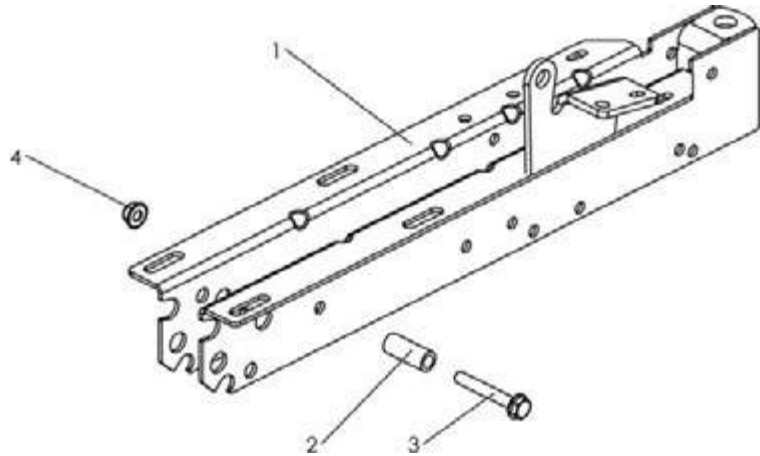


TF 225 / TF 325

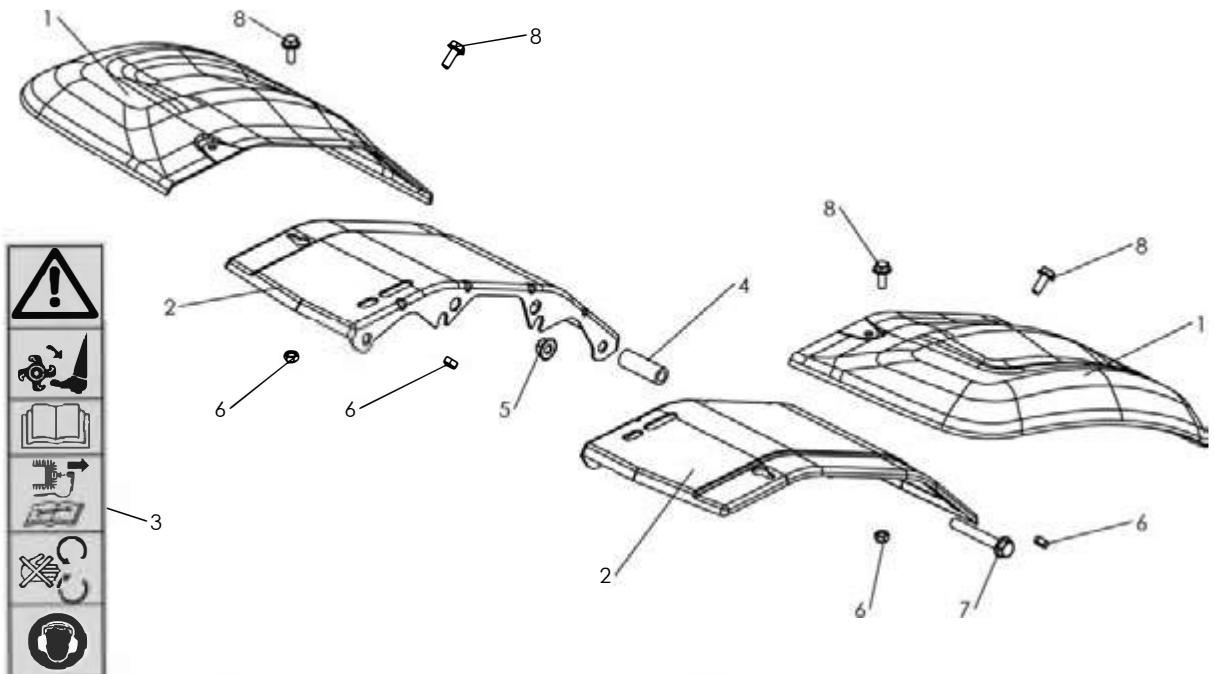
Spare parts

Pièces détachées

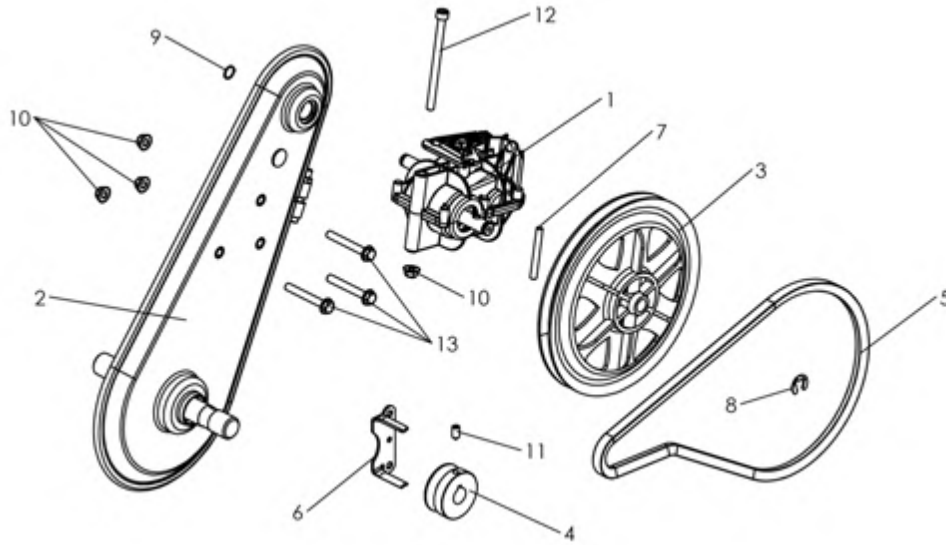




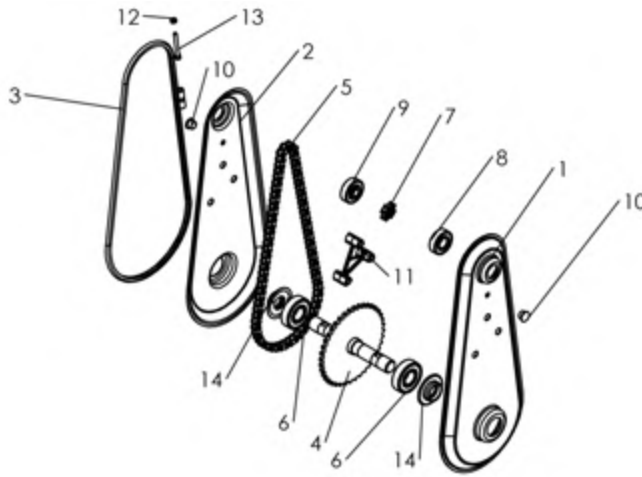
KEY NO.	PART NO.	REF.	DESCRIPTION	DESIGNATION	QTY QTE
1	590 17 09-01	3002170605	FRAME GREY 627	CHASSIS GRIS 627	1
2	575 36 10-01	0302020015	SPACER 14X9X35 Z	ENTRETOISE 14X9X35 Z	1
3	575 36 16-01	0300010837	SCREW H 8X55 Z NOTCHED SHOULDER	VIS H 8X55 Z EMB CR	1
4	586 72 10-01	0300210805	SCREW BDR HM8 SMOOTH BASE	ECROU BDR HM8 EMB LISSE	1



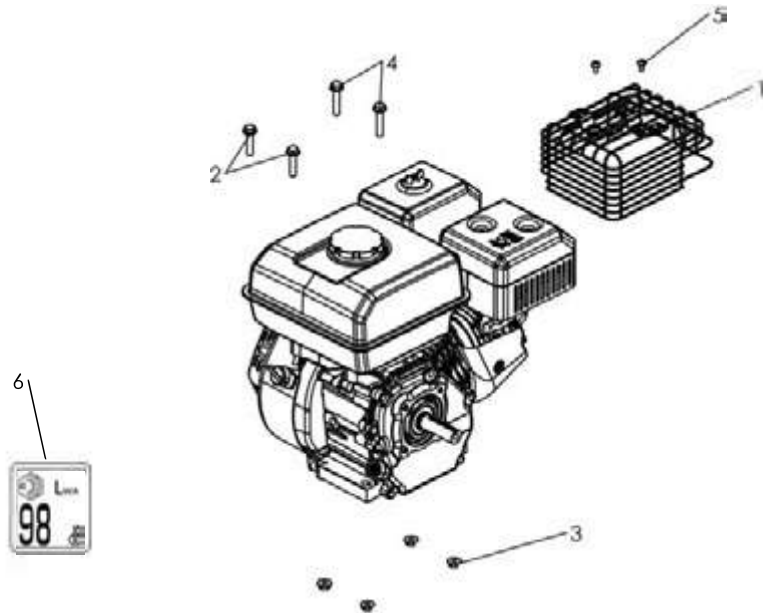
KEY NO.	PART NO.	REF.	DESCRIPTION	DESIGNATION	QTY QTE
1	590 17 10-01	3002335601	ADDITIONAL TINE GUARD ORANGE	TOLE ADDITIONNELLE ORANGE	2
2	590 17 11-01	3002000632	TINE GUARD GREY 627	TOLE PROTECTION GRIS 627	2
3	587 99 55-01	0503000094	STICKER SECURITY	ETIQ. "SECURITE"	1
4	590 17 12-01	0302020225	SPACER 8.2X14X41 Z	ENTR.ETOISE 14x8.2x41 Z	1
5	586 72 10-01	0300210805	SCREW BDR HM8 SMOOTH BASE	ECROU BDR HM8 EMB LISSE	1
6	732 26 16-01	0300210602	BLOCKING NUT M 6 Z	ECROU FREIN M 6 Z	4
7	575 36 16-01	0300010837	SCREW H 8X55 Z NOTCHED SHOULDER	VIS H 8X55 Z EMB CR FILETAGE PARTIEL	1
8	519 65 34-35	0300010609	SCREW HM 6X16 Z NOTCHED SHOULDER	VIS H 6X16 Z EMB CR	4



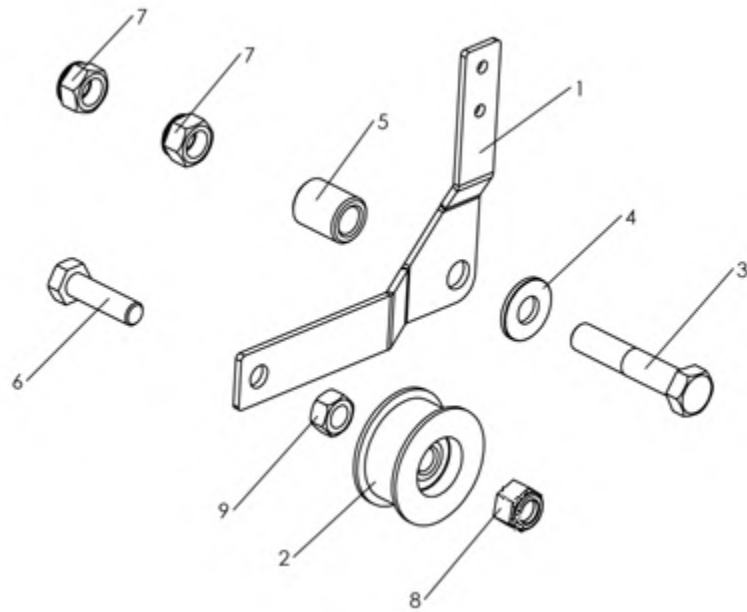
KEY NO.	PART NO.	REF.	DESCRIPTION	DESIGNATION	QTY QTE
1	588 42 12-01	8300000102	REVERSE GEAR BOX	INVERSEUR EVO	1
2	575 35 87-01	3001000027	TRANSMISSION GREY FLANGED	CART 1/5 JONC GRIS	1
3	519 65 30-60	0341000007	TRANSMISSION PULLEY	POULIE TRANSMISSION	1
4	544 24 39-01	0306060005	ENGINE PULLEY Ø55 BORE 19,06	POULIE MOT Ø55 ALES 19,06	1
5	575 36 02-01	0306030002	BELT	COURROIE	1
6	580 31 56-01	0304000303	DRIVE BELT ENGINE PULLEY	GUIDE COURROIE Ø55	1
7	519 65 30-67	0302010021	PULLEY PIN SHAFT	AXE FIXATION POULIE	1
8	580 31 42-01	0301070026	RADIAL RETAINING RING Ø12	ANNEAU ELASTIQUE RADIAL Ø12	1
9	519 65 34-66	0301070001	CIRCLIP E13	CIRCLIP EXTERIEUR 13	1
10	586 72 10-01	0300210805	SCREW BDR HM8 SMOOTH BASE	ECROU BDR HM8 EMB LISSE	4
11	728 69 23-00	0300040801	SCREW ST HC M8X16	VIS STHC 8X16 N BT POINTU	1
12	577 52 53-01	0300020806	SCREW CHC 8X110	VIS CHC 8X110	1
13	573 94 31-01	0300010842	SCREW H 8X60 NOTCHED SHOULDER	VIS H 8X60 Z EMB CR	3



KEY NO.	PART NO.	REF.	DESCRIPTION	DESIGNATION	QTY QTE
1	519 65 30-42	3002000313	LEFT TRANSMISSION HOUSING 1/5 BLACK	JOUE CARTER (Ø65) 1/5 G GAUCHE NOIR	1
2	519 65 30-41	3002000312	RIGHT TRANSMISSION HOUSING 1/5 BLACK	JOUE CARTER (Ø65) 1/5 D DROITE NOIR	1
3	590 17 13-01	3002005601	FLANGE 1/5 ORANGE	JONC CARTER 1/5 ORANGE	1
4	519 65 30-07	0306050010	BLADE SHAFT 1/5 Ø40 DTS 12.7	ARBRE TRAVAIL 1/5 SOUDE AVEC Ø40 DTS 12.7	1
5	575 36 23-01	0306020022	CHAIN (80 LINKS RSF) 08B	CHAÎNE ISO 08B-1 PAS 12.7mm "80 MAILLONS RSF (Marquée : "RSF")	1
6	519 65 30-53	0306010020	BALL BEARING 6305 2RS	ROULEMENT 6305 2RS	2
7	519 65 30-57	0306050016	PIGNON 8 TEETH 12.7	PIGNON 8 DTS 12.7	1
8	505 54 40-01	0306010024	SPECIAL BALL BEARING 6204 2RS	ROULEMENT SPECIAL TYPE 6204 2RS	1
9	531 00 85-46	0306010016	SPECIAL BALL BEARING 6204 2RS	ROULEMENT 6204 2RS EPAULE	1
10	519 65 33-91	0341000014	GREASE CAP	BOUCHON	2
11	585 36 55-01	0303000028	SPACER FOR 1/5 TRANSMISSION	ENTRETOISE 3PTS CARTER 1/5	1
12	732 26 16-01	0300210602	BLOCKING NUT M 6	ECROU FREIN M 6	1
13	501 96 38-01	0300020607	SCREW CHC 6X55	VIS CHC 6X55	1
14	531 00 85-76	0341000027	PLASTIC SEAL FOR TRANSMISSION	JOINT CARTER 1/5 NOIR	2



KEY NO	PART NO.	REF.	DESCRIPTION	DESIGNATION	HVA 225 /Quantité	HVA 325 /Quantité
1	590 17 15-01	0330092003	EXHAUST GRILL R180/R210	GRILLE ECHAPP R180/R210	1	-
2	544 20 73-01	0300010834	SCREW H 8X35 Z NOTCHED SHOULDER	VIS H 8X35 Z EMB CR	2	2
3	519 65 34-30	0300260801	NUT H M8 Z NOTCHED SHOULDER	ECROU HM 8 ZEMB CR	4	4
4	519 65 34-13	0300010817	SCREW H M8X40	VIS H 8X40 Z EMB CR	2	2
5	585 36 54-01	0300080501	POZIDRIVE SCREW M5X10 Z	VIS METAUX TCB POZI 5X10 Z	2	-
6	501 96 25-01	0503000079	STICKER NOISE LEVER '98db'	ETIQ. "NIVEAU DE BRUIT '98 dB"	1	1

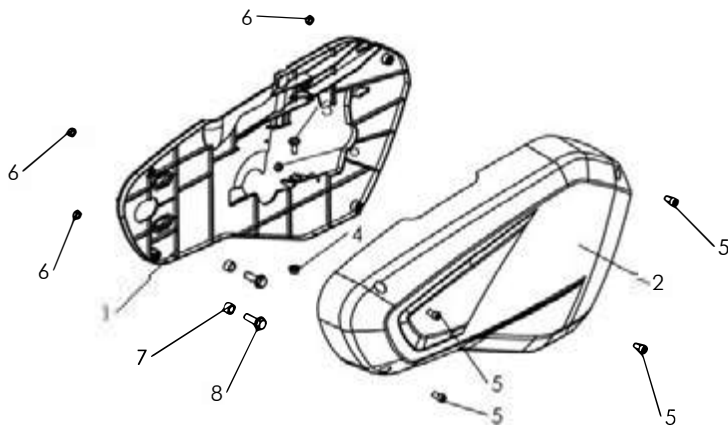


KEY NO.	PART NO.	REF.	DESCRIPTION	DESIGNATION	QTY QTE
1	519 65 34-07	3002000104	PLATE FOR CLUTCH LEVER	LEVIER EMBR	1
2	519 65 34-57	0341000003	CLUTCH RUNNER	GALET 2 EPAULEMENTS	1
3	575 36 18-01	0300011205	SCREW H M12X60 Z	VIS H 12X60 Z	1
4	519 65 34-53	0300401201	PLATE WASHER M 12X27X2.5 Z	RONDELLE PLATE M 12X27X2.5 Z	1
5	575 36 05-01	0302020020	CLUTCH LEVER SPACER	ENTRETOISE LEVIER EMBR	1
6	519 65 34-55	0300011003	SCREW HM 10X35 Z FST	VIS H 10X35 Z FST	1
7	752 25 50-51	0300211201	BLOCKING NUT M 12 Z	ECROU FREIN M 12 Z	2
8	519 65 34-58	0300211001	BLOCKING NUT M 10 Z	ECROU FREIN M 10 Z	1
9	519 65 34-56	0300201002	NUT HM 10 Z	ECROU H.U. M 10 Z	1

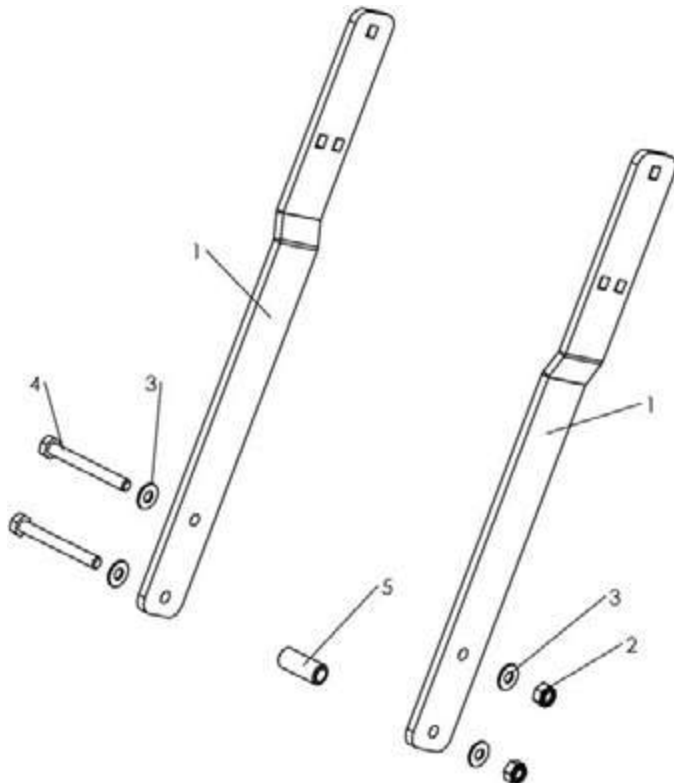
9 — **Husqvarna**

10 — **TF 225**

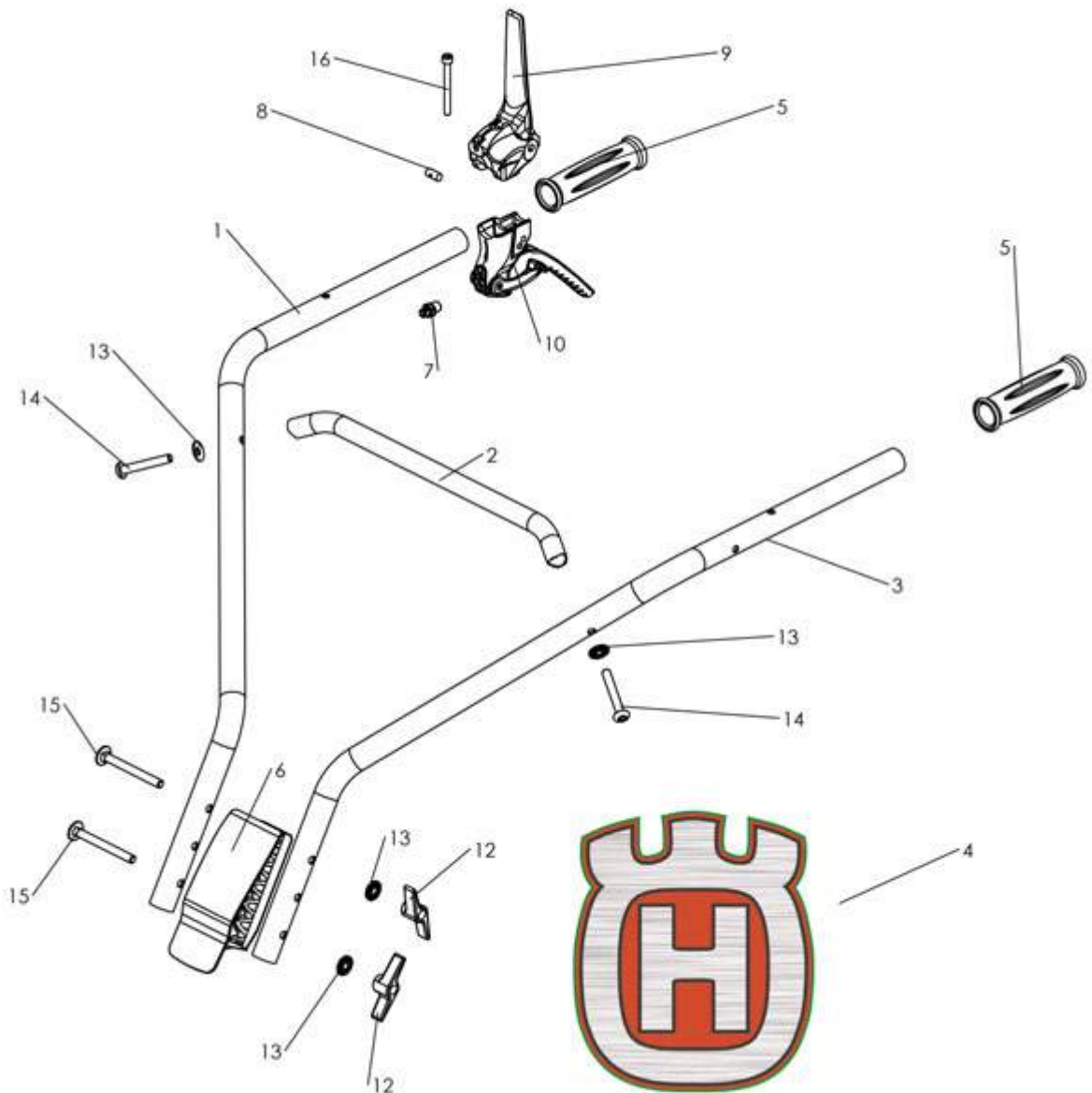
11 — **TF 325**



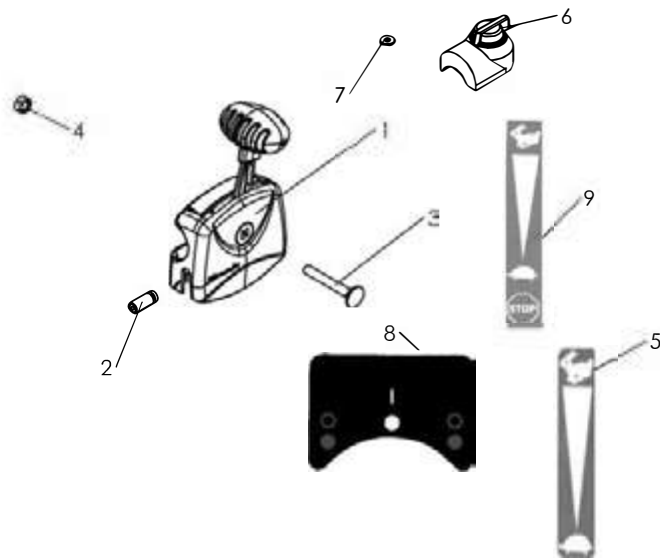
KEY NO.	PART NO.	REF.	DESCRIPTION	DESIGNATION	TF225 /Quantité	TF325 /Quantité
1	590 17 16-01	0340010207	PLASTIC COVER PLATE	CACHE INT CAPOT	1	1
2	590 17 17-01	0340010211	BELT COVER ORANGE	CAPOT COURROIE ORANGE	1	1
3	519 65 34-35	0300010609	SCREW HM 6X16 NOTCHED SHOULDER	VIS H 6X16 EMB CR	1	1
4	519 65 34-32	0300260601	NUT H M6 NOTCHED SHOULDER	ECROU HM 6 EMB CR	1	1
5	580 31 35-01	0300020608	SCREW CHC M6X12	VIS CHC 6X12	4	4
6	732 26 16-01	0300210602	BLOCKING NUT M 6	ECROU FREIN M 6	4	4
7	531 00 82-16	0302020010	SPACER 13X9X8.5	ENTRETOISE 13X9X8.5	2	2
8	573 94 25-01	0300010838	SCREW H 8X25 NOTCHED SHOULDER	VIS H 8X25 EMB CR	2	2
9	590 17 18-01	0503060031	STICKER HUSQVARNA	ETIQUETTE HUSQVARNA	1	1
10	590 17 20-01	0503060034	STICKER TF225	ETIQUETTE TF225	1	-
11	590 17 21-01	0503060035	STICKER TF325	ETIQUETTE TF325	-	1



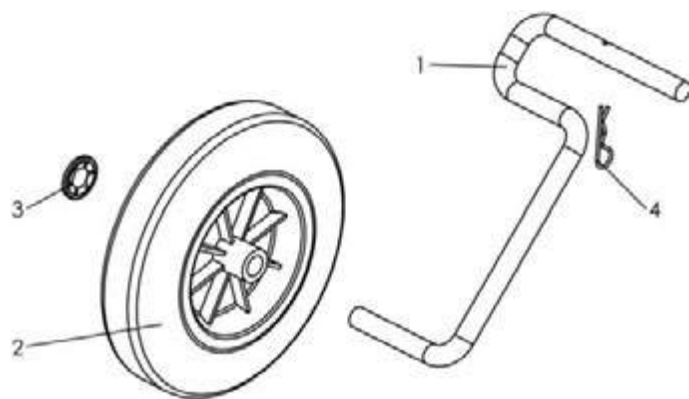
KEY NO.	PART NO.	REF.	DESCRIPTION	DESIGNATION	QTY QTE
1	590 16 16-01	3002180606	HANDLEBAR BRACKET GREY 627	PLAT POTENCE GRIS 627	2
2	544 20 79-01	0300210802	BLOCKING NUT HM 8 Z	ECROU FREIN M 8 Z	2
3	544 20 81-01	0300400802	PLATE WASHER M 8X18X1.5 Z	RONDELLE PLATE M 8X18X1.5 Z	4
4	575 36 17-01	0300010813	SCREW H 8X70	VIS H 8X70	2
5	575 36 09-01	0302020082	SPACER 9X14X34 Z	ENTRETOISE 14X9X34 Z	1



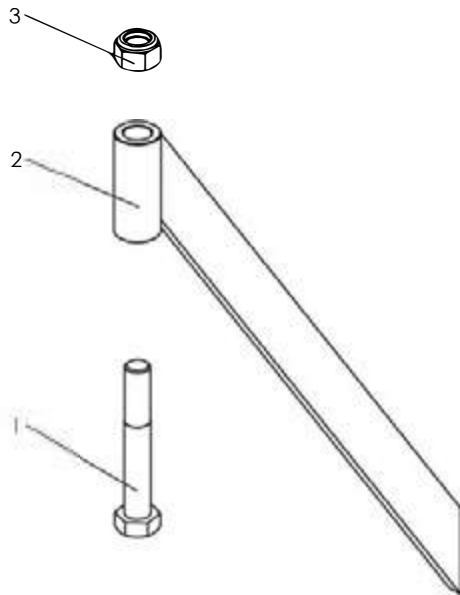
KEY NO.	PART NO.	REF.	DESCRIPTION	DESIGNATION	QTY QTE
1	590 17 25-01	3002000638	RIGHT HANDLEBAR GREY 627	GUIDON DROIT GRIS 627	1
2	590 17 26-01	3002000640	HANDLEBAR LINK TUBE GREY 627	TUBE LIAISON GUIDON GRIS 627	1
3	590 17 27-01	3002000639	LEFT HANDLEBAR GREY 627	GUIDON GAUCHE GRIS 627	1
4	590 16 07-01	0503060039	STICKER H	ETIQUETTE H	1
5	519 00 01-13	0341000036	HAND SIDE GRIP Ø25	POIGNEE PLASTI Ø25	2
6	590 16 20-01	0340010208	HANDLEBAR JUNCTION ORANGE	CACHE POTENCE ORANGE	1
7	577 46 37-01	0308020052	CLUTCH CABLE	CABLE EMBRAYAGE	1
8	590 17 29-01	0308010019	REVERSE GEAR CABLE	CABLE INVERSEUR	1
9	590 17 30-01	0307010078	REVERSE SPEED LEVER	MANETTE D'INVERSION DE MARCHE	1
10	577 46 36-01	0307010030	HANDLEVER	LEVIER EMBRAYAGE	1
11	544 31 11-01	0301060003	COLLAR	COLLIER	4
12	531 00 84-62	0300800004	BLACK HANDLEBAR TIGHTENING LEVER	POIGNEE SERRAGE	2
13	544 31 49-01	0300430801	CONTACT WASHER 8	RONDELLE CONTACT M8	4
14	590 16 18-01	0300100802	SCREW BHC 8X55	VIS BHC 8X55	2
15	575 36 13-01	0300080802	SCREW TRCC M8X80 Z	VIS TRCC 8X80 Z	2
16	590 17 31-01	0300020616	SCREW CHC M6X65	VIS CHC M6X65	1



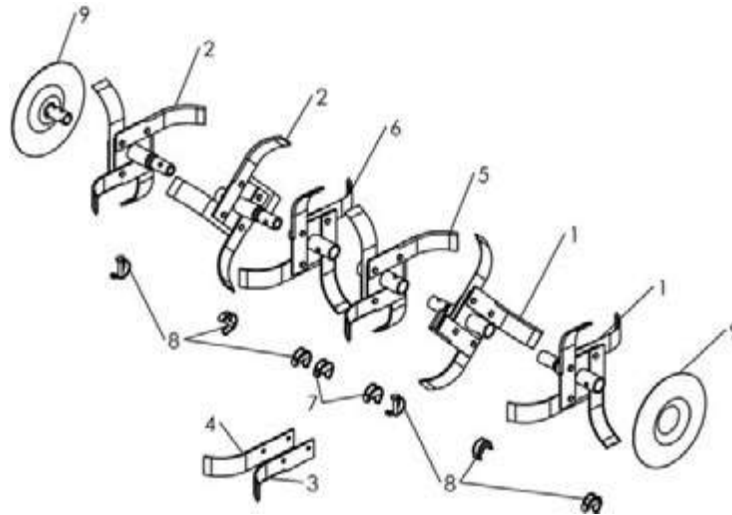
KEY NO.	PART NO.	REF.	DESCRIPTION	DESIGNATION	HVA TF225 /Qte	HVA TF325 /Qte
1	577 45 30-01	0307020023	THROTTLE LEVER	MANETTE GAZ	1	1
2	577 52 50-01	0308040050	THROTTLE CABLE	CABLE GAZ	1	1
3	577 45 38-01	0300080610	SCREW TRCC 6X45 Z	VIS TRCC 6X45 Z	1	1
4	732 26 16-01	0300210602	BLOCKING NUT M 6 Z	ECROU FREIN M 6 Z	1	1
5	531 00 82-51	0503000043	LABEL THROTTLE	ETIQ. GAZ	1	-
6	577 51 77-01	0330062001	SWITCH ON/OFF	SWITCH ON/OFF	1	-
7	531 00 85-39	0300400301	WASHER M 3.2X10X1 Z	RONDELLE PLATE 3.2X10X1 Z	1	-
8	501 96 37-01	0503000031	STICKER SWITCH ON-OFF	ETIQ. MARCHE-ARRET	1	-
9	519 64 66-80	0503000045	STICKER THROTTLE CONTROL	ETIQ. POIGNEE GAZ	-	1



KEY NO.	PART NO.	REF.	DESCRIPTION	DESIGNATION	QTY QTE
1	577 44 80-01	3002000107	TRANSPORT WHEEL SUPPORT WIRE Ø14	SUPPORT ROUE FIL Ø14	1
2	577 44 78-01	0309000030	BLACK WHELL Ø200 BORE 14	ROUE Ø200 ALES 14	1
3	577 46 31-01	0300461401	STARLOCK WASHER Ø14	RONDELLE STARLOCK Ø14	1
4	519 65 12-20	0301030001	CLIP PIN BETA 2 Z	GOUPILLE BETA 2 Z	1



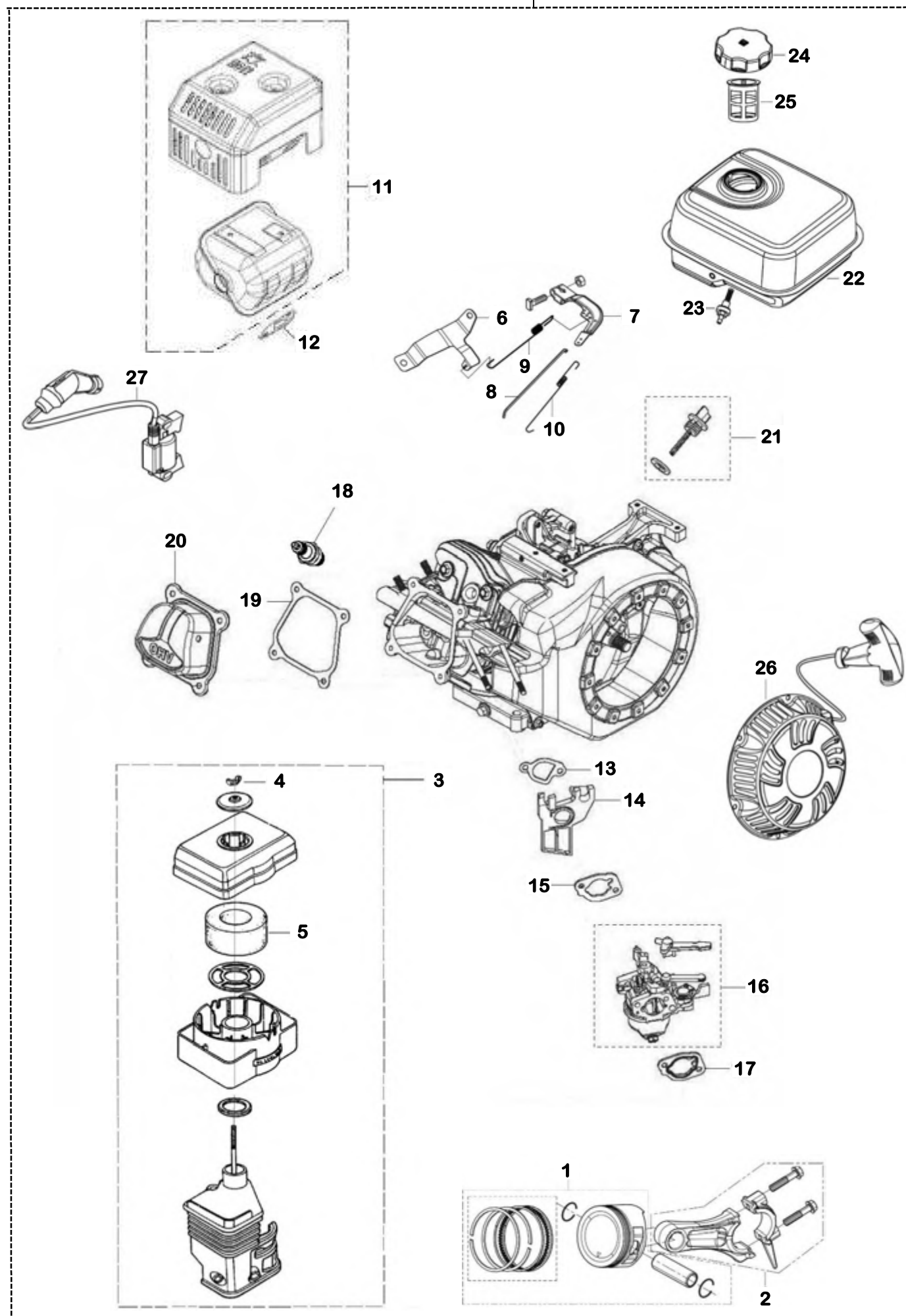
KEY NO.	PART NO.	REF.	DESCRIPTION	DESIGNATION	QTY QTE
1	531 00 82-20	0300011401	SCREW H M14X90-34 Z	VIS H 14X90/34 Z	1
2	531 00 82-06	3002000302	BLACK SPUR	EPERON NOIR	1
3	531 00 85-78	0300211402	BLOCKING NUT M 14 Z	ECROU FREIN M14 Z	1



KEY NO.	PART NO.	REF.	DESCRIPTION	DESIGNATION	QTY QTE
1	531 00 82-14	0320010016	LEFT ADDITIONAL TINE Ø25 STRAIGHT BLADE (40X4)	FRAISE ADDIT STD 40X4 GAUCHE	2
2	531 00 82-15	0320010015	RIGHT ADDITIONAL TINE Ø25 STRAIGHT BLADE (40X4)	FRAISE ADDIT STD 40X4 DROIT	2
3	519 65 34-47	0001000021	BLADE LH 40X4	COUTEAU PRIMO 40X4 GAUCHE	1
4	519 65 34-48	0001000020	BLADE RH 40X4	COUTEAU PRIMO 40X4 DROITE	1
5	531 00 82-11	0320010014	LEFT TINE REMOVABLE Ø25 STRAIGHT BLADE (40X4)	FRAISE DEPART DEM STD 40X4 GAUCHE	1
6	531 00 82-13	0320010013	RIGHT TINE REMOVABLE Ø25 STRAIGHT BLADE (40X4)	FRAISE DEPART DEM STD 40X4 DROIT	1
7	577 45 36-01	0301010014	CLIP PIN Ø10X36	GOUPILLE CLIPS 10X36	2
8	577 45 35-01	0301010013	CLIP PIN Ø8X36	GOUPILLE CLIPS 8X36	6
9	590 17 33-01	0320010003	DISK D25 GREY 627	DISQUE D25 GRIS 627	2

R180 ENGINE

28



N°	Article	PUBERT Reference	Description	Qty
1	590 39 24-01	0001210014	KIT CYLINDER	1
2	590 39 25-01	0001180012	ROD, CONNECTING	1
3	590 39 26-01	0001210117	AIR CLEANER ASSY (OIL BATH)	1
4	590 39 28-01	0001060037	BUTTERFLY NUT	1
5	590 39 29-01	0001060034	CLEANER ELEMENT	1
6	577 47 11-01	0001180032	ROD GOVERNOR	1
7	590 39 30-01	0001000222	SPRING, THROTTLE VALVE RETURNING	1
8	577 47 06-01	0001060023	SPRING GOVERNOR	1
9	577 47 09-01	0001180046	GOVERNOR	1
10	577 47 05-01	0001180045	THROTTLE CONTROL ASSY	1
11	590 39 31-01	0001210020	MUFFLER	1
12	577 46 99-01	0001180004	MUFFLER EXHAUST GASKET	1
13	577 47 01-01	0001180024	INSULATOR GASKET	1
14	577 47 02-01	0001180023	PLATE INSULATOR	1
15	577 47 19-01	0001180022	CARBURETOR GASKET	1
16	590 39 34-01	0001180020	CARBURETOR	1
17	577 46 91-01	0001180021	AIR CLEANER GASKET	1
18	577 46 93-01	9501000304	SPARK PLUG	1
19	577 46 87-01	0001180002	HEAD CYLINDER COVER GASKET	1
20	590 39 36-01	0001210001	HEAD CYLINDER COVER	1
21	577 46 94-01	0001180008	OIL DIPSTICK	1
22	590 39 37-01	0001210009	FUEL TANK	1
23	590 39 17-01	0001180036	FUEL TANK OUTLET	1
24	577 47 18-01	0001180037	FUEL TANK COVER	1
25	577 47 41-01	0001180039	FUEL STRAINER	1
26	590 39 40-01	0001210010	STARTER ASSY, RECOIL	1
27	577 47 04-01	0001180025	IGNITION COIL	1
28	590 39 42-01	0330091004	R180 ENGINE	1