



Husqvarna®



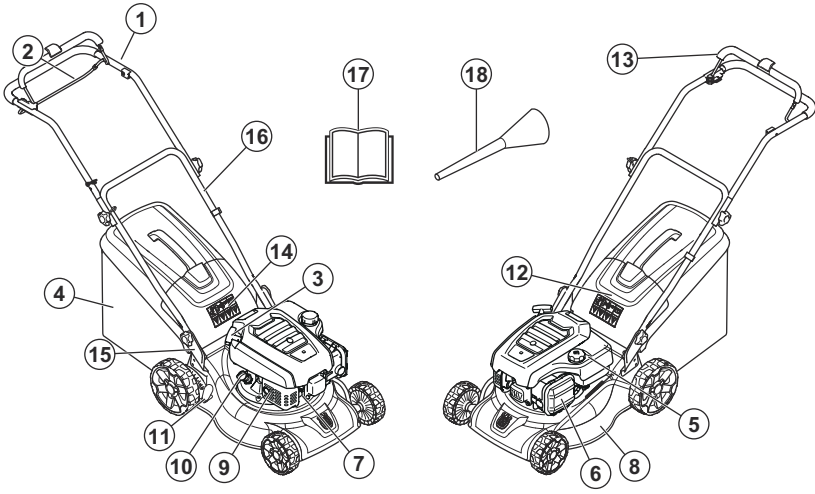
LC 140P, LC 140SP



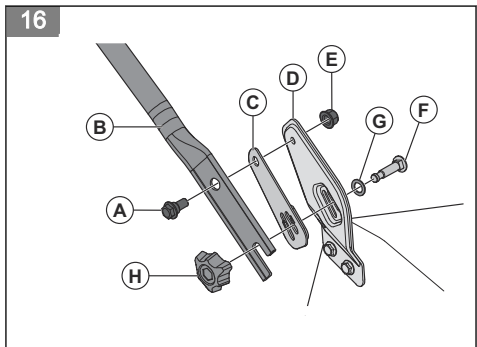
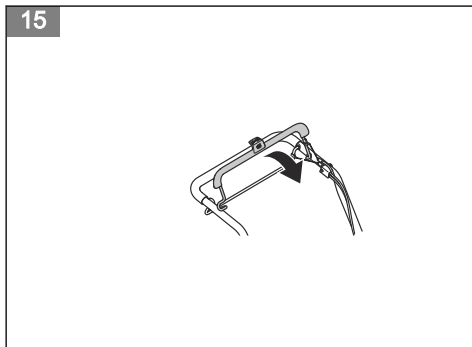
| | | |
|----|-----------------------------|---------|
| EN | Operator's manual | 7-18 |
| BG | Ръководство за експлоатация | 19-32 |
| CS | Návod k použití | 33-45 |
| DA | Bruksanvisning | 46-58 |
| DE | Bedienungsanweisung | 59-72 |
| EL | Οδηγίες χρήσης | 73-86 |
| ES | Manual de usuario | 87-99 |
| ET | Kasutusjuhend | 100-111 |
| FI | Käyttöohje | 112-123 |
| FR | Manuel d'utilisation | 124-136 |
| HR | Priručnik za korištenje | 137-148 |
| HU | Használati utasítás | 149-161 |
| IT | Manuale dell'operatore | 162-174 |
| JA | 取扱説明書 | 175-187 |
| LT | Operatoriaus vadovas | 188-199 |
| LV | Lietošanas pamācība | 200-212 |
| NL | Gebruiksaanwijzing | 213-225 |
| NO | Bruksanvisning | 226-237 |
| PL | Instrukcja obsługi | 238-251 |
| PT | Manual do utilizador | 252-265 |
| RO | Instrucțiuni de utilizare | 266-278 |
| RU | Руководство по эксплуатации | 279-292 |
| SK | Návod na obsluhu | 293-305 |
| SL | Navodila za uporabo | 306-317 |
| SR | Priručnik za rukovaoca | 318-329 |
| SV | Bruksanvisning | 330-341 |
| TR | Kullanım kılavuzu | 342-353 |
| UK | Посібник користувача | 354-367 |
| ZH | 操作手册 | 368-378 |

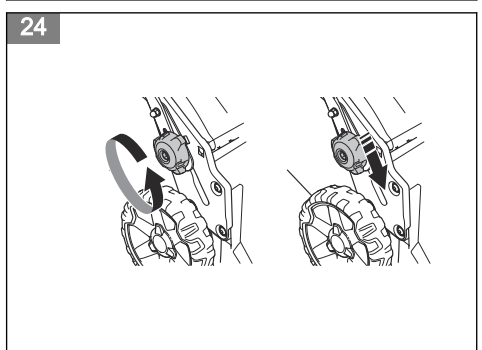
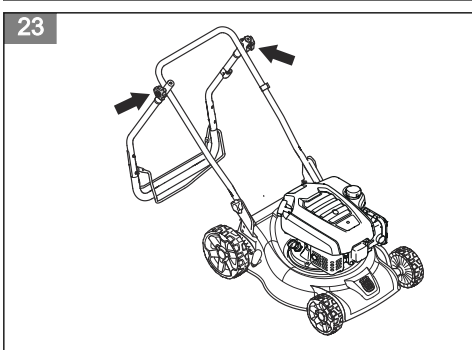
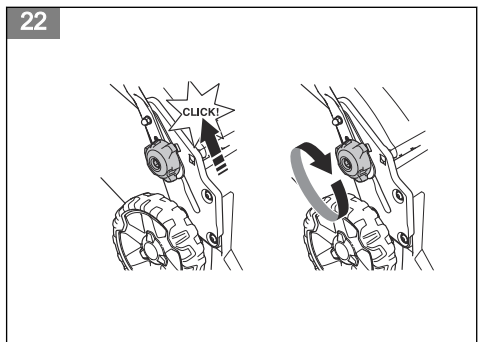
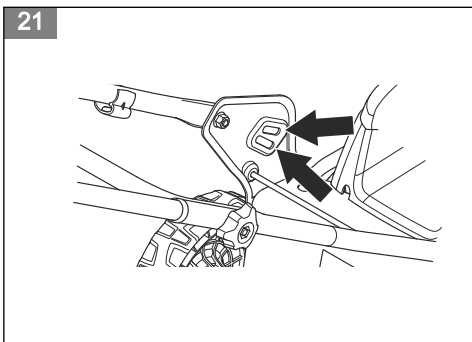
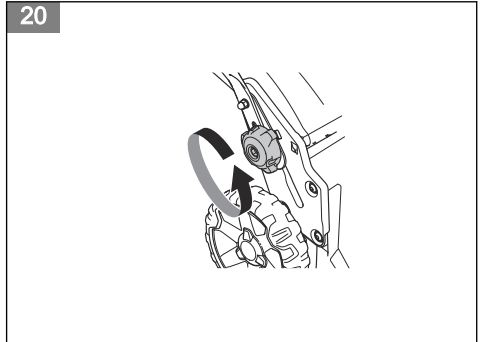
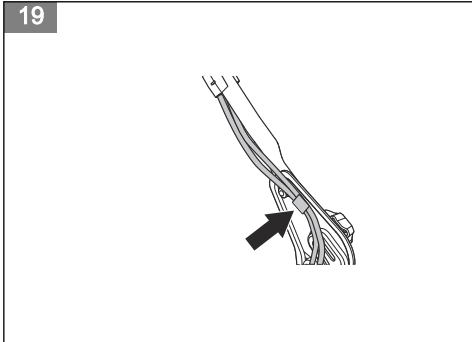
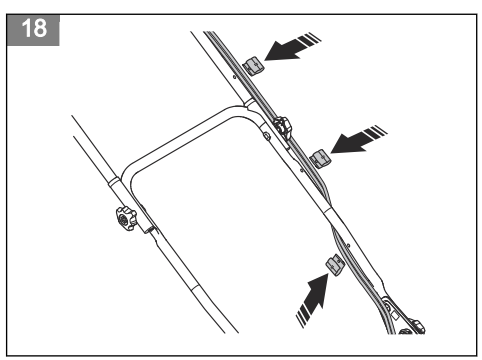
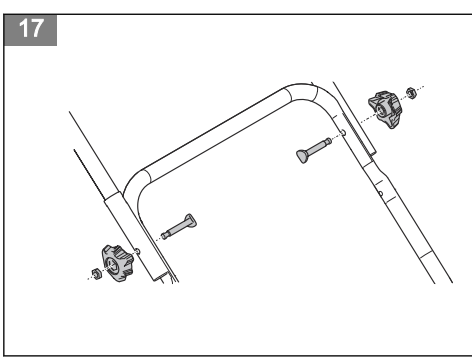
LC 140SP

LC 140P

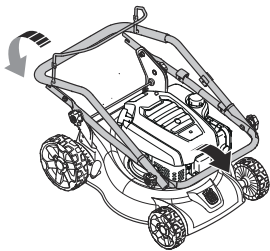


| | | | | | |
|----|---|----|----|----|----|
| 2 | 3 | 4 | 5 | 6 | 7 |
| 8 | 9 | 10 | 11 | 12 | 13 |
| 14 | | | | | |

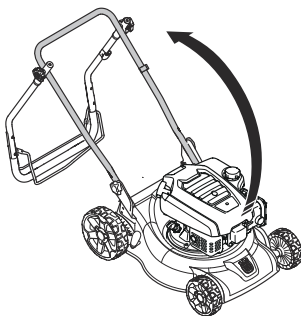




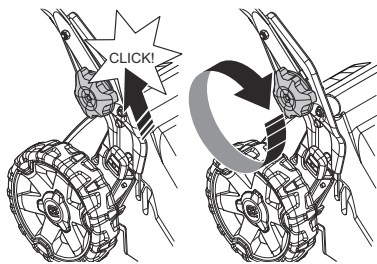
25



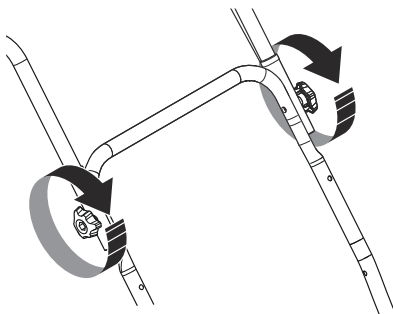
26



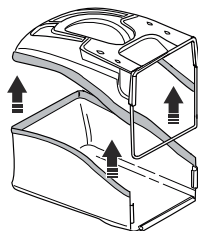
27



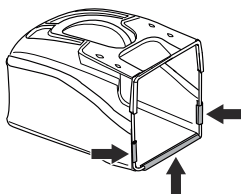
28



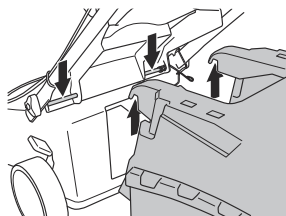
29



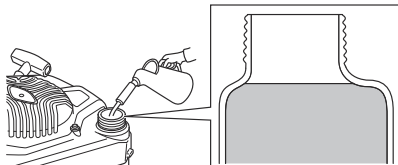
30



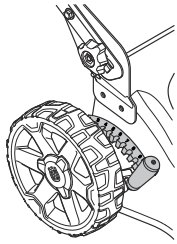
31



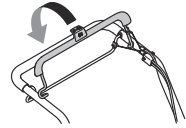
32



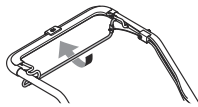
33



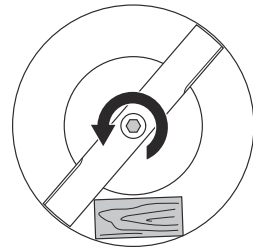
34



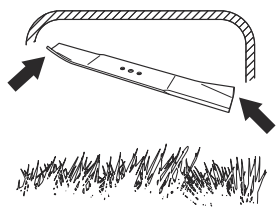
35



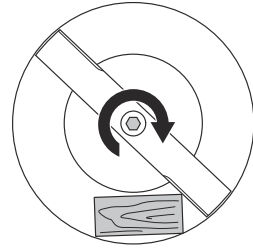
36



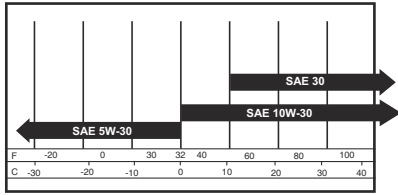
37



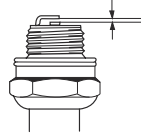
38



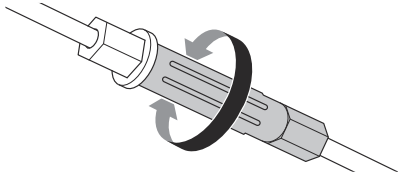
39



40



41



Contents

| | | | |
|-------------------|----|---|----|
| Introduction..... | 7 | Engine troubleshooting..... | 15 |
| Safety..... | 8 | Transportation, storage and disposal..... | 16 |
| Assembly..... | 10 | Technical data..... | 16 |
| Operation..... | 11 | EC Declaration of Conformity..... | 18 |
| Maintenance..... | 12 | | |

Introduction

Product description

The product is a pedestrian-controlled rotary lawn mower. The grass is collected in a grass catcher. Remove the grass catcher to get rear discharge of the grass.

Product overview

(Fig. 1)

1. Handle / handlebar
2. Drive bail (LC 140SP)
3. Starter rope handle
4. Grass catcher
5. Fuel tank
6. Air filter
7. Spark plug
8. Cutting cover
9. Muffler
10. Oil tank cap
11. Cutting height lever
12. Rear cover
13. Engine brake handle
14. Symbols
15. Lower handle assembly
16. Lower handle
17. Operator's manual
18. Oil funnel

Symbols on the product

- (Fig. 2) **WARNING!** Be careful and use the product correctly. This product can cause serious injury or death to the operator or others.
- (Fig. 3) Please read the operator's manual carefully and make sure that you understand the instructions before use.
- (Fig. 4) Look out for thrown objects and ricochets.
- (Fig. 5) Keep persons and animals at a safe distance from the work area.
- (Fig. 6) **Warning:** Keep hands and feet away from the rotating blade.

Intended use

Use the product to cut grass. Do not use the product for other tasks.

- (Fig. 7) **Warning:** Keep hands and feet away from rotating parts.
- (Fig. 8) Stop the engine and remove the ignition cable before repairs or maintenance.
- (Fig. 9) This product is in accordance with applicable EC directives.
- (Fig. 10) Noise emission to the environment according to the European Community's Directive. The product's emission is specified in the Technical data chapter and on the label.
- (Fig. 11) Risk of fire.
- (Fig. 12) Do not breathe in exhaust fumes. The exhaust fumes from the engine contain carbon monoxide, an odourless, poisonous and very dangerous gas. Do not start the engine indoors or in closed spaces.
- (Fig. 13) Hot surface.
- (Fig. 14) Fill the engine with oil before you start the product..

Note: Other symbols/decals on the product refer to certification requirements for some commercial areas.

Euro V Emissions



WARNING: Tampering with the engine voids the EU type-approval of this product.

Product liability

As referred to in the product liability laws, we are not liable for damages that our product causes if:

- the product is incorrectly repaired.
- the product is repaired with parts that are not from the manufacturer or not approved by the manufacturer.

- the product has an accessory that is not from the manufacturer or not approved by the manufacturer.
- the product is not repaired at an approved service center or by an approved authority.

Safety

Safety definitions

Warnings, cautions and notes are used to point out specially important parts of the manual.



WARNING: Used if there is a risk of injury or death for the operator or bystanders if the instructions in the manual are not obeyed.



CAUTION: Used if there is a risk of damage to the product, other materials or the adjacent area if the instructions in the manual are not obeyed.

Note: Used to give more information that is necessary in a given situation.

- Keep children away from the work area. A responsible adult must be there at all times.
- Do not let a person, without knowledge of the instructions, operate the product.
- Always monitor a person, with decreased physical capacity or mental capacity, that uses the product. A responsible adult must be there at all times.
- Do not use the product if you are tired, ill, or under the influence of alcohol, drugs or medicine. This has a negative effect on your vision, alertness, coordination and judgment.
- Do not use the product if it is defective.
- Do not change this product or use it if it is possible that it has been changed by others.
- Do not change the adjustment for the engine speed control.

General safety instructions



WARNING: Read the warning instructions that follow before you use the product.

- This product is dangerous if used incorrectly or if you are not careful. Injury or death can occur if you do not obey the safety instructions.
- This product produces an electromagnetic field during operation. This field may under some circumstances interfere with active or passive medical implants. To reduce the risk of serious or fatal injury we recommend persons with medical implants to consult their physician and the medical implant manufacturer before operating this product.
- Always be careful and use your common sense. If you are not sure how to operate the product in a special situation, stop and speak to your Husqvarna dealer before you continue.
- Keep in mind that the operator will be held responsible for accidents that involve other persons or their property.
- Keep the product clean. Make sure that you can clearly read signs and decals.
- Do not let a person use the product unless you make sure that they read and understand the contents of the operator's manual.
- Do not let a child operate the product.

Work area safety



WARNING: Read the warning instructions that follow before you use the product.

- Remove objects such as branches, twigs and stones from the work area before you use the product.
- Objects that hit against the cutting equipment can eject and cause damage to persons and objects. Keep bystanders and animals at a safe distance from the product.
- Never use the product in bad weather such as fog, rain, strong winds, intense cold and risk of lightning. To use the product in bad weather or in moist or wet locations is tiring. Bad weather can cause dangerous conditions, such as slippery surfaces.
- Look out for persons, objects and situations that can prevent safe operation of the product.
- Look out for obstacles, such as roots, stones, twigs, pits and ditches. Long grass can hide obstacles.
- To cut grass on slopes can be dangerous. Do not use the product on ground that slopes more than 15°.
- Operate the product across the face of slopes. Do not move up and down.
- Be careful when you go near hidden corners and objects that prevent a clear view.

Work safety



WARNING: Read the warning instructions that follow before you use the product.

- Use this product to cut grass lawns only. It is not permitted to use it for other tasks.
- Use personal protective equipment. Refer to *Personal protective equipment on page 9*.
- Make sure that you know how to stop the engine quickly in an emergency.
- Never start the engine in a closed space or near flammable material. The exhaust fumes from the engine are hot and can contain sparks which can start a fire.
- Do not operate the product unless the blade and all covers are attached correctly. An incorrectly attached blade can come loose and cause personal injury.
- Make sure that the blade does not hit objects such as stones and roots. This can do damage to the blade and bend the engine shaft. A bent axle causes heavy vibration and a very high risk that the blade becomes loose.
- If the blade hits an object or if vibrations occur, stop the product immediately. Disconnect the ignition cable from the spark plug. Examine the product for damages. Repair damages or let an authorised service agent do the repair.
- Never attach the engine brake handle permanently to the handle when the engine is started.
- Put the product on a stable, flat surface and start it. Make sure that the blade does not hit the ground or other objects.
- Always stay behind the product when you operate it.
- Let all the wheels stay on the ground and keep 2 hands on the handle when you operate the product. Keep your hands and feet away from the rotating blades.
- Do not tilt the product when the engine is started.
- Be careful when you pull the product rearward.
- Never lift up the product when the engine is started. If you must lift the product, first stop the engine and disconnect the ignition cable from the spark plug.
- Do not walk rearward when you operate the product.
- Stop the engine when you move across areas without grass, for example paths made of gravel, stone and asphalt.
- Do not run with the product when the engine is started. Always walk when you operate the product.
- Stop the engine before you change the cutting height. Never make adjustments with the engine started.
- Never let the product stay out of view with the engine started. Stop the engine and make sure that the cutting equipment does not rotate.

Safety instructions for operation

Personal protective equipment



WARNING: Read the warning instructions that follow before you use the product.

- Personal protective equipment cannot fully prevent injury but it decreases the degree of injury if an accident does occur. Let your dealer help you select the right equipment.
- Use hearing protection if the noise level is higher than 85 dB.
- Use heavy-duty slip-resistant boots or shoes. Do not use open shoes or go with bare feet.
- Use heavy, long pants.
- Use protective gloves when necessary, for example when you attach, examine or clean the cutting equipment.

Safety devices on the product



WARNING: Read the warning instructions that follow before you use the product.

- Do not use a product with defective safety devices.
- Do a check of the safety devices regularly. If the safety devices are defective, speak to your Husqvarna service agent.

To do a check of the cutting cover

The cutting cover decreases vibrations in the product and decreases the risk of injury from the blade.

- Examine the cutting cover to make sure that there are no damages such as cracks.

To do a check of the engine brake handle

The engine brake handle stops the engine. When the engine brake handle is released, the engine stops.

- Start the engine and then release the engine brake handle. If the engine does not stop in 3 seconds, let an approved Husqvarna service agent adjust the engine brake. (Fig. 15)

Muffler

The muffler keeps the noise levels to a minimum and sends the exhaust fumes away from the operator.

Do not use the product if the muffler is missing or defective. A defective muffler increases the noise level and the risk of fire.



WARNING: The muffler becomes very hot during and after use and when the engine operates at idle speed. Be careful near

flammable materials and/or fumes to prevent fire.

- Move the product a minimum of 3 m / 10 ft from the position where you filled the tank before a start.
- Do not fill the fuel tank fully. Heat causes the fuel to expand. Keep a space at the top of the fuel tank.

Fuel safety



WARNING: Read the warning instructions that follow before you use the product.

- Do not start the product if there is fuel or engine oil on the product. Remove the unwanted fuel/oil and let the product dry.
- If you spill fuel on your clothing, change clothing immediately.
- Do not get fuel on your body, it can cause injury. If you get fuel on your body, use soap and water to remove the fuel.
- Do not start the product if the engine has a leak. Examine the engine for leaks regularly.
- Be careful with fuel. Fuel is flammable and the fumes are explosive and can cause injuries or death.
- Do not breathe in the fuel fumes, it can cause injury. Make sure that there is a sufficient airflow.
- Do not smoke near the fuel or the engine.
- Do not put warm objects near the fuel or the engine.
- Do not add the fuel when the engine is on.
- Make sure that the engine is cool before you refuel.
- Before you refuel, open the fuel tank cap slowly and release the pressure carefully.
- Do not add fuel to the engine in an indoor area. Not sufficient airflow can cause injury or death because of asphyxiation or carbon monoxide.
- Tighten the fuel tank cap fully. If the fuel tank cap is not tightened, there is a risk of fire.



WARNING: Read the warning instructions that follow before you use the product.

- The exhaust fumes from the engine contain carbon monoxide, an odourless, poisonous and very dangerous gas. Do not start the engine indoors or in closed spaces.
- Before you do the maintenance on the product, stop the engine and remove the ignition cable from the spark plug.
- Use protective gloves when you do maintenance on the cutting equipment. The blade is very sharp and cuts can easily occur.
- Accessories and changes to the product that are not approved by the manufacturer, can cause serious injury or death. Do not change the product. Always use accessories that are approved by the manufacturer.
- If the maintenance is not done correctly and regularly, the risk of injury and damage to the product increases.
- Only do the maintenance as given in this owner's manual. All other servicing must be done by an approved Husqvarna service agent.
- Let an approved Husqvarna service agent do servicing on the product regularly.
- Replace damaged, worn or broken parts.

Assembly

To assemble the handle

1. Push the screw (A) through the handle (B), the plastic washer (C) and the handle support bracket (D). (Fig. 16)
2. Tighten the nut (E) fully.
3. Push the screw (F) through the washer (G) and the handle support bracket.
4. Tighten the knob (H) fully.
5. Align the holes in the handlebar with the holes in the lower handle and attach the screws, washers and knobs. Tighten the knobs fully. (Fig. 17)
6. Attach the cables to the handle with the cable holders. (Fig. 18)

Note: Make sure that the tension in the cables is not too high. A too high tension can cause damage to the cable if the handle is folded to transport position.

7. Put the cables around the hook at the bottom of the handle. (Fig. 19)

To adjust the handle height

1. Loosen the lower knobs. (Fig. 20)
2. Remove the knob, washer, and screw on the left and the right side.
3. The handle can be set to 2 different heights. Put the screw in one of the 2 holes on the left and the right side. (Fig. 21)
4. Attach the screws, washers and knobs.
5. Move the knobs up in the direction of the handle until they stop and you hear a click. Tighten the knobs fully. (Fig. 22)

To set the product in transport position

1. Remove the grass catcher.
2. Loosen the knobs on the upper handle and fold the handle down. (Fig. 23)

- Loosen the lower knobs.
- Move the knobs to the lower end of the grooves on the left and the right side of the product. (Fig. 24)
- Fold the handle forward. (Fig. 25)

To set the product in operation position

- Lift the handlebar until the lower handle locks in operation position. (Fig. 26)
- Move the knobs up in the direction of the handle until they stop and you hear a click.
- Tighten the knobs fully. (Fig. 27)
- Lift the top part of the handlebar.

- Tighten the knobs fully. (Fig. 28)

To assemble the grass catcher

- Put the top part of the grass catcher onto the lower part of the grass catcher. (Fig. 29)
- Attach the grass catcher frame with the clips. (Fig. 30)
- Lift the rear cover.
- Attach the hooks on the grass catcher to the top edge of the chassis. (Fig. 31)
- Put the lower part of the grass catcher into the grass discharge channel.

Operation

Introduction



WARNING: Before you operate the product, you must read and understand the safety chapter.

Husqvarna Connect

Husqvarna Connect is a free app for your mobile device. The Husqvarna Connect app gives extended functions for your Husqvarna product:

- Extended product information.
- Information about, and help with, product parts and servicing.

To start to use Husqvarna Connect

- Download the Husqvarna Connect app on your mobile device.
- Register in the Husqvarna Connect app.
- Do the instruction steps in the Husqvarna Connect app to connect and register the product.

Before you operate the product

- Read the operator's manual carefully and make sure that you understand the instructions.
- Examine the cutting equipment to make sure that it is correctly attached and adjusted. See *To examine the cutting equipment on page 13*.
- Fill the fuel tank. See *To fill fuel on page 11*.
- Fill the oil tank and do a check of the oil level. See *To do a check of the oil level on page 14*.

To fill fuel

If available, use gasoline with a low emission grade/alkylate fuel. If gasoline with a low emission grade/alkylate fuel is not available, use good quality unleaded gasoline or leaded gasoline with octane number not less than 91.



CAUTION: Do not use gasoline with an octane number less than 91 RON. This can cause damage to the product.



CAUTION: Replace the fuel filter yearly or more frequently if it is necessary. A new fuel filter is available at your Husqvarna dealer.



CAUTION: Always stop the engine before you fill fuel.



CAUTION: Do not use pressurized starting fluids.

- Open the fuel tank cap slowly to release the pressure.
- Fill slowly with a fuel can. If you spill fuel, remove it with a cloth and let remaining fuel dry off. (Fig. 32)
- Clean the area around the fuel tank cap.
- Tighten the fuel tank cap fully. If the fuel tank cap is not tightened, there is a risk of fire.
- Move the product a minimum of 3 m / 10 ft from the position where you filled the tank before a start.

To set the cutting height

- Move the cutting height lever rearward to increase the cutting height.
- Move the cutting height lever forward to decrease the cutting height. (Fig. 33)



CAUTION: Do not set the cutting height too low. The blades can hit the ground if the surface of the lawn is not level.

To start the product

1. Make sure that the ignition cable is connected to the spark plug.
2. Stay behind the product.
3. Hold the engine brake handle against the handlebar. (Fig. 34)
4. Hold the starter rope handle with your right hand.
5. Slowly pull out the starter rope until you feel some resistance.
6. Pull with force to start the engine.



WARNING: Do not twist the starter rope around your hand.

To use the drive on the wheels

- Push the drive bail in the direction of the handlebar. (Fig. 35)
- Release the drive bail to disengage the drive, for example when you go near an obstacle.

- Before you pull the product rearward, disengage the drive and push the product forward approximately 10 cm.

To stop the product

- To stop the drive only, release the drive bail.
- To stop the engine, release the engine brake handle.

To get a good result

- Always use a sharp blade. A blunt blade gives an irregular result and the cut surface of the grass becomes yellow. A sharp blade also uses less energy than a blunt blade.
- Do not cut more than $\frac{1}{3}$ of the length of the grass. Cut first with the cutting height set high. Examine the result and lower the cutting height to an applicable level. If the grass is very long, drive slowly and cut 2 times if necessary.
- Cut in different directions each time to prevent stripes in the lawn.

Maintenance

Introduction



WARNING: Before you do maintenance, you must read and understand the safety chapter.

For all servicing and repair work on the product, special training is necessary. We guarantee the availability of professional repairs and servicing. If your dealer is not a service agent, speak to them for information about the nearest service agent.

Maintenance schedule



CAUTION: Make sure that the air filter is up and not against the ground when you tilt the product. Risk of engine damage.

The maintenance intervals are calculated from daily use of the product. The intervals change if the product is not used daily.

For maintenance identified with * refer to instructions in *Safety devices on the product on page 9*.

| Maintenance | Daily | Monthly | Each season |
|---|-------|---------|-------------|
| Do a general inspection | X | | |
| Examine the oil level | X | | |
| Replace the oil (the first time after 5 h of use, then after each 50 h of use) ¹ | | | X |
| Clean the product | X | | |
| Examine the cutting equipment | X | | |
| Examine the cutting cover * | X | | |
| Examine the engine brake handle * | X | | |
| Examine the muffler * | | X | |

¹ If the product is operated with heavy load or in high ambient temperatures, replace the engine oil each 25 hours.

| Maintenance | Daily | Monthly | Each season |
|--|-------|---------|-------------|
| Examine the spark plug. Clean or replace the spark plug if it is necessary | | | X |
| Examine the air filter | X | | |
| Clean the air filter ² | | X | |
| Replace the air filter | | | X |
| Examine the fuel system | | | X |
| Clean the cooling fins on the cylinder | | X | |
| Examine and adjust the clutch wire (LC 140SP) | | | X |

To do a general inspection

- Make sure that all nuts and screws on the product are tightened correctly.

To clean the product externally

- Use a brush to remove leaves, grass and dirt.
- Make sure that the air intake on the top of the engine is not blocked.
- Do not use a high pressure washer to clean the product.
- If you use water to clean the product, do not flush water directly on the engine.

To clean the inner surface of the cutting cover

1. Empty the fuel tank.
2. Tilt the product. Make sure that the spark plug point up.



CAUTION: If the product is put with the air filter down, the engine can become damaged.

3. Hose down the inner surface of the cutting cover with water.

To examine the cutting equipment



WARNING: To prevent accidental start remove the ignition cable from the spark plug.



WARNING: Use protective gloves when you do maintenance on the cutting equipment. The blade is very sharp and cuts can easily occur.

1. Examine the cutting equipment for damage or cracks. Always replace a damaged cutting equipment.

2. Look at the blade to see if it is damaged or blunt.

Note: It is necessary to balance the blade after it is sharpened. Let a service center sharpen, replace and balance the blade. If you hit an obstacle that causes the product to stop, replace the damaged blade. Let the service center estimate if the blade can be sharpened or must be replaced.

To replace the blade

1. Lock the blade with a block of wood. (Fig. 36)
2. Remove the blade bolt.
3. Remove the blade.
4. Examine the blade support and blade bolt to see if there are damages.
5. Examine the engine shaft to make sure that it is not bent.
6. When you attach the new blade, point the angled ends of the blade in the direction of the cutting cover. (Fig. 37)
7. Make sure that the blade is aligned with the center of the engine shaft.
8. Lock the blade with a block of wood. Attach the spring washer and tighten the bolt and washer with a torque of 45–60 Nm. (Fig. 38)
9. Pull the blade around by hand and make sure that it turns freely.



WARNING: Use heavy duty gloves. The blade is very sharp and cuts can easily occur.

10. Start the product to do a test of the blade. If the blade is not correctly attached, there is vibration in the product or the cutting result is unsatisfactory.

² Clean more often under dusty conditions or when airborne debris is present. Replace air filter, if it is very dirty.

To do a check of the oil level



CAUTION: A too low oil level can do damage to the engine. Do a check of the oil level before you start the product.

1. Put the product on level ground.
2. Remove the oil tank cap with the attached dipstick.
3. Clean the oil from the dipstick.
4. Put the dipstick fully into the oil tank to give a correct picture of the oil level.
5. Remove the dipstick.
6. Examine the oil level on the dipstick.
7. If the oil level is low, fill with engine oil and do a check of the oil level again.

Note: Use a funnel to prevent spill.

To replace the engine oil



WARNING: Engine oil is very hot directly after the engine is stopped. Let the engine become cool before you drain the engine oil. If you spill engine oil on your skin, clean with soap and water.

(Fig. 39)

Note: Use 4-stroke engine oil. Make sure to use the correct viscosity for the ambient temperature.

1. Operate the product until the fuel tank is empty.
2. Remove the ignition cable from the spark plug.
3. Remove the oil tank cap.
4. Drain the engine oil from the oil tank with an oil pump (accessory).
5. Fill with new engine oil of the type recommended in *Technical data on page 16*.
6. Do a check of the oil level. Refer to *To do a check of the oil level on page 14*.

To clean the foam plastic filter

1. Remove the air filter cover and remove the foam plastic filter.
2. Clean the foam plastic filter with soap and water.
3. Flush the foam plastic filter in clean water.
4. Squeeze the water from the foam plastic filter and let it dry.



CAUTION: Do not use compressed air. It can cause damage to the foam plastic filter.

5. Lubricate the foam plastic filter with engine oil.
6. Press a clean cloth against the foam plastic filter to remove unwanted oil.
7. Put the air filter back. Make sure that the air filter fully seals against the air filter holder.
8. Put the air filter cover back.

To examine the spark plug



CAUTION: Always use the recommended spark plug type. Incorrect spark plug type can cause damage to the product.

- Examine the spark plug if the engine is low on power, is not easy to start or does not operate correctly at idle speed.
- To decrease the risk of unwanted material on the spark plug electrodes, obey these instructions:
 - a) Make sure that the idle speed is correctly adjusted.
 - b) Make sure that the fuel mixture is correct.
 - c) Make sure that the air filter is clean.
- If the spark plug is dirty, clean it and make sure that the electrode gap is correct, refer to *Technical data on page 16*. (Fig. 40)
- Replace the spark plug if it is necessary.

To examine the fuel system

- Examine the fuel tank cap and the seal for the fuel tank cap to make sure that there are no damages.
- Examine the fuel hose to make sure that there are no leaks. If the fuel hose is damaged, let a service agent replace it.

To adjust the clutch wire (LC 140SP)

For the situations that follow, it is necessary to decrease the length of the clutch wire:

- The drive of the wheels does not engage when you pull the drive bail or the speed control lever.
- The product moves slowly when the drive of the wheels is engaged.

For the situations that follow, it is necessary to extend the length of clutch wire:

- The product moves when the drive of the wheels is not engaged.
- Adjust the clutch wire.
 - a) To decrease the length of clutch wire, turn the adjuster screw counterclockwise.
 - b) To extend the length of the clutch wire, turn the adjustment screw clockwise. (Fig. 41)

If the product continues to drive unsatisfactory after the adjustment, speak to your servicing dealer

Engine troubleshooting

| Problem | Possible cause | Solution |
|--|--|--|
| The engine does not start. | The ignition cable is not connected correctly. | Connect the ignition cable to the spark plug. |
| | The fuel tank is empty. | Fill the fuel tank with correct fuel type. |
| | The fuel is old. | Drain the fuel tank and the carburetor. Refuel with new gasoline. |
| | There is dirt in the carburetor or fuel line. | Clean the carburetor and/or fuel line. |
| | The spark plug is defective. | Adjust the electrode gap, clean or replace the spark plug. |
| | There is fuel on the spark plug. | Clean the spark plug. |
| The engine does not stop. | The stop mechanism is defective. | Disconnect the ignition cable from the spark plug. Let an approved service agent repair the product. |
| The engine does not operate smoothly. | The ignition cable is not connected correctly. | Connect the ignition cable to the spark plug. |
| | There is dirt in the fuel line or the fuel has expired. | Clean the fuel line. Fill the fuel tank with new fuel of the correct type. |
| | There is blockage in the fuel tank cap. | Clean the fuel tank cap. |
| | There is water or dirt in the fuel system. | Drain the fuel tank. Fill the fuel tank with new fuel of the correct type. |
| | The air filter is dirty. | Clean the air filter. |
| | The carburetor must be adjusted. | Let a servicing dealer adjust the carburetor. |
| The engine becomes too hot. | The engine oil level is too low. | Fill engine oil. |
| | The air flow is not sufficient. | Clean the air filter and the air filter housing. |
| | The carburetor must be adjusted. | Let a servicing dealer adjust the carburetor. |
| There is misfire in the engine when it operates at high speed. | The electrode gap in the spark plug is too small. | Adjust the electrode gap. |
| Unusual noises from the engine during normal load. | Incorrect type of gasoline. | Drain the fuel tank and the carburetor. Refuel with new gasoline. Refer to <i>To fill fuel on page 11</i> . If the problem continues speak to your local service dealer. |
| The engine does not operate smoothly at idle speed. | The spark plug is dirty, defective or the electrode gap is too wide. | Adjust the electrode gap or replace the spark plug. |
| | The carburetor must be adjusted. | Adjust the carburetor. |
| | The air filter is dirty. | Clean the air filter. |

Transportation, storage and disposal

Transportation and storage

- For storage and transportation of the product and fuel, make sure that there are no leaks or fumes. Sparks or open flames, for example from electrical devices or boilers, can start a fire.
- Always use approved containers for storage and transportation of fuel.
- Empty the fuel tank before you put the product in storage for a long period of time. Discard the fuel at an applicable disposal location
- Safely attach the product during transportation to prevent damage and accidents.

- Keep the product in a locked area to prevent access for children or persons that are not approved.
- Keep the product in a dry and frost free area.

Disposal

- Obey the local recycling requirements and applicable regulations.
- Discard all chemicals, such as engine oil or fuel, at a service center or at an applicable disposal location.
- When the product is no longer in use, send it to a Husqvarna dealer or discard it at a recycling location.

Technical data

Technical data

| | LC 140P | LC 140SP |
|--|--|--|
| Engine | | |
| Brand | Husqvarna | Husqvarna |
| Engine model name | HS 123A | HS 123A |
| Engine type | Single cylinder, 4-Stroke, Forced Air Cooling, OHV | Single cylinder, 4-Stroke, Forced Air Cooling, OHV |
| Displacement, cm ³ | 123 | 123 |
| Speed, rpm | 3000 | 3000 |
| Nominal engine output, kW ³ | 1.95 | 1.95 |
| Ignition system | | |
| Spark plug | Husqvarna HQT-7 | Husqvarna HQT-7 |
| Electrode gap, mm | 0.7-0.8 | 0.7-0.8 |
| Fuel and lubrication system | | |
| Engine lubrication type | Splash | Splash |
| Fuel tank capacity, litre | 0.9 | 0.9 |
| Oil tank capacity, litre | 0.5 | 0.5 |
| Engine oil ⁴ | Husqvarna SAE 30 | Husqvarna SAE 30 |

³ The power rating of the engine indicated is the average net output (at specified rpm) of a typical production engine for the engine model measured to SAE standard J1349/ISO1585. Mass production engines may differ from this value. Actual power output for the engine installed on the final product will depend on the operating speed, environmental conditions and other values.

⁴ If SAE-30 oil is used at temperatures lower than +5 °C, there is a risk that it does not lubricate the engine sufficiently. This can cause engine damage. Refer to *To replace the engine oil on page 14* for the correct oil for low temperatures.

| | LC 140P | LC 140SP |
|--|-----------------------------|-----------------------------|
| Weight | | |
| With empty tanks, kg | 25.2 | 26.8 |
| Noise emissions⁵ | | |
| Sound power level, measured, dB(A) | 93 | 93 |
| Sound power level, guaranteed, L _{WA} dB(A) | 95 | 95 |
| Sound levels⁶ | | |
| Sound pressure level at operators ear, dB(A) | 81 | 81 |
| Vibration levels⁷ | | |
| Vibrations handlebar, m/s ² | 5.6 | 7.6 |
| Cutting equipment | | |
| Cutting height, mm | 25–75 | 25–75 |
| Cutting width, mm | 400 | 400 |
| Cutting system | Collection / Rear discharge | Collection / Rear discharge |
| Blades - standard | Collection 5873863-10 | Collection 5873863-10 |
| Grass catcher capacity, liter | 50 | 50 |
| Drive | | |
| Self walk speed, km/h | – | 4 |

⁵ Noise emissions in the environment measured as sound power (L_{WA}) in conformity with EC directive 2000/14/EC.

⁶ Reported data for noise pressure level has a typical statistical dispersion (standard deviation) of 1.2 dB (A).

⁷ Reported data for vibration level has a typical statistical dispersion (standard deviation) of 0.2 m/s².

EC Declaration of Conformity

EC Declaration of Conformity

Husqvarna AB, SE-561 82 Huskvarna, Sweden, tel: +46-36-146500, declares that the **lawn mower Husqvarna LC 140P, LC 140SP** from the year 2020 and onwards, complies with the requirements of the COUNCIL'S DIRECTIVE:

- of June 8, 2011 on the "restriction of use of certain hazardous substances" **2011/65/EU**
- of May 17, 2006 "relating to machinery" **2006/42/EC**
- of February 26, 2014 "relating to electromagnetic compatibility" **2014/30/EU**
- of May 8, 2000 "relating to the noise emissions in the environment" **2000/14/EC**

Information relating to noise emissions, see Technical data.

The following standards have been applied:

EN ISO 5395-1:2013, EN ISO 5395-1:2013/A1, EN ISO 5395-2:2013, EN ISO 5395-2:2013/A1:2016, EN ISO 5395-2:2013/A2:2017, EN ISO 14982:2009

If not otherwise stated, the above listed standards are the latest published versions.

Notified body: **0036, TÜV SÜD Industrie Service GmbH, Westendstrasse 199, 80686 München, Germany** has performed conformity assessment according to Annex VI of directive 2000/14/EC.

Huskvarna, 2020-10-20



Claes Losdal, Development Manager/Garden Products
(Authorized representative for Husqvarna AB and responsible for technical documentation)

Съдържание

| | | | |
|------------------|----|---|----|
| Въведение..... | 19 | Отстраняване на неизправностите по двигателя..... | 28 |
| Безопасност..... | 20 | Транспортиране, съхранение и изхвърляне..... | 29 |
| Монтаж..... | 23 | Технически данни..... | 30 |
| Операция..... | 24 | Декларация за съответствие на ЕО..... | 32 |
| Поддръжка..... | 25 | | |

Въведение

Описание на продукта

Продуктът е пешеходна ротационна косачка. Тревата се събира в кош за трева. Свалете коша за трева, за да се получи задно разтоварване на тревата.

Предназначение

Използвайте продукта за косене на трева. Не използвайте продукта за други задачи.

Общ преглед на продукта

(Фиг. 1)

1. Дръжка/управление
2. Дръжка за задвижване (LC 140SP)
3. Дръжка на въжето на стартера
4. Кош за трева
5. Резервоар за гориво
6. Въздушен филтър
7. Запалителна свещ
8. Капак срещу порязване
9. Ауспук
10. Капачка на резервоара за масло
11. Лост за височината на рязане
12. Заден капак
13. Ръчка за спирачката на двигателя
14. Символи
15. Долна част на дръжката
16. Ниска ръкохватка
17. Инструкция за експлоатация
18. Фуния за масло

(Фиг. 5) Дръжте хората и животните на безопасно разстояние от работната зона.

(Фиг. 6) Предупреждение: Дръжте ръцете и краката си далеч от въртящия се нож.

(Фиг. 7) Предупреждение: Дръжте ръцете и краката си далеч от въртящи се части.

(Фиг. 8) Спрете двигателя и отстранете запалителния кабел преди ремонтни или техническо обслужване.

(Фиг. 9) Този продукт отговаря на изискванията на приложимите директиви на ЕО.

(Фиг. 10) Шумови емисии в околната среда в съответствие с Директивата на Европейската общност. Емисиите на продукта са посочени в раздела за технически характеристики и на табелката.

(Фиг. 11) Риск от пожар.

(Фиг. 12) Не вдъшвайте отработени газове. Отработените газове от двигателя съдържат въглероден окис – много опасен, отровен газ без миризма. Не стартирайте двигателя на закрито или в затворени пространства.

(Фиг. 13) Гореща повърхност.

(Фиг. 14) Напълнете двигателя с масло, преди да започнете да използвате продукта.

Символи върху машината

(Фиг. 2) **ПРЕДУПРЕЖДЕНИЕ!** Внимавайте и използвайте продукта правилно. Този продукт може да причини сериозно нараняване или смърт на оператора и други хора.

(Фиг. 3) Прочетете внимателно ръководството за оператора и се уверете, че разбирате инструкциите, преди да използвате машината.

(Фиг. 4) Пазете се от отскачащи предмети и рикошети.

Забележка: Останалите символи/стикери на продукта се отнасят до изисквания по отношение на сертификати за някои търговски зони.

Емисии Euro V



ПРЕДУПРЕЖДЕНИЕ: Намесата в двигателя прави невалидно ЕС одобрението на тип на този продукт.

- продуктът е неправилно ремонтиран.
- продуктът е ремонтиран с части, които не са от производителя или не са одобрени от производителя.
- продуктът има принадлежност, която не е от производителя или не е одобрена от производителя.
- продуктът не е ремонтиран в одобрен сервизен център или от одобрен орган.

Отговорност за продукта

Както е посочено в законите за отговорност за вреди, причинени от стоки, ние не носим отговорност за щети, причинени от нашия продукт, ако:

Безопасност

Дефиниции за безопасност

Предупреждения, знаци за внимание и бележки се използват за указване на особено важни части на инструкцията.



ПРЕДУПРЕЖДЕНИЕ: Използва се, ако има опасност от нараняване или смърт за оператора или за околните, ако не се спазват инструкциите в ръководството.



ВНИМАНИЕ: Използва се, ако има опасност от повреждане на машината, други материали или съседната зона, ако не се спазват инструкциите в ръководството.

Забележка: Използва се за предоставяне на повече информация, която е необходима в дадена ситуация.

Общи инструкции за безопасност



ПРЕДУПРЕЖДЕНИЕ: Прочетете следващите предупредителни указания, преди да използвате машината.

- Този продукт е опасен, ако се използва неправилно или ако не сте внимателни. Неспазването на инструкциите за безопасност може да доведе до нараняване или смърт.
- Тази машина създава електромагнитно поле по време на работа. При някои условия това поле може да интерферира с активни или пасивни медицински имплантанти. За да намалите риска от тежко или смъртоносно нараняване, ние препоръчваме лицата с медицински имплантанти да говорят с лекаря си и производителя на медицинския имплант, преди да започнат да работят с тази машина.

- Винаги бъдете внимателни и подхождайте разумно. Ако не сте сигурни как да работите с продукта при специална ситуация, спрете и се обърнете към Вашия дилър на Husqvarna, преди да продължите.
- Имайте предвид, че операторът носи отговорност за нещастни случаи, включващи други хора или тяхното имущество.
- Поддържайте продукта чист. Уверете се, че разчитате ясно знаците и стикерите.
- Не позволявайте на когото и да е да работи с продукта, докато не се уверите, че е прочел и разбрал съдържанието на инструкцията за експлоатация.
- Не позволявайте на деца да работят с продукта.
- Дръжте децата далеч от работната зона. През цялото време трябва да присъства отговорен възрастен.
- Не позволявайте на лица, които не са запознати с инструкциите, да работят с продукта.
- Винаги наблюдавайте лица с намален физически или умствен капацитет, които използват продукта. През цялото време трябва да присъства отговорен възрастен.
- Не използвайте продукта, ако сте уморени, болни или под въздействието на алкохол, наркотици или лекарства. Това състояние оказва отрицателно въздействие върху Вашето зрение, бдителност, координация и преценка.
- Не използвайте продукта, ако е неизправен.
- Не променяйте този продукт или не го използвайте, ако има вероятност той да е бил променен от друг.
- Не променяйте регулировката за управление на оборотите на двигателя.

Безопасност на работната област



ПРЕДУПРЕЖДЕНИЕ: Прочетете следващите предупредителни указания, преди да използвате машината.

- Отстранете препятствия като клони, пръчки и камъни от работната зона, преди да използвате продукта.
- Обектите, които се удрят в режещото оборудване, могат да бъдат изхвърлени и да причинят нараняване на лицата и щети на предметите. Дръжте страничните наблюдатели и животните на безопасно разстояние от продукта.
- Никога не използвайте продукта в лошо време – например при мъгла, дъжд, силни ветрове, много силен студ и риск от мъгливи. Използването на продукта в лошо време или върху влажни или мокри терени е изморително. Лошото време може да създаде опасни условия, като например хлъзгави повърхности.
- Внимавайте за лица, предмети и ситуации, които могат да са причина за намаляване на безопасната работа на продукта.
- Внимавайте за препятствия като корени, камъни, клони, ями и канавки. Дългата трева може да крие препятствия.
- Косенето на трева на склон може да бъде опасно. Не работете с продукта, когато наклонът на повърхността е повече от 15°.
- Използвайте продукта напречно на склона. Не се движете нагоре и надолу.
- Внимавайте, когато преминавате покрай закриватъли и предмети, които скриват зрителното Ви поле.

Безопасност при работа



ПРЕДУПРЕЖДЕНИЕ: Прочетете следващите предупредителни указания, преди да използвате машината.

- Използвайте този продукт само за косене на морави. Не се допуска използването му за други цели.
- Използвайте лични предпазни средства. Вижте *Лични предпазни средства на страница 21*.
- Уверете се, че знаете как бързо да спрете двигателя при аварийна ситуация.
- Никога не стартирайте двигателя в затворено пространство или близо до запалими материали. Отработените газове от двигателя са горещи и могат да съдържат искри, които да предизвикат пожар.
- Не работете с продукта, докато ножът и всички капаци не се монтират правилно. Неправилно монтираният нож може да се разхлаби и да причини телесна повреда.

- Уверете се, че ножът няма да се удря в обекти, като например камъни и корени. Това може да доведе до повреда на ножа и до огъване на двусекционния вал на двигателя. Огънатата ос предизвиква силни вибрации и има много голяма опасност ножът да се разхлаби.
- Ако ножът се удари в някакъв обект или се получат вибрации, спрете веднага продукта. Изключете запалителния кабел от запалителната свещ. Проверете продукта за повреда. Ремонтирайте повредите или потърсете оторизиран сервиз за това.
- Никога не прикрепяйте ръчката на спирачката на двигателя за постоянно върху дръжката, когато двигателят е стартиран.
- Поставете продукта върху стабилна, равна повърхност и го стартирайте. Уверете се, че ножът не се допира в земята или в други предмети.
- Винаги стойте зад продукта, когато го използвате.
- Всички колела трябва да бъдат на земята и да държите дръжката с 2 ръце, когато работите с продукта. Дръжте ръцете и краката си далеч от въртящите се остриета.
- Не накланяйте продукта при стартиран двигател.
- Бъдете внимателни, когато дърпате продукта назад.
- Никога не повдигайте продукта при стартиран двигател. Ако се налага да вдигнете продукта, първо спрете двигателя и изключете запалителния кабел от запалителната свещ.
- Не се движете назад при работа с продукта.
- Спрете двигателя, когато преминавате през области без трева, например пътеки от чакъл, камък или асфалт.
- Не тичайте с продукта, когато двигателят работи. Винаги ходете, когато работите с продукта.
- Спрете двигателя, преди да промените височината на рязане. Никога не регулирайте при стартиран двигател.
- Никога не оставяйте продукта без надзор, когато двигателят работи. Спрете двигателя и се уверете, че режещото оборудване не се върти.

Инструкции за безопасност за работа

Лични предпазни средства



ПРЕДУПРЕЖДЕНИЕ: Прочетете следващите предупредителни указания, преди да използвате машината.

- Личните предпазни средства не изключват изцяло риска от нараняване, но намаляват степента на нараняването при злополука. Нека вашият дилър Ви помогне да изберете подходящото оборудване.

- Използвайте антифони, ако нивото на шума е по-високо от 85 dB.
- Носете ботуши или обувки, устойчиви на хлъзгане. Не носете отворени обувки и не ходете боси.
- Използвайте дълги панталони от здрав плат.
- Когато е необходимо, носете защитни ръкавици, например, когато закрепвате, проверявате или почиствате режещото оборудване.

Приспособления за безопасност на машината



ПРЕДУПРЕЖДЕНИЕ: Прочетете следващите предупредителни указания, преди да използвате машината.

- Не използвайте машина с неизправни приспособления за безопасност.
- Проверявайте редовно приспособленията за безопасност. Ако приспособленията за безопасност са дефектни, говорете с Вашия сервиз Husqvarna.

За проверка на капака срещу порязване

Капакът срещу порязване намалява вибрациите в продукта и опасността от нараняване, причинени от острието.

- Проверете капака срещу порязване, за да се уверите, че няма повреди, като например пукнатини.

За проверка на ръчката на спирачката на двигателя

Ръчката за спирачката на двигателя спира двигателя. Когато ръчката за спирачката на двигателя бъде пусната, двигателят спира.

- Запалете двигателя и след това освободете ръчката на спирачката на двигателя. Ако двигателят не спре след 3 секунди, позволете на одобрен Husqvarna сервиз да регулира спирачката на двигателя. (Фиг. 15)

Ауспух

Ауспухът е предназначен за максимално намаляване на нивата на шума и за отвеждане на отработените газове настрана от потребителя.

Не използвайте машината, ако ауспухът липсва или е дефектен. Дефектен ауспух увеличава нивото на шума и риска от злополука.



ПРЕДУПРЕЖДЕНИЕ: Ауспухът се нагрива много по време и след работа и също при обороти на празен ход. Бъдете внимателни близо до запалими материали и/или газове, за да предотвратите възникването на пожар.

Безопасност при работа с гориво



ПРЕДУПРЕЖДЕНИЕ: Прочетете следващите предупредителни указания, преди да използвате машината.

- Не включвайте продукта, ако върху него има гориво или моторно масло. Отстранете нежеланото гориво/масло и оставете продукта да изсъхне.
- Ако разлеете гориво по дрехите си, сменете ги незабавно.
- Внимавайте да не попадне гориво върху тялото Ви, това може да доведе до телесни увреждания. Ако гориво попадне върху тялото Ви, използвайте сапун и вода, за да го отстраните.
- Не стартирайте продукта, ако от двигателя има теч. Проверявайте редовно двигателя за течове.
- Внимавайте с горивото. Горивото е запалимо, изпаренията са взривоопасни и могат да причинят телесни увреждания или смърт.
- Не вдъшвайте горивните изпарения, това може да доведе до телесни увреждания. Уверете се, че има достатъчен въздушен поток.
- Не пушете близо до горивото или двигателя.
- Не поставяйте топли предмети близо до горивото или двигателя.
- Не добавяйте гориво, когато двигателят работи.
- Уверете се, че двигателят е изстинал преди зареждане с гориво.
- Преди зареждане с гориво отворете бавно капачката на резервоара за гориво и освободете внимателно налягането.
- Не добавяйте гориво към двигателя на закрито. Недостатъчният въздушен поток може да доведе до нараняване или смърт поради задушаване или въглероден окис.
- Затегнете капачката на резервоара за гориво докрай. Ако капачката на резервоара за гориво не е затегната, има риск от злополука.
- Преди да включите двигателя, преместете продукта най-малко на 3 m/10 ft от мястото, където сте заредили резервоара.
- Не зареждайте резервоара за гориво догоре. Топлината причинява увеличаване на обема на горивото. Оставете място в горната част на резервоара за гориво.

Инструкции за безопасност при техническо обслужване



ПРЕДУПРЕЖДЕНИЕ: Прочетете следващите предупредителни указания, преди да използвате машината.

- Отработените газове от двигателя съдържат въглероден окис – много опасен, отровен газ без

миризма. Не стартирайте двигателя на закрито или в затворени пространства.

- Преди техническо обслужване на продукта спрете двигателя и изключете запалителния кабел от запалителната свещ.
- Носете защитни ръкавици, когато ще изпълнявате дейности, свързани с техническото обслужване на режещото оборудване. Ножът е много остър и можете лесно да се порежете.
- Аксесоари и промени на продукта, които не са одобрени от производителя, могат да доведат до сериозно нараняване или смърт. Не правете промени по продукта. Винаги използвайте само аксесоари, които са одобрени от производителя.

- Ако техническото обслужване не се изпълнява правилно и редовно, рискът от нараняване и повреда на продукта се увеличава.
- Изпълнявайте техническото обслужване само както е посочено в това ръководство на собственика. Всички останали сервизни дейности трябва да се извършват от одобрен Husqvarna сервиз.
- Позволете одобрен Husqvarna сервиз редовно да обслужва продукта.
- Заменете повредени, износени или счупени части.

Монтаж

За да монтирате ръкохватката

1. Прекарайте винта (A) през ръкохватката (B), пластмасовата шайба (C) и опорната скоба на ръкохватката (D). (Фиг. 16)
2. Затегнете гайката (E) докрай.
3. Прекарайте винта (F) през шайбата (G) и опорната скоба на ръкохватката.
4. Затегнете фиксатора (H) докрай.
5. Подравнете отворите в ръкохватката с отворите в долната част на дръжката и прикрепете винтовете, шайбите и фиксаторите. Затегнете напълно фиксаторите. (Фиг. 17)
6. Закрепете кабелите към ръкохватката с помощта на кабелни превръзки. (Фиг. 18)

Забележка: Уверете се, че напрежението в кабелите не е твърде високо. Твърде високото напрежение може да повреди кабела, ако ръкохватката бъде сгъната в положение при транспортиране.

7. Поставете кабелите около куката в долната част на ръкохватката. (Фиг. 19)

За регулиране на височината на ръкохватката

1. Разхлабете долните копчета. (Фиг. 20)
2. Отстранете фиксатора, шайбата и винта от лявата и дясната страна.
3. Ръкохватката може да бъде зададена на 2 различни височини. Поставете винта в единия от 2-та отвора от лявата и дясната страна. (Фиг. 21)
4. Прикрепете винтовете, шайбите и фиксаторите.
5. Преместете фиксаторите по посока на дръжката, докато спрат и се чуе щракване. Затегнете напълно фиксаторите. (Фиг. 22)

За задаване на продукта в положение за транспортиране

1. Извадете коша за трева.
2. Разхлабете фиксаторите в горната част на ръкохватката и я сгънете надолу. (Фиг. 23)
3. Разхлабете долните копчета.
4. Преместете фиксаторите към долния край на каналите от лявата и дясната страна на продукта. (Фиг. 24)
5. Сгънете ръкохватката напред. (Фиг. 25)

Задаване на продукта в положение за работа

1. Повдигнете управлението, докато долната дръжка се фиксира в положение за работа. (Фиг. 26)
2. Преместете фиксаторите по посока на дръжката, докато спрат и се чуе щракване.
3. Затегнете напълно фиксаторите. (Фиг. 27)
4. Повдигнете горната част на управлението.
5. Затегнете напълно фиксаторите. (Фиг. 28)

За сглобяване на коша за трева

1. Поставете горната част на коша за трева върху долната му част. (Фиг. 29)
2. Прикрепете рамката на коша за трева с фиксаторите. (Фиг. 30)
3. Вдигнете задния капак.
4. Прикрепете куките върху коша за трева към горния край на шасито. (Фиг. 31)
5. Поставете долната част на коша за трева в канала за разтоварване на тревата.

Операция

Въведение



ПРЕДУПРЕЖДЕНИЕ: Преди работа с продукта трябва да прочетете и разберете главата за безопасност.

Husqvarna Connect

Husqvarna Connect е безплатно приложение за Вашето мобилно устройство. Приложението Husqvarna Connect осигурява разширени функции за Вашия продукт на Husqvarna:

- Разширена продуктова информация.
- Информация и помощ за частите на продукта и сервисното обслужване.

За да започнете да използвате Husqvarna Connect

1. Изтеглете приложението Husqvarna Connect на Вашето мобилно устройство.
2. Регистрирайте се в приложението Husqvarna Connect.
3. Изпълнете стъпките с инструкции в приложението Husqvarna Connect, за да свържете и регистрирате продукта.

Преди да започнете работа с продукта

1. Прочетете внимателно ръководството за оператора и се уверете, че разбирате инструкциите.
2. Проверете режещото оборудване, за да се уверите, че то е правилно монтирано и регулирано. Вижте *За проверка на режещото оборудване на страница 26*.
3. Напълнете резервоара за гориво. Вижте *За наливане на гориво на страница 24*.
4. Напълнете резервоара за масло и проверете нивото на маслото. Вижте *За проверка на нивото на маслото на страница 27*.

За наливане на гориво

Ако е възможно, използвайте бензин с ниско ниво на емисиите/алкилатно гориво. Ако не е наличен бензин с ниско ниво на емисиите/алкилатно гориво, използвайте висококачествен безоловен бензин или оловен бензин с октаново число, не по-малко от 91.



ВНИМАНИЕ: Не използвайте бензин с октаново число, по-малко от 91 RON. Това може да повреди продукта.



ВНИМАНИЕ: Сменяйте горивния филтър ежегодно или по-често, ако е необходимо. Нов горивен филтър се предлага при Вашия дистрибутор на Husqvarna.



ВНИМАНИЕ: Преди зареждане с гориво винаги спирайте двигателя.



ВНИМАНИЕ: Не използвайте пускови течности под налягане.

1. Отворете бавно капачката на резервоара за гориво, за да освободите налягането.
2. Заредете бавно резервоара от туба с гориво. Ако разлеете гориво, поийте го с кърпа и оставете горивото, което остане да изсъхне. (Фиг. 32)
3. Почистете областта около капачката на резервоара за гориво.
4. Затегнете капачката на резервоара за гориво докрай. Ако капачката на резервоара за гориво не е затегната, има риск от злополука.
5. Преди да включите двигателя, преместете продукта най-малко на 3 m/10 ft от мястото, където сте заредили резервоара.

За регулиране на височината на рязане

1. Преместете назад лоста за височина на рязане, за да увеличите височината на рязане.
2. Преместете напред лоста за височина на рязане, за да намалите височината на рязане. (Фиг. 33)



ВНИМАНИЕ: Не настройвайте твърде ниска височина на рязане. Ножовите могат да се ударят в земята, ако повърхността на моравата не е равна.

За стартиране на продукта

1. Уверете се, че запалителният кабел е свързан към запалителната свещ.
2. Останете зад продукта.
3. Задръжте ръчката на спиратката на двигателя до управлението. (Фиг. 34)
4. Дръжте дръжката на стартерното въже с дясната си ръка.
5. Бавно издърпайте стартерното въже, докато почувствате някакво съпротивление.

- 6. Издърпайте силно шнура, докато двигателят запали.



ПРЕДУПРЕЖДЕНИЕ: Не навивайте стартерното въже около ръката си.

За да използвате задвижването на колелата

- Дръпнете дръжката за задвижване по посока на ръкохватката. (Фиг. 35)
- Освободете дръжката за задвижване, за да изключите задвижването, например, когато приближите препятствие.
- Преди да дръпнете продукта назад, изключете задвижването и бутнете продукта напред приблизително 10 cm.

Спиране на продукта

- За да спрете само задвижването, освободете дръжката за задвижване.

- За да спрете двигателя, освободете ръчката за спирачката на двигателя.

За получаване на добър резултат

- Винаги използвайте остър нож. Косенето със затъпен нож е неравномерно и окосената повърхност пожълтява. При работа с остър нож също така се използва по-малко енергия отколкото при работа със затъпен нож.
- Не отрязвайте повече от $\frac{1}{3}$ от дължината на тревата. Първо, косете със зададена висока височина на рязане. Вижте какъв е резултатът и намалете височината на рязане до подходящо ниво. Ако тревата е много висока, карайте бавно и – ако е необходимо – окосете два пъти.
- Режете всеки път в различни посоки, за да избегнете образуването на линии в моравата.

Поддръжка

Въведение



ПРЕДУПРЕЖДЕНИЕ: Преди да извършите техническо обслужване, трябва да прочетете и разберете раздела за безопасност.

За всички работи по поддръжката и поправката на продукта е необходимо специално обучение. Осигуряваме предлагане на професионални ремонти и обслужване. Ако Вашият дилър не предлага сервизно обслужване, говорете с него, за да Ви даде информация за най-близкия сервиз.

Интервалите за техническо обслужване са изчислени в зависимост от ежедневната употреба на продукта. Интервалите се променят, ако продуктът не се използва ежедневно.

За техническо обслужване, маркирано със *, направете справка с инструкциите в *Приспособления за безопасност на машината на страница 22*.

График за техническо обслужване



ВНИМАНИЕ: Уверете се, че въздушният филтър е насочен нагоре, а не към земята, когато наклоняте продукта. Опасност от повреда на двигателя.

| Поддръжка | Ежедневно | Всеки месец | Всеки сезон |
|---|-----------|-------------|-------------|
| Обща проверка | X | | |
| Проверка на нивото на маслото | X | | |
| Смяна на маслото (първи път след 5 ч употреба, след това на всеки 50 ч употреба) ⁸ | | | X |
| Почистване на продукта | X | | |

⁸ Ако продуктът работи при тежко натоварване или високи околни температури, сменяйте моторното масло на всеки 25 часа.

| Поддръжка | Ежедневно | Всеки месец | Всеки сезон |
|--|-----------|-------------|-------------|
| Преглед на режещото оборудване | X | | |
| Проверка на капака на режещите части * | X | | |
| Проверете ръчката на спирачката на двигателя * | X | | |
| Проверете ауспуха * | | X | |
| Проверете запалителната свещ. Почистете или сменете запалителната свещ, ако е необходимо | | | X |
| Проверете въздушния филтър | X | | |
| Почистване въздушни филтър ⁹ | | X | |
| Смяна на въздушния филтър | | | X |
| Проверка на горивната система | | | X |
| Почистете охладителните ребра на цилиндъра | | X | |
| Проверете и регулирайте кабела на съединителя (LC 140SP) | | | X |

За извършване на обща проверка

- Уверете се, че всички гайки и винтове на продукта са затегнати правилно.

За външно почистване на машината

- За отстраняване на листа, трева и прах използвайте четка.
- Уверете се, че смукателният въздухопровод в горната част на двигателя не е блокиран.
- Не мийте продукта с устройство за миене под високо налягане.
- Ако използвате вода за почистване на продукта, не насочвайте струята вода директно върху двигателя.

За почистване на вътрешната повърхност на капака на режещите части

- Изпразнете резервоара за гориво.
- Наклонете продукта. Уверете се, че запалителната свещ е насочена нагоре.



ВНИМАНИЕ: Ако продуктът се постави с въздушния филтър надолу, двигателят може да се повреди.

- Промийте вътрешната повърхност на капака на режещите части с вода.

За проверка на режещото оборудване



ПРЕДУПРЕЖДЕНИЕ: За предотвратяване на случайно стартиране извадете запалителния кабел от запалителната свещ.



ПРЕДУПРЕЖДЕНИЕ: Носете защитни ръкавици, когато ще изпълнявате дейности, свързани с техническото обслужване на режещото оборудване. Ножът е много остър и можете лесно да се порежете.

- Проверете режещото оборудване за повреди или пукнатини. Винаги заменяйте повреденото режещо оборудване.
- Погледнете ножа, за да разберете дали не е повреден или затъпен.

Забележка: Необходимо е да балансирате ножа след заточване. Ножът се заточва, сменя и балансира от сервизен център. Ако ударите препятствие и вследствие на това продуктът спре, сменете повредения нож. Оставете специалистите в сервиза да преценят дали ножът ще трябва да се заточи, или да се смени.

За сменяне на ножовете

- Застопорете ножа с дървен блок. (Фиг. 36)
- Свалете придържащия болт на ножовете.

⁹ Почиствайте по-често в запрашена среда или когато във въздуха се носят частици. Сменете въздушния филтър, ако е много замърсен.

3. Свалете ножа.
4. Проверете носача на ножа и придържания болт на ножовете, за да видите дали има повреди.
5. Проверете дали двусекционният вал на двигателя не е огънат.
6. Когато поставите новия нож, насочете извитите краища на ножа по посока към капака на режещите части. (Фиг. 37)
7. Уверете се, че ножът е подравнен с центъра на двусекционния вал на двигателя.
8. Застопорете ножа с дървен блок. Поставете пружинната шайба и затегнете болта и шайбата с въртящ момент 45–60 Nm. (Фиг. 38)
9. Раздвижете ножа на ръка и се уверете, че той се върти свободно.



ПРЕДУПРЕЖДЕНИЕ: Използвайте ръкавици с висока здравина. Ножът е много остър и можете лесно да се порежете.

10. Стартирайте продукта, за да тествате ножа. Ако ножът не е поставен правилно, продуктът вибрира или резултатът от косенето е незадоволителен.

За проверка на нивото на маслото



ВНИМАНИЕ: Твърде ниското ниво на маслото може да доведе до повреда на двигателя. Проверете нивото на маслото, преди да стартирате продукта.

1. Позиционирайте машината на равна повърхност.
2. Отстранете капачката на резервоара с прикрепена мерителна пръчка.
3. Почистете маслото от мерителната пръчка.
4. Потопете мерителната пръчка докрай в резервоара за масло, за да получите точна информация за нивото на маслото.
5. Извадете мерителната пръчка.
6. Вижете колко е нивото на маслото на мерителната пръчка.
7. Ако нивото на маслото е ниско, долейте моторно масло и отново проверете нивото му.

Забележка: Използвайте фуния, за да предотвратите разливане.

За смяна на моторното масло



ПРЕДУПРЕЖДЕНИЕ: Моторното масло е много горещо непосредствено след спирането на двигателя. Оставете двигателя да изстине, преди да източите маслото. Ако разлеее моторно масло

върху кожата си, почистете със сапун и вода.

(Фиг. 39)

Забележка: Използвайте моторно масло за 4-тактови двигатели. Не забравяйте да използвате правилния вискозитет за околната температура.

1. Работете с продукта, докато резервоара за гориво се изпразни.
2. Извадете запалителния кабел от запалителната свещ.
3. Свалете капачката на резервоара за масло.
4. Източете моторното масло от резервоара за масло с помощта на маслена помпа (аксесоар).
5. Заредете с ново моторно масло от препоръчания тип в *Технически характеристики на страница 30*.
6. Проверете нивото на моторното масло. Вижете *За проверка на нивото на маслото на страница 27*.

За почистване на филтъра от пореста пластмаса

1. Свалете капака на въздушния филтър и махнете филтъра от пореста пластмаса.
2. Почистете филтъра от пореста пластмаса със сапун и вода.
3. Измийте филтъра от пореста пластмаса в чиста вода.
4. Изстискайте водата от филтъра от пореста пластмаса и го оставете да изсъхне.



ВНИМАНИЕ: Не използвайте въздух под налягане. Това може да причини повреда на филтъра от пореста пластмаса.

5. Смажете филтъра от пореста пластмаса с моторно масло.
6. Притиснете чиста кърпа върху филтъра от пореста пластмаса, за да отстраните нежеланото масло.
7. Поставете въздушния филтър обратно на мястото му. Уверете се, че въздушният филтър напълно прилепва към държача на въздушния филтър.
8. Поставете капака на въздушния филтър обратно на мястото му.

За проверка на запалителната свещ



ВНИМАНИЕ: Използвайте винаги запалителните свещи от препоръчания вид. Използването на запалителна свещ от неправилен тип може да повреди продукта.

- Проверете запалителната свещ, ако двигателят е с понижена мощност, стартира трудно или работи неправомерно при обороти на празен ход.
- За да намалите опасността от попадане на нежелани материали върху електродите на запалителната свещ, следвайте тези инструкции:
 - а) Проверете дали оборотите на празния ход са правилно регулирани.
 - б) Уверете се, че горивната смес е правилна.
 - в) Уверете се, че въздушният филтър е чист.
- Ако запалителната свещ е замърсена, почистете я и проверете дали разстоянието между електродите е правилно, направете справка с *Технически характеристики на страница 30*. (Фиг. 40)
- Сменете запалителната свещ, ако е необходимо.
- Задвижването на колелата не се задейства, когато издърпате дръжката за задвижване или лоста за управление на скоростта.
- Продуктът се движи бавно, когато задвижването на колелата е задействано.

За следните ситуации е необходимо да увеличите дължината на кабела на съединителя:

- Продуктът се движи, когато задвижването на колелата е задействано.
- Регулирайте кабела на съединителя.
 - а) За да намалите дължината на кабела на съединителя, завъртете регулиращия винт обратно на часовниковата стрелка.
 - б) За да увеличите дължината на кабела на съединителя, завъртете регулиращия винт по часовниковата стрелка. (Фиг. 41)

Ако продуктът продължава да се движи незадоволително след регулирането, обърнете се към своя сервизен дистрибутор

За проверка на горивната система

- Проверете капачката на резервоара за гориво и уплътнението на капачката на резервоара за гориво, за да се уверите, че не са повредени.
- Проверете маркуча за горивото, за да се уверите, че не тече. Ако маркучът за горивото е повреден, той трябва да се смени от сервиз.

За да регулирате кабела на съединителя (LC 140SP)

За следните ситуации е необходимо да намалите дължината на кабела на съединителя:

Отстраняване на неизправностите по двигателя

| Проблем | Възможна причина | Решение |
|-------------------------|--|---|
| Двигателят не стартира. | Запалителният кабел не е правилно свързан. | Свържете запалителния кабел към запалителната свещ. |
| | Резервоарът за гориво е празен. | Напълнете резервоара за гориво с правилния тип гориво. |
| | Горивото е старо. | Източете резервоара за гориво и карбуратора. Презаредете с нов бензин. |
| | Има замърсяване в карбуратора или в горивопровода. | Почистете карбуратора и/или горивната линия. |
| | Запалителната свещ е повредена. | Регулирайте разстоянието между електродите, почистете или сменете запалителната свещ. |
| | Няма гориво по запалителната свещ. | Почистете запалителната свещ. |
| Двигателят не спира. | Спирателният механизъм е дефектен. | Изключете запалителния кабел от запалителната свещ. Възложете извършването на ремонт на продукта на одобрен сервиз. |

| Проблем | Възможна причина | Решение |
|---|---|---|
| Двигателят не работи плавно равномерно. | Запалителният кабел не е правилно свързан. | Свържете запалителния кабел към запалителната свещ. |
| | В горивната линия има замърсяване или горивото е изтекло. | Почистете горивопровода. Напълнете резервоара за гориво с ново гориво от правилния тип. |
| | В капачката на резервоара за гориво има запушване. | Почистете капачката на резервоара за гориво. |
| | Има вода или замърсяване в горивната система. | Източете резервоара за гориво. Напълнете резервоара за гориво с ново гориво от правилния тип. |
| | Въздушният филтър е замърсен. | Почистете въздушния филтър. |
| | Карбураторът трябва да бъде регулиран. | Позволете на сервизен търговец да регулира карбуратора. |
| Двигателят става прекалено горещ. | Нивото на моторното масло е твърде ниско. | Напълнете моторно масло. |
| | Въздушният поток не е достатъчен. | Почистете въздушния филтър и корпуса на въздушния филтър. |
| | Карбураторът трябва да бъде регулиран. | Позволете на сервизен търговец да регулира карбуратора. |
| Има неуспешно запалване в двигателя, когато работи на високи обороти. | Разстоянието между електродите в запалителната свещ е прекалено малко. | Регулирайте разстоянието между електродите. |
| Чуват се необичайни звуци от двигателя при нормално натоварване. | Неправилен тип бензин. | Източете резервоара за гориво и карбуратора. Презаредете с нов бензин. Направете справка с <i>За наливане на гориво на страница 24</i> . Ако проблемът продължи, обърнете се към Вашия местен сервизен дистрибутор. |
| Двигателят не работи правилно равномерно при обороти на празния ход. | Запалителната свещ е замърсена, дефектна или разстоянието между електродите е прекалено голямо. | Регулирайте разстоянието между електродите или сменете запалителната свещ. |
| | Карбураторът трябва да бъде регулиран. | Регулирайте карбуратора. |
| | Въздушният филтър е замърсен. | Почистете въздушния филтър. |

Транспортиране, съхранение и изхвърляне

Транспорт и съхранение

- При съхранението и транспортирането на продукта и горивото се уверете, че няма течове или изпарения. Искри или открит огън, например от електрически уреди или котли може да възникне пожар.
- Винаги използвайте одобрени контейнери за съхранение и транспортиране на гориво.
- Изпразнете резервоара за гориво, преди да приберете продукта за съхранение за дълъг период от време. Изхвърлете горивото на подходящо за целта място
- Прикрепете продукта по безопасен начин по време на транспортирането, за да се предотвратят повреди и злополуки.

- Съхранявайте продукта под ключ, за да предотвратите достъпа до него на деца или лица, които не са упълномощени да го използват.
- Съхранявайте продукта на сухо и незамръзващо място.

- Изхвърлете всички химикали, като например двигателно масло или гориво, в сервизен център или на подходящо за целта място.
- Когато продуктът вече не се използва, изпратете го на Husqvarna дилър или го изхвърлете на място за рециклиране.

Изхвърляне

- Съблюдавайте местните изисквания за рециклиране и приложимите разпоредби.

Технически данни

Технически характеристики

| | LC 140P | LC 140SP |
|--|---|---|
| Двигател | | |
| Марка | Husqvarna | Husqvarna |
| Име на модел на двигател | HS 123A | HS 123A |
| Тип на двигателя | Едноцилиндров, 4-тактов, принудително въздушно охлаждане, OHV | Едноцилиндров, 4-тактов, принудително въздушно охлаждане, OHV |
| Работен обем, cm ³ | 123 | 123 |
| Скорост, об./мин | 3000 | 3000 |
| Номинална изходна мощност на двигателя, kW ¹⁰ | 1,95 | 1,95 |
| Запалителна система | | |
| Запалителна свещ | Husqvarna HQT-7 | Husqvarna HQT-7 |
| Разстояние между електродите, mm | 0,7 – 0,8 | 0,7 – 0,8 |
| Горивна и смазочна система | | |
| Тип на смазването на двигателя | Разпръскване | Разпръскване |
| Вместимост на резервоара за гориво, литри | 0,9 | 0,9 |
| Вместимост на резервоара за масло, литри | 0,5 | 0,5 |
| Моторно масло ¹¹ | Husqvarna SAE 30 | Husqvarna SAE 30 |
| Тегло | | |
| С празни резервоари, kg | 25,2 | 26,8 |

¹⁰ Номиналната мощност на двигателя е средната нетна изходяща мощност (при указаните об/мин) на типичен произведен двигател за модела двигател, измерен спрямо SAE стандарта J1349/ISO1585. Двигателите масово производство може да се отклоняват от тази стойност. Действителната изходна мощност за двигателя, инсталиран на крайния продукт, ще зависи от работната скорост, условията на околната среда и други стойности.

¹¹ Ако се използва масло SAE-30 при температури, по-ниски от +5°C, съществува риск двигателят да не бъде смазан достатъчно. Това може да доведе до повреда на двигателя. Направете справка с *Замяна на моторното масло на страница 27* за правилното масло за ниски температури.

| | LC 140P | LC 140SP |
|---|---------------------------|---------------------------|
| Шумови емисии¹² | | |
| Ниво на звуковата мощност, измерено, dB(A) | 93 | 93 |
| Ниво на звуковата мощност, гарантирана, L _{WA} dB(A) | 95 | 95 |
| Нива на звука¹³ | | |
| Ниво на звуковото налягане при ухото на оператора, dB(A) | 81 | 81 |
| Нива на вибрациите¹⁴ | | |
| Управление на вибрациите, m/s ² | 5,6 | 7,6 |
| Режещо оборудване | | |
| Височина на рязане, mm | 25 – 75 | 25 – 75 |
| Ширина на рязане, mm | 400 | 400 |
| Режеща система | Събиране/изхвърляне отзад | Събиране/изхвърляне отзад |
| Резци – стандартни | Колекция 5873863-10 | Колекция 5873863-10 |
| Капацитет на коша за трева, литър | 50 | 50 |
| Задвижване | | |
| Обороти за самостоятелно задвижване, km/h | – | 4 |

¹² Емисии на шума в околната среда, измерени като звукова мощност (L_{WA}) в съответствие с директива на ЕО 2000/14/ЕО.

¹³ Отчетените данни за нивото на звуковото налягане имат типична статистическа дисперсия (стандартно отклонение) от 1,2 dB (A).

¹⁴ Отчетените данни за равнището на вибрации имат типична статистическа дисперсия (стандартно отклонение) от 0,2 m/s².

Декларация за съответствие на ЕО

Декларация за съответствие на ЕО

Husqvarna AB, SE-561 82 Huskvarna, Швеция, тел.: +46-36-146500, удостоверява, че **косачката Husqvarna LC 140P, LC 140SP** от година 2020 и след това отговаря на изискванията на ДИРЕКТИВАТА НА СЪВЕТА:

- от 8 юни 2011 г. относно "ограничения за използване на определени опасни вещества" **2011/65/EC**
- от 17 май 2006 г., „свързана с машини“ **2006/42/EO**
- от 26 февруари 2014 г., "свързани с електромагнетичната съвместимост" **2014/30/EC**
- от 8 май 2000 г., "свързани с шумовите емисии в околната среда" **2000/14/EO**

За информация относно емисиите на шум, вж. "Технически данни".

Приложени са следните стандарти:

EN ISO 5395-1:2013, EN ISO 5395-1:2013/A1, EN ISO 5395-2:2013, EN ISO 5395-2:2013/A1:2016, EN ISO 5395-2:2013/A2:2017, EN ISO 14982:2009

Ако не е указано друго, посочените по-горе стандарти са последните публикувани версии.

Нотифициран орган: **0036, TÜV SÜD Industrie Service GmbH, Westendstrasse 199, 80686 München, Germany** е извършил оценка на съответствието съгласно Приложение VI на директива 2000/14/EO.

Huskvarna, 2020-10-20



Claes Losdal, Мениджър "Разработки и Развитие"/"Градински продукти" (Упълномощен представител за Husqvarna AB и отговорно лице за техническата документация)

Obsah

| | | | |
|-----------------|----|---------------------------------------|----|
| Úvod..... | 33 | Odstaňování problémů s motorem..... | 41 |
| Bezpečnost..... | 34 | Přeprava, skladování a likvidace..... | 42 |
| Montáž..... | 36 | Technické údaje..... | 42 |
| Provoz..... | 37 | ES Prohlášení o shodě..... | 45 |
| Údržba..... | 38 | | |

Úvod

Popis výrobku

Výrobek je rotační sekačka na trávu s pěší obsluhou. Koš na trávu slouží ke sběru posečené trávy. Chcete-li otevřít zadní výhoz trávy, sejměte koš na trávu.

Popis výrobku

(Obr. 1)

1. Řídítka
2. Páka pojezdu (LC 140SP)
3. Rukojeť startéru
4. Sběrací koš
5. Palivová nádrž
6. Vzduchový filtr
7. Zapalovací svíčka
8. Kryt žacího ústrojí
9. Tlumič výfuku
10. Víčko olejové nádrže
11. Páka pro nastavení výšky sečení
12. Zadní kryt
13. Páka brzdy motoru
14. Symboly
15. Sestava dolní části rukojeti
16. Dolní část řídítek
17. Návod k používání
18. Olejový trychtýř

Symboly na výrobku

- (Obr. 2) **VAROVÁNÍ!** Buďte opatrní a výrobek používejte správně. Tento výrobek může způsobit obsluze a dalším osobám vážné zranění.
- (Obr. 3) Před použitím si pozorně prostudujte tento návod k používání a nepoužívejte výrobek, pokud návodu zcela nerozumíte.
- (Obr. 4) Pozor na odvržené a odražené předměty.
- (Obr. 5) Zajistěte, aby se v pracovní oblasti a jejím okolí nezdřezovaly nepovolané osoby či zvířata.

Zamýšlené použití

Výrobek použijte k sečení trávy. K jiným činnostem výrobek nepoužívejte.

- (Obr. 6) **Varování:** Ruce a nohy udržujte mimo dosah rotujícího nože.
- (Obr. 7) **Varování:** Ruce a nohy udržujte mimo dosah rotujících částí.
- (Obr. 8) Před prováděním oprav a údržby vypněte motor a odpojte kabel zapalování.
- (Obr. 9) Tento výrobek vyhovuje platným směrnici EU.
- (Obr. 10) Emise hluku do okolí dle direktivy Evropského společenství. Emise produktu jsou uvedeny v kapitole Technické údaje a na štítku.
- (Obr. 11) Nebezpečí požáru.
- (Obr. 12) Nevdechujte výfukové plyny. Výfukové plyny obsahují oxid uhelnatý, jedovatý a velmi nebezpečný plyn bez zápachu. Nenechávejte motor spuštěný ve vnitřních nebo uzavřených prostorech.
- (Obr. 13) Horký povrch.
- (Obr. 14) Před nastartováním výrobku doplňte do motoru olej.

Povšimněte si: Další symboly/štítky na produktu se týkají certifikačních požadavků pro některé komerční oblasti.

Emise Euro V



VÝSTRAHA: Manipulace s motorem vede k zneplatnění typového schválení EU tohoto výrobku.

Odpovědnost za výrobek

Jak uvádí zákon o odpovědnosti za výrobek, neneseme odpovědnost za žádnou škodu způsobenou naším výrobkem, pokud:

- byl výrobek nesprávně opraven.
- byl výrobek opraven pomocí součástí od jiného výrobce nebo součástí, které nejsou výrobcem schváleny.

- má výrobek příslušenství od jiného výrobce nebo příslušenství, které není výrobcem schváleno.
- výrobek nebyl opraven ve schváleném servisním středisku nebo schváleným odborníkem.

Bezpečnost

Definice týkající se bezpečnosti

Varování, upozornění a poznámky slouží jako upozornění na specifické důležité části návodu.



VÝSTRAHA: Používá se v případě nebezpečí úrazu nebo usmrcení obsluhy nebo okolních osob, pokud nejsou dodrženy pokyny uvedené v této příručce.



VAROVÁNÍ: Používá se v případě nebezpečí poškození výrobku, dalších materiálů či škod na majetku v blízkém okolí, pokud nejsou dodrženy pokyny uvedené v této příručce.

Povšimněte si: Používá se k poskytnutí dalších informací, které jsou nezbytné v dané situaci.

Obecné bezpečnostní pokyny



VÝSTRAHA: Před použitím výrobku si přečtěte následující varování.

- Tento výrobek je nebezpečný, nepoužívejte-li se správně nebo není-li věnována provozu řádná pozornost. Nedodržení bezpečnostních pokynů může vést ke zranění nebo usmrcení.
- Tento výrobek vytváří během provozu elektromagnetické pole. Toto pole může za určitých okolností narušovat funkci aktivních či pasivních implantovaných lékařských přístrojů. Za účelem snížení rizika možného zranění nebo smrtelného úrazu doporučujeme osobám s implantovanými lékařskými přístroji poradit se před použitím výrobku s lékařem a s výrobcem implantovaného lékařského přístroje.
- Buďte stále opatrní a používejte zdravý rozum. Nejste-li si jisti, jak ovládat výrobek ve zvláštních situacích, vypněte jej a promluvte si s prodejcem Husqvarna, než budete pokračovat v práci.
- Mějte na paměti, že obsluha je odpovědná za nehody a škody vzniklé jiným osobám nebo na jejich majetku.

- Udržujte výrobek čistý. Ujistěte se, že jsou značky a štítky dobře čitelné.
- Nedovolte osobám používat výrobek, nejste-li si jisti, že si přečetly návod k používání a porozuměly jeho obsahu.
- Zamezte používání výrobku dětmí.
- Udržujte děti mimo pracovní oblast. Vždy musí být přítomna zodpovědná dospělá osoba.
- Zamezte používání výrobku osobami, které naznaží pokyny.
- Vždy sledujte osoby s fyzickým nebo mentálním postižením při práci s výrobkem. Vždy musí být přítomna zodpovědná dospělá osoba.
- Nepoužívejte výrobek, jste-li unavení, nemocní nebo pod vlivem alkoholu, drog nebo léků. To by mohlo ovlivnit váš zrak, ostražitost, koordinaci a úsudek.
- Nepoužívejte výrobek, pokud je vadný.
- Nikdy neupravujte výrobek a nepoužívejte jej, pokud je možné, že jej upravil někdo jiný.
- Neměňte nastavení regulace otáček motoru.

Bezpečnost pracovního prostoru



VÝSTRAHA: Před použitím výrobku si přečtěte následující varování.

- Před použitím výrobku, odklíďte z pracovní oblasti předměty, jako jsou větve, větvičky a kameny.
- Předměty, které mohou být zachyceny žacím ústrojím mohou být odmrštěny a způsobit zranění osob a poškození předmětů. Udržujte osoby v okolí a zvířata v bezpečné vzdálenosti od výrobku.
- Nikdy nepoužívejte výrobek za špatného počasí, jako je mlha, déšť, silný vítr, intenzivní chlad a nebezpečí blesku. Použití výrobku za špatného počasí nebo ve vlhkých či mokrych podmínkách je namáhavé. Nepříznivé počasí může vytvořit nebezpečné podmínky, např. kluzký povrch.
- Dávejte pozor na osoby, předměty a situace, které mohou bránit bezpečnému provozu výrobku.
- Dávejte pozor na překážky, jako jsou kořeny, kameny, větve, díry a příkopy. Vysoká tráva může překážky skrýt.

- Sečení trávy na svazích může být nebezpečné. Nepoužívejte výrobek na svahu se sklonem větším než 15°.
- S výrobkem jezděte po vrstevnicích. Nepohybuje se na svahu nahoru a dolů.
- Postupujte opatrně v blízkosti skrytých rohů a objektů, které mohou bránit ve výhledu.

Bezpečnost práce



VÝSTRAHA: Před použitím výrobku si přečtěte následující varování.

- Tento výrobek používejte výhradně k sečení trávy. Není dovoleno používat výrobek k jiným činnostem.
- Používejte osobní ochranné prostředky. Další informace naleznete v části *Osobní ochranné prostředky na strani 35*.
- Ujistěte se, že víte, jak v případě nouze rychle zastavit motor.
- Nikdy nespustíte motor v uzavřených prostorech nebo v blízkosti hořlavého materiálu. Výfukové plyny z motoru jsou horké a mohou obsahovat jiskry, které by mohly zažehnout požár.
- Neprovazujte výrobek, pokud není správně namontovaný nůž a všechny kryty. V opačném případě by se mohl nůž uvolnit a způsobit zranění osob.
- Zajistěte, aby nůž nenarazil do předmětů, jako jsou kameny a kořeny. Mohlo by dojít k poškození nože a ohnutí hřídele motoru. Ohnutý hřídel způsobuje velké vibrace a hrozí velmi vysoké riziko uvolnění nože.
- Pokud nůž narazí do nějakého předmětu nebo se objeví vibrace, okamžitě zastavte výrobek. Odpojte kabel zapalování od zapalovací svíčky. Zkontrolujte, zda není výrobek poškozený. Opravte poškozené díly nebo svěťte opravu schválenému servisnímu pracovníkovi.
- Po nastartování motoru nikdy nepřipevňujte páku brzdy motoru trvale k rukojeti sekačky.
- Umístěte výrobek na stabilní, rovný povrch a nastartujte jej. Zkontrolujte, zda nůž nemůže přijít do kontaktu se zemí nebo cizími objekty.
- Při provozu vždy stůjte za výrobkem.
- Při provozu nechte všechna kola spočívat na zemi a držte rukojeť oběma rukama. Ruce a nohy udržujte mimo dosah rotujících nožů.
- Nenaklánějte výrobek, když je spuštěný motor.
- Dávejte pozor při tažení výrobku dozadu.
- Nikdy nezvedejte výrobek, když je spuštěný motor. Pokud musíte výrobek zvednout, nejprve vypněte motor a odpojte kabel zapalování od zapalovací svíčky.
- Při provozování výrobku nechoďte směrem dozadu.
- Před přejezdem ploch bez trávy, jako jsou cesty vytvořené ze šterku, kamenů nebo asfaltu, vypněte motor.

- Neběhejte s výrobkem, když je spuštěný motor. Při provozu výrobku vždy pouze choďte.
- Před změnou výšky sečení vypněte motor. Nikdy neprovádějte seřizování při spuštěném motoru.
- Nikdy nenechte výrobek se spuštěným motorem bez dozoru. Vypněte motor a ujistěte se, že se žací ústrojí neotáčí.

Bezpečnostní pokyny pro provoz

Osobní ochranné prostředky



VÝSTRAHA: Před použitím výrobku si přečtěte následující varování.

- Osobní ochranné prostředky nemohou zcela eliminovat nebezpečí úrazu, ale v případě nehody pomáhají snížit míru poranění. Požádejte prodejce, aby vám pomohl vybrat správné vybavení.
- Používejte ochranu sluchu, pokud je hladina hluku vyšší než 85 dB.
- Používejte odolnou obuv s protiskluzovou podrážkou. Nepoužívejte otevřenou obuv ani nepracujte naboso.
- Používejte silné, dlouhé kalhoty.
- Při určitých činnostech používejte ochranné rukavice, například při nasazování, prohlídce nebo čištění žacího ústrojí.

Bezpečnostní zařízení na produktu



VÝSTRAHA: Před použitím výrobku si přečtěte následující varování.

- Nepoužívejte výrobek, jehož bezpečnostní zařízení jsou vadná!
- Pravidelně kontrolujte bezpečnostní zařízení. Pokud je zařízení vadné, obraťte se na servis Husqvarna.

Kontrola krytu žacího ústrojí

Kryt žacího ústrojí snižuje vibrace výrobku a snižuje nebezpečí poranění nožem.

- Zkontrolujte kryt žacího ústrojí, aby bylo zajištěno, že nevykazuje známky poškození, např. praskliny.

Kontrola rukojeti brzdy motoru

Páka brzdy motoru slouží k zastavení motoru. Když uvolníte páku brzdy motoru, motor se zastaví.

- Nastartujte motor a poté uvolněte rukojeť brzdy motoru. Pokud se motor nevypne během 3 sekund, požádejte schváleného servisního pracovníka Husqvarna o seřízení brzdy motoru. (Obr. 15)

Tlumič výfuku

Tlumič výfuku je určen k omezení úrovně hluku na minimum a k usměrnění výfukových plynů směrem od obsluhy.

Nepoužívejte výrobek bez tlumiče výfuku nebo pokud je vadný. Vadný tlumič výfuku zvyšuje hladinu hluku a nebezpečí požáru.



VÝSTRAHA: Tlumič výfuku je během provozu a po použití velmi horký, i když motor pracuje na volnoběžné otáčce. Aby se zabránilo požáru, dbejte zvýšené opatrnosti v blízkosti hořlavých materiálů a plynů.

Bezpečnost při manipulaci s palivem



VÝSTRAHA: Před použitím výrobku si přečtěte následující varování.

- Pokud je na výrobku palivo nebo olej, nespouštějte ho. Nechtěně palivo/olej z výrobku odstraňte a nechte výrobek uschnout.
- Pokud si palivem polijete oblečení, okamžitě se převlékněte.
- Zabraňte styku paliva s tělem, může způsobit zranění. Pokud se polijete palivem, omyjte zasažené místo vodou a mýdlem.
- Nepouštějte motor, pokud z něj něco uniká. Pravidelně kontrolujte, jestli z motoru nic neuniká.
- Při manipulaci s palivem buďte opatrní. Palivo je hořlavé a výpary jsou výbušné a mohou způsobit zranění nebo smrt.
- Nevdechujte palivové výpary, mohou způsobit zranění. Zajistěte dostatečný průtok vzduchu.
- V blízkosti paliva ani motoru nekuřte.
- Do blízkosti paliva ani motoru neumíst'ujte horké předměty.
- Když je spuštěný motor, nedoplňujte palivo.
- Než začnete doplňovat palivo, přesvědčte se, že je motor studený.
- Než doplníte palivo, pomalu otevřete uzávěr palivové nádrže a opatrně uvolněte tlak.

- Palivo do motoru nedoplňujte ve vnitřních prostorech. Nedostatečné proudění vzduchu může způsobit zranění nebo smrt udušením nebo otravou kyslíčným uhelnatým.
- Pevně dotáhněte víčko palivové nádrže. Není-li víčko palivové nádrže dotažené, hrozí nebezpečí požáru.
- Než výrobek spustíte, přejděte s ním minimálně 3 m (10 stop) od místa, kde jste doplňovali palivo.
- Nenaplňujte palivovou nádrž na maximum. Teplem dochází k rozpínání paliva. V horní části palivové nádrže udržujte volný prostor.

Bezpečnostní pokyny pro údržbu



VÝSTRAHA: Před použitím výrobku si přečtěte následující varování.

- Výfukové plyny obsahují oxid uhelnatý, jedovatý a velmi nebezpečný plyn bez zápachu. Nenechávejte motor spuštěný ve vnitřních nebo uzavřených prostorech.
- Před prováděním údržby výrobku nejprve vypněte motor a odpojte kabel zapalování od zapalovací svíčky.
- Při provádění údržby žacího ústrojí používejte ochranné rukavice. Nůž je velmi ostrý a může snadno dojít k pořezání.
- Příslušenství a změny výrobku, které neschválí výrobce, mohou způsobit vážné zranění nebo úmrtí. Neprovádějte změny na výrobku. Vždy používejte výhradně příslušenství schválené výrobcem.
- Při nesprávném nebo nepravidelném provádění údržby se zvyšuje nebezpečí poranění a poškození výrobku.
- Provádějte pouze údržbu uvedenou v tomto návodu k používání. Veškerý ostatní servis musí provést schválený servisní pracovník Husqvarna.
- Servis výrobku by měl provádět schválený servisní pracovník Husqvarna v pravidelných intervalech.
- Poškozené, opotřebené či prasklé součásti vyměňte.

Montáž

Montáž rukojeti

1. Prostrčte šroub (A) rukojetí (B), plastovou podložkou (C) a podpůrným držákem rukojeti (D). (Obr. 16)
2. Zcela utáhněte matici (E).
3. Prostrčte šroub (F) podložkou (G) a podpůrným držákem rukojeti.
4. Zcela dotáhněte knoflík (H).
5. Díry v rukojeti i v její dolní části zarovnejte a připevněte šrouby, podložky a knoflíky. Knoflíky řádně utáhněte. (Obr. 17)

6. Připojte kabely k řídicím pomocím držáků kabelů. (Obr. 18)

Povšimněte si: Zkontrolujte, zda není napnutí lanek příliš velké. Pokud je kabel příliš napnutý, může při složení řídicího do přepravní polohy dojít k jeho poškození.

7. Zahákněte kabely za háček v dolní části řídicího. (Obr. 19)

Nastavení výšky rukojeti

1. Povolte spodní matice. (Obr. 20)
2. Odmontujte knoflík, podložku a šroub na pravé a levé straně.
3. Rukojeť lze nastavit do dvou různých výšek. Vložte šroub do jednoho ze dvou otvorů na pravé a levé straně. (Obr. 21)
4. Připevňte šrouby, podložky a knoflíky.
5. Posuňte knoflíky směrem k rukojeti, dokud se nezastaví a neuslyšíte cvaknutí. Knoflíky řádně utáhněte. (Obr. 22)

Nastavení produktu do přepravní polohy

1. Sundejte koš na trávu.
2. Povolte knoflíky na horní rukojeti a sklopte říditka dolů. (Obr. 23)
3. Povolte spodní matice.
4. Posuňte knoflíky na spodní konec drážek na pravé i na levé straně výrobku. (Obr. 24)

5. Sklopte rukojeť dopředu. (Obr. 25)

Nastavení výrobku do provozní polohy

1. Zvedněte říditka, dokud spodní rukojeť nezapadne do provozní polohy. (Obr. 26)
2. Posuňte knoflíky směrem k rukojeti, dokud se nezastaví a neuslyšíte cvaknutí.
3. Knoflíky řádně utáhněte. (Obr. 27)
4. Zvedněte horní část říditek.
5. Knoflíky řádně utáhněte. (Obr. 28)

Montáž koše na trávu

1. Vložte horní část koše na trávu do dolní části koše na trávu. (Obr. 29)
2. Připevňte koš na trávu pomocí svorek. (Obr. 30)
3. Zvedněte zadní kryt.
4. Upevňte háčky na koši na trávu k hornímu okraji podvozku. (Obr. 31)
5. Umístěte dolní část koše na trávu do kanálu výhozu trávy.

Provoz

Úvod



VÝSTRAHA: Před používáním produktu je třeba, abyste si přečetli a porozuměli kapitole o bezpečnosti.

Husqvarna Connect

Husqvarna Connect je bezplatná aplikace pro mobilní zařízení. Aplikace Husqvarna Connect dodá vašemu výrobku Husqvarna doplňkové funkce:

- Rozšířené informace o výrobku.
- Informace o dílech a servisu a nápověda pro tyto položky.

Jak začít používat aplikaci Husqvarna Connect

1. Stáhněte si aplikaci Husqvarna Connect do svého mobilního zařízení.
2. V aplikaci Husqvarna Connect se zaregistrujte.
3. Při připojování a registraci výrobku postupujte podle pokynů v aplikaci Husqvarna Connect.

Před použitím výrobku

1. Pozorně si prostudujte tento návod k používání a nepoužívejte výrobek, pokud návodu zcela nerozumíte.
2. Zkontrolujte žací ústrojí, aby bylo zajištěno, že je řádně připevněné a nastavené. Viz *Kontrola žacího ústrojí na strani 39*.

3. Naplňte palivovou nádrž. Viz *Doplňování paliva na strani 37*.
4. Doplňte olej do olejové nádrže a zkontrolujte hladinu oleje. Viz *Kontrola hladiny oleje na strani 40*.

Doplňování paliva

Pokud možno používejte alkylátové palivo nebo benzin s nízkými emisemi. Není-li k dostání alkylátové palivo nebo benzin s nízkými emisemi, používejte kvalitní bezolovnatý benzin nebo olovnatý benzin s oktanovým číslem nejméně 91.



VAROVÁNÍ: Nepoužívejte benzin s oktanovým číslem nižším než 91 RON. Můžete tím výrobek poškodit.



VAROVÁNÍ: Palivový filtr vyměňujte jednou ročně nebo častěji v případě potřeby. Nový palivový filtr získáte u prodejce Husqvarna.



VAROVÁNÍ: Před doplněním paliva vždy vypněte motor.



VAROVÁNÍ: Nepoužívejte startovací kapaliny pod tlakem.

1. Víčko palivové nádrže otevírejte pomalu, aby se uvolnil tlak.

2. Palivo doplňte pomalu z kanystru. Dojde-li k rozlítí paliva, odstraňte jej utěrkou a zbývající palivo nechte vypařit. (Obr. 32)
3. Očistěte plochu kolem víčka palivové nádrže.
4. Pevně dotáhněte víčko palivové nádrže. Není-li víčko palivové nádrže dotažené, hrozí nebezpečí požáru.
5. Než výrobek spustíte, přejděte s ním minimálně 3 m (10 stop) od místa, kde jste doplňovali palivo.

Nastavení výšky sečení

1. Chcete-li zvýšit výšku sečení, posuňte páku pro nastavení výšky sečení dozadu.
2. Posunem páky pro nastavení výšky sečení dopředu výšku sečení snížíte. (Obr. 33)



VAROVÁNÍ: Nenastavujte výšku sečení příliš nízko. V případě, že není povrch trávníku rovný, mohou nože přijít do styku se zemí.

Spuštění výrobku

1. Zkontrolujte, zda je kabel zapalování připojený k zapalovací svíčce.
2. Postavte se za výrobek.
3. Držte páku motorové brzdy přitisknutou k rukojeti sekačky. (Obr. 34)
4. Uchopte rukojeť startovací šňůry pravou rukou.
5. Pomalu vytáhněte startovací šňůru, dokud neucítíte odpor.

6. Nastartujte motor silným zatáhnutím za šňůru.



VÝSTRAHA: Nikdy si neomotávejte startovací šňůru kolem ruky.

Použití pohonu kol

- Zatláčte páku pojezdu směrem k rukojeti. (Obr. 35)
- V blízkosti překážek uvolněte páku pojezdu, aby se deaktivoval pohon.
- Pokud chcete táhnout výrobek dozadu, odpojte pohon a zatláčte výrobek dopředu přibližně 10 cm.

Zastavení výrobku

- Chcete-li zastavit pojezd, uvolněte páku pojezdu.
- Motor zastavíte uvolněním páky brzdy motoru.

Jak docílit dobrých výsledků

- Používejte vždy ostrý nůž. Při použití tupého nože je stříh nepravidelný a posečený povrch trávy žlutne. Ostrý nůž také vyžaduje méně energie než tupý nůž.
- Nesekejte více než 1/3 výšky trávy. Nejprve sekejte se žacími ústrojími nastavenými vysoko. Zkontrolujte výsledek a případně snižte výšku sečení na požadovanou úroveň. Pokud je tráva velmi vysoká, jezděte pomalu a v případě potřeby sekejte 2krát.
- Sekejte vždy v jiném směru, aby na trávníku nevznikly pruhy.

Údržba

Úvod



VÝSTRAHA: Před prováděním údržby je třeba, abyste si přečetli a porozuměli kapitole o bezpečnosti.

Pro servis a opravy výrobku je nezbytné speciální školení. Garantujeme dostupnost profesionálních oprav a servisu. Pokud neposkytuje prodejce servisní služby, požádejte jej o informace o nejbližším servisu.

Plán údržby



VAROVÁNÍ: Když nakláníte výrobek, ujistěte se, že vzduchový filtr je na horní straně a ne vespod. Hrozí poškození motoru.

Intervaly údržby se vypočítávají na základě každodenního používání výrobku. Intervaly se mění, není-li výrobek používán denně.

U údržby označené symbolem * vyhledejte pokyny v části *Bezpečnostní zařízení na produktu na straní 35*.

| Údržba | Denně | Měsíčně | Každou sezónu |
|-----------------------------|-------|---------|---------------|
| Proveďte běžnou kontrolu. | X | | |
| Zkontrolujte hladinu oleje. | X | | |

| Údržba | Denně | Měsíčně | Každou se- zónu |
|---|-------|---------|--------------------|
| Vyměňte olej (poprvé po 5 h používání, poté po každých 50 h použí- vání). ¹⁵ | | | X |
| Vyčistěte výrobek. | X | | |
| Zkontrolujte žací ústrojí. | X | | |
| Zkontrolujte kryt žacího ústrojí.* | X | | |
| Zkontrolujte páku brzdy motoru.* | X | | |
| Zkontrolujte tlumič výfuku.* | | X | |
| Zkontrolujte zapalovací svíčku. V případě potřeby zapalovací svíčku očistěte nebo vyměňte. | | | X |
| Zkontrolujte vzduchový filtr. | X | | |
| Vyčistěte vzduchový filtr. ¹⁶ | | X | |
| Vyměňte vzduchový filtr. | | | X |
| Zkontrolujte palivový systém. | | | X |
| Vyčistěte chladicí žebra válce. | | X | |
| Zkontrolujte a seřídte lanko spojky (LC 140SP). | | | X |

Provedení běžné kontroly

- Zajistěte, aby byly všechny matice a šrouby na výrobku správně dotažené.

Čištění výrobku zvnějšku

- Pomocí kartáče odstraňte listí, trávu a nečistoty.
- Zkontrolujte, zda není přívod vzduchu v horní části motoru ucpaný.
- K čištění produktu nepoužívejte vodu pod vysokým tlakem.
- Pokud používáte vodu k čištění motoru, nestříkejte ji přímo na motor.

Čištění vnitřního povrchu krytu žacího ústrojí

- Vyprázdněte palivovou nádrž.
- Nakloňte výrobek. Zkontrolujte, zda zapalovací svíčka směřuje vzhůru.



VAROVÁNÍ: Pokud byste položili výrobek se vzduchovým filtrem dole, mohl by se poškodit motor.

- Opláchněte vodou z hadice vnitřní povrch krytu žacího ústrojí.

¹⁵ Pokud je výrobek provozován s vysokým zatížením nebo při vysokých okolních teplotách, vyměňujte motorový olej každých 25 hodin.

¹⁶ V prašných podmínkách nebo při výskytu nečistot přenášených vzduchem provádějte čištění častěji. Pokud je vzduchový filtr silně znečištěný, vyměňte jej.

Kontrola žacího ústrojí



VÝSTRAHA: Aby se zabránilo náhodnému spuštění, odpojte kabel zapalování od zapalovací svíčky.



VÝSTRAHA: Při provádění údržby žacího ústrojí používejte ochranné rukavice. Nůž je velmi ostrý a může snadno dojít k pozezání.

- Zkontrolujte žací ústrojí ohledně poškození a prasklin. Poškozené žací ústrojí vždy vyměňte.
- Prohlédněte nůž a zkontrolujte, zda není poškozený nebo tupý.

Povšimněte si: Po ostření je nezbytné nůž vyvážit. Výměnu, ostření a vyvážení nože svěřte servisnímu středisku. Dojde-li k nárazu do překážky, po kterém dochází k vypínání výrobku, vyměňte poškozený nůž. O tom, zda je možné nůž nabrousit či zda je nutné ho vyměnit, rozhodne servisní středisko.

Postup výměny nože

- Zajistěte nůž pomocí dřevěného špalíku. (Obr. 36)
- Demontujte šroub nože.

- Odmontujte nůž.
- Prohlédněte držák nože a šroub nože a zkontrolujte, zda nejsou poškozené.
- Prohlédněte hřídel motoru a ujistěte se, zda není ohnutý.
- Při montáži nového nože nasměrujte zahnuté konce nože ve směru krytu žacího ústrojí. (Obr. 37)
- Zkontrolujte, zda je nůž zarovnaný se středem hřídele motoru.
- Zajistěte nůž pomocí dřevěného špalíku. Nasaďte pružnou podložku a utáhněte šroub a podložku utahovacím momentem 45–60 Nm. (Obr. 38)
- Otočte nožem rukou a zkontrolujte, zda se volně otáčí.



VÝSTRAHA: Používejte odolné rukavice. Nůž je velmi ostrý a může snadno dojít k požezání.

- Nastartujte výrobek a proveďte test nože. Pokud není nůž správně připevněn, výrobek vibruje a výsledky sečení nejsou uspokojivé.

Kontrola hladiny oleje



VAROVÁNÍ: Příliš nízká hladina oleje může způsobit poškození motoru. Před spuštěním výrobku zkontrolujte hladinu oleje.

- Umístěte výrobek na rovnou plochu.
- Sejměte víčko olejové nádrže s olejovou měrkou.
- Setřete olej z olejové měrky.
- Zasuňte olejovou měrku do olejové nádrže, abyste mohli zkontrolovat hladinu oleje.
- Vyjměte olejovou měrku.
- Zkontrolujte hladinu oleje na olejové měrce.
- Pokud je hladina nízká, doplňte motorový olej a znovu zkontrolujte hladinu oleje.

Povšimněte si: Použijte trychtýř, aby nedošlo k rozlití.

Výměna motorového oleje



VÝSTRAHA: Motorový olej je bezprostředně po vypnutí motoru velmi horký. Před vypuštěním nechte motorový olej vychladnout. Pokud si potřísníte pokožku motorovým olejem, omyjte ji mýdlem a vodou.

(Obr. 39)

Povšimněte si: Použijte olej pro čtyřdobé motory. Ujistěte se, že používáte správnou viskozitu pro okolní teplotu.

- Nechte výrobek běžet, dokud nebude palivová nádrž prázdná.
- Odmontujte kabel zapalování od zapalovací svíčky.
- Sejměte víčko olejové nádrže.
- Vypusťte motorový olej z olejové nádrže pomocí olejového čerpadla (příslušenství).
- Doplňte nový motorový olej typu doporučeného v části *Technické údaje na strani 42*.
- Zkontrolujte hladinu oleje. Další informace jsou uvedeny v části *Kontrola hladiny oleje na strani 40*.

Čištění pěnového plastového filtru

- Odmontujte kryt vzduchového filtru a pěnový plastový filtr.
- Vyčistěte pěnový plastový filtr mýdlem a vodou.
- Opláchněte pěnový plastový filtr čistou vodou.
- Vymačkejte vodu z pěnového plastového filtru a nechte jej vyschnout.



VAROVÁNÍ: Nepoužívejte stlačený vzduch. Mohl by poškodit pěnový plastový filtr.

- Namažte pěnový plastový filtr motorovým olejem.
- Zatlačte čistou utěrku na pěnový plastový filtr, aby se odstranil nadbytečný olej.
- Vložte vzduchový filtr zpět. Zkontrolujte, zda vzduchový filtr dokonale těsní proti držáku vzduchového filtru.
- Nasaďte zpět kryt vzduchového filtru.

Kontrola zapalovací svíčky



VAROVÁNÍ: Vždy používejte doporučený typ zapalovacích svíček. Nesprávný typ zapalovací svíčky může způsobit poškození výrobku.

- Zkontrolujte zapalovací svíčku, pokud má motor malý výkon, špatné startuje nebo nefunguje správně ve volnoběžných otáčkách.
- Abyste se snížilo nebezpečí přítomnosti nechtěných materiálů na elektrodách zapalovací svíčky, dodržujte tyto pokyny:
 - Zkontrolujte, zda jsou správně nastaveny volnoběžné otáčky.
 - Zkontrolujte správnost palivové směsi.
 - Zkontrolujte, zda je vzduchový filtr čistý.
- Jestliže je zapalovací svíčka znečištěná, vyčistěte ji a zkontrolujte, zda je vzdálenost elektrod zapalovací svíčky správná, viz část *Technické údaje na strani 42*. (Obr. 40)
- V případě potřeby zapalovací svíčku vyměňte.

Kontrola palivového systému

- Prohlédněte víčko palivové nádrže a těsnění víčka a ujistěte se, že nejsou poškozené.
- Prohlédněte hadici přívodu paliva a ujistěte se, že nedochází k úniku. Pokud je hadice přívodu paliva poškozená, požádejte servisního pracovníka o výměnu.

Seřízení lanka spojky ((LC 140SP))

V následujících situacích je nutné zkrátit lanko spojky:

- Pohon kol se po zatažení páky pojezdu nebo páky ovládání rychlosti neaktivuje.
- Výrobek se při aktivaci pohonu kol pohybuje pomalu.

V následujících situacích je nutné prodloužit lanko spojky:

- Výrobek se pohybuje, když není pohon kol aktivní.
- Seřídte lanko spojky.
 - a) Pokud chcete zkrátit lanko spojky, otočte seřizovacím šroubem proti směru hodinových ručiček.
 - b) Pokud chcete prodloužit lanko spojky, otočte seřizovacím šroubem po směru hodinových ručiček. (Obr. 41)

Pokud je pojezd výrobku i po seřízení nevyhovující, kontaktujte autorizovaný servis.

Odstraňování problémů s motorem

| Problém | Možná příčina | Řešení |
|-----------------------|--|--|
| Motor nestartuje. | Kabel zapalování není správně připojen. | Připojte kabel zapalování k zapalovací svíčke. |
| | Palivová nádrž je prázdná. | Doplňte do palivové nádrže palivo správného typu. |
| | Palivo je staré. | Vypřázdňte palivovou nádrž a karburátor. Doplňte nový benzín. |
| | V karburátoru nebo vedení paliva jsou nečistoty. | Vyčistěte karburátor nebo vedení paliva. |
| | Zapalovací svíčka je vadná. | Upravte vzdálenost elektrod a vyčistěte nebo vyměňte svíčku. |
| | Na zapalovací svíčke je palivo. | Vyčistěte zapalovací svíčku. |
| Motor se nezastavuje. | Mechanismus zastavení je vadný. | Odpojte kabel zapalování od zapalovací svíčky. Opravu tohoto výrobku svěťte schválenému servisnímu pracovníkovi. |
| Motor neběží plynule. | Kabel zapalování není správně připojen. | Připojte kabel zapalování k zapalovací svíčke. |
| | Ve vedení paliva jsou nečistoty nebo je palivo příliš staré. | Vyčistěte vedení paliva. Doplňte do palivové nádrže nové palivo správného typu. |
| | Víčko palivové nádrže je zablokované. | Očistěte víčko palivové nádrže. |
| | V palivovém systému je voda nebo nečistoty. | Vypusťte palivovou nádrž. Doplňte do palivové nádrže nové palivo správného typu. |
| | Vzduchový filtr je znečištěný. | Vyčistěte vzduchový filtr. |
| | Karburátor je nutné seřídít. | Nechte karburátor seřídít u servisního prodejce. |

| Problém | Možná příčina | Řešení |
|---|--|--|
| Teplota motoru je příliš vysoká. | Příliš nízká hladina motorového oleje. | Doplňte motorový olej. |
| | Proudění vzduchu není dostatečné. | Vyčistěte vzduchový filtr a kryt vzduchového filtru. |
| | Karburátor je nutně seřídit. | Nechte karburátor seřídit u servisního prodejce. |
| Při vysokých otáčkách motor vynechává. | Vzdálenost elektrod v zapalovací svíčce je příliš malá. | Seřídte vzdálenost elektrod. |
| Neobvyklé zvuky z motoru při normálním zatížení. | Nesprávný typ benzínu. | Vyprázdněte palivovou nádrž a karburátor. Doplňte nový benzín. Další informace jsou uvedeny v části <i>Doplňování paliva na straně 37</i> . Pokud potíže přetrvávají, obraťte se na místní servis. |
| Motor nefunguje plynule ve volnoběžných otáčkách. | Zapalovací svíčka je znečištěná, vadná nebo je vzdálenost elektrod příliš velká. | Upravte vzdálenost elektrod nebo vyměňte svíčku. |
| | Karburátor je nutně seřídit. | Seřídte karburátor. |
| | Vzduchový filtr je znečištěný. | Vyčistěte vzduchový filtr. |

Přeprava, skladování a likvidace

Přeprava a skladování

- Před uskladněním a přepravou výrobku či paliva zkontrolujte, zda nejsou přítomny známky úniku nebo výparů. Jiskry a otevřený oheň, například z elektrických zařízení nebo kotlů, mohou zažehnout požár.
- Vždy používejte schválené nádoby na skladování a přepravu paliva.
- Před dlouhodobým skladováním výrobku vyprázdněte palivovou nádrž. Odevzdejte palivo na příslušném sběrném místě
- Během přepravy musí být výrobek bezpečně upevněn, aby se zabránilo jeho poškození a nehodám.

- Skladujte výrobek na uzamčeném místě, aby se zamezilo přístupům dětí a neoprávněných osob.
- Uchovávejte výrobek na suchém a bezprašném místě.

Likvidace

- Dodržujte místní požadavky ohledně recyklace a platné předpisy.
- Odevzdejte všechny chemikálie, například motorový olej nebo palivo, v servisním středisku nebo na příslušném sběrném místě.
- Nehodláte-li výrobek dále používat, odešlete jej prodejci Husqvarna nebo jej dopravte do recyklační stanice.

Technické údaje

Technické údaje

| | LC 140P | LC 140SP |
|---------------------|-----------|-----------|
| Motor | | |
| Značka | Husqvarna | Husqvarna |
| Název modelu motoru | HS 123A | HS 123A |

| | LC 140P | LC 140SP |
|---|--|--|
| Typ motoru | Jeden válec, 4dobý, nucené chlazení vzduchem, rozvod OHV | Jeden válec, 4dobý, nucené chlazení vzduchem, rozvod OHV |
| Zdvihový objem, cm ³ | 123 | 123 |
| Rychlost, ot./min | 3000 | 3000 |
| Jmenovitý výkon motoru, kW ¹⁷ | 1,95 | 1,95 |
| Systém zapalování | | |
| Zapalovací svíčka | Husqvarna HQT-7 | Husqvarna HQT-7 |
| Vzdálenost elektrod, mm | 0,7–0,8 | 0,7–0,8 |
| Systém mazání a palivový systém | | |
| Typ mazání motoru | Rozstříkovací | Rozstříkovací |
| Objem palivové nádrže, l | 0,9 | 0,9 |
| Objem olejové nádrže, litry | 0,5 | 0,5 |
| Motorový olej ¹⁸ | Husqvarna SAE 30 | Husqvarna SAE 30 |
| Hmotnost | | |
| S prázdnými nádržemi, kg | 25,2 | 26,8 |
| Emise hluku¹⁹ | | |
| Hladina akustického výkonu, změřená, dB(A) | 93 | 93 |
| Hladina akustického výkonu, zaručená, L _{WA} dB(A) | 95 | 95 |
| Hladina hluku²⁰ | | |
| Hladina akustického tlaku na sluch obsluhy, dB(A) | 81 | 81 |
| Úroveň vibrací²¹ | | |
| Vibrace řídítek, m/s ² | 5,6 | 7,6 |
| Řezací zařízení | | |
| Výška sečení, mm | 25–75 | 25–75 |
| Šířka sečení, mm | 400 | 400 |
| Žací systém | Sběr / zadní výhoz | Sběr / zadní výhoz |
| Nože – standardní | Sběr 5873863-10 | Sběr 5873863-10 |
| Kapacita koše na trávu, litry | 50 | 50 |

¹⁷ Uvedený jmenovitý výkon motoru je průměrný čistý výkon (při specifikovaných ot./min.) typického motoru pro model motoru měřený podle normy SAE J1349/ISO1585. Sériové vyráběné motory se od této hodnoty mohou lišit. Skutečný výstupní výkon motoru instalovaného na konečném výrobku závisí na provozních otáčkách, povětrnostních podmínkách a dalších hodnotách.

¹⁸ Pokud použijete olej SAE-30 při teplotách nižších než +5 °C, hrozí nebezpečí nedostatečného promazání motoru. Může dojít k poškození motoru. Správný olej pro nízké teploty najdete v části *Výměna motorového oleje na strani 40*.

¹⁹ Emise hluku v životním prostředí měřené jako akustický výkon (L_{WA}) v souladu se směrnici 2000/14/ES.

²⁰ Uváděná data pro hladinu tlaku zvuku mají typickou statistickou odchylku (standardní odchylku) 1,2 dB (A).

²¹ Uváděná data o úrovni vibrací mají typickou statistickou odchylku (standardní odchylku) 0,2 m/s².

| | LC 140P | LC 140SP |
|----------------------------------|---------|----------|
| Pohon | | |
| Rychlost vlastního pojezdu, km/h | - | 4 |

ES Prohlášení o shodě

ES Prohlášení o shodě

Husqvarna AB, SE-561 82 Huskvarna, Švédsko, tel:
+46-36-146500, prohlašuje, že **sekačka na trávu**
Husqvarna LC 140P, LC 140SP vyrobená v roce 2020
a později splňuje požadavky SMĚRNICE RADY:

- z 8. června 2011 o „omezení používání některých nebezpečných látek“ **2011/65/EU**
- ze 17. května 2006 „týkající se strojních zařízení“ **2006/42/ES**
- z 26. února 2014 „týkající se elektromagnetické kompatibility“ **2014/30/EU**,
- z 8. května 2000 „týkající se emisí hluku v okolním prostředí“ **2000/14/ES**.

Informace o emisích hluku najdete v kapitole "Technické údaje".

Byly uplatněny následující normy:

EN ISO 5395-1:2013, EN ISO 5395-1:2013/A1, EN ISO 5395-2:2013, EN ISO 5395-2:2013/A1:2016, EN ISO 5395-2:2013/A2:2017, EN ISO 14982:2009

Není-li uvedeno jinak, platí výše uvedené normy v poslední vydané verzi.

Oznámený subjekt: **0036, TÜV SÜD Industrie Service GmbH, Westendstrasse 199, 80686 München, Germany** provedl vyhodnocení shody podle přílohy VI směrnice 2000/14/ES.

Huskvarna, 2020-10-20



Claes Losdal, Development Manager/Garden Products (ředitel vývoje zahradního sortimentu) (Autorizovaný zástupce společnosti Husqvarna AB a osoba odpovědná za technickou dokumentaci.)

Indhold

| | | | |
|----------------------|----|---|----|
| Indledning..... | 46 | Fejlfinding af motor..... | 54 |
| Sikkerhed..... | 47 | Transport, opbevaring og bortskaffelse..... | 55 |
| Montering..... | 49 | Tekniske data..... | 55 |
| Drift..... | 50 | EU-overensstemmelseserklæring..... | 58 |
| Vedligeholdelse..... | 51 | | |

Indledning

Produktbeskrivelse

Produktet er en roterende plæneklipper med gående fører. Græsset opsamles i en græsopsamler. Fjern græsopsamleren for at få bagudkast af græsset.

Produktoversigt

(Fig. 1)

1. Håndtag / styrestang
2. Bøjle til fremtræk (LC 140SP)
3. Startsnorens håndgreb
4. Græsopsamler
5. Brændstoffank
6. Luffilter
7. Tændrør
8. Klippeskjold
9. Lyddæmper
10. Olietankdæksel
11. Klippehøjdehåndtag
12. Bageste dæksel
13. Motorbremsehåndtag
14. Symboler
15. Nederste håndtagsenhed
16. Nederste håndtag
17. Brugsanvisning
18. Olietragt

Symboler på produktet

- (Fig. 2) **ADVARSEL!** Vær forsigtig, og brug produktet korrekt. Dette produkt kan forårsage alvorlig personskade eller død for brugeren eller andre.
- (Fig. 3) Læs brugsanvisningen omhyggeligt igennem, og sørg for at have forstået instruktionerne, inden du bruger produktet.
- (Fig. 4) Pas på udslyngede genstande og rikochettering.
- (Fig. 5) Hold uvedkommende personer og dyr på sikker afstand af arbejdsstedet.

Anvendelsesformål

Brug produktet til at slå græs. Brug ikke produktet til andre opgaver.

- (Fig. 6) Advarsel: Hold hænder og fødder på sikker afstand af den roterende klinge.
- (Fig. 7) Advarsel: Hold hænder og fødder på sikker afstand af bevægelige dele.
- (Fig. 8) Stands motoren, og fjern tændingskablet, før der udføres reparationer eller vedligeholdelsesarbejde.
- (Fig. 9) Dette produkt er i overensstemmelse med gældende CE-direktiv.
- (Fig. 10) Støjemissioner til omgivelserne i henhold til EF-direktiv. Produktets emission fremgår af kapitlet Tekniske data og af mærkaten.
- (Fig. 11) Brandfare.
- (Fig. 12) Indånd ikke udstødningsgasser. Udstødningsgasserne fra motoren indeholder kulilte, som er en lugtfri, giftig og meget farlig gasart. Undlad at starte motoren indendørs eller i lukkede rum.
- (Fig. 13) Varm overflade.
- (Fig. 14) Fyld motoren med olie, før du starter produktet.

Bemærk: Andre symboler/mærkater på produktet henviser til certificeringskrav i visse handelsområder.

Euro V-emissioner



ADVARSEL: Ved manipulation af motoren bortfalder EU-typegodkendelsen af dette produkt.

Produktansvar

Som nævnt i produktansvarsbestemmelserne hæfter vi ikke for skader forårsaget af vores produkt, hvis:

- produktet er forkert repareret.
- produktet er repareret med dele, der ikke er fra producenten eller ikke er godkendt af producenten

Sikkerhed

Sikkerhedsdefinitioner

Advarsler, forholdsregler og bemærkninger bruges til at pege på særligt vigtige dele af brugsanvisningen.



ADVARSEL: Bruges, hvis føreren udsætter sig selv eller omkringstående personer for risiko for personskade eller dødsfald ved tilsidesættelse af instruktionerne i brugsanvisningen.



BEMÆRK: Bruges, hvis der er risiko for skader på produktet, andre materialer eller det omgivende område ved tilsidesættelse af instruktionerne i brugsanvisningen.

Bemærk: Bruges til at give yderligere oplysninger, der er nødvendige i en given situation.

Generelle sikkerhedsinstruktioner



ADVARSEL: Læs følgende advarselsinstruktioner, inden du bruger produktet.

- Dette produkt er farligt, hvis det bruges forkert, eller hvis du ikke er forsigtig. Personskade eller dødsfald kan forekomme, hvis du ikke overholder sikkerhedsinstruktionerne.
- Dette produkt danner et elektromagnetisk felt under drift. Dette felt kan i nogle tilfælde påvirke aktive eller passive medicinske implantater. For at reducere risikoen for alvorlige eller dødbringende kvæstelser anbefaler vi, at personer med medicinske implantater kontakter deres læge og producenten af det medicinske implantat, før de tager produktet i brug.
- Vær altid forsigtig, og brug din sunde fornuft. Hvis du ikke er sikker på, hvordan produktet betjenes en særlig situation: Stop, og kontakt Husqvarna forhandleren, inden du fortsætter.
- Vær opmærksom på, at føreren er ansvarlig for ulykker, der involverer andre personer eller disses ejendom.
- Hold produktet rent. Sørg for, at skilte og mærkater er tydeligt læsbare.

- produktet har tilhør, der ikke er fra producenten eller ikke er godkendt af producenten.
- produktet ikke er repareret på et godkendt servicecenter eller af en godkendt myndighed.

- Lad ikke en person bruge produktet, medmindre du er sikker på, at vedkommende har læst og forstået indholdet i denne brugsanvisning.
- Lad ikke børn betjene produktet.
- Hold børn væk fra arbejdsområdet. En voksen skal være til stede hele tiden.
- Lad ikke en person uden kendskab til vejledningen betjene produktet.
- Hold altid øje med personer med nedsat fysisk eller mental kapacitet, der bruger produktet. En voksen skal være til stede hele tiden.
- Brug ikke produktet, hvis du er træt, syg eller påvirket af alkohol, narkotika eller medicin. Det har en negativ virkning på synet, overblikket, koordinationsevnen og dømmekraften.
- Brug ikke produktet, hvis det er fejlbehæftet.
- Foretag ikke ændringer på produktet, og undlad at bruge det, hvis der er risiko for, at det er blevet ændret af andre.
- Foretag ikke ændringer i justeringen af motoromdrejningsstyringen.

Sikkerhed i arbejdsområdet



ADVARSEL: Læs følgende advarselsinstruktioner, inden du bruger produktet.

- Fjern genstande såsom grene, kviste og sten fra arbejdsområdet, inden du bruger produktet.
- Genstande, som rammer skæredestyret, kan udslynges og forårsage person- og tingskade. Hold omkringstående personer og dyr på sikker afstand af produktet.
- Undlad at bruge produktet i dårligt vejr, som f.eks. tåge, regn, hård vind, kraftig kulde og ved risiko for lynnedslag. Det kan være trættende at bruge produktet i dårligt vejr eller i fugtige eller våde områder. Dårligt vejr kan medføre farlige forhold, f.eks. glatte underlag.
- Pas på personer, genstande og situationer, som kan forhindre sikker brug af produktet.
- Pas på forhindringer som f.eks. rødder, sten, kviste, huller og grøfter. Langt græs kan skjule hindringer.
- Det kan være farligt at klippe græs på skråninger. Brug ikke produktet på skråninger, der hælder mere end 15°.

- Lad produktet køre på tværs af skråninger. Kør ikke op og ned.
- Vær forsigtig, når du nærmer dig uoverskuelige hjørner og genstande, som blokerer for udsynet.

Arbejdssikkerhed



ADVARSEL: Læs følgende advarelsinstruktioner, inden du bruger produktet.

- Brug kun produktet til græsslåning. Det er ikke tilladt at bruge det til andre opgaver.
- Bær personligt beskyttelsesudstyr. Se *Personligt beskyttelsesudstyr på side 48*.
- Sørg for, at du ved, hvordan du standser motoren hurtigt i nødstilfælde.
- Start aldrig motoren i et lukket rum eller i nærheden af brandfarlige materialer. Motorens udstødningsgasser er varme og kan indeholde gnister, som kan forårsage brand.
- Betjen ikke produktet, medmindre klingens og alle afskærmninger er monteret korrekt. En forkert monteret klinge kan løsne sig og forårsage personskade.
- Sørg for, at klingens ikke rammer genstande som f.eks. sten og rødder. Det kan beskadige kniven og bøje motoraksel. En bøjet aksel giver kraftige vibrationer og stor risiko for, at kniven løsner sig.
- Hvis kniven rammer en genstand, eller der opstår vibrationer, skal du straks standse produktet. Tag tændkablet af tændrøret. Undersøg, om produktet er blevet beskadiget. Reparer skader, eller lad et autoriseret serviceværksted udføre reparationen.
- Fastgør aldrig motorbremsehåndtaget permanent på styret, når motoren er startet.
- Anbring produktet på et stabilt, fladt underlag, og start det. Sørg for, at kniven ikke rammer jorden eller andre genstande.
- Hold dig altid bag produktet, mens du betjener det.
- Lad alle hjulene blive på jorden, og hold 2 hænder på styret, når du betjener produktet. Hold hænder og fødder på sikker afstand af de roterende klinger.
- Tip ikke produktet, når motoren er startet.
- Vær forsigtig, når du trækker produktet baglæns.
- Løft aldrig produktet, når motoren er startet. Hvis du skal løfte produktet, skal du først standse motoren og frakoble tændkablet fra tændrøret.
- Gå ikke baglæns, når du bruger produktet.
- Stands motoren, når du bevæger dig hen over områder uden græs, f.eks. stier med grus, sten og asfalt.
- Undlad at køre med produktet, når motoren er startet. Gå altid fremad, når du bruger produktet.
- Stands motoren, inden du ændrer klippehøjden. Foretag aldrig justeringer, når motoren er startet.
- Efterlad aldrig produktet uden opsyn, når motoren er startet. Stands motoren, og sørg for, at skæreudstyret ikke roterer.

Sikkerhedsinstruktioner for drift

Personligt beskyttelsesudstyr



ADVARSEL: Læs følgende advarelsinstruktioner, inden du bruger produktet.

- Personligt beskyttelsesudstyr udelukker ikke fuldstændigt risikoen for personskader, men det mindsker graden af skaderne i tilfælde af, at der skulle ske en ulykke. Lad forhandleren hjælpe dig med at vælge det rigtige udstyr.
- Brug høreværn, hvis støjniveauet er højere end 85 dB.
- Brug kraftige, skridsikre støvler eller sko. Brug ikke åbne sko, og gå heller ikke på bare fødder.
- Brug kraftige, lange bukser.
- Brug om nødvendigt beskyttelseshandsker, f.eks. ved montering, eftersyn eller rengøring af skæreudstyret.

Sikkerhedsanordninger på produktet



ADVARSEL: Læs følgende advarelsinstruktioner, inden du bruger produktet.

- Brug ikke et produkt med defekte sikkerhedsanordninger.
- Kontrollér sikkerhedsanordningerne regelmæssigt. Hvis sikkerhedsanordningerne er defekte, skal du henvende dig til dit Husqvarna-serviceværksted.

Sådan kontrolleres klippeskjoldet

Klippeskjoldet mindsker vibrationer i produktet og reducerer risikoen for skader fra klingens.

- Undersøg klippeskjoldet for at sikre, at der ikke er skader såsom revner.

Sådan kontrolleres motorbremsehåndtaget.

Motorbremsehåndtaget standser motoren. Når motorbremsehåndtaget slippes, standser motoren.

- Start motoren, og slip derefter motorbremsehåndtaget. Hvis motoren ikke standser inden for 3 sekunder, skal et godkendt Husqvarna serviceværksted justere motorbremsen. (Fig. 15)

Lyddæmper

Lyddæmperen sikrer et minimalt støjniveau og sender udstødningsgasserne væk fra føreren.

Brug ikke produktet, hvis lyddæmperen mangler eller er defekt. En defekt lyddæmper øger støjniveauet og risikoen for brand.



ADVARSEL: Lyddæmperen bliver meget varm under og efter brug, og når motoren kører i tomgang. Vær forsigtig i nærheden af brandfarlige materialer og/eller dampe for at forhindre brand.

Brændstofsikkerhed



ADVARSEL: Læs følgende advarselsinstruktioner, inden du bruger produktet.

- Start ikke produktet, hvis der er brændstof eller motorolie på produktet. Fjern uønsket brændstof/olie og lad produktet tørre.
- Hvis du får brændstof på dit tøj, skal du skifte tøj med det samme.
- Undgå at få brændstof på kroppen, da det kan forårsage personskader. Hvis du får brændstof på kroppen, skal du bruge sæbe og vand til at fjerne brændstoffet.
- Start ikke produktet, hvis motoren lækker. Undersøg regelmæssigt motoren for lækager.
- Vær forsigtig med brændstof. Brændstof er letantændeligt og dampe er eksplosive og kan medføre personskader eller dødsfald.
- Undgå at indånde brændstoffedampene, da det kan forårsage personskader. Sørg for, at der er tilstrækkelig luftstrøm.
- Ryg ikke i nærheden af brændstof eller motor.
- Anbring ikke varme genstande i nærheden af brændstof eller motor.
- Fyld ikke brændstof på, når motoren er tændt.
- Sørg for, at motoren er afkølet, inden du fylder brændstof på.
- Før du fylder brændstof på, skal du åbne brændstoftankens dæksel langsomt og forsigtigt udløse trykket.
- Fyld ikke brændstof på motoren i et indendørs område. Utilstrækkelig med luftstrøm kan forårsage personskader eller dødsfald på grund af kvælning eller kulilte.

- Spænd brændstoftankens dæksel helt. Hvis brændstoftankens dæksel ikke spændes, opstår der risiko for brand.
- Flyt produktet minimum 3 m / 10 ft fra det sted, hvor du fyldte tanken, før du starter det.
- Fyld aldrig brændstoftanken helt op. Varme får brændstoffet til at udvide sig. Sørg for at bevare ledig plads øverst i brændstoftanken.

Sikkerhedsinstruktioner for vedligeholdelse



ADVARSEL: Læs følgende advarselsinstruktioner, inden du bruger produktet.

- Udstødningsgasserne fra motoren indeholder kulilte, som er en lugtfri, giftig og meget farlig gasart. Undlad at starte motoren indendørs eller i lukkede rum.
- Før der udføres vedligeholdelse af produktet, standses motoren, og tændkablet tages af tændrøret.
- Brug handsker, når du udfører vedligeholdelse på skæreudstyret. Klinge er meget skarp, og du kan nemt komme til at skære dig.
- Tilbehør til og ændringer på produktet, som ikke er godkendt af producenten, kan medføre alvorlig personskade eller dødsfald. Undlad at ændre produktet. Brug altid reservedele, der er godkendt af producenten.
- Hvis vedligeholdelsen ikke udføres korrekt og regelmæssigt, øges risikoen for personskade og beskadigelse af produktet.
- Foretag kun den form for vedligeholdelse, der er angivet i denne instruktionsbog. Eventuel anden service skal udføres af et godkendt Husqvarna serviceværksted.
- Lad et godkendt Husqvarna serviceværksted foretage regelmæssig service af produktet.
- Udskift beskadigede, slidte eller defekte dele.

Montering

Sådan samles håndtaget

1. Skub skruen (A) gennem håndtaget (B), plastikskiven (C) og håndtagets støttebeslag (D). (Fig. 16)
2. Spænd møtrikken (E) helt.
3. Skub skruen (F) gennem skiven (G) og håndtagets støttebeslag.
4. Spænd knappen (H) helt.
5. Juster hullerne på styret med hullerne i det nederste håndtag, og monter skruerne, skiver og knopper. Spænd skruelhåndtagene hårdt. (Fig. 17)

6. Fastgør kablerne til styret med kabelholderne. (Fig. 18)

Bemærk: Sørg for, at opspændingen af kablerne ikke er for høj. For høj en spænding kan beskadige kablet, hvis håndtaget er foldet op i transportposition.

7. Anbring kablerne omkring krogen i bunden af styret. (Fig. 19)

Sådan justeres håndtagets højde

1. Løsn de nederste skruelhåndtag. (Fig. 20)

2. Fjern grebet, skiven og skruen på venstre og højre side.
3. Styret kan indstilles til 2 forskellige højder. Sæt skruen i et af de 2 huller i venstre og højre side. (Fig. 21)
4. Fastgør skruer, skiver og skruer på venstre og højre side.
5. Flyt grebene op i retning af håndtaget, indtil de stopper, og der høres et klik. Spænd skruer på venstre og højre side. (Fig. 22)

Sådan sættes produktet i transportposition

1. Fjern græsopsamleren.
2. Løsn skruer på den øverste del af håndtaget, og fold håndtaget nedad. (Fig. 23)
3. Løsn de nederste skruer på håndtag.
4. Flyt grebene til den nederste ende af rillerne på venstre og højre side af produktet. (Fig. 24)
5. Fold håndtaget fremad. (Fig. 25)

Sådan sættes produktet i driftstilling

1. Løft styret, indtil det nederste håndtag låses fast i driftstilling. (Fig. 26)

2. Flyt grebene op i retning af håndtaget, indtil de stopper, og der høres et klik.
3. Spænd skruer på venstre og højre side. (Fig. 27)
4. Løft den øverste del af styret.
5. Spænd skruer på venstre og højre side. (Fig. 28)

Sådan samles græsopsamleren

1. Fastgør græsopsamlerens øverste del til græsopsamlerens nederste del. (Fig. 29)
2. Fastgør græsopsamlerens ramme med clipsene. (Fig. 30)
3. Løft det bageste dæksel.
4. Sæt græsopsamlerens kroge på chassisets øverste kant. (Fig. 31)
5. Sæt græsopsamlerens nederste del i græsudkastkanalen.

Drift

Indledning



ADVARSEL: Før du bruger produktet, skal du læse og forstå kapitlet om sikkerhed.

Husqvarna Connect

Husqvarna Connect er en gratis app til din mobile enhed. Appen Husqvarna Connect giver udvidede funktioner til dit Husqvarna produkt:

- Yderligere produktoplysninger.
- Oplysninger om, og hjælp til, dele og service.

Sådan kommer du i gang med at bruge Husqvarna Connect

1. Download Husqvarna Connect appen på din mobile enhed.
2. Tilmeld dig i Husqvarna Connect appen.
3. Følg instruktionerne i Husqvarna Connect appen for at tilslutte og registrere produktet.

Før du bruger produktet

1. Læs brugsanvisningen omhyggeligt igennem, og sørg for at have forstået instruktionerne.
2. Undersøg skæredestyret for at sikre, at det er korrekt monteret og justeret. Se *Sådan efterses skæredestyret på side 52.*

3. Fyld brændstoftanken. Se *Sådan påfyldes brændstof på side 50.*
4. Fyld olietanken, og efterse oliestanden. Se *Sådan kontrolleres oliestanden på side 53.*

Sådan påfyldes brændstof

Brug benzin med lavt emissionsniveau/alkylatbenzin, hvis det er tilgængeligt. Hvis du ikke har mulighed for at bruge benzin med lavt emissionsniveau/alkylatbenzin, skal du anvende en blyfri benzin af god kvalitet eller blyholdig benzin med et oktantal ikke under 91.



BEMÆRK: Brug ikke benzin med et oktantal under 91 RON. Det kan forårsage skader på produktet.



BEMÆRK: Udskift brændstoffilteret årligt eller oftere, hvis det er nødvendigt. Et nyt brændstoffilter vil være tilgængeligt hos din Husqvarna-forhandler.



BEMÆRK: Stands altid motoren, inden du påfylder brændstof.



BEMÆRK: Brug ikke startvæsker under tryk.

1. Åbn brændstoftankens dæksel langsomt for at aflaste trykket.
2. Påfyld brændstof langsomt med en benzindunk. Hvis du spilder brændstof, fjernes det med en klud. Lad resterende brændstof fordampe. (Fig. 32)
3. Rengør omkring brændstoftankens dæksel.
4. Spænd brændstoftankens dæksel helt. Hvis brændstoftankens dæksel ikke spændes, opstår der risiko for brand.
5. Flyt produktet minimum 3 m / 10 ft fra det sted, hvor du fyldte tanken, før du starter det.

Sådan indstilles klippehøjden

1. Flyt klippehøjdehåndtaget bagud for at øge klippehøjden.
2. Flyt klippehøjdehåndtaget fremad for at mindske klippehøjden. (Fig. 33)



BEMÆRK: Indstil ikke klippehøjden for lavt. Knivene kan ramme jorden, hvis græsplænenes overflade ikke er jævn.

Sådan startes produktet

1. Kontroller, at tændkablet er tilsluttet til tændrøret.
2. Stil dig bag produktet.
3. Hold motorbremsehåndtaget ind mod styret. (Fig. 34)
4. Hold fast i startsnorens håndgreb med højre hånd.
5. Træk langsomt startsnoren ud, indtil der føles modstand.
6. Træk kraftigt, indtil motoren starter.



ADVARSEL: Vikl aldrig startsnoren rundt om hånden.

Sådan bruges hjulenes fremtræk ()

- Skub bøjlen til fremtrækket i retning mod styret. (Fig. 35)
- Slip bøjlen til fremtrækket for at frakoble det, f.eks. når du nærmer dig en forhindring.
- Før produktet trækkes baglæns, frakobles fremtrækket, og produktet skubbes ca. 10 cm fremad.

Sådan standses produktet

- For kun at standse drevet slippes bøjlen til fremtrækket.
- Motoren standses ved at slippe motorbremsehåndtaget.

Sådan opnår du et godt resultat

- Sørg altid for, at klingen er skarp. En sløv klinge giver et uregelmæssigt resultat, og græssets snitflade bliver gul. En skarp klinge bruger desuden mindre energi end en sløv klinge.
- Klip aldrig mere end $\frac{1}{3}$ af græssets længde. Klip først med klippehøjden indstillet højt. Efterse resultatet, og sænk derefter klippehøjden til det ønskede niveau. Hvis græsset er meget højt, skal du køre langsomt og om nødvendigt klippe 2 gange.
- Klip i forskellige retninger hver gang for at undgå striber i græsplænen.

Vedligeholdelse

Indledning



ADVARSEL: Inden der foretages vedligeholdelse, skal du læse og forstå kapitlet om sikkerhed.

Alt service- og reparationsarbejde på produktet kræver specialuddannelse. Vi garanterer faglig korrekt reparation og service. Hvis forhandleren ikke er et serviceværksted, kan vedkommende oplyse om nærmeste serviceværksted.

Vedligeholdelsesskema



BEMÆRK: Sørg for, at luftfilteret er oppe og ikke rammer imod jorden, når du vipper produktet. Risiko for motorskade.

Vedligeholdelsesintervallerne er fastlagt baseret på daglig brug af produktet. Intervallerne ændres, hvis produktet ikke bruges dagligt.

For vedligeholdelse mærket med * henvises til vejledningen i *Sikkerhedsanordninger på produktet på side 48*.

| Vedligeholdelse | Hver dag | Månedligt | Hver sæson |
|---|----------|-----------|------------|
| Foretag et generelt eftersyn | X | | |
| Efterse oliestanden | X | | |
| Skift olie (første gang efter 5 timers brug, derefter efter hver 50 timers brug). ²² | | | X |
| Rengør produktet | X | | |
| Efterse skæreudstyret | X | | |
| Efterse klippeskjoldet * | X | | |
| Efterse motorbremsehåndtaget * | X | | |
| Efterse lyddæmperen * | | X | |
| Efterse tændrøret. Rengør eller udskift tændrøret, når det er nødvendigt | | | X |
| Undersøg luftfilteret | X | | |
| Rens luftfilteret ²³ | | X | |
| Udskift luftfilteret | | | X |
| Efterse brændstofsystemet | | | X |
| Rens køleribberne på cylinderen | | X | |
| Efterse og justér koblingskablet (LC 140SP) | | | X |

Sådan udføres et generelt eftersyn

- Sørg for, at alle møtrikker og skruer på produktet er spændt korrekt.

Sådan rengøres produktet udvendigt

- Brug en børste til at fjerne blade, græs og snavs.
- Sørg for, at luftindtaget oven på motoren ikke er blokeret.
- Brug ikke en højtryksrenser til at rengøre produktet.
- Hvis du bruger vand til at rengøre produktet, må vandet ikke sprøjtes direkte på motoren.

Sådan rengøres indersiden af klippeskjoldet

- Tøm brændstoftanken.
- Vip produktet. Sørg for, at tændrøret peger opad.



BEMÆRK: Hvis produktet anbringes med luftfilteret nedad, kan motoren tage skade.

- Spul indersiden af klippeskjoldet med vand.

²² Hvis produktet betjenes med stor belastning eller ved høje omgivelsestemperaturer, skal motorolien udskiftes hver 25. time.

²³ Rengør oftere under støvede forhold, eller når der er luftbårne partikler til stede. Udskift luftfilteret, hvis det er meget navset.

Sådan efterses skæreudstyret



ADVARSEL: Tændkablet tages af tændrøret for at undgå utilsigtet start af motoren.



ADVARSEL: Brug handsker, når du udfører vedligeholdelse på skæreudstyret. Klingen er meget skarp, og du kan nemt komme til at skære dig.

- Efterse skæreudstyret for skader eller revner. Udskift altid skæreudstyret, hvis det er beskadiget.
- Kig på klingens for at se, om den er beskadiget eller sløv.

Bemærk: Kniven skal afbalanceres, efter den er blevet slebet. Lad et servicecenter skærpe, udskift og afbalancere klingens. Hvis du rammer en forhindring, der får produktet til at standse, udskiftes den beskadigede klinge. Lad servicecenteret vurdere, om klingens kan files, eller om den skal udskiftes.

Sådan udskiftes klingen

1. Lås klingen med en trækloids. (Fig. 36)
2. Fjern klingebolten.
3. Afmonter klingen.
4. Efterse klingeophæng og klingebolt for at se, om der er skader.
5. Efterse motorakslen for at sikre, at den ikke er bøjet.
6. Når du sætter den nye klinge på, skal klingens ender pege i retning af klippeskjoldet. (Fig. 37)
7. Sørg for, at klingen flugter med motorakslens centrum.
8. Lås klingen med en trækloids. Monter fjederskiven, og spænd boltene og skiven med et tilspændingsmoment på 45–60 Nm. (Fig. 38)
9. Træk klingen rundt pr. håndkraft, og kontrollér, at den drejer frit.



ADVARSEL: Brug sikkerhedshandsker. Klingen er meget skarp, og du kan nemt komme til at skære dig.

10. Start produktet for at afprøve klingen. Hvis skiven ikke er korrekt fastgjort, forekommer der vibrationer i produkt, eller klipperesultatet bliver utilfredsstillende.

Sådan kontrolleres oliestanden



BEMÆRK: Hvis olieniveaulet er for lavt, kan det medføre motorskader. Kontroller oliestanden, før du starter produktet.

1. Anbring produktet på et plant underlag.
2. Afmonter olietankens dæksel, hvorpå oliepinden sidder.
3. Tør olien af oliepinden.
4. Stik oliepinden helt ned i olietanken for at få et korrekt billede af oliestanden.
5. Fjern oliepinden.
6. Kontroller oliestanden på målepinden.
7. Hvis oliestanden er lav, skal der efterfyldes med motorolie, og foretag derefter en kontrol af oliestanden igen.

Bemærk: Brug en tragt for at undgå at spilde.

Sådan udskiftes motorolien



ADVARSEL: Motorolien er meget varm umiddelbart efter, at motoren er standset. Lad motoren køle af, før du aftapper motorolien. Hvis du spilder motorolie på huden, kan den fjernes med vand og sæbe.

(Fig. 39)

Bemærk: Brug 4-taktsmotorolie. Sørg for at bruge den korrekte viskositet til den omgivende temperatur.

1. Brug produktet, indtil brændstoftanken er tom.
2. Tag tændkablet af tændrøret.
3. Tag olietankens dæksel af.
4. Aftap motorolien fra olietanken med en oliepumpe (tilbehør).
5. Påfyld ny motorolie af den type, der anbefales i *Tekniske data på side 55*.
6. Kontroller oliestanden. Se *Sådan kontrolleres oliestanden på side 53*.

Sådan rengøres skumplastfilteret

1. Fjern luftfilterdækslet og skumplastfilteret.
2. Rens skumplastfilteret med vand og sæbe.
3. Skyl skumplastfilteret i rent vand.
4. Vrid vandet ud af skumplastfilteret, og lad det tørre.



BEMÆRK: Brug ikke trykluft. Det kan medføre beskadigelse af skumplastfilteret.

5. Smør skumplastfilteret med motorolie.
6. Pres en ren klud ind mod skumplastfilteret for at fjerne uønsket olie.
7. Sæt luftfilteret på igen. Sørg for, at luftfilteret ligger helt tæt ind til luftfilterholderen.
8. Sæt luftfilterdækslet på igen.

Sådan undersøger du tændrøret



BEMÆRK: Brug altid anbefalet tændrørstype. Forkert tændrørstype kan forårsage skader på produktet.

- Undersøg tændrøret, hvis motoren mangler kraft, ikke starter nemt eller ikke fungerer korrekt i tomgangshastighed.
- Sådan mindsker du risikoen for uønsket materiale på tændrørets elektroder, følg disse instruktioner:
 - a) Sørg for, at omdrejningstallet i tomgang er indstillet korrekt.
 - b) Sørg for, at brændstofblandingen er korrekt.
 - c) Sørg for, at luftfilteret er rent.
- Hvis tændrøret er beskidt, skal det renses, og samtidig skal det kontrolleres, at elektrodeafstanden er korrekt, se *Tekniske data på side 55*. (Fig. 40)
- Udskift tændrøret, når det er nødvendigt.

Sådan undersøger du brændstofsyste

- Efterse brændstoftankens dæksel og pakningen til brændstoftankens dæksel for at sikre, at der ikke er nogen skader.

- Efterse brændstofslangen for at sikre, at der ikke er utætheder. Hvis brændstofslangen er beskadiget, skal du lade et serviceværksted skifte den.

Sådan justeres koblingskablet ((LC 140SP))

I nedenstående tilfælde er det nødvendigt at forkorte længden af koblingskablet:

- Hjulenes fremtræk aktiveres ikke, når du trækker i bøjlen til fremtræk eller i omdrejningstalreguleringen.
- Produktet kører langsomt, når hjulenes fremtræk er aktiveret.

I nedenstående tilfælde er det nødvendigt at øge længden af koblingskablet:

- Produktet kører, når hjulenes fremtræk ikke er aktiveret.
- Justering af koblingskablet.
 - a) Reducer længden af koblingskablet ved at dreje justerskruen mod uret.
 - b) Øg længden af koblingskablet ved at dreje justerskruen med uret. (Fig. 41)

Hvis produktet fortsat kører utilfredsstillende efter justeringen, skal du tale med en autoriseret serviceforhandler

Fejlfinding af motor

| Problem | Mulig årsag | Løsning |
|---------------------------|---|---|
| Motoren starter ikke. | Tændingskablet er ikke forbundet korrekt. | Tilslut tændingskablet til tændrøret. |
| | Brændstoftanken er tom. | Fyld den korrekte brændstoftype i tanken. |
| | Brændstoffet er gammelt. | Tøm brændstoftanken og karburatoren. Påfyld ny benzin. |
| | Der er snavs i karburator eller brændstofledning. | Rengør karburatoren og/eller brændstofledningen. |
| | Tændrøret er defekt. | Juster elektrodeafstanden, rengør eller udskift tændrøret. |
| | Der er brændstof på tændrøret. | Rens tændrøret. |
| Motoren standser ikke. | Stopmekanismen er defekt. | Tag tændkablet af tændrøret. Lad et godkendt serviceværksted reparere produktet. |
| Motoren kører ikke jævnt. | Tændingskablet er ikke forbundet korrekt. | Tilslut tændingskablet til tændrøret. |
| | Der er snavs i brændstofledningen, eller der er ikke mere brændstof på produktet. | Rengør brændstoffilførslen. Fyld brændstoftanken op med nyt brændstof af den rigtige slags. |
| | Der er en blokering i brændstoftankens dæksel. | Rengør brændstoftankens dæksel. |
| | Der er vand eller snavs i brændstoftsystemet. | Tøm brændstoftanken. Fyld brændstoftanken op med nyt brændstof af den rigtige slags. |
| | Luffilteret er tilstoppet. | Rens luffilteret. |
| | Karburatoren skal justeres. | Lad en serviceforhandler justere karburatoren. |

| Problem | Mulig årsag | Løsning |
|--|---|--|
| Motoren bliver for varm. | Motoroliestanden er for lav. | Påfyld motorolie. |
| | Luftstrømmen er ikke tilstrækkelig. | Rengør luftfilteret og luftfilterhuset. |
| | Karburatoren skal justeres. | Lad en serviceforhandler justere karburatoren. |
| Der sker fejltænding i motoren, når den kører ved høj hastighed. | Elektrodeafstanden i tændrøret er for lille. | Juster elektrodeafstanden. |
| Usædvanlig støj fra motoren under normal belastning. | Forkert type benzin. | Tøm brændstoftanken og karburatoren. Påfyld ny benzin. Se <i>Sådan påfyldes brændstof på side 50</i> . Hvis problemet fortsætter, skal du kontakte din lokale serviceforhandler. |
| Motoren fungerer ikke korrekt i tomgangshastighed. | Tændrøret er tilstoppet, defekt eller elektrodeafstanden er for stor. | Juster elektrodeafstanden, eller udskift tændrøret. |
| | Karburatoren skal justeres. | Juster karburatoren. |
| | Luftfilteret er tilstoppet. | Rens luftfilteret. |

Transport, opbevaring og bortskaffelse

Transport og opbevaring

- Ved opbevaring og transport af produktet og brændstoffet, skal du sørge for, at der ikke er utætheder eller dampe. Gnister eller åben ild, f.eks. fra elektriske enheder eller kedler, kan starte en brand.
- Brug altid godkendte beholdere til opbevaring og transport af brændstof.
- Tøm brændstoftanken, inden du stiller produktet væk i en længere periode. Bortskaf brændstoffet på en lokal miljøstation
- Fastgør produktet sikkert under transport for at undgå skader og uheld.

- Opbevar produktet i et aflåst område utilgængeligt for børn eller personer, som ikke er godkendt.
- Opbevar produktet på et tørt og frostfrit sted.

Bortskaffelse

- Overhold de lokale krav til genanvendelse og de gældende regler.
- Bortskaf alle kemikalier, som f.eks. motorolie eller brændstof, hos et servicecenter eller på en lokal miljøstation.
- Når produktet ikke længere er i brug, skal det sendes til en Husqvarna forhandler eller bortskaffes på en lokal genbrugsstation.

Tekniske data

Tekniske data

| | LC 140P | LC 140SP |
|-----------------------|---|---|
| Motor | | |
| Mærke | Husqvarna | Husqvarna |
| Modelnavn for motoren | HS 123A | HS 123A |
| Motorstype | 1-cylindret, 4-takts fremmedkøling, OHV | 1-cylindret, 4-takts fremmedkøling, OHV |

| | LC 140P | LC 140SP |
|---|----------------------|----------------------|
| Slagvolumen, cm ³ | 123 | 123 |
| Hastighed, o/min. | 3000 | 3000 |
| Nominel motoreffekt, kW ²⁴ | 1,95 | 1,95 |
| Tændingsystem | | |
| Tændrør | Husqvarna HQT-7 | Husqvarna HQT-7 |
| Elektrodeafstand, mm | 0,7-0,8 | 0,7-0,8 |
| Brændstof-/smøresystem | | |
| Motorsmøringstype | Splash | Splash |
| Brændstoftankvolumen, liter | 0,9 | 0,9 |
| Olietankens kapacitet, liter | 0,5 | 0,5 |
| Motorolie ²⁵ | Husqvarna SAE 30 | Husqvarna SAE 30 |
| Vægt | | |
| Med tomme tanke, kg | 25,2 | 26,8 |
| Støjemissioner²⁶ | | |
| Lydeffektniveau, målt, dB(A) | 93 | 93 |
| Lydeffektniveau, garanteret L _{WA} dB(A) | 95 | 95 |
| Lydniveauer²⁷ | | |
| Lydtryksniveau ved brugerens øre, dB(A) | 81 | 81 |
| Vibrationsniveauer²⁸ | | |
| Vibrationer i styret, m/s ² | 5,6 | 7,6 |
| Skæredstyr | | |
| Klippehøjde, mm | 25-75 | 25-75 |
| Klippebredde, mm | 400 | 400 |
| Klippesystem | Opsamling/bagudkast | Opsamling/bagudkast |
| Klinge – standard | Opsamling 5873863-10 | Opsamling 5873863-10 |
| Græsopsamlerens kapacitet, liter | 50 | 50 |
| Kør | | |

²⁴ Motorens effektangivelse er den gennemsnitlige nettoeffekt (ved det anførte omdrejningstal) for en typisk produktionsmodel af motoren målt iht. SAE-standarden J1349/ISO1585. Motorer fra masseproduktionen kan afvige fra denne værdi. Den faktiske effekt på motoren, som monteres i det færdige produkt, vil afhænge af driftshastigheden, miljøhensyn og andre værdier.

²⁵ Hvis SAE-30-olien anvendes ved temperaturer under +5 °C, er der risiko for, at den ikke smører motoren tilstrækkeligt. Dette kan forårsage skader på motoren. Se *Sådan udskiftes motorolien på side 53* for den korrekte olie til lave temperaturer.

²⁶ Emission af støj til omgivelserne målt som lydeffekt (L_{WA}) i henhold til EF-direktiv 2000/14/EF.

²⁷ Rapporterede data for støjtryksniveau har en typisk statistisk spredning (standardafvigelse) på 1,2 dB (A).

²⁸ Rapporterede data for vibrationsniveau har en typisk statistisk spredning (standardafvigelse) på 0,2 m/s².

| | LC 140P | LC 140SP |
|-----------------------------|---------|----------|
| Selvkørende hastighed, km/t | - | 4 |

EU-overensstemmelseserklæring

EU-overensstemmelseserklæring

Husqvarna AB, SE-561 82 Huskvarna, Sverige, tlf.:
+46-36-146500 erklærer, at **plæneklipperen Husqvarna
LC 140P, LC 140SP** fra 2020 og fremefter overholder
forskrifterne i RÅDETS DIREKTIV:

- af den 8. juni 2011 angående "begrænsning af
anvendelsen af visse farlige stoffer" **2011/65/EU**
- af den 17. maj 2006 "angående maskiner"
2006/42/EF
- af den 26. februar 2014 "angående elektromagnetisk
kompatibilitet" **2014/30/EU**
- af den 8. maj 2000 "angående emission af støj til
omgivelserne" **2000/14/EF**

Oplysninger om støjafgivelse findes i de tekniske
specifikationer.

Der er anvendt følgende standarder:

**EN ISO 5395-1:2013, EN ISO 5395-1:2013/A1, EN ISO
5395-2:2013, EN ISO 5395-2:2013/A1:2016, EN ISO
5395-2:2013/A2:2017, EN ISO 14982:2009**

Hvis ikke andet er angivet, er de ovennævnte
standarder de senest udgivne versioner.

Udpeget organ: **0036, TÜV SÜD Industrie Service
GmbH, Westendstrasse 199, 80686 München, Germany**

Har udført overensstemmelsesvurdering i henhold til
Bilag VI i EF-direktiv 2000/14.

Huskvarna, 2020-10-20



Claes Losdal, udviklingschef/haveprodukter (autoriseret
repræsentant for Husqvarna AB og ansvarlig for teknisk
dokumentation)

Inhalt

| | | | |
|-------------------------|-----------|---|-----------|
| Einleitung | 59 | Fehlersuche am Motor | 68 |
| Sicherheit | 60 | Transport, Lagerung und Entsorgung | 69 |
| Montage | 63 | Technische Angaben | 69 |
| Betrieb | 64 | EU-Konformitätserklärung | 72 |
| Wartung | 65 | | |

Einleitung

Produktbeschreibung

Das Produkt ist ein handgeführter Rasenmäher. Das Gras wird in einem Grasfänger gesammelt. Entfernen Sie den Grasfänger, um an den Heckauswurf des Grases zu gelangen.

Verwendungszweck

Verwenden Sie das Gerät zum Schneiden von Gras.
Verwenden Sie das Gerät nicht für andere Aufgaben.

Geräteübersicht

(Abb. 1)

1. Griff/Lenker
2. Antriebsgriff (LC 140SP)
3. Startseilgriff
4. Grasfänger
5. Kraftstofftank
6. Luftfilter
7. Zündkerze
8. Schneidwerkabdeckung
9. Schalldämpfer
10. Öltankdeckel
11. Schnitthöhenhebel
12. Heckklappe
13. Motorbremsgriff
14. Symbole
15. Untere Griffbaugruppe
16. Unterer Griff
17. Bedienungsanleitung
18. Öltrichter

(Abb. 5) Andere Personen oder Tiere müssen sich in sicherem Abstand vom Arbeitsbereich befinden.

(Abb. 6) Warnung: Halten Sie Hände und Füße von der rotierenden Klinge fern.

(Abb. 7) Warnung: Halten Sie Hände und Füße von rotierenden Teilen fern.

(Abb. 8) Schalten Sie vor der Durchführung von Reparatur- oder Wartungsarbeiten den Motor aus, und entfernen Sie das Zündkabel.

(Abb. 9) Dieses Gerät stimmt mit den geltenden CE-Richtlinien überein.

(Abb. 10) Umweltbelastende Geräuschemissionen gemäß der Richtlinie der Europäischen Gemeinschaft. Die Emission des Geräts ist im Abschnitt „Technische Daten“ und auf dem Geräteschild angegeben.

Symbole auf dem Gerät

(Abb. 2) **WARNUNG!** Gehen Sie vorsichtig vor, und verwenden Sie das Gerät ordnungsgemäß. Dieses Gerät kann schwere oder tödliche Verletzungen des Bedieners oder anderer Personen verursachen.

(Abb. 3) Lesen Sie die Bedienungsanleitung sorgfältig durch, und machen Sie sich vor der Benutzung mit dem Inhalt vertraut.

(Abb. 4) Achten Sie auf hochgeschleuderte und abprallende Gegenstände.

(Abb. 11) Brandgefahr.

(Abb. 12) Atmen Sie keine Abgase ein. Die Abgase des Motors enthalten Kohlenmonoxid, ein geruchloses, giftiges und sehr gefährliches Gas. Starten Sie den Motor nicht in Innenräumen oder in geschlossenen Räumen.

(Abb. 13) Heiße Oberfläche.

(Abb. 14) Befüllen Sie den Motor mit Öl, bevor Sie das Gerät starten.

Hinweis: Weitere Symbole/Aufkleber auf dem Gerät beziehen sich auf die Zertifizierungsanforderungen für einige gewerbliche Bereiche.

Emissionen nach Euro V



WARNUNG: Bei jeglichen Manipulationen des Motors erlischt die EU-Typgenehmigung für dieses Produkt.

Produkthaftung

Im Sinne der Produkthaftungsgesetze übernehmen wir keine Haftung für Schäden, die unser Gerät verursacht, wenn...

- das Gerät nicht ordnungsgemäß repariert wird.
- das Gerät mit Teilen repariert wird, die nicht vom Hersteller stammen oder nicht vom Hersteller zugelassen sind.
- ein Zubehörteil mit dem Gerät verwendet wird, das nicht vom Hersteller stammt oder nicht vom Hersteller zugelassen ist.
- das Gerät nicht bei einem zugelassenen Service Center oder von einem zugelassenen Fachmann repariert wird.

Sicherheit

Sicherheitsdefinitionen

Warnungen, Vorsichtsmaßnahmen und Hinweise werden verwendet, um auf besonders wichtige Teile der Bedienungsanleitung hinzuweisen.



WARNUNG: Wird verwendet, wenn bei Nichtbeachtung der Anweisungen in diesem Handbuch die Gefahr von Verletzung oder Tod des Bedieners oder anderer Personen besteht.



ACHTUNG: Wird verwendet, wenn bei Nichtbeachtung der Anweisungen in diesem Handbuch die Gefahr von Schäden am Gerät, an anderen Materialien oder in der Umgebung besteht.

Hinweis: Für weitere Informationen, die in bestimmten Situationen nötig sind.

Allgemeine Sicherheitshinweise



WARNUNG: Lesen Sie die folgenden Warnhinweise, bevor Sie das Gerät benutzen.

- Dieses Gerät ist gefährlich, wenn es falsch bedient wird oder Sie unvorsichtig sind. Wenn die Sicherheitshinweise nicht befolgt werden, kann dies zu Verletzungen oder zum Tod führen.
- Dieses Gerät erzeugt beim Betrieb ein elektromagnetisches Feld. Dieses Feld kann sich unter bestimmten Bedingungen auf die Funktionsweise aktiver oder passiver medizinischer Implantate auswirken. Um die Gefahr von Situationen, die zu schweren oder tödlichen Verletzungen führen können, zu reduzieren, sollten Personen mit einem medizinischen Implantat vor der

Nutzung dieses Geräts ihren Arzt und den Hersteller des Implantats konsultieren.

- Lassen Sie immer Vorsicht walten, und arbeiten Sie mit gesundem Menschenverstand. Wenn Sie sich nicht sicher sind, wie das Gerät in einer bestimmten Situation zu bedienen ist, unterbrechen Sie die Arbeit und wenden sich an Ihren Husqvarna Händler, bevor Sie fortfahren.
- Denken Sie daran, dass der Bediener für Unfälle mit anderen Personen oder deren Eigentum verantwortlich ist.
- Halten Sie das Gerät sauber. Stellen Sie sicher, dass Symbole und Aufkleber deutlich lesbar sind.
- Lassen Sie keine andere Person das Gerät verwenden, es sei denn, Sie haben sich zuvor vergewissert, dass diese Person den Inhalt der Bedienungsanleitung gelesen und verstanden hat.
- Lassen Sie nicht zu, dass Kinder das Gerät verwenden.
- Halten Sie Kinder vom Arbeitsbereich fern. Es muss immer ein verantwortlicher Erwachsener anwesend sein.
- Erlauben Sie nicht, dass Personen ohne Kenntnis der Anweisungen das Gerät bedienen.
- Stellen Sie sicher, dass Personen mit verminderter physischer oder psychischer Leistungsfähigkeit dieses Gerät nicht unbeobachtet verwenden. Es muss immer ein verantwortlicher Erwachsener anwesend sein.
- Verwenden Sie das Gerät nicht, wenn Sie müde oder krank sind oder unter Einfluss von Alkohol, Drogen oder Medikamenten stehen. Dies wirkt sich negativ auf Ihre Sehkraft, Ihre Aufmerksamkeit sowie Ihr Koordinations- und Urteilsvermögen aus.
- Verwenden Sie das Gerät nicht, wenn es defekt ist.
- Verändern oder verwenden Sie dieses Gerät nicht, wenn die Möglichkeit besteht, dass andere es verändert haben.
- Nehmen Sie keine Änderungen an der Einstellung der Motordrehzahlregelung vor.

Sicherheit im Arbeitsbereich



WARNUNG: Lesen Sie die folgenden Warnhinweise, bevor Sie das Gerät benutzen.

- Entfernen Sie Gegenstände wie Äste, Zweige und Steine aus dem Arbeitsbereich, bevor Sie das Produkt verwenden.
- Gegenstände, die auf die Schneid-ausrüstung treffen, können herausgeschleudert werden und Personen und Gegenständen Schaden zufügen. Halten Sie andere Personen und Tiere in einem sicheren Abstand zum Produkt.
- Benutzen Sie das Produkt niemals bei schlechtem Wetter wie Nebel, Regen, starkem Wind, intensiver Kälte und bei der Gefahr eines Blitzeinschlags. Die Verwendung des Produkts bei schlechtem Wetter oder an feuchten oder nassen Stellen ist anstrengend. Schlechtes Wetter kann gefährliche Zustände wie rutschige Oberflächen verursachen.
- Achten Sie auf Personen, Gegenstände und Situationen, die einen sicheren Betrieb des Produkts verhindern könnten.
- Achten Sie auf Hindernisse wie Wurzeln, Steine, Zweige, Löcher und Gräben. Langes Gras kann Hindernisse verdecken.
- Das Mähen von Gras an Steigungen kann gefährlich sein. Verwenden Sie das Produkt nicht in einem Gelände mit einer Neigung von mehr als 15°.
- Betreiben Sie das Produkt quer zum Hang. Bewegen Sie sich nicht nach oben und nach unten.
- Seien Sie vorsichtig, wenn Sie um versteckte Ecken oder Objekte herum fahren, die Ihre freie Sicht verhindern.

Arbeitssicherheit



WARNUNG: Lesen Sie die folgenden Warnhinweise, bevor Sie das Gerät benutzen.

- Verwenden Sie dieses Produkt nur zum Mähen von Rasenflächen. Es ist nicht erlaubt, das Produkt für andere Aufgaben zu verwenden.
- Benutzen Sie eine persönliche Schutzausrüstung. Siehe *Persönliche Schutzausrüstung auf Seite 61*.
- Stellen Sie sicher, dass Sie wissen, wie der Motor in einem Notfall schnell gestoppt werden kann.
- Starten Sie den Motor niemals in einem geschlossenen Raum oder in der Nähe von brennbarem Material. Die Motorabgase sind heiß und können Funken enthalten, die einen Brand verursachen können.
- Starten Sie das Produkt nicht, bevor die Klinge und alle Abdeckungen korrekt befestigt sind. Eine falsch befestigte Klinge kann sich lösen und Personenschaden verursachen.

- Stellen Sie sicher, dass die Klinge nicht auf Gegenstände wie Steine und Wurzeln trifft. Dies kann die Klinge beschädigen und die Motorwelle verbiegen. Eine verbogene Achse führt zu starken Vibrationen und birgt ein hohes Risiko, dass die Klinge sich löst.
- Wenn die Klinge auf ein Objektiv trifft oder Vibrationen auftreten, müssen Sie das Produkt sofort abstellen. Ziehen Sie das Zündkabel von der Zündkerze ab. Untersuchen Sie das Produkt auf beschädigte Teile. Reparieren Sie Schäden oder lassen Sie einen autorisierten Kundendienst die Reparatur durchführen.
- Befestigen Sie die Motorbremse niemals fest am Griff, wenn der Motor läuft.
- Stellen Sie das Produkt auf eine stabile, flache Oberfläche und starten Sie es. Stellen Sie sicher, dass die Klinge nicht den Boden oder ein anderes Objekt berührt.
- Bleiben Sie immer hinter dem Produkt, wenn Sie es betreiben.
- Lassen Sie alle Räder auf dem Boden bleiben und halten Sie den Griff mit 2 Händen, wenn Sie das Produkt betreiben. Halten Sie Hände und Füße von den rotierenden Rasenmäherklingen fern.
- Kippen Sie das Produkt nicht, wenn der Motor läuft.
- Seien Sie vorsichtig, wenn Sie das Produkt nach hinten ziehen.
- Heben Sie das Produkt nicht hoch, wenn der Motor läuft. Wenn Sie das Produkt anheben müssen, schalten Sie zunächst den Motor aus und ziehen Sie das Zündkabel von der Zündkerze ab.
- Gehen Sie nicht rückwärts, wenn Sie das Produkt betreiben.
- Stellen Sie den Motor ab, wenn Sie sich über Bereiche ohne Gras bewegen, zum Beispiel Wege aus Kies, Stein und Asphalt.
- Rennen Sie nicht mit dem Produkt, wenn der Motor läuft. Gehen Sie immer, wenn Sie das Produkt benutzen.
- Stellen Sie den Motor ab, bevor Sie die Schnitthöhe verändern. Verändern Sie die Einstellungen niemals, wenn der Motor läuft.
- Lassen Sie das Produkt niemals aus den Augen, wenn der Motor läuft. Stellen Sie den Motor ab und stellen Sie sicher, dass sich die Schneid-ausrüstung nicht dreht.

Sicherheitshinweise für den Betrieb

Persönliche Schutzausrüstung



WARNUNG: Lesen Sie die folgenden Warnhinweise, bevor Sie das Gerät benutzen.

- Die persönliche Schutzausrüstung kann Verletzungen nicht vollständig vermeiden, vermindert aber den Umfang der Verletzungen und Schäden bei einem Unfall. Lassen Sie sich von

Ihrem Händler bei der Auswahl der richtigen Ausrüstung unterstützen.

- Tragen Sie einen Gehörschutz, wenn der Geräuschpegel höher als 85 dB ist
- Tragen Sie rutschfeste Sicherheitstiefel oder -schuhe. Verwenden Sie keine offenen Schuhe, und gehen Sie nicht barfuß.
- Tragen Sie schwere, lange Hosen.
- Tragen Sie bei Bedarf Schutzhandschuhe, beispielsweise bei der Montage, der Untersuchung oder der Reinigung der Schneidausrüstung.

Sicherheitsvorrichtungen am Gerät



WARNUNG: Lesen Sie die folgenden Warnhinweise, bevor Sie das Gerät benutzen.

- Benutzen Sie kein Gerät mit defekten Sicherheitsvorrichtungen.
- Führen Sie regelmäßig eine Überprüfung der Sicherheitsvorrichtungen durch. Wenn die Sicherheitsvorrichtungen defekt sind, wenden Sie sich an Ihre Husqvarna-Servicewerkstatt.

So überprüfen Sie den Schneidschutz

Der Schneidschutz verringert Vibrationen im Gerät und das Verletzungsrisiko durch die Klinge.

- Untersuchen Sie die Schneidewerkabdeckung, um sicherzustellen, dass es keine Beschädigungen wie zum Beispiel Risse gibt.

So führen Sie eine Prüfung des Motorbremsgriffs durch

Der Motorbremsgriff stoppt den Motor. Wenn der Motorbremsgriff losgelassen wird, stoppt der Motor.

- Starten Sie den Motor, und lassen Sie den Motorbremsgriff los. Wenn der Motor nicht innerhalb von 3 Sekunden stoppt, lassen Sie die Motorbremse von einer autorisierten Husqvarna-Servicewerkstatt einstellen. (Abb. 15)

Schalldämpfer

Der Schalldämpfer senkt den Geräuschpegel so weit wie möglich und hält die Abgase des Motors vom Anwender fern.

Verwenden Sie das Gerät nicht, wenn der Schalldämpfer fehlt oder defekt ist. Ein defekter Schalldämpfer erhöht den Geräuschpegel und die Brandgefahr.



WARNUNG: Der Schalldämpfer wird während und nach Gebrauch und wenn der Motor im Leerlauf läuft, sehr heiß. Seien Sie in der Nähe von entzündlichen Materialien und/oder Dämpfen besonders vorsichtig, um Brandgefahr zu verhindern.

Sicherer Umgang mit Kraftstoff



WARNUNG: Lesen Sie die folgenden Warnhinweise, bevor Sie das Gerät benutzen.

- Starten Sie das Gerät nicht, wenn sich Kraftstoff oder Öl darauf befindet. Entfernen Sie den unerwünschten Kraftstoff bzw. das Öl und lassen Sie das Gerät trocknen.
- Wechseln Sie sofort die Kleidung, wenn Sie Kraftstoff darauf verschütten.
- Lassen Sie keinen Kraftstoff auf Ihren Körper gelangen, denn dies kann zu Verletzungen führen. Wenn Kraftstoff auf Ihre Haut gelangt, waschen Sie diesen mit Wasser und Seife ab.
- Starten Sie das Gerät nicht, wenn der Motor undicht ist. Überprüfen Sie den Motor regelmäßig auf Undichtigkeiten.
- Gehen Sie vorsichtig mit Kraftstoff um. Kraftstoff ist feuergefährlich, und die Dämpfe sind explosiv und können zu Verletzungen oder sogar zum Tod führen.
- Atmen Sie die Kraftstoffdämpfe nicht ein, denn sie sind gesundheitsschädigend. Achten Sie auf ausreichende Belüftung.
- Rauchen Sie nicht in der Nähe des Kraftstoffs oder des Motors.
- Stellen Sie keine heißen Gegenstände in der Nähe des Kraftstoffs oder Motors ab.
- Füllen Sie keinen Kraftstoff nach, während der Motor läuft.
- Vergewissern Sie sich, dass der Motor abgekühlt ist, bevor Sie Kraftstoff nachfüllen.
- Öffnen Sie vor dem Nachfüllen den Tankdeckel langsam und lassen Sie den Druck vorsichtig entweichen.
- Füllen Sie keinen Kraftstoff in den Motor, wenn Sie sich in einem Innenraum befinden. Eine mangelhafte Luftzirkulation kann zu schweren oder tödlichen Verletzungen durch Ersticken oder eine Kohlenmonoxidvergiftung führen.
- Schrauben Sie den Kraftstofftankdeckel fest zu. Wenn der Tankverschluss nicht fest zugeschraubt ist, besteht Feuergefahr.
- Bewegen Sie das Produkt vor dem Starten mindestens 3 m von der Stelle fort, an der Sie den Tank befüllt hatten.
- Füllen Sie den Kraftstofftank nicht vollständig auf. Durch Hitze dehnt sich der Kraftstoff aus. Lassen Sie deshalb einen Freiraum im oberen Bereich des Kraftstofftanks.

Sicherheitshinweise für die Wartung



WARNUNG: Lesen Sie die folgenden Warnhinweise, bevor Sie das Gerät benutzen.

- Die Abgase des Motors enthalten Kohlenmonoxid, ein geruchloses, giftiges und sehr gefährliches Gas. Starten Sie den Motor nicht in Innenräumen oder in geschlossenen Räumen.
 - Bevor Sie an dem Produkt eine Wartung durchführen, schalten Sie den Motor aus und ziehen Sie das Zündkabel von der Zündkerze ab.
 - Tragen Sie Schutzhandschuhe, wenn Sie an der Schneidausrüstung eine Wartung durchführen. Die Klinge ist sehr scharf und man schneidet sich sehr leicht.
 - Zubehörteile und Änderungen am Produkt, die vom Hersteller nicht genehmigt wurden, können zu schweren Verletzungen oder zum Tod führen.
- Verändern Sie das Produkt nicht. Verwenden Sie immer Teile, die vom Hersteller genehmigt wurden.
 - Wenn die Wartung nicht ordnungsgemäß und regelmäßig erfolgt, erhöht sich die Verletzungsgefahr und das Risiko für eine Beschädigung des Produkts.
 - Führen Sie die Wartung nur gemäß dieser Betriebsanleitung durch. Alle anderen Wartungsarbeiten müssen von einer autorisierten Husqvarna Servicewerkstatt durchgeführt werden.
 - Lassen Sie eine autorisierte Husqvarna Servicewerkstatt das Produkt regelmäßig warten.
 - Ersetzen Sie beschädigte, abgenutzte oder defekte Teile.

Montage

So montieren Sie den Griff

1. Schieben Sie die Schraube (A) durch den Griff (B), die Kunststoffscheibe (C) und die Griffhalterung (D). (Abb. 16)
2. Ziehen Sie die Mutter (E) vollständig fest.
3. Schieben Sie die Schraube (F) durch die Scheibe (G) und die Griffhalterung.
4. Ziehen Sie den Knopf (H) vollständig fest.
5. Richten Sie die Schraublöcher im Handgriff an den Löchern am unteren Griff aus, und befestigen Sie die Schrauben, Scheiben und Knöpfe. Ziehen Sie die Knöpfe vollständig fest. (Abb. 17)
6. Befestigen Sie die Kabel mit den Kabelhaltern am Griff. (Abb. 18)

Hinweis: Stellen Sie sicher, dass die Spannung in den Kabeln nicht zu hoch ist. Eine zu hohe Spannung kann zu Schäden am Kabel führen, wenn sich der Griff in der Transportposition befindet.

7. Legen Sie das Kabel um den Haken an der Unterseite des Griffs. (Abb. 19)

So stellen Sie die Handgriffhöhe ein

1. Lösen Sie die unteren Drehknöpfe. (Abb. 20)
2. Entfernen Sie links und rechts den Knopf, die Unterlegscheibe und die Schraube.
3. Der Griff kann auf 2 verschiedene Höhen eingestellt werden. Setzen Sie die Schraube in eine der beiden Bohrungen auf der linken und der rechten Seite. (Abb. 21)
4. Befestigen Sie die Schrauben, Unterlegscheiben und die Knöpfe.
5. Bewegen Sie die Flügelmutter nach oben in Richtung Griff, bis Sie den Anschlag erreichen und ein Klicken hören. Ziehen Sie die Knöpfe vollständig fest. (Abb. 22)

So bringen Sie das Gerät in die Transportposition

1. Entfernen Sie den Grasfänger.
2. Lösen Sie die Knöpfe auf dem oberen Griff, und klappen Sie den Griff nach unten. (Abb. 23)
3. Lösen Sie die unteren Knöpfe.
4. Schieben Sie die Knöpfe zum unteren Ende der Nuten an der linken und rechten Seite des Geräts. (Abb. 24)
5. Klappen Sie den Griff nach vorn. (Abb. 25)

So bringen Sie das Gerät in die Betriebsposition

1. Heben Sie den Lenker an, bis der untere Griff in die Betriebsposition einrastet. (Abb. 26)
2. Bewegen Sie die Knöpfe nach oben in Richtung Griff, bis sie den Anschlag erreichen und ein Klicken zu hören ist.
3. Ziehen Sie die Knöpfe vollständig fest. (Abb. 27)
4. Ziehen Sie den oberen Teil des Lenkers nach oben.
5. Ziehen Sie die Knöpfe vollständig fest. (Abb. 28)

So montieren Sie den Grasfänger

1. Befestigen Sie den oberen Teil des Grasfängers am unteren Teil des Grasfängers. (Abb. 29)
2. Befestigen Sie den Grasfängerrahmen mit den Klammern. (Abb. 30)
3. Heben Sie die hintere Abdeckung an.
4. Befestigen Sie die Haken am Grasfänger an der Oberkante des Chassis. (Abb. 31)
5. Setzen Sie den unteren Teil des Grasfängers in den Grasaustrittskanal.

Betrieb

Einleitung



WARNUNG: Vor dem Betrieb des Gerätes müssen Sie die Sicherheitsinformationen lesen und verstehen.

Husqvarna Connect

Husqvarna Connect ist eine kostenlose App für Ihr Mobilgerät. Die Husqvarna Connect App bietet erweiterte Funktionen für Ihr Gerät:

- Erweiterte Produktinformationen
- Informationen über Produktteile und -wartung sowie entsprechende Hilfe dazu.

So verwenden Sie Husqvarna Connect

1. Laden Sie die Husqvarna Connect App auf Ihr Mobiltelefon.
2. Anmeldung bei der Husqvarna Connect App.
3. Befolgen Sie die Anweisungen in der Husqvarna Connect App, um sich zu verbinden und das Gerät zu registrieren.

Bevor Sie das Produkt in Betrieb nehmen

1. Lesen Sie die Bedienungsanleitung sorgfältig durch, und vergewissern Sie sich, dass Sie die Anweisungen verstehen.
2. Untersuchen Sie die Schneidusrüstung, um sicherzustellen, dass sie ordnungsgemäß befestigt und eingestellt ist. Siehe *So prüfen Sie die Schneidusrüstung auf Seite 66*.
3. Füllen Sie es in den Kraftstofftank. Siehe *So füllen Sie Kraftstoff ein auf Seite 64*.
4. Füllen Sie den Öltank, und überprüfen Sie den Ölstand. Siehe *So prüfen Sie den Ölstand auf Seite 67*.

So füllen Sie Kraftstoff ein

Verwenden Sie, falls verfügbar, schadstoffarmes Benzin/Alkylat-Kraftstoff. Wenn schadstoffarmes Benzin/Alkylat-Kraftstoff nicht verfügbar ist, verwenden Sie ein qualitativ hochwertiges, bleifreies Benzin oder verbleites Benzin mit einer Oktanzahl von mindestens 91.



ACHTUNG: Verwenden Sie kein Benzin mit einer geringeren Oktanzahl als 91 RON. Dadurch kann das Gerät beschädigt werden.



ACHTUNG: Ersetzen Sie den Kraftstofffilter jährlich oder ggf. häufiger. Einen neuen

Kraftstofffilter erhalten Sie bei Ihrem Husqvarna-Händler.



ACHTUNG: Stellen Sie den Motor immer ab, bevor Sie mit dem Betanken beginnen.



ACHTUNG: Verwenden Sie keine unter Druck stehenden Startflüssigkeiten.

1. Öffnen Sie den Tankdeckel langsam, damit der Druck entweichen kann.
2. Füllen Sie langsam mit einem Kraftstoffkanister auf. Wenn Sie Kraftstoff verschütten, entfernen Sie ihn mit einem Tuch und lassen den verbleibenden Treibstoff trocknen. (Abb. 32)
3. Säubern Sie den Bereich um den Tankdeckel herum.
4. Schrauben Sie den Kraftstofftankdeckel fest zu. Wenn der Tankdeckel nicht fest zugeschraubt ist, besteht Feuergefahr.
5. Bewegen Sie das Gerät vor dem Starten mindestens 3 m/10 ft von der Stelle fort, an der Sie den Tank befüllt hatten.

So stellen Sie die Schnitthöhe ein

1. Bewegen Sie den Schnitthöhenhebel nach hinten, um die Schnitthöhe zu erhöhen.
2. Bewegen Sie den Schnitthöhenhebel nach vorne, um die Schnitthöhe zu verringern. (Abb. 33)



ACHTUNG: Stellen Sie die Schnitthöhe nicht zu niedrig ein. Die Klängen können auf den Boden treffen, wenn die Oberfläche des Rasens nicht eben ist.

So starten Sie das Gerät

1. Stellen Sie sicher, dass das Zündkabel mit der Zündkerze verbunden ist.
2. Halten Sie sich immer hinter dem Gerät auf.
3. Halten Sie den Motorbremsgriff gegen den Lenker. (Abb. 34)
4. Halten Sie den Startseilgriff mit Ihrer rechten Hand.
5. Ziehen Sie langsam das Startseil, bis Sie etwas Widerstand spüren.
6. Ziehen Sie kräftig, um den Motor anzulassen.



WARNUNG: Wickeln Sie das Startseil nicht um Ihre Hand.

So treiben Sie die Räder an

- Drücken Sie den Antriebsgriff in die Richtung des Lenkers. (Abb. 35)
- Lassen Sie den Antriebsgriff los, um den Antrieb zu deaktivieren, z. B. wenn Sie sich einem Hindernis nähern.
- Bevor Sie das Gerät nach hinten ziehen, kuppeln Sie den Antrieb aus und schieben das Gerät ca. 10 cm nach vorne.

So stoppen Sie das Produkt

- Um nur den Antrieb zu stoppen, lassen Sie den Antriebsgriff los.
- Um den Motor zu stoppen, lassen Sie den Motorbremsgriff los.

So erhalten Sie ein gutes Mähergebnis

- Benutzen Sie immer eine scharfe Klinge. Eine stumpfe Klinge liefert ein unregelmäßiges Ergebnis, und die Schnittfläche des Grases wird gelb. Eine scharfe Klinge verbraucht außerdem weniger Energie als eine stumpfe Klinge.
- Schneiden Sie nicht mehr als $\frac{1}{2}$ der Länge des Grases ab. Mähen Sie zuerst mit einer hohen Schnitthöhe. Überprüfen Sie das Ergebnis, und senken Sie die Schnitthöhe auf eine entsprechende Stufe. Wenn das Gras sehr lang ist, fahren Sie langsam und mähen bei Bedarf 2-mal.
- Mähen Sie bei jedem Mal in eine andere Richtung, um Streifen auf dem Rasen zu vermeiden.

Wartung

Einleitung



WARNUNG: Bevor Sie eine Wartung durchführen, müssen Sie das Kapitel über die Sicherheit lesen und verstehen.

Für alle Wartungs- und Reparaturarbeiten am Produkt ist eine spezielle Schulung erforderlich. Wir garantieren die Verfügbarkeit von professionellen Reparaturen und Wartungsarbeiten. Wenn Ihr Händler keine Servicewerkstatt ist, sprechen Sie mit ihm, um Informationen über die nächste Servicewerkstatt zu erhalten.

Wartungsplan



ACHTUNG: Stellen Sie sicher, dass der Luftfilter nach oben und nicht zum Boden hin ausgerichtet ist, wenn Sie das Gerät schräg stellen. Risiko von Motorschäden.

Die Wartungsintervalle werden anhand der täglichen Nutzung des Geräts berechnet. Die Intervalle ändern sich, wenn das Gerät nicht täglich verwendet wird.

Für Wartungsarbeiten, die mit * gekennzeichnet sind, siehe Anweisungen unter *Sicherheitsvorrichtungen am Gerät auf Seite 62*.

| Wartungspunkt | Täglich | Monatlich | Zu jeder Jahreszeit |
|--|---------|-----------|---------------------|
| Eine allgemeine Inspektion durchführen | X | | |
| Den Ölstand prüfen | X | | |
| Das Öl wechseln (erstmalig nach 5 Betriebsstunden, danach alle 50 Betriebsstunden) ²⁹ | | | X |
| Das Gerät reinigen | X | | |
| Die Schneidrüstung prüfen | X | | |
| Die Schneidwerkabdeckung prüfen * | X | | |
| Den Motorbremsgriff prüfen* | X | | |
| Den Schalldämpfer prüfen * | | X | |
| Die Zündkerze prüfen. Die Zündkerze bei Bedarf reinigen oder ersetzen | | | X |
| Den Luftfilter prüfen | X | | |

²⁹ Wenn das Gerät mit hoher Last oder bei hohen Umgebungstemperaturen betrieben wird, das Motoröl alle 25 Betriebsstunden wechseln.

| Wartungspunkt | Taglich | Monatlich | Zu jeder Jah- reszeit |
|--|----------|-----------|--------------------------|
| Den Luftfilter reinigen ³⁰ | | X | |
| Den Luftfilter ersetzen | | | X |
| Den Kraftstofffilter prufen | | | X |
| Die Zylinderkuhlrippen reinigen | | X | |
| Das Kupplungskabel prufen und einstellen (LC 140SP) | | | X |

So fuhren Sie eine allgemeine Inspektion durch

- Stellen Sie sicher, dass alle Muttern und Schrauben am Gerat richtig angezogen sind.

So reinigen Sie das Produkt auen

- Verwenden Sie einen Pinsel, um Blatter, Gras und Schmutz zu entfernen.
- Achten Sie darauf, dass der Lufterlass auf der Oberseite des Motors nicht blockiert ist.
- Reinigen Sie das Gerat nicht mit einem Hochdruckreiniger.
- Wenn Sie Wasser verwenden, um das Produkt zu reinigen, bringen Sie das Wasser nicht direkt auf den Motor auf.

So reinigen Sie die Innenseite der Schneidwerkabdeckung

1. Leeren Sie den Kraftstofftank.
2. Kippen Sie das Gerat. Stellen Sie sicher, dass die Zundkerze nach oben gerichtet ist.



ACHTUNG: Wenn das Gerat mit dem Luftfilter nach unten gelegt wird, kann der Motor beschadigt werden.

3. Spritzen Sie die Innenflache der Schneidwerkabdeckung mit dem Wasserschlauch ab.

So prufen Sie die Schneidausrustung



WARNUNG: Um ein unbeabsichtigtes Starten zu vermeiden, entfernen Sie das Zundkabel von der Zundkerze.



WARNUNG: Tragen Sie Schutzhandschuhe, wenn Sie an der Schneidausrustung eine Wartung durchfuhren. Die Klinge ist sehr scharf und man schneidet sich sehr leicht.

1. Prufen Sie die Schneidausrustung auf Beschadigungen oder Risse. Wechseln Sie eine beschadigte Schneidausrustung unbedingt aus.
2. Schauen Sie sich die Klinge an, um festzustellen, ob sie beschadigt oder stumpf ist.

Hinweis: Nach dem Scharfen muss die Klinge ausbalanciert werden. Lassen Sie eine Servicewerkstatt die Klinge scharfen, ersetzen und ausbalancieren. Wenn Sie auf ein Hindernis treffen, das das Produkt zum Halten bringt, ersetzen Sie die beschadigte Klinge. Lassen Sie die Werkstatt beurteilen, ob die Klinge geschliffen werden kann oder ersetzt werden muss.

So tauschen Sie das Messer aus

1. Arretieren Sie die Klinge mit einem Holzblock. (Abb. 36)
2. Entfernen Sie den Bolzen der Klinge.
3. Entfernen Sie die Klinge.
4. Prufen Sie die Halterung und den Bolzen der Klinge, um festzustellen, ob Beschadigungen vorliegen.
5. Prufen Sie die Motorwelle, um sicherstellen, dass sie nicht geknickt ist.
6. Wenn Sie die neue Klinge montieren, zeigen die abgewinkelten Enden der Klinge in die Richtung der Schneidwerkabdeckung. (Abb. 37)
7. Stellen Sie sicher, dass das Messer mit der Mitte der Motorwelle ausgerichtet ist.
8. Arretieren Sie die Klinge mit einem Holzblock. Befestigen Sie die Federscheibe und ziehen Sie die Schraube und die Unterlegscheibe mit einem Drehmoment von 45–60 Nm an. (Abb. 38)
9. Drehen Sie die Klinge mit der Hand, um sicherzustellen, dass sie sich einwandfrei dreht.
10. Starten Sie das Produkt, um die Klinge zu prufen. Wenn die Klinge nicht richtig befestigt ist, gibt es im



WARNUNG: Tragen Sie Sicherheitshandschuhe. Die Klinge ist sehr scharf und man schneidet sich sehr leicht.

³⁰ Bei staubigen Bedingungen oder Schmutzpartikeln in der Luft haufiger reinigen. Den Luftfilter bei starker Verschmutzung ersetzen.

Produkt Vibrationen oder das Schneidergebnis ist unbefriedigend.

So prüfen Sie den Ölstand



ACHTUNG: Ein zu niedriger Ölstand kann den Motor beschädigen. Überprüfen Sie den Ölstand, bevor Sie das Gerät starten.

1. Stellen Sie das Gerät auf einer ebenen Fläche ab.
2. Entfernen Sie den Öltankdeckel mit dem beigegeführten Messstab.
3. Reinigen Sie den Messstab von Öl.
4. Tauchen Sie den Messstab vollständig in den Ölbehälter ein, um ein korrektes Bild über den Ölstand zu erhalten.
5. Entfernen Sie den Messstab.
6. Prüfen Sie den Ölstand am Messstab.
7. Wenn der Ölstand zu niedrig ist, füllen Sie Motoröl nach und kontrollieren den Ölstand erneut.

Hinweis: Verwenden Sie einen Trichter, um ein Verschütten zu vermeiden.

So tauschen Sie das Motoröl aus



WARNUNG: Das Motoröl ist direkt nach dem Abstellen des Motors sehr heiß. Lassen Sie den Motor abkühlen, bevor Sie das Motoröl ablassen. Wenn Motoröl auf Ihre Haut gerät, reinigen Sie diese mit Wasser und Seife.

(Abb. 39)

Hinweis: Verwenden Sie 4-Takt-Motoröl. Achten Sie darauf, die richtige Viskosität für die Umgebungstemperatur zu verwenden.

1. Arbeiten Sie so lange mit dem Gerät, bis der Tank leer ist.
2. Trennen Sie das Zündkabel von der Zündkerze.
3. Entfernen Sie den Öltankdeckel.
4. Lassen Sie das Motoröl mit einer Ölpumpe (Zubehör) aus dem Öltank ab.
5. Füllen Sie ein Motoröl des Typs ein, der in *Technische Daten auf Seite 69* empfohlen wird.
6. Prüfen Sie den Ölstand. Siehe *So prüfen Sie den Ölstand auf Seite 67*.

So reinigen Sie den Schaumstofffilter

1. Entfernen Sie den Luffilterdeckel und den Schaumstofffilter.
2. Reinigen Sie den Schaumstofffilter mit Seife und Wasser.

3. Spülen Sie den Schaumstofffilter in klarem Wasser ab.
4. Drücken Sie das Wasser aus dem Schaumstofffilter, und lassen Sie ihn trocknen.



ACHTUNG: Benutzen Sie keine Druckluft. Sie kann den Schaumstofffilter beschädigen.

5. Schmieren Sie den Schaumstofffilter mit Motoröl ein.
6. Drücken Sie ein sauberes Tuch gegen den Schaumstofffilter, um unerwünschtes Öl zu entfernen.
7. Setzen Sie den Luffilter wieder ein. Darauf achten, dass der Luffilter vollständig die Luffilterhalterung abdichtet.
8. Setzen Sie den Luffilterdeckel wieder zurück.

So überprüfen Sie die Zündkerze



ACHTUNG: Verwenden Sie stets den vom Hersteller empfohlenen Zündkerzentyp! Die Verwendung eines falschen Zündkerzentyps kann zu Schäden am Gerät führen.

- Überprüfen Sie die Zündkerze, wenn der Motor nur schwache Leistung bringt, sich nur schwer starten lässt oder im Leerlauf nicht ordnungsgemäß funktioniert.
- Wenn Sie diese Anweisungen befolgen, verringern Sie die Gefahr von unerwünschtem Material an den Elektroden der Zündkerze:
 - a) Stellen Sie sicher, dass die Leerlaufdrehzahl richtig eingestellt ist.
 - b) Vergewissern Sie sich, dass das Kraftstoffgemisch korrekt ist.
 - c) Vergewissern Sie sich, dass der Luffilter sauber ist.
- Ist die Zündkerze verschmutzt, so ist sie zu reinigen; gleichzeitig ist zu prüfen, ob der Elektrodenabstand korrekt ist, siehe *Technische Daten auf Seite 69*. (Abb. 40)
- Tauschen Sie die Zündkerze bei Bedarf aus.

So prüfen Sie die Kraftstoffanlage

- Prüfen Sie den Kraftstofftankdeckel und die Dichtung für den Tankdeckel, um sicherzustellen, dass keine Beschädigungen vorliegen.
- Untersuchen Sie den Kraftstoffschlauch, um sicherzustellen, dass keine undichten Stellen vorhanden sind. Wenn der Schlauch beschädigt ist, lassen Sie ihn durch eine Servicewerkstatt austauschen.

So passen Sie das Kupplungsseil an (LC 140SP)

In nachfolgenden Situationen muss die Länge des Kupplungsseils verringert werden:

- Der Antrieb der Räder wird nicht aktiviert, wenn Sie am Antriebsgriff oder am Drehzahlregelungshebel ziehen.
- Das Gerät bewegt sich langsam, wenn der Antrieb der Räder aktiviert ist.

In den nachfolgenden Situationen muss die Länge des Kupplungsseils verlängert werden:

- Das Gerät bewegt sich, wenn der Antrieb der Räder nicht aktiviert ist.
- Passen Sie das Kupplungsseil an.

- Um die Länge des Kupplungsseils zu verringern, drehen Sie die Stellschraube gegen den Uhrzeigersinn.
- Um die Länge des Kupplungsseils zu vergrößern, drehen Sie die Stellschraube im Uhrzeigersinn. (Abb. 41)

Wenn das Gerät auch nach den Anpassungen nicht zufriedenstellend läuft, wenden Sie sich an Ihren Servicehändler.

Fehlersuche am Motor

| Störung | Mögliche Ursache | Lösung |
|-----------------------------|--|--|
| Der Motor springt nicht an. | Das Zündkabel ist nicht richtig angeschlossen. | Das Zündkabel an die Zündkerze anschließen. |
| | Der Kraftstofftank ist leer. | Den Kraftstofftank mit dem richtigen Kraftstofftyp auffüllen. |
| | Der Kraftstoff ist alt. | Den Kraftstofftank und den Vergaser leeren. Frischen Kraftstoff nachfüllen. |
| | Es befindet sich Schmutz im Vergaser oder in der Kraftstoffleitung. | Den Vergaser bzw. die Kraftstoffleitung reinigen. |
| | Die Zündkerze ist defekt. | Den Elektrodenabstand korrigieren und die Zündkerze reinigen oder ersetzen. |
| | An der Zündkerze befindet sich Kraftstoff. | Die Zündkerze reinigen. |
| Der Motor stoppt nicht. | Die Arretierung ist defekt. | Das Zündkabel von der Zündkerze abziehen. Die Reparatur von einer autorisierten Servicewerkstatt durchführen lassen. |
| Der Motor läuft nicht rund. | Das Zündkabel ist nicht richtig angeschlossen. | Das Zündkabel an die Zündkerze anschließen. |
| | Es befindet sich Schmutz in der Kraftstoffleitung, oder der Kraftstoff ist abgelaufen. | Die Kraftstoffleitung reinigen. Den Kraftstofftank mit frischem Kraftstoff des richtigen Typs auffüllen. |
| | Der Kraftstofftankdeckel ist verstopft. | Den Kraftstofftankdeckel reinigen. |
| | Es befindet sich Wasser oder Schmutz im Kraftstoffsystem. | Den Kraftstofftank leeren. Den Kraftstofftank mit frischem Kraftstoff des richtigen Typs auffüllen. |
| | Der Luftfilter ist verschmutzt. | Den Luftfilter reinigen. |
| | Der Vergaser muss eingestellt werden. | Den Vergaser von einem Servicehändler einstellen lassen. |

| Störung | Mögliche Ursache | Lösung |
|---|--|---|
| Der Motor wird zu heiß. | Der Motorölstand ist zu niedrig. | Motoröl nachfüllen. |
| | Der Luftstrom ist zu schwach. | Den Luftfilter und das Luftfiltergehäuse reinigen. |
| | Der Vergaser muss eingestellt werden. | Den Vergaser von einem Servicehändler einstellen lassen. |
| Es kommt zu Fehlzündungen, wenn der Motor bei hoher Drehzahl läuft. | Der Elektrodenabstand in der Zündkerze ist zu gering. | Den Elektrodenabstand einstellen. |
| Ungewöhnliche Motorgeräusche bei normaler Belastung. | Falscher Kraftstofftyp. | Den Kraftstofftank und den Vergaser leeren. Frischen Kraftstoff nachfüllen. Siehe <i>So füllen Sie Kraftstoff ein auf Seite 64</i> . Wenn das Problem weiterhin besteht, einen Servicehändler vor Ort kontaktieren. |
| Der Motor läuft bei Leerlaufdrehzahl nicht gleichmäßig. | Die Zündkerze ist verschmutzt oder beschädigt, oder der Elektrodenabstand ist zu groß. | Den Elektrodenabstand korrigieren oder eine andere Zündkerze verwenden. |
| | Der Vergaser muss eingestellt werden. | Den Vergaser einstellen. |
| | Der Luftfilter ist verschmutzt. | Den Luftfilter reinigen. |

Transport, Lagerung und Entsorgung

Transport und Lagerung

- Für die Lagerung und den Transport des Produkts und des Kraftstoffs ist darauf zu achten, dass keine Lecks oder Dämpfe vorhanden sind. Funken oder offene Flammen, zum Beispiel von elektrischen Geräten oder einem Boiler, können ein Feuer auslösen.
- Verwenden Sie für die Lagerung und den Transport von Kraftstoff immer zugelassene Behälter.
- Leeren Sie den Kraftstofftank, bevor Sie das Produkt über einen längeren Zeitraum einlagern. Entsorgen Sie den Kraftstoff in einer geeigneten Abfallentsorgungsstelle.
- Sichern Sie das Produkt während des Transports ab, um Schäden und Unfälle zu vermeiden.

- Bewahren Sie das Produkt in einem verschlossenen Bereich auf, um einen unerlaubten Zugriff durch Kinder oder andere Personen zu verhindern.
- Bewahren Sie das Produkt an einem trockenen und frostfreien Raum auf.

Entsorgung

- Befolgen Sie die örtlichen Recyclinganforderungen und geltenden Vorschriften.
- Entsorgen Sie alle Chemikalien, z. B. Motoröl oder Kraftstoff, in einer Servicewerkstatt oder in einer geeigneten Abfallentsorgungsstelle.
- Wenn Sie das Produkt nicht mehr benutzen, senden Sie es an einen Husqvarna Händler oder entsorgen Sie es in einer Wiederverwertungsanlage.

Technische Angaben

Technische Daten

| | LC 140P | LC 140SP |
|--------------|-----------|-----------|
| Motor | | |
| Marke | Husqvarna | Husqvarna |

| | LC 140P | LC 140SP |
|--|---|---|
| Name des Motormodells | HS 123A | HS 123A |
| Motortyp | Einzylinder, 4-Takt, Zwangsluftkühlung, OHV | Einzylinder, 4-Takt, Zwangsluftkühlung, OHV |
| Hubraum, cm ³ | 123 | 123 |
| Drehzahl, U/min | 3.000 | 3.000 |
| Nennleistung des Motors, kW ³¹ | 1,95 | 1,95 |
| Zündanlage | | |
| Zündkerze | Husqvarna HQT-7 | Husqvarna HQT-7 |
| Elektrodenabstand, mm | 0,7-0,8 | 0,7-0,8 |
| Kraftstoff- und Schmiersystem | | |
| Motorschmiertyp | Splash | Splash |
| Füllmenge Kraftstofftank, Liter | 0,9 | 0,9 |
| Füllmenge Öltank, Liter | 0,5 | 0,5 |
| Motoröl ³² | Husqvarna SAE 30 | Husqvarna SAE 30 |
| Gewicht | | |
| Mit leeren Tanks, kg | 25,2 | 26,8 |
| Geräuschemissionen³³ | | |
| Schalleistungspegel, gemessen, dB (A) | 93 | 93 |
| Schalleistungspegel, garantiert L _{WA} dB (A) | 95 | 95 |
| Schallpegel³⁴ | | |
| Schalldruckpegel am Ohr des Bedieners, dB (A) | 81 | 81 |
| Vibrationswerte³⁵ | | |
| Vibrationen Lenker, m/s ² | 5,6 | 7,6 |
| Schneidausrüstung | | |
| Schnitthöhe, mm | 25-75 | 25-75 |
| Schnittbreite, mm | 400 | 400 |

³¹ Die Motornennleistung ist die durchschnittlich nach SAE-Standard J1349/ISO1585 gemessene Nettleistung eines typischen Produktionsmotors, die (bei einer bestimmten Drehzahl) an das Motormodell abgegeben wird. Motoren für die Massenproduktion können von diesem Wert abweichen. Die tatsächliche Ausgangsleistung des eingebauten Motors hängt von der Betriebsdrehzahl, den Umgebungsbedingungen und anderen Werten ab.

³² Wird SAE-30-Öl bei Temperaturen unter +5 °C verwendet, besteht die Gefahr, dass der Motor nicht ausreichend geschmiert wird. Dadurch können schwere Motorschäden entstehen. Hinweise zur Verwendung des richtigen Öls bei niedrigen Temperaturen finden Sie unter *So tauschen Sie das Motoröl aus auf Seite 67*.

³³ Umweltbelastende Geräuschemissionen, gemessen als Schalleistung (L_{WA}) gemäß EG-Richtlinie 2000/14/EG.

³⁴ Berichten zufolge liegt der Schalldruckpegel normalerweise bei einer Ausbreitungsklasse (Standardabweichung) von 1,2 dB (A).

³⁵ Berichten zufolge liegt der Vibrationspegel normalerweise bei einer Ausbreitungsklasse (Standardabweichung) von 0,2 m/s².

| | LC 140P | LC 140SP |
|---------------------------------|----------------------|----------------------|
| Schneidsystem | Aufnahme/Heckauswurf | Aufnahme/Heckauswurf |
| Klingen – Standard | Aufnahme 5873863-10 | Aufnahme 5873863-10 |
| Grasfängervolumen, Liter | 50 | 50 |
| Antrieb | | |
| Eigene Gehgeschwindigkeit, km/h | – | 4 |

EU-Konformitätserklärung

EU-Konformitätserklärung

Husqvarna AB, SE-561 82 Huskvarna, Schweden, Tel.: +46-36-146500 versichert, dass der **Rasenmäher Husqvarna LC 140P, LC 140SP** ab dem Jahr 2020 den Vorschriften folgender RICHTLINIE DES RATES entspricht:

- Richtlinie zur „Beschränkung der Verwendung bestimmter gefährlicher Stoffe“, **2011/65/EU** vom 8. Juni 2011
- „Maschinen-Richtlinie“ **2006/42/EG** vom 17. Mai 2006
- Richtlinie „über elektromagnetische Verträglichkeit“, **2014/30/EU** vom 26. Februar 2014
- „Richtlinie über umweltbelastende Geräuschemissionen von zur Verwendung im Freien vorgesehenen Geräten und Maschinen“ **2000/14/EG** vom 8. Mai 2000

Informationen zu Geräuschemissionen finden Sie in den technischen Daten.

Die folgenden Normen werden erfüllt:

EN ISO 5395-1:2013, EN ISO 5395-1:2013/A1, EN ISO 5395-2:2013, EN ISO 5395-2:2013/A1:2016, EN ISO 5395-2:2013/A2:2017, EN ISO 14982:2009

Sofern nicht anders angegeben, entsprechen die oben genannten Normen den neuesten veröffentlichten Versionen.

Benannte Stelle: **0036, TÜV SÜD Industrie Service GmbH, Westendstrasse 199, 80686 München, Germany**
Hat eine Konformitätsbewertung gemäß Anhang VI der Richtlinie 2000/14/EG durchgeführt.

Huskvarna, 2020-10-20



Claes Losdal, Entwicklungsleiter/Gartenprodukte
(Bevollmächtigter Vertreter für Husqvarna AB,
verantwortlich für die technische Dokumentation)

Περιεχόμενα

| | | | |
|--------------------|----|--|----|
| Εισαγωγή..... | 73 | Ανημετώπιση προβλημάτων κινητήρα..... | 82 |
| Ασφάλεια..... | 74 | Μεταφορά, αποθήκευση και απόρριψη..... | 83 |
| Συναρμολόγηση..... | 77 | Τεχνικά στοιχεία..... | 84 |
| Λειτουργία..... | 78 | Δήλωση Συμμόρφωσης ΕΚ..... | 86 |
| Συντήρηση..... | 79 | | |

Εισαγωγή

Περιγραφή προϊόντος

Το προϊόν είναι ένα χλοοκοπτικό γκαζόν πεζού χειριστή με κύλινδρο. Το γρασίδι συλλέγεται σε έναν συλλέκτη χόρτου. Αφαιρέστε το συλλέκτη χόρτου για να εξαγάγετε το χόρτο από την πίσω πλευρά.

Επισκόπηση προϊόντος

(Εικ. 1)

1. Λαβή / χειρολαβή
2. Ασφάλεια οδήγησης (LC 140SP)
3. Λαβή εκκίνησης
4. Συλλέκτης χόρτου
5. Ντεπόζιτο καυσίμου
6. Φίλτρο αέρα
7. Μπουζί
8. Κάλυμμα κοπής
9. Εξάτμιση (σιγαστήρας)
10. Τάπα ντεπόζιτου λαδιού
11. Μοχλός ρύθμισης του ύψους κοπής
12. Πίσω κάλυμμα
13. Λαβή φρένου κινητήρα
14. Σύμβολα
15. Διάταξη κάτω λαβής
16. Κάτω λαβή
17. Εγχειρίδιο χρήσης
18. Χωνί λαδιού

Σύμβολα στο προϊόν

- (Εικ. 2) **ΠΡΟΕΙΔΟΠΟΙΗΣΗ!** Να είστε προσεκτικοί και να χρησιμοποιείτε το προϊόν σωστά. Αυτό το προϊόν μπορεί να προκαλέσει σοβαρό τραυματισμό ή θάνατο του χειριστή ή άλλων ατόμων.
- (Εικ. 3) Προτού χρησιμοποιήσετε το προϊόν, διαβάστε το εγχειρίδιο χρήσης προσεκτικά και βεβαιωθείτε ότι έχετε κατανοήσει τις οδηγίες.
- (Εικ. 4) Προσέχετε για αντικείμενα που μπορεί να εκτοξευθούν ή να εξοστρακιστούν.

Προβλεπόμενη χρήση

Χρησιμοποιήστε το προϊόν για την κοπή γρασιδιού. Μην χρησιμοποιείτε το προϊόν για άλλες εργασίες.

- (Εικ. 5) Διατηρήστε τα άλλα άτομα και τα ζώα σε απόσταση ασφαλείας από την περιοχή εργασίας.
- (Εικ. 6) Προειδοποίηση: Να διατηρείτε τα χέρια και τα πόδια σας μακριά από την περιστρεφόμενη λεπίδα.
- (Εικ. 7) Προειδοποίηση: Να διατηρείτε τα χέρια και τα πόδια σας μακριά από κινούμενα μέρη.
- (Εικ. 8) Προτού πραγματοποιήσετε εργασίες επισκευής ή συντήρησης, σταματήστε τον κινητήρα και αφαιρέστε το καλώδιο ανάφλεξης ηλεκτρονικής.
- (Εικ. 9) Αυτό το προϊόν συμμορφώνεται με τις ισχύουσες οδηγίες ΕΚ.
- (Εικ. 10) Εκπομπές θορύβου στο περιβάλλον σύμφωνα με την Οδηγία της Ευρωπαϊκής Κοινότητας. Οι εκπομπές του προϊόντος ορίζονται στο κεφάλαιο "Τεχνικά στοιχεία", καθώς και στην πινακίδα του.
- (Εικ. 11) Κίνδυνος πυρκαγιάς.
- (Εικ. 12) Μην εισπνέετε τις αναθυμιάσεις της εξάτμισης. Οι αναθυμιάσεις της εξάτμισης από τον κινητήρα περιέχουν μονοξειδίο του άνθρακα, ένα άοσμο, δηλητηριώδες και ιδιαίτερα επικίνδυνο αέριο. Να μην εκκινείτε τον κινητήρα σε εσωτερικούς ή κλειστούς χώρους.
- (Εικ. 13) Καυτή επιφάνεια.
- (Εικ. 14) Γεμίστε τον κινητήρα με λάδι προτού θέσετε σε λειτουργία το προϊόν.

Περιεχόμενα Άλλα σύμβολα/σήματα που υπάρχουν στο προϊόν αναφέρονται σε απαιτήσεις πιστοποίησης για ορισμένες εμπορικές περιοχές.

Εκπομπές Euro V



ΠΡΟΕΙΔΟΠΟΙΗΣΗ: Οποιαδήποτε μη εξουσιοδοτημένη παρέμβαση στον κινητήρα ακυρώνει την έγκριση τύπου ΕΕ αυτού του προϊόντος.

Ευθύνη προϊόντος

Όπως αναφέρεται στη νομοθεσία περί ευθύνης για τα προϊόντα, δεν φέρουμε καμία ευθύνη για ζημιές που οφείλονται στο προϊόν μας εάν:

- Το προϊόν έχει επισκευαστεί λανθασμένα.
- Το προϊόν έχει επισκευαστεί με εξαρτήματα που δεν προέρχονται από τον κατασκευαστή ή που δεν έχουν εγκριθεί από τον κατασκευαστή.
- Το προϊόν διαθέτει ένα αξεσουάρ που δεν προέρχεται από τον κατασκευαστή ή που δεν έχει εγκριθεί από τον κατασκευαστή.
- Το προϊόν δεν έχει επισκευαστεί σε εγκεκριμένο κέντρο σέρβις ή από εγκεκριμένη αρχή.

Ασφάλεια

Ορισμοί για την ασφάλεια

Για την επισήμανση ειδικών σημαντικών τμημάτων του εγχειριδίου χρησιμοποιούνται προειδοποιήσεις, συστάσεις προσοχής και σημειώσεις.



ΠΡΟΕΙΔΟΠΟΙΗΣΗ: Χρησιμοποιείται όταν υπάρχει κίνδυνος τραυματισμού ή θανάτου του χειριστή ή άλλων παριστάμενων ατόμων, αν δεν τηρηθούν οι οδηγίες που παρέχονται στο εγχειρίδιο.



ΠΡΟΣΟΧΗ: Χρησιμοποιείται όταν υπάρχει κίνδυνος πρόκλησης ζημιάς στο προϊόν, σε άλλα υλικά ή στον παρακείμενο χώρο, αν δεν τηρηθούν οι οδηγίες που παρέχονται στο εγχειρίδιο.

Περιεχόμενα Χρησιμοποιείται για παροχή περισσότερων πληροφοριών, οι οποίες χρειάζονται σε μια δεδομένη κατάσταση.

Γενικές οδηγίες ασφαλείας



ΠΡΟΕΙΔΟΠΟΙΗΣΗ: Πρωτό χρησιμοποιήσετε το προϊόν, διαβάστε τις παρακάτω προειδοποιητικές οδηγίες.

- Αυτό το προϊόν είναι επικίνδυνο αν δεν χρησιμοποιηθεί σωστά ή αν δεν είστε προσεκτικοί. Αν δεν τηρείτε τις οδηγίες ασφαλείας, μπορεί να προκληθεί τραυματισμός ή θάνατος.
- Αυτό το προϊόν παράγει ηλεκτρομαγνητικό πεδίο κατά τη λειτουργία του. Το πεδίο αυτό, υπό ορισμένες συνθήκες, μπορεί να προκαλέσει παρεμβολές σε ενεργά ή παθητικά ιατρικά εμφυτεύματα. Για να μειωθεί ο κίνδυνος σοβαρών ή θανατηφόρων τραυματισμών, συνιστούμε στα άτομα με ιατρικά εμφυτεύματα να συμβουλευονται το θεράποντα ιατρό τους και τον κατασκευαστή του ιατρικού εμφυτεύματος, προτού θέσουν το προϊόν σε λειτουργία.
- Πρέπει πάντα να προσέχετε και να χρησιμοποιείτε την κοινή λογική. Αν δεν είστε βέβαιοι πώς να χειριστείτε το προϊόν σε μια ιδιαίτερη κατάσταση, σταματήστε και μιλήστε με τον αντιπρόσωπο της Husqvarna προτού συνεχίσετε.
- Πρέπει να θυμάστε ότι ο χειριστής θεωρείται υπεύθυνος για ατυχήματα που μπορεί να προκληθούν σε άλλα άτομα ή στην περιουσία τους.
- Να διατηρείτε το προϊόν καθαρό. Βεβαιωθείτε ότι μπορείτε να διαβάσετε καθαρά τις ενδείξεις και τα σήματα.
- Μην επιτρέπετε σε κανένα άτομο να χρησιμοποιήσει το προϊόν αν δεν βεβαιωθείτε ότι έχει διαβάσει και κατανοήσει τα περιεχόμενα του εγχειριδίου χρήσης.
- Μην επιτρέπετε σε παιδιά να χρησιμοποιήσουν το προϊόν.
- Μην αφήνετε να πλησιάσουν παιδιά στην περιοχή εργασίας. Πρέπει να είναι παρών ένας υπεύθυνος ενήλικας ανά πάσα στιγμή.
- Μην επιτρέπετε σε άτομα που δεν έχουν διαβάσει τις οδηγίες να χρησιμοποιήσουν το προϊόν.
- Αν το προϊόν χρησιμοποιείται από ένα άτομο με μειωμένη σωματική ή διανοητική ικανότητα, θα πρέπει πάντα να το επιβλέπετε. Πρέπει να είναι παρών ένας υπεύθυνος ενήλικας ανά πάσα στιγμή.
- Μην χρησιμοποιείτε το προϊόν αν είστε κουρασμένοι, άρρωστοι ή υπό την επήρεια αλκοόλ, ναρκωτικών ή φαρμάκων. Αυτά έχουν αρνητικές συνέπειες στην όραση, την αυτοσυγκέντρωση, τον συντονισμό και την κρίση σας.
- Μην χρησιμοποιείτε το προϊόν αν είναι ελαττωματικό.
- Μην τροποποιείτε το προϊόν και μην το χρησιμοποιείτε αν είναι εμφανές ότι έχει τροποποιηθεί από άλλους.
- Μην αλλάξετε τη ρύθμιση του χειριστηρίου στροφών κινητήρα.

Ασφάλεια στο χώρο εργασίας



ΠΡΟΕΙΔΟΠΟΙΗΣΗ: Προτού χρησιμοποιήσετε το προϊόν, διαβάστε τις παρακάτω προειδοποιητικές οδηγίες.

- Αφαιρέστε αντικείμενα όπως κλαδιά, κλωνάρια και πέτρες από την περιοχή εργασίας πριν χρησιμοποιήσετε το προϊόν.
- Τα αντικείμενα που χτυπούν πάνω στον εξοπλισμό κοπής μπορεί να πεταχτούν και να προκαλέσουν ζημιές σε πρόσωπα και αντικείμενα. Να διατηρείτε τους παρευρισκόμενους και τα ζώα σε απόσταση ασφαλείας από το προϊόν.
- Μην χρησιμοποιείτε ποτέ το προϊόν σε κακές καιρικές συνθήκες, όπως ομίχλη, βροχή, ισχυρό άνεμο, έντονο κρύο και κίνδυνο κεραυνού. Η χρήση του προϊόντος σε κακές καιρικές συνθήκες, σε συνθήκες υγρασίας ή σε υγρές τοποθεσίες είναι εξαιρετικά κούραστική. Οι κακές καιρικές συνθήκες μπορεί να προκαλέσουν επικίνδυνες καταστάσεις, όπως ολισθηρές επιφάνειες.
- Να προσέχετε για πρόσωπα, αντικείμενα και καταστάσεις που μπορεί να αποτρέψουν την ασφαλή λειτουργία του προϊόντος.
- Να προσέχετε για εμπόδια, όπως ρίζες, πέτρες, κλωνάρια, λακκούβες και χαντάκια. Το μακρύ γρασίδι μπορεί να κρύβει εμπόδια.
- Η κοπή χόρτου σε πλαγιές μπορεί να είναι επικίνδυνη. Μην χρησιμοποιείτε το προϊόν σε πλαγιές με κλίση πάνω από 15°.
- Να κατευθύνετε το προϊόν κατά πλάτος στις επιφάνειες με κλίση. Να μην μετακινείστε προς τα πάνω και προς τα κάτω.
- Να είστε ιδιαίτερα προσεκτικοί κοντά σε κρυφές γωνίες και αντικείμενα που εμποδίζουν το οπτικό σας πεδίο.

Ασφάλεια στην εργασία



ΠΡΟΕΙΔΟΠΟΙΗΣΗ: Προτού χρησιμοποιήσετε το προϊόν, διαβάστε τις παρακάτω προειδοποιητικές οδηγίες.

- Να χρησιμοποιείτε το προϊόν μόνο για την κοπή χόρτου γκαζόν. Δεν επιτρέπεται η χρήση του για άλλες εργασίες.
- Χρησιμοποιείτε ατομικό προστατευτικό εξοπλισμό. Ανατρέξτε στην ενότητα *Προσωπικός εξοπλισμός προστασίας στη σελίδα 75*.
- Βεβαιωθείτε ότι γνωρίζετε πώς να σταματήσετε τον κινητήρα γρήγορα σε περίπτωση έκτακτης ανάγκης.
- Μην εκκινείτε ποτέ τον κινητήρα μέσα σε κλειστό χώρο ή κοντά σε εύφλεκτα υλικά. Τα καυσαέρια του κινητήρα είναι ζεστά και ενδέχεται να έχουν σπινθήρες που μπορεί να προκαλέσουν πυρκαγιά.
- Μην λειτουργείτε το προϊόν αν δεν είναι σωστά συνδεδεμένη η λεπίδα και όλα τα καλύμματα. Αν η λεπίδα δεν είναι σωστά συνδεδεμένη, μπορεί να

χαλαρώσει και να προκληθεί προσωπικός τραυματισμός.

- Να βεβαιώνετε ότι ο δίσκος δεν χτυπάει αντικείμενα, όπως πέτρες και ρίζες. Αυτό μπορεί να κάνει ζημιά στη λεπίδα και να λυγίσει τον άξονα του κινητήρα. Ο λυγισμένος άξονας προκαλεί ισχυρή δόνηση και πολύ υψηλό κίνδυνο χαλάρωσης της λεπίδας.
- Σε περίπτωση πρόσκρουσης της λεπίδας σε αντικείμενο ή αν διαπιστώσετε κραδασμούς, διακόψτε αμέσως τη λειτουργία του προϊόντος. Αφαιρέστε το καλώδιο ανάφλεξης από το μπουζί. Ελέγξτε το προϊόν για ζημιές. Επισκευάστε τις ζημιές ή αναθέστε την επισκευή σε έναν εξουσιοδοτημένο αντιπρόσωπο σέρβις.
- Μην συνδέετε ποτέ μόνιμα τη λαβή φρένου κινητήρα στη χειρολαβή κατά την εκκίνηση του κινητήρα.
- Τοποθετήστε το προϊόν σε μια σταθερή, επίπεδη επιφάνεια και εκκινήστε το. Να βεβαιώνετε ότι η λεπίδα δεν χτυπάει στο έδαφος ή σε άλλα αντικείμενα.
- Να παραμένετε πάντα πίσω από το προϊόν κατά τη λειτουργία.
- Κατά τη λειτουργία του προϊόντος, θα πρέπει όλοι οι τροχοί να ακουμπούν στο έδαφος και να διατηρείτε και τα 2 χέρια πάνω στη λαβή. Διατηρήστε τα χέρια και τα πόδια σας μακριά από τις περιστρεφόμενες λεπίδες.
- Μην γέρνετε το προϊόν όταν εκκινείται ο κινητήρας.
- Να είστε προσεκτικοί όταν τραβάτε το προϊόν προς τα πίσω.
- Να μην ανασηκώνετε ποτέ το προϊόν όταν εκκινείται ο κινητήρας. Αν πρέπει να ανασηκώσετε το προϊόν, σβήστε πρώτα τον κινητήρα και αποσυνδέστε το καλώδιο ανάφλεξης από το μπουζί.
- Να μην περπατάτε προς τα πίσω όταν χρησιμοποιείτε το προϊόν.
- Να σβήνετε τον κινητήρα όταν μετακινείστε σε περιοχές χωρίς χόρτα, για παράδειγμα μονοπάτια από χαλίκι, πέτρα και άσφαλο.
- Μην τρέχετε με το προϊόν όταν εκκινείται ο κινητήρας. Να περπατάτε πάντα προς τα εμπρός όταν χρησιμοποιείτε το προϊόν.
- Να σβήνετε τον κινητήρα προτού αλλάξετε το ύψος κοπής. Μην προβείτε ποτέ σε τροποποιήσεις με τον κινητήρα σε λειτουργία.
- Μην αφήνετε ποτέ το προϊόν εκτός ορατότητας με τον κινητήρα σε λειτουργία. Να σβήνετε τον κινητήρα και να βεβαιώνετε ότι το παρελκόμενο κοπής δεν περιστρέφεται.

Οδηγίες ασφαλείας για τη λειτουργία

Προσωπικός εξοπλισμός προστασίας



ΠΡΟΕΙΔΟΠΟΙΗΣΗ: Προτού χρησιμοποιήσετε το προϊόν, διαβάστε τις παρακάτω προειδοποιητικές οδηγίες.

- Ο προσωπικός εξοπλισμός προστασίας δεν μπορεί να εξαλείψει τον κίνδυνο τραυματισμών, ωστόσο μειώνει τη σοβαρότητά τους σε περίπτωση ατυχήματος. Ο αντιπρόσωπος θα σας βοηθήσει να επιλέξετε το σωστό εξοπλισμό.
- Να χρησιμοποιείτε προστατευτικά ακοής, εάν το επίπεδο θορύβου είναι υψηλότερο από 85 dB.
- Να χρησιμοποιείτε αντιολισθητικές μπότες ή παπούτσια βαρέος τύπου. Να μην χρησιμοποιείτε το προϊόν με ανοιχτά παπούτσια ή ξυπόλυτοι.
- Χρησιμοποιήστε χοντρά, μακριά παντελόνια.
- Όταν χρειάζεται, να χρησιμοποιείτε προστατευτικά γάντια, για παράδειγμα κατά την τοποθέτηση, την επιθεώρηση ή τον καθαρισμό του εξοπλισμού κοπής.

εύφλεκτα υλικά ή/και αναθυμιάσεις, για να αποφύγετε την εκδήλωση πυρκαγιάς.

Ασφάλεια καύσιμου



ΠΡΟΕΙΔΟΠΟΙΗΣΗ: Προτού χρησιμοποιήσετε το προϊόν, διαβάστε τις παρακάτω προειδοποιητικές οδηγίες.

- Μην θέτετε το προϊόν σε λειτουργία, εάν υπάρχει καύσιμο ή λάδι κινητήρα στο προϊόν. Αφαιρέστε το ανεπιθύμητο καύσιμο/λάδι και αφήστε το προϊόν να στεγνώσει.
- Εάν χύσετε καύσιμο στα ρούχα σας, αλλάξτε τα αμέσως.
- Μην χύσετε καύσιμο στο σώμα σας, καθώς μπορεί να προκληθεί τραυματισμός. Αν χύσετε καύσιμο στο σώμα σας, χρησιμοποιήστε σαπούνι και νερό για να αφαιρέσετε το καύσιμο.
- Μην θέσετε το προϊόν σε λειτουργία, εάν ο κινητήρας έχει διαρροή. Εξετάζετε τακτικά τον κινητήρα για διαρροές.
- Να είστε προσεκτικοί με το καύσιμο. Το καύσιμο είναι εύφλεκτο και οι αναθυμιάσεις είναι εκρηκτικές και μπορούν να προκαλέσουν τραυματισμό ή θάνατο.
- Μην εισπνέετε τις αναθυμιάσεις καυσίμου, καθώς μπορεί να προκληθεί τραυματισμός. Βεβαιωθείτε ότι υπάρχει επαρκής ροή αέρα.
- Μην καπνίζετε κοντά στο καύσιμο ή τον κινητήρα.
- Μην τοποθετείτε ζεστά αντικείμενα κοντά στο καύσιμο ή τον κινητήρα.
- Μην προσθέτετε καύσιμο όταν λειτουργεί ο κινητήρας.
- Βεβαιωθείτε ότι ο κινητήρας έχει κρυώσει πριν από τον ανεφοδιασμό.
- Πριν από τον ανεφοδιασμό, ανοίξτε αργά την τάπα του ντεπόζιτου καυσίμου και εκτονώστε προσεκτικά την πίεση.
- Μην προσθέτετε καύσιμο στον κινητήρα σε εσωτερικό χώρο. Η ανεπαρκής ροή αέρα μπορεί να προκαλέσει τραυματισμό ή θάνατο λόγω ασφυξίας ή μονοξειδίου του άνθρακα.
- Να σφίγγετε πλήρως την τάπα του ντεπόζιτου καυσίμου. Αν η τάπα του ντεπόζιτου καυσίμου δεν είναι σφισμένη, υπάρχει κίνδυνος πυρκαγιάς.
- Πριν από την εκκίνηση, μετακινήστε το προϊόν σε απόσταση τουλάχιστον 3 m /10 ft από το σημείο όπου γεμίσατε το ντεπόζιτο.
- Μην γεμίζετε ποτέ εντελώς το ντεπόζιτο καυσίμου. Η υψηλή θερμοκρασία προκαλεί διαστολή του καυσίμου. Αφήνετε κενό στο επάνω μέρος του ντεπόζιτου.

Συσκευές ασφαλείας στο προϊόν



ΠΡΟΕΙΔΟΠΟΙΗΣΗ: Προτού χρησιμοποιήσετε το προϊόν, διαβάστε τις παρακάτω προειδοποιητικές οδηγίες.

- Μην χρησιμοποιείτε ποτέ το προϊόν, αν υπάρχουν ελαττωματικές συσκευές ασφαλείας.
- Πρέπει να κάνετε τακτικά έλεγχο των συσκευών ασφαλείας. Αν οι συσκευές ασφαλείας είναι ελαττωματικές, απευθυνθείτε στον αντιπρόσωπο σέρβις της Husqvarna.

Για τον έλεγχο του κάλυμματος κοπής

Το κάλυμμα κοπής μειώνει τους κραδασμούς στο προϊόν και μειώνεται ο κίνδυνος τραυματισμού από τη λεπίδα.

- Εξετάστε το κάλυμμα κοπής για να βεβαιωθείτε ότι δεν υπάρχουν φθορές όπως ρωγμές.

Για τον έλεγχο της λαβής φρένου του κινητήρα

Η λαβή του φρένου κινητήρα σταματάει τον κινητήρα. Όταν απελευθερωθεί η λαβή του φρένου κινητήρα, ο κινητήρας σταματάει.

- Εκκινήστε τον κινητήρα και αφήστε τη λαβή του φρένου του κινητήρα. Αν ο κινητήρας δεν σταματά σε 3 δευτερόλεπτα, αναθέστε τη ρύθμιση του φρένου κινητήρα σε έναν εγκεκριμένο αντιπρόσωπο σέρβις Husqvarna. (Εικ. 15)

Εξάτμιση (σιγαστήρας)

Η εξάτμιση (σιγαστήρας) διατηρεί τα επίπεδα θορύβου στο ελάχιστο και κατευθύνει τις αναθυμιάσεις της εξάτμισης μακριά από το χειριστή.

Μην χρησιμοποιείτε το προϊόν, αν η εξάτμιση (σιγαστήρας) λείπει ή είναι ελαττωματική. Αν η εξάτμιση (σιγαστήρας) είναι ελαττωματική, αυξάνεται το επίπεδο θορύβου και ο κίνδυνος φωτιάς.



ΠΡΟΕΙΔΟΠΟΙΗΣΗ: Η εξάτμιση (σιγαστήρας) θερμαίνεται πολύ κατά τη διάρκεια της χρήσης και παραμένει θερμή μετά τη χρήση, καθώς και όταν ο κινητήρας λειτουργεί στο ρελαντί. Προσέχετε όταν κινείστε κοντά σε

Οδηγίες ασφαλείας για τη συντήρηση



ΠΡΟΕΙΔΟΠΟΙΗΣΗ: Προτού χρησιμοποιήσετε το προϊόν, διαβάστε τις παρακάτω προειδοποιητικές οδηγίες.

- Οι αναθυμιάσεις της εξάτμισης από τον κινητήρα περιέχουν μονοξείδιο του άνθρακα, ένα άσπρο, δηλητηριώδες και ιδιαίτερα επικίνδυνο αέριο. Να μην εκκινείτε τον κινητήρα σε εσωτερικούς ή κλειστούς χώρους.
- Πριν πραγματοποιήσετε συντήρηση στο προϊόν, σβήστε τον κινητήρα και αποσυνδέστε το καλώδιο ανάφλεξης από το μπουζύι.
- Να χρησιμοποιείτε προστατευτικά γάντια όταν κάνετε συντήρηση του εξοπλισμού κοπής. Η λεπίδα είναι πολύ κοφτερή και μπορεί εύκολα να κοπείτε.
- Τα αξεσουάρ και οι τροποποιήσεις στο προϊόν που δεν είναι εγκεκριμένες από τον κατασκευαστή, μπορεί να προκαλέσουν σοβαρό τραυματισμό ή θάνατο. Να μην πραγματοποιείτε αλλαγές στο προϊόν. Να χρησιμοποιείτε μόνο εξαρτήματα που έχουν εγκριθεί από τον κατασκευαστή.
- Αν η συντήρηση δεν γίνεται σωστά και τακτικά, αυξάνεται ο κίνδυνος τραυματισμού και ζημιάς στο προϊόν.
- Να πραγματοποιείτε μόνο τις εργασίες συντήρησης όπως δίνονται σε αυτό το εγχειρίδιο κατόχου. Όλες οι άλλες εργασίες συντήρησης πρέπει να γίνονται από εγκεκριμένο αντιπρόσωπο σέρβις Husqvarna.
- Να αναθέτετε τη συντήρηση του προϊόντος σε έναν εγκεκριμένο αντιπρόσωπο σέρβις Husqvarna σε τακτά χρονικά διαστήματα.
- Να αντικαθιστάτε τυχόν κατεστραμμένα, φθαρμένα ή σπασμένα εξαρτήματα.

Συναρμολόγηση

Συναρμολόγηση της λαβής

1. Περάστε τη βίδα (A) μέσα από τη λαβή (B), την πλαστική ροδέλα (C) και το μπράτσο του στηρίγματος της λαβής (D). (Εικ. 16)
2. Σφίξτε καλά το παξιμάδι (E).
3. Περάστε τη βίδα (F) μέσα από τη ροδέλα (G) και το μπράτσο του στηρίγματος της λαβής.
4. Σφίξτε καλά τη χειρόβιδα (H).
5. Ευθυγραμμίστε τις οπές στη χειρολαβή με τις οπές στο κάτω μέρος της λαβής και στερεώστε τις βίδες, τις ροδέλες και τις χειρόβιδες. Σφίξτε πλήρως τις χειρόβιδες. (Εικ. 17)
6. Στερεώστε τις ντίζες στη λαβή με τα σχετικά στηρίγματα. (Εικ. 18)

Περιεχόμενα Βεβαιωθείτε ότι η μηχανική τάση στις ντίζες δεν είναι υπερβολικά υψηλή. Σε περίπτωση πολύ υψηλής μηχανικής τάσης, μπορεί να προκληθεί ζημιά στην ντίζα, εάν διπλωθεί η λαβή στη θέση μεταφοράς.

7. Τοποθετήστε τις ντίζες γύρω από το γάντζο στο κάτω μέρος της λαβής. (Εικ. 19)

Για να προσαρμόσετε το ύψος της λαβής

1. Χαλαρώστε τις κάτω χειρόβιδες. (Εικ. 20)
2. Βγάλτε τη χειρόβιδα, τη ροδέλα και τη βίδα στην αριστερή και τη δεξιά πλευρά.
3. Η λαβή μπορεί να ρυθμιστεί σε 2 διαφορετικά ύψη. Τοποθετήστε τη βίδα σε μία από τις 2 οπές στην αριστερή και τη δεξιά πλευρά. (Εικ. 21)
4. Στερεώστε τις βίδες, τις ροδέλες και τις χειρόβιδες.
5. Μετακινήστε τους μοχλούς προς την κατεύθυνση της χειρολαβής μέχρι να σταματήσουν και να ακούσετε ένα κλικ. Σφίξτε πλήρως τις χειρόβιδες. (Εικ. 22)

Ρύθμιση του προϊόντος στη θέση μεταφοράς

1. Αφαιρέστε τον συλλέκτη χόρτου.
2. Χαλαρώστε τις χειρόβιδες στο πάνω μέρος της λαβής και διπλώστε τη λαβή προς τα κάτω. (Εικ. 23)
3. Χαλαρώστε τις κάτω χειρόβιδες.
4. Μετακινήστε τους μοχλούς στο κατώτερο άκρο των αυλακώσεων από την αριστερή και τη δεξιά πλευρά του προϊόντος. (Εικ. 24)
5. Διπλώστε τη χειρολαβή προς τα εμπρός. (Εικ. 25)

Για να ρυθμίσετε το προϊόν στη θέση λειτουργίας

1. Ανασηκώστε τη χειρολαβή μέχρι το κάτω μέρος της λαβής να ασφαλίσει στη θέση λειτουργίας. (Εικ. 26)
2. Μετακινήστε τους μοχλούς προς την κατεύθυνση της χειρολαβής μέχρι να σταματήσουν και να ακούσετε ένα κλικ.
3. Σφίξτε πλήρως τις χειρόβιδες. (Εικ. 27)
4. Ανασηκώστε το επάνω μέρος της χειρολαβής.
5. Σφίξτε καλά τις χειρόβιδες. (Εικ. 28)

Συναρμολόγηση του συλλέκτη χόρτου

1. Τοποθετήστε το επάνω τμήμα του συλλέκτη χόρτου πάνω στο κάτω τμήμα του. (Εικ. 29)
2. Συνδέστε το πλαίσιο του συλλέκτη χόρτου με τις αγκράφες. (Εικ. 30)
3. Ανασηκώστε το πίσω κάλυμμα.
4. Συνδέστε τα άγκιστρα του συλλέκτη χόρτου στο επάνω άκρο του σασί. (Εικ. 31)
5. Τοποθετήστε το κάτω μέρος του συλλέκτη χόρτου στο κανάλι εκτόξευσης γρασιδιού.

Λειτουργία

Εισαγωγή



ΠΡΟΕΙΔΟΠΟΙΗΣΗ: Προτού χρησιμοποιήσετε το προϊόν, πρέπει να διαβάσετε και να κατανοήσετε το κεφάλαιο για την ασφάλεια.

Husqvarna Connect

Η Husqvarna Connect είναι μια δωρεάν εφαρμογή για τη φορητή συσκευή σας. Η εφαρμογή Husqvarna Connect παρέχει εκτεταμένες λειτουργίες για το προϊόν σας Husqvarna:

- Περισσότερες πληροφορίες για το προϊόν.
- Πληροφορίες και βοήθεια για τα ανταλλακτικά και το σέρβις του προϊόντος.

Για να αρχίσετε να χρησιμοποιείτε το προϊόν Husqvarna Connect

1. Κατεβάστε την εφαρμογή Husqvarna Connect στη φορητή συσκευή σας.
2. Εγγραφείτε στην εφαρμογή Husqvarna Connect.
3. Ακολουθήστε τα βήματα με τις οδηγίες που θα βρείτε στην εφαρμογή Husqvarna Connect για να συνδέσετε και να δηλώσετε το προϊόν.

Πριν χρησιμοποιήσετε το προϊόν

1. Διαβάστε το εγχειρίδιο χρήσης προσεκτικά και βεβαιωθείτε ότι έχετε κατανοήσει τις οδηγίες.
2. Εξετάστε τον εξοπλισμό κοπής για να βεβαιωθείτε ότι είναι σωστά συνδεδεμένος και ρυθμισμένος. Ανατρέξτε στην ενότητα *Για να ελέγξετε τον εξοπλισμό κοπής στη σελίδα 80*.
3. Γεμίστε το ντεπόζιτο καυσίμου. Ανατρέξτε στην ενότητα *Ανεφοδιασμός με καύσιμο στη σελίδα 78*.
4. Γεμίστε το ντεπόζιτο λαδιού και κάντε έναν έλεγχο της στάθμης λαδιού. Ανατρέξτε στην ενότητα *Έλεγχος της στάθμης λαδιού στη σελίδα 81*.

Ανεφοδιασμός με καύσιμο

Εάν υπάρχει, χρησιμοποιήστε βενζίνη με καύσιμο χαμηλών εκπομπών/αλκυλικό καύσιμο. Εάν δεν υπάρχει διαθέσιμη βενζίνη με καύσιμο χαμηλών εκπομπών/αλκυλικό καύσιμο, χρησιμοποιήστε αμόλυβδη βενζίνη καλής ποιότητας ή μολυβδόχο βενζίνη με αριθμό οκτανίων όχι μικρότερο από 91.



ΠΡΟΣΟΧΗ: Μην χρησιμοποιείτε βενζίνη με αριθμό οκτανίων μικρότερο από 91 RON. Μπορεί να προκληθεί ζημιά στο προϊόν.



ΠΡΟΣΟΧΗ: Να αντικαθιστάτε το φίλτρο καυσίμου μία φορά ετησίως ή συχνότερα, εάν χρειάζεται. Για καινούργια φίλτρα καυσίμου, μπορείτε να απευθυνθείτε στον τοπικό αντιπρόσωπο της Husqvarna.



ΠΡΟΣΟΧΗ: Να σβήνετε πάντα τον κινητήρα πριν γεμίσετε το προϊόν με καύσιμο.



ΠΡΟΣΟΧΗ: Μην χρησιμοποιείτε υγρά εκκίνησης υπό πίεση.

1. Ανοίξτε αργά την τάπα του ντεπόζιτου καυσίμου για να εκτονώσετε την πίεση.
2. Γεμίστε αργά με ένα δοχείο καυσίμων. Αν χύσετε καύσιμο, καθαρίστε το με ένα πανί και αφήστε το καύσιμο που απομένει να στεγνώσει. (Εικ. 32)
3. Καθαρίστε την περιοχή γύρω από την τάπα του ντεπόζιτου καυσίμου.
4. Να σφίγγετε πλήρως την τάπα του ντεπόζιτου καυσίμου. Αν η τάπα του ντεπόζιτου καυσίμου δεν είναι σφιγμένη, υπάρχει κίνδυνος πυρκαγιάς.
5. Πριν από την εκκίνηση, μετακινήστε το προϊόν σε απόσταση τουλάχιστον 3 m /10 ft από το σημείο όπου γεμίσατε το ντεπόζιτο.

Για να ρυθμίσετε το ύψος κοπής

1. Μετακινήστε το μοχλό ύψους κοπής προς τα πίσω για να αυξήσετε το ύψος κοπής.
2. Μετακινήστε το μοχλό ύψους κοπής προς τα εμπρός για να μειώσετε το ύψος κοπής. (Εικ. 33)



ΠΡΟΣΟΧΗ: Μην ρυθμίζετε το ύψος κοπής πολύ χαμηλά. Οι λεπίδες μπορεί να χτυπήσουν στο έδαφος αν η επιφάνεια του χλοοτάπητα δεν είναι επίπεδη.

Εκκίνηση του προϊόντος

1. Βεβαιωθείτε ότι το καλώδιο ανάφλεξης είναι συνδεδεμένο στο μπουζί.
2. Να παραμένετε πίσω από το προϊόν.
3. Κρατήστε τη λαβή του φρένου κινητήρα προς τη χειρολαβή. (Εικ. 34)
4. Πιάστε τη λαβή του κορδονιού εκκίνησης με το δεξί σας χέρι.
5. Τραβήξτε αργά έξω το κορδόνι της μίζας μέχρι να αισθανθείτε κάποια αντίσταση.
6. Τραβήξτε δυνατά για να εκκινήσει ο κινητήρας.



ΠΡΟΕΙΔΟΠΟΙΗΣΗ: Μην τυλίγετε ποτέ το σχοινί της τροχαλίας του συστήματος εκκίνησης γύρω από το χέρι σας.

Χρήση της κίνησης στους τροχούς

- Πιέστε την ασφάλεια κίνησης προς την κατεύθυνση της χειρολαβής. (Εικ. 35)
- Απελευθερώστε την ασφάλεια κίνησης για να αποδευθεύσετε την κίνηση, για παράδειγμα όταν βρίσκεστε κοντά σε κάποιο εμπόδιο.
- Προτού τραβήξετε το προϊόν προς τα πίσω, αποσυμπλέξτε τον μηχανισμό μετάδοσης κίνησης και σπρώξτε το προϊόν προς τα εμπρός κατά περίπου 10 cm.

Διακοπή λειτουργίας του προϊόντος

- Για να διακόψετε μόνο την κίνηση, απελευθερώστε την ασφάλεια οδήγησης.

- Για να διακόψετε τη λειτουργία του κινητήρα, απελευθερώστε τη λαβή του φρένου κινητήρα.

Για ένα καλό αποτέλεσμα

- Να χρησιμοποιείτε πάντα μια ακονισμένη λεπίδα. Η στομωμένη λεπίδα δίνει ένα ακανόνιστο αποτέλεσμα και η επιφάνεια κοπής του γρασιδιού γίνεται κίτρινη. Επίσης, η ακονισμένη λεπίδα χρησιμοποιεί λιγότερη ενέργεια από μια στομωμένη λεπίδα.
- Να μην κόβετε ποτέ πάνω από το 1/3 του μήκους του γρασιδιού. Να κόβετε πρώτα με το ύψος κοπής ρυθμισμένο σε υψηλό. Εξετάστε το αποτέλεσμα και χαμηλώστε το ύψος κοπής σε κατάλληλο επίπεδο. Αν το γρασίδι είναι πολύ μακρύ, οδηγήστε αργά και κόψτε 2 φορές, αν είναι απαραίτητο.
- Να κόβετε κάθε φορά σε διαφορετικές κατευθύνσεις για να αποφεύγετε τις ρίγες στο γρασίδι.

Συντήρηση

Εισαγωγή



ΠΡΟΕΙΔΟΠΟΙΗΣΗ: Προτού εκτελέσετε εργασίες συντήρησης, πρέπει να διαβάσετε και να κατανοήσετε το κεφάλαιο για την ασφάλεια.

Για όλες τις εργασίες συντήρησης και επισκευής στο προϊόν, είναι απαραίτητη ειδική εκπαίδευση. Μπορούμε να εγγυηθούμε για τη διαθεσιμότητα των επαγγελματικών επισκευών και τη συντήρηση. Αν ο αντιπρόσωπός σας δεν είναι αντιπρόσωπος σέρβις, μιλήστε του για πληροφορίες σχετικά με τον πλησιέστερο αντιπρόσωπο σέρβις.

Πρόγραμμα συντήρησης



ΠΡΟΣΟΧΗ: Βεβαιωθείτε ότι το φίλτρο αέρα είναι στραμμένο προς τα πάνω και όχι προς το έδαφος όταν γέρνετε το προϊόν. Κίνδυνος ζημιάς στον κινητήρα.

Τα διαστήματα συντήρησης υπολογίζονται με βάση την καθημερινή χρήση του προϊόντος. Τα διαστήματα αλλάζουν αν το προϊόν δεν χρησιμοποιείται καθημερινά.

Για τις εργασίες συντήρησης που προσδιορίζονται με αστερίσκο (*), ανατρέξτε στις οδηγίες στην ενότητα *Συσκευές ασφαλείας στο προϊόν στη σελίδα 76.*

| Συντήρηση | Καθημερινά | Κάθε μήνα | Σε κάθε σεζόν |
|--|------------|-----------|---------------|
| Εκτέλεση γενικής επιθεώρησης | X | | |
| Έλεγχος της στάθμης λαδιού | X | | |
| Αλλαγή λαδιού (την πρώτη φορά μετά από 5 ώρες χρήσης, έπειτα μετά από κάθε 50 ώρες χρήσης) ³⁶ | | | X |
| Καθαρισμός του προϊόντος | X | | |
| Έλεγχος του εξοπλισμού κοπής | X | | |
| Έλεγχος του καλύμματος κοπής * | X | | |
| Έλεγχος λαβής του φρένου κινητήρα * | X | | |
| Έλεγχος της εξάτμισης (σιγαστήρα) * | | X | |

³⁶ Εάν το προϊόν λειτουργεί με βαρύ φορτίο ή σε υψηλές θερμοκρασίες περιβάλλοντος, πρέπει να αντικαθιστάτε το λάδι κινητήρα κάθε 25 ώρες.

| Συντήρηση | Καθημερινά | Κάθε μήνα | Σε κάθε σεζόν |
|---|------------|-----------|---------------|
| Ελέγξτε το μπουζί. Καθαρίστε ή αντικαταστήστε το μπουζί, εάν χρειάζεται | | | X |
| Έλεγχος του φίλτρου αέρα | X | | |
| Καθαρισμός του φίλτρου αέρα ³⁷ | | X | |
| Αντικαταστήστε το φίλτρο αέρα | | | X |
| Έλεγχος του συστήματος καυσίμου | | | X |
| Καθαρίστε τα περυσία φτερωτής (ανεμιστήρα) ψύξης του κυλίνδρου | | X | |
| Ελέγξτε και ρυθμίστε την ντίζα του συμπλέκτη (LC 140SP) | | | X |

Εκτέλεση γενικής επιθεώρησης

- Βεβαιωθείτε ότι όλα τα παξιμάδια και οι βίδες πάνω στο προϊόν είναι σφιγμένα σωστά.

Για να καθαρίσετε εξωτερικά το προϊόν

- Χρησιμοποιήστε μια βούρτσα για να αφαιρέσετε φύλλα, γρασιδί και ακαθαρσίες.
- Βεβαιωθείτε ότι η εισαγωγή αέρα στο επάνω μέρος του κινητήρα δεν είναι φραγμένη.
- Μην χρησιμοποιείτε σύστημα πλύσης με υψηλή πίεση για να καθαρίσετε το προϊόν.
- Αν χρησιμοποιείτε νερό για να καθαρίσετε το προϊόν, μην ρίχνετε νερό απευθείας επάνω στον κινητήρα.

Για να καθαρίσετε την εσωτερική επιφάνεια του καλύμματος κοπής

- Αδειάστε το νεποτόζιο καυσίμου.
- Γείρετε το προϊόν. Βεβαιωθείτε ότι το μπουζί δείχνει προς τα πάνω.



ΠΡΟΣΟΧΗ: Αν το προϊόν τοποθετηθεί με το φίλτρο αέρα προς τα κάτω, ο κινητήρας μπορεί να υποστεί ζημιά.

- Ξεπλύνετε την εσωτερική επιφάνεια του καλύμματος κοπής ρίχνοντας νερό προς τα κάτω με ένα λάστιχο.

Για να ελέγξετε τον εξοπλισμό κοπής



ΠΡΟΕΙΔΟΠΟΙΗΣΗ: Για να αποτρέψετε ακούσια εκκίνηση, αφαιρέστε το καλώδιο ανάφλεξης από το μπουζί.



ΠΡΟΕΙΔΟΠΟΙΗΣΗ: Να χρησιμοποιείτε προστατευτικά γάντια όταν κάνετε συντήρηση του εξοπλισμού κοπής. Η λεπίδα είναι πολύ κοφτερή και μπορεί εύκολα να κοπείτε.

- Ελέγξτε τον εξοπλισμό κοπής για ζημιές ή ρωγμές. Πρέπει πάντα να αντικαθιστάτε τον εξοπλισμό κοπής, αν έχει υποστεί ζημιά.
- Κοιτάξτε τη λεπίδα για να δείτε εάν είναι φθαρμένη ή στομαυμένη.

Περιεχόμενα Είναι απαραίτητο να ζυγοσταθμίσει η λεπίδα μετά το ακόνισμα. Να αναθέτετε το ακόνισμα, την αντικατάσταση και τη ζυγοστάθμιση της λεπίδας σε ένα κέντρο σέρβις. Αν χτυπήσετε κάποιο εμπόδιο και σταματήσει το προϊόν, αντικαταστήστε τη φθαρμένη λεπίδα. Το κέντρο σέρβις θα αξιολογήσει αν η λεπίδα μπορεί να ακονιστεί ή πρέπει να αντικατασταθεί.

Για να αντικαταστήσετε τη λεπίδα

- Ασφαλίστε τη λεπίδα με έναν ξύλινο τάκο. (Εικ. 36)
- Αφαιρέστε τη βίδα της λεπίδας.
- Αφαιρέστε τη λεπίδα.
- Εξετάστε την υποστήριξη και τη βίδα της λεπίδας για να δείτε εάν υπάρχουν φθορές.
- Εξετάστε τον άξονα του κινητήρα για να βεβαιωθείτε ότι δεν είναι λυγισμένος.
- Κατά τη σύνδεση της νέας λεπίδας, στρέψτε τα άκρα της λεπίδας που σχηματίζουν γωνία προς την κατεύθυνση του καλύμματος κοπής. (Εικ. 37)
- Βεβαιωθείτε ότι η λεπίδα είναι ευθυγραμμισμένη με το κέντρο του άξονα του κινητήρα.
- Ασφαλίστε τη λεπίδα με έναν ξύλινο τάκο. Τοποθετήστε τη ροδέλα του ελατηρίου και σφίξτε τη βίδα και τη ροδέλα με ροπή 45–60 N. m. (Εικ. 38)
- Περιστρέψτε τη λάμα με το χέρι και βεβαιωθείτε ότι μπορεί να περιστραφεί χωρίς προβλήματα.



ΠΡΟΕΙΔΟΠΟΙΗΣΗ: Να χρησιμοποιείτε γάντια βαρέος τύπου. Η λεπίδα είναι πολύ κοφτερή και μπορεί εύκολα να κοπείτε.

³⁷ Καθαρίζετε συχνότερα σε συνθήκες με σκόνη ή όταν υπάρχουν αερομεταφερόμενα σωματίδια. Αντικαταστήστε το φίλτρο αέρα, εάν είναι πολύ βρώμικο.

10. Εκκινήστε το προϊόν για να δοκιμάσετε τη λεπίδα. Αν η λεπίδα δεν είναι σωστά συνδεδεμένη, θα υπάρχουν κραδασμοί στο προϊόν ή το αποτέλεσμα κοπής δεν θα είναι ικανοποιητικό.

Έλεγχος της στάθμης λαδιού



ΠΡΟΣΟΧΗ: Το πολύ χαμηλό επίπεδο λαδιού μπορεί να προκαλέσει βλάβη στον κινητήρα. Να κάνετε έλεγχο της στάθμης λαδιού πριν από την εκκίνηση του προϊόντος.

1. Τοποθετήστε το προϊόν σε οριζόντιο έδαφος.
2. Αφαιρέστε το καπάκι του ντεπόζιτου λαδιού με τον συνδεδεμένο δείκτη στάθμης.
3. Καθαρίστε το λάδι από το δείκτη στάθμης.
4. Τοποθετήστε το δείκτη στάθμης πλήρως μέσα στο ντεπόζιτο λαδιού για να έχετε μια σωστή εικόνα της στάθμης λαδιού.
5. Αφαιρέστε το δείκτη στάθμης.
6. Εξετάστε τη στάθμη λαδιού πάνω στο δείκτη στάθμης.
7. Αν η στάθμη του λαδιού είναι χαμηλή, συμπληρώστε με λάδι κινητήρα και ελέγξτε ξανά τη στάθμη λαδιού.

Περιεχόμενα Χρησιμοποιήστε ένα χωνί για να αποφύγετε τη διαρροή.

Αντικατάσταση λαδιού του κινητήρα



ΠΡΟΕΙΔΟΠΟΙΗΣΗ: Το λάδι του κινητήρα είναι πολύ καυτό αμέσως μετά το σβήσιμο του κινητήρα. Αφήστε τον κινητήρα να κρυώσει προτού αδειάσετε το λάδι του κινητήρα. Αν πέσει λάδι κινητήρα στο δέρμα σας, καθαρίστε το με σαπούνι και νερό.

(Εικ. 39)

Περιεχόμενα Χρησιμοποιήστε λάδι για 4-χρονους κινητήρες. Βεβαιωθείτε ότι χρησιμοποιείτε το σωστό ιζώδες για τη θερμοκρασία περιβάλλοντος.

1. Λειτουργήστε το προϊόν μέχρι να αδειάσει το ντεπόζιτο καυσίμου.
2. Αφαιρέστε το καλώδιο της μίζας από το μπουζί.
3. Αφαιρέστε την τάπα ντεπόζιτου λαδιού.
4. Αποστραγγίστε το λάδι κινητήρα από το ντεπόζιτο λαδιού με μια αντλία λαδιού (αξεσουάρ).
5. Γεμίστε με καινούργιο λάδι κινητήρα που έχει τον προτεινόμενο τύπο στο *Τεχνικά στοιχεία στη σελίδα 84*.
6. Ελέγξτε τη στάθμη λαδιού. Ανατρέξτε στην ενότητα *Έλεγχος της στάθμης λαδιού στη σελίδα 81*.

Για να καθαρίσετε το αφρώδες πλαστικό φίλτρο

1. Αφαιρέστε το κάλυμμα του φίλτρου αέρα και το αφρώδες πλαστικό φίλτρο.
2. Καθαρίστε το αφρώδες πλαστικό φίλτρο με σαπούνι και νερό.
3. Ξεπλύνετε το αφρώδες πλαστικό φίλτρο με καθαρό νερό.
4. Στραγγίξτε το νερό από το αφρώδες πλαστικό φίλτρο και αφήστε το να στεγνώσει.



ΠΡΟΣΟΧΗ: Μην χρησιμοποιείτε συμπιεσμένο αέρα. Ενδέχεται να προκληθεί ζημιά στο αφρώδες πλαστικό φίλτρο.

5. Λιπάνετε το αφρώδες πλαστικό φίλτρο με λάδι κινητήρα.
6. Πιέστε ένα καθαρό πανί πάνω στο αφρώδες πλαστικό φίλτρο για να αφαιρέσετε το ανεπιθύμητο λάδι.
7. Τοποθετήστε το φίλτρο αέρα στη θέση του. Βεβαιωθείτε ότι το φίλτρο αέρα εφαρμόζει πλήρως στον συκρατητή του φίλτρου αέρα.
8. Τοποθετήστε το κάλυμμα του φίλτρου αέρα στη θέση του.

Για να εξετάσετε το μπουζί



ΠΡΟΣΟΧΗ: Χρησιμοποιείτε πάντα τον συνιστώμενο τύπο μπουζί. Η χρήση λάθος τύπου μπουζί μπορεί να προκαλέσει ζημιά στο προϊόν.

- Αν ο κινητήρας έχει χαμηλή ισχύ, δεν εκκινείται εύκολα ή δεν λειτουργεί σωστά στο ρελαντί, ελέγξτε το μπουζί.
- Για να μειώσετε τον κίνδυνο συσσώρευσης ανεπιθύμητων υλικών στα ηλεκτρόδια του μπουζί, ακολουθήστε τις παρακάτω οδηγίες:
 - a) Βεβαιωθείτε ότι οι στροφές ανά λεπτό ρελαντί έχουν ρυθμιστεί σωστά.
 - b) Βεβαιωθείτε ότι το μίγμα καυσίμου είναι σωστό.
 - c) Βεβαιωθείτε ότι το φίλτρο αέρα είναι καθαρό.
- Αν το μπουζί είναι βρόμικο, καθαρίστε το και βεβαιωθείτε ότι το διάκενο του ηλεκτροδίου είναι σωστό, ανατρέξτε στην ενότητα *Τεχνικά στοιχεία στη σελίδα 84*. (Εικ. 40)
- Αν χρειάζεται, αντικαταστήστε το μπουζί.

Για να ελέγξετε το σύστημα καυσίμου

- Ελέγξτε την τάπα του ντεπόζιτου καυσίμου και την τσιμούχα στεγανότητας της τάπας του ντεπόζιτου καυσίμου για να βεβαιωθείτε ότι δεν υπάρχουν φθορές.
- Ελέγξτε το σωλήνα καυσίμου για να βεβαιωθείτε ότι δεν υπάρχουν διαρροές. Αν ο σωλήνας καυσίμου

έχει υποστεί φθορά, αναθέστε την αντικατάστασή του σε έναν αντιπρόσωπο σέρβις.

Ρύθμιση του καλωδίου του συμπλέκτη ((LC 140SP))

Για τις παρακάτω περιπτώσεις, πρέπει να μειώσετε το μήκος του καλωδίου του συμπλέκτη:

- Η κίνηση των τροχών δεν ενεργοποιείται όταν τραβάτε την ασφάλεια κίνησης ή το μοχλό ελέγχου ταχύτητας.
- Το προϊόν κινείται αργά όταν η κίνηση των τροχών είναι ενεργοποιημένη.

Για τις παρακάτω περιπτώσεις, είναι απαραίτητο να αυξήσετε το μήκος του καλωδίου του συμπλέκτη:

- Το προϊόν κινείται όταν δεν έχει ενεργοποιηθεί η κίνηση των τροχών.
- Ρυθμίστε το καλώδιο του συμπλέκτη.
 - a) Για να μειώσετε το μήκος του καλωδίου του συμπλέκτη, γυρίστε τη βίδα ρύθμισης αριστερόστροφα.
 - b) Για να αυξήσετε το μήκος του καλωδίου του συμπλέκτη, γυρίστε τη βίδα ρύθμισης δεξιόστροφα. (Εικ. 41)

Εάν το προϊόν συνεχίζει να μην κινείται ικανοποιητικά μετά τη ρύθμιση, απευθυνθείτε στον αντιπρόσωπο σέρβις.

Αντιμετώπιση προβλημάτων κινητήρα

| Πρόβλημα | Πιθανή αιτία | Λύση |
|-----------------------------------|---|---|
| Ο κινητήρας δεν εκκινείται. | Το καλώδιο ανάφλεξης δεν έχει συνδεθεί σωστά. | Συνδέστε το καλώδιο ανάφλεξης στο μπουζί. |
| | Το ντεπόζιτο καυσίμου έχει αδειάσει. | Γεμίστε το ντεπόζιτο καυσίμου με τον σωστό τύπο καυσίμου. |
| | Το καύσιμο είναι παλιό. | Αδειάστε το ντεπόζιτο καυσίμου και το καρμπυρατέρ. Ανεφοδιάστε το προϊόν με νέα βενζίνη. |
| | Υπάρχουν σκουπίδια στο καρμπυρατέρ ή στη γραμμή καυσίμου. | Καθαρίστε το καρμπυρατέρ ή/και τη γραμμή καυσίμου. |
| | Το μπουζί είναι ελαττωματικό. | Ρυθμίστε το διάκενο του ηλεκτροδίου, καθαρίστε ή αντικαταστήστε το μπουζί. |
| | Υπάρχει καύσιμο στο μπουζί. | Καθαρίστε το μπουζί. |
| Ο κινητήρας δεν σβήνει. | Υπάρχει βλάβη στον μηχανισμό διακοπής λειτουργίας. | Αφαιρέστε το καλώδιο ανάφλεξης από το μπουζί. Αναθέστε την επισκευή του προϊόντος σε έναν εγκεκριμένο αντιπρόσωπο σέρβις. |
| Ο κινητήρας δεν λειτουργεί ομαλά. | Το καλώδιο ανάφλεξης δεν έχει συνδεθεί σωστά. | Συνδέστε το καλώδιο ανάφλεξης στο μπουζί. |
| | Υπάρχουν βρομιές στη γραμμή καυσίμου ή το καύσιμο έχει λήξει. | Καθαρίστε τη γραμμή καυσίμου. Γεμίστε το ντεπόζιτο καυσίμου με καινούργιο καύσιμο σωστού τύπου. |
| | Υπάρχει εμπόδιο στην τάπα του ντεπόζιτου καυσίμου. | Καθαρίστε την τάπα του ντεπόζιτου καυσίμου. |
| | Υπάρχει νερό ή βρομιά στο σύστημα καυσίμου. | Αποστραγγίστε το ντεπόζιτο καυσίμου. Γεμίστε το ντεπόζιτο καυσίμου με καινούργιο καύσιμο σωστού τύπου. |
| | Το φίλτρο αέρα είναι βρόμικο. | Καθαρίστε το φίλτρο αέρα. |
| | Πρέπει να γίνει ρύθμιση του καρμπυρατέρ. | Αναθέστε τη ρύθμιση του καρμπυρατέρ σε έναν αντιπρόσωπο σέρβις. |

| Πρόβλημα | Πιθανή αιτία | Λύση |
|---|---|--|
| Ο κινητήρας υπερθερμαίνεται. | Η στάθμη λαδιού κινητήρα είναι πολύ χαμηλή. | Γεμίστε με λάδι κινητήρα. |
| | Η παροχή αέρα δεν είναι επαρκής. | Καθαρίστε το φίλτρο αέρα και το περίβλημα του φίλτρου αέρα. |
| | Πρέπει να γίνει ρύθμιση του καρμπυρατέρ. | Αναθέστε τη ρύθμιση του καρμπυρατέρ σε έναν αντιπρόσωπο σέρβις. |
| Παρουσιάζεται αφλογιστία στον κινητήρα όταν λειτουργεί με υψηλές στροφές. | Το διάκενο του ηλεκτροδίου στο μπουζί είναι πολύ μικρό. | Ρυθμίστε το διάκενο αέρα. |
| Ασυνήθιστοι θόρυβοι από τον κινητήρα κατά τη διάρκεια λειτουργίας με κανονικό φορτίο. | Λάθος τύπος βενζίνης. | Αδειάστε το ντεπόζιτο καυσίμου και το καρμπυρατέρ. Ανεφοδιάστε το προϊόν με νέα βενζίνη. Ανατρέξτε στην ενότητα <i>Ανεφοδιασμός με καύσιμο στη σελίδα 78</i> . Εάν το πρόβλημα συνεχίζει να εμφανίζεται, επικοινωνήστε με τον τοπικό αντιπρόσωπο σέρβις. |
| Ο κινητήρας δεν λειτουργεί ομαλά στο ρελαντί. | Το μπουζί είναι βρόμικο, ελαττωματικό ή το διάκενο του ηλεκτροδίου είναι πολύ μεγάλο. | Ρυθμίστε το διάκενο ηλεκτροδίου ή αντικαταστήστε το μπουζί. |
| | Πρέπει να γίνει ρύθμιση του καρμπυρατέρ. | Ρυθμίστε το καρμπυρατέρ. |
| | Το φίλτρο αέρα είναι βρόμικο. | Καθαρίστε το φίλτρο αέρα. |

Μεταφορά, αποθήκευση και απόρριψη

Μεταφορά και αποθήκευση

- Για την αποθήκευση και τη μεταφορά του προϊόντος και του καυσίμου, βεβαιωθείτε ότι δεν υπάρχουν διαρροές ή αναθυμιάσεις. Τυχόν σπινθήρες ή ακάλυπτες φλόγες, για παράδειγμα από ηλεκτρικές συσκευές ή λέβητες, μπορεί να προκαλέσουν πυρκαγιά.
- Να χρησιμοποιείτε πάντα εγκεκριμένα δοχεία για την αποθήκευση και τη μεταφορά των καυσίμων.
- Να αδειάζετε το ντεπόζιτο καυσίμου πριν την αποθήκευση του προϊόντος για μεγάλο χρονικό διάστημα. Να απορρίπτετε το καύσιμο σε μια κατάλληλη τοποθεσία απόρριψης.
- Να στερεώνετε με ασφάλεια το προϊόν κατά τη μεταφορά για να αποφύγετε βλάβες και ατυχήματα.

- Να διατηρείτε το προϊόν σε μια κλειδωμένη περιοχή για να αποτρέψετε την πρόσβαση σε παιδιά ή μη εγκεκριμένα άτομα.
- Να διατηρείτε το προϊόν σε μια περιοχή στεγνή και χωρίς πάγο.

Απόρριψη

- Πρέπει να συμμορφώνεστε με τις τοπικές απαιτήσεις ανακύκλωσης και τους ισχύοντες κανονισμούς.
- Πετάξτε όλα τα χημικά, όπως το λάδι κινητήρα ή το καύσιμο, σε ένα κέντρο σέρβις ή σε μια κατάλληλη τοποθεσία απόρριψης.
- Όταν το προϊόν δεν είναι πλέον σε χρήση, στείλτε το σε έναν αντιπρόσωπο Husqvarna ή απορρίψτε το σε μια τοποθεσία ανακύκλωσης.

Τεχνικά στοιχεία

Τεχνικά στοιχεία

| | LC 140P | LC 140SP |
|---|---|---|
| Κινητήρας | | |
| Επωνυμία | Husqvarna | Husqvarna |
| Όνομα μοντέλου κινητήρα | HS 123A | HS 123A |
| Τύπος κινητήρα | Μονοκύλινδρος, 4-χρονος, ψύξη με εξαναγκασμένη κυκλοφορία αέρα, OHV | Μονοκύλινδρος, 4-χρονος, ψύξη με εξαναγκασμένη κυκλοφορία αέρα, OHV |
| Κυβισμός, cm ³ | 123 | 123 |
| Ταχύτητα, σ.α.λ. | 3000 | 3000 |
| Ονομαστική απόδοση ισχύος κινητήρα, kW ³⁸ | 1,95 | 1,95 |
| Σύστημα ανάφλεξης | | |
| Μπουζί | Husqvarna HQT-7 | Husqvarna HQT-7 |
| Διάκενο ηλεκτροδίου, mm | 0,7-0,8 | 0,7-0,8 |
| Σύστημα καυσίμου και λίπανσης | | |
| Τύπος λίπανσης κινητήρα | Παφλασμός | Παφλασμός |
| Χωρητικότητα ντεπόζιτου καυσίμου, λίτρα | 0,9 | 0,9 |
| Χωρητικότητα δοχείου λαδιού, λίτρα | 0,5 | 0,5 |
| Λάδι κινητήρα ³⁹ | Husqvarna SAE 30 | Husqvarna SAE 30 |
| Βάρος | | |
| Με κενά ντεπόζιτα, kg | 25,2 | 26,8 |
| Εκπομπές θορύβου⁴⁰ | | |
| Στάθμη ηχητικής ισχύος, μετρημένη, dB(A) | 93 | 93 |
| Στάθμη ηχητικής ισχύος, εγγυημένη, L _{WA} dB (A) | 95 | 95 |
| Στάθμες ήχου⁴¹ | | |
| Στάθμη ηχητικής πίεσης στο αυτί του χειριστή, dB(A) | 81 | 81 |

³⁸ Η ονομαστική ισχύς του εν λόγω κινητήρα είναι η μέση ωφέλιμη ισχύς (σε συγκεκριμένες στροφές κινητήρα) ενός τυπικού κινητήρα παραγωγής για το μοντέλο του κινητήρα μετρημένης βάσει του προτύπου SAE J1349/ISO1585. Οι κινητήρες μαζικής παραγωγής μπορεί να διαφέρουν από την τιμή αυτή. Η πραγματική ωφέλιμη απόδοση ισχύος του κινητήρα που τοποθετείται στο τελικό προϊόν εξαρτάται από την ταχύτητα λειτουργίας, τις συνθήκες του περιβάλλοντος και άλλες τιμές.

³⁹ Εάν το λάδι SAE-30 χρησιμοποιείται σε θερμοκρασίες χαμηλότερες από +5 °C, υπάρχει κίνδυνος να μην λιπανθεί επαρκώς ο κινητήρας. Αυτό μπορεί να προκαλέσει ζημιά στον κινητήρα. Ανατρέξτε στην ενότητα *Αντικατάσταση λαδιού του κινητήρα στη σελίδα 81* για το σωστό λάδι για χαμηλές θερμοκρασίες.

⁴⁰ Οι εκπομπές θορύβου στο περιβάλλον μετρούνται ως ηχητική ισχύς (L_{WA}) σε συμμόρφωση με την Οδηγία 2000/14/ΕΚ.

⁴¹ Τα καταγεγραμμένα στοιχεία για τη στάθμη πίεσης θορύβου έχουν τυπική στατιστική διασπορά (τυπική απόκλιση) 1,2 dB(A).

| | LC 140P | LC 140SP |
|---|------------------------|------------------------|
| Στάθμες κραδασμών⁴² | | |
| Κραδασμοί στη χειρολαβή, m/s ² | 5,6 | 7,6 |
| Εξοπλισμός κοπής | | |
| Ύψος κοπής, mm | 25-75 | 25-75 |
| Πλάτος κοπής, mm | 400 | 400 |
| Σύστημα κοπής | Συλλογή / Εξαγωγή πίσω | Συλλογή / Εξαγωγή πίσω |
| Λεπίδες - βασικός εξοπλισμός | Συλλογή 5873863-10 | Συλλογή 5873863-10 |
| Χωρητικότητα συλλέκτη χόρτου, λίτρο | 50 | 50 |
| Σύστημα μετάδοσης κίνησης | | |
| Ταχύτητα αυτόματης πορείας, km/h | – | 4 |

⁴² Τα καταγεγραμμένα στοιχεία για τη στάθμη κραδασμών έχουν τυπική στατιστική διασπορά (τυπική απόκλιση) της τάξης του 0,2 m/s².

Δήλωση Συμμόρφωσης ΕΚ

Δήλωση Συμμόρφωσης ΕΚ

Η **Husqvarna AB**, SE-561 82 Huskvarna, Σουηδία, τηλ.: +46-36-146500, δηλώνει ότι τα χλοοκοπτικά γκαζόν **Husqvarna LC 140P, LC 140SP** από το έτος 2020 και έπειτα, πληρούν τις προϋποθέσεις της ΟΔΗΓΙΑΣ του ΣΥΜΒΟΥΛΙΟΥ:

- με ημερομηνία 8 Ιουνίου 2011 σχετικά με τον "περιορισμό της χρήσης συγκεκριμένων επικίνδυνων ουσιών" **2011/65/EE**
- με ημερομηνία 17 Μαΐου 2006 "σχετικά με τα μηχανήματα" **2006/42/EK**
- με ημερομηνία 26 Φεβρουαρίου 2014 "σχετικά με την ηλεκτρομαγνητική συμβατότητα" **2014/30/EE**
- με ημερομηνία 8 Μαΐου 2000 "περί εκπομπών θορύβου στο περιβάλλον" **2000/14/EK**

Για πληροφορίες σχετικά με τις εκπομπές θορύβου, βλ. την ενότητα "Τεχνικά στοιχεία".

Εφαρμόστηκαν τα ακόλουθα πρότυπα:

EN ISO 5395-1:2013, EN ISO 5395-1:2013/A1, EN ISO 5395-2:2013, EN ISO 5395-2:2013/A1:2016, EN ISO 5395-2:2013/A2:2017, EN ISO 14982:2009

Αν δεν ορίζεται διαφορετικά, τα παραπάνω πρότυπα αντιστοιχούν στις πιο πρόσφατες δημοσιευμένες εκδόσεις.

Καινοπονημένος φορέας: **0036, TÜV SÜD Industrie Service GmbH, Westendstrasse 199, 80686 München, Germany** έχει πραγματοποιήσει αξιολόγηση της συμμόρφωσης σύμφωνα με το Παράρτημα VI της οδηγίας 2000/14/EK.

Huskvarna, 2020-10-20



Claes Losdal, Διευθυντής ανάπτυξης/Προϊόντα κήπου (Εξουσιοδοτημένος αντιπρόσωπος της Husqvarna AB και υπεύθυνος για την τεχνική τεκμηρίωση)

Contenido

| | | | |
|---------------------|----|---|----|
| Introducción..... | 87 | Resolución de problemas del motor..... | 96 |
| Seguridad..... | 88 | Transporte, almacenamiento y eliminación..... | 97 |
| Montaje..... | 91 | Datos técnicos..... | 97 |
| Funcionamiento..... | 91 | Declaración de conformidad CE..... | 99 |
| Mantenimiento..... | 93 | | |

Introducción

Descripción del producto

El producto es un cortacésped giratorio conducido a pie. La hierba se recoge en un recogedor de césped. Retire el recogedor de césped para utilizar la descarga trasera de hierba.

Uso previsto

Utilice el producto para cortar hierba. No utilice el producto para otras tareas.

Descripción del producto

(Fig. 1)

1. Manillar
2. Mango de transmisión (LC 140SP)
3. Empuñadura de la cuerda de arranque
4. Recogedor de césped
5. Depósito de combustible
6. Filtro de aire
7. Bujía
8. Cubierta del equipo de corte
9. Silenciador
10. Tapón del depósito de aceite
11. Palanca de la altura de corte
12. Cubierta trasera
13. Palanca del freno del motor
14. Símbolos
15. Conjunto de manillar inferior
16. Empuñadura inferior
17. Manual de usuario
18. Embudo para aceite

(Fig. 5) Mantenga a las personas y animales a una distancia de seguridad respecto a la zona de trabajo.

(Fig. 6) Advertencia: Mantenga alejados las manos y los pies de la cuchilla giratoria.

(Fig. 7) Advertencia: Mantenga alejados las manos y los pies de las piezas giratorias.

(Fig. 8) Detenga el motor y quite el cable de encendido antes de realizar tareas de mantenimiento o reparación.

(Fig. 9) Este producto cumple con las directivas CE vigentes.

(Fig. 10) Las emisiones sonoras en el entorno según la directiva de la Comunidad Europea. Las emisiones del producto se indican en el capítulo «Datos técnicos» y en la etiqueta.

(Fig. 11) Riesgo de incendio.

(Fig. 12) No inhale los gases de escape. Los gases de escape del motor contienen monóxido de carbono, que es un gas inodoro, tóxico y muy peligroso. No arranque el motor en interiores ni en espacios cerrados.

(Fig. 13) Superficie caliente.

(Fig. 14) Llene el motor de aceite antes de arrancar el producto.

Símbolos que aparecen en el producto

(Fig. 2) **ADVERTENCIA:** Tenga cuidado y utilice el producto correctamente. Este producto puede ocasionar lesiones graves o mortales tanto al operador como a cualquier otra persona.

(Fig. 3) Lea detenidamente el manual de usuario y asegúrese de que entiende las instrucciones antes de usar la máquina.

(Fig. 4) Tenga cuidado con los objetos lanzados o rebotados.

Nota: Los demás símbolos/etiquetas que aparecen en el producto corresponden a requisitos de homologación específicos de algunas zonas comerciales.

Emisiones Euro V



ADVERTENCIA: La manipulación del motor anula la homologación de la UE de este producto.

Responsabilidad sobre el producto

Como se estipula en las leyes de responsabilidad del producto, no nos hacemos responsables de los daños y perjuicios causados por nuestro producto si:

- El producto se ha reparado incorrectamente.
- El producto se ha reparado con piezas que no eran del fabricante o no autorizadas por el fabricante.
- El producto tiene un accesorio que no es del fabricante o no está autorizado por este.
- El producto no se ha reparado en un centro de servicio autorizado o por un organismo homologado.

Seguridad

Definiciones de seguridad

Las advertencias, precauciones y notas se utilizan para destacar información especialmente importante del manual.



ADVERTENCIA: Indica un riesgo de lesiones o incluso de muerte del usuario o de las personas cercanas si no se respetan las instrucciones del manual.



PRECAUCIÓN: Indica un riesgo de daños en el producto, otros materiales o el área adyacente si no se respetan las instrucciones del manual.

Nota: Se usa para proporcionar más información necesaria en una situación determinada.

Instrucciones generales de seguridad



ADVERTENCIA: Lea las siguientes instrucciones de advertencia antes de utilizar el producto.

- Este producto es una herramienta peligrosa si se usa incorrectamente o si no se tiene cuidado. Puede causar lesiones graves o incluso la muerte si no siguen las instrucciones de seguridad.
- Este producto genera un campo electromagnético durante el funcionamiento. Este campo magnético puede, en determinadas circunstancias, interferir con implantes médicos activos o pasivos. Para reducir el riesgo de que se den condiciones que provocarían lesiones graves o letales, las personas que utilizan implantes médicos deben consultar con su médico y con el fabricante del implante antes de poner en marcha este producto.
- Proceda siempre con cuidado y utilice siempre el sentido común. Si no está seguro de cómo manejar el producto en una situación especial, pare y consulte con su distribuidor Husqvarna antes de continuar.

- Debe tenerse en cuenta que el operador será responsable de los accidentes que involucren a otras personas o a su propiedad.
- Mantenga el producto limpio. Asegúrese de que puede leer claramente las etiquetas.
- No permita que nadie utilice el producto a menos que se asegure de que haya leído y comprendido el contenido del manual de usuario.
- No deje que un niño maneje el producto.
- Mantenga a los niños alejados de la zona de trabajo. Debe haber presente en todo momento una persona mayor de edad responsable.
- No permita que nadie maneje el producto sin conocer las instrucciones.
- Si una persona con discapacidad física o mental usa el producto, asegúrese de supervisarla en todo momento. Debe haber presente en todo momento una persona mayor de edad responsable.
- No utilice el producto si está cansado, enfermo o si se encuentra bajo los efectos de alcohol, drogas o medicamentos. Esto tiene un efecto negativo en su visión, vigilancia, coordinación y capacidad de decisión.
- No utilice el producto si está defectuoso.
- No modifique este producto ni lo utilice si puede haber sido modificado por otras personas.
- No cambie el ajuste del régimen del motor.

Seguridad en el área de trabajo



ADVERTENCIA: Lea las siguientes instrucciones de advertencia antes de utilizar el producto.

- Retire objetos tales como ramas, palos y piedras de la zona de trabajo antes de usar el producto.
- Los objetos que chocan contra el equipo de corte pueden salir despedidos y causar daños a personas y objetos. Mantenga a las personas y los animales a una distancia de seguridad respecto al producto.
- No utilice el producto en condiciones climáticas desfavorables, como niebla, lluvia, viento fuerte, frío intenso y riesgo de relámpagos. El uso del producto en condiciones climáticas desfavorables o en entornos húmedos o mojados produce mucho

cansancio. El mal tiempo puede causar condiciones peligrosas, como superficies resbaladizas.

- Preste atención a las personas, objetos y situaciones que puedan impedir el funcionamiento seguro del producto.
- Tenga cuidado con los posibles obstáculos, como raíces, piedras, ramas, hoyos y zanjas. El césped crecido puede esconder obstáculos.
- Cortar el césped en pendientes puede resultar peligroso. No utilice el producto en pendientes de más de 15°.
- Utilice el producto a lo largo de las laderas de las pendientes. No se desplace hacia arriba y hacia abajo.
- Tenga cuidado cuando se acerque a esquinas y objetos escondidos que puedan bloquear su campo de visión.

Seguridad en el trabajo



ADVERTENCIA: Lea las siguientes instrucciones de advertencia antes de utilizar el producto.

- Utilice este producto para cortar solamente césped. No está permitido utilizar el producto para otras tareas.
- Utilice el equipo de protección personal. Consulte la sección *Equipo de protección personal en la página 89*.
- Asegúrese de que sabe cómo detener el motor rápidamente en caso de emergencia.
- Nunca arranque el motor en un espacio cerrado ni cerca de materiales inflamables. Los gases de escape del motor están calientes y pueden contener chispas que pueden provocar un incendio.
- No utilice el producto a menos que la cuchilla y todas las cubiertas estén fijadas correctamente. Una cuchilla fijada incorrectamente puede soltarse y provocar daños personales.
- Asegúrese de que la cuchilla no golpea ningún objeto, como piedras y raíces. Esto puede causar daños a la cuchilla y doblar el eje del motor. Un eje doblado causa vibraciones excesivas y un riesgo muy alto de que la cuchilla se suelte.
- Si la cuchilla choca con algún objeto o si se producen vibraciones, pare el producto inmediatamente. Desconecte el cable de encendido de la bujía. Examine el producto para comprobar si presenta daños. Repare los daños o lleve el producto a un taller de servicio autorizado para realizar la reparación.
- No aople la maneta del freno del motor permanentemente al mango cuando el motor esté encendido.
- Ponga el producto en una superficie plana y estable, y arránquelo. Asegúrese de que la cuchilla no entre en contacto con el suelo u otros objetos.

- Manténgase siempre detrás del producto durante su uso.
- Mientras utilice el producto, mantenga todas las ruedas apoyadas en el suelo y las dos manos en el manillar. Mantenga alejados las manos y los pies de las cuchillas giratorias.
- No incline el producto con el motor en marcha.
- Tenga cuidado cuando tire del producto hacia atrás.
- Nunca levante el producto con el motor en marcha. Si tiene que levantar el producto, primero apague el motor y desconecte el cable de encendido de la bujía.
- No camine hacia atrás mientras utiliza el producto.
- Detenga el motor cuando se desplace por áreas sin hierba, por ejemplo, caminos de grava, piedra y asfalto.
- No corra con el producto con el motor en marcha. Camine siempre mientras utiliza el producto.
- Detenga el motor antes de cambiar la altura de corte. Nunca realice ajustes con el motor en marcha.
- No deje el producto desatendido con el motor en marcha. Pare el motor y asegúrese de que el equipo de corte no gire.

Instrucciones de seguridad para el funcionamiento

Equipo de protección personal



ADVERTENCIA: Lea las siguientes instrucciones de advertencia antes de utilizar el producto.

- El equipo de protección personal no elimina completamente el riesgo de lesiones, pero reduce la gravedad de las lesiones en caso de accidente. Deje que el distribuidor le ayude a seleccionar el equipo adecuado.
- Utilice protectores auriculares si el nivel de ruido es superior a 85 dB.
- Utilice botas o zapatos de trabajo antideslizantes. No utilice calzado abierto ni vaya descalzo.
- Utilice pantalones largos gruesos.
- Utilice guantes protectores cuando sea necesario, por ejemplo, para el montaje, inspección o limpieza del equipo de corte.

Dispositivos de seguridad en el producto



ADVERTENCIA: Lea las siguientes instrucciones de advertencia antes de utilizar el producto.

- No utilice un producto que tenga dispositivos de seguridad defectuosos.
- Realice una comprobación de los dispositivos de seguridad con frecuencia. Si los dispositivos de seguridad están defectuosos, hable con su taller de servicio Husqvarna.

Comprobación de la cubierta del equipo de corte

La cubierta del equipo de corte disminuye las vibraciones en el producto y el riesgo de lesiones provocadas por la cuchilla.

- Examine la cubierta de corte para asegurarse de que no haya daños como, por ejemplo, grietas.

Comprobación de la maneta de freno del motor

La maneta del freno del motor detiene el motor. Cuando se suelta la maneta del freno del motor, el motor se para.

- Arranque el motor y, a continuación, suelte la maneta de freno. Si el motor no se detiene en 3 segundos, lleve el producto a un taller de servicio Husqvarna autorizado para realizar el ajuste del freno del motor. (Fig. 15)

Silenciador

El silenciador mantiene al mínimo los niveles de ruido y aparta los gases de escape del operador.

No utilice el producto si el silenciador no está instalado o está defectuoso. Un silenciador defectuoso aumenta el nivel de ruido y el riesgo de incendio.



ADVERTENCIA: El silenciador se calienta mucho durante y después de su uso, y cuando el motor funciona a ralentí. Tenga cuidado cerca de materiales inflamables o gases para evitar incendios.

Seguridad en el uso del combustible



ADVERTENCIA: Lea las siguientes instrucciones de advertencia antes de utilizar el producto.

- No arranque el producto si está manchado con combustible o aceite del motor. Retire el combustible/aceite no deseado y deje secar el producto.
- Si derrama combustible sobre la ropa, cámbiese inmediatamente.
- Evite el contacto con el combustible; puede provocarle lesiones. Si entra en contacto con el combustible, utilice agua y jabón para eliminar el combustible.
- No arranque el motor si el producto tiene una fuga. Examine frecuentemente si hay fugas en el motor.
- Tenga cuidado con el combustible. El combustible es inflamable, sus vapores son explosivos y puede provocar lesiones o la muerte.
- No inhale los vapores de combustible, ya que pueden causar lesiones. Asegúrese de que hay ventilación suficiente.
- No fume cerca del combustible o el motor.

- No coloque objetos calientes cerca del combustible o el motor.
- No agregue el combustible con el motor encendido.
- Asegúrese de que el motor esté frío antes de repostar.
- Antes de repostar, abra la tapa del depósito de combustible lentamente y deje salir el exceso de presión con cuidado.
- No añada combustible al motor en interiores. Una circulación de aire insuficiente puede causar lesiones o la muerte por asfixia o inhalación de monóxido de carbono.
- Apriete el tapón del depósito de combustible completamente. Si el tapón del depósito de combustible no se aprieta, existe riesgo de incendio.
- Antes de arrancar el producto, llévalo a 3 m (10 pies) de distancia como mínimo del punto en el que llenó el depósito.
- No llene el depósito de combustible por completo. El calor hace que el combustible se expanda. Deje espacio en la parte superior del depósito de combustible.

Instrucciones de seguridad para el mantenimiento



ADVERTENCIA: Lea las siguientes instrucciones de advertencia antes de utilizar el producto.

- Los gases de escape del motor contienen monóxido de carbono, que es un gas inodoro, tóxico y muy peligroso. No arranque el motor en interiores ni en espacios cerrados.
- Antes de realizar el mantenimiento del producto, detenga el motor y desconecte el cable de encendido de la bujía.
- Utilice guantes protectores cuando realice el mantenimiento del equipo de corte. La cuchilla está muy afilada y se pueden producir cortes con mucha facilidad.
- Los accesorios y modificaciones en el producto que no estén aprobados por el fabricante pueden causar daños graves o la muerte. No modifique el producto. Utilice siempre accesorios autorizados por el fabricante.
- Si el mantenimiento no se realiza correctamente y de forma regular, aumenta el riesgo de lesiones y daños en el producto.
- Realice únicamente las tareas de mantenimiento que se indican en este manual del propietario. Todos los demás trabajos de mantenimiento deben llevarse a cabo en un taller de servicio Husqvarna autorizado.
- Lleve el producto a un taller de servicio Husqvarna autorizado para realizar el mantenimiento de forma regular.
- Cambie las piezas dañadas, desgastadas o rotas.

Montaje

Montaje del manillar

1. Coloque el tornillo (A) a través del manillar (B), la arandela de plástico (C) y el soporte del manillar (D). (Fig. 16)
2. Apriete la tuerca (E) completamente.
3. Coloque el tornillo (F) a través de la arandela (G) y el soporte del manillar.
4. Apriete la ruedecilla (H) por completo.
5. Alinee los orificios de la parte superior del manillar con los de la parte inferior y fije los tornillos, arandelas y ruedecillas. Apriete las ruedecillas por completo. (Fig. 17)
6. Fije los cables al manillar con los soportes. (Fig. 18)

Nota: Asegúrese de los cables no estén demasiado tensos. Una tensión demasiado alta puede provocar daños en el cable si el manillar se pliega en la posición de transporte.

7. Coloque los cables alrededor del gancho en la parte inferior del manillar. (Fig. 19)

Para regular la altura del manillar

1. Afloje las ruedecillas inferiores. (Fig. 20)
2. Retire la ruedecilla, la arandela y el tornillo del lado izquierdo y del derecho.
3. El manillar puede ajustarse en 2 alturas diferentes. Vuelva a colocar los tornillos en uno de los 2 orificios del lado izquierdo y del derecho. (Fig. 21)
4. Fije los tornillos, las arandelas y las ruedecillas.
5. Mueva las ruedecillas hacia arriba, en dirección al manillar, hasta que finalice su recorrido y escuche un clic. Apriete las ruedecillas por completo. (Fig. 22)

Para ajustar el producto en la posición de transporte

1. Retire el recogedor de césped.

2. Afloje las ruedecillas del manillar superior y pliegue este hacia abajo. (Fig. 23)
3. Afloje las ruedecillas inferiores.
4. Mueva las ruedecillas hacia el extremo inferior de las ranuras en el lado izquierdo y derecho del producto. (Fig. 24)
5. Doble el mango hacia delante. (Fig. 25)

Ajuste del producto en la posición de trabajo

1. Levante el manillar hasta que la parte inferior de este quede bloqueado en la posición de trabajo. (Fig. 26)
2. Mueva las ruedecillas hacia arriba, en dirección al manillar, hasta que finalice su recorrido y escuche un clic.
3. Apriete las ruedecillas a fondo. (Fig. 27)
4. Levante la parte superior del manillar.
5. Apriete las ruedecillas a fondo. (Fig. 28)

Para montar el recogedor de césped

1. Coloque la parte superior del recogedor de césped sobre la parte inferior del mismo. (Fig. 29)
2. Fije el bastidor del recogedor de césped con los clips. (Fig. 30)
3. Levante la cubierta trasera.
4. Encaje los ganchos del recogedor de césped en el borde superior del chasis. (Fig. 31)
5. Coloque la parte inferior del recogedor de césped en el canal de descarga.

Funcionamiento

Introducción



ADVERTENCIA: Antes de utilizar el producto, debe leer y entender el capítulo sobre seguridad.

proporciona más funciones para su producto Husqvarna:

- Información ampliada sobre el producto.
- Información y asistencia sobre piezas y mantenimiento de productos.

Husqvarna Connect

Husqvarna Connect es una aplicación gratuita para su dispositivo móvil. La aplicación Husqvarna Connect

Para empezar a utilizar Husqvarna Connect

1. Descargue la aplicación Husqvarna Connect en su dispositivo móvil.

2. Registre una cuenta en la aplicación Husqvarna Connect.
3. Siga las instrucciones de la aplicación Husqvarna Connect para conectarse y registrar el producto.

5. Antes de arrancar el producto, llévalo a 3 m (10 pies) de distancia como mínimo del punto en el que llenó el depósito.

Para ajustar la altura de corte

1. Mueva la palanca de altura de corte hacia atrás para aumentar la altura de corte.
2. Mueva la palanca de altura de corte hacia delante para reducir la altura de corte. (Fig. 33)



PRECAUCIÓN: No ajuste la altura de corte demasiado baja. Las cuchillas pueden golpear el suelo si la superficie del césped no está nivelada.

Para arrancar el producto

1. Asegúrese de que el cable de encendido está conectado a la bujía.
2. Manténgase detrás del producto.
3. Sujete la maneta del freno del motor contra el manillar. (Fig. 34)
4. Sostenga la empuñadura de arranque con la mano derecha.
5. Tire lentamente de la cuerda de arranque hasta sentir cierta resistencia.
6. Tire con fuerza para arrancar el motor.



ADVERTENCIA: No se enrolle la cuerda de arranque alrededor de la mano.

Uso de la transmisión de las ruedas

- Empuje el mango de transmisión hacia el manillar. (Fig. 35)
- Suelte el mango de transmisión para desacoplar la transmisión, por ejemplo, cuando se acerque a un obstáculo.
- Antes de tirar del producto hacia atrás, desacople la transmisión y empuje el producto hacia adelante aproximadamente 10 cm.

Para detener el producto

- Para detener solo la transmisión, basta con soltar el mango de transmisión.
- Para detener el motor, suelte la maneta del freno del motor.

Para obtener un buen resultado

- Use siempre una cuchilla afilada. Una cuchilla roma proporciona un resultado irregular y la superficie de corte de la hierba adquiere un tono amarillo. Una cuchilla afilada también utiliza menos energía que una cuchilla roma.
- No corte más de $\frac{1}{3}$ de la longitud del césped. Corte primero con una altura de corte alta. Examine el

Antes de utilizar el producto

1. Lea detenidamente el manual de usuario y asegúrese de que entiende las instrucciones.
2. Examine el equipo de corte para asegurarse de que está conectado y ajustado correctamente. Consulte *Para inspeccionar el equipo de corte en la página 94*.
3. Llene el depósito de combustible. Consulte *Repostaje de combustible en la página 92*.
4. Llene el depósito de aceite y realice una comprobación del nivel de aceite. Consulte *Para realizar una comprobación del nivel de aceite en la página 94*.

Repostaje de combustible

Si puede, utilice gasolina con bajas emisiones/alquilatos. Si no puede utilizar gasolina con bajas emisiones/alquilatos, utilice una gasolina sin plomo o gasolina con plomo de buena calidad con un octanaje no inferior a 91.



PRECAUCIÓN: No utilice gasolina con un octanaje inferior a 91 octanos RON. Esto puede provocar daños en el producto.



PRECAUCIÓN: Cambie el filtro de combustible una vez al año o más a menudo si fuera necesario. Puede adquirir un nuevo filtro de combustible a través de su distribuidor Husqvarna.



PRECAUCIÓN: Pare siempre el motor antes de añadir combustible.



PRECAUCIÓN: No utilice líquidos de arranque presurizados.

1. Abra el tapón del depósito de combustible lentamente para liberar la presión.
2. Llene lentamente con una lata de combustible. Si derrama combustible, límpielo con un paño y deje que el combustible restante se seque. (Fig. 32)
3. Limpie la zona de alrededor del tapón del depósito de combustible.
4. Apriete el tapón del depósito de combustible completamente. Si el tapón del depósito de combustible no se aprieta, existe riesgo de incendio.

resultado y baje la altura de corte al nivel que corresponda. Si la hierba está muy larga, vaya despacio y corte dos veces si es necesario.

- Corte en direcciones distintas cada vez para evitar crear rayas en el césped.

Mantenimiento

Introducción



ADVERTENCIA: Antes de realizar cualquier trabajo de mantenimiento, debe leer y entender el capítulo sobre seguridad.

Para todos los trabajos de mantenimiento y reparación del producto, es necesario realizar una formación especial. Nosotros garantizamos que los trabajos de mantenimiento y reparación sean realizados por profesionales. Si su distribuidor no es un taller de servicio, pídale información sobre el taller de servicio más cercano.

Programa de mantenimiento



PRECAUCIÓN: Asegúrese de que el filtro de aire esté hacia arriba y no contra el suelo cuando incline el producto. Podría dañar el motor.

Los intervalos de mantenimiento se calculan a partir del uso diario del producto. Los intervalos cambian si el producto no se utiliza a diario.

Para las tareas de mantenimiento identificadas con un *, consulte las instrucciones de *Dispositivos de seguridad en el producto en la página 89*.

| Mantenimiento | Diario | Mensual | Cada temporada |
|---|--------|---------|----------------|
| Inspección general | X | | |
| Compruebe el nivel de aceite | X | | |
| Cambie el aceite (la primera vez a las 5 horas de uso; después, cada 50 h de uso) ⁴³ | | | X |
| Limpie el producto | X | | |
| Inspeccione el equipo de corte | X | | |
| Examine la cubierta de corte * | X | | |
| Examine de la maneta del freno del motor* | X | | |
| Inspeccione el silenciador* | | X | |
| Examine la bujía. Limpie o sustituya la bujía si fuese necesario | | | X |
| Inspección del filtro de aire | X | | |
| Limpie el filtro de aire ⁴⁴ | | X | |
| Sustituya el filtro de aire | | | X |
| Inspeccione el sistema de combustible | | | X |
| Limpie las aletas de refrigeración del cilindro | | X | |
| Inspeccione y ajuste el cable de embrague (LC 140SP) | | | X |

Para realizar una inspección general

- Asegúrese de que todas las tuercas y los tornillos del producto estén apretados correctamente.

Para limpiar el producto externamente

- Use un cepillo para retirar las hojas, la hierba y la suciedad.

⁴³ Si se utiliza el producto con una carga pesada o a temperaturas elevadas, sustituya el aceite del motor cada 25 horas.

⁴⁴ Límpielo con mayor frecuencia en condiciones polvorientas o cuando haya residuos en el aire. Si está muy sucio, sustituya el filtro de aire.

- Asegúrese de que la toma de aire de la parte superior del motor no esté obstruida.
- No utilice un equipo de limpieza a alta presión para limpiar el producto.
- Si utiliza agua para limpiar el producto, no dirija el chorro directamente sobre el motor.

Para limpiar la superficie interior de la cubierta de corte

1. Vacíe el depósito de combustible.
2. Inclíne el producto. Asegúrese de que la bujía apunta hacia arriba.



PRECAUCIÓN: Si el producto se pone con el filtro de aire hacia abajo, el motor puede dañarse.

3. Limpie la superficie interior de la cubierta de corte con una manguera de agua.

Para inspeccionar el equipo de corte



ADVERTENCIA: Para evitar el arranque accidental, desconecte el cable de encendido de la bujía.



ADVERTENCIA: Utilice guantes protectores cuando realice el mantenimiento del equipo de corte. La cuchilla está muy afilada y se pueden producir cortes con mucha facilidad.

1. Inspeccione el equipo de corte para comprobar si presenta daños o grietas. Sustituya siempre un equipo de corte dañado.
2. Inspeccione la cuchilla para comprobar si está dañada o roma.

Nota: Después de afilar la cuchilla, es necesario equilibrarla. El afilado, la sustitución y el equilibrado de la cuchilla deben realizarse en un centro de servicio. Si choca con un obstáculo que haga que el producto se pare, sustituya la cuchilla dañada. Lleve el producto a un centro de servicio, donde estimarán si la cuchilla puede afilarse o debe sustituirse.

Para sustituir la cuchilla

1. Bloquee la cuchilla con un bloque de madera. (Fig. 36)
2. Extraiga el tornillo de la cuchilla.
3. Desmonte la cuchilla.
4. Inspeccione el soporte de la cuchilla y el tornillo de la cuchilla para comprobar si presentan daños.
5. Inspeccione el eje del motor para asegurarse de que no está doblado.
6. Cuando instale la nueva cuchilla, colóquela con los extremos en ángulo en dirección a la cubierta de corte. (Fig. 37)

7. Asegúrese de que la cuchilla quede alineada con el centro del eje del motor.
8. Bloquee la cuchilla con un bloque de madera. Coloque la arandela elástica, y apriete el perno y la arandela con un par de 45–60 Nm. (Fig. 38)
9. Mueva la cuchilla en distintas direcciones manualmente y compruebe que gira libremente.



ADVERTENCIA: Use guantes resistentes. La cuchilla está muy afilada y se pueden producir cortes con mucha facilidad.

10. Arranque el producto para hacer una prueba de la cuchilla. Si la cuchilla no está correctamente fijada, se produce una vibración en el producto o el resultado de corte no es satisfactorio.

Para realizar una comprobación del nivel de aceite



PRECAUCIÓN: Un nivel de aceite demasiado bajo puede causar daños en el motor. Compruebe el nivel de aceite antes de arrancar el producto.

1. Coloque el producto sobre una superficie nivelada.
2. Retire el tapón del depósito de aceite con la varilla de nivel acoplada.
3. Limpie el aceite de la varilla de nivel de aceite.
4. Introduzca la varilla de nivel totalmente en el depósito de aceite para obtener un resultado correcto del nivel de aceite.
5. Quite la varilla de nivel.
6. Compruebe el nivel de aceite que indica la varilla de nivel.
7. Si el nivel de aceite es bajo, llene con aceite de motor y vuelva a comprobar el nivel de aceite.

Nota: Utilice un embudo para evitar derrames.

Sustitución del aceite del motor



ADVERTENCIA: El aceite del motor está muy caliente inmediatamente después de apagar el motor. Deje que el motor se enfríe antes de vaciar el aceite del motor. Si derrama aceite del motor y entra en contacto con la piel, lávese con agua y jabón.

(Fig. 39)

Nota: Utilice aceite para motores de 4 tiempos. Asegúrese de utilizar la viscosidad correcta para la temperatura ambiente.

1. Ponga el producto en funcionamiento hasta que el depósito de combustible se vacíe.
2. Quite el cable de encendido de la bujía.
3. Retire el tapón del depósito de aceite.
4. Drene el aceite del motor del depósito de aceite con una bomba de aceite (accesorio).
5. Llene el depósito con aceite de motor nuevo del tipo recomendado en *Datos técnicos en la página 97*.
6. Compruebe el nivel de aceite. Consulte la sección *Para realizar una comprobación del nivel de aceite en la página 94*.

Para limpiar el filtro de espuma plástica

1. Saque la cubierta del filtro de aire y extraiga el filtro de espuma plástica.
2. Limpie el filtro de espuma plástica con agua y jabón.
3. Enjuague el filtro de espuma plástica con agua limpia.
4. Escurra el agua del filtro de espuma plástica y deje que se seque.



PRECAUCIÓN: No utilice aire comprimido. Esto puede provocar daños en el filtro de espuma plástica.

5. Lubrique el filtro de espuma plástica con aceite de motor.
6. Frote el filtro de espuma plástica con un paño limpio para retirar el aceite sobrante.
7. Vuelva a colocar el filtro de aire. Asegúrese de que el filtro de aire selle totalmente el soporte del filtro de aire.
8. Vuelva a colocar la cubierta del filtro de aire.

Para examinar la bujía



PRECAUCIÓN: Utilice siempre el tipo de bujía recomendado. El uso de un tipo de bujía incorrecto puede causar averías en el producto.

- Examine la bujía si el motor tiene baja potencia, no es fácil de arrancar o no funciona correctamente al régimen de ralentí.
- Para reducir el riesgo de material no deseado en los electrodos de la bujía, siga estas instrucciones:

- a) Asegúrese de que el régimen de ralentí está bien ajustado.
 - b) Asegúrese de que la mezcla de combustible sea correcta.
 - c) Asegúrese de que el filtro de aire esté limpio.
- Si la bujía está sucia, límpiela y asegúrese de que la distancia entre los electrodos sea la correcta, consulte *Datos técnicos en la página 97*. (Fig. 40)
 - Sustituya la bujía si fuese necesario.

Para inspeccionar el sistema de combustible

- Examine el tapón del depósito de combustible y la junta del tapón para comprobar que no presenten daños.
- Examine la manguera de combustible para asegurarse de que no haya fugas. Si la manguera de combustible está dañada, lleve el producto a un taller de servicio para sustituirla.

Ajuste del cable del embrague (LC 140SP)

En las situaciones siguientes, es necesario reducir la longitud del cable del embrague:

- La transmisión de las ruedas no engrana cuando se tira del mango de transmisión o de la palanca de control de régimen.
- El producto se mueve lentamente con la transmisión de las ruedas engranada.

En las situaciones siguientes, es necesario alargar la longitud del cable del embrague:

- El producto se mueve sin que la transmisión de las ruedas esté engranada.
- Ajuste del cable del embrague:
 - a) Para reducir la longitud del cable del embrague, gire el tornillo de ajuste hacia la izquierda.
 - b) Para alargar la longitud del cable del embrague, gire el tornillo de ajuste hacia la derecha. (Fig. 41)

Si el producto continúa sin funcionar de manera satisfactoria después del ajuste, póngase en contacto con el distribuidor.

Resolución de problemas del motor

| Problema | Causa posible | Solución |
|--|---|---|
| El motor no arranca. | El cable de encendido no está conectado correctamente. | Conecte el cable de encendido a la bujía. |
| | El depósito de combustible está vacío. | Llene el depósito de combustible con el tipo de combustible adecuado. |
| | El combustible es antiguo. | Drene el depósito de combustible y el carburador. Reposte con gasolina nueva. |
| | Hay suciedad en el carburador o la tubería de combustible. | Limpie el carburador, la tubería de combustible o ambos. |
| | La bujía está defectuosa. | Ajuste la distancia entre los electrodos y limpie o sustituya la bujía. |
| | Hay combustible en la bujía. | Limpie la bujía. |
| El motor no para. | El mecanismo de parada está defectuoso. | Desconecte el cable de encendido de la bujía. Lleve el producto a un taller de servicio autorizado para que lo reparen. |
| El motor no funciona correctamente. | El cable de encendido no está conectado correctamente. | Conecte el cable de encendido a la bujía. |
| | Hay suciedad en la tubería de combustible o el combustible ha caducado. | Limpie la tubería de combustible. Llene el depósito de combustible con combustible nuevo del tipo correcto. |
| | Hay una obstrucción en el tapón del depósito de combustible. | Limpie el tapón del depósito de combustible. |
| | Hay agua o suciedad en el sistema de combustible. | Vacíe el depósito de combustible. Llene el depósito de combustible con combustible nuevo del tipo correcto. |
| | El filtro de aire está sucio. | Limpie el filtro de aire. |
| | Es necesario ajustar el carburador. | Lleve el carburador a un taller de servicio para que lo ajusten. |
| El motor se calienta demasiado. | El nivel de aceite del motor es demasiado bajo. | Reponga con aceite de motor. |
| | El caudal de aire no es suficiente. | Limpie el filtro de aire y la caja del filtro de aire. |
| | Es necesario ajustar el carburador. | Lleve el carburador a un taller de servicio para que lo ajusten. |
| Se produce un fallo de encendido en el motor cuando funciona a régimen alto. | La distancia entre los electrodos de la bujía es demasiado corta. | Ajuste la distancia entre los electrodos. |

| Problema | Causa posible | Solución |
|--|--|---|
| El motor emite ruidos extraños con una carga normal. | Tipo de gasolina incorrecto. | Drene el depósito de combustible y el carburador. Reposte con gasolina nueva. Consulte la sección <i>Repostaje de combustible en la página 92</i> . Si el problema persiste, póngase en contacto con su taller de servicio más cercano. |
| El motor no funciona correctamente al ralentí. | La bujía está sucia o defectuosa, o la distancia entre los electrodos es demasiado grande. | Ajuste la distancia entre los electrodos o sustituya la bujía. |
| | Es necesario ajustar el carburador. | Ajuste el carburador. |
| | El filtro de aire está sucio. | Limpie el filtro de aire. |

Transporte, almacenamiento y eliminación

Transporte y almacenamiento

- Para el transporte y almacenamiento del producto y del combustible, asegúrese de que no haya fugas ni humos. Las chispas o llamas abiertas, por ejemplo, de dispositivos eléctricos o calderas, pueden producir un incendio.
- Use siempre recipientes homologados para el transporte y almacenamiento de combustible.
- Vacíe el depósito de combustible antes de poner el producto en almacenamiento durante un largo periodo de tiempo. Deseche el combustible en una ubicación adecuada para su eliminación.
- Asegure el producto durante el transporte para evitar daños y accidentes.
- Mantenga el producto en un área cerrada para impedir el acceso a niños o personas no autorizadas.

- Mantenga el producto en un lugar seco y al abrigo de las heladas.

Eliminación

- Respete los requisitos de reciclaje locales y las normas aplicables.
- Deseche todos los productos químicos, como el aceite de motor o el combustible, en un centro de servicio o una ubicación adecuada para su eliminación.
- Cuando ya no use el producto, envíelo a un distribuidor Husqvarna o deséchelo en un punto de reciclaje.

Datos técnicos

Datos técnicos

| | LC 140P | LC 140SP |
|-----------------------------|--|--|
| Motor | | |
| Marca | Husqvarna | Husqvarna |
| Nombre del modelo del motor | HS 123A | HS 123A |
| Tipo de motor | Monocilíndrico, 4 tiempos, refrigeración forzada por aire, OHV | Monocilíndrico, 4 tiempos, refrigeración forzada por aire, OHV |
| Cilindrada, cm ³ | 123 | 123 |
| Velocidad, rpm | 3000 | 3000 |

| | LC 140P | LC 140SP |
|---|---------------------------|---------------------------|
| Potencia nominal del motor, kW ⁴⁵ | 1,95 | 1,95 |
| Sistema de encendido | | |
| Bujía | Husqvarna HQT-7 | Husqvarna HQT-7 |
| Distancia entre electrodos, mm | 0,7-0,8 | 0,7-0,8 |
| Sistema de combustible y lubricación | | |
| Tipo de lubricación del motor | Salpicadura | Salpicadura |
| Capacidad del depósito de gasolina, litros | 0.9 | 0.9 |
| Capacidad del depósito de aceite, litros | 0,5 | 0,5 |
| Aceite del motor ⁴⁶ | Husqvarna SAE 30 | Husqvarna SAE 30 |
| Peso | | |
| Con los depósitos vacíos, kg | 25,2 | 26,8 |
| Emisiones de ruido⁴⁷ | | |
| Nivel de potencia acústica medida, dB(A) | 93 | 93 |
| Nivel de potencia acústica garantizado, L _{WA} dB(A) | 95 | 95 |
| Niveles acústicos⁴⁸ | | |
| Nivel de presión sonora en el oído del operario, dB(A) | 81 | 81 |
| Niveles de vibraciones⁴⁹ | | |
| Vibración en el manillar, m/s ² | 5,6 | 7,6 |
| Equipo de corte | | |
| Altura de corte, mm | 25-75 | 25-75 |
| Anchura de corte, mm | 400 | 400 |
| Sistema de corte | Recogida/descarga trasera | Recogida/descarga trasera |
| Cuchillas: estándar | Recogedor 5873863-10 | Recogedor 5873863-10 |
| Capacidad del recogedor de césped, litros | 50 | 50 |
| Transmisión | | |
| Velocidad de movimiento, km/h | – | 4 |

⁴⁵ La potencia de salida del motor indicada es la potencia neta media (al régimen especificado) de un motor de producción típico para el modelo de motor conforme a la norma SAE J1349/ISO1585. Los motores fabricados en serie podrían presentar valores diferentes. La potencia de salida real del motor instalado en el producto final dependerá de la velocidad de funcionamiento, las condiciones medioambientales y otros valores.

⁴⁶ Si utiliza aceite SAE-30 a temperaturas inferiores a +5 °C, existe el riesgo de que no lubrique el motor correctamente. Esto puede ocasionar daños en el motor. Consulte *Sustitución del aceite del motor en la página 94* para saber cuál es el aceite correcto para temperaturas bajas.

⁴⁷ Emisiones sonoras en el entorno medidas como potencia acústica (L_{WA}) según la directiva CE 2000/14/CE.

⁴⁸ Los datos referidos del nivel de presión sonora tienen una dispersión estadística habitual (desviación típica) de 1,2 dB (A).

⁴⁹ Los datos referidos del nivel de vibración poseen una dispersión estadística habitual (desviación típica) de 0,2 m/s².

Declaración de conformidad CE

Declaración de conformidad CE

Husqvarna AB, SE-561 82 Huskvarna (Suecia), tel.: +46-36-146500, declara que el **cortacésped Husqvarna LC 140P, LC 140SP** del año 2020 y siguientes cumple los requisitos expuestos en la DIRECTIVA DEL CONSEJO:

- del 8 junio de 2011 sobre la "restricción de utilización de determinadas sustancias peligrosas" **2011/65/UE**.
- de 17 de mayo de 2006 "relativa a máquinas", **2006/42/CE**.
- de 26 de febrero de 2014 "relativa a compatibilidad electromagnética", **2014/30/UE**.
- de 8 de mayo de 2000 "relativa a emisiones sonoras en el entorno", **2000/14/CE**.

Para obtener información respecto a las emisiones sonoras, consulte la sección sobre datos técnicos.

Se han aplicado las normas siguientes:

EN ISO 5395-1:2013, EN ISO 5395-1:2013/A1, EN ISO 5395-2:2013, EN ISO 5395-2:2013/A1:2016, EN ISO 5395-2:2013/A2:2017, EN ISO 14982:2009

Si no se indica lo contrario, las normas anteriormente indicadas constituyen las últimas versiones publicadas.

Organismo notificado: **0036, TÜV SÜD Industrie Service GmbH, Westendstrasse 199, 80686 München, Germany** ha realizado una evaluación de conformidad según lo que se indica en el Anexo VI de la Directiva 2000/14/CE.

Huskvarna, 2020-10-20



Claes Losdal, Director de desarrollo/productos para el jardín (representante autorizado de Husqvarna AB y responsable de la documentación técnica).

Sisukord

| | | | |
|-------------------|-----|--|-----|
| Sissejuhatus..... | 100 | Mootori tõrkeotsing..... | 108 |
| Ohutus..... | 101 | Transportimine, hoiulepanek ja utiliseerimine..... | 109 |
| Kokkupanek..... | 103 | Tehnilised andmed..... | 109 |
| Töö..... | 104 | EÜ vastavusdeklaratsioon..... | 111 |
| Hooldamine..... | 105 | | |

Sissejuhatus

Toote kirjeldus

Tooteks on lükatav ja pöörlev muruniiduk. Muru kogutakse rohkogurisse. Kui soovite, et muru väljutataks tagant, eemaldage rohkogur.

Toote tutvustus

(Joon. 1)

1. Käepide/juhtraud
2. Veo käepide (LC 140SP)
3. Käivitusnööri käepide
4. Rohkogur
5. Kütusepaak
6. Õhufilter
7. Süüteküünal
8. Lõikekorpus
9. Summuti
10. Õlipaagi kork
11. Lõikekõrguse hoob
12. Tagumine kate
13. Mootori pidurikäepide
14. Sümbolid
15. Alumise käepideme koost
16. Alumine käepide
17. Kasutusjuhend
18. Õlilehter

Sümbolid tootel

- (Joon. 2) HOIATUS! Olge ettevaatlik ja kasutage toodet õigesti. Seade võib põhjustada kasutaja või kõrvaliste isikute ohtliku kehavigastuse või surma.
- (Joon. 3) Enne seadme kasutamist lugege kasutusjuhend põhjalikult läbi, et kõik juhised oleksid täiesti arusaadavad.
- (Joon. 4) Olge ettevaatlik - lenduvad esemed ning tagasipõrkumise oht.
- (Joon. 5) Teised inimesed ja loomad peavad viibima tööalast ohutus kauguses.

Kasutusotstarve

Kasuta toodet muru pügamiseks. Ära kasuta toodet muude tööde tegemiseks.

- (Joon. 6) Hoiatus! Hoidke käed ja jalad pöörlevast terast eemal.
- (Joon. 7) Hoiatus! Hoidke käed ja jalad pöörlevatest osadest eemal.
- (Joon. 8) Enne seadme remontimist või hooldamist seisake mootor ja eemaldage süütejuhe.
- (Joon. 9) Toode vastab ELi kehtivatele direktiividele.
- (Joon. 10) Ümbritsevasse keskkonda leviv müra vastavalt Euroopa Ühenduse direktiivile. Seadme müratase on ära toodud tehniliste andmete peatükis ja etiketil.
- (Joon. 11) Tuleoht.
- (Joon. 12) Ärge hingake sisse heitgaase. Mootori heitgaasid sisaldavad vingugaasi: lõhnutut, mürgist ja väga ohtlikku gaasi. Ärge käivitage mootorit siseruumis ega suletud alal.
- (Joon. 13) Kuum pind.
- (Joon. 14) Enne toote käivitamist täida mootor õliga.

Märkus: Seadmel toodud ülejäänud sümbolid/tähised viitavad teatud kommentarivaldkondade sertifitseerimisnõuetele.

Euro V heitmed



HOIATUS: Mootori igasugune modifitseerimine, muutmine või rikkumine tühistab toote EL-i tüübikinnituse.

Tootevastutus

Tootevastutusseaduste alusel ei vastuta me tootest tingitud kahjustuste eest, kui:

- toodet on valesti parandatud;
- toote parandamisel on kasutatud osi, mis ei ole tootja poolt valmistatud või heaks kiidetud;

- tootel on kasutatud tarvikut, mis ei ole tootja poolt valmistatud või heaks kiidetud;
- toodet ei ole parandatud volitatud hoolduskeskuses või volitatud isiku poolt.

Ohutus

Ohutuse määratlused

Mõistetega „hoiatus”, „ettevaatus” ja „märkus” juhitakse tähelepanu eriti olulistele kohtadele kasutusjuhendis.



HOIATUS: Tähistab kasutusjuhendi juhiste eiramise korral kasutaja või kõrvalseisjate kehavigastuse või surmaga lõppeva õnnetuse ohtu.



ETTEVAATUST: Tähistab kasutusjuhendi juhiste eiramise korral seadme, muude esemete või läheduses asuvate objektide kahjustamise ohtu.

Märkus: Tähistab antud olukorras vajalikku lisateavet.

Üldised ohutuseeskirjad



HOIATUS: Enne seadme kasutamist lugege läbi järgnevad hoiatused.

- Toode on ohtlik, kui seda kasutada valesti või ettevaatamatult. Ohutuseeskirjade eiramine võib põhjustada kehavigastuse või surma.
- Seade tekitab töötades elektromagnetvälja. Teatud tingimustel võib väli häirida aktiivsete või passiivsete meditsiiniliste implantaatide tööd. Raskete või surmaga lõppevate kehavigastuste ohtu vähendamiseks soovitame meditsiinilisi implantaate kasutataval inimestel pidada enne selle seadme kasutamist nõu oma arsti ja implantaadi valmistajaga.
- Olge alati ettevaatlik ja kasutage tervet mõistust. Kui te pole kindel, kuidas toodet eriolukorras kasutada, lõpetage töö ja pidage enne jätkamist nõu Husqvarna edasimüüjaga.
- Arvestage, et teiste isikute ja nende varaga seotud õnnetuste korral kannab vastutust seadme kasutaja.
- Hoidke toode puhas. Veenduge, et märgid ja tähised oleksid selgelt loetavad.
- Ärge lubage kellelgi toodet kasutada enne, kui ta on lugenud kasutusjuhendit ja selle sisu endale selgeks teinud.
- Ärge lubage lastel seadet käsitseda.
- Hoidke lapsed tööalast eemal. Vastutusvõimeline täiskasvanu peab kogu aeg kasutaja juures viibima.

- Ärge lubage kasutusjuhistega mitte tutvunud isikul toodet käsitseda.
- Kui toodet kasutab piiratud füüsiliste või vaimsete võimetega isik, peab ta olema kogu aeg järelevalve all. Vastutusvõimeline täiskasvanu peab kogu aeg kasutaja juures viibima.
- Ärge kasutage toodet, kui olete väsinud, haige või tarvitanud alkoholi, narkootikume või ravimeid. Sellal on negatiivne mõju teie nägemisele, tähelepanuvõimele, liikumisele ja otsustamisvõimele.
- Ärge kasutage toodet, kui see on kahjustatud.
- Ärge muutke toodet ega kasutage seda, kui keegi teine võib olla seda muutnud.
- Ära muuda mootori kiiruse regulaatori seadistust.

Tööala ohutus



HOIATUS: Enne seadme kasutamist lugege läbi järgnevad hoiatused.

- Enne toote kasutamist eemaldage tööalalt oksad ja kivid.
- Lõikeosaga kokku puutuvad esemed võivad õhku paiskuda ning inimesi vigastada ja esemeid kahjustada. Juuresolijad ja loomad peavad viibima tootest ohutus kauguses.
- Ärge kasutage toodet halva ilmaga, näiteks udu, vihma, tugeva tuule, tugeva pakase ja pikseohtu korral. Tootte kasutamine halva ilma ning niiskete ja märgade tingimuste korral on väsitav. Halb ilm võib põhjustada ohtlikke tingimusi (nt libedaid pindu).
- Suhtuge tähelepanelikult inimestesse, esemetesse ja olukordadesse, mis võivad takistada toote ohutut kasutamist.
- Olge ettevaatlik takistuste (nt juurte, kivide, oksade, aukude ja kraavide) suhtes. Kõrge rohi võib peita takistusi.
- Muru niitmine kallakutel võib olla ohtlik. Ärge kasutage toodet alal, mille kalle ületab 15°.
- Kasutage toodet kallakul risti liikudes. Ärge liikuge üles ja alla.
- Olge ettevaatlik varjatud nurkade ja vaatevälja varjavate esemete läheduses.

Tööohutus



HOIATUS: Enne seadme kasutamist lugege läbi järgnevad hoiatused.

- Kasutage seda toodet ainult muru niitmiseks. Muude toimingute tegemiseks toodet kasutada ei tohi.
- Kasutage isikukaitsevahendeid. Vt jaotist *Isikukaitsevahendid lk 102*.
- Veenduge, et teate, kuidas hädaolukorras mootorit kiiresti seisata.
- Ärge käivitage mootorit suletud ruumis ega tuleohtlike materjalide lähedal. Mootori heitgaasid on kuumad ja võivad sisaldada sädemeid, mis võivad tekitada tulekahju.
- Ärge kasutage toodet enne, kui lõiketera ja katted on õigesti kinnitatud. Valesti kinnitatud lõiketera võib lahti tulla ja inimesi vigastada.
- Veenduge, et lõiketera ei puutuks kokku esemetega (nt kivide ja juurtega). See võib lõiketera kahjustada ja põhjustada mootori võlli väändumist. Paindega telg põhjustab tugevat vibratsiooni ja suurt lõiketera lahtitulemise ohtu.
- Kui lõiketera puutub kokku mõne esemega või esineb vibratsioon, peatage toode viivitamatult. Lahutage süüteküünla süütejuhe. Kontrollige toodet kahjustuste suhtes. Parandage kahjustused või laske toodet remontida volitatud hooldustöökojas.
- Kui mootor töötab, ärge kinnitage mootori pidurikäpeid käepidemele jäädavalt.
- Asetage toode stabiilsele ja tasasele pinnale ning käivitage see. Veenduge, et lõiketera ei puutuks vastu maad ega muid esemeid.
- Olge toote kasutamisel alati toote taga.
- Tootet kasutamisel hoidke mõlema käega käepidemest ja kõik toote rattad maas. Hoidke käed ja jalad liikuvatest teradest eemal.
- Kui mootor on käivitatud, ärge kallutage toodet.
- Olge toote tagasisuunas tõmbamisel ettevaatlik.
- Kui mootor on käivitatud, ärge tõstke toodet. Kui teil on vaja toodet tõsta, seisake esmalt mootor ja lahutage süütejuhe süüteküünlast.
- Ärge kõndige toote kasutamise ajal tagurpidi.
- Seisake mootor, kui liigute alal, kus pole muru, näiteks kruusast, kivist ja asfaldist teedel.
- Ärge lükake toodet joostes, kui mootor on käivitatud. Tootet kasutamise ajal kõndige.
- Enne lõikamiskõrguse muutmist seisake mootor. Ärge tehke seadistusi, kui mootor töötab.
- Ärge laske toodet silmist, kui mootor töötab. Seisake mootor ja veenduge, et lõikeosa ei pöörleks.

Ohutusjuhised kasutamisel

Isikukaitsevahendid



HOIATUS: Enne seadme kasutamist lugege läbi järgnevad hoiatused.

- Isikukaitsevarustus ei välista täielikult kehavigastuste ohtu, kuid vähendab õnnetusjuhtumi korral kehavigastuse raskusastet. Õige varustuse valimiseks pöörduge edasimüüja poole.
- Kui müratase ületab 85 dB, kandke kuulmiskaitseid.
- Kandke vastupidavaid saapaid või jalatseid, mis on libisemiskindlad. Ärge kandke avatud jalatseid ega olge paljajalu.
- Kandke tugevaid pikki pükse.
- Vajaduse korral kandke kaitsekindaid, näiteks lõikeosa kinnitades, kontrollides või puhastades.

Toote ohutusseadised



HOIATUS: Enne seadme kasutamist lugege läbi järgnevad hoiatused.

- Ärge kunagi kasutage seadet, kui selle ohutusseadised on defektsed.
- Kontrollige ohutusseadiseid regulaarselt. Kui ohutusseadised on defektsed, pöörduge Husqvarna hooldustöökotta.

Lõikeosa kate kontrollimine

Lõikeosa kate vähendab toote vibratsiooni ja lõiketerast tingitud vigastuste ohtu.

- Kontrollige lõikeosa kahjustuste (nt pragude) suhtes.

Mootori pidurikäpide kontrollimine

Mootori pidurikäpideme abil saab mootori seisata. Mootori pidurikäpideme vabastamisel mootor seiskub.

- Käivitage mootor ja vabastage seejärel mootori pidurikäpide. Kui mootor kolme sekundi jooksul ei seisku, laste mootorpidurit reguleerida Husqvarna volitatud hooldustöökojas. (Joon. 15)

Summuti

Summuti ülesandeks on hoida müratase võimalikult madalal ja suunata mootori heitgaasid kasutajast eemale.

Ärge kasutage seadet, kui summuti puudub või on kahjustatud. Kahjustatud summuti tõstab mürataset ja suurendab tulekahju ohtu.



HOIATUS: Seadme töötamise ajal ja vahetult pärast töötamist ning mootori tühikäigul töötamise ajal on summuti väga kuum. Tulekahju vältimiseks olge tuleohtlike

materjalide ja/või aurude läheduses väga ettevaatlik.

Ohutusnõuded kütuse käsitlemisel



HOIATUS: Enne seadme kasutamist lugege läbi järgnevad hoiatused.

- Ärge käivitage toodet, kui toote pinnale on sattunud kütust või mootoriõli. Eemaldage kütus/õli toote pinnalt ja laske tootel kuivada.
- Kui kütus satub rõivastele, siis vahetage kohe riideid.
- Vältige kütuse sattumist nahale, see võib põhjustada kehavigastusi. Kui kütus satub kehale, puhastage piirkond seebi ja veega.
- Ärge käivitage toodet, kui mootor lekib. Kontrollige regulaarselt mootori lekkekindlust.
- Olge kütuse käsitlemisel ettevaatlik. Kütus on tuleohtlik ja kütuse aurud on plahvatusohtlikud ning võivad põhjustada kehavigastusi või surma.
- Ärge hingake sisse kütuseaure, see võib põhjustada kehavigastuse. Tagage piisav õhuvahetus.
- Ärge suitsetage kütuse ega mootori läheduses.
- Ärge asetage kuumi esemeid kütuse ega mootori lähedusse.
- Ärge tankige kütust, kui mootor töötab.
- Enne tankimise alustamist veenduge, et mootor oleks külm.
- Enne tankimise alustamist avage aeglaselt kütusepaagi kork ja laske survel alaneda.
- Ärge tankige mootorit siseruumis. Ebapiisav õhuvahetus võib põhjustada lämbumisest või vingugaasimürgistusest tingitud kehavigastuse või surma.

- Pingutage kütusepaagi korki korralikult. Pingutamata kütusepaagi kork põhjustab tuleohtu.
- Enne käivitamist viige toode vähemalt 3 m kaugusele kohast, kus toimus kütusepaagi täitmine.
- Ärge täitke kütusepaaki täielikult. Soojuse mõjul kütus paisub. Jätke kütusepaagi ülaserava vaba ruumi.

Ohutusjuhised hooldamisel



HOIATUS: Enne seadme kasutamist lugege läbi järgnevad hoiatused.

- Mootori heitgaasid sisaldavad vingugaasi: lõhnutat, mürgist ja väga ohtlikku gaasi. Ärge käivitage mootorit siseruumis ega suletud alal.
- Enne toote hooldamist seisake mootor ja eemaldage süüteküünla süütejuhe.
- Lõikeosa hooldamisel kandke kaitsekindaid. Lõiketera on väga terav ja võib kergesti põhjustada lõikevigastusi.
- Tootja heakskiiduta tarvikud ja muudatused toote juurest võivad põhjustada tõsiseid kehavigastusi või surma. Ärge muutke toodet. Kasutage tootja heakskiidetud tarvikuid.
- Kui toodet regulaarselt ja õigesti ei hooldata, suureneb oht, et toode saab kahjustada ja võib kedagi vigastada.
- Hooldage toodet ainult selle kasutusjuhendi järgi. Muud hooldustööd tuleb lasta teha Husqvarna heakskiiduga hooldustöökojas.
- Laske toodet regulaarselt hooldada Husqvarna heakskiiduga hooldustöökojas.
- Asendage kahjustatud, kulunud ja katkised osad.

Kokkupanek

Käepideme kokkupanek

1. Lükka kruvi (A) läbi käepideme (B), plastseibi (C) ja käepideme tugikronsteini (D). (Joon. 16)
2. Keera mutter (E) täiesti kinni.
3. Lükka kruvi (F) läbi seibi (G) ja käepideme tugikronsteini.
4. Keera nupp (H) täiesti kinni.
5. Asetage alumise käepideme avad kohakuti juhtraua avadega ning paigaldage poldid, seibid ja nupud. Keerake nupud korralikult kinni. (Joon. 17)
6. Kinnitage kaablid kaablihooidikute abil käepideme külge. (Joon. 18)

Märkus: Veenduge, et kaablid poleks liigselt pingul. Kui kaablid on liiga pingul, võivad need käepideme transportasendisse pööramisel kahjustada saada.

7. Asetage kaablid ümber käepideme all oleva konksu. (Joon. 19)

Käepideme kõrguse reguleerimine

1. Keerake alumised hoovad lahti. (Joon. 20)
2. Eemaldage vasakult ja paremalt küljelt nupp, seib ja kruvi.
3. Käepideme saab seada 2 eri kõrgusele. Asetage kruvi ühte kahest august vasakul ja paremal küljel. (Joon. 21)
4. Paigaldage kruvid, seibid ja nupud.
5. Liigutage nuppusid üles käepideme suunas, kuni need peatuvad ja kostub klõpsatus. Keerake nupud korralikult kinni. (Joon. 22)

Seadme seadmine transportasendisse

1. Eemalda rohkogur.

- Keera lahti ülemise käepideme nupud ja pööra käepide alla. (Joon. 23)
- Keera alumised hoovad lahti.
- Liiguta nupud toote vasakul ja paremal küljel olevatesse soonetesse. (Joon. 24)
- Keera käepide ettepoole. (Joon. 25)

Toote seadmine tööasendisse

- Tõsta juhtrauda, kuni alumine käepide lukustub tööasendisse. (Joon. 26)
- Liiguta nuppsid üles käepideme suunas, kuni need peatuvad ja kostub klõpsatus.
- Keera nupud korralikult kinni. (Joon. 27)

- Tõsta juhtraua ülemist osa.
- Keera nupud korralikult kinni. (Joon. 28)

Rohukoguri kokkupanek

- Asetage rohukoguri ülemine osa rohukoguri alumise osa peale. (Joon. 29)
- Kinnitage rohukoguri raam klambritega. (Joon. 30)
- Kergitage tagakaant.
- Kinnitage rohukoguri konksud raami ülaservale. (Joon. 31)
- Asetage rohukoguri alaosa muru väljaviskekanalis.

Töö

Sissejuhatus



HOIATUS: Enne seadme kasutamist lugege põhjalikult läbi ohutust puudutav jaotis.

Husqvarna Connect

Husqvarna Connect on mobiilsideseadmetele mõeldud tasuta rakendus. Rakendus Husqvarna Connect annab teie Husqvarna tootele lisafunktsionaalsuse:

- Täiendav tooteteave.
- Toote osade ja hoolduse alane teave ja abi.

Toote Husqvarna Connect kasutamise alustamine

- Laadige Husqvarna Connect rakendus oma mobiilsideseadmesse.
- Registreeruge Husqvarna Connect rakenduses.
- Toote ühendamiseks ja registreerimiseks järgige Husqvarna Connect rakenduse juhiseid.

Enne toote kasutamist

- Lugege kasutusjuhend põhjalikult läbi, et kõik juhised oleksid täiesti arusaadavad.
- Veenduge, et lõikeosa oleks õigesti kinnitatud ja reguleeritud. Vt jaotist *Lõikeosa kontrollimine lk 106*.
- Täitke kütusepaak. Vt jaotist *Kütuse tankimine lk 104*.
- Täitke õlipaak ja kontrollide õlitaset. Vt jaotist *Õlitaseme kontrollimine lk 107*.

Kütuse tankimine

Võimaluse korral kasuta keskkonnasäästlikku kütust või alkülaatkütust. Kui keskkonnasäästlikku kütust või alkülaatkütust pole käepärast, kasuta hea kvaliteediga etüleerimata või etüleeritud bensiini, mille oktaanarv on vähemalt 91.



ETTEVAATUST: Ära kasuta bensiini, mille oktaanarv on alla 91 RON. See võib toodet kahjustada.



ETTEVAATUST: Vaheta kütusefiltrit kord aastas või vajaduse korral sagedamini. Uue kütusefiltri saab muretseda meie Husqvarna edasimüüjalt.



ETTEVAATUST: Enne kütuse tankimist seiska mootor.



ETTEVAATUST: Ära kasuta survestatud käivitusvedelikke.

- Surve vabastamiseks avage kütusepaagi kork aeglaselt.
- Lisage kütust aeglaselt kütusenõust. Mahavalgumise korral eemaldage osa kütust lapiga ja laske ülejäänul ära kuivada. (Joon. 32)
- Puhastage kütusepaagi korgi ümbrus.
- Pingutage kütusepaagi korki korralikult. Pingutamata kütusepaagi kork põhjustab tuleohtu.
- Enne käivitamist vii toode vähemalt 3 m kaugusele kohast, kus toimus kütusepaagi täitmine.

Lõikamiskõrguse reguleerimine

- Lõikamiskõrguse suurendamiseks tõmmake lõikamiskõrguse hooba tagasisuunas.
- Lõikamiskõrguse vähendamiseks lükake lõikamiskõrguse hooba edasisuunas. (Joon. 33)



ETTEVAATUST: Ärge seadistage lõikamiskõrgust liiga madalaks. Kui muru pole tasane, võivad lõiketerad puutuda vastu maad.

Toote käivitamine

1. Veenduge, et süütejühe ja süüteküünl oleksid omavahel ühendatud.
2. Olge toote taga.
3. Hoidke mootori pidurikäepidet juhtraua vastas. (Joon. 34)
4. Hoidke starteri nööri käepidet paremas käes.
5. Tõmmake starteri nööri väljasuunas, kuni tunnete vastujõudu.
6. Tõmmake hooga, nii et mootor käivitub.



HOIATUS: Käivitusnööri ei tohi kerida käe ümber.

Veo kasutamine ratastel

- Lükake veo käepidet juhtraua suunas. (Joon. 35)
- Veo vabastamiseks vabastage veo käepide näiteks siis, kui lähenete takistusele.

- Enne seadme tagasisuunas tõmbamist vabastage vedu ja lükake seadet umbes 10 cm edasisuunas.

Toote seiskamine

- Veo peatamiseks vabastage veojõu käepide.
- Mootori seiskamiseks vabastage mootoripiduri käepide.

Hea tulemuse saavutamise

- Kasutage vahedat lõiketera. Nüri tera annab ebahütlase tulemuse ja muru lõigatud osa muutub kollaseks. Terav lõiketera on nüri teraga võrreldes energiasäästlikum.
- Lõigake kuni pool muru pikkusest. Niitke kõigepealt kõrgele reguleeritud lõikamiskõrgusega. Vaadake tulemust ja seadistage lõikamiskõrgus soovitud madalamale tasemele. Kui muru on väga pikk, sõitke aeglaselt ja vajadusel niitke kaks korda.
- Niitke iga kord erinevas suunas, et ära hoida triipude tekkimist murule.

Hooldamine

Sissejuhatus



HOIATUS: Enne seadme hooldamist lugege põhjalikult läbi ohutust puudutav peatükk.

Toote hooldamiseks ja remontimiseks on vaja erioskusi. Tagame asjatundliku remondi- ja hooldustöö. Kui edasimüüjal, kellelt toote ostsite, pole hooldustöökoda, küsige neilt teavet lähima hooldustöökoja kohta.

Hoolduskeem



ETTEVAATUST: Toote kallutamisel veendu, et õhufilter oleks üleval, mitte vastu maad. Mootori kahjustamise oht.

Hooldusintervallide arvutamisel on aluseks võetud toote igapäevane kasutamine. Intervallid muutuvad, kui toodet igapäevaselt ei kasutata.

Tärniga (*) tähistatud hooldustööde kohta leiate juhised peatükist *Toote ohutusseadised lk 102*.

| Hooldamine | Üks kord päevas | Üks kord kuus | Igal hooajal |
|--|-----------------|---------------|--------------|
| Tee üldkontroll | X | | |
| Kontrolli õlitaset | X | | |
| Õlivahetus (esimalt pärast 5 töötundi, seejärel iga 50 töötunni järel) ⁵⁰ | | | X |
| Toote puhastamine | X | | |
| Kontrolli lõikevarustust | X | | |
| Kontrolli lõikekorpus * | X | | |

⁵⁰ Kui toode töötab suurtel koormustel või on ümbritsev temperatuur kõrge, siis vaheta mootoriõli iga 25 tunni järel.

| Hooldamine | Üks kord päevas | Üks kord kuus | Igal hooajal |
|--|-----------------|---------------|--------------|
| Kontrolli mootori pidurikäepidet * | X | | |
| Kontrolli summutit * | | X | |
| Kontrolli süüteküünalt. Vajaduse korral vaheta süüteküünal välja või puhasta seda. | | | X |
| Kontrolli õhufiltrit | X | | |
| Puhasta õhufilter ⁵¹ | | X | |
| Vaheta õhufilter | | | X |
| Kontrolli kütusesüsteemi | | | X |
| Puhasta silindri jahutusribid. | | X | |
| Kontrolli ja reguleeri siduritrossi tootel (LC 140SP) | | | X |

Üldülevaatus läbiviimine

- Veenduge, et kõik toote mutrid ja kruvid oleksid korralikult kinni pingutatud.

Toote välikorpuse puhastamine

- Eemaldage lehed, muru ja pori harja abil.
- Veenduge, et mootori peal asuv õhuvõtuava oleks takistustest vaba.
- Ärge kasutage seadme puhastamiseks survepesurit.
- Kui kasutate toote puhastamiseks vett, ärge suunake vett otse mootorile.

Lõikekorpuse sisepinnapuhastamine

1. Tühjendage kütusepaak.
2. Kalluta toodet. Veendu, et süüteküünal on suunaga üles.



ETTEVAATUST: Kui toode on asetatud selliselt, et õhufilter jääb allapoole, võib mootor kahjustada saada.

3. Loputage lõikekorpuse sisepinda veega.

Lõikeosa kontrollimine



HOIATUS: Tahtmatu käivitamise ärahoidmiseks eemaldage süüteküünalt süütejuhe.



HOIATUS: Lõikeosa hooldamisel kandke kaitsekindaid. Lõiketera on väga terav ja võib kergesti põhjustada lõikevigastusi.

1. Kontrollige lõikeosa kahjustuste ja mõrade suhtes. Kahjustatud lõikeosa tuleb alati välja vahetada.
2. Kontrollige, kas lõiketera on kahjustatud või nüri.

Märkus: Teritamise järel tuleb lõiketera tasakaalustada. Lõiketera teritamine, asendamine ja tasakaalustamine usaldage hooldustehnikule. Kui toode põrkub vastu eset, mis põhjustab toote seiskumise, vahetage välja kahjustatud lõiketera. Laske hoolduskeskuses hinnata, kas tera saab teritada või tuleb see välja vahetada.

Lõiketera vahetamine

1. Lukustage lõiketera mõne puuklotsiga. (Joon. 36)
 2. Eemaldage lõiketera polt.
 3. Eemaldage lõiketera.
 4. Eemaldage lõiketera tugi ja polt ning kontrollige, kas esineb kahjustusi.
 5. Kontrollige mootori võlli ja veenduge, et see poleks väändunud.
 6. Uue lõiketera kinnitamisel suunake nurksed otsad lõikekorpuse poole. (Joon. 37)
 7. Veenduge, et lõiketera ja mootori võlli kese oleksid kohakuti.
 8. Lukustage lõiketera mõne puuklotsiga. Kinnitage vedruseib ning pingutage polti ja seihi momendiga 45–60 Nm. (Joon. 38)
 9. Keerake tera käega, veendumaks, et see pöörleb vabalt.
- HOIATUS:** Kasutage tugevaid kindaid. Lõiketera on väga terav ja võib kergesti põhjustada lõikevigastusi.
10. Tera katsetamiseks käivitage toode. Kui tera on valesti kinnitatud, siis toode vibreerib ja niitmistulemus pole rahuldav.

⁵¹ Tolmuste töötingimuste või lendleva prügi korral puhasta sagedamini. Vaheta õhufilter, kui see on väga must.

Õlitaseme kontrollimine



ETTEVAATUST: Liiga madal õlitase võib mootorit kahjustada. Enne toote käivitamist kontrolli õlitaset.

1. Aseta toode tasasele pinnale.
2. Eemalda õlipaagi kork koos selle küljes oleva mõõtevardaga.
3. Puhasta mõõtevarras õlist.
4. Õlitaseme õigesti mõõtmiseks asetage mõõtevarras täies pikkuses õlipaaki.
5. Eemalda mõõtevarras.
6. Vaata mõõtevardalt õlitaset.
7. Kui õlitase on madal, lisa mootoriõli ja kontrolli õlitaset uuesti.

Märkus: Kasuta mahaminemise vältimiseks lehtrit.

Mootoriõli vahetamine



HOIATUS: Vahetult pärast mootori seiskumist on mootoriõli väga kuum. Enne mootoriõli väljutamist laske mootoril maha jahtuda. Kui mootoriõli satub nahale, puhasta piirkond vee ja seebiga.

(Joon. 39)

Märkus: Kasuta neljataktilise mootori õli. Kasuta kindlasti ümbritseva temperatuuriga sobivat viskoossust.

1. Lase tootel töötada, kuni kütusepaak on tühi.
2. Eemalda süüteküünalt süütejuhe.
3. Eemalda õlipaagi kork.
4. Tühjenda õlipaak õlipumba (tarvik) abil mootoriõlist.
5. Lisa jaotises *Tehnilised andmed lk 109* soovitatud tüüpi uut mootoriõli.
6. Kontrolli õlitaset. Vt jaotist *Õlitaseme kontrollimine lk 107*.

Vahtkummist plastfiltri puhastamine

1. Eemaldage õhufiltri kate ja vahtkummist plastfilter.
2. Puhastage vahtkummist plastfiltrit seebi ja veega.
3. Loputage vahtkummist plastfiltrit puhtas vees.
4. Pigistage vahtkummist plastfiltrit vesi välja ja laske sel kuivada.



ETTEVAATUST: Ärge kasutage suruõhku. See võib vahtkummist plastfiltrit kahjustada.

5. Määrige vahtkummist plastfiltrit mootoriõliga.
6. Üleliigse õli eemaldamiseks suruge vahtkummist plastfiltrile riidetükk.
7. Asetage õhufilter tagasi. Veenduge, et õhufilter liibuks tihedalt vastu õhufiltri hoidikut.
8. Asetage õhufiltri kate tagasi.

Süüteküünla kontrollimine



ETTEVAATUST: Kasutage alati soovitatud tüüpi süüteküünalt. Vale tüüpi süüteküünal võib toodet kahjustada.

- Kontrollige süüteküünalt, kui mootori võimsus on madal, mootor ei käivitu kergesti või ei tööta tühikäigul korralikult.
- Süüteküünla elektrodidele võõrainete kogunemise ohu vähendamiseks täitke järgmisi juhiseid.
 - a) Veenduge, et tühikäigu pöörete arv on õigesti seadistatud.
 - b) Veenduge, et kütusesegu oleks õige.
 - c) Veenduge, et õhufilter oleks puhas.
- Kui süüteküünal on määratud, puhastage see ja kontrollige, kas elektrodide vahe on õige, vt jaotist *Tehnilised andmed lk 109*. (Joon. 40)
- Vajaduse korral vahetage süüteküünal välja.

Kütusesüsteemi kontrollimine

- Kontrollige kütusepaagi korki ja selle tihendit kahjustuste suhtes.
- Kontrollige kütusevoolikut lekete suhtes. Kahjustatud kütusevoolik laske hooldustöökojas välja vahetada.

Siduritrossi reguleerimine (LC 140SP)

Järgmistes olukordades on vajalik vähendada siduritrossi pikkust:

- rataste vedu ei rakendu, kui tõmbate veo käepidemest või pöörlemiskiiruse reguleerimise hoovast;
- kui rataste vedu on rakendatud, liigub toode aeglaselt.

Järgmistes olukordades on vajalik suurendada siduritrossi pikkust:

- toode liigub, kui rataste vedu pole rakendatud.
- Siduritrossi reguleerimine.
 - a) Siduritrossi pikkuse vähendamiseks pöörake reguleerimiskruvi vastupäeva.
 - b) Siduritrossi pikendamiseks keerake reguleerimiskruvi päripäeva. (Joon. 41)

Kui tööde liigub ebarahuldavalt pärast reguleerimist, võtke ühendust hooldustöökojaga

Mootori tõrkeotsing

| Probleem | Võimalik põhjus | Lahendus |
|---|---|---|
| Mootor ei käivitu. | Süütejuhe pole õigesti ühendatud. | Ühendage süütejuhe süüteküünlaga. |
| | Kütusepaak on tühi. | Täitke kütusepaak õiget tüüpi kütusega. |
| | Kütus on vana. | Tühjenda kütusepaak ja karburaator. Täida uue bensiiniga. |
| | Karburaatoris või kütusevoolikus on mustus. | Puhastage karburaator ja/või kütusevoolik. |
| | Süüteküünal on defektne. | Reguleerige elektrodide vahet, puhastage või vahetage välja süüteküünal. |
| | Süüteküünal on kütus. | Puhasta süüteküünal. |
| Mootor ei seisku. | Peatamismehhanism on defektne. | Lahutage süüteküünla süütejuhe. Laske toode remontida volitatud hooldustöökohas. |
| Mootor ei tööta sujuvalt. | Süütejuhe pole õigesti ühendatud. | Ühendage süütejuhe süüteküünlaga. |
| | Kütusevoolikus on mustus või kütus on otsa saanud. | Puhastage kütusevoolik. Lisage kütusepaaki õiget liiki kütust. |
| | Kütusepaagi kork on ummistunud. | Puhastage kütusepaagi kork. |
| | Kütusesüsteemis on vesi või mustus. | Tühjendage kütusepaak. Lisage kütusepaaki õiget liiki kütust. |
| | Õhufilter on määrdunud. | Puhastage õhufilter. |
| | Karburaatorit tuleb reguleerida. | Laske hooldusesinduses karburaatorit reguleerida. |
| Mootor läheb liiga kuumaks. | Mootoriõli tase on liiga madal. | Lisage mootoriõli. |
| | Õhuvool pole piisav. | Puhastage õhufilter ja õhufiltri korpus. |
| | Karburaatorit tuleb reguleerida. | Laske hooldusesinduses karburaatorit reguleerida. |
| Kui mootor töötab suurel kiirusel, hakkab see töötakte vahel jätma. | Süüteküünla elektrodide vahe on liiga väike. | Reguleerige elektrodide vahet. |
| Normaalkoormuse korral kostub mootorist ebataavalist heli. | Kasutatakse valet tüüpi bensiini. | Tühjenda kütusepaak ja karburaator. Täida uue bensiiniga. Vt jaotist <i>Kütuse tankimine lk 104</i> . Probleemi püsimise korral pöörduge hooldustöökotta. |
| Mootor ei tööta tühikäigul sujuvalt. | Süüteküünal on määrdunud või defektne või elektrodide vahe on liiga suur. | Reguleerige elektrodide vahed või vahetage süüteküünal välja. |
| | Karburaatorit tuleb reguleerida. | Reguleerige karburaatorit. |
| | Õhufilter on määrdunud. | Puhastage õhufilter. |

Transportimine, hoiepanek ja utiliseerimine

Transportimine ja hoistamine

- Toote ja kütuse transportimisel ning hoistamisel veenduge, et puuduvad leked ja aurud. Elektriseadmetest või boileritest pärit sädemed ja lahtine leek võivad põhjustada tulekahju.
- Kütuse transportimiseks ja hoistamiseks kasutage heakskiidetud mahuteid.
- Toote pikaks ajaks hoie panemisel tühendage eelnevalt kütusepaak. Kõrvaldage kütus spetsiaalses jäätmejaamas.
- Transportimisel kinnitage toode ohutult, et ära hoida kahjustusi ja õnnetusi.

- Hoidke toodet lukustatud kohas, kus sellele ei pääse juurde lapsed ega volitamata isikud.
- Hoidke toodet kuivas kohas, mis ei külmu.

Kõrvaldamine

- Järgige kohalike jäätmekäitlusekirju ja kehtivaid seadusi.
- Kemikaalid (nt mootoriõli ja kütus) kõrvaldage hoolduskeskuses või spetsiaalses jäätmejaamas.
- Kui toodet enam ei kasutata, toimetage see Husqvarna edasimüüjale või kõrvaldage see taaskasutuskeskuses.

Tehnilised andmed

Tehnilised andmed

| | LC 140P | LC 140SP |
|---------------------------------------|--|--|
| Mootor | | |
| Kaubamärk | Husqvarna | Husqvarna |
| Mootorimudeli nimetus | HS 123A | HS 123A |
| Mootori tüüp | Ühesilindriline, neljataktiline, sundõhkjahutus, OHV | Ühesilindriline, neljataktiline, sundõhkjahutus, OHV |
| Silindrimaht, cm ³ | 123 | 123 |
| Kiirus, p/min | 3000 | 3000 |
| Mootori nimivõimsus, kW ⁵² | 1,95 | 1,95 |
| Süütesüsteem | | |
| Süüteküünal | Husqvarna HQT-7 | Husqvarna HQT-7 |
| Elektroodide vahe, mm | 0,7-0,8 | 0,7-0,8 |
| Kütuse-/määrimissüsteem | | |
| Mootori määrimistüüp | Pritse | Pritse |
| Kütusepaagi maht, liitrit | 0,9 | 0,9 |
| Õlipaagi maht, liitrit | 0,5 | 0,5 |
| Mootoriõli ⁵³ | Husqvarna SAE 30 | Husqvarna SAE 30 |

⁵² Mootori näidatud võimsusklass on antud mootorimudeli järgi toodetud tüüpmootori keskmine netovõimsus (kindla pöörete arvu juures), mõõdetud vastavalt SAE standardile J1349/ISO1585. Masstoodangust tulnud mootoritel võib see väärtus pisut erineda. Tootele paigaldatud mootori tegelik võimsus on olenev töökiirusest, keskkonnatingimustest ja muudest teguritest.

⁵³ Kui kasutakse SAE-30 õli madalamal temperatuuril kui +5 °C, siis on oht, et see ei määri mootorit piisavalt. See võib kahjustada mootorit. Vt jaotisest *Mootoriõli vahetamine lk 107*, milline on õige õli madalal temperatuuril.

| | LC 140P | LC 140SP |
|---|-------------------------------|-------------------------------|
| Mass | | |
| Tühjade paakidega, kg | 25,2 | 26,8 |
| Müraemissioon⁵⁴ | | |
| Helitugevustase, dB(A) | 93 | 93 |
| Helitugevustase, garanteeritud, L _{WA} dB(A) | 95 | 95 |
| Müratase⁵⁵ | | |
| Helirõhutase kasutaja kõrva juures, dB(A) | 81 | 81 |
| Vibratsioonitase⁵⁶ | | |
| Käepideme vibratsioonitase, m/s ² | 5,6 | 7,6 |
| Lõikeosa | | |
| Lõikekõrgus, mm | 25-75 | 25-75 |
| Lõikamislaius, mm | 400 | 400 |
| Lõikesüsteem | Kogumine / tagant väljutamine | Kogumine / tagant väljutamine |
| Lõiketerad – standard | Kogumine 5873863-10 | Kogumine 5873863-10 |
| Rohukoguri maht, liitrit | 50 | 50 |
| Ajam | | |
| Iseliikumiskiirus, km/h | – | 4 |

⁵⁴ Müraemissioon ümbritsevasse keskkonda, mõõdetud helivõimsuse tasemena (L_{WA}) vastavalt EÜ direktiivile 2000/14/EÜ

⁵⁵ Müra rõhutase kohta toodud andmete statistiline dispersioon (standardhälve) on 1,2 dB(A).

⁵⁶ Vibratsioonitaseme kohta toodud andmete tüüpiline statistiline dispersioon (standardhälve) on 0,2 m/s².

EÜ vastavusdeklaratsioon

EÜ vastavusdeklaratsioon

Husqvarna AB, SE-561 82 Huskvarna, Rootsi, tel:
+46-36-146500, kinnitab käesolevaga, et **mununiiduk**
Husqvarna LC 140P, LC 140SP alates aastast 2020
vastab järgmiste NÖUKOGU DIREKTIIVIDE nõuetele:

- **2011/65/EL** (8. juuni 2011), teatavate ohtlike ainete kasutamise piiramise kohta;
- **2006/42/EÜ** (17. mai 2006), masinadirektiiv;
- **2014/30/EL** (26. veebruar 2014), elektromagnetilise ühilduvuse direktiiv;
- **2000/14/EÜ** (8. mai 2000), müradirektiiv.

Mürataseme kohta leiab teavet tehniliste andmete osast.

Rakendatud on järgmisi standardeid:

EN ISO 5395-1:2013, EN ISO 5395-1:2013/A1, EN ISO 5395-2:2013, EN ISO 5395-2:2013/A1:2016, EN ISO 5395-2:2013/A2:2017, EN ISO 14982:2009

Kui pole märgitud teisiti, mõeldakse ülalpool loetletud standardite all nende kõige viimaseid avaldatud versioone.

Teavitatud asutus: **0036, TÜV SÜD Industrie Service GmbH, Westendstrasse 199, 80686 München, Germany** on läbi viinud vastavushindamise koosõlas direktiivi 2000/14/EÜ lisaga VI.

Huskvarna, 2020-10-20



Claes Losdal, aiandustoodete arendusdirektor
(Husqvarna AB volitatud esindaja, tehnilise dokumentatsiooni vastutav juht)

Sisältö

| | | | |
|-------------------|-----|---|-----|
| Johdanto..... | 112 | Mootorin vianmääritys..... | 120 |
| Turvallisuus..... | 113 | Kuljettaminen, säilyttäminen ja hävittäminen..... | 121 |
| Asentaminen..... | 115 | Tekniset tiedot..... | 121 |
| Käyttö..... | 116 | EY-vaatimustenmukaisuusvakuutus..... | 123 |
| Huolto..... | 117 | | |

Johdanto

Tuotekuvaus

Tuote on kävellen ohjattava ja pyörivä ruohonleikkuri. Leikattu ruoho kerätään ruohonkerääjään. Voit ottaa ruohon taakseheittotoiminnon käyttöön irrottamalla ruohonkerääjän.

Laitteen kuvaus

(Kuva 1)

1. Kahva/kahvasto
2. Vetojärjestelmän sanka (LC 140SP)
3. Käynnistysnarun kahva
4. Ruohonkerääjä
5. Polttoainesäiliö
6. Ilmansuodatin
7. Sytytystulppa
8. Leikkuusuojus
9. Äänenvaimennin
10. Öljysäiliön korkki
11. Leikkuukorkeuden säätövipu
12. Takasuojus
13. Mootorin jarrukahva
14. Tunnukset
15. Alempi työntöaisakokoonpano
16. Alavarsi
17. Käyttöohjekirja
18. Öljysuppilo

Laitteen symbolit

(Kuva 2) **VAROITUS:** Ole varovainen ja käytä laitetta oikein. Tämä laite voi aiheuttaa käyttäjälle tai sivullisille vakavia vahinkoja tai kuoleman.

(Kuva 3) Lue käyttöohje huolellisesti ja varmista, että ymmärrät sen sisällön, ennen kuin alat käyttää konetta.

(Kuva 4) Varo sinkoutuvia esineitä ja kimmokkeita.

(Kuva 5) Pidä sivulliset ja eläimet turvallisen välimatkan päässä työalueesta.

Käyttötarkoitus

Käytä laitetta ruohon leikkuuseen. Älä käytä laitetta muihin tehtäviin.

(Kuva 6) Varoitus: Pidä kädet ja jalat poissa pyörivän terän läheisyydestä.

(Kuva 7) Varoitus: Pidä kädet ja jalat poissa pyörivien osien läheisyydestä.

(Kuva 8) Pysäytä moottori ja poista sytytyskaapeli ennen korjaus- tai huoltotöitä.

(Kuva 9) Tämä laite täyttää sovellettavien EY-direktiivien vaatimukset.

(Kuva 10) Melupäästöt ympäristöön Euroopan yhteisön direktiivin mukaisesti. Laitteen päästöt ilmoitetaan luvussa Tekniset tiedot ja arvokilvessä.

(Kuva 11) Tulipalon vaara.

(Kuva 12) Älä hengitä pakokaasuja. Mootorin pakokaasut sisältävät hiilimonoksidia, joka on hajuton, myrkyllinen ja erittäin vaarallinen kaasu. Älä käynnistä moottoria sisällä tai suljetuissa tiloissa.

(Kuva 13) Kuuma pinta.

(Kuva 14) Täytä moottori öljyllä ennen laitteen käynnistämistä.

Huomautus: Muita laitteen symboleita/tarroja tarvitaan joillakin markkina-alueilla ilmaisemaan sertifiointivaatimuksia.

Euro V -päästöt



VAROITUS: Moottorin muokkaaminen mitätöi tuotteen EU-tyyppihyväksynnän.

Tuotevastuu

Tuotevastuulain mukaisesti emme ole vastuussa tuotteen aiheuttamasta vaurioista, jos

- tuote on korjattu virheellisesti
- tuotteen korjaamiseen on käytetty muita kuin valmistajan omia tai sen hyväksymiä osia
- tuotteessa on muu kuin valmistajan oma tai sen hyväksymä lisävaruste
- tuotetta ei ole korjattu valtuutetussa huoltopisteessä tai hyväksytyllä asiantuntijalla.

Turvallisuus

Turvallisuusmääritelmät

Varoituksia, huomioita ja huomautuksia käytetään, kun jotakin käyttöohjeen osaa halutaan erityisesti korostaa.



VAROITUS: Tätä käytetään, jos käyttöohjeen noudattamatta jättämisestä voi seurata käyttäjän tai sivullisen vamma tai kuolema.



HUOMAUTUS: Tätä käytetään, jos käyttöohjeen noudattamatta jättämisestä voi seurata koneen, muiden materiaalien tai ympäristön vaurioituminen.

Huomautus: Tätä käytetään tietyissä tilanteissa tarvittavien lisätietojen antamiseen.

Yleiset turvaohjeet



VAROITUS: Lue seuraavat varoitusohjeet ennen laitteen käyttämistä.

- Tämä laite on vaarallinen, jos sitä käytetään huolimattomasti tai virheellisesti. Turvaohjeiden noudattamatta jättäminen voi aiheuttaa vammoja tai kuoleman.
- Laite muodostaa käytön aikana sähkömagneettisen kentän. Kenttä saattaa joissakin olosuhteissa häiritä aktiivisten tai passiivisten lääketieteellisten implanttien toimintaa. Vakavien tai hengenvaarallisten tapaturmien ehkäisemiseksi kehotamme lääketieteellisiä implanteja käyttäviä henkilöitä neuvottelemaan lääkärin ja lääketieteellisen implantin valmistajan kanssa ennen laitteen käyttämistä.
- Ole aina varovainen ja käytä tervettä järkeä. Jos et ole varma, miten laitetta käytetään erityisilanteessa, sammuta laite ja ota yhteys Husqvarna-jälleenmyyjään, ennen kuin jatkat.
- Muista, että käyttäjä on vastuussa muille ihmisille tai heidän omaisuudelleen aiheutuviasta vahingoista.
- Pidä laite puhtaana. Varmista, että tuotteen merkit ja tarrat ovat luettavissa.

- Älä anna kenenkään käyttää konetta, ellet ole varma, että käyttäjä on lukenut käyttöohjekirjan ja ymmärtänyt siinä annetut ohjeet.
- Älä anna lasten käyttää laitetta.
- Pidä lapset poissa työskentelyalueelta. Vastuullisen aikuisen on oltava aina paikalla.
- Älä anna kenenkään sellaisen henkilön käyttää laitetta, joka ei tunne ohjeita.
- Valvo aina laitetta käyttävää henkilöä, jonka fyysiset tai psyykkiset taidot ovat heikentyneet. Vastuullisen aikuisen on oltava aina paikalla.
- Älä käytä laitetta ollessasi väsynyt tai sairas tai jos olet alkoholin, huumaavien aineiden tai lääkkeiden vaikutuksen alaisena. Niillä on negatiivinen vaikutus näkökykyysi, vireytesi, harkintakykyysi ja kehosi hallintaan.
- Älä käytä konetta, jos se on viallinen.
- Älä tee koneeseen muutoksia tai käytä konetta, mikäli epäilet jonkun muun muuttaneen sitä.
- Älä tee muutoksia moottorin käyntinopeuden hallintaan.

Työalueen turvallisuus



VAROITUS: Lue seuraavat varoitusohjeet ennen koneen käyttämistä.

- Poista työskentelyalueelta oksat, risut ja kivet ennen tuotteen käyttämistä.
- Terävarustukseen osuvat esineet sinkoutuvat edelleen ja voivat siten aiheuttaa vahinkoa ihmisille ja esineille. Pidä sivulliset ja eläimet turvallisen välimatkan päässä tuotteesta.
- Älä koskaan käytä tuotetta huonolla säällä esimerkiksi sumussa, sateessa, kovassa tuulessa, ankarassa pakkasessa tai ukkosella. Tuotteen käyttäminen huonolla säällä tai kosteissa tai märissä olosuhteissa on raskasta. Huono sää voi aiheuttaa vaaratilanteita, kuten liukastumisvaaran.
- Varo henkilöitä, esineitä ja tilanteita, jotka voivat estää tuotteen turvallisen käytön.
- Varo esteitä, kuten juuria, kiviä, risuja, kuoppia ja oja. Pitkän ruohon seassa voi olla esteitä.

- Ruohon leikkaaminen rinteissä voi olla vaarallista. Älä käytä tuotetta rinteessä, jonka kaltevuus on yli 15°.
- Käytä tuotetta sivusuunnassa rinteeseen nähden. Älä käytä tuotetta pystysuunnassa.
- Ole varovainen lähestyessäsi piilossa olevia kulkimia ja esineitä, jotka estävät näkyvyyden.

- Sammuta moottori ennen kuin muutat leikkuukorkeutta. Älä koskaan tee säätöjä moottorin käydessä.
- Älä koskaan jätä laitetta ilman valvontaa moottorin käydessä. Sammuta moottori ja varmista, ettei terävarustus pyöri.

Turvallisuusohjeet käyttöä varten

Henkilökohtainen suojavarustus



VAROITUS: Lue seuraavat varoitusohjeet ennen laitteen käyttämistä.



VAROITUS: Lue seuraavat varoitusohjeet ennen koneen käyttämistä.

- Käytä tätä tuotetta ainoastaan nurmikoiden leikkaamiseen. Tuotteita ei saa käyttää muihin käyttötarkoituksiin.
- Käytä henkilökohtaisia suojavarusteita. Katso *Henkilökohtainen suojavarustus sivulla 114*.
- Opettele pysäyttämään moottori nopeasti hätätilassa.
- Älä koskaan käynnistä moottoria suljetussa tilassa tai lähellä herkästi syttyviä materiaaleja. Moottorin pakokaasu on kuumaa ja se voi sisältää kipinöitä, jotka voivat aiheuttaa tulipalon.
- Älä käytä tuotetta, ellei sen terää ja kaikkia suojuksia ole kiinnitetty asianmukaisesti. Virheellisesti kiinnitetty terä saattaa irrota ja aiheuttaa henkilövahinkoja.
- Varmista, ettei terä osu kiviin ja juuriin. Tämä voi vaurioittaa terää, ja kampaiksella voi vääntyä. Vääntynyt akseli aiheuttaa voimakasta tärinää. Tällöin on erittäin suuri riski, että terä irtoaa.
- Jos terä osuu esineeseen tai alkaa täristä, pysäytä tuote välittömästi. Irrota sytytyskaapeli sytytystulpasta. Tarkista tuote vaurioiden varalta. Korjaa vauriot tai teetä korjaustyöt valtuutetussa huoltoliikkeessä.
- Älä koskaan liitä moottorin jarrukahvaa pysyvästi kahvaan moottoria käynnistettäessä.
- Aseta tuote kiinteälle, tasaiselle alustalle ja käynnistä se. Varmista, ettei terä pääse osumaan maahan tai mihinkään esineeseen.
- Ole aina tuotteen takana käyttäessäsi sitä.
- Pidä kaikki renkaat maassa ja molemmat kätesi työntöaisalla käyttäessäsi tuotetta. Pidä kätesi ja jalkasi poissa pyörivien terien läheisyydestä.
- Älä kallista tuotetta moottorin käynnistyksen aikana.
- Ole varovainen vetäessäsi tuotetta taaksepäin.
- Älä koskaan nosta tuotetta moottorin käynnistyksen aikana. Jos tuotetta täytyy nostaa, sammuta ensin moottori ja irrota sytytyskaapeli sytytystulpasta.
- Älä kävele taaksepäin käyttäessäsi tuotetta.
- Sammuta moottori, kun siirät tuotteen ruohottoman alueen yli, esimerkiksi ylittäessäsi sora-, kivi- tai asfalttipolkuja.
- Älä juokse tuotteen kanssa, kun moottoria käynnistetään. Kävele aina, kun käytät tuotetta.

- Henkilökohtaiset suojavarusteet eivät poista tapaturmien vaaraa, mutta ne lieventävät vammoja onnettomuusilanteessa. Anna jälleenmyyjän auttaa oikeiden varusteiden valinnassa.
- Käytä kuulonsuojaimia, kun melutaso on yli 85 dB.
- Käytä kestäviä luistamattomia saappaita tai kenkiä. Älä käytä avonaisia jalkineita tai kulje paljain jaloin.
- Käytä vahvakankaisia, pitkiä housuja.
- Käytä suojakäsineitä tarvittaessa, esimerkiksi terävarustuksen asennuksen, tarkastuksen ja puhdistuksen aikana.

Tuotteen turvalaitteet



VAROITUS: Lue seuraavat varoitusohjeet ennen laitteen käyttämistä.

- Älä käytä laitetta, jos jokin sen turvalaitteista on rikki.
- Tarkasta turvalaitteet säännöllisesti. Jos turvalaitteissa on vikoja, ota yhteyttä Husqvarna-huoltoliikkeeseen.

Leikkuusuojuksen tarkistaminen

Leikkuusuojus vähentää laitteen tärinää ja terän aiheuttamaa tapaturmavaaraa.

- Tarkista leikkuusuojus vaurioiden, kuten halkeamien, varalta.

Moottorin jarrukahvan tarkistaminen

Moottorin jarrukahva pysäyttää moottorin. Kun moottorin jarrukahva vapautetaan, moottori pysähtyy.

- Käynnistä moottori ja vapauta sitten moottorin jarrukahva. Jos moottori ei pysähdy 3 sekunnissa, anna valtuutetun Husqvarna-huoltoliikkeen säätää moottorijarru. (Kuva 15)

Äänenvaimennin

Äänenvaimennin pitää äänitason mahdollisimman alhaisena ja ohjaa moottorin pakokaasu käyttäjästä pois päin.

Älä käytä konetta, jos äänenvaimennin on vaurioitunut tai puuttuu kokonaan. Viallinen äänenvaimennin suurentaa melutasoa ja tulipalon vaaraa.



VAROITUS: Äänenvaimennin on erittäin kuuma käytön aikana, heti käytön jälkeen ja moottorin käytdessä joutokäyntinopeudella. Ole varovainen syttyvien materiaalien ja/tai kaasujen lähistöllä, jotta et aiheuta tulipaloo.

Polttoaineturvallisuus



VAROITUS: Lue seuraavat varoitusohjeet ennen koneen käyttämistä.

- Älä käynnistä laitetta, jos sen päällä on polttoainetta tai moottoriöljyä. Poista ylimääräinen polttoaine tai öljy ja anna laitteen kuivua.
- Jos olet läikyttänyt polttoainetta vaatteillesi, vaihda vaatteet heti.
- Varo, ettei iholle pääse polttoainetta, sillä se voi aiheuttaa vamman. Jos ihollesi joutuu polttoainetta, pese se pois vedellä ja saippualla.
- Älä käynnistä laitetta, jos moottori vuotaa. Tarkista moottori säännöllisesti vuotojen varalta.
- Käsittele polttoainetta varoen. Polttoaine on syttyvää ja kaasut ovat räjähdysherkkiä, mikä voi aiheuttaa tapaturman tai kuoleman.
- Älä hengitä polttoainehöyryjä, sillä ne voivat aiheuttaa vamman. Varmista, että ilmanvirtaus on riittävä.
- Älä tupakoi polttoaineen tai moottorin lähistöllä.
- Älä sijoita lämpimiä esineitä polttoaineen tai moottorin lähelle.
- Älä lisää polttoainetta, kun moottori on käynnissä.
- Varmista ennen polttoaineen lisäämistä, että moottori on jäähtynyt.
- Ennen kuin lisäät polttoainetta, avaa polttoainesäiliön korkki hitaasti ja vapautta paine varovasti.

- Älä lisää polttoainetta moottoriin sisätilassa. Jos ilmanvirtaus ei ole riittävä, tukehtuminen tai hiilimonoksidin hengittäminen voi aiheuttaa vamman tai kuoleman.
- Kiristä polttoainesäiliön korkki tiukasti. Polttoainesäiliön korkin riittämätön kiristys aiheuttaa tulipalovaaran.
- Siirrä laite ennen käynnistystä vähintään 3 metrin päähän paikasta, jossa lisäsit polttoainetta.
- Älä täytä polttoainesäiliötä täyteen. Kuumuus saa polttoaineen laajenemaan. Jätä polttoainesäiliön päälle tyhjää tilaa.

Turvaohjeet huoltoa varten



VAROITUS: Lue seuraavat varoitusohjeet ennen koneen käyttämistä.

- Moottorin pakokaasut sisältävät hiilimonoksidia, joka on hajuton, myrkyllinen ja erittäin vaarallinen kaasua. Älä käynnistä moottoria sisällä tai suljetuissa tiloissa.
- Jos tuotetta täytyy huoltaa, sammuta ensin moottori ja irrota sytytyskaapeli sytytystulpasta.
- Käytä suojakäsineitä huoltaessasi terävarustusta. Terä on erittäin terävä ja aiheuttaa helposti haavoja.
- Lisävarusteet ja muut kuin valmistajan hyväksymät muutokset tuotteeseen voivat aiheuttaa vakavan vamman tai kuoleman. Älä tee tuotteeseen muutoksia. Käytä vain valmistajan hyväksymiä lisävarusteita.
- Jos tuotetta ei ole huollettu asianmukaisesti ja säännöllisesti, tapaturmien ja tuotteen vaurioitumisen vaara kasvaa.
- Huolla tuote ainoastaan käyttöohjekirjassa annettujen ohjeiden mukaisesti. Kaikki muut huoltotoimet on tehtävä valtuutetussa Husqvarna-huoltoliikkeessä.
- Anna valtuutetun Husqvarna-huolto liikkeen huoltaa tuote säännöllisesti.
- Vaihda vaurioituneet, kuluneet tai rikkoutuneet osat.

Asentaminen

Kahvan asentaminen

1. Työnnä ruuvi (A) kahvan (B), muovisen aluslevyn (C) ja kahvan tukikiinnikkeen (D) läpi. (Kuva 16)
2. Kiristä mutteri (E) kokonaan.
3. Työnnä ruuvi (F) aluslevyn (G) ja kahvan tukikiinnikkeen läpi.
4. Kiristä nuppi (H) kokonaan.
5. Kohdista kahvaston reiät alemman työntöaisan reikien kanssa ja kiinnitä ruuvit, aluslevyt ja nupit. Kiristä nupit huolellisesti. (Kuva 17)
6. Kiinnitä kaapelit aisaan kaapelinpitimillä. (Kuva 18)

Huomautus: Varmista, ettei kaapeleita ole kiristetty liian tiukalle. Kiristäminen liian tiukalle voi vahingoittaa kaapelia, kun kahva käännetään kuljetusasentoon.

7. Aseta kaapeli aisan alaosassa olevan koukun ympärille. (Kuva 19)

Kahvan korkeuden säätäminen

1. Irrota alemmat nupit. (Kuva 20)
2. Irrota nuppi, aluslevy ja ruuvi vasemmalta ja oikealta puolelta.

3. Työntöaisan voi asettaa kahdelle eri korkeudelle. Laita ruuvi toiseen kahdesta reiästä vasemmalla ja oikealla puolella. (Kuva 21)
4. Kiinnitä kaikki ruuvit, aluslevyt ja nupit.
5. Liu'uta nuppeja ylöspäin kahvaa kohti, kunnes ne pysähtyvät ja kuulet naksahduksen. Kiristä nupit huolellisesti. (Kuva 22)

Tuotteen asettaminen kuljetusasentoon

1. Irrota ruohonkerääjä.
2. Avaa ylemmän kahvan nupit ja taita kahva alas. (Kuva 23)
3. Irrota alemmat nupit.
4. Liu'uta nupit urien alaosaan laitteen molemmin puolin. (Kuva 24)
5. Taita kahva eteen. (Kuva 25)

Laitteen asettaminen käyttöasentoon

1. Nosta kahvastoa, kunnes alempi kahva lukittuu käyttöasentoon. (Kuva 26)

2. Liu'uta nuppeja ylöspäin kahvaa kohti, kunnes ne pysähtyvät ja kuulet naksahduksen.
3. Kiristä nupit huolellisesti. (Kuva 27)
4. Nosta kahvaston yläosaa.
5. Kiristä nupit huolellisesti. (Kuva 28)

Ruohonkerääjän asentaminen

1. Aseta ruohonkerääjän yläosa ruohonkerääjän alaosaan. (Kuva 29)
2. Kiinnitä ruohonkerääjän runko kiinnikkeillä. (Kuva 30)
3. Nosta takasuojus ylös.
4. Kiinnitä ruohonkerääjän koukut rungon yläreunaan. (Kuva 31)
5. Aseta ruohonkerääjän alempi osa ruohon ulosheittokanavaan.

Käyttö

Johdanto



VAROITUS: Lue turvallisuutta käsittelevä luku niin, että ymmärrät sen sisällön, ennen laitteen käyttämistä.

Husqvarna Connect

Husqvarna Connect on ilmainen mobiililaitesovellus. Husqvarna Connect -sovellus saat lisätoimintoja Husqvarna-koneeseen:

- Enemmän tuotetietoja.
- Tietoja koneen osista ja huolto-ohjeita.

Husqvarna Connect -käytön aloittaminen

1. Lataa Husqvarna Connect -sovellus mobiililaitteeseesi.
2. Rekisteröi Husqvarna Connect -sovelluksessa.
3. Liitä ja rekisteröi kone Husqvarna Connect -sovelluksen ohjeiden mukaan.

Ennen tuotteen käyttöä

1. Lue käyttöohje huolellisesti ja varmista, että ymmärrät sen sisältämät ohjeet.
2. Tutki terävarustus ja varmista, että se on kiinnitetty ja säädetty asianmukaisesti. Katso *Terävarustuksen tarkistaminen sivulla 118*.
3. Täytä polttoainesäiliö. Katso *Polttoaineen lisääminen sivulla 116*.
4. Lisää öljysäiliöön öljyä ja tarkista öljytaso. Katso *Öljyn määrän tarkistaminen sivulla 119*.

Polttoaineen lisääminen

Käytä mahdollisuuksien mukaan ympäristöä säästävää bensiiniä tai alkylaattibensiiniä. Jos ympäristöä säästävää bensiiniä tai alkylaattibensiiniä ei ole saatavilla, käytä lyijytöntä tai lyijyllistä laatu bensiiniä, jonka oktaaniluku on vähintään 91.



HUOMAUTUS: Älä käytä bensiiniä, jonka oktaaniluku on pienempi kuin 91 RON. Se voi vaurioittaa konetta.



HUOMAUTUS: Vaihda polttoainesuodatin vuosittain tai tarpeen mukaan useammin. Voit hankkia uuden polttoainesuodattimen Husqvarna -jälleenmyyjältäsi.



HUOMAUTUS: Sammuta moottori aina ennen polttoaineen lisäämistä.



HUOMAUTUS: Älä käytä paineistettuja käynnistysnesteitä.

1. Vapauta polttoainesäiliöstä painetta avaamalla polttoainesäiliön korkki hitaasti.
2. Kaada polttoainesäiliöön hitaasti polttoainetta. Jos öljyä läikkyä, pyyhi öljy pois liinalla ja anna öljyjäämien kuivua. (Kuva 32)
3. Pyyhi polttoainesäiliön korkin ympäristö puhtaaksi.

| Huolto | Päivittäin | Kuukausittain | Kerran käyttökäytökäudessa |
|--|------------|---------------|----------------------------|
| Vaihda öljy (ensimmäisten 5 käyttötunnin jälkeen ja sitten 50 käyttötunnin välein) ⁵⁷ | | | X |
| Puhdista laite. | X | | |
| Tarkista terävarustus. | X | | |
| Tarkista leikkuusuojus*. | X | | |
| Tarkista moottorin jarrukahva*. | X | | |
| Tarkista äänenvaimennin*. | | X | |
| Tarkista sytytystulppa. Puhdista tai vaihda sytytystulppa tarvittaessa. | | | X |
| Tarkista ilmansuodatin | X | | |
| Puhdista ilmansuodatin. ⁵⁸ | | X | |
| Vaihda ilmansuodatin. | | | X |
| Tarkista polttoainejärjestelmä | | | X |
| Puhdista sylinterin jäähditysriivat. | | X | |
| Tarkista ja säädä kytkinjohto (LC 140SP). | | | X |

Yleistarkastus

- Varmista, että laitteen kaikki ruuvit ja mutterit on kiristetty oikein.

Laitteen puhdistaminen ulkopuolelta

- Poista lehdet, ruoho ja liika harjalla.
- Varmista, ettei moottorin yläosassa sijaitseva ilmanottoaukko ole tukkeutunut.
- Älä käytä laitteen puhdistamiseen painepesuria.
- Jos käytät tuotteen puhdistamiseen vettä, älä suihkuta vettä suoraan moottoriin.

Leikkuusuojuksen sisäpinnan puhdistaminen

- Tyhjennä polttoainesäiliö.
- Kallista tuotetta. Varmista, että sytytystulppa osoittaa ylöspäin.



HUOMAUTUS: Jos laite asetetaan ilmansuodatin alaspäin, moottori saattaa vaurioitua.

- Pese leikkuusuojuksen sisäpinta vesiletikulla.

Terävarustuksen tarkistaminen



VAROITUS: Estä tuotteen tahaton käynnistyminen irrottamalla sytytyskaapeli sytytystulppasta.



VAROITUS: Käytä suojakäsineitä huoltaessasi terävarustusta. Terä on erittäin terävä ja aiheuttaa helposti haavoja.

- Tutki terävarustus vaurioiden tai halkeamien varalta. Vaurioitunut terävarustus on aina vaihdettava.
- Tarkista, onko terä vaurioitunut tai tylsä.

Huomautus: Terä on tasapainotettava oikein teroituksen jälkeen. Anna huoltoliikkeen teroittaa, vaihtaa ja tasapainottaa terä. Jos osut esteeseen niin, että tuote pysähtyy, vaihda vaurioitunut terä. Anna huoltoliikkeen arvioida, voiko terän teroittaa vai onko se vaihdettava.

Terän vaihtaminen

- Lukitse terä puukiillalla. (Kuva 36)
- Irrota teräpultti.
- Irrota terä.
- Tutki terän tuki ja teräpultti vaurioiden varalta.
- Tutki kampiakseli ja varmista, ettei se ole vääntynyt.

⁵⁷ Jos laitteen kuormitus on suuri tai ympäristön lämpötila korkea, vaihda moottoriöljy 25 tunnin välein.

⁵⁸ Puhdista tavallista useammin pölyisissä olosuhteissa tai silloin, jos ilmassa leijuu likahiukkasia. Vaihda ilmansuodatin, jos se on erittäin likainen.

- Asenna uusi terä siten, että terän kulmikkaat päät osoittavat leikkuusuojuksen suuntaan. (Kuva 37)
- Varmista, että terä on kohdistettu moottorin akselin keskiosan kanssa.
- Lukitse terä puukiilalla. Kiinnitä jousialuslevy paikalleen ja kiristä pultti ja aluslevy momenttiin 45–60 Nm. (Kuva 38)
- Pyöritä terää käsin ja varmista, että se pyörii vapaasti.



VAROITUS: Käytä työrukkasia. Terä on erittäin terävä ja aiheuttaa helposti haavoja.

- Testaa terää käynnistämällä tuote. Jos terä ei ole kiinnitetty asianmukaisesti, tuote tärisee tai sen leikkuutus ei ole tyydyttävä.

Öljyn määrän tarkistaminen



HUOMAUTUS: Liian alhainen öljytaso voi vaurioittaa moottoria. Tarkista öljytaso ennen kuin käynnistät laitteen.

- Aseta tuote tasaiselle alustalle.
- Irrota polttoainesäiliön korkki ja mittatikku.
- Pyyhi mittatikku puhtaaksi öljystä.
- Työnnä mittatikku kokonaan öljysäiliöön, jotta saat öljytasosta oikean kuvan.
- Poista mittatikku.
- Tarkista öljytaso mittatikusta.
- Jos öljytaso on alhainen, lisää moottoriöljyä ja tarkista öljytaso uudelleen.

Huomautus: Käytä suppiloa, jotta voit välttää läikkymisen.

Moottoriöljyn vaihtaminen



VAROITUS: Moottoriöljy on erittäin kuumaa moottorin sammuttamisen jälkeen. Anna moottorin jäähtyä ennen kuin valutat moottoriöljyn pois moottorista. Jos moottoriöljyä joutuu iholle, pese öljy pois vedellä ja saippualla.

(Kuva 39)

Huomautus: Käytä nelitahtiöljyä. Varmista, että käytät öljyä, jonka viskositeetti on ilman lämpötilaan sopiva.

- Käytä konetta, kunnes polttoainesäiliö on tyhjä.
- Irrota sytytyskaapeli sytytystulppasta.
- Irrota polttoainesäiliön korkki.
- Tyhjennä moottoriöljy öljysäiliöstä öljypumpulla (lisävaruste).

- Lisää uutta moottoriöljyä, jota suositellaan kohdassa *Tekniset tiedot sivulla 121*.
- Tarkista öljytaso. Katso kohta *Öljyn määrän tarkistaminen sivulla 119*.

Vaahtomuovisuodattimen puhdistaminen

- Irrota ilmansuodattimen kansi ja vaahtomuovisuodatin.
- Puhdista vaahtomuovisuodatin vedellä ja saippualla.
- Huuhtelee vaahtomuovisuodatin puhtaalla vedellä.
- Purista vaahtomuovisuodattimesta vesi ja anna suodattimen kuivua.



HUOMAUTUS: Älä käytä paineilmaa. Se voi vaurioittaa vaahtomuovisuodatinta.

- Voitele vaahtomuovisuodatin moottoriöljyllä.
- Poista ylimääräinen öljy painamalla puhdas liina vaahtomuovisuodatinta vasten.
- Aseta ilmansuodatin takaisin paikalleen. Varmista, että ilmansuodatin tulee tiiviisti ilmansuodattimen pidintä vasten.
- Aseta ilmansuodattimen kansi takaisin paikalleen.

Sytytystulpan tarkistus



HUOMAUTUS: Käytä aina suositeltua sytytystulppaa. Väärä sytytystulpan tyyppi voi aiheuttaa laitteen vaurioitumisen.

- Tarkista sytytystulppa, jos moottorin teho on heikko, moottoria on vaikea saada käyntiin tai se ei toimi oikein joutokäyntinopeudella.
- Ehkäise ylimääräisen materiaalin joutuminen sytytystulpan elektrodieihin noudattamalla seuraavia ohjeita:
 - Varmista, että joutokäyntinopeus on säädetty oikein.
 - Varmista, että polttoaineseseos on oikea.
 - Varmista, että ilmansuodatin on puhdas.
- Jos sytytystulppa on karstoittunut, puhdista se ja tarkista samalla, että kärkiväli on oikea, katso *Tekniset tiedot sivulla 121*. (Kuva 40)
- Vaihda sytytystulppa tarvittaessa.

Polttoainejärjestelmän tarkistaminen

- Tutki polttoainesäiliön korkki ja polttoainesäiliön korkin tiiviste vaurioiden varalta.
- Tutki polttoaineletku vuotojen varalta. Jos polttoaineletku on vaurioitunut, vaihdata se huoltoliikkeessä.

Kytkinjohdon säätäminen (LC 140SP)

Seuraavissa tilanteissa kytkinjohtoa on pidennettävä:

- Pyörien veto ei kytkeydy, kun vetojärjestelmän sangasta tai nopeuden säätövivusta vedetään.
- Laite liikkuu hitaasti, kun pyörien veto on kytkettyinä.

Seuraavissa tilanteissa kytkinjohtoa on lyhennettävä:

- Laite liikkuu, kun pyörien veto ei ole kytkettyinä.
- Säädä kytkinjohtoa.

- Lyhennä kytkinjohtoa kääntämällä säätöruuvia vastapäivään.
- Pidennä kytkinjohtoa kääntämällä säätöruuvia myötäpäivään. (Kuva 41)

Jos ajettavuus ei parane säädön jälkeen, ota yhteyttä huoltoliikkeeseen.

Moottorin vianmääritys

| Vika | Mahdollinen syy | Ratkaisu |
|--|--|---|
| Moottori ei käynnisty. | Sytytyskaapelia ei ole liitetty oikein. | Kytke sytytyskaapeli sytytystulppaan. |
| | Polttoainesäiliö on tyhjä. | Täytä polttoainesäiliö oikeantyyppisellä polttoaineella. |
| | Polttoaine on vanhaa. | Tyhjennä polttoainesäiliö ja kaasutin. Täytä uudella polttoaineella. |
| | Kaasuttimessa tai polttoainejärjestelmässä on likaa. | Puhdista kaasutin ja/tai polttoaineen syöttöletku. |
| | Sytytystulppa on viallinen. | Säädä kärkiväli tai puhdista tai vaihda sytytystulppa. |
| | Sytytystulpassa on polttoainetta. | Puhdista sytytystulppa. |
| Moottori ei pysähdy. | Pysäytysmekanismi on viallinen. | Irrota sytytyskaapeli sytytystulpasta. Korjauta kone valtuutetussa huoltoliikkeessä. |
| Moottori ei käy tasaisesti. | Sytytyskaapelia ei ole liitetty oikein. | Kytke sytytyskaapeli sytytystulppaan. |
| | Polttoaineletkussa on likaa tai polttoaine on vanhentunutta. | Puhdista polttoaineletku. Täytä polttoainesäiliö uudella oikeantyyppisellä polttoaineella. |
| | Polttoainesäiliön korkissa on tukos. | Puhdista polttoainesäiliön korkki. |
| | Polttoainejärjestelmässä on vettä tai likaa. | Tyhjennä polttoainesäiliö. Täytä polttoainesäiliö uudella oikeantyyppisellä polttoaineella. |
| | Ilmansuodatin on likainen. | Puhdista ilmansuodatin. |
| | Kaasutinta on säädettävä. | Säädätä kaasutin valtuutetussa huoltoliikkeessä. |
| Moottorista tulee liian kuumaa. | Moottoriöljyn taso on liian alhainen. | Kaada öljy säiliöön. |
| | Ilmavirtaus ei ole riittävä. | Puhdista ilmansuodatin ja ilmansuodattimen kotelo. |
| | Kaasutinta on säädettävä. | Säädätä kaasutin valtuutetussa huoltoliikkeessä. |
| Moottori katkoo kun se käy kovalla nopeudella. | Sytytystulppien kärkiväli on liian pieni. | Säädä kärkiväliä. |

| Vika | Mahdollinen syy | Ratkaisu |
|---|---|--|
| Moottorista kuuluu epätavallisia ääniä normaalissa kuormassa. | Vääräntyyppinen polttoaine. | Tyhjennä polttoainesäiliö ja kaasutin. Täytä uudella polttoaineella. Katso kohta <i>Polttoaineen lisääminen sivulla 116</i> . Jos ongelma jatkuu, ota yhteys paikalliseen huoltoliikkeeseen. |
| Moottori ei toimi joutokäyntinopeudella tasaisesti. | Sytytystulppa on likainen tai viallinen tai kärkiväli on liian suuri. | Säädä kärkiväliä tai vaihda sytytystulppa. |
| | Kaasutinta on säädettävä. | Säädä kaasutin. |
| | Ilmansuodatin on likainen. | Puhdista ilmansuodatin. |

Kuljettaminen, säilyttäminen ja hävittäminen

Kuljetus ja säilytys

- Kun säilytät ja kuljetat tuotetta ja polttoainetta, varmista, ettei tuote vuoda polttoainetta tai polttoainehöyryä. Esimerkiksi sähkölaitteista tai lämmityskattiloista peräisin olevat kipinät tai avotuli voivat aiheuttaa tulipalon.
- Käytä polttoaineen säilytyksessä ja kuljettamisessa aina hyväksytyjä polttoainesäiliöitä.
- Tyhjennä tuotteen polttoainesäiliö, jos varastoit tuotteen pitkäksi ajaksi. Hävitä polttoaine viemällä se asianmukaiseen keräyspisteeseen.
- Vältä onnettomuudet ja tuotteen vaurioituminen kiinnittämällä tuote turvallisesti kuljetuksen ajaksi.
- Säilytä tuotetta lukitussa varastossa, jonne lapset ja asiattomat henkilöt eivät pääse.

- Säilytä tuotetta kuivassa paikassa, jossa lämpötila ei laske pakkasen puolelle.

Hävittäminen

- Noudata paikallisia kierrätysvaatimuksia ja säädöksiä.
- Hävitä kaikki kemikaalit, kuten moottoriöljy ja polttoaine viemällä ne huoltoliikkeeseen tai asianmukaiseen keräyspisteeseen.
- Kun tuote tulee elinkaarensa päähän, hävitä tuote lähettämällä se Husqvarna-jälleenmyyjälle tai kierrätyspisteeseen.

Tekniset tiedot

Tekniset tiedot

| | LC 140P | LC 140SP |
|-------------------------------|--|--|
| Moottori | | |
| Tuotemerkki | Husqvarna | Husqvarna |
| Moottorin mallin nimi | HS 123A | HS 123A |
| Moottorin tyyppi | Yksisylinterinen, nelitahtinen, paineilmajähdytys, OHV | Yksisylinterinen, nelitahtinen, paineilmajähdytys, OHV |
| Iskutilavuus, cm ³ | 123 | 123 |
| Nopeus, r/min | 3 000 | 3 000 |

| | LC 140P | LC 140SP |
|--|----------------------|----------------------|
| Moottorin nimellisteho, kW ⁵⁹ | 1,95 | 1,95 |
| Sytytysjärjestelmä | | |
| Sytytystulppa | Husqvarna HQT-7 | Husqvarna HQT-7 |
| Kärkiväli, mm | 0,7-0,8 | 0,7-0,8 |
| Polttoaine-/voitelujärjestelmä | | |
| Moottorin voitelun tyyppi | Roiske | Roiske |
| Polttoainesäiliön tilavuus, litraa | 0,9 | 0,9 |
| Öljysäiliön tilavuus, litraa | 0,5 | 0,5 |
| Moottoriöljy ⁶⁰ | Husqvarna SAE 30 | Husqvarna SAE 30 |
| Paino | | |
| Säiliöt tyhjinä, kg | 25,2 | 26,8 |
| Melupäästöt⁶¹ | | |
| Äänentehotaso, mitattu, dB(A) | 93 | 93 |
| Äänen tehotaso, taattu, L _{WA} dB(A) | 95 | 95 |
| Äänitasot⁶² | | |
| Äänenpainetaso käyttäjän korvan tasalla, dB(A) | 81 | 81 |
| Tärinätasot⁶³ | | |
| Tärinätaaso kahvastossa, m/s ² | 5,6 | 7,6 |
| Terälaite | | |
| Leikkuukorkeus, mm | 25-75 | 25-75 |
| Leikkuuleveys, mm | 400 | 400 |
| Leikkuujärjestelmä | Keruu/taaksepuhallus | Keruu/taaksepuhallus |
| Terät – vakio | Kerulaite 5873863-10 | Kerulaite 5873863-10 |
| Ruohonkerääjän tilavuus litroina | 50 | 50 |
| Ajo | | |
| Liikkumisnopeus, km/h | – | 4 |

⁵⁹ Moottorin ilmoitettu nimellisteho on moottorimallia edustavan tyypillisen tuotantomoottorin keskimääräinen nettoteho (rpm) mitattuna SAE-standardin J1349/ISO1585 mukaisesti. Massatuotantomoottorit voivat poiketa tästä arvosta. Laitteeseen asennetun moottorin todellinen lähtöteho riippuu käyttönopeudesta, ympäristön olosuhteista ja muista arvoista.

⁶⁰ Jos SAE-30-öljyä käytetään alle +5 °C:n lämpötilassa, öljy ei välttämättä voitele moottoria riittävästi. Se voi vahingoittaa moottoria. Katso kohdasta *Moottoriöljyn vaihtaminen sivulla 119* tiedot alhaisiin lämpötiloihin sopivasta öljystä.

⁶¹ Melupäästö ympäristöön äänentehona (L_{WA}) EY-direktiivin 2000/14/EY mukaisesti mitattuna.

⁶² Äänenpainetasoista ilmoitettujen tietojen tyypillinen tilastollinen hajonta (keskihajonta) on 1,2 dB(A).

⁶³ Tärinätasolle ilmoitetuissa tiedoissa tyypillinen tilastollinen hajonta (vakiopoikkeama) on 0,2 m/s².

EY-vaatimustenmukaisuusvakuutus

Husqvarna AB, SE-561 82 Huskvarna, Ruotsi, puh.: +46-36-146500, vakuuttaa, että **Husqvarna, LC 140P, LC 140SP -ruohonleikkurit** vuodesta 2020 alkaen ovat seuraavien NEUVOSTON DIREKTIIVIEN mukaisia:

- 8. kesäkuuta 2011 annettu direktiivi **2011/65/EU** tiettyjen vaarallisten aineiden käytön rajoittamisesta
- 17. toukokuuta 2006 annettu konedirektiivi **2006/42/EY**
- 26. helmikuuta 2014 annettu direktiivi **2014/30/EU** sähkömagneettisesta yhteensopivuudesta
- 8. toukokuuta 2000 annettu laitemeludirektiivi **2000/14/EY**.

Melupäästöjä koskevat tiedot löytyvät luvusta Tekniset tiedot.

Seuraavia standardeja on sovellettu:

EN ISO 5395-1:2013, EN ISO 5395-1:2013/A1, EN ISO 5395-2:2013, EN ISO 5395-2:2013/A1:2016, EN ISO 5395-2:2013/A2:2017, EN ISO 14982:2009

Yllä luetellut standardit ovat standardien uusimmat julkaistut versiot, mikäli muuta ei ole ilmoitettu.

Ilmoitettu tarkastuslaitos: **0036, TÜV SÜD Industrie Service GmbH, Westendstrasse 199, 80686 München, Germany** on arvioinut vaatimustenmukaisuuden direktiivin 2000/14/EY liitteen VI mukaisesti.

Huskvarna, 2020-10-20



Claes Losdal, kehityspäällikkö/puutarhatuotteet
(Husqvarna AB:n valtuutettu ja teknisestä dokumentaatiosta vastaava edustaja)

Sommaire

| | | | |
|-------------------|-----|--|-----|
| Introduction..... | 124 | Dépannage moteur..... | 133 |
| Sécurité..... | 125 | Transport, entreposage et mise au rebut..... | 134 |
| Montage..... | 128 | Caractéristiques techniques..... | 134 |
| Utilisation..... | 128 | Déclaration de conformité CE..... | 136 |
| Entretien..... | 130 | | |

Introduction

Description du produit

Le produit est une tondeuse rotative à pousser. L'herbe est recueillie dans un collecteur d'herbe. Retirez le collecteur d'herbe pour permettre l'éjection arrière de l'herbe.

Aperçu du produit

(Fig. 1)

1. Poignée/Guidon
2. Manette de commande (LC 140SP)
3. Poignée du câble du démarreur
4. Collecteur d'herbe
5. Réservoir de carburant
6. Filtre à air
7. Bougie
8. Capot de coupe
9. Silencieux
10. Bouchon du réservoir d'huile
11. Levier de hauteur de coupe
12. Couverture arrière
13. Poignée de frein moteur
14. Symboles
15. Ensemble de poignée inférieure
16. Poignée inférieure
17. Manuel de l'opérateur
18. Entonnoir à huile

Symboles concernant le produit

- (Fig. 2) **AVERTISSEMENT !** Soyez prudent et utilisez le produit correctement. Ce produit peut causer des blessures graves, voire mortelles, à l'opérateur ou à d'autres personnes.
- (Fig. 3) Veuillez lire attentivement le manuel d'utilisation et assurez-vous de bien comprendre les instructions avant utilisation.
- (Fig. 4) Attention : projections et ricochets.
- (Fig. 5) Maintenez les personnes et les animaux à une distance suffisante de la zone de travail.

Utilisation prévue

Utilisez le produit pour couper l'herbe. N'utilisez pas ce produit pour d'autres travaux.

- (Fig. 6) Avertissement : Maintenez les mains et les pieds à distance de la lame en rotation.
- (Fig. 7) Avertissement : Maintenez les pieds et les mains à distance des pièces en mouvement.
- (Fig. 8) Coupez le moteur et retirez le câble d'allumage avant toute réparation ou opération d'entretien.
- (Fig. 9) Ce produit est conforme aux directives CE en vigueur.
- (Fig. 10) Émissions sonores dans l'environnement selon la directive de la Communauté européenne. Les émissions du produit sont indiquées au chapitre Caractéristiques techniques et sur les autocollants.
- (Fig. 11) Risque d'incendie.
- (Fig. 12) Ne respirez pas les gaz d'échappement. Les gaz d'échappement du moteur contiennent du monoxyde de carbone, un gaz inodore, toxique et très dangereux. Ne démarrez pas le moteur en intérieur ou dans des espaces fermés.
- (Fig. 13) Surface chaude.
- (Fig. 14) Remplissez le moteur d'huile avant de démarrer le produit.

Remarque: Les autres symboles/autocollants présents sur le produit concernent des exigences de certification spécifiques à certaines zones commerciales.

Émissions Euro V



AVERTISSEMENT: toute altération du moteur a pour effet d'annuler l'homologation de type UE de ce produit.

Responsabilité

Conformément à la loi sur la responsabilité du fait des produits, nous déclinons toute responsabilité pour tout dommage causé par notre produit si :

- le produit n'est pas correctement réparé ;
- le produit est réparé avec des pièces qui ne proviennent pas du fabricant ou qui ne sont pas homologuées par le fabricant ;
- le produit est équipé d'un accessoire qui ne provient pas du fabricant ou qui n'est pas homologué par le fabricant ;
- le produit n'est pas réparé par un centre d'entretien agréé ou par une autorité homologuée.

Sécurité

Définitions de sécurité

Des avertissements, des recommandations et des remarques sont utilisés pour souligner des parties spécialement importantes du manuel.



AVERTISSEMENT: Symbole utilisé en cas de risque de blessures ou de mort pour l'opérateur ou les personnes à proximité si les instructions du manuel ne sont pas respectées.



REMARQUE: Symbole utilisé en cas de risque de dommages pour le produit, d'autres matériaux ou les environs si les instructions du manuel ne sont pas respectées.

Remarque: Symbole utilisé pour donner des informations supplémentaires pour une situation donnée.

Instructions générales de sécurité



AVERTISSEMENT: Lisez les instructions qui suivent avant d'utiliser le produit.

- Ce produit est dangereux s'il est utilisé de manière incorrecte ou imprudente. Des blessures graves ou mortelles peuvent se produire si vous ne respectez pas les instructions de sécurité.
- Ce produit génère un champ électromagnétique durant son fonctionnement. Ce champ peut dans certaines circonstances perturber le fonctionnement d'implants médicaux actifs ou passifs. Pour réduire le risque de blessures graves ou mortelles, les personnes portant des implants médicaux doivent consulter leur médecin et le fabricant de leur implant avant d'utiliser ce produit.
- Soyez toujours prudent et utilisez votre bon sens. Si vous ne savez pas comment faire fonctionner le produit dans une situation particulière, ne l'utilisez pas et contactez votre Husqvarna revendeur avant de poursuivre.

- N'oubliez pas que l'opérateur sera tenu responsable des accidents occasionnés à des tiers et à leurs biens.
- Maintenez le produit propre. Assurez-vous que vous pouvez lire clairement les avertissements et les autocollants.
- Ne laissez personne utiliser le produit avant d'avoir lu et compris le contenu du manuel de l'opérateur.
- Ne laissez pas un enfant utiliser le produit.
- Maintenez les enfants éloignés de la zone de travail. Un adulte responsable doit être présent à tout moment.
- Ne laissez pas une personne utiliser le produit si elle ne connaît pas les instructions.
- Surveillez constamment les personnes aux capacités physiques ou mentales réduites qui utilisent ce produit. Un adulte responsable doit être présent à tout moment.
- N'utilisez jamais l'appareil si vous êtes fatigué ou malade, ou si vous êtes sous l'emprise d'alcool, de drogues ou de médicaments. Cela a un effet négatif sur votre vision, votre vigilance, votre coordination et votre jugement.
- N'utilisez pas le produit si celui-ci est défectueux.
- Ne modifiez jamais le produit et ne l'utilisez jamais s'il est susceptible d'avoir été modifié par un tiers.
- Ne modifiez pas le réglage de régulation du régime moteur.

Sécurité dans l'espace de travail



AVERTISSEMENT: Lisez les instructions qui suivent avant d'utiliser le produit.

- Retirez les objets tels que les branches, les brindilles et les pierres de la zone de travail avant d'utiliser le produit.
- Les objets heurtant l'équipement de coupe peuvent être éjectés et causer des blessures ou des dégâts matériels. Maintenez les personnes aux alentours et les animaux à une distance suffisante du produit.
- N'utilisez jamais le produit par mauvais temps, par exemple en cas de brouillard, de pluie, de vent violent, de froid intense et de risque d'éclair. Utilisez

le produit par mauvais temps ou dans des environnements humides est fatigant. Le mauvais temps peut rendre les conditions de travail dangereuses : des surfaces peuvent par exemple devenir glissantes.

- Identifiez les éventuels personnes, objets et situations susceptibles de nuire à la sécurité du fonctionnement du produit.
- Soyez attentif aux obstacles tels que les racines, les pierres, les brindilles, les fosses et les fossés. L'herbe haute peut cacher des obstacles.
- Il peut être dangereux de couper l'herbe sur des terrains en pente. N'utilisez pas le produit sur un sol dont la pente est supérieure à 15°.
- Faites fonctionner le produit en travers de la courbe de la pente, jamais de haut en bas.
- Soyez prudent lorsque vous vous approchez de coins cachés et d'objets qui empêchent d'avoir une vue dégagée.

- Restez toujours derrière le produit lorsque vous l'utilisez.
- Faites reposer toutes les roues sur le sol et conservez vos deux mains sur la poignée lorsque vous faites fonctionner le produit. Maintenez les mains et les pieds à distance des lames en rotation.
- N'inclinez pas le produit quand le moteur est mis en marche.
- Soyez prudent lorsque vous tirez le produit vers l'avant.
- Ne soulevez jamais le produit quand le moteur est mis en marche. Si vous devez soulever le produit, coupez d'abord le moteur et débranchez le câble d'allumage de la bougie.
- Ne marchez pas vers l'arrière lorsque vous utilisez le produit.
- Arrêtez le moteur lorsque vous vous déplacez à travers des zones exemptes d'herbe, par exemple des chemins de gravier, de pierre ou d'asphalte.
- Ne courez pas lorsque vous utilisez le produit et que le moteur est mis en marche. Vous devez toujours marcher lorsque vous utilisez le produit.
- Arrêtez le moteur avant de modifier la hauteur de coupe. N'effectuez jamais de réglages pendant que le moteur tourne.
- Ne quittez jamais le produit des yeux pendant que le moteur tourne. Arrêtez le moteur et assurez-vous que l'équipement de coupe ne tourne pas.

Sécurité du travail



AVERTISSEMENT: Lisez les instructions qui suivent avant d'utiliser le produit.

- Utilisez le produit uniquement pour couper les pelouses. Il est interdit d'utiliser le produit pour d'autres travaux.
- Utilisez un équipement de protection personnelle. Reportez-vous à la section *Équipement de protection individuelle* à la page 126.
- Assurez-vous que vous savez arrêter le moteur rapidement en cas d'urgence.
- Ne démarrez jamais le moteur dans un espace clos ou à proximité matériaux inflammables. Les gaz d'échappement du moteur sont très chauds et peuvent contenir des étincelles pouvant provoquer un incendie.
- Faites fonctionner le produit uniquement si la lame et tous les couvercles sont fixés correctement. Une lame fixée de manière inadéquate risque de se détacher et de causer des blessures personnelles.
- Assurez-vous que la lame ne touche pas des objets tels que des pierres et des racines. Cela peut ne pas endommager la lame et tordre l'arbre du moteur. Un arbre tordu génère de fortes vibrations, il y a alors un risque important que la lame se détache.
- Arrêtez immédiatement le produit s'il vibre ou bute sur un objet. Débranchez le câble d'allumage de la bougie. Vérifiez que le produit n'est pas endommagé. Réparez les éventuels dommages ou demandez à un atelier spécialisé agréé procéder aux réparations.
- N'attachez jamais la poignée de frein moteur en permanence à la poignée de commande quand le moteur est mis en marche.
- Placez le produit sur une surface stable et plane, puis lancez-le. Vérifiez que la lame ne touche pas sol ou tout autre objet.

Consignes de sécurité pour le fonctionnement

Équipement de protection individuelle



AVERTISSEMENT: Lisez les instructions qui suivent avant d'utiliser le produit.

- L'équipement de protection individuel ne protège pas complètement des blessures, mais il diminue la gravité des blessures en cas d'accident. Faites appel à votre revendeur pour vous aider à sélectionner l'équipement adéquat.
- Utilisez des protège-oreilles si le niveau sonore est supérieur à 85 dB.
- Portez des bottes ou chaussures antidérapantes à usage intensif. Ne portez pas de chaussures ouvertes et ne soyez pas pieds nus lorsque vous utilisez le produit.
- Utilisez des pantalons longs et épais.
- Portez des gants de protection en cas de besoin, par exemple lorsque vous fixez, examinez ou nettoyez l'équipement de coupe.

Dispositifs de sécurité sur le produit



AVERTISSEMENT: Lisez les instructions qui suivent avant d'utiliser le produit.

- N'utilisez pas un produit avec des dispositifs de sécurité défectueux.
- Contrôlez les dispositifs de sécurité régulièrement. Si les dispositifs de sécurité sont défectueux, parlez-en à votre agent d'entretien Husqvarna.
- Ne respirez pas les vapeurs de carburant, elles peuvent causer des blessures. Assurez-vous que la ventilation est suffisante.
- Ne fumez pas à proximité du carburant ou du moteur.
- Ne mettez pas d'objets chauds à proximité du carburant ou du moteur.
- N'ajoutez pas de carburant lorsque le moteur est allumé.
- Assurez-vous que le moteur est froid avant de faire le plein de carburant.
- Avant de faire le plein, ouvrez le bouchon du réservoir de carburant lentement et relâchez la pression avec précaution.
- N'ajoutez pas de carburant au moteur dans un espace intérieur. Un débit d'air insuffisant peut causer des blessures graves, voire mortelles dues à une asphyxie ou au monoxyde de carbone.
- Serrez complètement le bouchon du réservoir de carburant. Si le bouchon du réservoir de carburant n'est pas serré, il y a un risque d'incendie.
- Déplacez le produit à un minimum de 3 m/10 ft de l'endroit où a été fait le plein de carburant avant de démarrer le produit.
- Ne remplissez pas entièrement le réservoir de carburant. La chaleur entraîne la dilatation du carburant. Laissez un espace en haut du réservoir de carburant.

Pour contrôler le capot de coupe

Le capot de coupe réduit les vibrations dans le produit et réduit le risque de blessures provoquées par la lame.

- Examinez le capot de coupe pour vous assurer qu'il ne présente pas de dommages tels que des fissures.

Pour contrôler la poignée de frein moteur

La poignée de frein moteur arrête le moteur. Lorsque la poignée de frein moteur est relâchée, le moteur s'arrête.

- Démarrez le moteur, puis relâchez la poignée de frein moteur. Si le moteur ne s'arrête pas au bout de 3 secondes, demandez à un Husqvarna atelier spécialisé agréé de régler le frein moteur. (Fig. 15)

Silencieux

Le silencieux est conçu pour réduire au maximum le niveau sonore et rejeter les gaz d'échappement loin de l'utilisateur.

N'utilisez pas la machine si le silencieux est manquant ou défectueux. Un silencieux en mauvais état augmente le niveau sonore et le risque d'incendie.



AVERTISSEMENT: Le silencieux devient très chaud pendant et après utilisation et lorsque le moteur fonctionne au régime de ralenti. Soyez vigilant à proximité des matériaux inflammables et/ou des fumées pour prévenir tout risque d'incendie.

Sécurité carburant



AVERTISSEMENT: Lisez les instructions qui suivent avant d'utiliser le produit.

- Ne démarrez pas le produit si du carburant ou de l'huile moteur a été renversé(e) sur le produit. Essuyez le carburant/l'huile et attendez que le produit sèche.
- Si vous avez renversé du carburant sur vos vêtements, changez de vêtements immédiatement.
- Évitez tout contact de la peau avec le carburant. Le carburant peut causer des blessures. Si votre peau entre en contact avec le carburant, lavez les parties qui ont été en contact avec de l'eau et du savon.
- Ne démarrez pas le produit s'il y a une fuite de moteur. Vérifiez régulièrement s'il y a des fuites de moteur.
- Faites attention avec le carburant. Le carburant est inflammable et ses vapeurs sont explosives. Il peut causer des blessures graves, voire mortelles.
- Les gaz d'échappement du moteur contiennent du monoxyde de carbone, un gaz inodore, toxique et très dangereux. Ne démarrez pas le moteur en intérieur ou dans des espaces fermés.
- Avant de procéder à l'entretien du produit, arrêtez le moteur et débranchez le câble d'allumage de la bougie.
- Utilisez des gants de protection lorsque vous procédez à l'entretien de l'équipement de coupe. La lame est très tranchante et des coupures peuvent survenir facilement.
- Les accessoires et les modifications apportées au produit qui ne sont pas approuvés par le fabricant peuvent causer des blessures très graves, voire mortelles. Ne modifiez pas le produit. Utilisez toujours des accessoires qui sont approuvés par le fabricant.
- Si l'entretien n'est pas effectué correctement et régulièrement, le risque de blessures et d'endommagement du produit augmente.
- Effectuez uniquement les tâches d'entretien décrites dans le présent manuel d'utilisation. Toutes les autres tâches d'entretien doivent être effectuées par un Husqvarna atelier spécialisé agréé.

Consignes de sécurité pour l'entretien



AVERTISSEMENT: Lisez les instructions qui suivent avant d'utiliser le produit.

- Demandez à un Husqvarna atelier spécialisé d'effectuer régulièrement l'entretien du produit.

- Remplacez les pièces endommagées, usées ou cassées.

Montage

Pour monter la poignée

1. Poussez la vis (A) dans la poignée (B), la rondelle en plastique (C) et le support de poignée (D). (Fig. 16)
2. Serrez entièrement l'écrou (E).
3. Poussez la vis (F) dans la rondelle (G) et le support de poignée.
4. Serrez entièrement le bouton (H).
5. Alignez les trous du guidon avec les trous de la poignée inférieure et fixez les vis, les rondelles et les boutons. Serrez fermement les boutons. (Fig. 17)
6. Fixez les câbles à la poignée avec les supports de câble. (Fig. 18)

Remarque: Assurez-vous que la tension dans les câbles n'est pas trop élevée. Une tension trop élevée peut endommager le câble si la poignée est rabattue en position de transport.

7. Placez les câbles autour du crochet sur la partie inférieure de la poignée. (Fig. 19)

Pour régler la hauteur de la poignée

1. Desserrez les boutons inférieurs. (Fig. 20)
2. Déposez le bouton, la rondelle et la vis de chaque côté.
3. La poignée peut être réglée sur 2 hauteurs différentes. Placez la vis dans l'un des 2 trous de chaque côté. (Fig. 21)
4. Fixez les vis, les rondelles et les boutons.
5. Déplacez les boutons vers le haut, en direction de la poignée, jusqu'à ce qu'ils s'arrêtent et qu'un clic se fasse entendre. Serrez fermement les boutons. (Fig. 22)

Pour régler le produit en position de transport

1. Retirez le collecteur d'herbe.

2. Desserrez les boutons de la poignée supérieure et repliez la poignée vers le bas. (Fig. 23)
3. Desserrez les boutons inférieurs.
4. Faites glisser les boutons jusqu'aux extrémités inférieures des rainures sur le côté gauche et le côté droit de la machine. (Fig. 24)
5. Pliez la poignée vers l'avant. (Fig. 25)

Pour régler le produit en position de fonctionnement

1. Soulevez le guidon jusqu'à ce que la poignée inférieure se verrouille en position de fonctionnement. (Fig. 26)
2. Déplacez les boutons vers le haut, en direction de la poignée, jusqu'à ce qu'ils s'arrêtent et qu'un clic se fasse entendre.
3. Serrez fermement les boutons. (Fig. 27)
4. Soulevez la partie supérieure du guidon.
5. Serrez fermement les boutons. (Fig. 28)

Montage du collecteur d'herbe

1. Insérez la partie supérieure du collecteur d'herbe dans la partie inférieure du collecteur d'herbe. (Fig. 29)
2. Fixez le châssis du collecteur d'herbe à l'aide des clips. (Fig. 30)
3. Soulevez le capot arrière.
4. Fixez les crochets du collecteur d'herbe sur le bord supérieur du châssis. (Fig. 31)
5. Placez la partie inférieure du collecteur d'herbe dans le canal d'éjection de l'herbe.

Utilisation

Introduction



AVERTISSEMENT: Avant d'utiliser le produit, vous devez lire et comprendre le chapitre sur la sécurité.

Husqvarna Connect

Husqvarna Connect est une application gratuite pour votre appareil mobile. L'application Husqvarna Connect offre des fonctions étendues à votre produit Husqvarna :

- Informations produit détaillées.
- Informations et aide sur les pièces et l'entretien du produit.

Pour commencer à utiliser Husqvarna Connect

1. Téléchargez l'application Husqvarna Connect sur votre appareil mobile.
2. Enregistrez-vous sur l'application Husqvarna Connect.
3. Suivez les instructions de l'application Husqvarna Connect pour vous connecter et enregistrer le produit.

Avant d'utiliser le produit

1. Lisez attentivement le manuel d'utilisation et assurez-vous de bien comprendre les instructions.
2. Examinez l'équipement de coupe pour vous assurer qu'il est bien fixé et réglé. Consultez la section *Pour inspecter l'équipement de coupe à la page 131*.
3. Remplissez le réservoir de carburant. Consultez la section *Pour remplir le réservoir de carburant à la page 129*.
4. Remplissez le réservoir d'huile et contrôlez le niveau d'huile. Consultez la section *Pour contrôler le niveau d'huile à la page 131*.

Pour remplir le réservoir de carburant

Le cas échéant, utilisez de l'essence à faibles émissions/un carburant alkylate. Si vous ne disposez pas d'essence à faibles émissions/de carburant alkylate, utilisez de l'essence sans plomb de bonne qualité ou de l'essence au plomb dont l'indice d'octane n'est pas inférieur à 91.



REMARQUE: N'utilisez pas d'essence avec un indice d'octane inférieur à 91 RON. Cela peut endommager le produit.



REMARQUE: Remplacez le filtre à carburant une fois par an ou plus fréquemment, si nécessaire. Un nouveau filtre à carburant est disponible chez votre revendeur Husqvarna.



REMARQUE: Arrêtez toujours le moteur avant de remplir le réservoir de carburant.



REMARQUE: N'utilisez pas de fluides de démarrage sous pression.

1. Ouvrez lentement le couvercle du réservoir de carburant pour relâcher la pression.
2. Remplissez lentement le réservoir à l'aide d'un bidon de carburant. Si vous renversez du carburant, essuyez-le à l'aide d'un chiffon et laissez le carburant restant sécher. (Fig. 32)

3. Essayez le pourtour du bouchon du réservoir de carburant.
4. Serrez complètement le bouchon du réservoir de carburant. Si le bouchon du réservoir de carburant n'est pas serré, il y a un risque d'incendie.
5. Déplacez le produit à un minimum de 3 m/10 ft de l'endroit où a été fait le plein de carburant avant de démarrer le produit.

Pour régler la hauteur de coupe

1. Déplacez le levier de hauteur de coupe vers l'arrière pour augmenter la hauteur de coupe.
2. Déplacez le levier de hauteur de coupe vers l'avant pour diminuer la hauteur de coupe. (Fig. 33)



REMARQUE: La hauteur de coupe ne doit pas être réglée trop bas. Les lames peuvent toucher le sol si la surface de la pelouse n'est pas plane.

Pour démarrer le produit

1. Assurez-vous que le câble d'allumage est branché sur la bougie.
2. Restez derrière le produit.
3. Tenez la poignée de freinage du moteur contre le guidon. (Fig. 34)
4. Tenez la poignée du câble du démarreur de votre main droite.
5. Tirez lentement sur le câble du démarreur jusqu'à ce que vous sentiez une certaine résistance.
6. Tirez avec force pour démarrer le moteur.



AVERTISSEMENT: N'enroulez pas le câble du démarreur autour de votre main.

Pour appliquer l'entraînement aux roues

- Poussez la manette de commande en direction du guidon. (Fig. 35)
- Relâchez la manette de commande pour désengager l'entraînement, lorsque vous vous rendez à proximité d'un obstacle par exemple.
- Avant de tirer le produit vers l'arrière, désengagez l'entraînement et poussez le produit d'environ 10 cm vers l'avant.

Pour arrêter le produit

- Pour arrêter uniquement l'entraînement, relâchez la manette de commande.
- Pour arrêter le moteur, relâchez la poignée de freinage du moteur.

Obtenir de bons résultats

- Utilisez toujours une lame correctement affûtée. Une lame émoussée produit un résultat irrégulier et l'herbe jaunira à la surface de la coupe. De plus, une lame affûtée consomme moins d'énergie qu'une lame émoussée.

- Ne coupez pas plus d'un tiers de la longueur de l'herbe. Coupez d'abord avec une hauteur de coupe élevée. Examinez le résultat et abaissez la hauteur de coupe à un niveau convenable. Si l'herbe est très longue, tondez lentement, et deux fois si nécessaire.
- Tondez toujours dans différentes directions afin d'éviter de faire des lignes dans la pelouse.

Entretien

Introduction



AVERTISSEMENT: Avant d'effectuer des travaux d'entretien, vous devez lire et comprendre le chapitre sur la sécurité.

Une formation spécifique est nécessaire pour effectuer tous les travaux d'entretien et de réparation du produit. Nous garantissons qu'il vous est possible d'obtenir des services de réparation et d'entretien effectués par des professionnels. Si votre concessionnaire n'est pas un atelier spécialisé, demandez-lui des informations à propos de l'atelier spécialisé le plus proche.

Calendrier d'entretien



REMARQUE: Assurez-vous que le filtre à air est orienté vers le haut et qu'il n'est pas contre le sol lorsque vous inclinez le produit. Risque de détérioration du moteur.

Les intervalles d'entretien sont calculés selon une utilisation quotidienne du produit. Les intervalles sont différents si le produit n'est pas utilisé tous les jours.

Pour les travaux d'entretien suivis d'un astérisque (*), reportez-vous aux instructions dans la section *Dispositifs de sécurité sur le produit à la page 126.*

| Entretien | Au quotidien | Une fois par mois | À chaque saison |
|--|--------------|-------------------|-----------------|
| Faites une inspection générale | X | | |
| Inspectez le niveau d'huile | X | | |
| Changez l'huile (la première fois après 5 h d'utilisation, puis toutes les 50 h d'utilisation) ⁶⁴ | | | X |
| Nettoyez le produit | X | | |
| Inspectez l'équipement de coupe | X | | |
| Inspectez le capot de coupe * | X | | |
| Inspectez la poignée de frein moteur * | X | | |
| Inspectez le silencieux * | | X | |
| Vérifiez la bougie. Nettoyez ou remplacez la bougie si nécessaire | | | X |
| Inspectez le filtre à air | X | | |
| Nettoyez le filtre à air ⁶⁵ | | X | |
| Remplacez le filtre à air | | | X |
| Inspectez le système de carburant | | | X |
| Nettoyez les ailettes de refroidissement sur le cylindre. | | X | |
| Contrôlez et réglez le câble d'embrayage (LC 140SP) | | | X |

⁶⁴ Si le produit est utilisé avec une charge lourde ou à une température ambiante élevée, remplacez l'huile moteur toutes les 25 heures.

⁶⁵ Nettoyez-le plus souvent en cas de conditions poussiéreuses ou en présence de rejets aériens. Remplacez le filtre à air s'il est très sale.

Pour faire une inspection générale

- Assurez-vous que l'ensemble des vis et des écrous du produit sont correctement serrés.

Pour nettoyer la partie extérieure du produit

- Utilisez une brosse pour enlever les feuilles, l'herbe et la saleté.
- Assurez-vous que la prise d'air sur le dessus du moteur n'est pas obstruée.
- N'utilisez pas de nettoyeur haute pression pour le nettoyage du produit.
- Si vous utilisez de l'eau pour nettoyer le produit, ne projetez jamais d'eau directement sur le moteur.

Pour nettoyer la surface interne du capot de coupe

- Videz le réservoir de carburant.
- Inclinez le produit. Assurez-vous que la bougie pointe vers le haut.



REMARQUE: Si le produit est posé avec le filtre à air vers le bas, le moteur peut être endommagé.

- Lavez au jet la surface intérieure du capot de coupe.

Pour inspecter l'équipement de coupe



AVERTISSEMENT: Afin d'éviter tout démarrage accidentel, débranchez le câble d'allumage de la bougie.



AVERTISSEMENT: Utilisez des gants de protection lorsque vous procédez à l'entretien de l'équipement de coupe. La lame est très tranchante et des coupures peuvent survenir facilement.

- Inspectez l'équipement de coupe afin de détecter d'éventuels dommages ou fissures. Remplacez toujours un équipement de coupe endommagé.
- Inspectez la lame pour voir si elle est endommagée ou émoussée.

Remarque: Il est nécessaire d'équilibrer la lame après l'avoir affûtée. Demandez à un centre d'entretien d'affûter, de remplacer et d'équilibrer la lame. Si vous heurtez un obstacle qui entraîne l'arrêt du produit, remplacez la lame endommagée. Demandez au centre d'entretien d'évaluer si la lame peut être affûtée ou si elle doit être remplacée.

Pour remplacer la lame

- Bloquez la lame avec un bloc en bois. (Fig. 36)
- Retirez le boulon de lame.

- Retirez la lame.
- Examinez le support de lame et le boulon de lame pour voir s'ils sont endommagés.
- Examinez l'arbre du moteur pour vous assurer qu'il n'est pas tordu.
- Lorsque vous fixez la nouvelle lame, orientez le tranchant en direction du capot de coupe. (Fig. 37)
- Assurez-vous que la lame est alignée par rapport au centre de l'arbre du moteur.
- Bloquez la lame avec un bloc en bois. Fixez la rondelle ressort, puis serrez le boulon et la rondelle à un couple de 45–60 Nm. (Fig. 38)
- Déplacez la lame à la main et vérifiez qu'elle tourne librement.



AVERTISSEMENT: Utilisez des gants de travail épais. La lame est très tranchante et des coupures peuvent survenir facilement.

- Démarrez le produit pour tester la lame. Si la lame n'est pas correctement fixée, le produit vibre ou le résultat de coupe n'est pas satisfaisant.

Pour contrôler le niveau d'huile



REMARQUE: Un niveau d'huile trop bas peut endommager le moteur. Contrôlez le niveau d'huile avant de démarrer le produit.

- Placez le produit sur un sol plat.
- Retirez le bouchon du réservoir d'huile et la jauge qui y est attachée.
- Nettoyez l'huile sur la jauge.
- Insérez entièrement la jauge dans le réservoir d'huile pour connaître le véritable niveau d'huile.
- Enlevez la jauge.
- Inspectez le niveau d'huile sur la jauge.
- Si le niveau d'huile est bas, faites l'appoint d'huile moteur et contrôlez à nouveau le niveau d'huile.

Remarque: Utilisez un entonnoir pour éviter tout déversement.

Pour remplacer l'huile moteur



AVERTISSEMENT: L'huile moteur est très chaude juste après l'arrêt du moteur. Laissez le moteur refroidir avant de vidanger l'huile moteur. Si vous renversez de l'huile moteur sur votre peau, nettoyez avec de l'eau et du savon.

(Fig. 39)

Remarque: Utilisez de l'huile moteur 4 temps. Veillez à utiliser la viscosité appropriée à la température ambiante.

1. Faites fonctionner le produit jusqu'à ce que le réservoir de carburant soit vide.
2. Débranchez le câble d'allumage de la bougie.
3. Retirez le bouchon du réservoir d'huile.
4. Vidangez l'huile moteur du réservoir d'huile à l'aide d'une pompe à huile (accessoire).
5. Faites le plein avec de la nouvelle huile moteur du type recommandé dans *Caractéristiques techniques à la page 134*.
6. Contrôlez le niveau d'huile. Reportez-vous à la section *Pour contrôler le niveau d'huile à la page 131*.

Pour nettoyer le filtre en mousse plastique

1. Retirez le couvercle du filtre à air et le filtre en mousse plastique.
2. Nettoyez le filtre en mousse plastique avec de l'eau et du savon.
3. Rincez le filtre en mousse plastique dans de l'eau propre.
4. Pressez le filtre en mousse plastique pour en faire sortir l'eau et laissez-le sécher.



REMARQUE: N'utilisez pas d'air comprimé. Cela peut endommager le filtre en mousse plastique.

5. Lubrifiez le filtre en mousse plastique à l'aide d'huile moteur.
6. Appliquez un chiffon propre sur le filtre en mousse plastique pour retirer l'excédent d'huile.
7. Remettez le filtre à air en place. Veillez à assurer une bonne étanchéité entre le filtre à air et le support du filtre.
8. Remettez le couvercle de filtre à air en place.

Pour vérifier la bougie



REMARQUE: Utilisez toujours le type de bougie recommandé. Un type de bougie inadéquat peut endommager le produit.

- Inspectez la bougie si le moteur manque de puissance, n'est pas facile à démarrer ou ne

fonctionne pas correctement lorsqu'il tourne au régime de ralenti.

- Afin de réduire le risque de matériaux indésirables présents sur les électrodes de la bougie, procédez comme suit :
 - a) Assurez-vous que le régime de ralenti est correctement réglé.
 - b) Assurez-vous que le mélange de carburant est correct.
 - c) Assurez-vous que le filtre à air est propre.
- Si la bougie est encrassée, nettoyez-la et vérifiez que l'écartement des électrodes est correct ; reportez-vous à la section *Caractéristiques techniques à la page 134*. (Fig. 40)
- Remplacez la bougie si nécessaire.

Pour examiner le système de carburant

- Examinez le couvercle du réservoir de carburant et le joint du couvercle du réservoir de carburant pour vous assurer qu'ils ne sont pas endommagés.
- Examinez le tuyau à carburant pour vous assurer qu'il n'y a pas de fuite. Si le tuyau à carburant est endommagé, demandez à un atelier spécialisé de le remplacer.

Pour régler le câble d'embrayage (LC 140SP)

Pour les situations suivantes, il est nécessaire de réduire la longueur du câble d'embrayage :

- L'entraînement des roues ne s'engage pas lorsque vous tirez la manette de commande ou le levier de commande de vitesse.
- Le produit se déplace lentement lorsque l'entraînement des roues est engagé.

Pour les situations suivantes, il est nécessaire d'augmenter la longueur du câble d'embrayage :

- Le produit se déplace lorsque l'entraînement des roues n'est pas engagé.
- Réglez le câble d'embrayage.
 - a) Pour réduire la longueur du câble d'embrayage, tournez la vis de réglage dans le sens contraire des aiguilles d'une montre.
 - b) Pour augmenter la longueur du câble d'embrayage, tournez la vis de réglage dans le sens des aiguilles d'une montre. (Fig. 41)

Si le produit continue à ne pas fonctionner correctement après le réglage, contactez votre atelier d'entretien

Dépannage moteur

| Problème | Cause possible | Solution |
|--|--|--|
| Le moteur ne démarre pas. | Le câble d'allumage n'est pas branché correctement. | Branchez le câble d'allumage à la bougie. |
| | Le réservoir de carburant est vide. | Remplissez le réservoir de carburant avec le carburant adéquat. |
| | Le carburant est vieux. | Vidangez le réservoir de carburant et le carburateur. Faites le plein d'essence propre. |
| | Il y a des saletés dans le carburateur ou dans la durite de carburant. | Nettoyez le carburateur et/ou la durite de carburant. |
| | La bougie d'allumage est défectueuse. | Réglez l'écartement des électrodes, nettoyez ou remplacez la bougie. |
| | Présence de carburant sur la bougie. | Nettoyez la bougie. |
| Le moteur ne s'arrête pas. | Le mécanisme d'arrêt est défectueux. | Débranchez le câble d'allumage de la bougie. Faites réparer le produit par un atelier de réparation homologué. |
| Le moteur ne fonctionne pas correctement. | Le câble d'allumage n'est pas branché correctement. | Branchez le câble d'allumage à la bougie. |
| | Des saletés sont présentes dans la durite de carburant ou le carburant a expiré. | Nettoyez la conduite de carburant. Remplissez le réservoir de carburant avec du carburant neuf adéquat. |
| | Le bouchon du réservoir de carburant est colmaté. | Nettoyez le bouchon du réservoir de carburant. |
| | De l'eau ou de la saleté sont présentes dans le système de carburant. | Videz le réservoir de carburant. Remplissez le réservoir de carburant avec du carburant neuf adéquat. |
| | Le filtre à air est sale. | Nettoyez le filtre à air. |
| | Le carburateur doit être réglé. | Laissez un concessionnaire régler le carburateur. |
| Le moteur devient trop chaud. | Le niveau d'huile moteur est trop bas. | Remplissez l'huile moteur. |
| | Le débit d'air est insuffisant. | Nettoyez le filtre à air et le boîtier du filtre à air. |
| | Le carburateur doit être réglé. | Laissez un concessionnaire régler le carburateur. |
| Des ratés proviennent du moteur lorsqu'il fonctionne à grande vitesse. | L'écartement des électrodes dans la bougie est trop petit. | Réglez l'écartement des électrodes. |
| Bruits inhabituels du moteur en charge normale. | Type d'essence incorrect. | Vidangez le réservoir de carburant et le carburateur. Faites le plein d'essence propre. Reportez-vous à la section <i>Pour remplir le réservoir de carburant à la page 129</i> . Si le problème persiste, contactez votre revendeur local. |

| Problème | Cause possible | Solution |
|---|--|---|
| Le moteur ne fonctionne pas correctement lorsqu'il tourne au régime de ralenti. | La bougie est sale, défectueuse ou l'écartement des électrodes est trop grand. | Ajustez l'écartement des électrodes ou remplacez la bougie. |
| | Le carburateur doit être réglé. | Réglez le carburateur. |
| | Le filtre à air est sale. | Nettoyez le filtre à air. |

Transport, entreposage et mise au rebut

Transport et stockage

- Pour le stocker et transporter le produit et le carburant, assurez-vous qu'il n'y a pas de fuite ou de vapeurs. Les étincelles ou les flammes nues produites par exemple par des appareils électriques ou chaudières peuvent provoquer un incendie.
- Utilisez uniquement des récipients homologués pour le transport et le stockage de carburant.
- Videz le réservoir de carburant avant de remettre le produit pendant une longue période. Mettez le carburant au rebut dans une déchetterie appropriée.
- Sécurisez le produit lors de son transport pour éviter tout dommage ou accident.
- Conservez le produit dans un endroit verrouillé afin que des enfants ou personnes qui ne sont pas autorisées à l'utiliser ne puissent pas y avoir accès.

- Conservez le produit dans un endroit sec et à l'abri du gel.

Mise au rebut

- Respectez les consignes locales de recyclage et la réglementation en vigueur.
- Mettez au rebut tous les produits chimiques tels que l'huile moteur ou le carburant à un centre d'entretien ou à une déchetterie appropriée.
- Lorsque vous n'utilisez plus le produit, renvoyez-le à un Husqvarna concessionnaire ou mettez-le au rebut dans une déchetterie.

Caractéristiques techniques

Caractéristiques techniques

| | LC 140P | LC 140SP |
|--|--|--|
| Moteur | | |
| Marque | Husqvarna | Husqvarna |
| Nom de modèle du moteur | HS 123A | HS 123A |
| Type de moteur | Un cylindre, 4 temps, refroidissement par air forcé, OHV | Un cylindre, 4 temps, refroidissement par air forcé, OHV |
| Cylindrée, cm ³ | 123 | 123 |
| Vitesse, tr/min. | 3 000 | 3 000 |
| Puissance nominale du moteur, kW ⁶⁶ | 1,95 | 1,95 |

⁶⁶ La puissance nominale du moteur indiquée est la puissance nette moyenne (à un régime en tr/min spécifié) d'un moteur de production typique pour le modèle de moteur mesurée selon la norme SAE J1349/ISO1585. Les moteurs produits à grande échelle peuvent s'écarter de cette valeur. La puissance effective du moteur installé sur le produit fini dépend de la vitesse de fonctionnement, des conditions environnementales et d'autres valeurs.

| | LC 140P | LC 140SP |
|--|----------------------------|----------------------------|
| Système d'allumage | | |
| Bougie | Husqvarna HQT-7 | Husqvarna HQT-7 |
| Écartement des électrodes, mm | 0,7-0,8 | 0,7-0,8 |
| Système de graissage/de carburant | | |
| Type de lubrification du moteur | Projection | Projection |
| Capacité du réservoir de carburant, litres | 0,9 | 0,9 |
| Contenance du réservoir d'huile, litres | 0,5 | 0,5 |
| Huile moteur ⁶⁷ | Husqvarna SAE 30 | Husqvarna SAE 30 |
| Poids | | |
| Réservoirs vides, en kg | 25,2 | 26,8 |
| Émissions sonores⁶⁸ | | |
| Niveau de puissance sonore mesuré, dB (A) | 93 | 93 |
| Niveau de puissance sonore, garanti, L _{WA} dB(A) | 95 | 95 |
| Niveaux sonores⁶⁹ | | |
| Niveau de pression sonore au niveau de l'oreille de l'utilisateur, dB(A) | 81 | 81 |
| Niveaux de vibrations⁷⁰ | | |
| Vibrations au niveau du guidon, m/s ² | 5,6 | 7,6 |
| Équipement de coupe | | |
| Hauteur de coupe, en mm | 25-75 | 25-75 |
| Profondeur de coupe, en mm | 400 | 400 |
| Système de coupe | Ramassage/éjection arrière | Ramassage/éjection arrière |
| Lames - standard | Ramassage 5873863-10 | Ramassage 5873863-10 |
| Capacité du collecteur d'herbe, en litres | 50 | 50 |
| Entraînement | | |
| Vitesse de marche, km/h | - | 4 |

⁶⁷ Si l'huile SAE-30 est utilisée à des températures inférieures à +5 °C, il y a un risque qu'elle ne lubrifie pas suffisamment le moteur. Cela peut endommager le moteur. Reportez-vous à la section *Pour remplacer l'huile moteur à la page 131* afin de connaître l'huile appropriée pour les basses températures.

⁶⁸ Émissions sonores dans l'environnement mesurées comme puissance sonore (L_{WA}) selon la directive européenne CE 2000/14/CE.

⁶⁹ Les données reportées pour le niveau de pression sonore montrent une dispersion statistique typique (déviation standard) de 1,2 dB(A).

⁷⁰ Les données reportées pour le niveau de vibrations montrent une dispersion statistique typique (déviation standard) de 0,2 m/s².

Déclaration de conformité CE

Déclaration de conformité CE

Nous, **Husqvarna AB**, SE-561 82 Huskvarna, Suède,
tél. : +46-36-146500, déclarons que la **tondeuse**
Husqvarna LC 140P, LC 140SP à partir de l'année 2020
et au-delà est conforme aux dispositions des
DIRECTIVES DU CONSEIL :

- du 8 juin 2011 « relative à la limitation de l'utilisation de certaines substances dangereuses » **2011/65/UE**
- du 17 mai 2006 « relative aux machines » **2006/42/CE**
- du 26 février 2014 « relative à la compatibilité électromagnétique » **2014/30/UE**
- du 8 mai 2000 « relative aux émissions sonores dans l'environnement » **2000/14/CE**

Pour toute information relative aux émissions sonores, veuillez consulter les caractéristiques techniques.

Les normes suivantes ont été appliquées :

EN ISO 5395-1:2013, EN ISO 5395-1:2013/A1, EN ISO 5395-2:2013, EN ISO 5395-2:2013/A1:2016, EN ISO 5395-2:2013/A2:2017, EN ISO 14982:2009

Sauf mention contraire, les normes listées ci-dessus sont les dernières versions publiées.

L'organisme notifié : **0036, TÜV SÜD Industrie Service GmbH, Westendstrasse 199, 80686 München, Germany** a effectué une évaluation de la conformité conformément à l'annexe VI de la directive 2000/14/CE.

Huskvarna, 2020-10-20



Claes Losdal, Directeur du développement/Articles de jardinage (Représentant autorisé d'Husqvarna AB et responsable de la documentation technique)

Sadržaj

| | | | |
|-------------------|-----|---|-----|
| Uvod..... | 137 | Rješavanje problema na motoru..... | 145 |
| Sigurnost..... | 138 | Prijevoz, spremanje i zbrinjavanje..... | 146 |
| Sastavljanje..... | 140 | Tehnički podaci..... | 146 |
| Rad..... | 141 | Izjava o sukladnosti EC..... | 148 |
| Održavanje..... | 142 | | |

Uvod

Opis proizvoda

Proizvod je rotacijska kosilica za travu kojom upravlja pješak. Trava se skuplja u sakupljaču trave. Uklonite sakupljač trave kako biste omogućili izbacivanje trave na stražnjoj strani.

Pregled proizvoda

(Sl. 1)

1. Ručka/šipka
2. Poluga pogona (LC 140SP)
3. Drška užeta startera
4. Sakupljač trave
5. Spremnik za gorivo
6. Filtar zraka
7. Svjećica
8. Pokrov noža
9. Prigušivač
10. Čep spremnika za ulje
11. Poluga za visinu rezanja
12. Stražnji poklopac
13. Kočna poluga motora
14. Znakovi
15. Sklop donje ručke
16. Donja ručka
17. Korisnički priručnik
18. Lijevak za ulje

Simboli na proizvodu

- (Sl. 2) **UPOZORENJE!** Budite oprezni i pravilno upotrebljavajte ovaj proizvod. Ovaj proizvod može izazvati teške ozljede ili smrt rukovatelja ili drugih osoba.
- (Sl. 3) Pažljivo pročitajte korisnički priručnik i prije korištenja dobro usvojite sadržaj.
- (Sl. 4) Pazite na izbačene predmete i odbijanja.
- (Sl. 5) Osobe i životinje držite na sigurnoj udaljenosti od radnog područja.
- (Sl. 6) **Upozorenje:** Ruke i stopala držite podalje od rotirajućeg noža.

Namjena

Proizvod upotrebljavajte za rezanje trave. Proizvod nemojte upotrebljavati za druge zadatke.

- (Sl. 7) **Upozorenje:** Šake i stopala držite podalje od rotirajućih dijelova.
- (Sl. 8) Prije popravaka ili održavanja zaustavite motor i uklonite kabel za paljenje.
- (Sl. 9) Ovaj proizvod u suglasnosti je s važećim direktivama EZ.
- (Sl. 10) Stvaranje buke u okoliš u skladu s EZ direktivom. Emisije proizvoda navedene su u poglavlju s tehničkim podacima i na naljepnici.
- (Sl. 11) Opasnost od požara.
- (Sl. 12) Nemojte udisati ispušne pare. Ispušni plinovi iz motora sadrže ugljikov monoksid, vrlo opasan otrovni plin bez mirisa. Proizvod nemojte pokretati u zatvorenom ili uskom prostoru.
- (Sl. 13) Vruća površina.
- (Sl. 14) Prije pokretanja proizvoda motor napunite uljem.

Napomena: Drugi simboli/naljepnice na proizvodu odnose se na zahtjeve za certifikaciju za neka tržišna područja.

Standard za emisije Euro V.



UPOZORENJE: Petljanjem po motoru gubite pravo na odobrenje EU-a ovog proizvoda.

Pouzdanost proizvoda

Sukladno zakonima o pouzdanosti proizvoda nismo odgovorni za oštećenja uzrokovana našim proizvodima ako je:

- proizvod nepravilno popravljen

- proizvod popravljen dijelovima koje nije proizveo proizvođač ili nemaju odobrenje proizvođača
- proizvod ima dodatnu opremu koje nije proizveo proizvođač ili nemaju odobrenje proizvođača
- proizvod nije popravljen u odobrenom servisnom centru ili kod ovlaštene osobe.

Sigurnost

Sigurnosne definicije

Upozorenjima, oprezima i napomenama naglašavaju se posebno važni dijelovi priručnika.



UPOZORENJE: Koristi se kada nepoštivanje uputa iz priručnika može uzrokovati smrt ili ozljede rukovatelja ili promatrača.



OPREZ: Koristi se kada nepoštivanje uputa iz priručnika može uzrokovati oštećenje proizvoda ili drugih materijala u neposrednoj blizini.

Napomena: Koristi se prikaz neophodnih dodatnih informacija za zadanu situaciju.

Opće sigurnosne upute



UPOZORENJE: Prije korištenja proizvoda pročitajte upozoravajuće upute u nastavku.

- Proizvod je opasan ako ga koristite nepravilno ili ako niste oprezni. Nepoštivanje sigurnosnih uputa može uzrokovati ozljede ili smrt.
- Proizvod tijekom rada proizvodi elektromagnetsko polje. To polje u određenim okolnostima može ometati aktivne ili pasivne medicinske implantate. Za smanjenje opasnosti od smrtonosne ozljede osobama s medicinskim implantatima prije korištenja uređaja preporučujemo obraćanje liječniku i proizvođaču medicinskog implantata.
- Uvijek budite pažljivi i razumni. Ako u posebnim situacijama niste sigurni u način upotrebe stroja, prije nastavka stanite i obratite se svom distributeru tvrtke Husqvarna.
- Imajte na umu kako se rukovatelj smatra odgovornim za nezgode koje uključuju druge osobe ili njihovo vlasništvo.
- Proizvod održavajte čistim. Znakovi i naljepnice moraju biti jasno čitljivi.
- Osobama dopustite upotrebu proizvoda samo ako su pročitali i usvojili sadržaj uputa za rukovanje.
- Djeci nemojte dopustiti korištenje proizvoda.
- Djecu držite podalje od područja rada. Cijelo vrijeme mora biti prisutna odgovorna odrasla osoba.
- Osobama koje nisu upoznate s uputama nemojte dopustiti korištenje proizvoda.

- Osobu smanjenih fizičkih ili mentalnih sposobnosti obavezno nadzirite tijekom uporabe proizvoda. Cijelo vrijeme mora biti prisutna odgovorna odrasla osoba.
- Proizvod nemojte koristiti kada ste umorni, bolesni ili pod utjecajem alkohola, droge ili lijekova. To negativno utječe na vaš vid, pažnju, koordinaciju i prosudbu.
- Nemojte upotrebljavati neispravan proizvod.
- Nemojte izmjenjivati proizvod ili ga upotrebljavati ako postoji mogućnost da je izmijenjen.
- Nemojte mijenjati prilagodbe za kontrolu brzine motora.

Sigurnost na radnom mjestu



UPOZORENJE: Prije korištenja proizvoda pročitajte upozoravajuće upute u nastavku.

- Prije upotrebe proizvoda iz radnog područja uklonite sve predmete poput grana, prutova i kamenja.
- Objekti koji udare u reznu opremu mogu biti izbačeni te uzrokovati ozljede ili oštećenja. Promatrače i životinje držite na sigurnoj udaljenosti od proizvoda.
- Proizvod nikada nemojte upotrebljavati u lošim vremenskim uvjetima kao što su magla, kiša, jak vjetar, intenzivna hladnoća i pri opasnosti od grmljavinskog nevremena. Upotreba proizvoda po lošem vremenu ili na vlažnim ili mokrim lokacijama je zamorna. Pri lošem vremenu mogu nastati opasni uvjeti, primjerice skliske površine.
- Pazite na osobe, predmete i situacije koje mogu onemogućiti siguran rad proizvoda.
- Pazite na prepreke poput korijenja, kamenja, prutova, jama i jaraka. Visoka trava može sakrivati prepreke.
- Košenje trave na nagibima može biti opasno. Proizvod nemojte upotrebljavati na tlu s nagibom većim od 15°.
- Proizvod upotrebljavajte poprečno preko nagiba. Nemojte se kretati prema gore i dolje.
- Oprezno prilazite skrivenim kutovima i predmetima koji onemogućavaju jasan pregled.

Sigurnost pri radu



UPOZORENJE: Prije korištenja proizvoda pročitajte upozoravajuće upute u nastavku.

- Proizvod upotrebljavajte samo za košenje travnjaka. Upotreba za druge zadatke nije dopuštena.
- Upotrebljavajte osobnu zaštitnu opremu. Pogledajte *Oprema za osobnu zaštitu na stranici 139.*
- Provjerite znate li brzo zaustaviti motor u slučaju nužde.
- Nikada nemojte pokretati motor u zatvorenom prostoru ili u blizini zapaljivog materijala. Ispušne pare motora vruće su i mogu sadržavati vruće iskre koje mogu uzrokovati požar.
- Proizvod upotrebljavajte samo ako su nož i svi štitnici pravilno postavljeni. Nepravilno postavljen nož može se otpustiti i uzrokovati osobne ozljede.
- Pazite da nožem ne udarate u predmete poput kamenja ili korijenja. Time možete oštetiti nož i saviti vratilo motora. Savijena osovina uzrokuje snažne vibracije i vrlo visoku opasnost od otpuštanja noža.
- Ako nožem udarite u predmet ili osjetite vibracije, odmah zaustavite proizvod. Odspojite kabel za paljenje od svjeće. Pregledajte je li proizvod oštećen. Popravite oštećenja ili popravak prepustite ovlaštenom serviseru.
- Ručicu kočnice motora nikada trajno nemojte pričvrstiti za ručku kada je motor u pogonu.
- Proizvod postavite na stabilnu, ravnu površinu i pokrenite ga. Noževi ne smiju udarati u tlo ili druge predmete.
- Tijekom rukovanja proizvodom obavezno budite iza njega.
- Tijekom rukovanja proizvodom svi kotači trebaju biti na tlu, a 2 ruke na ručki. Ruke i stopala držite podalje od rotirajućih noževa.
- Proizvod nemojte naginjati kada je motor pokrenut.
- Budite pažljivi pri povlačenju proizvoda unatrag.
- Proizvod nikada nemojte podizati kada je motor pokrenut. Ako proizvod morate podići, prvo zaustavite motor i odspojite kabel za paljenje od svjeće.
- Tijekom rada s proizvodom nemojte hodati unatrag.
- Zaustavite motor prilikom prelaska preko velikih površina bez trave, primjerice šljunčanih, kamenih i asfaltnih staza.
- Nemojte trčati s proizvodom kada je motor pokrenut. Obavezno hodajte tijekom rada s proizvodom.
- Prije promjene visine rezanja zaustavite motor. Nemojte provoditi prilagodbe s pokrenutim motorom.
- Proizvod s pokrenutim motorom ne ispuštajte iz vida. Zaustavite motor i provjerite je li rezna oprema zaustavljena.

- Oprema za osobnu zaštitu ne može u potpunosti spriječiti ozljede, no smanjuje stupanj ozljede u slučaju nezgode. Pri odabiru odgovarajuće opreme zatražite pomoć ovlaštenog trgovca.
- Upotrebljavajte zaštitu sluha ako je razina buka veća od 85 dB.
- Nosite čizme otporne na klizanje ili cipele za teške uvjete rada. Nemojte nositi otvorene cipele ili biti bos.
- Nosite teške, duge hlače.
- Prema potrebi nosite zaštitne rukavice, primjerice prilikom pričvršćivanja, pregleda ili čišćenja rezne opreme.

Sigurnosne upute za proizvod



UPOZORENJE: Prije korištenja proizvoda pročitajte upozoravajuće upute u nastavku.

- Nemojte koristiti proizvod s oštećenim zaštitnim uređajima.
- Redovito pregledavajte sigurnosne uređaje. Ako su sigurnosni uređaji neispravni, obratite se Husqvarna ovlaštenom trgovcu.

Provjera reznog poklopca

Rezni poklopac smanjuje vibriranje proizvoda te opasnost od ozljede nožem.

- Provjerite ima li na pokrovu noža oštećenja, primjerice napuklina.

Provjera ručke kočnice motora

Kočnom polugom motora zaustavljate motor. Motor se zaustavlja po otpuštanju kočne poluge motora.

- Pokrenite motor i potom otpustite ručku kočnice motora. Ako se motor ne zaustavi za 3 sekunde, podesite kočnicu motora kod servisera tvrtke Husqvarna. (Sl. 15)

Prigušivač

Prigušivač razinu buke održava na minimumu i ispušne plinove usmjerava dalje od rukovatelja.

Nemojte upotrebljavati proizvod bez prigušivača ili s oštećenim prigušivačem. Neispravni prigušivač povećava razinu buke i opasnost od požara.



UPOZORENJE: Prigušivač se tijekom rada, nakon rada te kada motor pogonite u praznom hodu jako zagrije. Budite oprezni u blizini zapaljivih materijal i/ili para kako biste spriječili požar.

Sigurnosne upute za rad

Oprema za osobnu zaštitu



UPOZORENJE: Prije uporabe proizvoda pročitajte upozoravajuće upute u nastavku.

Sigurnost pri rukovanju s gorivom



UPOZORENJE: Prije korištenja proizvoda pročitajte upozoravajuće upute u nastavku.

- Nemojte pokretati proizvod ako u njemu ima goriva ili motornog ulja. Uklonite neželjeno gorivo/ulje i pričekaite na sušenje proizvoda.
- Ako gorivo proljeće po odjeći, odmah ju zamijenite.
- Gorivu nemojte dopustiti kontakt s tijelom jer može uzrokovati ozljede. Ako dođe do kontakta goriva s tijelom, sapunom i vodom isperite gorivo.
- Nemojte pokretati proizvod ako motor propušta. Redovito pregledavajte ima li na motoru propuštanja.
- Budite pažljivo s gorivom. Gorivo je zapaljivo, a pare su eksplozivne i mogu uzrokovati ozljede i smrt.
- Nemojte udisati pare goriva, one mogu uzrokovati ozljede. Osigurajte dovoljan protok zraka.
- U blizini goriva ili motora nemojte pušiti.
- U blizini goriva ili motora nemojte stavljati vruće predmete.
- Nemojte ulijevati gorivo kada je motor uključen.
- Prije ulijevanja goriva provjerite je li motor hladan.
- Prije ulijevanja goriva polako otvorite čep spremnika goriva i pažljivo isпустite tlak.
- Nemojte ulijevati gorivo u motor u zatvorenom prostoru. Nedovoljan protok zraka može uzrokovati ozljede ili smrt zbog gušenja ili trovanja ugljičnim monoksidom.
- Potpuno zategnite čep spremnika za gorivo. Ako čep spremnika za gorivo nije zategnut, postoji opasnost od požara.

- Prije pokretanja proizvod odmaknite najmanje 3 m / 10' od mjesta punjenja spremnika.
- Spremnik za gorivo nemojte puniti do kraja. Zagrijavanje uzrokuje širenje goriva. Ostavite mjesta pri vrhu spremnika za gorivo.

Sigurnosne upute za održavanje



UPOZORENJE: Prije korištenja proizvoda pročitajte upozoravajuće upute u nastavku.

- Ispušni plinovi iz motora sadrže ugljikov monoksid, vrlo opasan otrovni plin bez mirisa. Proizvod nemojte pokretati u zatvorenom ili uskom prostoru.
- Prije održavanja proizvoda zaustavite motor i odspojite kabel za paljenje od svjeće.
- Tijekom održavanja rezne opreme nosite zaštitne rukavice. Nož je vrlo oštar i lako dolazi do posjekotina.
- Dodatna oprema i izmjene proizvoda bez odobrenja proizvođača mogu uzrokovati ozbiljne ozljede ili smrt. Nemojte mijenjati proizvod. Obavezno upotrebljavajte dijelove s odobrenjem proizvođača.
- Ako se održavanje ne provodi ispravno i redovno, povećava se opasnost od ozljede i oštećenja proizvoda.
- Održavanje provodite isključivo prema uputama iz ovog priručnika za vlasnika. Sva druga servisiranje mora provoditi ovlaštenu servisnu tvrtku Husqvarna.
- Redovno servisirajte proizvod kod ovlaštenog servisera tvrtke Husqvarna.
- Zamijenite oštećene, istrošene ili polomljene dijelove.

Sastavljanje

Sastavljanje ručke

1. Gurnite vijak (A) kroz ručku (B), plastičnu podlošku (C) i potporni nosač ručke (D). (Sl. 16)
 2. Potpuno zategnite maticu (E).
 3. Gurnite vijak (F) kroz podlošku (G) i potporni nosač ručke.
 4. Zategnite kotačić (H) do kraja.
 5. Otvore u upravljaču poravnajte s otvorima na donjoj ručki i umetnite vijke, podloške i kotačiće. Kotačiće zategnite do kraja. (Sl. 17)
 6. Spojite kabele na ručku uz pomoć držača kabela. (Sl. 18)
- Napomena:** Kabeli ne smiju biti previše zategnuti. Prevelika zategnutost može izazvati oštećenja kabela ako se ručica preklopi u položaj za transport.
7. Stavite kabele oko kuke na dnu ručke. (Sl. 19)

Za prilagođavanje visine ručke

1. Otpustite donje vijke. (Sl. 20)
2. Uklonite kotačić, podlošku i vijak s lijeve i s desne strane.
3. Ručku možete postaviti na 2 različite visine. Stavite vijak u jedan od 2 prvrtva s lijeve i s desne strane. (Sl. 21)
4. Ugradite vijke, podloške i kotačiće.
5. Pomičite kotačiće gore u smjeru ručke dok se ne zaustave uz škljocaj. Kotačiće zategnite do kraja. (Sl. 22)

Postavljanje kosilice u položaj za prijevoz

1. Uklonite sakupljač trave.
2. Otpustite kotačiće na gornjoj ručki i preklopite je prema dolje. (Sl. 23)
3. Otpustite donje vijke.

4. Pomaknite kotačiće u donji dio utora na lijevoj i desnoj strani proizvoda. (Sl. 24)
5. Preklopite ručku prema naprijed. (Sl. 25)

Postavljanje proizvoda u položaj za rad

1. Podižite šipku dok se donja ručka ne zaglavi u radni položaj. (Sl. 26)
2. Pomičite kotačiće gore u smjeru ručke dok se ne zaustave uz škljocaj.
3. Kotačiće zategnite do kraja. (Sl. 27)
4. Podignite gornji dio šipke.

5. Kotačiće zategnite do kraja. (Sl. 28)

Montaža sakupljača trave

1. Gornji dio sakupljača trave stavite na donji dio sakupljača trave. (Sl. 29)
2. Okvir sakupljača trave pričvrstite kopčama. (Sl. 30)
3. Podignite stražnji poklopac.
4. Pričvrstite kuke na hvataču trave za gornji rub šasije. (Sl. 31)
5. Donji dio sakupljača trave umetnite u kanal za izbacivanje trave.

Rad

Uvod



UPOZORENJE: Prije rada s proizvodom morate pročitati i usvojiti poglavlje o sigurnosti.

Husqvarna Connect

Husqvarna Connect besplatna je aplikacija za mobilni uređaj. Aplikacija Husqvarna Connect pruža vam dodatne funkcije za proizvod Husqvarna.

- Opširnije informacije o proizvodu.
- Dodatne informacije i pomoć za dijelove i servisiranje proizvoda.

Početak rada sa Husqvarna Connect

1. Preuzmite aplikaciju Husqvarna Connect na svoj mobilni uređaj.
2. Prijavite se na aplikaciju Husqvarna Connect.
3. Pratite upute u aplikaciji Husqvarna Connect kako biste se spojili i registrirali proizvod.

Prije rada s proizvodom

1. Pažljivo pročitajte korisnički priručnik i prije upotrebe dobro usvojite sadržaj.
2. Pregledajte reznu opremu i uvjerite se da je pravilno pričvršćena i podešena. Pogledajte *Za pregled rezne opreme na stranici 143*.
3. Napunite spremnik goriva. Pogledajte *Ulijevanje goriva na stranici 141*.
4. Napunite spremnik za ulje i provjerite razinu ulja. Pogledajte *Provjera razine ulja na stranici 143*.

Ulijevanje goriva

Ako je dostupno, upotrebljavajte benzin s niskim emisijama / alkilatno gorivo. Ako benzin s niskim emisijama / alkilatno gorivo nije dostupno, upotrijebite kvalitetno bezolovni benzin ili olovni benzin s oktanskim brojem koji nije niži od 91.



OPREZ: Nemojte upotrebljavati benzin s oktanskim brojem manjim od 91 RON. Tako možete oštetiti proizvod.



OPREZ: Jedanput godišnje ili po potrebi i češće zamijenite filter za gorivo. Novi filter goriva dostupan je kod zastupnika tvrtke Husqvarna.



OPREZ: Prije ulijevanja goriva obavezno zaustavite motor.



OPREZ: Nemojte upotrebljavati tekućine za pokretanje pod tlakom.

1. Čep spremnika goriva otvarajte polako kako biste otpustili tlak.
2. Punite polako pomoću kantice za gorivo. Ako prolijete gorivo, obrišite ga krpom i pričekajte na sušenje preostalog goriva. (Sl. 32)
3. Očistite područje oko čepa spremnika za gorivo.
4. Potpuno zategnite čep spremnika goriva. Ako čep spremnika goriva nije zategnut, postoji opasnost od požara.
5. Prije pokretanja proizvod odmaknite najmanje 3 m / 10' od mjesta punjenja spremnika.

Za postavljanje visine rezanja

1. Polugu za visinu rezanja pomaknite unatrag kako biste povećali visinu rezanja.
2. Polugu za visinu rezanja pomaknite naprijed kako biste smanjili visinu rezanja. (Sl. 33)



OPREZ: Visinu rezanja nemojte postaviti prenisko. Noževi mogu udariti u tlo ako površina travnjaka nije ravna.

Pokretanje proizvoda

1. Provjerite je li kabel za paljenje priključen na svjećicu.
2. Stanite iza proizvoda.
3. Pritisnite kočnu polugu motora uz upravljač. (Sl. 34)
4. Ručicu užeta pokretača držite desnom rukom.
5. Polako izvlačite užo pokretača dok ne osjetite otpor.
6. Snažno povucite za pokretanje motora.



UPOZORENJE: Nikad ne omotavajte užo za paljenje oko šake.

Upotreba pogona na kotačima

- Gurnite polugu pogona u smjeru upravljača. (Sl. 35)
- Otpustite polugu pogona kako biste odspojili pogon, primjerice kada se približavate prepreci.
- Prije povlačenja proizvoda unatrag odspojite pogon i gurnite proizvod prema naprijed za pribl. 10 cm.

Održavanje

Uvod



UPOZORENJE: Prije održavanja morate pročitati i usvojiti poglavlje o sigurnosti.

Za sve radove servisiranja i održavanja na proizvodu potrebna je posebna obuka. Jamčimo dostupnost profesionalnih popravaka i servisa. Ako vaš distributer nije serviser, od njega zatražite informacije o najbližem serviseru.

Zaustavljanje proizvoda

- Kako biste zaustavili samo pogon, otpustite polugu pogona.
- Za zaustavljanje motora otpustite kočnu polugu motora.

Za dobar ishod

- Uvijek upotrebljavajte oštar nož. Tup nož daje nepravilne rezultate, a rezana površina trave požuti. Oštar nož također troši manje energije od tupog.
- Nemojte rezati više od 1/4 od duljine trave. Prvo kosite s visoko postavljenom visinom za rezanje. Provjerite rezultat i spustite visinu rezanja na prihvatljivu razinu. Ako je trava vrlo dugačka, vozite polako i po potrebi kosite 2 puta.
- Svaki put kosite u drugom smjeru kako biste spriječili nastanak traka na travnjaku.

Raspored održavanja



OPREZ: Pri naginjanju proizvoda filter zraka nemojte nasloniti na tlo nego ga podignite u zrak. Opasnost od oštećenja motora.

Intervali održavanja izračunati su za dnevnu upotrebu proizvoda. Intervali se mijenjaju ako se proizvod ne upotrebljava svakodnevno.

Za održavanja označena s * pogledajte upute u *Sigurnosne upute za proizvod na stranici 139.*

| Održavanje | Dnevno | Mjesečno | Svake sezone |
|---|--------|----------|--------------|
| Provedite opći pregled | X | | |
| Provjerite razinu ulja | X | | |
| Zamijenite ulje (prvi put nakon 5 h upotrebe, potom nakon svakih 50 h upotrebe) ⁷¹ | | | X |
| Očistite proizvod | X | | |
| Pregledajte reznu opremu | X | | |
| Pregledajte pokrov noža * | X | | |
| Pregledajte ručku kočnice motora * | X | | |
| Pregledajte prigušivač * | | X | |
| Pregledajte svjećicu. Ako je potrebno, očistite ili zamijenite svjećicu | | | X |

⁷¹ Ako se proizvod pogoni pod velikim opterećenjem ili pri visokim temperaturama okoline, motorno ulje zamijenite svakih 25 sati.

| Održavanje | Dnevno | Mjesečno | Svake sezone |
|---|--------|----------|--------------|
| Pregledajte filtar zraka | X | | |
| Očistite filtar zraka ⁷² | | X | |
| Zamijenite filtar zraka | | | X |
| Pregledajte sustav goriva | | | X |
| Očistite rashladna rebra na cilindru | | X | |
| Pregledajte i podesite sajlju spojke (LC 140SP) | | | X |

Za opći pregled

- Provjerite jesu li sve matice i vijci na proizvodu pravilno pritegnuti.

Za vanjsko čišćenje proizvoda

- Četkom uklonite lišće, travu i onečišćenja.
- Provjerite prohodnost dovoda zraka na vrhu motora.
- Za čišćenje proizvoda nemojte koristiti visokotlačni stroj za pranje.
- Ako proizvod čistite vodom, nemojte izlijevati vodu izravno na motor.

Za čišćenje unutarnje površine pokrova noža

1. Ispraznite spremnik za gorivo.
2. Nagnite proizvod. Svječica mora biti usmjerena prema gore.



OPREZ: Ako proizvod položite tako da je filtar zraka na donjoj strani, možete oštetiti motor.

3. Unutarnju površinu pokrova noža isperite vodom.

Za pregled rezne opreme



UPOZORENJE: Odvojite kabel za paljenje od svječice kako biste spriječili slučajno pokretanje.



UPOZORENJE: Tijekom održavanja rezne opreme nosite zaštitne rukavice. Nož je vrlo oštar i lako dolazi do posjekotina.

1. Pregledajte ima li na reznoj opremi oštećenja ili pukotina. Oštećenu reznu opremu obavezno zamijenite.
2. Pregledajte nož kako biste ustanovili je li oštećen ili tup.

⁷² Čistite češće ako ste u prašnjavim uvjetima ili se u zraku nalaze ostaci. Ako je filtar zraka vrlo prljav, zamijenite ga.

Napomena: Nakon oštrenja nož je nužno uravnotežiti. Nož naoštrite, zamijenite i uravnotežite u servisnom centru. Ako se pri udaru u prepreku proizvod zaustavi, zamijenite oštećeni nož. Procjenu za oštrenje ili zamjenu noža prepustite servisnom centru.

Zamjena noža

1. Blokirate nož drvenim blokom. (Sl. 36)
2. Uklonite vijak noža.
3. Uklonite nož.
4. Provjerite jesu li nosač noža i vijak noža neoštećeni.
5. Pregledajte vratilo motora kako biste se uvjerali da je neoštećeno.
6. Zaobljene rubove novog noža pri postavljanju usmjerite prema pokrovu noža. (Sl. 37)
7. Nož mora biti poravnat sa središtem vratila motora.
8. Blokirate nož drvenim blokom. Postavite elastični rasječni prsten i zategnite vijak i podlošku na zatezni moment od 45–60 Nm. (Sl. 38)
9. Ručno povucite nož u krug kako biste provjerili okreće li se slobodno.



UPOZORENJE: Nosite rukavice za teške uvjete rada. Nož je vrlo oštar i lako dolazi do posjekotina.

10. Pokrenite proizvod kako biste ispitali nož. Ako nož nije ispravno pričvršćen, proizvod vibrira ili ishod košenja nije zadovoljavajući.

Provjera razine ulja



OPREZ: Preniska razina ulja može uzrokovati oštećenje motora. Prije pokretanja proizvoda provjerite razinu ulja.

1. Postavite proizvod na ravno tlo.
2. Skinite čep spremnika za ulje s pričvršćenom šipkom za mjerenje ulja.
3. Očistite ulje sa šipke za mjerenje razine ulja.

- Šipku za mjerenje ulja u potpunosti umetnite u spremnik za ulje kako biste dobili ispravan prikaz razine ulja.
- Uklonite mjernu šipku.
- Provjerite razinu ulja na šipci za mjerenje ulja.
- Ako je razina ulja niska, napunite motornim uljem i ponovno provjerite razinu ulja.

Napomena: Upotrijebite lijek za ulje kako biste spriječili prosipanje.

Zamjena motornog ulja



UPOZORENJE: Motorno ulje vrlo je vruće neposredno nakon zaustavljanja motora. Prije ispuštanja motornog ulja pričekajte da se ohladi. Ako motorno ulje prolijete po koži, očistite sapunom i vodom.

(Sl. 39)

Napomena: Upotrebljavajte motorno ulje za 4-taktne motore. Upotrebljavajte odgovarajuću viskoznošću za temperaturu okoline.

- Proizvod upotrebljavajte dok ne ispraznite spremnik za gorivo.
- Odvojite kabel za paljenje od svjeće.
- Uklonite čep spremnika za ulje.
- Ispustite motorno ulje iz spremnika za ulje s pomoću pumpe za ulje (dodatna oprema).
- Napunite novim motornim uljem preporučenim u *Tehnički podaci na stranici 146*.
- Provjerite razinu ulja. Pogledajte *Provjera razine ulja na stranici 143*.

Čišćenje pjenastog plastičnog filtra

- Skinite poklopac filtra zraka i izvadite pjenasti plastični filter.
- Pjenasti plastični filter očistite sapunom i vodom.
- Išperite pjenasti plastični filter čistom vodom.
- Istisnite vodu iz pjenastog plastičnog filtra i pustite ga da se osuši.



OPREZ: Nemojte upotrebljavati stlačeni zrak. Njime možete oštetiti pjenasti plastični filter.

- Podmažite pjenasti plastični filter motornim uljem.
- Pjenasti plastični filter pritisnite čistom krpom kako biste uklonili višak ulja.

- Ponovno ugradite filter zraka. Provjerite je li filter zraka u potpunosti brtvi uz nosač filtra zraka.
- Ponovno ugradite poklopac filtra zraka.

Pregled svjeće



OPREZ: Uvijek koristite preporučenu vrstu svjeće. Neodgovarajuća vrsta svjeće može oštetiti proizvod.

- Ako motor nema snage, teško se pokreće ili ne radi ispravno u praznom hodu, pregledajte svjeću.
- Za smanjenje opasnosti od nepoželjnog materijala na elektrodama svjeće pratite sljedeće upute:
 - Provjerite je li broj okretaja pri praznom hodu pravilno podešen.
 - Provjerite ispravnost mješavine goriva.
 - Provjerite je li filter zraka čist.
- Ako je svjeća prljava, očistite je i provjerite ispravnost zazora elektroda, pogledajte *Tehnički podaci na stranici 146*. (Sl. 40)
- Ako je potrebno, zamijenite svjeću.

Pregled sustav goriva

- Pregledajte čep spremnika za gorivo i brtvu čepa spremnika za gorivo i uvjerite se kako su neoštećeni.
- Pregledajte crijevo goriva kako biste se uvjerali da nema propuštanja. Ako je crijevo goriva oštećeno, zamijenite ga kod serviser.

Podešavanje sajle spojke (LC 140SP)

U sljedećim situacijama nužno je smanjiti duljinu sajle spojke:

- Pogon kotača ne uključuje se kada povučete polugu pogona ili ručicu za regulaciju brzine.
- Proizvod se po uključanju pogona kotača kreće sporo.

U sljedećim situacijama nužno je povećati duljinu sajle spojke:

- Proizvod se kreće kada pogon kotača nije uključen.
- Podesite sajlu spojke.
 - Za smanjenje duljine sajle spojke vijak za podešavanje okrećite u smjeru suprotnom od kazaljke na satu.
 - Za povećanje duljine sajle spojke vijak za podešavanje okrećite u smjeru kazaljke na satu. (Sl. 41)

Ako nakon podešavanja i dalje niste zadovoljni pogonom proizvoda, obratite se servisnom distributeru

Rješavanje problema na motoru

| Problem | Mogući uzrok | Rješenje |
|---|--|--|
| Motor se ne pokreće. | Kabel za paljenje nije pravilno spojen. | Priključite kabel za paljenje na svjećicu. |
| | Prazan je spremnik za gorivo. | Napunite spremnik za gorivo pravilnom vrstom goriva. |
| | Gorivo je staro. | Ispraznite spremnik za gorivo i rasplinjač. Napunite ga novim gorivom. |
| | Prljavština u rasplinjaču ili dovodu goriva. | Očistite rasplinjač i/ili dovod goriva. |
| | Svjećica nije ispravna. | Prilagodite razmak elektroda, očistite ili zamijenite svjećicu. |
| | Na svjećici ima goriva. | Očistite svjećicu. |
| Motor se ne zaustavlja. | Mehanizam za zaustavljanje nije ispravan. | Odspojite kabel za paljenje od svjećice. Popravak proizvoda prepustite odobrenom serviseru. |
| Motor ne radi neometano. | Kabel za paljenje nije pravilno spojen. | Priključite kabel za paljenje na svjećicu. |
| | Ima prljavštine u dovodu goriva ili je gorivo istekao rok. | Očistite vod za gorivo. Napunite spremnik za gorivo novim gorivom odgovarajuće vrste. |
| | Blokiran je čep spremnika za gorivo. | Očistite čep spremnika za gorivo. |
| | Ima vode ili prljavštine u sustavu goriva. | Ispraznite spremnik za gorivo. Napunite spremnik za gorivo novim gorivom odgovarajuće vrste. |
| | Filtar zraka je prljav. | Očistite filtari zraka. |
| | Rasplinjač se mora podesiti. | Podešavanje rasplinjača prepustite serviseru. |
| Motor se previše zagrijava. | Preniska je razina ulja u motoru. | Nadolijte motorno ulje. |
| | Nije dovoljan protok zraka. | Očistite filtari zraka i kućište filtra zraka. |
| | Rasplinjač se mora podesiti. | Podešavanje rasplinjača prepustite serviseru. |
| Kada motor radi na visokoj brzini, dolazi do zatajenja motora. | Premalen je razmak između elektroda u svjećici. | Prilagodite razmak između elektroda. |
| Motor tijekom uobičajenog opterećenja proizvodi neobične zvukove. | Neispravna vrsta goriva. | Ispraznite spremnik za gorivo i rasplinjač. Napunite ga novim gorivom. Pogledajte <i>Ulijevanje goriva na stranici 141</i> . Ako se problem nastavi pojavljivati, obratite se lokalnom servisnom distributeru. |

| Problem | Mogući uzrok | Rješenje |
|---|--|---|
| Motor ne radi neometano u praznom hodu. | Svjeća je prljava, neispravna ili je prevelik razmak između elektroda. | Prilagodite razmak elektroda ili zamijenite svjećicu. |
| | Rasplinjač se mora podesiti. | Podesite rasplinjač. |
| | Filtar zraka je prljav. | Očistite filtarski zrak. |

Prijevoz, spremanje i zbrinjavanje

Prijevoz i skladištenje

- Za prijevoz i skladištenje proizvoda i goriva uvjerite se kako nema propuštanja ili isparavanja. Iskre ili otvoren plamen, primjerice od električnih uređaja ili bojlera, mogu uzrokovati požar.
- Za prijevoz i skladištenje goriva obavezno upotrebljavajte odobrene spremnike.
- Prije dugotrajnog skladištenja proizvoda ispraznite spremnik za gorivo. Zbrinite gorivo na prikladnoj lokaciji za zbrinjavanje.
- Čvrsto osigurajte proizvod za prijevoz kako biste spriječili oštećenja i nezgode.
- Proizvod čuvajte u zaključanom prostoru kako biste onemogućili pristup djeci ili osobama bez odobrenja.

- Proizvod skladištite u suhom prostoru bez mraza.

Odlaganje

- Poštujte lokalne zahtjeve za reciklažu i važeće propise.
- Sve kemikalije, poput motornog ulja ili goriva, zbrinite u servisnom centru ili na prikladnoj lokaciji za zbrinjavanje.
- Ako proizvod više ne upotrebljavate, pošaljite ga distributeru tvrtke Husqvarna ili ga zbrinite na lokaciji za reciklažu.

Tehnički podaci

Tehnički podaci

| | LC 140P | LC 140SP |
|--|---|---|
| Motor | | |
| Marka | Husqvarna | Husqvarna |
| Naziv modela motora | HS 123A | HS 123A |
| Vrsta motora | Jednociлиндриčni, četverotaktni, prisilno atmosfersko hlađenje, OHV | Jednociлиндриčni, četverotaktni, prisilno atmosfersko hlađenje, OHV |
| Zapremnina, cm ³ | 123 | 123 |
| Brzina, o/min | 3000 | 3000 |
| Nazivna izlazna snaga motora, kW ⁷³ | 1,95 | 1,95 |
| Sustav paljenja | | |
| Svjećica | Husqvarna HQT-7 | Husqvarna HQT-7 |

⁷³ Navedena nazivna snaga motora prosječna je neto izlazna snaga (pri navedenom broju okretaja u minuti) tipičnog serijskog motora za određeni model mjerena prema normi SAE J1349/ISO1585. Vrijednost se može razlikovati za motore za masovnu proizvodnju. Stvarna izlazna snaga motora ugrađenog u krajnji proizvod ovisi o radnoj brzini, uvjetima u okolišu i drugim vrijednostima.

| | LC 140P | LC 140SP |
|--|---------------------------------|---------------------------------|
| Razmak elektroda, mm | 0,7 – 0,8 | 0,7 – 0,8 |
| Sustav za gorivo i podmazivanje | | |
| Vrsta podmazivanja motora | Raspršivanje | Raspršivanje |
| Zapremnina spremnika goriva, litre | 0,9 | 0,9 |
| Zapremnina spremnika ulja, litre | 0,5 | 0,5 |
| Motorno ulje ⁷⁴ | Husqvarna SAE 30 | Husqvarna SAE 30 |
| Masa | | |
| S praznim spremnicima, kg | 25,2 | 26,8 |
| Emisije buke⁷⁵ | | |
| Razina jačine zvuka, izmjerena, dB(A) | 93 | 93 |
| Razina jačine zvuka, zajamčena, L _{WA} dB (A) | 95 | 95 |
| Razine buke⁷⁶ | | |
| Razina tlaka zvuka na uhu rukovatelja, dB(A) | 81 | 81 |
| Razine vibracije⁷⁷ | | |
| Vibracije na upravljaču, m/s ² | 5,6 | 7,6 |
| Oprema za rezanje | | |
| Visina rezanja, mm | 25 – 75 | 25 – 75 |
| Širina rezanja, mm | 400 | 400 |
| Rezni sustav | Sakupljač / stražnje pražnjenje | Sakupljač / stražnje pražnjenje |
| Noževi – standardni | Sakupljač 5873863-10 | Sakupljač 5873863-10 |
| Zapremnina sakupljača trave, litre | 50 | 50 |
| Pogon | | |
| Brzina samostalnog hoda, km/h | – | 4 |

⁷⁴ Ako se ulje SAE-30 primjenjuje na temperaturama nižim od 5 °C, postoji opasnost od nedovoljnog podmazivanja motora. To može uzrokovati oštećenje motora. Odgovarajuće ulje za niske temperature potražite u *Zamjena motornog ulja na stranici 144*.

⁷⁵ Emisije buke u okoliš izmjerene kao jakost zvuka (L_{WA}) u skladu s EZ direktivom 2000/14/EZ.

⁷⁶ Navedeni podaci za razinu pritiska zvuka uključuju tipično statističko raspršenje (standardno odstupanje) od 1,2 dB (A).

⁷⁷ Podaci o razini vibracije pokazuju tipičnu statističku disperziju (standardnu devijaciju) od 0,2 m/s².

Izjava o sukladnosti EC

EZ izjava o sukladnosti

Husqvarna AB, SE-561 82 Huskvarna, Švedska, tel:
+46-36-146500, izjavljuje kako kosilice **Husqvarna**
LC 140P, LC 140SP iz godine 2020 i novije udovoljavaju
zahtjevima DIREKTIVE VIJEĆA:

- od 8. lipnja 2011. o "ograničenju uporabe određenih opasnih tvari" **2011/65/EU**
- od 17. svibnja 2006. „o strojevima“ **2006/42/EZ**
- od 26. veljače 2014. „o elektromagnetskoj kompatibilnosti“ **2014/30/EU**
- od 8. svibnja 2000. „o emisijama buke u okoliš“ **2000/14/EZ**

Informacije o emisiji buke potražite u tehničkim podacima.

Primijenjeni su sljedeći standardi:

EN ISO 5395-1:2013, EN ISO 5395-1:2013/A1, EN ISO 5395-2:2013, EN ISO 5395-2:2013/A1:2016, EN ISO 5395-2:2013/A2:2017, EN ISO 14982:2009

Osim ako nije navedeno drugačije, prethodno navedene norme zadnje su objavljene verzije.

Prijavljeno tijelo: **0036, TÜV SÜD Industrie Service GmbH, Westendstrasse 199, 80686 München, Germany** provelo je procjenu sukladnosti prema prilogu VI Direktive 2000/14/EC.

Huskvarna, 2020-10-20



Claes Losdal, razvojni menadžer/vrtni proizvodi
(ovlašteni predstavnik tvrtke Husqvarna AB i nositelj
odgovornosti za tehničku dokumentaciju)

TARTALOMJEGYZÉK

| | | | |
|--------------------|-----|--|-----|
| Bevezető..... | 149 | Motorral kapcsolatos hibaelhárítás..... | 157 |
| Biztonság..... | 150 | Szállítás, tárolás és ártalmatlanítás..... | 158 |
| Összeszerelés..... | 152 | Műszaki adatok..... | 159 |
| Üzemeltetés..... | 153 | EK megfelelőségi nyilatkozat..... | 161 |
| Karbantartás..... | 154 | | |

Bevezető

Termékleírás

A termék egy gyalog kísért forgóképes fűnyíró. A fű egy fűgyűjtőben kerül gyűjtésre. Vegye ki a fűgyűjtőt a fű hátsó ürítéséhez.

A termék áttekintése

(ábra 1)

1. Fogantyú
2. Kerékajátás kapcsoló kar (LC 140SP)
3. Berántókötél fogantyú
4. Fűgyűjtő
5. Üzemanyagtartály
6. Légszűrő
7. Gyújtógyertya
8. Vágóburkolat
9. Kipufogódob
10. Olajtartály sapkája
11. Vágási magasságot szabályozó kar
12. Hátsó burkolat
13. Fékkar
14. Szimbólumok
15. Alsó fogantyú szerelvénye
16. Alsó fogantyú
17. Kezelői kézikönyv
18. Olajtölcsér

A termék szimbólumai

- (ábra 2) FIGYELMEZTETÉS! Körültekintően járjon el, és megfelelően használja a terméket. A gép a kezelő és mások súlyos sérülését és halálát okozhatja.
- (ábra 3) Olvassa el figyelmesen a használati utasítást, és győződjön meg róla, hogy megértette azt, mielőtt a terméket használatba veszi.
- (ábra 4) Legyen óvatos a kivetett és visszapattanó tárgyakkal.
- (ábra 5) A személyeket és állatokat tartsa biztonságos távolságban a munkaterülettől.

Rendeltetésszerű használat

A termék fűnyírásra szolgál. Ne használja a terméket egyéb feladatokra.

- (ábra 6) Figyelmeztetés: Tartsa távol kezét és lábát a forgó késektől.
- (ábra 7) Figyelmeztetés: Tartsa távol kezét és lábát a forgó alkatrészekről.
- (ábra 8) Javítás vagy karbantartás előtt állítsa le a motort, és vegye le a gyújtáskábelt.
- (ábra 9) Ez a termék megfelel a vonatkozó EK irányelveknek.
- (ábra 10) Az Európai Közösség irányelvének megfelelő környezeti zajkibocsátás. A termék kibocsátási adatai megtalálhatók a Műszaki adatok című fejezetben és a címkén.
- (ábra 11) Tűzveszély.
- (ábra 12) Ne lélegezzen be a kipufogógázokat. A motorból származó kipufogógázok szén-monoxidot tartalmaznak, amely szagtalan, mérgező, rendkívül veszélyes gáz. Ne indítsa be a motort beltérben vagy zárt helyen.
- (ábra 13) Forró felület.
- (ábra 14) Töltsen fel a motort olajjal a termék beindítása előtt.

Megjegyzés: A terméken szereplő többi jelölés/címke néhány piac specifikus vizsgáztatási követelményeire vonatkozik.

Euro V. kibocsátási norma



FIGYELMEZTETÉS: A motor módosítása érvényteleníti a termékre vonatkozó európai uniós típusjóvá hagyását.

Termékszavatosság

A termékszavatosságra vonatkozó jogszabályok értelmében nem vagyunk felelősek a termékeink által okozott károkért az alábbi esetekben:

- a termék javítását helytelenül végezték;
- a termék javítása nem a gyártótól származó vagy általa jóváhagyott alkatrészekkel történt;
- a terméket nem a gyártótól származó vagy általa jóváhagyott kiegészítővel szerelték fel;
- a termék javítását nem hivatalos szakszerviz vagy jóváhagyott egyéb szerviz végezte.

Biztonság

Biztonsági meghatározások

A figyelmeztetések, óvintézkedések és megjegyzések a használati utasítás kiemelten fontos részeire hívják fel a figyelmet.



FIGYELMEZTETÉS: Akkor használatos, ha a kézikönyv utasításainak be nem tartása esetén fennáll a kezelő vagy a közelben tartózkodók sérülésének vagy halálának veszélye.



VIGYÁZAT: Akkor használatos, ha a kézikönyv utasításainak be nem tartása esetén fennáll a vagyoni kár, illetve a termék vagy a környező terület károsodásának veszélye.

Megjegyzés: További információt biztosít az adott helyzetben szükséges tennivalókról.

Általános biztonsági utasítások



FIGYELMEZTETÉS: A termék használata előtt olvassa el az alábbi figyelmeztetéseket.

- Ez a termék veszélyes, ha helytelenül használja, vagy ha nem vigyáz. A biztonsági utasítások be nem tartása sérüléssel vagy halállal járhat.
- A termék működés közben elektromágneses mezőt hoz létre. Ez bizonyos körülmények esetén hatással lehet az aktív vagy passzív orvosi implantátumokra. A súlyos vagy halálos sérülés kockázatának csökkentése érdekében azt javasoljuk, hogy az orvosi implantátumot használó személyek a termék alkalmazása előtt kérjék ki orvosuk vagy az orvosi implantátum gyártójának tanácsát.
- Mindig megfontoltan és előrelátóan cselekedjen. Ha nem biztos benne, hogyan kell a terméket speciális helyzetben üzemeltetni, akkor hagyja abba a tevékenységet, és beszéljen a Husqvarna kereskedőjével a folytatás előtt.

- Ne feledje, hogy a kezelő felelős a másokat és a mások tulajdonát érő balesetekért is.
- Tartsa tisztán a terméket. Ügyeljen arra, hogy a jelek és címkék jól olvashatóak legyenek.
- Ne engedje, hogy használják a terméket, amíg nem gondoskodott róla, hogy elolvassák és megértették a használati utasítás tartalmát.
- A terméket gyermekek nem használhatják.
- Tartsa távol a gyermekeket a munkavégzési területtől. Egy felelős felnőttnek mindig jelen kell lennie.
- Ne használja a terméket olyan személy, aki nem ismeri a kezelési utasítást.
- Csökkent fizikai vagy szellemi képességekkel rendelkező személy csak felügyelet mellett használhatja a terméket. Egy felelős felnőttnek mindig jelen kell lennie.
- Ne használja a terméket, ha fáradt, beteg, illetve alkohol, drog vagy gyógyszer hatása alatt áll. Ez negatív hatással van a látására, az éberségére, a koordinációjára és az ítéliképességére.
- Ne használja a terméket, ha hibás.
- Ne változtassa meg a terméket, vagy ne használja, ha feltehetőleg valaki más változtatásokat hajtott végre rajta.
- Ne módosítson a motorfordulatszám-szabályozás beállításán.

A munkaterület biztonsága



FIGYELMEZTETÉS: A termék használata előtt olvassa el az alábbi figyelmeztetéseket.

- A termék használata előtt távolítsa el a különböző tárgyakat, például ágakat, gallyakat és köveket a munkaterületről.
- A vágószerszereknek ütköző tárgyak elrepülve személyek vagy tárgyak sérülését okozhatják. A közelben állókat és az állatokat tartsa biztonságos távolságban a terméktől.
- Ne használja a terméket rossz időben, például ködben, esőben, erős szélben, nagy hidegben, villámás veszélyes esetén. A termék rossz időjárási körülmények között vagy nyirkos, nedves helyeken

történi használata fásasztó. A rossz időjárás veszélyes körülményeket, például csúszós felületeket okozhat.

- Ügyeljen az olyan személyekre, tárgyakra és helyzetekre, amelyek akadályozzák a termék biztonságos üzemeltetését.
- Ügyeljen az olyan akadályokra, mint a gyökerek, kövek, gallyak, gödrök és árkok. A magas fű akadályokat rejt.
- A lejtőkön levő fű nyírása veszélyes lehet. Ne használja a terméket 15 foknál meredekebb lejtőn.
- Az emelkedőknél/lejtőkönél mindig oldalirányban működtesse a terméket. Ne haladjon felfelé vagy lefelé.
- Legyen körültekintő, ha olyan sarkok és tárgyak közelébe ér, amelyek gátolják a tiszta kilátást.

Munkabiztonság



FIGYELMEZTETÉS: A termék használata előtt olvassa el az alábbi figyelmeztetéseket.

- Ezt a terméket kizárólag füves pázsitok nyírására használja. A termék más feladatokra történő használata nem megengedett.
- Használjon személyi védőfelszerelést. Lásd: *Személyi védőfelszerelés 151. oldalon.*
- Mindenképpen legyen tisztában azzal, hogy vész helyzet esetén hogyan kell gyorsan leállítani a motort.
- Soha ne indítsa el a motort zárt térben vagy gyúlékony anyag közelében. A motorból kijutó kipufogó füstök forrók és szikrákat tartalmazhatnak, amelyek tüzet okozhatnak.
- Ne használja a készüléket, hacsak a kés és az összes borítás nincs megfelelően rögzítve. A nem megfelelően rögzített kés kilazulhat, és személyi sérülést okozhat.
- Ügyeljen arra, hogy a kés ne ütközzön olyan tárgyakba, mint például kövek és gyökerek. Ez kárt tehet a késben, és meghajlíthatja a motor tengelyét. A meghajlott tengely erős rezgést okoz, és így nagyon nagy a kockázata annak, hogy a kés meglazul.
- Ha a kés valamilyen tárgynak ütközik vagy rezegni kezd, azonnal állítsa le a terméket. Húzza ki a gyújtáskábelt a gyújtógyertyából. Ellenőrizze, hogy a termék sérülésmentes-e. Javítsa meg a sérüléseket, vagy végeztesse el a szakszervizzel a javításokat.
- Amikor a motor működésben van, soha ne rögzítse tartósan a fékkart a fogantyúhoz.
- Helyezze a terméket stabil, vízszintes felületre, és kapcsolja be. Gondoskodjon arról, hogy a kés ne ütközzön se a talajba, se egyéb tárgyakba.
- Mindig maradjon a termék mögött, amikor működteti.
- A termék üzemeltetése során minden kerék legyen a talajon, és tartsa két kézzel a fogantyút. Tartsa távol kezét és lábát a forgó késektől.

- Ne döntse meg a terméket, ha a motor jár.
- Legyen óvatos, amikor hátrafelé húzza a terméket.
- Soha ne emelje fel a terméket, ha a motor jár. Ha fel kell emelnie a terméket, előbb kapcsolja ki a motort, és válassza le a gyújtásvezetékét a gyújtógyertyáról.
- Ne sétáljon hátrafelé a termék működtetése során.
- Állítsa le a motort, ha olyan területeken halad át, ahol nincs fű, például kavicsos, kövezett és aszfaltozott járdák.
- Ne fusson a termékkel, ha a motor jár. Mindig sétáljon a termék működtetése során.
- Mielőtt megváltoztatná a vágási magasságot, állítsa le a motort. Soha ne végezzen beállításokat, amikor a motor jár.
- Soha ne hagyja a terméket felügyelet nélkül járó motor esetén. Állítsa le a motort és győződjön meg arról, hogy a vágószerkezet nem forog.

Biztonsági utasítások az üzemeltetéshez

Személyi védőfelszerelés



FIGYELMEZTETÉS: A termék használata előtt olvassa el az alábbi figyelmeztetéseket.

- A személyi védőfelszerelés nem küszöböli ki teljes mértékben a sérülés kockázatát, de csökkenti a sérülés mértékét, ha bekövetkezik a baleset. A megfelelő felszerelés kiválasztásában kérje a kereskedő segítségét.
- 85 dB-nél magasabb zajszint esetén használjon hallásvédőt.
- Használjon nagy teherbírású, csúszásmentes bakancsot vagy cipőt. Ne használja nyitott cipőben vagy meztláb a terméket.
- Viseljen vastag, hosszú szárú nadrágot.
- Viseljen védőkesztyűt, például a vágószerkezet felhelyezésekor, ellenőrzésekor vagy tisztításakor.

Biztonsági eszközök a terméken



FIGYELMEZTETÉS: A termék használata előtt olvassa el az alábbi figyelmeztetéseket.

- Ne használjon olyan terméket, amelynek hibásak a biztonsági eszközei.
- Rendszeresen ellenőrizze a biztonsági eszközöket. A biztonsági eszközök meghibásodása esetén vegye fel a kapcsolatot a Husqvarna szervizműhellyel.

A vágóburkolat ellenőrzése

A vágóburkolat csökkenti a termék rezgését és a kés okozta sérülések kockázatát.

- Vizsgálja meg a vágóburkolatot, hogy nincs rajta sérülés, például repedés.

A fékkar ellenőrzése

A fékkar a motor leállítására szolgál. Ha elengedi a fékkart, a motor leáll.

- Indítsa be a motort, majd engedje el a fékkart. Ha a motor 3 másodpercen belül nem áll le, állítsa be egy hivatalos Husqvarna szakszervizben a motorféket. (ábra 15)

Kipufogódob

A kipufogódob minimálisra csökkenti a zajszintet, és elvezeti a kipufogógázokat a kezelő közeléből.

Hiányzó vagy hibás kipufogódob esetén ne használja a terméket. A hibás kipufogódob növeli a zajszintet és a tűzveszélyt.



FIGYELMEZTETÉS: A kipufogódob erősen felhevül használat közben és után, illetve, amikor a motor alapjáraton működik. Legyen óvatos gyúlékony anyagok és/vagy gőzök közelében a tűzveszély elkerülése érdekében.

Üzemanyaggal kapcsolatos biztonság



FIGYELMEZTETÉS: A termék használata előtt olvassa el az alábbi figyelmeztetéseket.

- Ne indítsa be a terméket, ha üzemanyag vagy motorolaj került rá. Távolítsa el a nem kívánt üzemanyagot/motorolajat és hagyja megszáradni a terméket.
- Ha a kiömlött üzemanyag a ruhájára csöppent, öltözzön át azonnal.
- Ügyeljen arra, hogy ne kerüljön üzemanyag a testére, mert az sérülést okozhat. Ha üzemanyag került a testére, távolítsa el szappannal és vízzel.
- Ne indítsa be a motort, ha szivárog a motor. Vizsgálja meg rendszeresen a motort szivárgás szempontjából.
- Bánjon óvatosan az üzemanyaggal. Az üzemanyag gyúlékony, a gőzei robbanásveszélyesek, ezért súlyos, akár végzetes sérülést is okozhat.
- Ne lélegezze be az üzemanyag gőzeit, egészségkárosodást okozhatnak. Gondoskodjon megfelelő légáramlásról.
- Az üzemanyag vagy a motor közelében ne dohányozzon.

- Az üzemanyag vagy a motor közelébe ne tegyen forró tárgyakat.
- Ne tankoljon járó motornál.
- Várja meg a tankolással, amíg lehül a motor.
- Tankolás előtt nyissa meg lassan a tanksapkát, engedje ki óvatosan a nyomást.
- Ne beltérben tankoljon. A nem elegendő mértékű légáramlás fulladás vagy szén-monoxid miatt egészségkárosodást, akár halált is okozhat.
- Húzza meg teljesen az üzemanyagtartály sapkáját. Ha az üzemanyagtartály sapkája nincs meghúzva, tűzveszélyt okozhat.
- Beindítás előtt vigye a terméket legalább 3 m távolságra a tankolás helyétől.
- Ne töltsen teljesen tele az üzemanyagtartályt. Hő hatására az üzemanyag kitágul. Hagyjon egy kis helyet az üzemanyagtartály tetejénél.

Biztonsági utasítások a karbantartáshoz



FIGYELMEZTETÉS: A termék használata előtt olvassa el az alábbi figyelmeztetéseket.

- A motorból származó kipufogógázok szén-monoxidot tartalmaznak, amely szagtalan, mérgező, rendkívül veszélyes gáz. Ne indítsa be a motort beltérben vagy zárt helyen.
- A termék karbantartása előtt állítsa le a motort, és húzza ki a gyújtáskábelt a gyújtógyertyából.
- A vágószerszemet karbantartásokor használjon védőkesztyűt. A kés nagyon éles, könnyen megvághatja magát.
- A gyártó által nem jóváhagyott tartozékok és változtatások súlyos sérülést vagy halált okozhatnak. Ne végezzen módosításokat a terméken. Csak a gyártó által jóváhagyott tartozékokat használjon.
- Ha a karbantartást nem megfelelően és rendszeresen végezték el, nő a termék sérülésének és károsodásának kockázata.
- Csak a felhasználói kézikönyvben megadott karbantartást végezze el. Minden egyéb szervizelés csak hivatalos Husqvarna szervizműhely végezhet.
- Végeztesse a termék rendszeres szervizelését hivatalos Husqvarna szervizműhellyel.
- A sérült, kopott vagy törött alkatrészt cserélje ki.

Összeszerelés

A fogantyú összeszerelése

1. Nyomja át a csavart (A) a fogantyún (B), a műanyag alátétlen (C) és a fogantyú tartókonvolján (D). (ábra 16)
2. Húzza meg teljesen az anyát (E).

3. Nyomja át a csavart (F) az alátétlen (G) és a fogantyú tartókonvolján.
4. Húzza meg teljesen a gombot (H).
5. Igazítsa össze a fogantyú nyílásait az alsó fogantyú nyílásaival, majd rögzítse a csavarokat, alátéteket és

- gombokat. Teljesen húzza meg a gombokat. (ábra 17)
- A kábelartók segítségével rögzítse a kábeleket a fogantyúhoz. (ábra 18)

Megjegyzés: Győződjön meg róla, hogy a kábelek nem túl feszesek. Ha a kábelek túlságosan feszesek, a fogantyú szállítási helyzetbe történő összehajtásakor megsérülhetnek.

- Helyezze a kábeleket a fogantyú aljánál lévő horogra. (ábra 19)

A fogantyúmagasság beállítása

- Lazítsa meg az alsó csavarokat. (ábra 20)
- Távolítsa el a bal és jobb oldalon található gombokat, alátéteket és csavarokat.
- A fogantyú 2 különböző magasságba állítható. Helyezze a csavarokat a 2 lyuk egyikébe a bal és jobb oldalon. (ábra 21)
- Rögzítse a csavarokat, alátéteket és gombokat.
- A gombokat ütközésig csúsztassa a fogantyú irányába, amíg egy kattánó hangot nem hall. Teljesen húzza meg a gombokat. (ábra 22)

A termék szállítási pozícióba állítása

- Vegye ki a fűgűjtőt.

- Lazítsa meg a gombokat a felső fogantyún, majd hajtsa le a fogantyút. (ábra 23)
- Lazítsa meg az alsó csavarokat.
- A gombokat a termék bal és jobb oldalán is csúsztassa a hornyok alsó végébe. (ábra 24)
- Hajtsa előre a fogantyút. (ábra 25)

A termék működési pozícióba állítása

- Emelje fel a fogantyút, amíg az alsó fogantyú működési helyzetben nem rögzül. (ábra 26)
- A gombokat ütközésig csúsztassa a fogantyú irányába, amíg egy kattánó hangot nem hall.
- Teljesen húzza meg a gombokat. (ábra 27)
- Emelje fel a fogantyú felső részét.
- Teljesen húzza meg a gombokat. (ábra 28)

A fűgűjtő doboz felszerelése

- Csatlakoztassa a fűgűjtő felső részét a fűgűjtő alsó részéhez. (ábra 29)
- Rögzítse a fűgűjtő keretet a kapcsokkal. (ábra 30)
- Emelje fel a hátsó burkolatot.
- Csatlakoztassa a fűgűjtőn levő kampókat a vázszekrény felső széléhez. (ábra 31)
- Helyezze a fűgűjtő alsó részét a fűkibobó csatornába.

Üzemeltetés

Bevezető



FIGYELMEZTETÉS: A termék működtetése előtt el kell olvasnia és meg kell értenie a biztonságról szóló fejezetet.

Husqvarna Connect

A Husqvarna Connect egy ingyenes mobilalkalmazás. A Husqvarna Connect alkalmazás kibővített funkciókat biztosít Husqvarna termékéhez:

- Bővebb termékinformációk.
- Információk és segítség a termékalkatrészekkel és a szervizeléssel kapcsolatban.

A Husqvarna Connect használatának megkezdése

- Töltse le a Husqvarna Connect alkalmazást mobilkészletére.
- Regisztráljon egy fiókot a Husqvarna Connect alkalmazásban.
- A termék csatlakoztatásához és regisztrálásához kövesse a Husqvarna Connect alkalmazásban megjelenő utasításokat.

A termék működtetése előtt

- Olvassa el figyelmesen a használati utasítást, és győződjön meg róla, hogy megértette azt.
- Vizsgálja meg a vágószerkezetet, hogy megbizonyosodjon róla, hogy megfelelően van-e rögzítve és beállítva. Lásd *A vágószerkezet ellenőrzése* 155. oldalon.
- Töltse fel az üzemanyagtartályt. Lásd *Tankolás* 153. oldalon.
- Töltse fel az olajtartályt, és ellenőrizze az olajsíntet. Lásd *Az olajsíntet ellenőrzése* 156. oldalon.

Tankolás

Ha rendelkezésre áll, használjon környezetbarát besorolású/alkilat benzint. Ha környezetbarát besorolású/alkilat benzint nem áll rendelkezésre, használjon jó minőségű, legalább 91-es oktánszámú ólommentes vagy ólomtartalmú benzint.



VIGYÁZAT: Ne használjon 91 oktánszámúnál gyengébb benzint. Ezzel kárt tehet a termékben.



VIGYÁZAT: Évente vagy szükség esetén ennél gyakrabban cserélje ki az üzemanyagszűrőt. Új üzemanyagszűrőt Husqvarna márkakereskedőjénél szerezhet be.



VIGYÁZAT: Az üzemanyag betöltésekor mindig állítsa le a motort.



VIGYÁZAT: Ne használjon nyomás alatt álló indítófolyadékot.

1. Lassan nyissa ki az üzemanyagtartály sapkáját, hogy kiengedje a nyomást.
2. Töltsön fel lassan a tartályt az üzemanyagkannával. Ha kiömlött az üzemanyag, törölje le egy kendővel, és hagyja, hogy a megmaradt üzemanyag felszáradjon. (ábra 32)
3. Tartsa tisztán az üzemanyagtartály sapkájának környékét.
4. Húzza meg teljesen az üzemanyagtartály sapkáját. Ha az üzemanyagtartály sapkája nincs meghúzva, tűzveszélyt okozhat.
5. Beindítás előtt vigye a terméket legalább 3 m távolságra a tankolás helyétől.

A vágási magasság beállítása

1. Mozgassa a vágási magasságot szabályozó kart hátrafelé a vágási magasság növeléséhez.
2. Mozgassa a vágási magasságot szabályozó kart előre felé a vágási magasság csökkentéséhez. (ábra 33)



VIGYÁZAT: Ne állítsa túl alacsonyra a vágási magasságot. A kések a talajba ütközhetnek, ha a pázsít felülete nem egyenletes.

A termék elindítása

1. Győződjön meg róla, hogy a gyújtáskábel csatlakozik a gyújtógyertyához.

2. Maradjon a termék mögött.
3. Húzza a fékkart a fogantyúhoz. (ábra 34)
4. Fogja meg a berántókötél fogantyúját jobb kézzel.
5. Lassan húzza ki a berántókötélet, amíg ellenállást nem érez.
6. Erőteljes mozdulattal rántsa be a motort.



FIGYELMEZTETÉS: Ne tekerje a berántókötélet a keze köré.

A kerekeken levő meghajtó használata

- Nyomja a kerékajtás kapcsoló kart a fogantyú irányába. (ábra 35)
- Engedje el a kerékajtás kapcsoló kart, hogy kikapcsolja a meghajtást, például amikor akadály közelébe ér.
- Mielőtt maga felé húzza a gépet, kapcsolja ki a meghajtást, és tolja előre a gépet kb. 10 cm-re.

A termék leállítása

- Csak a meghajtás leállításához engedje el a kerékajtás kapcsoló kart.
- A motor leállításához engedje el a fékkart.

Megfelelő eredmény elérése

- Használjon mindig éles kést. A tompa kés egyenletlen eredményt ad, és a fű vágási felülete megsárgul. Az éles kés egyben kevesebb energiát igényel, mint a tompa kés.
- Ne nyírjon le többet a fű hosszának 1/3-ánál. Először nagy vágási magasságot állítson be, és úgy nyírjon. Vizsgálja meg az eredményt, és csökkentse a vágási magasságot egy megfelelő szintre. Ha nagyon magas a fű, lassan és szükség esetén 2-szer nyírjon.
- Minden alkalommal más irányban haladjon, hogy ne alakuljanak ki sávok a pázsiton.

Karbantartás

Bevezető



FIGYELMEZTETÉS: Karbantartás előtt el kell olvasnia és meg kell értenie a biztonságról szóló fejezetet.

A gépen végzett minden szerviz- és javítási munkálat szakképzettséget igényel. Garantáljuk a professzionális javítások és szervizelés lehetőségét. Ha viszonteladója

nem szervizműhely, forduljon hozzájuk a legközelebbi szervizműhellyel kapcsolatban.

Karbantartási terv



VIGYÁZAT: A termék megdöntésekor ügyeljen arra, hogy a levegőszűrő a termék felfelé néző oldalán, ne pedig a föld felé néző oldalán legyen. Fennáll a motor károsodásának veszélye.

A karbantartási intervallumok meghatározásakor a termék napi használatát feltételeztük. Az intervallum változik, ha a terméket nem napi rendszerességgel használja.

A * szimbólummal jelölt karbantartási műveletekhez lásd a *Biztonsági eszközök a terméken 151. oldalon* című részben található utasításokat.

| Karbantartás | Naponta | Havonta | Évszakonként |
|---|---------|---------|--------------|
| Végezzen általános ellenőrzés | X | | |
| Ellenőrizze az olajsintet | X | | |
| Cserélje ki az olajat (először 5 óra használat után, majd minden 50 óra használat után) ⁷⁸ | | | X |
| Tisztítsa meg a terméket | X | | |
| Ellenőrizze a vágószerkezetet | X | | |
| Ellenőrizze a vágóburkolatot * | X | | |
| Ellenőrizze a fékkart * | X | | |
| Ellenőrizze a hangfogót * | | X | |
| Ellenőrizze a gyújtógyertyát. Szükség esetén tisztítsa meg vagy cserélje ki a gyújtógyertyát | | | X |
| Ellenőrizze a levegőszűrőt | X | | |
| Tisztítsa ki a légszűrőt ⁷⁹ | | X | |
| Cserélje ki a levegőszűrőt | | | X |
| Ellenőrizze az üzemanyagrendszert | | | X |
| Tisztítsa meg a hengeren lévő hűtőbordákat | | X | |
| Ellenőrizze és állítsa be a tengelykapcsoló bowdent (LC 140SP) | | | X |

Általános ellenőrzés

- Ellenőrizze, hogy az anyák és csavarok megfelelően meg vannak-e szorítva a terméken.

A termék külső tisztítása

- Kefével távolítsa el a leveleket, a fűvet és az egyéb szennyeződések.
- Győződjön meg róla, hogy a motor tetején lévő levegőbeömlő nyílás nincs eltömődve.
- Ne használjon nagynyomású mosót a termék tisztításához.
- Ha vízzel tisztítja a terméket, ne irányítsa a vízugarat közvetlenül a motorra.

A vágóburkolat belső felületének tisztítása

- Üritse ki a benzintartályt.

⁷⁸ Ha a terméket komoly terhelés vagy magas környezeti hőmérséklet mellett működtetik, cserélje ki a motorolajat 25 óránként.

⁷⁹ Végezze el gyakrabban a tisztítást poros környezet vagy a levegőben szálló törmelék jelenléte esetén. Ha a légszűrő erősen szennyezett, akkor cserélje ki.

- Döntse meg a terméket. Ellenőrizze, hogy a gyújtógyertya felfelé néz-e.



VIGYÁZAT: Ha a terméket a légszűrővel lefelé fordítva állítja, a motor károsodhat.

- Mossa le vízzel a vágóburkolat belső felületét.

A vágószerkezet ellenőrzése



FIGYELMEZTETÉS: A termék véletlen elindítását elkerülendő, húzza ki a gyújtáskábelt a gyújtógyertyából.



FIGYELMEZTETÉS: A vágószerkezet karbantartásakor használjon védőkesztyűt. A kés nagyon éles, könnyen megvághatja magát.

1. Ellenőrizze a vágószerkezetet sérülés, repedés szempontjából. Mindig cserélje ki a sérült vágószerkezetet.
2. Nézze meg a kést, hogy sérült-e vagy tompa-e.

Megjegyzés: A kés élezését követően ki kell egyensúlyozni. Végeztesse a kés élezését, cseréjét és kiegyensúlyozását szervizközponttal. Ha olyan akadályba ütközött, amely megállította a terméket, cserélje ki a sérült kést. Vizsgálta meg a szervizközpontban, hogy élezhető-e a kés, vagy pedig cserét igényel-e.

A kés cseréje

1. Rögzítse a kést egy fadarabbal. (ábra 36)
2. Távolítsa el a késtartó csavart.
3. Vegye le a kést.
4. Ellenőrizze a késtámszt és a késtartó csavart, hogy sérült-e.
5. Ellenőrizze a motor tengelyét, hogy nincs-e meghajolva.
6. Az új kés rögzítésekor a kés ferde vége a vágóburkolat felé nézzen. (ábra 37)
7. Győződjön meg róla, hogy a kés igazodik a motortengely középpontjához.
8. Rögzítse a kést egy fadarabbal. Helyezze fel a rugós alátétet, és húzza meg a csavart 45–60 Nm nyomatékkal. (ábra 38)
9. Forgassa meg a kést kézzel, és figyelje, hogy szabadon forog-e.



FIGYELMEZTETÉS: Használjon strapabíró kesztyűt. A kés nagyon éles, könnyen megvághatja magát.

10. Indítsa be a terméket, hogy tesztelje a kést. Ha a kés nincs megfelelően rögzítve, a termékben rezgés tapasztalható, vagy a vágási eredmény nem kielégítő.

Az olajsint ellenőrzése



VIGYÁZAT: Ha az olajsint túlságosan alacsony, kár keletkezhet a motorban. Ellenőrizze az olajsintet, mielőtt elindítja a terméket.

1. Helyezze a terméket vízszintes talajra.
2. Vegye le az olajtartály sapkáját a rögzített nivópálcával együtt.
3. Törölje le a nivópálcáról az olajat.
4. Tegye a nivópálcát teljesen az olajtartályba, hogy pontos képet kapjon az olajsintről.
5. Vegye ki a nivópálcát.
6. Vizsgálja meg az olajsintet a nivópálcán.

7. Ha az olajsint alacsony, töltsse fel a tartályt motorolajjal, és ellenőrizze újra az olajsintet.

Megjegyzés: Használjon egy tölcserőt az olaj melléömlésének megelőzéséhez.

A motorolaj cseréje



FIGYELMEZTETÉS: A motorolaj rendkívül forró közvetlenül a motor leállítását követően. Várja meg, amíg lehűl a motor, mielőtt leereszti az olajat. A motorolaj kerül a bőrre, vízzel és szappannal mossa le.

(ábra 39)

Megjegyzés: Használjon 4 ütemű motorolajat. Ügyeljen rá, hogy a környezeti hőmérsékletnek megfelelő viszkozitású típust használjon.

1. Használja a terméket addig, amíg kiürül az üzemanagyartály.
2. Húzza ki a gyújtáskábel a gyújtógyertyából.
3. Vegye le az olajtartály sapkáját.
4. Engedje le a motorolajat az olajtartályból egy olajszivattyú (tartozék) segítségével.
5. Töltsse fel az olajtartályt a(z) *Műszaki adatok 159. oldal*on részben ajánlott típusú, új motorolajjal.
6. Ellenőrizze az olajsintet. Lásd: *Az olajsint ellenőrzése 156. oldal*.

A műanyaghab szűrő tisztítása

1. Távolítsa el a levegőszűrő fedelét és a műanyaghab szűrőt.
2. Tisztítsa meg a műanyaghab szűrőt szappannal és vízzel.
3. Öblítse le tiszta vízzel a műanyaghab szűrőt.
4. Nyomja ki a vizet a műanyaghab szűrőből, és hagyja megszáradni.



VIGYÁZAT: Ne használjon sűrített levegőt. Az károsíthatja a műanyaghab szűrőt.

5. Kenje be a műanyaghab szűrőt motorolajjal.
6. Nyomjon tiszta kendőt a műanyaghab szűrőhöz a felesleges olaj eltávolításához.
7. Tegye vissza a légszűrőt. Győződjön meg arról, hogy a szűrő szorosan illeszkedik a levegőszűrő-tartóba.
8. Tegye vissza a légszűrő fedelét.

A gyújtógyertya ellenőrzése.



VIGYÁZAT: Használja mindig az előírt típusú gyújtógyertyát. A nem megfelelő gyújtógyertya károsíthatja a terméket.

- Vizsgálja meg a gyújtógyertyát, ha gyenge a motor, nehezen indul, vagy egyenetlen az alapjárata.
- A gyújtógyertya elektródái közötti lerakódások kialakulásának csökkentése érdekében tartsa be az alábbi utasításokat:
 - a) gondoskodjon az alapjáratú fordulatszám megfelelő beállításáról;
 - b) gondoskodjon a megfelelő üzemanyag-keverékről;
 - c) gondoskodjon a levegőszűrő tisztaságáról.
- Ha a gyújtógyertya piszkos, tisztítsa meg, és ellenőrizze, hogy a szikraköz megfelelő-e, lásd: *Műszaki adatok 159. oldalon.* (ábra 40)
- Szükség esetén cserélje ki a gyújtógyertyát.
- A kerékajtás nem kapcsol be a kerékajtás-kapcsoló kar vagy a sebességszabályozó kar meghúzásakor.
- A termék lassan mozog, amikor a kerékajtás be van kapcsolva.

A következő esetekben meg kell hosszabbítani a tengelykapcsoló bovdent:

- A termék elmozdul, amikor a kerékajtás nincs bekapcsolva.
- Állítsa be a tengelykapcsoló bovdent.
 - a) A tengelykapcsoló bovdent hosszának csökkentéséhez fordítsa el a beállítócsavart az óramutató járásával ellentétes irányba.
 - b) A bovdent meghosszabbításához fordítsa el a beállító csavart az óramutató járásával megegyező irányba. (ábra 41)

Ha a beállítás után a termék továbbra sem halad megfelelően, forduljon a szakszervizhez.

Az üzemanyagrendszer ellenőrzése

- Vizsgálja meg az üzemanyagtartály sapkáját és a sapka tömítését, hogy ellenőrizze, nincs-e megsérülve.
- Vizsgálja meg az üzemanyag-vezetékét, hogy ellenőrizze, nincs-e szivárgás. Ha az üzemanyag-vezeték sérült, cseréltesse ki egy szervizműhellyel.

A tengelykapcsoló bovdent beállítása (LC 140SP)

A következő esetekben csökkenteni kell a tengelykapcsoló bovdent hosszát:

Motorral kapcsolatos hibaelhárítás

| Probléma | Lehetséges ok | Megoldás |
|---------------------|---|--|
| A motor nem indul. | A gyújtáskábel nincs megfelelően csatlakoztatva. | Csatlakoztassa a gyújtáskábelt a gyújtógyertyához. |
| | Kiürült az üzemanyagtartály. | Töltse fel az üzemanyagtartályt a megfelelő típusú üzemanyaggal. |
| | Az olaj régi. | Engedje le az üzemanyagtartályt és a karburátort. Töltse fel friss benzinnel. |
| | Szennyeződés került a karburátorba vagy az üzemanyag-vezetékbe. | Tisztítsa meg a karburátort és/vagy az üzemanyag-vezetékét. |
| | Meghibásodott a gyújtógyertya. | Állítsa be a szikraközt, tisztítsa meg vagy cserélje ki a gyújtógyertyát. |
| | Üzemanyag került a gyújtógyertyára. | Tisztítsa meg a gyújtógyertyát. |
| A motor nem áll le. | A leállító mechanizmus hibás. | Húzza ki a gyújtáskábelt a gyújtógyertyából. Bízva hivatalos szervizműhelyre a termék javítását. |

| Probléma | Lehetséges ok | Megoldás |
|--|---|--|
| A motor nem egyenletesen jár. | A gyújtáskábel nincs megfelelően csatlakoztatva. | Csatlakoztassa a gyújtáskábelt a gyújtógyertyához. |
| | Szennyeződés van az üzemanyag-vezetékben, vagy az üzemanyag lejárt. | Tisztítsa meg az üzemanyag-vezetékét. Töltse fel az üzemanyagtartályt a megfelelő típusú új üzemanyaggal. |
| | Eltömődés van az üzemanyagtartály sapkájában. | Tisztítsa meg az üzemanyagtartály sapkáját. |
| | Víz vagy szennyeződés van az üzemanyagrendszerben. | Eressze le az üzemanyagtartályt. Töltse fel az üzemanyagtartályt a megfelelő típusú új üzemanyaggal. |
| | Piszkos a levegőszűrő. | Légszűrő tisztítása. |
| | Be kell állítani a karburátort. | A karburátor beállítását végeztesse el a hivatalos szakszervizben. |
| A motor túl forró. | Túl alacsony a motorolajszint. | Töltse fel a motort olajjal. |
| | A levegőáramlás nem elegendő. | Tisztítsa meg a levegőszűrőt és a levegőszűrő házát. |
| | Be kell állítani a karburátort. | A karburátor beállítását végeztesse el a hivatalos szakszervizben. |
| Időnként kihagy a gyújtás, amikor a motor nagy sebességgel üzemel. | A gyújtógyertya szikraköze túl kicsi. | Állítsa be a szikraközt. |
| A motor szokatlan hangokat bocsát ki normál terhelés mellett. | A benzin típusa nem megfelelő. | Engedje le az üzemanyagtartályt és a karburátort. Töltse fel friss benzinnel. Lásd: <i>Tankolás 153. oldalon</i> . Ha a probléma továbbra is fennáll, lépjen kapcsolatba a helyi szervizzel. |
| Alapjáraton nem egyenletes a motor járása. | A gyújtógyertya piszkos, hibás vagy túl nagy a szikraköz. | Állítsa be a szikraközt, vagy cserélje ki a gyújtógyertyát. |
| | Be kell állítani a karburátort. | Állítsa be a karburátort. |
| | Piszkos a levegőszűrő. | Légszűrő tisztítása. |

Szállítás, tárolás és ártalmatlanítás

Szállítás és raktározás

- A termék és az üzemanyag tárolásához és szállításához győződjön meg róla, hogy nincsenek szivárgások vagy gőzök. Szikra vagy nyílt láng, például elektromos készülékektől vagy kazánoktól, tüzet okozhat.
- Mindig engedélyezett tartályokat használjon az üzemanyag tárolására és szállítására.
- Ha a terméket hosszabb ideig tárolja, ürítse ki az üzemanyagtartályt. A felesleges üzemanyagot adja le egy erre kijelölt gyűjtőponton.

- Biztonságosan rögzítse a terméket szállítás során, a sérülés és baleset elkerülése érdekében.
- Tartsa a terméket zárható helyen, ahol gyermek vagy jogosulatlan személy nem férhet hozzá.
- Tartsa a terméket száraz és fagymentes helyen.

Hulladékkezelés

- Kövesse a helyi újrahasznosítási előírásokat és a vonatkozó szabályozásokat.
- A használt vagy felesleges vegyi anyagot, például az motorolajat vagy az üzemanyagot, adja le egy szervizközpontban vagy egy erre kijelölt gyűjtőponton.

- A már nem használt terméket, küldje vissza a Husqvarna kereskedőhöz, vagy adja le egy újrahasznosítási ponton.

Műszaki adatok

Műszaki adatok

| | LC 140P | LC 140SP |
|--|---|---|
| Motor | | |
| Márka | Husqvarna | Husqvarna |
| Motormodell neve | HS 123A | HS 123A |
| Motortípus | Egyhengeres, 4 ütemű, kényszerített léghűtéses, OHV | Egyhengeres, 4 ütemű, kényszerített léghűtéses, OHV |
| Lökettérfogat, cm ³ | 123 | 123 |
| Fordulatszám, ford./perc | 3000 | 3000 |
| Névleges motorteljesítmény, kW ⁸⁰ | 1,95 | 1,95 |
| Gyújtásrendszer | | |
| Gyújtógyertya | Husqvarna HQT-7 | Husqvarna HQT-7 |
| Elektródahézag, mm | 0,7-0,8 | 0,7-0,8 |
| Üzemanyag- és olajozási rendszer | | |
| Motor kenési típusa | Fröcsköléses | Fröcsköléses |
| Üzemanyagtartály úrtartalma, liter | 0,9 | 0,9 |
| Olajtartály úrtartalma, liter | 0,5 | 0,5 |
| Motorolaj ⁸¹ | Husqvarna SAE 30 | Husqvarna SAE 30 |
| Tömeg | | |
| Üres tartályokkal, kg | 25,2 | 26,8 |
| Zajkibocsátás⁸² | | |
| Hangteljesítményszint, dB(A)-ben mérve | 93 | 93 |
| Hangteljesítményszint, garantált, L _{WA} dB (A) | 95 | 95 |

⁸⁰ A motor feltüntetett névleges teljesítménye az adott motormodell tipikus legyártott motorjának a J1349/ISO1585 sz. SAE-szabvány szerint mért átlagos nettó teljesítménye (a megadott fordulatszám mellett). A sorozatgyártott motorok esetén ez az érték eltérő lehet. A végső termékbe épített motor tényleges leadott teljesítménye az üzemi fordulatszámtól, a környezeti körülményektől és egyéb értékektől függ.

⁸¹ Ha SAE-30 típusú olajat használnak +5 °C alatti hőmérsékleten, fennáll a kockázata, hogy az nem képes biztosítani a motor megfelelő kenését. Ez a motor sérülését okozhatja. Az alacsony hőmérséklet mellett alkalmazandó megfelelő olajtípusra vonatkozóan lásd: *A motorolaj cseréje* 156. oldalon.

⁸² A környezetben a 2000/14/EK sz. EK irányelvvel összhangban hangteljesítményként mért zajkibocsátás (L_{WA}).

| | LC 140P | LC 140SP |
|---|-----------------------|-----------------------|
| Zajszintek⁸³ | | |
| Hangnyomásszint a kezelő fülénél, dB(A) | 81 | 81 |
| Rezgésszintek⁸⁴ | | |
| Rezgésszint, fogantyú, m/s ² | 5,6 | 7,6 |
| Vágószerkezet | | |
| Vágási magasság, mm | 25–75 | 25–75 |
| Vágószélesség, mm | 400 | 400 |
| Vágórendszer | Gyűjtés/hátsó kidobás | Gyűjtés/hátsó kidobás |
| Kécek - standard | Gyűjtés, 5873863-10 | Gyűjtés, 5873863-10 |
| Fűgyűjtő űrtartalma, liter | 50 | 50 |
| Követési | | |
| Önjárás sebessége, km/h | – | 4 |

⁸³ A zajnyomásszintre vonatkozó jelentési adatok az 1,2 dB (A) tipikus statisztikus ingadozásával (szórásával) rendelkeznek.

⁸⁴ A rezgésszintre vonatkozó jelentési adatok az 0,2 m/s² tipikus statisztikus ingadozásával (szórásával) rendelkeznek.

EK megfeleléségi nyilatkozat

EK megfeleléségi nyilatkozat

A **Husqvarna AB**, SE-561 82 Huskvarna, Svédország, tel: +46-36-146500, kijelenti, hogy a **Husqvarna LC 140P, LC 140SP** fűnyírók a 2020 évtől kezdődően megfelelnek az EGK TANÁCSA következő IRÁNYELVEINEK:

- a 2011. június 8-i, „egyes veszélyes anyagok alkalmazásának korlátozására vonatkozó” irányelv **2011/65/EU**
- a 2006. május 17-i, „gépekre vonatkozó” irányelv **2006/42/EK**
- a 2014. február 26-i, „elektromágneses megfelelésséggel kapcsolatos” irányelv **2014/30/EU**
- a 2000. május 8-i, „környezeti zajkibocsátással kapcsolatos” irányelv **2000/14/EK**

A zajkibocsátásra vonatkozó tájékoztatást lásd a Műszaki adatok című fejezetben.

A következő szabványok kerültek alkalmazásra:

EN ISO 5395-1:2013, EN ISO 5395-1:2013/A1, EN ISO 5395-2:2013, EN ISO 5395-2:2013/A1:2016, EN ISO 5395-2:2013/A2:2017, EN ISO 14982:2009

Eltérő rendelkezés hiányában a fenti szabványok a legutóbb közzétett verziókat jelölik.

Bejelentett tanúsítási szervezet: **0036, TÜV SÜD Industrie Service GmbH, Westendstrasse 199, 80686 München, Germany** elvégezte a megfeleléségi felmérést a 2000/14/EK irányelv VI. mellékletének megfelelően.

Huskvarna, 2020-10-20



Claes Losdal, Fejlesztési Igazgató/Kertművelési termékek (a Husqvarna AB hivatalos képviselője és a műszaki dokumentációk felelőse)

Sommario

| | | | |
|-------------------|-----|--|-----|
| Introduzione..... | 162 | Ricerca guasti del motore..... | 171 |
| Sicurezza..... | 163 | Trasporto, stoccaggio e smaltimento..... | 172 |
| Montaggio..... | 166 | Dati tecnici..... | 172 |
| Utilizzo..... | 166 | Dichiarazione di conformità CE..... | 174 |
| Manutenzione..... | 168 | | |

Introduzione

Descrizione del prodotto

Il prodotto è un rasaerba rotativo con operatore a piedi. L'erba viene raccolta in un raccogliherba. Rimuovere il raccogliherba per scaricare l'erba dalla parte posteriore del prodotto.

Panoramica del prodotto

(Fig. 1)

1. Impugnatura / manubrio
2. Impugnatura di comando (LC 140SP)
3. Maniglia della fune di avviamento
4. Raccogliherba
5. Serbatoio del carburante
6. Filtro dell'aria
7. Candela
8. Coperchio di taglio
9. Marmitta
10. Tappo del serbatoio dell'olio
11. Leva dell'altezza di taglio
12. Coperchio posteriore
13. Impugnatura del freno motore
14. Simboli
15. Complessivo impugnatura inferiore
16. Impugnatura inferiore
17. Manuale operatore
18. Imbuto dell'olio

Simboli riportati sul prodotto

- (Fig. 2) **AVVERTENZA!** prestare attenzione e utilizzare il prodotto correttamente. Il prodotto può causare gravi lesioni o morte dell'operatore o altre persone.
- (Fig. 3) Prima dell'uso, leggere per intero il manuale dell'operatore e accertarsi di aver compreso le istruzioni.
- (Fig. 4) Prestare attenzione a oggetti lanciati o rimbalzati.
- (Fig. 5) Mantenere le persone e gli animali a una distanza di sicurezza dalla zona di lavoro.

Uso previsto

Utilizzare il prodotto per tagliare l'erba. Non utilizzare il prodotto per altre attività.

- (Fig. 6) **Avvertenza:** Tenere mani e piedi lontani dalla lama rotante.
- (Fig. 7) **Avvertenza:** Tenere le mani e i piedi lontani dalle parti rotanti.
- (Fig. 8) Arrestare il motore e rimuovere il cavo di accensione prima di effettuare interventi di riparazione o manutenzione.
- (Fig. 9) Il presente prodotto è conforme alle vigenti direttive CEE.
- (Fig. 10) Emissioni di rumore nell'ambiente in base alla direttiva della Comunità Europea. Le emissioni del prodotto sono indicate nel capitolo Dati tecnici e sull'etichetta.
- (Fig. 11) Rischio di incendio.
- (Fig. 12) Non respirare i fumi di scarico. I fumi di scarico del motore contengono monossido di carbonio, un gas inodore, velenoso e altamente pericoloso. Non avviare il motore in ambienti o spazi chiusi.
- (Fig. 13) Superficie calda.
- (Fig. 14) Rifornire il motore con olio prima di avviare il prodotto.

Nota: Altri simboli o decalcomanie sul prodotto riguardano particolari requisiti necessari per la certificazione in determinate aree commerciali.

Emissioni Euro V



AVVERTENZA: La manomissione del motore rende nulla l'omologazione UE del prodotto.

Responsabilità del prodotto

Come indicato nelle leggi vigenti in materia di responsabilità obbligatoria sul prodotto, non siamo responsabili per eventuali danni causati dal nostro prodotto se:

- Il prodotto viene riparato in modo errato.
- Il prodotto viene riparato con parti che non provengono o non sono omologate dal produttore.
- Il prodotto contiene un accessorio che non proviene o non è omologato dal produttore.
- Il prodotto non viene riparato presso un centro di assistenza autorizzato o presso un'autorità competente.

Sicurezza

Definizioni di sicurezza

Le avvertenze, le precauzioni e le note sono utilizzate per evidenziare le parti importanti del manuale.



AVVERTENZA: Utilizzato se è presente un rischio di lesioni o morte dell'operatore o di passanti nel caso in cui le istruzioni del manuale non vengano rispettate.



ATTENZIONE: Utilizzato se è presente un rischio di danni al prodotto, ad altri materiali oppure alla zona adiacente nel caso in cui le istruzioni del manuale non vengano rispettate.

Nota: Utilizzato per fornire ulteriori informazioni necessarie in una determinata situazione.

Istruzioni di sicurezza generali



AVVERTENZA: Leggere le seguenti avvertenze prima di utilizzare il prodotto.

- Questo prodotto è pericoloso se utilizzato in maniera impropria o se non si presta attenzione. La mancata osservanza delle istruzioni di sicurezza può causare lesioni anche fatali.
- Durante il funzionamento, questo prodotto genera un campo elettromagnetico. Tale campo può interferire, in alcuni casi, con persone portatrici di impianti medici attivi o passivi. Per ridurre il rischio di condizioni che possono implicare lesioni gravi o mortali, i portatori di tali impianti devono consultare il proprio medico e il produttore dell'impianto prima di utilizzare questo prodotto.
- Usare la massima cautela e il buon senso. Se non si è sicuri di come utilizzare il prodotto in una particolare situazione, fermarsi e rivolgersi al proprio rivenditore Husqvarna prima di continuare.

- Tenere presente che l'operatore potrà essere ritenuto responsabile di eventuali incidenti che coinvolgono altre persone o i loro beni.
- Tenere pulito il prodotto. Assicurarsi che sia possibile leggere chiaramente simboli e decalcomanie.
- Non consentire ad altre persone di utilizzare il prodotto se non si è sicuri che abbiano letto e compreso il contenuto del Manuale dell'operatore.
- Non consentire ai bambini di utilizzare il prodotto.
- Tenere i bambini lontani dall'area di lavoro. È necessaria sempre la supervisione di un adulto responsabile.
- Non permettere a chiunque non conosca le istruzioni di utilizzare il prodotto.
- Controllare sempre qualsiasi persona, dalle capacità fisiche o mentali ridotte, che utilizzi il prodotto. È necessaria sempre la supervisione di un adulto responsabile.
- Non utilizzare l'apparecchio quando si è stanchi, ammalati o sotto effetto di alcool, farmaci o medicinali. Essi potrebbero compromettere la vista, l'attenzione, il coordinamento e il giudizio.
- Se difettoso, non utilizzare il prodotto.
- Non modificare il prodotto né utilizzarlo nel caso in cui vi sia la possibilità che sia stato modificato da altri.
- Non modificare la regolazione per il controllo del regime motore.

Sicurezza dell'area di lavoro



AVVERTENZA: Leggere le seguenti avvertenze prima di utilizzare il prodotto.

- Rimuovere oggetti quali rami, ramoscelli o pietre dall'area di lavoro prima di utilizzare il prodotto.
- Gli oggetti che urtano contro l'attrezzatura di taglio potrebbero essere proiettati e causare danni a cose e persone. Mantenere persone e animali a una distanza di sicurezza dal prodotto.
- Non utilizzare mai il prodotto in condizioni meteorologiche avverse quali nebbia, pioggia, vento

forte, freddo intenso e rischio di fulmini. L'uso del prodotto in condizioni meteorologiche avverse o in ambienti umidi è stancante. Condizioni meteorologiche avverse possono causare situazioni di pericolo quali superfici scivolose.

- Prestare attenzione a persone, cose e situazioni che possono impedire un utilizzo sicuro del prodotto.
- Prestare attenzione a ostacoli quali radici, pietre, ramoscelli, fossi e avvallamenti. L'erba alta può nascondere eventuali ostacoli.
- Tagliare l'erba in pendenza può risultare pericoloso. Non utilizzare il prodotto su terreni con pendenze superiori a 15°.
- Utilizzare il prodotto trasversalmente lungo i pendii. Non spostarsi seguendo tragitti verso l'alto e verso il basso.
- Prestare attenzione in prossimità di angoli e oggetti nascosti che potrebbero ostacolare la visuale.

Sicurezza sul lavoro



AVVERTENZA: Leggere le seguenti avvertenze prima di utilizzare il prodotto.

- Utilizzare il prodotto esclusivamente per tagliare il prato. Non è consentito utilizzare il prodotto per altri scopi.
- Usare sempre abbigliamento protettivo personale. Vedere *Abbigliamento protettivo personale alla pagina 164*.
- Assicurarsi di saper spegnere il motore rapidamente in caso di emergenza.
- Non avviare il motore in uno spazio chiuso o in prossimità di materiali infiammabili. I fumi di scarico del motore sono molto caldi e possono contenere scintille in grado di provocare incendi.
- Non azionare il prodotto senza prima aver montato correttamente la lama e tutti i coperchi. Una lama non correttamente fissata potrebbe allentarsi e causare lesioni personali.
- Assicurarsi che la lama non urti oggetti quali pietre e radici. Ciò potrebbe provocare danni alla lama e piegare l'albero motore. Un'asse piegato provoca forti vibrazioni e un alto rischio di allentamento della lama.
- Qualora la lama urti contro un oggetto o all'insorgere di vibrazioni arrestare immediatamente il prodotto. Staccare il cavo di accensione dalla candela. Verificare la presenza di eventuali danni al prodotto. Riparare eventuali danni o contattare un'officina autorizzata per far svolgere la riparazione.
- Non fissare l'impugnatura del freno motore in modo permanente al manubrio quando il motore è avviato.
- Posizionare il prodotto su una superficie piana e stabile e avviarlo. Assicurarsi che la lama non venga a contatto con il terreno o con altri oggetti.
- Collocarsi sempre posteriormente al prodotto quando lo si utilizza.

- Consentire a tutte le ruote di restare a contatto con il suolo e tenere le 2 mani sull'impugnatura mentre si aziona il prodotto. Tenere mani e piedi lontani dalle lame rotanti.
- Non ribaltare il prodotto a motore acceso.
- Prestare attenzione quando si tira il prodotto verso di sé.
- Non sollevare mai il prodotto a motore avviato. Se si deve sollevare il prodotto, arrestare innanzitutto il motore e scollegare il cavo di accensione dalla candela.
- Non camminare all'indietro quando si utilizza il prodotto.
- Arrestare il motore quando si attraversano zone prive d'erba quali vialetti in ghiaia, pietra e asfalto.
- Non correre con il prodotto quando il motore è acceso. Camminare sempre durante l'utilizzo del prodotto.
- Spegnerne il motore prima di apportare qualsiasi modifica all'altezza di taglio. Non effettuare mai regolazioni a motore acceso.
- Non perdere mai di vista il prodotto quando il motore è acceso. Arrestare il motore e assicurarsi che l'attrezzatura di taglio non giri.

Istruzioni di sicurezza per il funzionamento

Abbigliamento protettivo personale



AVVERTENZA: Leggere le seguenti avvertenze prima di utilizzare il prodotto.

- L'uso di abbigliamento protettivo personale non elimina il rischio di lesioni, ma ne riduce la gravità in caso di incidente. Farsi consigliare dal rivenditore per la scelta dell'attrezzatura adatta.
- Utilizzare protezioni per le orecchie se il livello di rumore è superiore a 85 dB.
- Utilizzare robusti stivali o scarpe antiscivolo. Non utilizzare il prodotto con calzature aperte o a piedi nudi.
- Utilizzare pantaloni lunghi di tessuto pesante.
- Indossare guanti protettivi ove necessario, ad esempio per montare, ispezionare o pulire l'attrezzatura di taglio.

Dispositivi di sicurezza sul prodotto



AVVERTENZA: Leggere le seguenti avvertenze prima di utilizzare il prodotto.

- Non utilizzare un prodotto con dispositivi di sicurezza difettosi.
- Effettuare un controllo dei dispositivi di sicurezza con regolarità. Se i dispositivi di sicurezza sono difettosi, rivolgersi alla propria officina Husqvarna.

Controllo del coperchio di taglio

Il coperchio di taglio riduce le vibrazioni del prodotto e il rischio di ferirsi con la lama.

- Esaminare il coperchio di taglio per accertarsi che non presenti danni quali crepe.

Controllo dell'impugnatura del freno motore

L'impugnatura del freno motore arresta il motore. Quando si rilascia l'impugnatura del freno motore, il motore si arresta.

- Avviare il motore, quindi rilasciare l'impugnatura del freno motore. Se il motore non si arresta entro 3 secondi, far regolare il freno motore presso un'officina Husqvarna autorizzata. (Fig. 15)

Marmitta

La marmitta assicura il minimo livello acustico e allontana i fumi di scarico dall'operatore.

Non utilizzare il prodotto se la marmitta è mancante o difettosa. Una marmitta difettosa aumenta il livello acustico e il rischio di incendio.



AVVERTENZA: La marmitta si surriscalda durante e dopo l'uso e quando il motore funziona al regime minimo. Prestare attenzione in prossimità di materiali infiammabili e/o fumi per evitare incendi.

Sicurezza nell'uso del carburante



AVVERTENZA: Leggere le seguenti avvertenze prima di utilizzare il prodotto.

- Non avviare il prodotto nel caso in cui vi sia carburante o olio motore su di esso. Rimuovere il carburante/olio indesiderato e lasciare che il prodotto si asciughi.
- In caso di perdite di carburante sugli indumenti, cambiarsi immediatamente.
- Il carburante non deve arrivare a contatto con il corpo, poiché può causare lesioni. In caso di contatto del carburante con il corpo, rimuoverlo con acqua e sapone.
- Non avviare il prodotto se il motore presenta una perdita. Esaminare regolarmente il motore per verificare la presenza di eventuali perdite.
- Prestare la massima attenzione con il carburante. Il carburante è infiammabile e i fumi sono esplosivi quindi possono causare lesioni o morte.
- Non respirare i fumi del carburante perché possono causare lesioni. Accertarsi che ci sia un flusso d'aria sufficiente.
- Non fumare in prossimità del carburante o del motore.

- Non posizionare oggetti caldi in prossimità del carburante o del motore.
- Non aggiungere carburante a motore acceso.
- Assicurarsi che il motore sia freddo prima di effettuare il rifornimento.
- Prima di effettuare il rifornimento, aprire lentamente il tappo del serbatoio del carburante e rilasciare la pressione con cautela.
- Non aggiungere carburante al motore in un ambiente chiuso. Un flusso d'aria insufficiente può causare lesioni o la morte dovute ad asfissia o al monossido di carbonio.
- Stringere completamente il tappo del serbatoio del carburante. Se il tappo del serbatoio carburante non è serrato, vi è il rischio di incendio.
- Prima dell'avviamento, spostare il prodotto di almeno 3 m/10 ft dal punto in cui è stato riempito il serbatoio del carburante.
- Non riempire completamente il serbatoio del carburante. Il calore provoca l'espansione del carburante. Lasciare dello spazio nella parte superiore del serbatoio del carburante.

Istruzioni di sicurezza per la manutenzione



AVVERTENZA: Leggere le seguenti avvertenze prima di utilizzare il prodotto.

- I fumi di scarico del motore contengono monossido di carbonio, un gas inodore, velenoso e altamente pericoloso. Non avviare il motore in ambienti o spazi chiusi.
- Prima di eseguire la manutenzione del prodotto, arrestare il motore e rimuovere il cavo di accensione dalla candela.
- Indossare guanti protettivi quando si esegue la manutenzione dell'attrezzatura di taglio. La lama è molto affilata e ci si può ferire facilmente.
- Accessori e modifiche apportate al prodotto che non siano stati approvati dal costruttore possono causare infortuni gravi, anche fatali. Non apportare modifiche al prodotto. Utilizzare sempre accessori approvati dal produttore.
- Se la manutenzione non viene eseguita correttamente e con regolarità, aumenta il rischio di lesioni personali e danni al prodotto.
- Eseguire esclusivamente gli interventi di manutenzione riportati nel presente manuale. Tutti gli altri interventi di manutenzione devono essere svolti da un'officina Husqvarna autorizzata.
- Rivolgersi a un'officina Husqvarna autorizzata per far svolgere regolarmente interventi di manutenzione sul prodotto.
- Sostituire le parti danneggiate, usurate o rotte.

Montaggio

Montaggio dell'impugnatura

1. Spingere la vite (A) attraverso l'impugnatura (B), la rondella in plastica (C) e la staffa di supporto dell'impugnatura (D). (Fig. 16)
2. Serrare completamente il dado (E).
3. Spingere la vite (F) attraverso la rondella (G) e sulla staffa di supporto dell'impugnatura.
4. Serrare completamente la manopola (H).
5. Allineare i fori nel manubrio con i fori nell'impugnatura inferiore e fissare le viti, le rondelle e le manopole. Stringere completamente le manopole. (Fig. 17)
6. Collegare i cavi all'impugnatura con i supporti per cavi. (Fig. 18)

Nota: Assicurarsi che la tensione dei cavi non sia eccessiva. Una tensione eccessiva può causare danni al cavo se l'impugnatura è piegata in posizione di trasporto.

7. Arrotolare i cavi intorno al gancio nella parte inferiore dell'impugnatura. (Fig. 19)

Per regolare l'altezza dell'impugnatura

1. Allentare le manopole inferiori. (Fig. 20)
2. Rimuovere la manopola, la rondella e la vite sul lato sinistro e destro.
3. L'impugnatura può essere impostata a 2 altezze diverse. Inserire la vite in uno dei 2 fori sul lato sinistro e destro. (Fig. 21)
4. Fissare le viti, le rondelle e le manopole.
5. Spostare le manopole verso l'alto in direzione dell'impugnatura fino a quando un clic ne segnala l'arresto. Stringere completamente le manopole. (Fig. 22)

Predisposizione del prodotto in posizione di trasporto

1. Rimuovere il raccoglierba.
2. Allentare le manopole sull'impugnatura superiore e piegare l'impugnatura verso il basso. (Fig. 23)
3. Allentare le manopole inferiori.
4. Spostare le manopole verso l'estremità inferiore delle scanalature dei lati sinistro e destro del prodotto. (Fig. 24)
5. Ripiegare l'impugnatura in avanti. (Fig. 25)

Per fissare il prodotto in posizione di funzionamento

1. Sollevare il manubrio fino a quando l'impugnatura inferiore si blocca in posizione di funzionamento. (Fig. 26)
2. Spostare le manopole verso l'alto in direzione dell'impugnatura fino a quando un clic ne segnala l'arresto.
3. Stringere completamente le manopole. (Fig. 27)
4. Sollevare la parte superiore del manubrio.
5. Stringere completamente le manopole. (Fig. 28)

Per assemblare il raccoglierba

1. Inserire la parte superiore del raccoglierba nella parte inferiore del raccoglierba. (Fig. 29)
2. Fissare il telaio del raccoglierba con i fermi. (Fig. 30)
3. Sollevare il coperchio posteriore.
4. Fissare i ganci sul raccoglierba al bordo superiore del telaio. (Fig. 31)
5. Inserire la parte inferiore del raccoglierba nel canale di scarico dell'erba.

Utilizzo

Introduzione



AVVERTENZA: Prima di utilizzare il prodotto, è necessario leggere e comprendere il capitolo relativo alla sicurezza.

Husqvarna Connect

Husqvarna Connect è un'app gratuita per i dispositivi mobili. L'app Husqvarna Connect fornisce funzioni estese per il prodotto Husqvarna:

- Informazioni aggiuntive sul prodotto.
- Dettagli, guida, parti del prodotto e manutenzione.

Primo utilizzo Husqvarna Connect

1. Scaricare l'app Husqvarna Connect sul proprio dispositivo mobile.
2. Registrarsi nell'app Husqvarna Connect.
3. Attenersi alle istruzioni dell'app Husqvarna Connect per collegare e registrare il prodotto.

Prima di utilizzare il prodotto

1. Leggere il Manuale dell'operatore con attenzione e accertarsi di averne compreso il contenuto.
2. Esaminare l'attrezzatura di taglio per assicurarsi che sia correttamente collegata e regolata. Vedere *Per controllare l'attrezzatura di taglio alla pagina 169*.

3. Riempire il serbatoio del carburante. Vedere *Per il rifornimento del carburante alla pagina 167*.
4. Riempire il serbatoio dell'olio ed effettuare il controllo del livello dell'olio. Vedere *Per eseguire il controllo del livello dell'olio alla pagina 169*.

Per il rifornimento del carburante

Se disponibile, utilizzare benzina con un carburante a basso livello di emissioni/alchilata. Se non è disponibile a basso livello di emissioni/alchilata, utilizzare una benzina senza piombo di buona qualità o una benzina contenente piombo con un numero di ottani non inferiore a 91.



ATTENZIONE: Non utilizzare mai benzina con un numero di ottani inferiore a 91 RON. Ciò può causare danni al prodotto.



ATTENZIONE: Sostituire il filtro del carburante ogni anno o più frequentemente, se necessario. Presso il rivenditore Husqvarna è disponibile un nuovo filtro del carburante.



ATTENZIONE: Spegnerne sempre il motore prima di riempire il serbatoio di carburante.



ATTENZIONE: Non utilizzare liquidi di avviamento pressurizzati.

1. Aprire lentamente il tappo del serbatoio del carburante per rilasciare la pressione.
2. Riempire lentamente il serbatoio con una tanica di carburante. Se si versa del carburante, rimuoverlo con un panno e lasciare asciugare eventuali residui. (Fig. 32)
3. Pulire l'area intorno al tappo del serbatoio del carburante.
4. Stringere completamente il tappo del serbatoio del carburante. Se il tappo del serbatoio del carburante non è serrato, vi è il rischio di incendio.
5. Prima dell'avviamento, spostare il prodotto di almeno 3 m/10 ft dal punto in cui è stato riempito il serbatoio del carburante.

Per impostare l'altezza di taglio

1. Per aumentare l'altezza di taglio, spingere la leva dell'altezza di taglio all'indietro.
2. Per diminuire l'altezza di taglio, spingere la leva dell'altezza di taglio in avanti. (Fig. 33)



ATTENZIONE: Non impostare l'altezza di taglio troppo in basso. Se la superficie del

prato non è piana, le lame possono urtare il terreno.

Per avviare il prodotto

1. Accertarsi che il cavo di accensione sia collegato alla candela.
2. Collocarsi dietro il prodotto.
3. Tenere l'impugnatura del freno motore contro il manubrio. (Fig. 34)
4. Tenere l'impugnatura della fune di avviamento con la mano destra.
5. Estrarre lentamente l'impugnatura della fune di avviamento fino a che non si avverte una leggera resistenza.
6. Tirare con forza per avviare il motore.



AVVERTENZA: Non avvolgere la fune di avviamento intorno alla mano.

Per applicare trazione alle ruote

- Premere l'impugnatura di comando in direzione del manubrio. (Fig. 35)
- Rilasciare l'impugnatura di comando per disinnestare la trazione, ad esempio quando ci si avvicina a un ostacolo.
- Prima di tirare il prodotto verso di sé, disinnestare la trazione e spingere il prodotto in avanti di circa 10 cm.

Per arrestare il prodotto

- Per arrestare la sola trazione, rilasciare l'impugnatura di comando.
- Per spegnere il motore, rilasciare l'impugnatura del freno motore.

Per ottenere un buon risultato

- Utilizzare sempre una lama ben affilata. Una lama non tagliente fornisce un risultato irregolare e la superficie di taglio dell'erba ingiallisce. Una lama affilata inoltre consuma minore energia di una lama affilata.
- Non tagliare più di $\frac{1}{2}$ dell'altezza dell'erba. Iniziare l'operazione di taglio impostando l'altezza di taglio su un livello alto. Esaminare il risultato e ridurre l'altezza di taglio al livello applicabile. Se l'erba è molto alta, procedere lentamente e tagliarla 2 volte, se necessario.
- Tagliare sempre in direzioni diverse per evitare il formarsi di strisce sul prato.

Manutenzione

Introduzione



AVVERTENZA: Prima di svolgere la manutenzione, leggere e comprendere il capitolo relativo alla sicurezza.

Per tutti gli interventi di assistenza e riparazione sul prodotto, è necessaria una formazione specifica. La nostra azienda garantisce la disponibilità di personale qualificato per le riparazioni e l'assistenza. Se non avete acquistato il prodotto presso un rivenditore dotato di officina, informatevi sull'ubicazione della più vicina officina autorizzata.

Programma di manutenzione



ATTENZIONE: Accertarsi che il filtro dell'aria sia in alto e non a terra quando si inclina il prodotto. Rischio di avarie al motore.

Gli intervalli di manutenzione sono calcolati sulla base di un uso quotidiano del prodotto. Gli intervalli cambiano se il prodotto non viene usato quotidianamente.

Per gli interventi di manutenzione contrassegnati con il simbolo *, vedere le istruzioni in *Dispositivi di sicurezza sul prodotto alla pagina 164*.

| Manutenzione | Giornaliera | Una volta al mese | Ogni stagione |
|--|-------------|-------------------|---------------|
| Svolgere un'ispezione generale | X | | |
| Controllare il livello dell'olio | X | | |
| Cambiare l'olio (la prima volta dopo 5 ore di funzionamento, successivamente dopo ogni 50 ore) ⁸⁵ | | | X |
| Pulire il prodotto | X | | |
| Controllare l'attrezzatura di taglio | X | | |
| Controllare il coperchio di taglio * | X | | |
| Controllare l'impugnatura del freno motore * | X | | |
| Controllare la marmitta * | | X | |
| Esaminare la candela. Pulire o sostituire la candela secondo necessità. | | | X |
| Controllare il filtro dell'aria | X | | |
| Pulire il filtro dell'aria ⁸⁶ | | X | |
| Sostituire il filtro dell'aria | | | X |
| Controllare il sistema di alimentazione | | | X |
| Pulire le alette di raffreddamento sul cilindro. | | X | |
| Controllare e regolare il cavo della frizione (LC 140SP) | | | X |

Ispezione generale

- Controllare che tutti i dadi e le viti del prodotto siano serrati correttamente.

Per pulire esternamente il prodotto

- Utilizzare una spazzola per rimuovere foglie, erba e sporcizia.
- Assicurarsi che la presa d'aria nella parte superiore del motore non sia ostruita.

⁸⁵ Se il prodotto viene utilizzato con carichi pesanti o a temperature ambiente elevate, sostituire l'olio motore ogni 25 ore.

⁸⁶ Pulire più spesso in ambienti polverosi o in presenza di detriti trasportati dall'aria. Sostituire il filtro dell'aria, se è molto sporco.

- Non utilizzare una lancia ad alta pressione per pulire il prodotto.
- Se si utilizza dell'acqua per pulire il prodotto, non versare l'acqua direttamente sul motore.

Per pulire la superficie interna del coperchio di taglio

1. Svuotare il serbatoio del carburante.
2. Inclinare il prodotto. Assicurarsi che la candela sia rivolta verso l'alto.



ATTENZIONE: Se il prodotto è stato collocato con il filtro dell'aria rivolto verso il basso, il motore potrebbe danneggiarsi.

3. Lavare la superficie interna del coperchio di taglio con acqua.

Per controllare l'attrezzatura di taglio



AVVERTENZA: Per evitare l'avviamento accidentale del prodotto, rimuovere il cavo di accensione dalla candela.



AVVERTENZA: Indossare guanti protettivi quando si esegue la manutenzione dell'attrezzatura di taglio. La lama è molto affilata e ci si può ferire facilmente.

1. Controllare l'attrezzatura di taglio per individuare danni o crepe. Sostituire sempre l'attrezzatura di taglio danneggiata.
2. Osservare la lama per controllare che non sia danneggiata o usurata.

Nota: Dopo l'affilatura la lama deve essere bilanciata. Rivolgersi a un centro assistenza per l'affilatura, la sostituzione e il bilanciamento. Se si urta un ostacolo che provoca l'arresto del prodotto, sostituire la lama danneggiata. Il centro di assistenza può valutare se la lama può essere affilata o deve essere sostituita.

Per sostituire la lama

1. Bloccare la lama con un blocco di legno. (Fig. 36)
2. Rimuovere il bullone della lama.
3. Rimuovere la lama.
4. Esaminare il supporto e il bullone della lama per verificare la presenza di eventuali danni.
5. Esaminare l'albero motore per accertarsi che non sia piegato.
6. Quando si fissa la nuova lama, assicurarsi che le estremità inclinate della lama puntino in direzione del coperchio di taglio. (Fig. 37)
7. Assicurarsi che la lama sia allineata con il centro dell'albero motore.

8. Bloccare la lama con un blocco di legno. Inserire la rondella reggisplinta e serrare il bullone e la rondella a una coppia di 45–60 Nm. (Fig. 38)
9. Girare manualmente la lama per verificare che possa ruotare liberamente.



AVVERTENZA: Utilizzare dei guanti da lavoro spessi. La lama è molto affilata e ci si può ferire facilmente.

10. Avviare il prodotto per eseguire una prova della lama. Se la lama non è collegata correttamente, si verificano delle vibrazioni nel prodotto o il risultato del taglio è insoddisfacente.

Per eseguire il controllo del livello dell'olio



ATTENZIONE: Se il livello dell'olio è troppo basso si possono verificare danni al motore. Controllare il livello dell'olio prima di avviare il prodotto.

1. Posizionare il prodotto su un terreno in piano.
2. Rimuovere il tappo del serbatoio dell'olio con l'annessa asta di livello.
3. Pulire l'olio dall'asta di livello.
4. Inserire l'asta di livello interamente all'interno del serbatoio dell'olio per avere un'immagine corretta del livello dell'olio.
5. Rimuovere l'asta di livello.
6. Controllare il livello dell'olio sull'asta di livello.
7. Se il livello dell'olio è basso, rabboccare con olio motore ed eseguire nuovamente un controllo del livello dell'olio.

Nota: Utilizzare un imbuto per evitare fuoriuscite.

Cambio dell'olio motore



AVVERTENZA: L'olio motore è molto caldo subito dopo lo spegnimento del motore. Lasciare che il motore si raffreddi prima di scaricare l'olio motore. Se si versa accidentalmente dell'olio motore sulla pelle, lavare con acqua e sapone.

(Fig. 39)

Nota: Utilizzare olio motore a 4 tempi. Assicurarsi di utilizzare la viscosità corretta per la temperatura ambiente.

1. Azionare il prodotto fino a quando il serbatoio carburante è vuoto.
2. Rimuovere il cavo di accensione dalla candela.
3. Rimuovere il tappo del serbatoio dell'olio.

4. Scaricare l'olio motore dal serbatoio dell'olio con una pompa dell'olio (accessorio).
5. Riempire con nuovo olio motore del tipo raccomandato in *Dati tecnici alla pagina 172*.
6. Eseguire il controllo del livello dell'olio. Fare riferimento a *Per eseguire il controllo del livello dell'olio alla pagina 169*.

Per pulire il filtro in materiale espanso

1. Rimuovere il coperchio del filtro dell'aria e il filtro in materiale espanso.
2. Pulire il filtro in materiale espanso con acqua e sapone.
3. Sciacquare il filtro in materiale espanso con acqua pulita.
4. Strizzare via l'acqua dal filtro materiale espanso e lasciarlo asciugare.



ATTENZIONE: Non usare aria compressa. Ciò può causare danni al filtro in materiale espanso.

5. Lubrificare il filtro in materiale espanso con olio motore.
6. Premere un panno pulito contro il filtro in materiale espanso per rimuovere residui di olio indesiderati.
7. Rimontare il filtro dell'aria. Assicurarsi che il filtro dell'aria sia correttamente a tenuta rispetto al portafiltro dell'aria.
8. Rimontare il coperchio del filtro dell'aria.

Per esaminare la candela



ATTENZIONE: Usare candele originali o del tipo raccomandato. Un tipo di candela errato può danneggiare il prodotto.

- Controllare la candela nel caso in cui il motore giri a bassa potenza, risulti difficile da avviare o non funzioni correttamente al regime minimo.
- Per ridurre il rischio di accumulo di materiale superfluo sugli elettrodi delle candele, osservare le seguenti istruzioni:

- a) Accertarsi che il regime minimo sia regolato correttamente.
 - b) Accertarsi che la miscela sia corretta.
 - c) Accertarsi che il filtro dell'aria sia pulito.
- Se la candela è incrostata, pulirla e controllare che la distanza tra gli elettrodi sia corretta; vedere *Dati tecnici alla pagina 172*. (Fig. 40)
 - Sostituire la candela secondo necessità.

Per controllare il sistema di alimentazione

- Esaminare il tappo del serbatoio del carburante e la relativa guarnizione di tenuta per verificare che non vi siano danni.
- Esaminare il tubo pescante per accertarsi che non presenti perdite. Se il tubo pescante è danneggiato, farlo sostituire presso un'officina.

Per regolare il filo della frizione (LC 140SP)

Nelle situazioni di seguito riportate, è necessario accorciare il filo della frizione:

- la trazione delle ruote non si avvia quando si tira la staffa di azionamento o la leva di controllo del regime;
- il prodotto si muove lentamente quando si avvia la trazione delle ruote.

Nelle situazioni di seguito riportate, è necessario allungare il filo della frizione:

- il prodotto si muove senza aver avviato la trazione delle ruote.
- Regolare il filo della frizione.
 - a) Per accorciare il filo della frizione, avvitare in senso antiorario la vite di regolazione.
 - b) Per allungare il filo della frizione, avvitare la vite di regolazione in senso orario. (Fig. 41)

Se il prodotto continua ad avere problemi di trazione, contattare il centro di assistenza.

Ricerca guasti del motore

| Problema | Possibile causa | Soluzione |
|---|---|--|
| Il motore non si avvia. | Il cavo di accensione non è collegato correttamente. | Collegare il cavo di accensione alla candela. |
| | Il serbatoio del carburante è vuoto. | Riempire il serbatoio del carburante con il corretto tipo di carburante. |
| | Il carburante è vecchio. | Svuotare il serbatoio del carburante e il carburatore. Rifornire con benzina nuova. |
| | È presente dello sporco nel carburatore o nel tubo del carburante. | Pulire il carburatore e/o la tubazione del carburante. |
| | La candela è difettosa. | Regolare la distanza tra gli elettrodi, pulire o sostituire la candela. |
| | È presente del carburante sulla candela. | Pulire la candela. |
| Il motore non si spegne. | Il meccanismo di arresto è difettoso | Staccare il cavo di accensione dalla candela. Affidare la riparazione del prodotto a un'officina autorizzata. |
| Il motore gira in maniera irregolare. | Il cavo di accensione non è collegato correttamente. | Collegare il cavo di accensione alla candela. |
| | È presente sporco nella tubazione del carburante o il carburante è scaduto. | Pulire il tubo del carburante. Riempire il serbatoio del carburante con carburante nuovo del tipo corretto. |
| | È presente carburante nel tappo del serbatoio del carburante. | Pulire il tappo del serbatoio del carburante. |
| | Presenza di acqua o sporco nel sistema di alimentazione. | Svuotare il serbatoio del carburante. Riempire il serbatoio del carburante con carburante nuovo del tipo corretto. |
| | Il filtro dell'aria è sporco. | Pulire il filtro dell'aria. |
| | Il carburatore deve essere regolato. | Affidare la regolazione del carburatore all'officina di manutenzione. |
| Il motore si è surriscaldato. | Il livello dell'olio motore è insufficiente. | Rabboccare l'olio motore |
| | Il flusso d'aria non è sufficiente. | Pulire il filtro dell'aria e il relativo alloggiamento. |
| | Il carburatore deve essere regolato. | Affidare la regolazione del carburatore all'officina di manutenzione. |
| Si verifica un'accensione irregolare nel motore quando gira ad alta velocità. | La distanza tra gli elettrodi nella candela è troppo piccola. | Regolare la distanza tra gli elettrodi. |
| Rumori insoliti provenienti dal motore durante il carico normale. | Tipo di benzina non corretto. | Svuotare il serbatoio del carburante e il carburatore. Rifornire con benzina nuova. Fare riferimento a <i>Per il rifornimento del carburante alla pagina 167</i> . Se il problema persiste, rivolgersi al rivenditore di zona. |

| Problema | Possibile causa | Soluzione |
|---|---|---|
| Il motore non gira regolarmente al regime minimo. | La candela è sporca, difettosa o la distanza tra gli elettrodi è eccessiva. | Regolare la distanza tra gli elettrodi o sostituire la candela. |
| | Il carburatore deve essere regolato. | Regolare il carburatore. |
| | Il filtro dell'aria è sporco. | Pulire il filtro dell'aria. |

Trasporto, stoccaggio e smaltimento

Trasporto e conservazione

- Per trasportare e conservare il prodotto e il carburante, accertarsi che non vi siano perdite o fumi. Scintille o fiamme aperte, provocate ad esempio da dispositivi elettrici o caldaie, possono innescare un incendio.
- Utilizzare sempre contenitori approvati per la conservazione e il trasporto del carburante.
- Svuotare il serbatoio del carburante prima di riporre il prodotto per un lungo periodo di tempo. Smaltire il carburante presso un apposito centro di smaltimento
- Fissare in sicurezza il prodotto durante il trasporto per evitare danni o incidenti.
- Conservare il prodotto in un'area chiusa a chiave per impedire l'accesso a bambini o persone non autorizzate.

- Conservare il prodotto in un luogo asciutto e al riparo dal gelo.

Smaltimento

- Rispettare le norme locali sul riciclaggio e le normative vigenti.
- Smaltire tutte le sostanze chimiche, quali olio motore o carburante, presso un centro assistenza o un centro di smaltimento applicabili.
- Quando il prodotto non è più in uso, inviarlo a un rivenditore Husqvarna o smaltirlo presso un impianto di riciclo.

Dati tecnici

Dati tecnici

| | LC 140P | LC 140SP |
|---|--|--|
| Motore | | |
| Marchio | Husqvarna | Husqvarna |
| Nome modello motore | HS 123A | HS 123A |
| Tipo di motore | Cilindro singolo, 4 tempi, raffreddamento ad aria forzata, OHV | Cilindro singolo, 4 tempi, raffreddamento ad aria forzata, OHV |
| Cilindrata, cm ³ | 123 | 123 |
| Velocità, giri/min | 3000 | 3000 |
| Potenza nominale motore, kW ⁸⁷ | 1,95 | 1,95 |

⁸⁷ La potenza nominale del motore indicata corrisponde alla potenza netta media (al rapporto giri/min specificato) di un tipico motore in fase di produzione per il modello di motore misurato dalla normativa SAE J1349/ISO1585. I motori per produzione di massa potrebbero presentare un valore diverso da questo. La potenza effettiva del motore installato nel prodotto finale dipende dalla velocità di funzionamento, dalle condizioni ambientali e da altri valori.

| | LC 140P | LC 140SP |
|--|--------------------------------|--------------------------------|
| Impianto di accensione | | |
| Candela | Husqvarna HQT-7 | Husqvarna HQT-7 |
| Distanza tra gli elettrodi, mm | 0,7-0,8 | 0,7-0,8 |
| Carburante e sistema di lubrificazione | | |
| Tipo lubrificante del motore | Lubrificazione per sbattimento | Lubrificazione per sbattimento |
| Capacità serbatoio carburante, litri | 0,9 | 0,9 |
| Capacità serbatoio olio, litri | 0,5 | 0,5 |
| Olio motore ⁸⁸ | Husqvarna SAE 30 | Husqvarna SAE 30 |
| Peso | | |
| Con serbatoi vuoti, kg | 25,2 | 26,8 |
| Emissioni di rumore⁸⁹ | | |
| Livello potenza acustica, misurato dB(A) | 93 | 93 |
| Livello acustico, garantito, L _{WA} dB(A) | 95 | 95 |
| Livelli di rumorosità⁹⁰ | | |
| Livello di pressione sonora all'orecchio dell'operatore, dB(A) | 81 | 81 |
| Livelli di vibrazioni⁹¹ | | |
| Vibrazioni sul manubrio, m/s ² | 5,6 | 7,6 |
| Attrezzatura di taglio | | |
| Altezza di taglio, mm | 25-75 | 25-75 |
| Larghezza di taglio, mm | 400 | 400 |
| Apparato di taglio | Raccolta / scarico posteriore | Raccolta / scarico posteriore |
| Lame - standard | Raccolta 5873863-10 | Raccolta 5873863-10 |
| Capacità del sacco raccogliherba, litri | 50 | 50 |
| Trazione | | |
| Velocità conduzione automatica, km/h | – | 4 |

⁸⁸ Se l'olio SAE-30 viene utilizzato a temperature inferiori a +5 °C, vi è il rischio che non lubrifici sufficientemente il motore. Ciò può causare danni al motore. Fare riferimento a *Cambio dell'olio motore alla pagina 169* per informazioni sull'olio corretto da utilizzare in presenza di basse temperature.

⁸⁹ Emissioni di rumore nell'ambiente misurate come potenza sonora (L_{WA}) in base alla direttiva CE 2000/14/CE.

⁹⁰ I dati riportati per il livello di pressione acustica hanno una dispersione statistica tipica (deviazione standard) di 1,2 dB(A).

⁹¹ I dati riportati per il livello di vibrazioni presentano una dispersione statistica tipica (deviazione standard) di 0,2 m/s².

Dichiarazione di conformità CE

Dichiarazione di conformità CE

Husqvarna AB, SE-561 82 Huskvarna, Svezia, tel.:
+46-36-146500, dichiara che il **rasaerba Husqvarna**
LC 140P, LC 140SP, a partire dall'anno 2020 in poi, è
conforme alle norme previste nelle seguenti DIRETTIVE
DEL CONSIGLIO:

- dell'8 giugno 2011 sulla "restrizione dell'uso di determinate sostanze pericolose" **2011/65/UE**
- del 17 maggio 2006 "sulle macchine" **2006/42/CE**
- del 26 febbraio 2014 "sulla compatibilità elettromagnetica" **2014/30/UE**
- dell'8 maggio 2000 "sulle emissioni di rumore nell'ambiente" **2000/14/CE**

Per informazioni sulle emissioni acustiche, consultare i
Dati tecnici.

Sono state applicate le seguenti norme:

EN ISO 5395-1:2013, EN ISO 5395-1:2013/A1, EN ISO
5395-2:2013, EN ISO 5395-2:2013/A1:2016, EN ISO
5395-2:2013/A2:2017, EN ISO 14982:2009

Se non diversamente specificato, le norme sopra
elencate sono le ultime versioni pubblicate.

Organo competente: **0036, TÜV SÜD Industrie Service**
GmbH, Westendstrasse 199, 80686 München, Germany
ha effettuato la valutazione di conformità ai sensi della
direttiva 2000/14/CE, allegato VI.

Huskvarna, 2020-10-20



Claes Losdal, Responsabile sviluppo/Prodotti per il
giardino (rappresentante autorizzato per Husqvarna AB
e responsabile della documentazione tecnica)

目次

| | | | |
|---------------------|-----|-----------------------|-----|
| はじめに..... | 175 | エンジンのトラブルシューティング..... | 183 |
| 安全性..... | 176 | 搬送、保管、廃棄..... | 184 |
| 組立..... | 178 | 主要諸元..... | 184 |
| Operation (動作)..... | 179 | EC 適合宣言..... | 187 |
| メンテナンス..... | 180 | | |

はじめに

製品の説明

本製品は、手押し式ロータリー芝刈機です。芝はグラスキャッチャーに収集されます。芝を後方排出方式にするには、グラスキャッチャーを取り外してください。

製品の概要

(図 1)

1. ハンドル / ハンドルバー
2. ドライブベイル (LC 140SP)
3. スターターロープハンドル
4. グラスキャッチャー
5. 燃料タンク
6. エアフィルター
7. スパークプラグ
8. カuttingカバー
9. マフラー
10. 燃料タンクキャップ
11. 刈高調整レバー
12. 後部カバー
13. エンジンブレーキハンドル
14. シンボルマーク
15. 下部ハンドルアセンブリ
16. 下部ハンドル
17. 取扱説明書
18. オイルじょうご

製品に表記されるシンボルマーク

- (図 2) 警告！十分に注意し、本製品を正しく使用してください。本製品により、操作者や付近にいる人が重傷を負う、または死亡するおそれがあります。
- (図 3) この取扱説明書をよくお読みになり、内容をしっかりと把握したうえで、使用してください。
- (図 4) 飛び散ったり跳ね返ったりする物体に気を付けてください。
- (図 5) 作業領域と人や動物の間に安全な距離を保ってください。

用途

本製品は芝刈り用です。他の作業に本製品を使用しないでください。

- (図 6) 警告：回転しているブレードに手や足を近づけないでください。
- (図 7) 警告：回転部品に手や足を近づけないでください。
- (図 8) 修理やメンテナンスを行う前に、エンジンを切り、イグニッションケーブルを外してください。
- (図 9) この製品は EC 規格適合製品です。
- (図 10) 環境に対する騒音レベルは EC 指令に準拠しています。本製品の排出レベルは、主要諸元の章とステッカーに記載されています。
- (図 11) 火災を起こす危険性があります。
- (図 12) 排気ガスを吸わないようにしてください。エンジンの排気ガスには、無臭で有毒な危険性の高いガスである一酸化炭素が含まれます。屋内または閉鎖された空間でエンジンを始動しないでください。
- (図 13) 高温の表面。
- (図 14) 本製品を始動する前にエンジンオイルを充填してください。

注記：本製品に付いている他のシンボル / 銘板は、一部の商業地域に向けた認定条件を示します。

ユーロ V 排出規制



警告：エンジンを改造すると、この製品の EC 型式認証が無効になります。

製造物責任

製造物責任法に基づき、当社は、次の場合については本製品を原因とする損傷について責任を負いません。

- 本製品が誤って修理された場合。
- メーカーによるものではない部品、またはメーカーの認可していない部品を使用して本製品を修理した場合。

- メーカーによるものではないアクセサリ、またはメーカーの認可していないアクセサリを本製品に使用した場合。
- 認定サービスセンターまたは認定機関で本製品が修理されていない場合。

安全性

安全性の定義

警告、注意、注記は、取扱説明書の特に重要な部分を示しています。



警告： 取扱説明書の指示に従わない場合、使用者が負傷したり、死亡したりするか、あるいは付近の人に損傷を与える危険があることを意味します。



注意： 取扱説明書の指示に従わない場合、製品や他の物品、または隣接するエリアに損傷を与える危険があることを意味します。

注記： 特定の状況で必要とされる詳細情報を提供するために使用されます。

- 指示を理解していない人に本製品を操作させないでください。
- 身体的、精神的にハンテを負った人が本製品を使用する場合は常に監視してください。責任を有する大人が常にそばにいる必要があります。
- 疲労時、疾病時、アルコールや医薬品の影響が残っているときは、本製品を使用しないでください。視力、注意力、動作、判断力に悪影響を与えます。
- 本製品に不具合がある場合は使用しないでください。
- 本製品を改造しないでください。また、本製品が改造されている可能性がある場合は使用しないでください。
- エンジンの速度制御の調整を変更しないでください。

作業エリアの安全



警告： 本製品を使用する前に、以下の警告指示をお読みください。

一般的な安全注意事項



警告： 本製品を使用する前に、以下の警告指示をお読みください。

- 本製品は、慎重かつ適切に使用しないと、危険な道具となります。安全注意事項に従わないと、負傷や死亡事故が発生するおそれがあります。
- 本製品では、運転中に電磁場が発生します。この電磁場は、ある条件下でアクティブ、またはパッシブな医療用インプラントに影響を及ぼすことがあります。深刻な傷害または致命傷の危険を避けるため、医療用インプラントを使用している方は、本製品を使用する前に主治医および医療用インプラントの製造元に相談することをお勧めします。
- 常に常識に基づいて注意して使用してください。特殊な状況での本製品の操作方法がわからない場合、作業を続ける前に本製品を停止して、Husqvarna 販売店までご連絡ください。
- 第三者やその所有物に関係する場合、その責任は、作業員にあることを忘れないでください。
- 本製品は清潔に保ってください。標識やラベルがはっきりと読み取れるようにしてください。
- 取扱説明書を読んで内容を理解した人のみ本製品を使用させてください。
- 子供に本製品を操作させないでください。
- 子供を作業エリアに近づけないでください。責任を有する大人が常にそばにいる必要があります。

- 本製品を使用する前に、大小の枝や石などの物体を作業範囲から取り除いてください。
- カutting装置にぶつかった物体がはじかれて、人が怪我をしたり物が損傷したりするおそれがあります。本製品から周囲の人や動物との安全な距離を保ってください。
- 霧、雨、強風、極寒、雷の危険などの悪天候下で本製品を使用しないでください。悪天候下や、湿気のある場所、濡れた場所で本製品を使用すると疲労します。悪天候の場合、路面が滑りやすくなるなど、危険な状態を引き起こすことがあります。
- 製品の安全な操作を妨げる可能性がある人、物、状況に注意してください。
- 根、石、小枝、窪み、溝などの障害物に注意してください。長い芝の中に障害物が隠れていることがあります。
- 斜面で芝を刈ることは危険を伴います。15 度を超える斜面では、本製品を使用しないでください。
- 斜面を横切りながら本製品を操作してください。上下に移動しないでください。
- 陰になった隅や視界を遮るものに近づくときは気を付けてください。

安全な作業



警告：本製品を使用する前に、以下の警告指示をお読みください。

- 本製品は芝生刈りにのみ使用してください。他の作業には使用できません。
- 身体保護具を使用してください。使用者の身体保護具 177 ページを参照してください。
- 緊急時にエンジンをすばやく停止する方法を必ず確認してください。
- 閉鎖された空間または可燃性物質の近くでエンジンを始動しないでください。エンジンの排気ガスは高温で火花を含むことがあり、火災発生の原因となります。
- ブレードやすべてのカバーを適切に装着してから本製品を始動させてください。ブレードが適切に装着されていないと、緩んで、怪我をすることがあります。
- ブレードが石や根などの物体にぶつからないように気を付けてください。ブレードが損傷したり、エンジンシャフトが曲がりたりするおそれがあります。シャフトが曲がると振動が激しくなり、ブレードが緩む危険性が非常に高くなります。
- ブレードが物に当たったり振動が発生したりした場合は、すぐに本製品を停止してください。スパークプラグからイグニッションケーブルを外してください。製品に損傷がないか点検します。損傷部を修復するか、正規サービス代理店に修理を依頼してください。
- エンジンの始動時は、エンジンブレーキハンドルをハンドルに完全に固定しないでください。
- 製品を平らで安定した面に置き、始動します。ブレードが地面やその他の物に触れないよう、注意してください。
- 本製品の操作時は、必ず製品の後ろに立ってください。
- 製品を操作するときは、すべてのホイールを地面につけ、両手でハンドルをつかんで操作してください。回転しているブレードに手や足を近づけないでください。
- エンジンの作動中は、本製品を傾けないでください。
- 製品を後方に引くときは注意してください。
- エンジンの作動中は、本製品を持ち上げないでください。エンジンを持ち上げる必要がある場合は、最初にエンジンを停止し、スパークプラグからイグニッションケーブルを取り外してください。
- 本製品を操作するときは、後ろ向きに歩かないでください。
- 砂利、石、アスファルトなど、芝面以外の領域を横切るときは、エンジンを停止してください。
- エンジンの作動中は、本製品を操作しながら走らないでください。製品を操作するときは、必ず歩いてください。

- 刈高を変更する場合は、まずエンジンを停止してください。エンジンが作動している状態での調整は決して行わないでください。
- エンジンが作動している状態で、見えない場所に製品を放置しないでください。エンジンを停止し、カッティング装置が回転していないことを確認してください。

操作のための安全注意事項

使用者の身体保護具



警告：本製品を使用する前に、以下の警告指示をお読みください。

- 身体保護具で怪我を完全に防止できるわけではありませんが、万が一事故が起こった場合、負傷の度合いを軽減することができます。適切な保護具の選択については、販売店にご相談ください。
- 騒音レベルが 85 dB を超える場合は、イヤマフを使用してください。
- 丈夫で滑りやすいブーツや靴を着用してください。開放部の多い靴を使用したり、裸足で作業を行ったりしないでください。
- 厚手の長ズボンを着用してください。
- カッティング装置の取り付け、点検、清掃を行う場合は、必要に応じて保護グローブを着用してください。

本製品の安全装置



警告：本製品を使用する前に、以下の警告指示を読んでください。

- 安全装置に欠陥のある製品は使用しないでください。
- 安全装置は定期的に点検してください。安全装置に欠陥がある場合は、Husqvarna サービス代理店にご相談ください。

カッティングカバーの点検方法

カッティングカバーは、本製品の振動を抑え、ブレードで負傷する危険性を低減します。

- カッティングカバーを点検して、亀裂などの損傷がないことを確認してください。

エンジンブレーキハンドルの点検

エンジンブレーキハンドルは、エンジンを停止させるためのものです。エンジンブレーキハンドルを放すと、エンジンが停止します。

- エンジンを始動して、エンジンブレーキハンドルを放します。エンジンが 3 秒で停止しない場合は、Husqvarna の認証サービス代理店にエンジンブレーキの調整を依頼してください。(図 15)

マフラー

マフラーは騒音レベルを最小限に抑え、排気ガスを作業者から遠ざける働きをします。

マフラーがない場合や損傷がある場合は、製品を使用しないでください。マフラーに損傷があると、騒音レベルと火災発生の危険が増加します。



警告：使用中、使用直後およびエンジンがアイドリング速度で稼働しているときはマフラーが高温になります。可燃性の材料やガスの近くでは火災に注意してください。

燃料の安全について



警告：本製品を使用する前に、以下の警告指示をお読みください。

- 本製品に燃料やエンジンオイルが付着している場合は始動しないでください。不要な燃料やオイルを本製品から除去し、乾かしてください。
- 衣服にガソリンをこぼした場合は、すぐに着替えてください。
- 燃料が身体に付着しないようにしてください。負傷する場合があります。身体に燃料が付着した場合は、石鹸と水を使用して燃料を洗い流してください。
- エンジンに漏れがある場合は、本製品を始動しないでください。エンジンに漏れないかどうかは定期的に点検してください。
- 燃料に注意してください。燃料は可燃性で蒸気には爆発性があるため、負傷や死亡に至ることがあります。
- 燃料の蒸気を吸引しないでください。負傷の原因になることがあります。十分な空気の流れを確保してください。
- 燃料やエンジンのそばで喫煙しないでください。
- 燃料やエンジンのそばに温かい物を置かないでください。
- エンジンの稼働中は、燃料を補充しないでください。
- 燃料の補充は、エンジンが冷えてからにしてください。
- 燃料を補充する前に、燃料タンクのキャップを開けて慎重に圧力を解放してください。

- 屋内でエンジンに燃料を補充しないでください。十分な空気の流れがないと、窒息や一酸化炭素中毒によって負傷や死亡に至ることがあります。
- 燃料タンクキャップを完全に締め込んでください。燃料タンクキャップが締め込まれていない場合、火災発生の危険があります。
- 始動する前に、燃料を充填した場所から本製品を3 m (10 フィート) 以上移動させてください。
- 燃料タンクいっぱいには充填しないでください。高温になると、燃料が膨張します。燃料タンクの上部に余裕があるようにください。

メンテナンスのための安全注意事項



警告：本製品を使用する前に、以下の警告指示をお読みください。

- エンジンの排気ガスには、無臭で有毒な危険性の高いガスである一酸化炭素が含まれます。屋内または閉鎖された空間でエンジンを始動しないでください。
- 本製品のメンテナンスを実施する前に、エンジンを停止し、スパークプラグからイグニッションケーブルを取り外してください。
- カutting装置のメンテナンスを実施するときは、保護グローブを使用してください。ブレードは非常に鋭いため、切り傷を負う危険性があります。
- メーカーが認めていないアクセサリーの使用や本製品の改造は、重傷や死亡事故の原因となるおそれがあります。本製品を改造しないでください。必ず、メーカー認可済みのアクセサリーを使用してください。
- メンテナンスが正しく定期的には実施されていない場合は、負傷や本製品の損傷の危険性が高まります。
- 取扱説明書に記載されているメンテナンスのみを実施してください。他のすべてのサービス作業は、Husqvarna の認証サービス代理店が実施する必要があります。
- Husqvarna の認証サービス代理店で定期的に本製品のサービス作業を実施する必要があります。
- 損傷、摩耗、破損した部品は交換してください。

組立

ハンドルの組み立て

1. ネジ (A) をハンドル (B)、プラスチックワッシャー (C)、ハンドルサポートブラケット (D) に通します。(図 16)
2. ナット (E) を完全に締め込みます。
3. ネジ (F) をワッシャー (G) とハンドルサポートブラケットに通します。
4. ノブ (H) を完全に締め込みます。

5. ハンドルバーの穴を下部ハンドルの穴に合わせ、ネジ、ワッシャー、ノブを取り付けます。ノブを完全に締め込みます。(図 17)
6. ケーブルホルダーでケーブルをハンドルに取り付けます。(図 18)

注記：ケーブルの張力が高すぎないようにしてください。ケーブルの張力が高すぎると、ハンドルを搬

送位置に折り畳んだ場合にケーブルが破損するおそれがあります。

7. ハンドルの下部にあるフックにケーブルを掛けます。(図 19)

ハンドルの高さの調節方法

1. 下側ノブを緩めます。(図 20)
2. 左右にあるノブ、ワッシャー、ネジを取り外します。
3. ハンドルは 2 種類の高さに設定できます。左右にある 2 つの穴のいずれかにネジを取り付けます。(図 21)
4. ネジ、ワッシャー、ノブを取り付けます。
5. ノブをハンドル方向に、カチッと音がするまで上方に動かします。ノブを完全に締め込みます。(図 22)

製品を搬送位置にセットする方法

1. グラスキャッチャーを取り外します。
2. 上部ハンドルにあるノブを緩めて、ハンドルを下側に折り畳みます。(図 23)
3. 下側ノブを緩めます。
4. 本製品の左右にある溝の下端までノブを動かします。(図 24)

5. ハンドルを前側に折り畳みます。(図 25)

製品を操作位置にセットする方法

1. 下部ハンドルが操作位置にロックされるまでハンドルバーを持ち上げます。(図 26)
2. ノブをハンドル方向に、カチッと音がするまで上方に動かします。
3. ノブを完全に締め込みます。(図 27)
4. ハンドルバーの上部を持ち上げます。
5. ノブを完全に締め込みます。(図 28)

グラスキャッチャーの組み付け方法

1. グラスキャッチャーの上側部品をグラスキャッチャーの下側部品に取り付けます。(図 29)
2. グラスキャッチャーフレームをクリップで取り付けます。(図 30)
3. 後部カバーを持ち上げます。
4. グラスキャッチャーのフックをシャーシの上端に取り付けます。(図 31)
5. グラスキャッチャーの下部を芝の排出口に入れます。

Operation (動作)

はじめに



警告： 本製品を操作する前に、安全に関する章をお読みになり、内容を理解してください。

Husqvarna Connect

Husqvarna Connect は、モバイルデバイス用の無料アプリです。Husqvarna Connect アプリは、お持ちの Husqvarna 製品の拡張機能を提供します。

- 拡張製品情報。
- 製品の部品とサービスに関する情報とヘルプ。

Husqvarna Connect の使い方

1. Husqvarna Connect アプリをモバイルデバイスにダウンロードします。
2. Husqvarna Connect アプリで登録を行います。
3. Husqvarna Connect アプリの指示に沿って、製品を接続して登録します。

本製品を操作する前に

1. この取扱説明書をよくお読みになり、内容をしっかりと把握してください。
2. カutting装置を点検し、正しく取り付けられ、調整されていることを確認します。Cutting装置の点検方法 181 ページを参照してください。

3. 燃料タンクを充填します。燃料の充填方法 179 ページを参照してください。
4. オイルタンクにオイルを注入し、油面をチェックします。オイルレベルのチェック 182 ページを参照してください。

燃料の充填方法

入手できる場合は、低排出グレードのガソリンまたはアルキレート燃料を使用してください。低排出グレードのガソリンまたはアルキレート燃料を使用できない場合は、高品質の無鉛プレミアムガソリンを使用するか、オクタン価が 91 以上の無鉛ガソリンを使用してください。



注意： オクタン価が 91 RON 未満のガソリンは使用しないでください。本製品が損傷する場合があります。



注意： 必要に応じて、燃料フィルターを年 1 回以上交換します。新しい燃料フィルターは Husqvarna 販売店で購入できます。



注意： 燃料を充填する前は常にエンジンを停止します。



注意： 圧搾点火燃料は使用しないでください。

1. 燃料タンクキャップをゆっくりと開いて、圧力を解放します。
2. 燃料缶を使用してゆっくり補充してください。燃料をこぼした場合は、布で拭き取り、残った燃料を乾燥させてください。(図 32)
3. 燃料タンクキャップの周囲をきれいにしてください。
4. 燃料タンクキャップを完全に締め込んでください。燃料タンクキャップが締め込まれていない場合、火災発生の危険があります。
5. 始動する前に、燃料を充填した場所から本製品を 3 m (10 フィート) 以上移動させてください。

刈高の設定方法

1. 刈高を高くするには、刈高レバーを後方に動かします。
2. 刈高を低くするには、刈高レバーを前方に動かします。(図 33)



注意： 刈高を低く設定しすぎないでください。芝生の表面が水平でない場合、ブレードが地面に当たるおそれがあります。

本製品の始動方法

1. イグニッションケーブルがスパークプラグに接続されていることを確認してください。
2. 製品の後ろに立ってください。
3. エンジンブレーキハンドルをハンドルバーの方へ引きます。(図 34)
4. 右手でスターターロープハンドルを握ります。

5. 抵抗を感じるまで、スターターロープをゆっくりと引き出します。
6. 力を入れて引き、エンジンを始動します。



警告： スターターロープを手に巻き付けしないでください。

ドライブホイールの使用

- ハンドルバーの方向にドライブペイルを押します。(図 35)
- 障害物に近づいたときなどは、ドライブペイルを放してドライブを解除します。
- ドライブを解除し、本製品を約 10 cm 前方に押してから、後ろ向きに引きます。

本製品を停止するには

- ドライブのみを停止するには、ドライブペイルを解除します。
- エンジンを停止するには、エンジンブレーキハンドルを放します。

良好に芝を刈る方法

- 必ず鋭利なブレードを使用してください。ブレードが鈍っていると、刈り取りにばらつきが出て、芝の切口が黄ばみます。鋭利なブレードを使用すると、鈍いブレードを使用した場合より労力が少なくて済みます。
- 芝の長さの $\frac{1}{3}$ 以上刈らないでください。まず刈高を高く設定して刈ります。結果を確認し、必要なレベルまで刈高を下げます。芝がかなり長い場合は、ゆっくり運転し、必要に応じて刈り取り作業を 2 回行ないます。
- 1 回目と 2 回目は別の方向に向かって刈り、芝面に筋がつかないようにします。

メンテナンス

はじめに



警告： メンテナンスを行う前に、安全に関する章をお読みにになり、内容を理解してください。

本製品のすべての整備と修理作業には、特別な訓練が必要です。当社では責任をもって専門的な修理と整備作業を提供します。お客様の販売店がサービス代理店でない場合は、最寄りのサービス代理店に関する情報をお問い合わせください。

メンテナンススケジュール



注意： 製品を傾けるときは、エアフィルターを上向きにし、地面に接触しないようにしてください。エンジンが損傷する可能性があります。

メンテナンス間隔は、本製品が毎日使用されることを前提に算出されています。本製品を毎日使用しない場合は、メンテナンス間隔が変わります。

「*」が付いているメンテナンスについては、「本製品の安全装置 177 ページ」を参照してください。

| メンテナンス | 毎日 | 毎月 | 季節ごと |
|---------|----|----|------|
| 一般点検の実施 | X | | |
| 油面の点検 | X | | |

| メンテナンス | 毎日 | 毎月 | 季節ごと |
|---|----|----|------|
| オイルの交換 (最初は 5 時間の使用後、その後は 50 時間の使用ごと) ⁹² | | | X |
| 製品の洗浄 | X | | |
| カッティング装置の点検 | X | | |
| カッティングカバーの点検* | X | | |
| エンジンプレーキハンドルの点検* | X | | |
| マフラーの点検* | | X | |
| スパークプラグを点検します。必要に応じてスパークプラグを清掃または交換します。 | | | X |
| エアフィルターの点検 | X | | |
| エアフィルターの清掃 ⁹³ | | X | |
| エアフィルターの交換 | | | X |
| 燃料システムの点検 | | | X |
| シリンダーの冷却フィンを清掃します | | X | |
| クラッチワイヤーの点検と調整 (LC 140SP) | | | X |

一般点検の実施方法

- 本製品のナットとネジがしっかりと締め込まれていることを確認してください。

製品外部を洗浄するには

- ブラシで、葉、草、土を取り除いてください。
- エンジン上部の空気取り込み口が塞がれていないことを確認してください。
- 本製品の清掃には高圧水を使用しないでください。
- 水を使用して製品を洗浄する場合は、エンジンに直接水をかけないでください。

カッティングカバーの内面の清掃

- 燃料タンクを空にします。
- 本製品を傾けます。スパークプラグが上向きになっていることを確認します。



注意：製品にエアフィルターを取り付けている場合は、エンジンが破損することがあります。

- ホースを使ってカッティングカバーの内側の表面を水で洗浄します。

カッティング装置の点検方法



警告：誤って始動しないように、イグニッションケーブルをスパークプラグから取り外します。



警告：カッティング装置のメンテナンスを実施するときは、保護グローブを着用してください。ブレードは非常に鋭いため、切り傷を負う危険性があります。

- カッティング装置に損傷やひび割れがないかどうか点検してください。損傷したカッティング装置は必ず交換してください。
- ブレードが破損していないか、鈍くなっていないかを確認してください。

注記：ブレードの目立て後は、ブレードのバランス調整が必要です。サービスセンターに依頼して、ブレードの目立て、交換、バランス調整を受けてください。製品が障害物に当たって停止した場合は、破損したブレードを交換してください。サービスセンターに依頼して、ブレードの目立てが可能かどうか、交換が必要かどうかを判断してもらってください。

ブレードの交換方法

- ブレードを木製ブロックでロックします。(図 36)

⁹² 本製品を高負荷の作業または高温の場所で使用する場合は、25 時間ごとにエンジンオイルを交換してください。

⁹³ 埃っぽい環境や空中に碎片がある環境ではより頻繁に清掃してください。汚れがひどい場合は、エアフィルターを交換します。

- ブレードボルトを取り外します。
- ブレードを外します。
- ブレードサポートとブレードボルトに破損がないかどうか点検します。
- エンジンシャフトが曲がっていないかどうか点検します。
- 新しいブレードを取り付けるときは、角度がついたブレードの端の部分をカッティングカバー方向に向けます。(図 37)
- ブレードがエンジンシャフトの中心と合っていることを確認します。
- ブレードを木製ブロックでロックします。スプリングワッシャーを取り付け、ボルトとワッシャーを 45-60 Nm のトルクで締め付けます。(図 38)
- 手でブレードを引き回して、引っかかりなく回転することを確認します。



警告： 丈夫な作業用手袋を着用してください。ブレードは非常に鋭利なため、切り傷を負う危険性があります。

- 製品を始動してブレードのテストを実施します。ブレードが正しく取り付けられていない場合、製品に振動が発生するか、良好な刈り取り結果を得られません。

オイルレベルのチェック



注意： 油面が低すぎると、エンジンが損傷することがあります。製品を始動する前に油面を点検してください。

- 本製品を水平面に置きます。
- オイルレベルゲージが付いているオイルタンクキャップを取り外します。
- オイルレベルゲージのオイルを拭き取ります。
- 油面の正しい状況を知るには、オイルタンクにディップスティックを完全に入れます。
- オイルレベルゲージを外します。
- オイルレベルゲージで油面を点検します。
- 油面が低すぎる場合は、エンジンオイルを充填し、もう一度油面をチェックします。

注記： 飛び散らないようにじょうごを使用します。

エンジンオイルの交換



警告： エンジンの停止直後は、エンジンオイルが非常に高温になっています。エンジンオイル排出前にエンジンを冷ましてください。エンジンオイルが皮膚に触れた場合は、石鹸と水で洗ってください。

(図 39)

注記： 4 ストロークエンジンオイルを使用します。周囲の気温に適した粘度を使用します。

- 燃料タンクが空になるまで、製品を運転してください。
- スパークプラグからイグニッションケーブルを取り外します。
- オイルタンクキャップを取り外します。
- オイルポンプ(別売り)を使ってオイルタンクからエンジンオイルを排出します。
- 主要諸元 184 ページで推奨されているタイプの新しいエンジンオイルを充填します。
- 油面をチェックします。オイルレベルのチェック 182 ページを参照してください。

発泡プラスチックフィルターを清掃するには

- エアフィルターカバーを取り外して、発泡プラスチックフィルターを取り出します。
- 石鹸と水で発泡プラスチックフィルターを清掃します。
- きれいな水で発泡プラスチックフィルターを洗い流します。
- 発泡プラスチックフィルターの水を絞り、乾燥させます。



注意： 圧縮空気を使用しないでください。発泡プラスチックフィルターが破損するおそれがあります。

- 発泡プラスチックフィルターにエンジンオイルを注油します。
- 清潔な布で、発泡プラスチックフィルターの不要なオイルを拭き取ります。
- エアフィルターを再び取り付けます。エアフィルターとエアフィルターホルダーとの間に隙間ができないようにしてください。
- エアフィルターカバーを再び取り付けます。

スパークプラグを点検するには



注意： 必ず、推奨されている種類のスパークプラグを使用してください。スパークプラグの種類が間違っていると、本製品が破損するおそれがあります。

- エンジンのパワーが出ない、なかなか始動しない、またはアイドルリング速度で適切に動作しない場合は、スパークプラグを点検します。
- スパークプラグ電極に異物が付着するリスクを下げるには、次の手順に従います。
 - アイドルリング速度が正しく調整されていることを確認します。
 - 適切な燃料混合物を使用していることを確認します。
 - エアフィルターに汚れないことを確認します。

- ・ スパークプラグが汚れていたら、きれいにしてから電極ギャップが適切であることを確認します。主要語元 184 ページを参照してください。(図 40)
- ・ 必要に応じてスパークプラグを交換します。

燃料システムを点検するには

- ・ 燃料タンクキャップと燃料タンクキャップのシールを確認し、破損していないことを確認します。
- ・ 燃料ホースを点検し、漏れがないことを確認します。燃料ホースが破損している場合は、サービス代理店に交換を依頼してください。

クラッチワイヤーの調整 (LC 140SP)

以下の状況では、クラッチワイヤーを短くする必要があります。

- ・ ドライブペダルまたはスピードコントロールレバーを引いたときに、ホイールの駆動が噛み合わない。

- ・ ホイールの駆動力がかかると、本製品がゆっくりと動く。

以下の状況では、クラッチワイヤーを長くする必要があります。

- ・ ホイールの駆動力がかかっていないときに本製品が動く。
- ・ クラッチワイヤーの調整
 - a) クラッチワイヤーを短くするには、調整ネジを反時計回りに回します。
 - b) クラッチワイヤーを長くするには、調整ネジを時計回りに回します。(図 41)

調整後も本製品の運転に不具合があるない場合は、販売店にお問い合わせください。

エンジンのトラブルシューティング

| 問題 | 考えられる原因 | 解決策 |
|------------------|---------------------------|---|
| エンジンが始動しない。 | イグニッションケーブルが正しく接続されていません。 | イグニッションケーブルをスパークプラグに接続します。 |
| | 燃料タンクが空です。 | 燃料タンクに適切なタイプの燃料を充填します。 |
| | 燃料が古くなっています。 | 燃料タンクとキャブレターから燃料を抜き取ります。新しいガソリンを入れてください。 |
| | キャブレターまたは燃料ラインに異物があります。 | キャブレターまたは燃料ラインを清掃します。 |
| | スパークプラグに不具合があります。 | 電極間隔を調節するか、スパークプラグを清掃または交換します。 |
| | スパークプラグに燃料がついています。 | スパークプラグを清掃します。 |
| エンジンが停止しない。 | 停止機構に不具合があります。 | スパークプラグからイグニッションケーブルを外してください。本製品の修理は販売店に依頼してください。 |
| エンジンがスムーズに動作しない。 | イグニッションケーブルが正しく接続されていません。 | イグニッションケーブルをスパークプラグに接続します。 |
| | 燃料ラインに汚れがあるか、燃料が古くなっています。 | 燃料ラインを清掃します。適切な種類の新しい燃料を燃料タンクに充填します。 |
| | 燃料タンクキャップに詰まりがあります。 | 燃料タンクキャップを清掃します。 |
| | 燃料システムに水または汚れが入っています。 | 燃料タンクを空にします。適切な種類の新しい燃料を燃料タンクに充填します。 |
| | エアフィルターが汚れています。 | エアフィルターを清掃します。 |
| | キャブレターを調整する必要があります。 | 販売店にキャブレターの調整を依頼してください。 |

| 問題 | 考えられる原因 | 解決策 |
|---------------------------|---------------------------------|--|
| エンジンが過熱しています。 | エンジンオイルレベルが低すぎます。 | エンジンオイルを充填します。 |
| | エアフローが十分ではありません。 | エアフィルターとエアフィルターハウジングを清掃します。 |
| | キャブレターを調整する必要があります。 | 販売店にキャブレターの調整を依頼してください。 |
| 高速運転中にエンジンが失火する。 | スパークプラグの電極間隔が小さすぎます。 | 電極間隔を調整します。 |
| 通常の負荷でエンジンから異音がする。 | ガソリンの種類が違います。 | 燃料タンクとキャブレターから燃料を抜き取ります。新しいガソリンを入れてください。燃料の充填方法 179 ページを参照してください。問題が解決しない場合は、販売店にお問い合わせください。 |
| エンジンがアイドリング速度でスムーズに動作しない。 | スパークプラグに汚れや不具合があるか、電極間隔が大きすぎます。 | 電極間隔を調節するか、スパークプラグを交換します。 |
| | キャブレターを調整する必要があります。 | キャブレターを調整します。 |
| | エアフィルターが汚れています。 | エアフィルターを清掃します。 |

搬送、保管、廃棄

搬送と保管

- 本製品と燃料を保管、搬送する場合は、漏れや煙がないことを確認してください。電気装置やボイラーなどからの火花や裸火により、火災が発生する場合があります。
- 燃料を保管、搬送する場合は必ず、認証されたコンテナを使用してください。
- 本製品を長期間、保管場所に入れる場合は、燃料タンクを空にしてください。燃料は適切な廃棄場所に廃棄してください。
- 搬送中は本製品を安全に接続して、損傷や事故を防止してください。
- 本製品は鍵のかかる場所に保管して、子供や許可を得ていない人が近づけないようにしてください。

- 本製品は、乾燥した霜の降りない場所に保管します。

廃棄

- 地域のリサイクル要件および適用される法規に従ってください。
- すべての化学物質（エンジンオイルや燃料など）はサービスセンターまたは適切な廃棄場所に廃棄してください。
- 本製品が不要になった場合は、Husqvarna 販売店に送付するか、リサイクル施設で廃棄してください。

主要諸元

主要諸元

| | LC 140P | LC 140SP |
|-------------|-----------|-----------|
| エンジン | | |
| ブランド | Husqvarna | Husqvarna |
| エンジンモデル名 | HS 123A | HS 123A |

| | LC 140P | LC 140SP |
|------------------------------------|--------------------------|--------------------------|
| エンジンタイプ | 1 シリンダー、4 ストローク、強制空冷、OHV | 1 シリンダー、4 ストローク、強制空冷、OHV |
| 排気量、cm ³ | 123 | 123 |
| 回転速度、r/min | 3000 | 3000 |
| 公称エンジン出力、kW ⁹⁴ | 1.95 | 1.95 |
| イグニションシステム | | |
| スパークプラグ | Husqvarna HQT-7 | Husqvarna HQT-7 |
| 電極ギャップ、mm | 0.7~0.8 | 0.7~0.8 |
| 燃料および潤滑システム | | |
| エンジンの潤滑タイプ | はねかけ式 | はねかけ式 |
| 燃料タンク容量、リットル | 0.9 | 0.9 |
| 燃料タンク容量、リットル | 0.5 | 0.5 |
| エンジンオイル ⁹⁵ | Husqvarna SAE 30 | Husqvarna SAE 30 |
| 質量 | | |
| 燃料タンクが空の場合 (kg) | 25.2 | 26.8 |
| 騒音排出⁹⁶ | | |
| 音響パワーレベル、測定、dB (A) | 93 | 93 |
| 音響パワーレベル、保証、L _{WA} dB (A) | 95 | 95 |
| 音量レベル⁹⁷ | | |
| 使用者の耳における音圧レベル、dB (A) | 81 | 81 |
| 振動レベル⁹⁸ | | |
| ハンドルバーの振動レベル、m/s ² | 5.6 | 7.6 |
| カッティング装置 | | |
| 刈高、mm | 25~75 | 25~75 |
| 刈幅、mm | 400 | 400 |
| カッティングシステム | 集草 / 後方排出 | 集草 / 後方排出 |
| ブレード - 標準 | 集草 5873863-10 | 集草 5873863-10 |
| グラスキャッチャーの容量、リットル | 50 | 50 |
| ドライブ | | |

⁹⁴ 表示エンジンの電気定格は、(指定 r/min での)平均実質電気出力で、SAE 基準 J1349/ISO1585 で測定したエンジンモデル向けの一般生産エンジンに対応しています。大量生産用エンジンは、この値と異なることがあります。最終製品に据え付けたエンジンの実際の電気出力は、運転スピード、環境状態およびその他の値によって異なります。

⁹⁵ +5 °C 以下の気温で SAE-30 オイルを使用した場合、エンジンが十分に潤滑されない可能性があります。これにより、エンジンが損傷するおそれがあります。低温に適したオイルについては *エンジンオイルの交換* 182 ページを参照してください。

⁹⁶ 環境における騒音の排出は、EC 指令 2000/14/EC に従って、音響パワー (L_{WA}) として測定。

⁹⁷ 報告データによれば、騒音音圧レベルの一般的な統計上のばらつき (標準偏差) は、1.2 dB (A) です。

⁹⁸ 報告データによれば、等価振動レベルの一般的な統計上のばらつき (標準偏差) は、0.2 m/s² です。

| | LC 140P | LC 140SP |
|-----------|---------|----------|
| 自走速度、km/h | - | 4 |

EC 適合宣言

EC 適合性宣言

Husqvarna AB、SE-561 82 Huskvarna、スウェーデン、電話：+46-36-146500 は、2020 年以降に製造された芝刈機 Husqvarna LC 140P, LC 140SP が、評議会指令 (COUNCIL'S DIRECTIVE) の規定に適合していることを宣言します。

- 2011 年 6 月 8 日付「電気・電子製品に含まれる特定有害物質の使用制限に関する」**2011/65/EU**
- 2006 年 5 月 17 日付「機械類に関する」**2006/42/EC**
- 2014 年 2 月 26 日付「電磁波適合性に関する」**2014/30/EU**
- - 2000 年 5 月 8 日付「環境への騒音排出に関する」**2000/14/EC**

騒音排出に関する情報は、主要諸元を参照してください。

次の標準規格にも適合しています。

EN ISO 5395-1:2013, EN ISO 5395-1:2013/A1, EN ISO 5395-2:2013, EN ISO 5395-2:2013/A1:2016, EN ISO 5395-2:2013/A2:2017, EN ISO 14982:2009

別途記載のない限り、上記規格が最新版です。

試験機関：0036, TÜV SÜD Industrie Service GmbH, Westendstrasse 199, 80686 München, Germany は、評議会指令 2000/14/EC の付録 VI に基づいて適合性評価を実施しました。

Huskvarna, 2020-10-20



開発マネージャー / ガーデン製品担当 Claes Losdal (ハスクバーナ AB 正式代表兼技術文書担当)

TURINYS

| | | | |
|-------------------------|-----|--|-----|
| Ivadas..... | 188 | Variklio triukčių šalinimas..... | 196 |
| Sauga..... | 189 | Transportavimas, saugojimas ir utilizavimas..... | 197 |
| Surinkimas..... | 191 | Techniniai duomenys..... | 197 |
| Naudojimas..... | 192 | EB atitikties deklaracija..... | 199 |
| Techninė priežiūra..... | 193 | | |

Ivadas

Gaminio aprašas

Šis produktas yra savaeigė sukamoji vejapjovė. Žolė renkama į žolės rinktuvą. Jei norite, kad žolė būtų išmetama per galą, išimkite žolės rinktuvą.

Gaminio apžvalga

(Pav. 1)

1. Rankena / valdymo rankena
2. Pavaros rankena (LC 140SP)
3. Starterio virvės rankena
4. Žolės rinktuvas
5. Degalų bakelis
6. Oro filtras
7. Uždegimo žvakė
8. Pjovimo gaubtas
9. Duslintuvas
10. Alyvos bakelio dangtelis
11. Pjovimo aukščio reguliavimo svirtis
12. Galinis gaubtas
13. Variklio stabdymo rankena
14. Ženklai
15. Apatinės rankenos komplektas
16. Apatinė rankena
17. Naudojimo instrukcija
18. Alyvos piltuvėlis

Simboliai ant gaminio

- (Pav. 2) ĮSPĖJIMAS! Būkite atsargūs ir tinkamai naudokite gaminį. Šis gaminys gali rimtai sužeisti arba pražudyti naudotoją arba aplinkinius.
- (Pav. 3) Prieš naudodami, atidžiai perskaitykite naudojimo instrukciją ir įsitikinkite, kad viską gerai supratote.
- (Pav. 4) Saugokitės išmetamų ir rikošetu atšokusių daiktų.
- (Pav. 5) Asmenims ir gyvūnams būtina laikytis saugaus atstumo nuo darbo zonos.

Numatytasis naudojimas

Gaminį naudokite žolei pjauti. Nenaudokite gaminio kitiems darbams.

- (Pav. 6) Įspėjimas: Saugokite rankas bei kojas ir nekiškite jų prie besisukančio peilio.
- (Pav. 7) Įspėjimas: Saugokite rankas bei kojas ir nekiškite jų prie besisukančių dalių.
- (Pav. 8) Prieš taisydami ar prižiūrėdami sustabdykite variklį ir atjunkite uždegimo kabelį.
- (Pav. 9) Šis įrenginys atitinka jam taikomas EB direktyvas.
- (Pav. 10) Į aplinką skleidžiamas triukšmas atitinka Europos Bendrijos direktyvą. Gaminio emisijos nurodytos skyriuje „Techniniai duomenys“ ir ant etiketės.
- (Pav. 11) Gaisro pavojus.
- (Pav. 12) Neįkvėpkite išmetamųjų dujų. Variklio išmetamosiose dujose yra anglies monoksido – nuodingų, bekvapių ir labai pavojingų dujų. Nepaleiskite variklio patalpose ar uždarose erdvėse.
- (Pav. 13) Įkaitęs paviršius.
- (Pav. 14) Pripilkite į variklį alyvos prieš paleisdami gaminį.

Pasižymėkite: Kiti ant gaminio pateikti simboliai (lipdukai), skirti kitų komercinių teritorijų sertifikavimo reikalavimams.

„Euro V“ standartas



PERSPĖJIMAS: Variklio modifikavimas panaikina šio produkto ES tipo patvirtinimą.

Atsakomybė už gaminį

Kaip nurodyta atsakomybės už gaminį įstatymuose, mes nesame atsakingi už mūsų gaminio sukeltą žalą, jei:

- gaminys netinkamai suremontuotas;
- gaminys suremontuotas naudojant kito gamintojo arba gamintojo nepatvirtintas dalis;

Sauga

Saugos ženklų reikšmės

Įspėjimai, perspėjimai ir pastabos yra skirtos atkreipti dėmesį į ypač svarbias vadovo dalis.



PERSPĖJIMAS: Naudojamas, kai naudotojui ar šalia esantiems asmenims kyla mirtino arba sunkaus sužeidimo pavojus arba, jei nesilaikoma vadove pateiktų nurodymų.



PASTABA: Naudojamas, kai kyla pavojus sugadinti gaminį, kitas medžiagas arba padaryti žalą aplinkai, jei nesilaikoma vadove pateiktų nurodymų.

Pasižymėkite: Naudojamas papildomai informacijai apie konkrečią situaciją pateikti.

Bendrieji saugos nurodymai



PERSPĖJIMAS: Prieš naudodami gaminį, perskaitykite toliau esančius įspėjimus.

- Netinkamai arba neatidžiai naudojant šis gaminys yra pavojingas. Jei nesilaikysite saugos nurodymų, kyla sužeidimų arba mirties pavojus.
- Šis gaminys veikdamas sukuria elektromagnetinį lauką. Tam tikromis aplinkybėmis šis laukas gali trikdyti aktyviųjų arba pasyviųjų medicininių implantų veiklą. Kad sumažėtų sunkių ar mirtinų sužeidimų pavojus, medicininių implantų turintiems asmenims rekomenduojame prieš naudojant šį gaminį pasitarti su gydytoju ir implanto gamintoju.
- Visada elkitės atsargiai ir vadovaukitės sveiku protu. Jei tiksliai nežinote, kaip naudoti gaminį konkrečioje situacijoje, sustabdykite darbą ir prieš tęsdami darbą pasitarkite su „Husqvarna“ pardavimo atstovu.
- Atsiminkite, kad už nelaimingus atitikimus, kurių metu nukentęs asmenys ar turtas, bus atsakingas naudotojas.
- Rūpinkitės gaminio švara. Įsitinkite, kad aiškiai perskaitėte ženklus ir lipdukus.
- Neleiskite kitiems naudotis gaminiu, jei neįsitikinote, kad jie perskaitė ir suprato naudojimo instrukcijos turinį.
- Neleiskite gaminio naudoti vaikams.

- gaminys turi kito gamintojo arba gamintojo nepatvirtintą priedą;
- gaminys suremontuotas ne patvirtintame techninės priežiūros centre arba jį suremontavo ne patvirtintas atstovas.

- Pasirūpinkite, kad vaikai būtų toliau nuo darbo zonos. Būtina nuolatinė atsakingo suaugusiojo priežiūra.
- Neleiskite gaminio naudoti su instrukcijomis nesusipažinusiems asmenims.
- Visada prižiūrėkite gaminį naudojantį fizinę arba protinę negalią turintį asmenį. Būtina nuolatinė atsakingo suaugusiojo priežiūra.
- Neekspluatuokite gaminio, jeigu esate pavargę, sergate, vartojote alkoholio, narkotikų ar vaistų. Tai neigiamai veikia jūsų regėjimą, nuovoką ar koordinaciją.
- Neekspluatuokite gaminio, jei jis sugadintas.
- Nekeiskite gaminio ir nenaudokite jo, jei jį galėję pakeisti kiti.
- Nekeiskite variklio greičio valdymo reguliavimo.

Sauga darbo vietoje



PERSPĖJIMAS: Prieš naudodami gaminį, perskaitykite toliau esančius įspėjimus.

- Prieš naudodami gaminį nuo darbo zonos pašalinkite tokius objektus, kaip šakos, šakelės ir akmenys.
- Atsitrenkę į pjovimo įrangą objektai gali atsokti ir sužeisti asmenis bei sugadinti daiktus. Šalia esantiems asmenims ir gyvūnams būtina laikytis saugaus atstumo nuo gaminio.
- Gaminio niekuomet nenaudokite blogu oru, pvz., kai pakyla rūkas, lyja, pučia stiprus vėjas, stipriai šąla ir gali žaibuoti. Darbas gaminiu blogu oru arba drėgnose ar šlapiose vietose yra varginantis. Blogu oru gali susidaryti pavojingos sąlygos, pvz., slidūs paviršiai.
- Saugokitės asmenų, daiktų ir tam tikrų situacijų kuriose gali neleisti saugiai naudoti gaminio.
- Saugokitės kliūčių, pvz., šaknų, akmenų, šakelių, duobių ir griovių. Aukštoje žolėje kliūtys gali būti nematomos.
- Gali būti pavojinga pjauti žolę įkalnėse. Nenaudokite gaminio, jei šlaitas yra statnesnis nei 15°.
- Šlaitus pjaukite skersai. Nevažiuokite į viršų ir žemyn.
- Būkite atsargūs artėdami prie nematomų kampų ir daiktų, kurie užstoja vaizdą.

Darbo sauga



PERSPĒJIMAS: Prieš naudodami gaminį, perskaitykite toliau esančius įspėjimus.

- Gaminį naudokite tik vejų žolei pjauti. Neleidžiama jo naudoti kitoms užduotims atlikti.
- Naudokite asmenines apsaugines priemones. Žr. *Asmeninės apsauginės priemonės psl. 190.*
- Įsitikinkite, kad žinote, kaip greitai sustabdyti variklį nelaimės atveju.
- Niekada neužveskite variklio uždaroje erdvėje ar netoli degių medžiagų. Variklio išmetamosios dujos yra karštos, jose gali būti kibirkščių, kurios gali sukelti gaisrą.
- Nenaudokite gaminio tinkamai neuždengę peilio ir neuždėję kitų dangčių. Netinkamai uždėtas peilis gali atsilaisvinti ir sužeisti.
- Užtikrinkite, kad peilis neatsitrenktų į tokius objektus, kaip akmenys ir šaknys. Tai gali sugadinti peilį ir sulenkti variklio veleną. Sulenkta ašis sukelia didelę vibraciją ir kyla didžiulis pavojus, kad peilis atsilaisvins.
- Jei į peilį atsitrenkia objektas arba susidaro vibracijos, nedelsdami sustabdykite gaminį. Atjunkite uždegimo kabelį nuo uždegimo žvakės. Patikrinkite, ar gaminys neapgadintas. Pataisykite sugadintas dalis arba remonto darbus perleiskite įgaliotajam techninės priežiūros atstovui.
- Niekada neprijunkite variklio stabdžio rankenos prie rankenos visam laikui, kai variklis veikia.
- Padėkite gaminį ant stabilaus, plokščio paviršiaus ir paleiskite jį. Patikrinkite, ar peilis neliečia žemės ar kokių kitų daiktų.
- Visada būkite už gaminio, kai jį naudojate.
- Prižiūrėkite, kad visi ratukai būtų ant žemės ir abi rankas laikykite ant rankenos, kai naudojate gaminį. Saugokite rankas bei kojas ir neikiškite jų prie besisukančių peilių.
- Dirbant varikliui nepakreipkite gaminio.
- Būkite atsargūs, kai gaminį traukiate atgal.
- Dirbant varikliui nepakelkite gaminio. Jei gaminį turite pakelti, pirmiausia sustabdykite variklį ir atjunkite uždegimo kabelį nuo uždegimo žvakės.
- Naudodami gaminį neikite atgal.
- Veždami įrenginį per zonas be žolės, pvz., žvirgždo, akmenų ir asfalto takelius, sustabdykite variklį.
- Dirbant varikliui nebėkite su gaminiumi. Naudodami gaminį visada eikite.
- Prieš pakeisdami pjovimo aukštį pirmiausia išjunkite variklį. Draudžiama reguliuoti, kai veikia variklis.
- Niekada nepaleiskite gaminio iš akių, kai veikia variklis. Išjunkite variklį ir įsitikinkite, kad pjovimo įranga nesisuka.

Naudojimo saugos instrukcijos

Asmeninės apsauginės priemonės



PERSPĒJIMAS: Prieš naudodami gaminį, perskaitykite toliau esančius įspėjimus.

- Asmeninės apsauginės priemonės nepadės visiškai išvengti pavojaus susižeisti, tačiau nelaimingo atsitikimo atveju mažiau nukentėsite. Leiskite prekybos atstovui padėti pasirinkti tinkamą įrangą.
- Jei triukšmo lygis viršija 85 dB, naudokite klausos apsaugą
- Avėkite patvarius, neslystančius batus. Neavėkite atvirų batų ir nebūkite basi.
- Dėvėkite storas, ilgas kelnes.
- Kai būtina, pvz., montuojant, apžiūrint arba valant pjovimo įrangą, užsimaukite apsaugines pirštines.

Gaminio apsauginės priemonės



PERSPĒJIMAS: Prieš naudodami gaminį, perskaitykite toliau esančius įspėjimus.

- Nesinaudokite gaminiumi, jei jo apsauginės priemonės yra netvarkingos.
- Reguliariai tikrinkite apsaugines priemones. Jei apsauginės priemonės yra pažeistos, pasitarkite su Husqvarna techninės priežiūros atstovu.

Atlikite pjovimo gaubto patikrą.

Pjovimo gaubtas sumažina gaminio vibracijas ir sumažina disko keliamą sužeidimų pavojų.

- Apžiūrėkite pjovimo gaubtą, kad įsitikintumėte, jog nėra pažeidimų, pvz., įtrūkių.

Norėdami patikrinti variklio stabdžio rankeną

Variklio stabdžio rankena sustabdo variklį. Atleidus variklio stabdžio rankeną variklis sustoja.

- Paleiskite variklį, o tada atleiskite variklio stabdymo rankeną. Jei variklis nesustoja per 3 sekundes, paprašykite, kad įgaliotasis „Husqvarna“ techninės priežiūros atstovas sureguliuotų variklio rankeną. (Pav. 15)

Duslintuvas

Duslintuvas iki minimumo sumažina triukšmo lygį ir nukreipia nuo naudotojo variklio išmetamąsias dujas.

Nenaudokite gaminio, jei nėra duslintuvo arba jis yra pažeistas. Esant pažeistam duslintuvui padidėja triukšmo lygis ir kyla gaisro pavojus.



PERSPĒJIMAS: Darbo metu ir tada, kai variklis veikia tuščiaja eiga, duslintuvas labai įkaista ir kurį laiką išlieka karštas. Elkitės

atsargiai su degiomis medžiagomis ir (arba) garais, kad išvengtumėte gaisro.

Degalų naudojimo sauga



PERSPĖJIMAS: Prieš naudodami gaminį, perskaitykite toliau esančius įspėjimus.

- Neužveskite gaminio, jei ant gaminio yra kuro arba variklio alyvos. Nuvalykite nepageidaujamą kurą / alyvą ir palaukite, kol gaminys išdžiūs.
- Apsipylę drabužius kuru nedelsiant persirenkite.
- Neapsipilkite kūno kuru, nes jis gali sužaloti. Apsipylę kūną kuru, jį nusiplaukite muilu ir vandeniu.
- Neužveskite gaminio, jei iš variklio sunkiasi skysčiai. Reguliariai tikrinkite, ar iš variklio nesisunkia skysčiai.
- Atsargiai elkitės su kuru. Kuras yra degus, o jo garai – sprogūs, todėl neatsargiai elgiantis galima susižaloti arba žūti.
- Neįkvėpkite kuro garų, nes jie gali sužaloti. Pasirūpinkite tinkamu vėdinimu.
- Nerūkykite greta kuro arba variklio.
- Nedėkite šiltų objektų greta kuro arba variklio.
- Nepilkite kuro, kai variklis užvestas.
- Prieš pildami kurą įsitikinkite, ar variklis ataušęs.
- Prieš pildami kurą lėtai atidarykite kuro bakelio dangtelį ir atsargiai išleiskite slėgį.
- Nepilkite į variklį kuro būdami patalpoje. Dėl oro stygiaus galima susižaloti arba žūti uždusęs arba apsinuodijęs anglies monoksidu.
- Stipriai užsukite kuro bakelio dangtelį. Nepakankamai stipriai užsukus kuro bakelį kyla gaisro pavojus.

- Prieš pradėdami darbą patraukite gaminį mažiausiai 3 m / 10 pėdų nuo vietos, kurioje pylėte kurą.
- Nepripilkite sklidino kuro bakelio. Šildamas kuras plečiasi. Palikite vietos kuro bakelio viršuje.

Priežiūros saugos instrukcijos



PERSPĖJIMAS: Prieš naudodami gaminį, perskaitykite toliau esančius įspėjimus.

- Variklio išmetamosiose dujose yra anglies monoksido – nuodingų, bekvapių ir labai pavojingų dujų. Nepaleiskite variklio patalpose ar uždaroje erdvėje.
- Prieš atlikdami techninę gaminio priežiūrą, sustabdykite variklį ir atjunkite uždegimo kabelį nuo uždegimo žvakės.
- Pjovimo įrangos techninės priežiūros darbus atlikite apsimovę apsaugines pirštines. Peilis labai aštrus ir gali lengvai įpjauti.
- Gamintojo nepatvirtinti priedai ir gaminio pakeitimai gali rimtai ar net mirtinai sužeisti. Nekeiskite gaminio. Visada naudokite tik gamintojo patvirtintus priedus.
- Jei techninė priežiūra atliekama netinkamai ir nereguliariai, padidėja sužeidimų ir žalos gaminiui pavojus.
- Atlikite tik savininko vadove nurodytus techninės priežiūros darbus. Visus kitus techninės priežiūros darbus turi atlikti patvirtintas „Husqvarna“ techninės priežiūros atstovas.
- Patvirtintas „Husqvarna“ techninės priežiūros atstovas turi reguliariai atlikti gaminio techninę priežiūrą.
- Pakeiskite pažeistas, sulūžusias arba susidėvėjusias dalis.

Surinkimas

Rankenos surinkimas

1. Įstumkite varžtą (A) pro rankeną (B), plastikinę poveržlę (C) ir rankenos atraminį laikiklį (D). (Pav. 16)
2. Iki galo priveržkite veržlę (E).
3. Įstumkite varžtą (F) pro poveržlę (G) ir rankenos atraminį laikiklį.
4. Iki galo priveržkite rankenėlę (H).
5. Sulygiuokite rankenos angas su apatinės rankenos angomis ir prisukite varžtus, poveržles ir rankenėles. Iki galo priveržkite rankenėles. (Pav. 17)
6. Kabelius prie rankenų pritvirtinkite laido laikikliais. (Pav. 18)

Pasižymėkite: Įsitikinkite, kad kabeliai nėra per daug įtempti. Per smarkiai įtempus galima pažeisti kabelį, kai rankena nulenkiama į transportavimo padėtį.

7. Laidus užkabinkite ant kablo rankenos apačioje. (Pav. 19)

Rankenos aukščio reguliavimas

1. Atsukite apatines rankenėles. (Pav. 20)
2. Ištraukite rankenėlę, poveržlę ir varžtą kairėje ir dešinėje pusėse.
3. Galima nustatyti 2 skirtingus rankenos aukščius. Įstatykite varžtą į vieną iš 2 angų kairėje ir dešinėje pusėse. (Pav. 21)
4. Prisukite varžtus, poveržles ir rankenėles.
5. Stumkite rankenėles į viršų link rankenos, kol jos sustos ir išgirsite spragtelėjimą. Iki galo priveržkite rankenėles. (Pav. 22)

Gaminio paruošimas transportuoti

1. Išimkite žolės rinktuva.

2. Atsukite rankenėles rankenos viršuje ir nulenkite rankeną atgal. (Pav. 23)
3. Atsukite apatinės rankenėles.
4. Stumkite rankenėles iki apatinio griovelį krašto kairėje ir dešinėje gaminio pusėje. (Pav. 24)
5. Nulenkite rankeną pirmyn. (Pav. 25)

Gaminio paruošimas naudoti

1. Kelkite rankeną, kol apatinė rankena užsifiksuos darbinėje padėtyje. (Pav. 26)
2. Stumkite rankenėles į viršų link rankenos, kol jos sustos ir išgirsite spragtelėjimą.
3. Iki galo priveržkite rankenėles. (Pav. 27)

4. Pakelkite viršutinę valdymo rankenos dalį.
5. Iki galo priveržkite rankenėles. (Pav. 28)

Žolės rinktuvo montavimas

1. Uždėkite viršutinę žolės rinktuvo dalį ant apatinės dalies. (Pav. 29)
2. Pritvirtinkite žolės rinktuvo rėmą fiksatoriais. (Pav. 30)
3. Pakelkite galinį dangtelį.
4. Pritvirtinkite žolės rinktuvo kabliukus prie viršutinio važiuoklės krašto. (Pav. 31)
5. Įdėkite apatinę žolės rinktuvo dalį į žolės išmetimo kanalą.

Naudojimas

Įvadas



PERSPĖJIMAS: Prieš naudodami gaminį perskaitykite ir supraskite saugos skyriaus informaciją.

Husqvarna Connect

Husqvarna Connect yra nemokama programėlė, skirta mobiliesiems įrenginiams. Programėlė Husqvarna Connect suteikia Husqvarna gaminiui papildomas funkcijas:

- Papildoma informacija apie gaminį.
- Informacija ir patarimai apie gaminio dalis ir priežiūrą.

Norėdami pradėti naudoti Husqvarna Connect

1. Atsisiųskite „Husqvarna Connect“ programėlę į mobilųjį įrenginį.
2. Užsiregistruokite „Husqvarna Connect“ programėlėje.
3. Norėdami prisijungti ir užregistruoti gaminį, vykdykite „Husqvarna Connect“ programėlėje pateiktas instrukcijas.

Prieš naudodami gaminį

1. Atidžiai perskaitykite naudojimo instrukciją ir įsitikinkite, kad viską gerai supratote.
2. Apžiūrėkite pjovimo įrangą ir įsitikinkite, kad ji tinkamai prijungta ir sureguliuota. Žr. *Pjovimo įrangos patikrinimas psl. 194*.
3. Užpildykite kuro bakelį. Žr. *Degalų pripylimas psl. 192*.
4. Pripilkite alyvos bakelį ir patikrinkite alyvos lygį. Žr. *Alyvos lygio tikrinimas psl. 195*.

Degalų pripylimas

Jei įmanoma, naudokite mažo taršos laipsnio / alkilato benziną. Jei mažo taršos laipsnio / alkilato benzino

naudoti negalite, naudokite geros kokybės bešvinį benziną arba benziną su švinu, kurio oktaninis skaičius yra ne mažesnis nei 91.



PASTABA: Nenaudokite benzino, kurio oktaninis skaičius yra mažesnis nei 91. Antraip galima sugadinti gaminį.



PASTABA: Degalų filtrą keiskite kartą per metus arba dažniau, jei reikia. Naują degalų filtrą galite įsigyti iš Husqvarna pardavimo atstovo.



PASTABA: Prieš pildami degalus visada išjunkite variklį.



PASTABA: Nenaudokite slėginių užvedimo skysčių.

1. Lėtai atsukite degalų bakelio dangtelį, kad sumažintumėte slėgį.
2. Lėtai pripilkite degalų iš kanistro. Jei išliejate degalus, nuvalykite juos audiniu ir palaukite, kol likę degalai išdžius. (Pav. 32)
3. Nuvalykite sritį aplink degalų bakelio dangtelį.
4. Gerai uždarykite degalų bakelio dangtelį. Nepakankamai stipriai užsukus degalų bakelį kyla gaisro pavojus.
5. Prieš pradėdami darbą patraukite gaminį mažiausiai 3 m (10 pėdų) nuo vietos, kurioje pylėte degalus.

Pjovimo aukščio nustatymas

1. Kad padidintumėte pjovimo aukštį, pjovimo aukščio svirtį palenkite atgal.
2. Kad sumažintumėte pjovimo aukštį, pjovimo aukščio svirtį palenkite į priekį. (Pav. 33)



PASTABA: Nenustatykite per žemo pjovimo aukščio. Peiliai gali užkliudyti žemę, jei vejos paviršius nelygus.

Įrenginio paleidimas

1. Įsitikinkite, kada uždegimo kabelis prijungtas prie uždegimo žvakės.
2. Stovėkite už gaminio.
3. Laikykite variklio stabdymo rankeną prispaudę prie rankenos. (Pav. 34)
4. Dešine ranka laikykite starterio lynelį.
5. Lėtai patraukite starterio lynelį, kol pajusite pasipriešinimą.
6. Tada stipriai patraukite, kad paleistumėte variklį.



PERSPĖJIMAS: Nevyniokite starterio virvės sau ant rankos.

Ratų pavaros naudojimas

- Pavaros rankeną pastumkite valdymo rankenos kryptimi. (Pav. 35)

- Atleiskite pavaros rankeną, kad išjungtumėte pavarą, pvz., kai priartėjate prie kliūtys.
- Prieš patraukdami gaminį atgal, išjunkite pavarą ir pastumkite įrenginį į priekį apie 10 cm.

Įrenginio sustabdymas

- Norėdami tik sustabdyti pavarą, atleiskite pavaros rankeną.
- Norėdami išjungti variklį, atleiskite variklio stabdymo rankeną.

Gerų rezultatų gavimas

- Visada naudokite pagalastą peilį. Atšipęs peilis netaisyklingai nupjauna ir žolės paviršius pagelsta. Be to, aštrus peilis naudoja mažiau energijos nei atšipęs.
- Nepjunkite daugiau nei 1/3 žolės ilgio. Pirmiausia nupjaukite nustatę didelį aukštį. Patikrinkite rezultatą ir sumažinkite pjovimo aukštį iki tinkamo lygio. Jeigu žolė tikrai aukšta, judėkite lėtai ir, jei reikia, pjaukite 2 kartus.
- Kiekvieną kartą pjaukite skirtingomis kryptimis, kad vejoje nesusidarytų dryžiai.

Techninė priežiūra

Įvadas



PERSPĖJIMAS: Prieš atlikdami priežiūros darbus perskaitykite ir supraskite saugos skyriaus informaciją.

Visiems gaminio techninės priežiūros ir remonto darbams reikia specialių apmokymų. Garantuojame profesionalaus remonto ir techninės priežiūros darbų pasiekiamumą. Jei jūsų pardavėjas nėra techninės priežiūros atstovas, paprašykite jo informacijos apie artimiausią techninės priežiūros atstovą.

Techninės priežiūros grafikas



PASTABA: Įsitikinkite, kad oro filtras yra tinkamai įdėtas ir nesiglaudžia prie žemės, kai keliate gaminį. Pavojus sugadinti variklį.

Techninės priežiūros intervalai apskaičiuojami pagal kasdienį gaminio naudojimą. Intervalai keičiasi, jei gaminys nenaudojamas kasdien.

Techninės priežiūros informaciją, pažymėtą *, žr. *Gaminio apsauginės priemonės psl. 190.*

| Techninė priežiūra | Kasdien | Kas mėnesį | Kas sezoną |
|--|---------|------------|------------|
| Atlikti bendrąją apžiūrą | X | | |
| Patikrinti alyvos lygį | X | | |
| Pakeisti alyvą (pirmą kartą po 5 naudojimo valandų, tada kas 50 naudojimo valandų) ⁹⁹ | | | X |
| Išvalyti gaminį | X | | |
| Patikrinti pjovimo įrangą | X | | |
| Patikrinti pjovimo gaubtą * | X | | |
| Patikrinti variklio stabdymo rankeną * | X | | |

⁹⁹ Jei gaminys naudojamas dideliu pajėgumu arba esant aukštai aplinkos temperatūrai, keiskite variklio alyvą kas 25 valandas.

| Techninė priežiūra | Kasdien | Kas mėnesį | Kas sezoną |
|---|---------|------------|------------|
| Patikrinti dulšintuvą * | | X | |
| Patikrinti uždegimo žvakę. Esant reikalui išvalykite arba pakeiskite uždegimo žvakę | | | X |
| Apžiūrėti oro filtrą | X | | |
| Išvalyti oro filtrą ¹⁰⁰ | | X | |
| Pakeisti oro filtrą | | | X |
| Patikrinti degalų sistemą | | | X |
| Išvalyti cilindro aušinimo briaunas | | X | |
| Patikrinti ir sureguliuoti sankabos trosą (LC 140SP) | | | X |

Bendroji apžiūra

- Įsitikinkite, kad gaminio veržlės ir varžtai yra tinkamai priveržti.

Gaminio valymas iš išorės

- Lapus, žolę ir purvą nuvalykite šepčiu.
- Apžiūrėkite ar neužsikūšusi oro įsiurbimo anga variklio viršuje.
- Gaminio neplaukite aukšto slėgio plovimo aparatu.
- Jeį gaminį valote vandeniu, nepilkite vandens tiesiai ant variklio.

Pjovimo įrangos gaubto vidinio paviršiaus valymas

- Ištuštinkite degalų bakelį.
- Paverskite gaminį. Įsitikinkite, kad uždegimo žvakė nukreipta į viršų.



PASTABA: Jei gaminį paversite ant oro filtro, galite sugadinti variklį.

- Vandeniu aplikite vidinį pjovimo įrangos gaubto paviršų.

Pjovimo įrangos patikrinimas



PERSPĖJIMAS: Kad įranga netyčia nepasileistų, ištraukite uždegimo kabelį iš uždegimo žvakės.



PERSPĖJIMAS: Pjovimo įrangos techninės priežiūros darbus atlikite apsimoję apsaugines pirštines. Peilis labai aštrus ir gali lengvai įpjauti.

- Patikrinkite, ar pjovimo įranga nepažeista ir neįskulsi. Visada pakeiskite pažeistą pjovimo įrangą.
- Apžiūrėkite peilį, ar jis nepažeistas ir neatšipęs.

Pasižymėkite: Pagalandus peilį jį reikia subalansuoti. Pagalasti, pakeisti ir subalansuoti peilį turi techninės priežiūros centro darbuotojai. Jei susidūrėte su kliūtimi, dėl kurios įrenginys sustojo, pakeiskite pažeistą peilį. Leiskite techninės priežiūros centro darbuotojams nuspręsti, ar peilį dar galima galasti, ar jau reikia keisti.

Peilio keitimas

- Užfiksuokite peilį medžio bloku. (Pav. 36)
- Nusukite peilio tvirtinimo varžtą.
- Nuimkite peilį.
- Patikrinkite peilio atramą ir peilio tvirtinimo varžtą, ar jie nepažeisti.
- Patikrinkite variklio veleną, kad įsitikintumėte, ar jis nesulenktas.
- Įdėję naują peilį nukreipkite jo kampus pjovimo įrangos gaubto kryptimi. (Pav. 37)
- Įsitikinkite, kad peilis sulygiuotas su peilio veleno centru.
- Užfiksuokite peilį medžio bloku. Uždėkite spyruoklės poveržlę ir pritvirtinkite varžtą ir poveržlę 45–60 Nm sukimo momento jėga. (Pav. 38)
- Ranka pasukite peilį ir patikrinkite, ar jis laisvai sukasi.



PERSPĖJIMAS: Apsimaukite pirštines sunkiam darbui. Peilis labai aštrus ir gali lengvai įpjauti.

- Paleiskite gaminį, kad išbandytumėte peilį. Jei peilis netinkamai uždėtas, gaminys vibruoja arba pjaunama nepakankamai gerai.

¹⁰⁰ Valykite dažniau, jei gaminys naudojamas aplinkoje, kurioje yra daug dulkių arba oru sklindančių dalelių. Pakaiskite oro filtrą, jei jis smarkiai užterštas.

Alyvos lygio tikrinimas



PASTABA: Per mažas alyvos kiekis gali sukelti variklio gedimus. Prieš paleisdami gaminį patikrinkite alyvos lygį.

1. Pastatykite gaminį ant lygaus paviršiaus.
2. Nusukite alyvos bakelio dangtelį su pritvirtintu alyvos lygio matuokliu.
3. Nuvalykite alyvą nuo alyvos lygio matuoklio.
4. Visiškai įmerkite alyvos lygio matuoklį į alyvos bakelį, kad išsiaiškintumėte alyvos lygį.
5. Ištraukite alyvos lygio matuoklį.
6. Alyva ant matuoklio rodo esamą alyvos lygį.
7. Jei alyvos lygis žemas, pripilkite variklio alyvos ir vėl patikrinkite alyvos lygį.

Pasižymėkite: Naudokite piltuvėlį, kad išvengtumėte taškymosi.

Variklio alyvos pakeitimas



PERSPĖJIMAS: Iš karto sustabdžius variklį variklio alyva yra labai karšta. Prieš išleisdami variklio alyvą, leiskite varikliui atvėsti. Jei užsipilsite variklio alyvos ant odos, nuplaukite ją muilu ir vandeniu.

(Pav. 39)

Pasižymėkite: Naudokite keturtakčiams varikliams skirtą alyvą. Įsitinkinkite, kad alyvos klampumas yra tinkamas pagal aplinkos temperatūrą.

1. Eksploatuokite gaminį, kol degalų bakelis ištuštės.
2. Nuimkite uždegimo kabelį nuo uždegimo žvakės.
3. Nuimkite alyvos bakelio dangtelį.
4. Išleiskite variklio alyvą iš alyvos bakelio naudodami alyvos siurbį (priedas).
5. Pripilkite naujos variklio alyvos. Rekomenduojamo tipo ieškokite *Techniniai duomenys psl. 197*.
6. Patikrinkite alyvos lygį. Žr. *Alyvos lygio tikrinimas psl. 195*.

Polistirolro filtro valymas

1. Nuimkite oro filtro dangtelį ir išimkite polistirolro filtrą.
2. Polistirolro filtrą nuvalykite muilu ir vandeniu.
3. Nuplaukite polistirolro filtrą švariu vandeniu.
4. Nugręžkite vandenį iš polistirolro filtro ir palikite jį išdžiūti.



PASTABA: Nenaudokite suspausto oro. Jis gali pažeisti polistirolro filtrą.

5. Sutepkite polistirolro filtrą variklio alyva.

6. Nuspauskite polistirolro filtrą švaria šluoste, kad pašalintumėte nepageidaujamas riebalus.
7. Vėl įdėkite filtrą. Įsitinkinkite, kad oro filtras visiškai sandarus oro filtro laikiklyje.
8. Vėl uždėkite oro filtro dangtelį.

Uždegimo žvakės tikrinimas



PASTABA: Visada naudokite rekomenduojamo tipo žvakes. Netinkamo tipo uždegimo žvakė gali pažeisti gaminį.

- Patikrinkite uždegimo žvakę, jei variklio galingumas mažas, ji sunku paleisti arba jis netinkamai veikia tuščiąja eiga.
- Norėdami sumažinti pašalinių medžiagų atsiradimą ant uždegimo žvakės elektrodų, laikykitės šių instrukcijų:
 - a) Įsitinkinkite, kad tinkamai sureguliuotas greitis tuščiąja eiga.
 - b) Įsitinkinkite, kad naudojate tinkamą kuro mišinį.
 - c) Patikrinkite, ar oro filtras yra švarus.
- Jeigu uždegimo žvakė purvina, nuvalykite ją ir patikrinkite, ar nustatytas tinkamas tarpas tarp elektrodų, žr. *Techniniai duomenys psl. 197*. (Pav. 40)
- Esant reikalui pakeiskite uždegimo žvakę.

Kuro sistemos tikrinimas

- Patikrinkite kuro bakelio dangtelį ir užsandarinkite jį, kad nepažeistumėte.
- Patikrinkite kuro žarnelę ir įsitinkinkite, kad ji neprateka. Jei kuro žarnelė pažeista, paprašykite, kad techninės priežiūros atstovas ją pakeistų.

Sankabos laido reguliavimas (LC 140SP)

Toliau nurodytose situacijose būtina sutrumpinti sankabos laidą:

- Ratų pavara neįsijungia, kai patraukiate pavaros rankeną arba greičio valdymo svirtį.
- Produktas juda lėtai, kai įjungta ratų pavara.

Toliau nurodytose situacijose būtina pailginti sankabos laidą:

- Produktas juda , kai ratų pavara neįjungta.
- Sureguliuokite sankabos laidą.
 - a) Norėdami sutrumpinti sankabos laidą, pasukite reguliavimo varžtą prieš laikrodžio rodyklę.
 - b) Norėdami pailginti sankabos laidą, pasukite reguliavimo varžtą pagal laikrodžio rodyklę. (Pav. 41)

Jei po reguliavimo produktas ir toliau važiuoja netinkamai, susisieki su aptarnavimo paslaugų teikėju

Variklio trikčių šalinimas

| Problema | Galima priežastis | Sprendimas |
|--|--|---|
| Nepavyksta užvesti variklio. | Uždegimo kabelis prijungtas netinkamai. | Prijunkite uždegimo kabelį prie uždegimo žvakės. |
| | Degalų bakelis yra tuščias. | Į degalų bakelį pripilkite tinkamų degalų. |
| | Degalai yra pasenę. | Ištuštinkite degalų bakelį ir karbiuratorių. Įpilkite naujo benzino. |
| | Užterštas karbiuratorius arba degalų linija. | Išvalykite karbiuratorių ir (arba) degalų liniją. |
| | Uždegimo žvakės triktis. | Sureguliuokite tarpą tarp elektrodų, išvalykite arba pakeiskite uždegimo žvakę. |
| | Ant uždegimo žvakės yra degalų. | Išvalykite žvakę. |
| Nepavyksta sustabdyti variklio | Stabdymo mechanizmas sugadintas. | Atjunkite uždegimo kabelį nuo uždegimo žvakės. Gaminio remontą leiskite atlikti įgaliotam techninės priežiūros atstovui. |
| Variklis veikia netolygiai. | Uždegimo kabelis prijungtas netinkamai. | Prijunkite uždegimo kabelį prie uždegimo žvakės. |
| | Užteršta degalų linija arba baigėsi degalų galiojimas. | Išvalykite degalų liniją. Užpildykite degalų bakelį tinkamais degalais. |
| | Degalų bakelio dangtelis užsikimšo. | Išvalykite degalų bakelio dangtelį. |
| | Į degalų sistemą pateko vandens arba purvo. | Išleiskite degalus iš degalų bakelio. Užpildykite degalų bakelį tinkamais degalais. |
| | Oro filtras yra purvinas. | Išvalykite oro filtrą. |
| | Būtina sureguliuoti karbiuratorių. | Karbiuratorių sureguliuoti leiskite techninės priežiūros atstovams. |
| Variklis pernelyg įkaista. | Per mažas variklio alyvos lygis. | Įpilkite variklio alyvos. |
| | Oro srautas nepakankamas. | Išvalykite oro filtrą ir oro filtro korpusą. |
| | Būtina sureguliuoti karbiuratorių. | Karbiuratorių sureguliuoti leiskite techninės priežiūros atstovams. |
| Gaminiui veikiant dideliu greičiu įvyksta uždegimo pertrūkių. | Tarpas tarp elektrodų uždegimo žvakėje yra per mažas. | Sureguliuokite tarpą tarp elektrodų. |
| Neįprastas variklio garsas naudojant gaminį normaliu pajėgumu. | Netinkamo tipo benzinai. | Ištuštinkite degalų bakelį ir karbiuratorių. Įpilkite naujo benzino. Žr. <i>Degalų pripylimas psl. 192</i> . Jei problema išlieka, kreipkitės į vietinį techninės priežiūros atstovą. |

| Problema | Galima priežastis | Sprendimas |
|---|---|---|
| Variklis veikia netolygiai tuščiaja eiga. | Uždegimo žvakė yra purvina, sugadinta arba tarpas tarp elektrodų yra per didelis. | Sureguliuokite tarpą tarp elektrodų arba pakeiskite uždegimo žvakę. |
| | Būtina sureguliuoti karbiuratorių. | Sureguliuokite karbiuratorių. |
| | Oro filtras yra purvinas. | Išvalykite oro filtrą. |

Transportavimas, saugojimas ir utilizavimas

Transportavimas ir laikymas

- Norėdami laikyti ir transportuoti gaminį ir kurą, įsitikinkite, kad jis neprateka ir neskleidžia išmetamųjų dujų. Žiežirbos arba atvira ugnis, pvz., elektriniai įrenginiai arba džiovintuvai, gali sukelti gaisrą.
- Laikydami ir transportuodami kurą visada naudokite patvirtintus kontenerius.
- Ištuštinkite kuro bakelį prieš padėdami gaminį laikyti ilgam laikui. Kurą išpilkite tinkamoje šalinimo vietoje.
- Saugiai pritvirtinkite gaminį jį transportuodami, kad nepažeistumėte ir išvengtumėte nelaimingų atsitikimų.

- Laikykite gaminį užrakintoje patalpoje, kad jo nepasiektų vaikai arba negalioji asmenys.
- Laikykite gaminį sausoje neužšalancioje vietoje.

Šalinimas

- Laikykitės vietinių atliekų tvarkymo reikalavimų ir galiojančių teisės aktų.
- Išpilkite visas chemines medžiagas, pvz., variklio alyvą arba kurą techninės priežiūros centre arba tinkamoje šalinimo vietoje.
- Kai gaminys nebenaudojamas, nusiųskite jį „Husqvarna“ pardavėjui arba atiduokite jį perdirbimo vietai.

Techniniai duomenys

Techniniai duomenys

| | LC 140P | LC 140SP |
|---|---|---|
| Variklis | | |
| Gamintojas | Husqvarna | Husqvarna |
| Variklio modelio pavadinimas | HS 123A | HS 123A |
| Variklio tipas | Vieno cilindro, keturtaktis, oru aušinamas, OHV | Vieno cilindro, keturtaktis, oru aušinamas, OHV |
| Darbinis tūris, cm ³ | 123 | 123 |
| Greitis, sūk./min. | 3000 | 3000 |
| Vardinė variklio galia, kW ¹⁰¹ | 1,95 | 1,95 |
| Uždegimo sistema | | |
| Uždegimo žvakė | „Husqvarna HQT-7“ | „Husqvarna HQT-7“ |
| Tarpas tarp elektrodų, mm | 0,7–0,8 | 0,7–0,8 |

¹⁰¹ Nurodyta variklio galia atitinka to modelio tipinės gamybos būdu pagaminto variklio vidutinę naudingąją atiduodamą galią (varikliui veikiant nurodytu greičiu), išmatuotą pagal SAE standartą J1349 / ISO1585. Masinės gamybos būdu pagamintų variklių galia gali skirtis. Faktinė gaminyje įmontuoto variklio galia priklausys nuo darbinio greičio, aplinkos sąlygų ir kitų aplinkybių.

| | LC 140P | LC 140SP |
|---|--------------------------------|--------------------------------|
| Degalų ir tepimo sistema | | |
| Variklio tepimo tipas | Purškiamasis | Purškiamasis |
| Degalų bakelio talpa, litrais | 0,9 | 0,9 |
| Alyvos bakelio talpa, litrais | 0,5 | 0,5 |
| Variklio alyva ¹⁰² | Husqvarna SAE 30 | Husqvarna SAE 30 |
| Svoris | | |
| Su tuščiais bakeliais, kg | 25,2 | 26,8 |
| Skleidžiamas triukšmas¹⁰³ | | |
| Garso galios lygis, išmatuotas, dB (A) | 93 | 93 |
| Garso galios lygis, garantuojamas, L _{WA} dB (A) | 95 | 95 |
| Garso lygiai¹⁰⁴ | | |
| Naudotojo ausį veikiantis garso slėgis, dB (A) | 81 | 81 |
| Vibracijos lygis¹⁰⁵ | | |
| Valdymo rankenos vibracija, m/s ² | 5,6 | 7,6 |
| Pjovimo įranga | | |
| Pjovimo aukštis, mm | 25–75 | 25–75 |
| Pjovimo plotis, mm | 400 | 400 |
| Pjovimo sistema | Surinkimas / galinis išmetimas | Surinkimas / galinis išmetimas |
| Peiliai – standartas | Surinkimo 5873863-10 | Surinkimo 5873863-10 |
| Žolės rinktuvo galia, litrais | 50 | 50 |
| Pavara | | |
| Savaeigis greitis, km/h | – | 4 |

¹⁰² Jei SAE-30 alyva naudojama žemesnėje nei +5 °C temperatūroje, variklis gali būti suteptas nepakankamai. Dėl to gali atsirasti variklio gedimų. Daugiau informacijos apie tai, kokią alyvą naudoti esant žemai temperatūrai, žr. *Variklio alyvos pakeitimas psl. 195*.

¹⁰³ Triukšmas, skleidžiamas į aplinką, išmatuotas kaip garso galia (L_{WA}) pagal EB direktyvą 2000/14/EB.

¹⁰⁴ Pateikiamų triukšmo slėgio duomenų būdingoji statistinė sklaida (standartinis nuokrypis) lygi 1,2 dB (A).

¹⁰⁵ Pateiktuose vibracijos lygio duomenyse yra 0,2 m/s² tipiška statistinė sklaida (standartinis nuokrypis).

EB atitikties deklaracija

EB atitikties deklaracija

„Husqvarna AB“, SE-561 82 Huskvarna, Švedija, tel.
+46-36-146500, patvirtina, kad **vejapjovės Husqvarna
LC 140P, LC 140SP**, pagamintos nuo 2020, atitinka šių
TARYBOS DIREKTYVŲ reikalavimus:

- 2011 m. birželio 8 d. direktyvos **2011/65/ES** dėl tam tikrų pavojingų medžiagų naudojimo;
- 2006 m. gegužės 17 d. direktyvos **2006/42/EB** dėl mašinų;
- 2014 m. vasario 26 d. direktyvos **2014/30/ES** dėl elektromagnetinio suderinamumo;
- 2000 m. gegužės 8 d. direktyvos **2000/14/EB** dėl į aplinką skleidžiamo triukšmo.

Daugiau informacijos apie triukšmo emisiją žr.
„Techniniai duomenys“.

Taikyti šie standartai:

**EN ISO 5395-1:2013, EN ISO 5395-1:2013/A1, EN ISO
5395-2:2013, EN ISO 5395-2:2013/A1:2016, EN ISO
5395-2:2013/A2:2017, EN ISO 14982:2009**

Jei nenurodyta kitaip, taikomos naujausios paskelbtos
nurodytų standartų versijos.

Notifikuotoji įstaiga: **0036, TÜV SÜD Industrie Service
GmbH, Westendstrasse 199, 80686 München, Germany**
Atliko atitikties vertinimą pagal Direktyvos 2000/14/EB VI
priedą.

Huskvarna, 2020-10-20



Claes Losdal, plėtos vadovas / sodo produktai
(įgaliotasis „Husqvarna AB“ atstovas, atsakingas už
techninę dokumentaciją.)

Saturs

| | | | |
|----------------|-----|--|-----|
| levads..... | 200 | Dzinēja problēmu novēršana..... | 208 |
| Drošība..... | 201 | Pārvadāšana, glabāšana un utilizācija..... | 209 |
| Montāža..... | 203 | Tehniskie dati..... | 209 |
| Lietošana..... | 204 | EK atbilstības deklarācija..... | 212 |
| Apkope..... | 205 | | |

levads

Izstrādājuma apraksts

Izstrādājums ir gājējam vadāmais rotējošais zāles pļāvējs. Zāle tiek savākta zāles savācējā. Lai piekļūtu zāles aizmugurējam izmetējam, noņemiet zāles savācēju.

Izstrādājuma pārskats

(Att. 1)

1. Rokturis/stūre
2. Piedziņas rokturis (LC 140SP)
3. Startera auklas rokturis
4. Zāles savācējs
5. Degvielas tvertne
6. Gaisa filtrs
7. Aizdedzes svece
8. Griezēja pārsegs
9. Trokšņa slāpētājs
10. Eļļas tvertnes vāciņš
11. Griešanas augstuma svira
12. Aizmugurējais aizsegs
13. Dzinēja bremžu rokturis
14. Simboli
15. Apakšējā roktura korpusa
16. Apakšējais rokturis
17. Lietotāja rokasgrāmata
18. Eļļas piltuve

Simboli uz produkta

- (Att. 2) **BRĪDINĀJUMS!** Esiet uzmanīgs un lietojiet izstrādājumu pareizi. Šis izstrādājums var izraisīt smagas vai nāvējošas traumas operatoram vai citām personām.
- (Att. 3) Lūdzu, rūpīgi izlasiet šo lietošanas rokasgrāmatu un pirms izstrādājuma lietošanas pārliecinieties, vai izprotat instrukcijas.
- (Att. 4) Uzmanieties no izmestiem un rikošetā atlecošiem priekšmetiem.

Paredzētā lietošana

Izmantojiet izstrādājumu, lai apgrieztu zāli. Nelietojiet izstrādājumu citiem uzdevumiem.

- (Att. 5) Nodrošiniet, lai darba zonā neatrastos cilvēki un dzīvnieki.
- (Att. 6) Brīdinājums. Turiet rokas un kājas drošā attālumā no rotējošiem asmeņiem.
- (Att. 7) Brīdinājums! Turiet rokas un kājas drošā attālumā no rotējošajām daļām.
- (Att. 8) Pirms veicat remontdarbus vai tehnisko apkopi, apturiet dzinēju un izņemiet aizdedzes vadu.
- (Att. 9) Šis izstrādājums atbilst spēkā esošajām EK direktīvām.
- (Att. 10) Trokšņa emisijas līmenis atbilst Eiropas Kopienas direktīvai. Izstrādājuma emisiju līmenis ir norādīts sadaļā "Tehniskie dati" un uz uzlīmes.
- (Att. 11) Ugunsgrēka risks.
- (Att. 12) Neieelpojiet izplūdes gāzes. Dzinēja gāzu izplūdes satur oglekļa monoksīdu, kas ir bezkrāsaina, indīga un ļoti bīstama gāze. Nedarbiniet dzinēju iekštelpās vai slēgtās telpās.
- (Att. 13) Karsta virsma.
- (Att. 14) Pirms iedarbināt izstrādājumu, iepildiet dzinējā eļļu.

Piezīme: Pārējie uz izstrādājuma norādītie simboli/uzlīmes attiecas uz dažu tirdzniecības nozaru prasībām.

Euro V emisija



BRĪDINĀJUMS: Motora atvēršana anulē šī ķēdes zāga ES tipa apstiprinājumu.

Atbildība par izstrādājuma kvalitāti

Saskaņā ar likumiem par izstrādājuma kvalitāti mēs neuzņemamies atbildību par bojājumiem, ko radījis mūsu izstrādājums, ja:

- ir veikts nepareizs izstrādājuma remonts;
- izstrādājuma remonts ir veikts, izmantojot detaļas, ko nav nodrošinājis vai apstiprinājis ražotājs;
- izstrādājumam tiek pievienots piederums, ko nav nodrošinājis vai apstiprinājis ražotājs;
- izstrādājuma remonts nav veikts pilnvarotā remontdarbnīcā vai pie pilnvarota speciālista.

Drošība

Drošības definīcijas

Brīdinājumi, norādes "Uzmanību!" un piezīmes tiek izmantotas, lai izceltu īpaši svarīgas lietotāja rokasgrāmatas daļas.



BRĪDINĀJUMS: Tiek izmantota tad, ja rokasgrāmatā sniegto instrukciju neievērošanas dēļ operatoram vai blakus esošajām personām draud trauma vai nāves risks.



IEVĒROJIET: Tiek izmantota tad, ja rokasgrāmatā sniegto instrukciju neievērošanas dēļ rodas izstrādājuma, citu materiālu vai blakus esošās teritorijas bojājuma risks.

Piezīme: Tiek izmantota, lai sniegtu plašāku informāciju, kas nepieciešama attiecīgajā situācijā.

Vispārīgi norādījumi par drošību



BRĪDINĀJUMS: Pirms sākat lietot izstrādājumu, izlasiet tālāk izklāstītās brīdinājuma instrukcijas.

- Šis izstrādājums ir bīstams, ja to lieto nepareizi vai ja nerīkojaties piesardzīgi. Drošības instrukciju neievērošana var izraisīt traumas vai nāvi.
- Šis izstrādājums darbības laikā rada elektromagnētisko lauku. Noteiktos apstākļos šis lauks var traucēt aktīvā vai pasīvā medicīniskā implantāta darbību. Lai samazinātu nopietnas traumas gūšanas vai dzīvības zaudēšanas risku, mēs iesakām personām, kam ir medicīniskie implantāti, pirms šī izstrādājuma lietošanas konsultēties ar savu ārstu un medicīniskā implantāta ražotāju.
- Vienmēr rīkojieties piesardzīgi un saprātīgi. Ja neesat drošs par to, kā izmantot šo izstrādājumu konkrētā situācijā, pārtrauciet darbu un sazinieties ar savu Husqvarna izplatītāju, pirms turpināt.

- Paturiet prātā, ka operators ir atbildīgs par negadījumiem, kuros iesaistītas citas personas.
- Gādājiet, lai izstrādājums ir tīrs. Pārlicinieties, ka varat skaidri izlasīt zīmes un uzlīmes.
- Neļaujiet nevienai personai izmantot izstrādājumu, ja neesat pārlicinājies, ka šī persona ir izlasījusi un izprot lietotāja rokasgrāmatas saturu.
- Neļaujiet bērniem lietot šo izstrādājumu.
- Bērni nedrīkst atrasties darba zonā. Tuvumā vienmēr jābūt pieaugušajam.
- Neļaujiet lietot izstrādājumu personai, kas nav iepazinusies ar lietošanas norādījumiem.
- Ja izstrādājumu izmanto persona ar samazinātām fiziskajām vai garīgajām spējām, vienmēr uzraugiet šo personu. Tuvumā vienmēr jābūt pieaugušajam.
- Neizmantojiet šo izstrādājumu, ja esat noguris, slims vai esat alkohola, narkotiku vai medikamentu izraisītā reibumā. Šāds stāvoklis negatīvi ietekmē jūsu redzi, modrību, koordināciju un spriestspēju.
- Neizmantojiet izstrādājumu, ja tas ir bojāts.
- Neveiciet izmaiņas šajā izstrādājumā un neizmantojiet to, ja ir iespējams, ka citas personas tajā ir veikušas izmaiņas.
- Nemainiet noregulēto dzinēja apgriezīenu skaitu

Darba zonas drošība



BRĪDINĀJUMS: Pirms sākat lietot izstrādājumu, izlasiet tālāk izklāstītās brīdinājuma instrukcijas.

- Pirms izmantojat izstrādājumu, noņemiet no darba zonas priekšmetus, piemēram, zarus, žaģarus un akmeņus.
- Priekšmeti, kas saskaras ar griešanas ierīci, var atlēkt un nodarīt kaitējumu personām vai citiem priekšmetiem. Gādājiet, lai citi cilvēki un dzīvnieki atrastos drošā attālumā no izstrādājuma.
- Nekad neizmantojiet izstrādājumu sliktos laikapstākļos, piemēram, miglā, lietū, stiprā vējā, lielā aukstumā un pastāvot zibeņošanas riskam. Izstrādājuma izmantošana sliktos laikapstākļos var mitrā vai slapjā vietā ir nogurdinoša. Slikti laikapstākļi var izraisīt bīstamus apstākļus, piemēram, slidenas virsmas.

- Pārliecinieties, vai nav personu, priekšmetu un situāciju, kas varētu kavēt izstrādājuma drošu darbību.
- Uzmaniģi skatieties, vai nav šķēršļu, piemēram, sakņu, akmeņu, zaru, bedru un grāvju. Garā zālē var atrasties dažādi šķēršļi.
- Pļaušana un nogāzēm var būt bīstama. Neizmantojiet izstrādājumu uz virsmas, kuras slīpums pārsniedz 15°.
- Uz nogāzēm izstrādājumu izmantojiet garenvirzienā. Neplaujiet uz augšu un uz leju.
- Esiet uzmanīgi, kad tuvojaties stūriem, aiz kuriem nekas nav redzams, un priekšmetiem, kas aizsedz skaidru skatu.

Darba drošība



BRĪDINĀJUMS: Pirms sākat lietot izstrādājumu, izlasiet tālāk izklāstītās brīdinājuma instrukcijas.

- Izmantojiet šo izstrādājumu tikai zālienu pļaušanai. Izstrādājumu nav atļauts izmantot citu darbu veikšanai.
- Lietojiet individuālos aizsardzības līdzekļus. Skatiet šeit: *Individuālie aizsarglīdzekļi lpp. 202.*
- Pārliecinieties, vai zināt, kā ārkārtas situācijā ātri apturēt dzinēju.
- Nekad neiedarbiniet dzinēju slēgtās telpās vai uzliesmojošu materiālu tuvumā. Dzinēja izplūdes gāzes ir karstas, un tajās var būt dzirksteles, kas var izraisīt ugunsgrēku.
- Nedarbiniet izstrādājumu, ja asmens un visi pārsegi nav piestiprināti pareizi. Nepareizi piestiprināts asmens var kļūt vaļīgs un izraisīt traumas personai.
- Pārliecinieties, ka asmens neatsitas pret priekšmetiem, piemēram, akmeņiem un saknēm. Tas var sabojāt asmeni un saliekt dzinēja vārpstu. Saliekts asmens izraisa stipru vibrāciju un rada ļoti lielu risku, ka asmens kļūst vaļīgs.
- Ja asmens saskaras ar priekšmetu vai rodas spēcīgas vibrācijas, nekavējoties izslēdziet izstrādājumu. Atvienojiet aizdedzes vadu no aizdedzes sveces. Pārbaudiet, vai izstrādājumā nav bojājumu. Novērsiet bojājumus vai ļaujiet pilnvarotā servisa pārstāvim veikt remontu.
- Nekad nepiestipriniet dzinēja bremžu rokturi pastāvīgi rokturim, kad dzinējs ir iedarbināts.
- Novietojiet izstrādājumu uz stabilas, līdzenas virsmas un iedarbiniet to. Pārliecinieties, vai asmens nepieskaras zemei vai citiem priekšmetiem.
- Darbinot izstrādājumu, vienmēr stāviet aiz tā.
- Darbinot izstrādājumu, raugiet, lai visi četri riteņi atrodas uz zemes un turiet rokturi ar abām rokām. Turiet rokas un kājas drošā attālumā no rotējošajiem asmeņiem.
- Nekad nenolieciet izstrādājumu dzinēja darbības laikā.
- Esiet piesardzīgs, velkot izstrādājumu uz aizmuguri.

- Nekad neceliet izstrādājumu uz augšu dzinēja darbības laikā. Ja jums jāpāceļ izstrādājums, vispirms izslēdziet dzinēju un atvienojiet aizdedzes vadu no aizdedzes sveces.
- Neejiet atmuguriski izstrādājuma lietošanas laikā.
- Izslēdziet dzinēju, kad pārvietojaties pa teritorijām, ko nekļāj zāle, piemēram, pa grants, akmens vai asfalta celiņiem.
- Nekad neskrīniet ar izstrādājumu dzinēja darbības laikā. Darbinot izstrādājumu, vienmēr ejiet.
- Apturiet dzinēju, pirms maināt griešanas augstumu. Nekad nemēģiniet veikt regulēšanas darbus dzinēja darbības laikā.
- Nekad neatstājiet izstrādājumu bez uzraudzības dzinēja darbības laikā. Izslēdziet dzinēju un pārliecinieties, vai griešanas ierīce nerotē.

Norādījumi par drošu darbu

Individuālie aizsarglīdzekļi



BRĪDINĀJUMS: Pirms sākat lietot izstrādājumu, izlasiet tālāk izklāstītās brīdinājuma instrukcijas.

- Šādi līdzekļi nevar pilnībā novērst traumu gūšanas risku, taču samazina traumu smaguma pakāpi, ja negadījums tomēr notiek. Ļaujiet izplatītājam palīdzēt jums izvēlēties pareizo aprīkojumu.
- Ja trokšņa līmenis ir augstāks par 85 dB, izmantojiet dzirdes aizsarglīdzekļus.
- Velciet izturīgus zābakus vai kurpes, kas neslīd. Nevelciet valējas kurpes un neejiet ar basām kājām.
- Velciet izturīgas garās bikses.
- Vajadzības gadījumā izmantojiet aizsargcimdus, piemēram, piestiprinot, pārbaudot vai tīrot griešanas aprīkojumu.

Izstrādājuma drošības ierīces



BRĪDINĀJUMS: Pirms sākat lietot izstrādājumu, izlasiet tālāk izklāstītās brīdinājuma instrukcijas.

- Nelietojiet izstrādājumu ar bojātām drošības ierīcēm.
- Regulāri pārbaudiet drošības ierīces. Ja drošības ierīces ir bojātas, sazinieties ar savu Husqvarna servisa pārstāvi.

Griezēja pārsega pārbauda

Griezēja pārsegs samazina izstrādājuma vibrācijas un asmens radītu ievainojumu gūšanas risku.

- Pārbaudiet griezēja pārsegu, lai pārliecinātos, vai nav bojājumu, piemēram, plaisu.

Dzinēja bremžu roktura pārbauda

Dzinēja bremžu rokturis aptur dzinēju. Atlaižot dzinēja bremžu rokturi, dzinējs apstājas.

- Iedarbiniet dzinēju un pēc tam atļaidiet dzinēja bremžu rokturi. Ja dzinējs neapstājas trīs sekundēs, lieciet pilnvarotā Husqvarna servisa pārstāvim noregulēt dzinēja bremzes. (Att. 15)

Slāpētājs

Slāpētājs maksimāli mazina troksni un novirza motora izplūdes gāzes prom no operatora.

Nelietojiet izstrādājumu, ja slāpētājs nav piestiprināts vai ir bojāts. Bojāts slāpētājs palielina trokšņa līmeni un aizdegšanās risku.



BRĪDINĀJUMS: Lietošanas laikā, tūlīt pēc tās un tad, kad dzinējs darbojas tukšgaitā, slāpētājs ļoti uzkarst. Lai novērstu aizdegšanos, esiet piesardzīgs uzliesmojošu materiālu un/vai gāzu tuvumā.

Drošības norādījumi, rīkojoties ar degvielu



BRĪDINĀJUMS: Pirms sākat lietot izstrādājumu, izlasiet tālāk izklāstītās brīdinājuma instrukcijas.

- Nelietojiet izstrādājumu, ja uz tā ir degviela vai dzinēja eļļa. Nofīriet nevēlamo degvielu/eļļu un ļaujiet izstrādājumam nožūt.
- Ja degviela ir nokļuvusi uz apģērba, nekavējoties pārgērbieties.
- Neļaujiet degvielai nonākt uz ķermeņa, jo tā var izraisīt savainojumus. Ja degviela ir nonākusi uz ķermeņa, izmantojiet ziepes un ūdeni, lai to nomazgātu.
- Nelietojiet izstrādājumu, ja dzinējā ir sūce. Regulāri pārbaudiet, vai dzinējam nav radusies sūce.
- Rīkojoties ar degvielu, esiet uzmanīgs. Degviela ir viegli uzliesmojoša, tās tvaiki ir sprādzienbīstami, un var izraisīt savainojumus vai nāvi.
- Neieelpojiet degvielas tvaikus, jo tie var izraisīt savainojumus. Pārliecinieties, vai gaisa plūsma ir pietiekama.
- Nesmēķējiet degvielas vai dzinēja tuvumā.
- Nenovietojiet siltus objektus degvielas vai dzinēja tuvumā.
- Nepievienojiet degvielu dzinēja darbības laikā.
- Pirms degvielas uzpildes pārliecinieties, vai dzinējs ir atdzisis.

- Pirms uzpildes lēni atveriet degvielas tvertnes vāciņu un uzmanīgi izlaidiet spiedienu.
- Neveiciet dzinēja degvielas uzpildi telpās. Nepietiekama gaisa plūsma var izraisīt savainojumus vai nāvi, nosmokot vai saindējoties ar oglekļa monoksīdu (tvana gāzi).
- Pilnībā piegrieziet degvielas tvertnes vāciņu. Ja degvielas tvertnes vāciņš nav piegriezts, pastāv aizdegšanās risks.
- Pirms iedarbināšanas pārvietojiet izstrādājumu vismaz 3 m (10 pēdas) no vietas, kur piepildījāt tvertni.
- Nepiepildiet degvielas tvertni pilnībā. Siltuma ietekmē degviela izplēšas. Atstājiet degvielas tvertnes augšdaļu tukšu.

Norādījumi par drošu apkopi



BRĪDINĀJUMS: Pirms sākat lietot izstrādājumu, izlasiet tālāk izklāstītās brīdinājuma instrukcijas.

- Dzinēja gāzu izplūdes satur oglekļa monoksīdu, kas ir bezkrāsaina, indīga un ļoti bīstama gāze. Nedarbiniet dzinēju iekštelpās vai slēgtās telpās.
- Pirms veicat izstrādājuma apkopi, vispirms izslēdziet dzinēju un atvienojiet aizdedzes vadu no aizdedzes sveces.
- Veicot griešanas aprīkojuma apkopi, velciet aizsargcimdus. Asmens ir ļoti ass, un ar to var viegli sagriezties.
- Piederumi un pārveidojumi izstrādājumā, kurus ražotājs nav apstiprinājis, var izraisīt nopietnas traumas vai nāvi. Nepārveidojiet izstrādājumu. Izmantojiet tikai tādus piederumus, ko ir apstiprinājis ražotājs.
- Ja apkope netiek veikta pareizi un regulāri, traumu gūšanas risks un bojājumu izstrādājumam risks palielinās.
- Veiciet tikai to apkopi, kas norādīta īpašnieka rokasgrāmatā. Visi pārējie apkopes darbi jāveic pilnvarotā Husqvarna servisa pārstāvim.
- Ļaujiet pilnvarotā Husqvarna servisa pārstāvim regulāri veikt izstrādājuma apkopi.
- Nomainiet bojātās, nodilušās un salūzušās detaļas.

Montāža

Roktura montāža

1. Bīdīet skrūvi (A) caur rokturi (B), plastmasas paplāksni (C) un roktura atbalsta kronšteinu (D). (Att. 16)
2. Pilnībā pievelciet uzgriezni (E).
3. Bīdīet skrūvi (F) caur paplāksni (G) un roktura atbalsta kronšteinu.
4. Pilnībā pievelciet fiksatoru (H).
5. Salāgojiet roktura caurumus ar apakšējā roktura caurumiem un piestipriniet skrūves, paplāksnes un fiksatorus. Pilnībā pievelciet fiksatorus. (Att. 17)

6. Pievienojiet kabelus rokturim, izmantojot kabelu turētājus. (Att. 18)

Piezīme: Pārļiecinieties, vai kabeli nav nospriegoti pārāk stingri. Pārāk liels nospriegums var sabojāt kabeli, ja rokturis tiek nolocīts transportēšanas pozīcijā.

7. Novietojiet kabelus uz āķa roktura apakšdaļā. (Att. 19)

Roktura augstuma regulēšana

1. Atskrūvējiet apakšējos fiksatorus. (Att. 20)
2. Noņemiet fiksatorus, paplāksnes un skrūves kreisajā un labajā pusē.
3. Rokturi var montēt 2 dažādos augstumos. Ievietojiet skrūves vienā no 2 atverēm kreisajā un labajā pusē. (Att. 21)
4. Piestipriniet skrūves, paplāksnes un fiksatorus.
5. Virziet fiksatorus uz augšu roktura virzienā, līdz tie apstājas un jūs dzirdat klikšķi. Pilnībā pievelciet fiksatorus. (Att. 22)

Produkta novietošana transportēšanas pozīcijā

1. Noņemiet zāles savācēju.
2. Atskrūvējiet vaļīgāk fiksatorus uz augšējā roktura un nolokiet rokturi uz leju. (Att. 23)

3. Atlaidiet apakšējos fiksatorus.
4. Pārvietojiet fiksatorus uz rievu apakšējo malu izstrādājuma kreisajā un labajā pusē. (Att. 24)
5. Nolokiet rokturi uz priekšu. (Att. 25)

Izstrādājuma novietošana darbības pozīcijā

1. Paceliet stūri, līdz apakšējais rokturis fiksējas darba pozīcijā. (Att. 26)
2. Pārvietojiet fiksatorus uz augšu roktura virzienā, līdz tie apstājas un atskan klikšķis.
3. Pilnībā pievelciet fiksatorus. (Att. 27)
4. Paceliet stūres augšdaļu.
5. Pilnībā pievelciet fiksatorus. (Att. 28)

Zāles savācēja montāža

1. Novietojiet zāles savācēja augšējo daļu uz zāles savācēja apakšējās daļas. (Att. 29)
2. Piestipriniet zāles savācēja rāmi ar skavām. (Att. 30)
3. Noceliet aizmugurējo pārsegu.
4. Piestipriniet āķus uz zāles savācēja šasijas augšējai malai. (Att. 31)
5. Ievietojiet zāles savācēja apakšējo daļu zāles izmešanas atverē.

Lietošana

Ievads



BRĪDINĀJUMS: Pirms sākat darbu ar produktu, izlasiet nodaļu par drošību un pārļiecinieties, vai saprotat to.

Husqvarna Connect

Husqvarna Connect ir bezmaksas lietotne jūsu mobilajai ierīcei. Lietotne Husqvarna Connect nodrošina paplašinātas funkcijas jūsu Husqvarna izstrādājumam:

- Paplašināta izstrādājuma informācija.
- Informācija par izstrādājuma daļām un apkopi un palīdzība ar to.

Lai sāktu izmantot Husqvarna Connect

1. Lejupielādējiet Husqvarna Connect lietotni savā mobilajā ierīcē.
2. Reģistrējieties Husqvarna Connect lietotnē.
3. Izpildiet Husqvarna Connect lietotnē sniegtos norādījumus, lai savienotu un reģistrētu produktu.

Pirms izstrādājuma darbināšanas

1. Uzmanīgi izlasiet lietotāja rokasgrāmatu un pārļiecinieties, vai izprotat instrukcijas.

2. Pārbaudiet griešanas aprikojumu, lai pārļiecinātos, vai tas ir pareizi piestiprināts un noregulēts. Skatiet šeit: *Griešanas aprikojuma pārbaudīšana lpp. 206.*
3. Uzpildiet degvielas tvertni. Skatiet šeit: *Degvielas uzpildīšana lpp. 204.*
4. Uzpildiet degvielas tvertni un pārbaudiet eļļas līmeni. Skatiet šeit: *Eļļas līmeņa pārbaude lpp. 207.*

Degvielas uzpildīšana

Ja iespējams, izmantojiet degvielu ar zemu emisiju līmeni/alkilātu degvielu. Ja degviela ar zemu emisiju līmeni/alkilātu degviela nav pieejama, izmantojiet labas kvalitātes bezsvina benzīnu vai svīnu saturošu benzīnu, kura oktānskaitlis nav mazāks par 91.



IEVĒROJIET: Nelietojiet benzīnu, kura oktānskaitlis ir zemāks par 91 RON. Pretējā gadījumā produktu var sabojāt.



IEVĒROJIET: Nomainiet degvielas filtru reizi gadā vai biežāk, ja nepieciešams. Jauns degvielas filtrs ir pieejams pie jūsu Husqvarna izplatītāja.



IEVĒROJIET: Pirms degvielas uzpildes noteikti apturiet dzinēju.



IEVĒROJIET: Iedarbināšanai neizmantojiet iedarbināšanas šķidrumu zem spiediena.

- Lēni atveriet degvielas tvertnes vāciņu, lai samazinātu spiedienu.
- Lēni uzpildiet ar degvielas kannu. Ja esat izšļakstījis degvielu, noīriet to ar drāniņu un ļaujiet atlikušajai degvielai nožūt. (Att. 32)
- Notīriet vietu ap degvielas tvertnes vāciņu.
- Pilnībā piegrieziet degvielas tvertnes vāciņu. Ja degvielas tvertnes vāciņš nav piegriezts, pastāv aizdegšanās risks.
- Pirms iedarbināšanas pārvietojiet izstrādājumu vismaz 3 m/10 pēdas no vietas, kur piepildījāt tvertni.

Pļaušanas augstuma regulēšana

- Lai palielinātu griešanas augstumu, pārvietojiet griešanas augstuma sviru uz aizmuguri.
- Lai samazinātu griešanas augstumu, pārvietojiet griešanas augstuma sviru uz priekšu. (Att. 33)



IEVĒROJIET: Neiestatiet griešanas augstumu pārāk zemu. Ja zāliena virsma nav līdzena, asmeņi var saskarties ar zemi.

Izstrādājuma iedarbināšana

- Pārlicinieties, vai aizdedzes vads ir pievienots aizdedzes svecei.
- Stāviet aiz izstrādājuma.

- Turiet dzinēja bremžu rokturi pretī stūrei. (Att. 34)
- Turiet startera auklas rokturi ar labo roku.
- Lēni velciet startera auklu, līdz sajūtat pretestību.
- Lai iedarbinātu dzinēju, spēcīgi to pavelciet.



BRĪDINĀJUMS: Netiniet startera auklu ap roku.

Piedziņas izmantošana riteņiem

- Pabīdiet piedziņas rokturi stūres virzienā. (Att. 35)
- Atļaidiet piedziņas rokturi, lai atvienotu piedziņu, piemēram, ja ejat tuvu šķērslim.
- Pirms velkat izstrādājumu uz aizmuguri, atvienojiet piedziņu un pastumiet izstrādājumu uz priekšu par aptuveni 10 cm.

Izstrādājuma apturēšana

- Lai apturētu tikai piedziņu, atļaidiet piedziņas rokturi.
- Lai apturētu dzinēju, atļaidiet dzinēja bremžu rokturi.

Laba rezultāta panākšana

- Vienmēr lietojiet tikai asus asmeņus. Lietojot trulu asmeni, pļaušanas rezultāts ir nevienmērīgs, un noplautā zāles virsma kļūst dzeltena. Ass asmens arī patērē mazāk enerģijas nekā truls asmens.
- Nepļaujiet vairāk par 1/3 no zāles garuma. Vispirms pļaujiet ar lielu pļaušanas augstuma iestatījumu. Pārbaudiet rezultātu un nolaidiet pļaušanas augstumu līdz pieņemamam līmenim. Ja zāle ir ļoti gara, pļaujiet lēni un, ja nepieciešams, dariet to divreiz.
- Katru reizi pļaujiet dažādos virzienus, lai zāliena neatstātu svītras.

Apkope

Ievads



BRĪDINĀJUMS: Pirms veicat apkopi, izlasiet nodaļu par drošību un pārlicinieties, vai izprotat to.

Lai veiktu visus izstrādājuma apkopes un remonta darbus, ir nepieciešama īpaša apmācība. Mēs garantējam profesionāla remonta un apkopes pieejamību. Ja jūsu izplatītājs nav servisa pārstāvis, vērsieties pie viņa, lai iegūtu informāciju par tuvāko servisa pārstāvi.



IEVĒROJIET: Sasverot šo izstrādājumu, nodrošiniet, lai gaisa filtrs būtu pavērsts augšup, nevis pret zemi. Pastāv risks izraisīt dzinēja bojājumus.

Apkopes intervāli tiek aprēķināti atbilstoši izstrādājuma ikdienas lietošanai. Intervāli mainās, ja izstrādājumu neizmanto ikdienā.

Attiecībā uz apkopi, kas atzīmēta ar zīmi *, skatiet instrukcijas sadaļā *Izstrādājuma drošības ierīces lpp. 202*.

| Apkope | Katru dienu | Reizi mēnesī | Katru sezonu |
|----------------------------|-------------|--------------|--------------|
| Veiciet vispārīgu pārbaudi | X | | |

| Apkope | Katru dienu | Reizi mēnesī | Katru sezonu |
|--|-------------|--------------|--------------|
| Pārbaudiet eļļas līmeni | X | | |
| Nomainiet eļļu (pirmo reizi pēc 5 h lietošanas, pēc tam — ik pēc 50 h lietošanas) ¹⁰⁶ | | | X |
| Izstrādājuma tīrīšana | X | | |
| Pārbaudiet griešanas aprikojumu | X | | |
| Pārbaudiet griešanas pārsegu* | X | | |
| Pārbaudiet dzinēja bremžu rokturi* | X | | |
| Pārbaudiet slāpētāju* | | X | |
| Pārbaudiet aizdedzes sveci. Ja nepieciešams, notīriet vai nomainiet aizdedzes sveci | | | X |
| Pārbaudiet gaisa filtru | X | | |
| Iztīriet gaisa filtru ¹⁰⁷ | | X | |
| Nomainiet gaisa filtru. | | | X |
| Pārbaudiet degvielas sistēmu | | | X |
| Notīriet cilindra dzesēšanas spārņņus | | X | |
| Pārbaudiet un noregulējiet sajūga trosīti (LC 140SP) | | | X |

Vispārējās pārbaudes veikšana

- Pārliecinieties, vai visi uzgriežņi un skrūves uz izstrādājuma ir pareizi pievītkti.

Produkta tīrīšana no ārpusē

- Izmantojiet suku, lai notīrītu lapas, zāli un nefūrumus.
- Pārliecinieties, vai gaisa iekļūde dzinēja augšpusē nav bloķēta.
- Produktu nedrīkst skalot ar augstspiediena ūdens strūklu.
- Ja izstrādājuma tīrīšanai izmantojat ūdeni, nelejiet to tieši uz dzinēja.

Griešanas pārsega iekšējās virsmas tīrīšana

- Iztukšojiet degvielas tvertni.
- Sagāziet izstrādājumu. Pārliecinieties, vai aizdedzes svece ir virzienā uz augšu.



IEVĒROJIET: Novietojot izstrādājumu ar gaisa filtru uz leju, var sabojāt dzinēju.

- Ar šļūteni noskalojiet griešanas pārsega iekšējo virsmu.

¹⁰⁶ Ja izstrādājums tiek darbināts lielas slodzes vai augstas apkārtējās temperatūras apstākļos, nomainiet dzinēja eļļu ik pēc 25 darba stundām.

¹⁰⁷ Ja darbs notiek putekļainā vidē vai pastāv gaisā esošu daļiņu klātbūtne, filtra tīrīšanu veiciet biežāk. Ja gaisa filtrs ir ļoti netīrs, nomainiet to.

Griešanas aprikojuma pārbaudīšana



BRĪDINĀJUMS: Lai novērstu nejaušu palaišanu, atvienojiet aizdedzes vadu no aizdedzes sveces.



BRĪDINĀJUMS: Veicot griešanas aprikojuma apkopi, velciet aizsargcimdus. Asmens ir ļoti ass, un ar to var viegli sagriezties.

- Pārbaudiet, vai griešanas aprikojums nav bojāts vai iekļūst. Vienmēr nomainiet bojātu griešanas ierīci.
- Apskatiet asmeni, lai redzētu, vai tas nav bojāts vai truls.

Piezīme: Vajadzības gadījumā pēc asmens uzasināšanas to balansējiet. Ļaujiet servisa centram asināt, nomainīt un balansēt asmeni. Ja saskarities ar šķērslī, kas liek izstrādājumam apstāties, nomainiet bojāto asmeni. Lai apkopes centra pārstāvis novērtē, vai asmens ir jāuzasina, vai arī tas ir jānomaina.

Asmens nomainīšana

- Bloķējiet asmeni ar koka klucīti. (Att. 36)

- Izņemiet asmens skrūvi.
- Noņemiet asmeni.
- Pārbaudiet asmens atbalstu un asmens skrūvi, lai redzētu, vai nav bojājumu.
- Pārbaudiet dzinēja vārpstu, lai pārlicinātos, vai tā nav saliekta.
- Kad piestiprināt jauno asmeni, vēršiet asmens saliekto galus griešanas pārsega virzienā. (Att. 37)
- Pārlicinieties, vai asmens ir salāgots ar dzinēja vārpstas centru.
- Blokējiet asmeni ar koka klucīti. Piestipriniet atspēraplāksni un piegrieziet skrūvi un aplāksni ar 45–60 Nm griezes momentu. (Att. 38)
- Ar roku pagrieziet asmeni un pārbaudiet, vai tas griežas brīvi.



BRĪDINĀJUMS: Velciet biezus cimdus. Asmens ir ļoti ass, un ar to var viegli sagriezties.

- Iedarbiniet izstrādājumu, lai pārbaudītu asmeni. Ja asmens nav pareizi piestiprināts, izstrādājums vibrē vai plaušanas rezultāts nav apmierinošs.

Eļļas līmeņa pārbaude



IEVĒROJIET: Pārāk zems eļļas līmenis var izraisīt dzinēja bojājumus. Pirms iedarbināt izstrādājumu, pārbaudiet eļļas līmeni.

- Novietojiet izstrādājumu uz līdzenas virsmas.
- Noņemiet eļļas tvertnes vāciņu ar piestiprināto mērstieni.
- Noīriet no mērstieņa eļļu.
- Ievietojiet mērstieni pilnībā eļļas tvertnē, lai iegūtu pareizu priekšstatu par eļļas līmeni.
- Izņemiet mērstieni.
- Pārbaudiet eļļas līmeni uz mērstieņa.
- Ja eļļas līmenis ir pārāk zems, uzpildiet dzinēja eļļu un pārbaudiet eļļas līmeni vēlreiz.

Pleizīme: Lai novērstu eļļas izšļakstīšanos, izmantojiet piltuvi.

Dzinēja eļļas maiņa



BRĪDINĀJUMS: Uzreiz pēc dzinēja izslēgšanas dzinēja eļļa ir ļoti karsta. Ļaujiet dzinējam atdzist, pirms nolejat dzinēja eļļu. Ja esat uzšļakstījis dzinēja eļļu uz ādas, nomazgājiet to ar ziepēm un ūdeni.

(Att. 39)

Pleizīme: Lietojiet 4 taktu dzinējiem paredzētu eļļu. Noteikti izmantojiet eļļu ar apkārtējai temperatūrai atbilstošu viskozitāti.

- Darbiniet izstrādājumu, līdz degvielas tvertne ir tukša.
- Noņemiet aizdedzes vadu no aizdedzes sveces.
- Noņemiet eļļas tvertnes vāciņu.
- Iztukšojiet eļļu no eļļas tvertnes, izmantojot eļļas sūkni (piederums).
- Iepildiet jaunu dzinēja eļļu, kuras tips atbilst ieteikumiem *Tehniskie dati lpp. 209*.
- Pārbaudiet eļļas līmeni. Skatiet šeit: *Eļļas līmeņa pārbaude lpp. 207*.

Putuplasta filtra tīršana

- Noņemiet gaisa filtra pārsegu un izņemiet putuplasta filtru.
- Iztīriet putuplasta filtru ar ziepēm un ūdeni.
- Noskalojiet putuplasta filtru tīrā ūdenī.
- Izspiediet ūdeni no putuplasta filtra un ļaujiet tam nožūt.



IEVĒROJIET: Neizmantojiet saspiesto gaisu. Tas var izraisīt putuplasta filtra bojājumus.

- Ieeļļojiet putuplasta filtru ar dzinēja eļļu.
- Uzspiediet ar tīru drāniņu uz putuplasta filtra, lai noņemtu lieko eļļu.
- Novietojiet gaisa filtru atpakaļ. Pārlicinieties, vai gaisa filtrs pilnībā atbalstās pret gaisa filtra turētāju.
- Novietojiet atpakaļ gaisa filtra pārsegu.

Aizdedzes sveces pārbaude



IEVĒROJIET: Vienmēr lietojiet ieteikto aizdedzes sveces tipu. Nepiemērota aizdedzes svece var radīt izstrādājuma bojājumus.

- Pārbaudiet aizdedzes sveci, ja dzinējam nepietiek jaudas, dzinēju nevar viegli iedarbināt vai arī tas nedarbojas pareizi tukšgaitā.
- Lai samazinātu nevēlamu materiālu uzkrāšanos uz aizdedzes sveces elektrodiem, ievērojiet turpmākos norādījumus.
 - Pārlicinieties, vai tukšgaitas apgriezenu skaits ir noregulēts pareizi.
 - Pārlicinieties, vai degvielas maisījums ir atbilstošs.
 - Pārlicinieties, vai gaisa filtrs ir tīrs.
- Ja aizdedzes svece ir nefīra, noīriet to un pārbaudiet, vai atstatums starp elektrodiem ir pareizs; skatiet šeit: *Tehniskie dati lpp. 209*. (Att. 40)
- Ja nepieciešams, nomainiet aizdedzes sveci.

Degvielas sistēmas pārbaude

- Pārbaudiet degvielas tvertnes vāciņu un degvielas tvertnes vāciņa blīvi, lai pārliecinātos, vai nav bojājumu.
- Pārbaudiet degvielas šļūtenes, lai pārbaudītu, vai nav noplūdes. Ja degvielas šļūtene ir bojāta, ļaujiet servisa pārstāvim to nomainīt.

Sajūga vada regulēšana (LC 140SP)

Tālāk norādītajos gadījumos sajūga vads ir jāsaīšina:

- Riteņu piedziņa nesaslēdzas, kad tiek pavilkts piedziņas rokturis vai apgrīzietu skaita regulēšanas svira.
- Izstrādājums pārvietojas lēni, kad riteņu piedziņa ir saslēgusies.

Tālāk norādītajos gadījumos sajūga vads ir jāpagarina:

- Izstrādājums pārvietojas, kad riteņu piedziņa nav saslēgusies.
- Sajūga vada regulēšana.
 - a) Lai saīsinātu sajūga vadu, pagrieziet regulēšanas skrūvi pretēji pulksteņa rādītāju kustības virzienam.
 - b) Lai pagarinātu sajūga vadu, pagrieziet regulēšanas skrūvi pulksteņa rādītāju kustības virzienā. (Att. 41)

Ja izstrādājuma pārvietošanās pēc regulēšanas joprojām nav apmierinoša, sazinieties ar izplatītāju, kas nodrošina servisu

Dzinēja problēmu novēršana

| Problēma | Iespējamais iemesls | Risinājums |
|--------------------------------|---|---|
| Nevar iedarbināt dzinēju. | Nav pareizi pievienots aizdedzes kabelis. | Pievienojiet aizdedzes kabeli aizdedzes svecei. |
| | Degvielas tvertne ir tukša. | Uzpildiet degvielas tvertni ar atbilstoša veida degvielu. |
| | Degviela ir veca. | Iztukšojiet degvielas tvertni un karburatoru. Ielejiet jaunu benzīnu. |
| | Karburatorā vai degvielas pievades caurulē ir netīrumi. | Iztīriet karburatoru un/vai degvielas caurulvadu. |
| | Ir bojāta aizdedzes svece. | Noregulējiet elektrodu atstarpī, notīriet vai nomainiet aizdedzes sveci. |
| | Uz aizdedzes sveces ir degviela. | Notīriet aizdedzes sveci. |
| Dzinēju nevar apturēt. | Bojāts apturēšanas mehānisms. | Atvienojiet aizdedzes vadu no aizdedzes sveces. Uzticiet izstrādājuma remontdarbus apstiprināta apkopes uzņēmuma pārstāvim. |
| Dzinējs darbojas nevienmērīgi. | Nav pareizi pievienots aizdedzes kabelis. | Pievienojiet aizdedzes kabeli aizdedzes svecei. |
| | Degvielas cauruļvadā ir netīrumi, vai degvielai ir beidzies derīgums. | Iztīriet degvielas cauruļvadu. Uzpildiet degvielas tvertni ar svaigu, atbilstošu degvielu. |
| | Aizsērējais degvielas tvertnes vāciņš. | Iztīriet degvielas tvertnes vāciņu. |
| | Degvielas sistēmā ir ūdens vai netīrumi. | Iztukšojiet degvielas tvertni. Uzpildiet degvielas tvertni ar svaigu, atbilstošu degvielu. |
| | Netīrs gaisa filtrs. | Iztīriet gaisa filtru. |
| | Jāregulē karburators. | Uzticiet karburatora regulēšanu apkopes darbiniekiem. |

| Problēma | Iespējamais iemesls | Risinājums |
|---|--|--|
| Dzinējs pārāk sakarst. | Dzinēja eļļas līmenis ir pārāk zems. | Iepildiet dzinēja eļļu. |
| | Nepietiekama gaisa plūsma. | Iztīriet gaisa filtru un gaisa filtra korpusu. |
| | Jāregulē karburators. | Uzticiet karburatora regulēšanu apkopes darbiniekiem. |
| Dzinējam darbojoties ar lielu apgriezīgu skaitu, rodas dzinēja aizdedzes kļūme. | Pārāk maza elektrodu atstarpe aizdedzes svece. | Pielāgojiet elektrodu atstarpi. |
| Neparasti trokšņi dzinējā normālas slodzes apstākļos. | Nepareizs benzīna tips. | Iztukšojiet degvielas tvertni un karburatoru. Ielejiet jaunu benzīnu. Skatiet: <i>Degvielas uzpildīšana lpp. 204</i> . Ja problēma joprojām pastāv, sazinieties ar vietējo apkopes dīleri. |
| Dzinējs nedarbojas vienmērīgi tukšgaitas ātrumā. | Netīra aizdedzes svece, bojāts elektrods vai pārāk plata elektrodu atstarpe. | Noregulējiet elektrodu atstarpi vai nomainiet aizdedzes sveci. |
| | Jāregulē karburators. | Noregulējiet karburatoru. |
| | Netīrs gaisa filtrs. | Iztīriet gaisa filtru. |

Pārvadāšana, glabāšana un utilizēšana

Transportēšana un glabāšana

- Attiecībā uz izstrādājuma degvielas glabāšanu un transportēšanu pārliecinieties, vai nav noplūdes vai tvaiku. Dzirksteles vai atklātas liesmas, ko rada, piemēram, elektroierīces vai tvaika katli, var izraisīt ugunsgrēku.
- Vienmēr izmantojiet apstiprinātas tvertnes degvielas glabāšanai un transportēšanai.
- Iztukšojiet degvielas tvertni, pirms novietojat izstrādājumu glabāšanai uz ilgāku laiku. Nododiet degvielu piemērojamā utilizēšanas vietā.
- Transportēšanas laikā droši nostipriniet izstrādājumu, lai novērstu bojājumus un negadījumus.
- Glabājiet izstrādājumu norobežotā vietā, lai novērstu to, ka tam var piekļūt bērni vai personas, kam tas nav atļauts.

- Glabājiet izstrādājumu sausā vietā, kurā temperatūra nepazeminās zem 0°C.

Utilizēšana

- Ievērojiet vietējās pārstrādes prasības un piemērojamus noteikumus.
- Utilizējiet visas ķīmikālijas, piemēram, dzinēja eļļu vai degvielu, servisa centrā vai piemērojamā utilizācijas vietā.
- Kad izstrādājums vairs netiek izmantots, nosūtiet to Husqvarna izplatītājam vai nogādājiet to pārstrādes vietā.

Tehniskie dati

Tehniskie dati

| | LC 140P | LC 140SP |
|----------------|-----------|-----------|
| Dzinējs | | |
| Zīmols | Husqvarna | Husqvarna |

| | LC 140P | LC 140SP |
|---|---|---|
| Dzinēja modeļa nosaukums | HS 123A | HS 123A |
| Dzinēja tips | Viencilindra, 4 taktu, piespiedgaisdzese, OHV | Viencilindra, 4 taktu, piespiedgaisdzese, OHV |
| Dzinēja tilpums, cm ³ | 123 | 123 |
| Ātrums, apgr./min | 3000 | 3000 |
| Dzinēja nomināljauda, kW ¹⁰⁸ | 1,95 | 1,95 |
| Aizdedzes sistēma | | |
| Aizdedzes svece | Husqvarna HQT-7 | Husqvarna HQT-7 |
| Attālums starp elektrodiem, mm | 0,7-0,8 | 0,7-0,8 |
| Degvielas un eļļošanas sistēma | | |
| Dzinēja eļļošanas veids | Šķaideļļošana | Šķaideļļošana |
| Degvielas tvertnes ietilpība, litri | 0,9 | 0,9 |
| Eļļas tvertnes tilpums, litros | 0,5 | 0,5 |
| Dzinēja eļļa ¹⁰⁹ | Husqvarna SAE 30 | Husqvarna SAE 30 |
| Svars | | |
| Svars ar tukšu tvertni, kg | 25,2 | 26,8 |
| Trokšņa emisija¹¹⁰ | | |
| Akustiskās jaudas līmenis, izmērītais, dB (A) | 93 | 93 |
| Akustiskās jaudas līmenis, garantētais, L _{WA} dB(A) | 95 | 95 |
| Skaņas līmeņi¹¹¹ | | |
| Skaņas spiediena līmenis pie operatora auss, dB(A) | 81 | 81 |
| Vibrācijas līmeņi¹¹² | | |
| Stūres vibrācija, m/s ² | 5,6 | 7,6 |
| Griešanas ierīce | | |
| Griešanas augstums, mm | 25-75 | 25-75 |
| Pļaušanas platums, cm | 400 | 400 |
| Pļaušanas sistēma | Savākšana/aizmugurējā izmete | Savākšana/aizmugurējā izmete |
| Asmeņi — standarta | Vākšana, 5873863-10 | Vākšana, 5873863-10 |

¹⁰⁸ Maksimāli pieļaujamā dzinēja jauda ir vidējā tipiskā ražošanas dzinēja neto jauda (pēc noteiktajiem apgr./min.) dzinēja modelim, kas mērita pēc SAE standarta J1349/ISO1585. Vairākumam dzinēju šis lielums var atšķirties no šeit norādītā. Faktiskā izejas jauda dzinējam, kas uzstādīts gala izstrādājumam, būs atkarīga no darbības ātruma, vides apstākļiem un citiem lielumiem.

¹⁰⁹ Ja eļļa SAE-30 tiek lietota apstākļos, kad temperatūra ir zemāka nekā +5 °C, pastāv nepietiekamas dzinēja eļļošanas risks. Tas var izraisīt dzinēja bojājumus. Informāciju par zemu temperatūrai piemērotu eļļu skatiet šeit: *Dzinēja eļļas maiņa lpp. 207.*

¹¹⁰ Atbilstoši EK direktīvai 2000/14/EK trokšņa emisija apkārtņē ir mērīta kā akustiskā jauda (L_{WA}).

¹¹¹ Sniegtajos datos par skaņas spiediena līmeni tipiskā statistiskā izkliede ir 1,2 dB(A) (standartnovirze).

¹¹² Sniegtajos datos par vibrācijas līmeni tipiska statistiskā izkliede ir 0,2 m/s² (standarta novirze).

| | LC 140P | LC 140SP |
|-------------------------------|---------|----------|
| Zāles savācēja tilpums, litri | 50 | 50 |
| Braukšana | | |
| Kustības ātrums, km/h | – | 4 |

EK atbilstības deklarācija

EK atbilstības deklarācija

Husqvarna AB, SE-561 82 Huskvarna, Zviedrija, tālr. nr.:
+46-36-146500, apliecina, ka **zālespļāvējs Husqvarna**
LC 140P, LC 140SP, kas ražots sākot ar 2020. gadu,
atbilst PADOMES DIREKTĪVAS prasībām:

- 2011. gada 8. jūnija direktīva **2011/65/ES** "par dažu bīstamu vielu izmantošanas ierobežošanu".
- 2006. gada 17. maijs, Direktīva **2006/42/EK**, "par mašīnu tehniku";
- 2014. gada 26. februāra direktīva **2014/30/ES** "par elektromagnētisko saderību";
- 2000. gada 8. maija direktīva **2000/14/EK** "par trokšņa emisiju vidē".

Lai iegūtu informāciju par trokšņa emisijām, skatiet sadaļu "Tehniskie dati".

Tiek piemēroti tālāk norādītie standarti.

EN ISO 5395-1:2013, EN ISO 5395-1:2013/A1, EN ISO 5395-2:2013, EN ISO 5395-2:2013/A1:2016, EN ISO 5395-2:2013/A2:2017, EN ISO 14982:2009

Ja nav norādīts citādi, ir spēkā iepriekš uzskaitīto standartu jaunākās publicētās versijas.

Pilnvarotā iestāde **0036, TÜV SÜD Industrie Service GmbH, Westendstrasse 199, 80686 München, Germany** ir veikusi atbilstības pārbaudi saskaņā ar Direktīvas 2000/14/EK VI pielikumu.

Huskvarna, 2020-10-20



Claes Losdal, nodaļas vadītājs/dārzkopības izstrādājumi
(Pilnvarotais Husqvarna AB pārstāvis, kas atbild par tehnisko dokumentāciju)

Inhoud

| | | | |
|-----------------|-----|--|-----|
| Inleiding..... | 213 | Storingzoeken in de motor..... | 222 |
| Veiligheid..... | 214 | Vervoer, opslag en verwerking..... | 223 |
| Montage..... | 217 | Technische gegevens..... | 223 |
| Werking..... | 217 | EG verklaring van overeenstemming..... | 225 |
| Onderhoud..... | 219 | | |

Inleiding

Productbeschrijving

Het product is een roterende duwmaaier. Het gras wordt verzameld in een grasopvangbak. Verwijder de grasopvangbak om het gras aan de achterkant af te voeren.

Productoverzicht

(Fig. 1)

1. Hendel / handgreep
2. Aandrijfhendel (LC 140SP)
3. Startkoordhendel
4. Grasopvangbak
5. Brandstoftank
6. Luchtfilter
7. Bougie
8. Kap van maaidek
9. Geluiddemper
10. Olietankdop
11. Maaihoogtehendel
12. Achterklep
13. Motorremhendel
14. Symbolen
15. Montagepunt onderste hendel
16. Onderste hendel
17. Bedieningshandleiding
18. Olietrichter

Symbolen op het product

- (Fig. 2) **WAARSCHUWING!** Wees voorzichtig en gebruik het product op de juiste manier. Dit product kan ernstig of fataal letsel toebrengen aan de gebruiker of anderen.
- (Fig. 3) Lees de bedieningshandleiding zorgvuldig door en zorg dat u de instructies hebt begrepen voordat u het product gebruikt.
- (Fig. 4) Kijk uit voor weggeslingerde en afgeketste voorwerpen.
- (Fig. 5) Houd personen en dieren op veilige afstand van het werkgebied.

Gebruik

Gebruik het product om gras te maaien. Gebruik het product niet voor andere taken.

(Fig. 6) **Waarschuwing:** Houd handen en voeten uit de buurt van het roterende mes.

(Fig. 7) **Waarschuwing:** Houd handen en voeten uit de buurt van draaiende onderdelen.

(Fig. 8) Zet de motor uit en verwijder de ontstekingskabel voordat u reparaties of onderhoud uitvoert.

(Fig. 9) Dit product voldoet aan de geldende EG-richtlijnen.

(Fig. 10) Geluidsemissie naar de omgeving volgens de richtlijn van de Europese Gemeenschap. De emissie van het product is vermeld in het hoofdstuk "Technische gegevens" en op het label.

(Fig. 11) **Risico op brand.**

(Fig. 12) Adem geen uitlaatgassen in. Uitlaatgassen van de motor bevatten koolmonoxide, een geurloos, giftig en uiterst gevaarlijk gas. Start de motor nooit binnenshuis of in gesloten ruimten.

(Fig. 13) **Warm oppervlak.**

(Fig. 14) Vul de motor met olie voordat u het product start.

Let op: Andere symbolen/stickers op het product hebben betrekking op certificeringseisen voor een aantal commerciële markten.

Euro V-emissies



WAARSCHUWING: De EU-typegoedkeuring van dit product vervalt als ongeoorloofde wijzigingen aan de motor aangebracht worden.

Productaansprakelijkheid

Zoals uiteengezet in de wet voor productaansprakelijkheid zijn wij niet aansprakelijk voor schade die door ons product wordt veroorzaakt, indien:

- het product niet goed is gerepareerd.
- het product is gerepareerd met onderdelen die niet van de fabrikant afkomstig zijn, of onderdelen die niet zijn goedgekeurd door de fabrikant.
- het product een accessoire bevat dat niet afkomstig is van de fabrikant of niet is goedgekeurd door de fabrikant.
- het product niet is gerepareerd door een erkend servicepunt of door een erkende autoriteit.

Veiligheid

Veiligheidsdefinities

Waarschuwingen, voorzorgsmaatregelen en opmerkingen worden gebruikt om te wijzen op belangrijke delen van de handleiding.



WAARSCHUWING: Wordt gebruikt om te wijzen op de kans op ernstig of fataal letsel voor de gebruiker of omstanders wanneer de instructies in de handleiding niet worden gevolgd.



OPGELET: Wordt gebruikt indien er een risico bestaat op schade aan het product en andere eigendommen of aan de omgeving wanneer de instructies in de handleiding niet worden gevolgd.

Let op: Geven verdere informatie die nodig is in een bepaalde situatie.

Algemene veiligheidsinstructies



WAARSCHUWING: Lees de volgende waarschuwingen voordat u het product gaat gebruiken.

- Dit product is gevaarlijk als het verkeerd wordt gebruikt, of als u niet voorzichtig bent. Letsel of overlijden kunnen het gevolg zijn als u de veiligheidsvoorschriften negeert.
- Dit product produceert tijdens bedrijf een elektromagnetisch veld. Dit veld kan onder bepaalde omstandigheden de werking van actieve of passieve medische implantaten verstoren. Om het risico op ernstig of dodelijk letsel te beperken, raden we personen met een medisch implantaat aan om contact op te nemen met hun arts en de fabrikant van het medische implantaat alvorens dit product te gaan gebruiken.
- Wees altijd voorzichtig en gebruik uw gezond verstand. Als u niet zeker weet hoe u het product moet bedienen in een bepaalde situatie, stop dan en

informeer bij uw Husqvarna dealer voordat u verdergaat.

- Denk erom dat de bediener of gebruiker verantwoordelijk is voor ongelukken of beschadigingen aan eigendommen.
- Houd het product schoon. Zorg ervoor dat u de aanduidingen en stickers duidelijk kunt lezen.
- Laat niemand het product gebruiken tenzij u zeker weet dat deze de inhoud van de gebruikershandleiding hebben gelezen en begrepen.
- Laat het product niet door een kind bedienen.
- Houd kinderen uit het werkgebied. Er moet te allen tijde een verantwoordelijke volwassene aanwezig zijn.
- Laat het product niet bedienen door een persoon die de instructies niet heeft gelezen.
- Houd personen met een lichamelijke of geestelijke beperking die het product gebruiken, altijd in de gaten. Er moet te allen tijde een verantwoordelijke volwassene aanwezig zijn.
- Gebruik het product nooit als u moe of ziek bent, of onder invloed van alcohol, drugs of medicijnen verkeert. Dit heeft een negatief effect op uw visie, alertheid, coördinatie en oordeel.
- Gebruik het product niet als het defect is.
- Wijzig dit product niet of gebruik het niet als het door anderen kan zijn gewijzigd.
- Wijzig de afstelling voor de motoroerentalregeling niet.

Veiligheid van het werkgebied



WAARSCHUWING: Lees de volgende waarschuwingen voordat u het product gaat gebruiken.

- Verwijder objecten zoals takken, twijgen en stenen uit het werkgebied voordat u het product gaat gebruiken.
- Objecten die tegen de snijtrusting aankomen, kunnen worden uitgeworpen en schade veroorzaken aan personen en objecten. Houd omstanders en dieren op veilige afstand van het product.

- Gebruik het product nooit in slechte weersomstandigheden zoals mist, regen, sterke wind, hevige kou of als er gevaar is voor blikseminslag. Het gebruik van dit product bij slecht weer of op vochtige of natte plaatsen is vermoeiend. Slecht weer kan leiden tot gevaarlijke situaties zoals gladde ondergronden.
- Kijk uit voor personen, objecten en situaties die een veilig gebruik van het product kunnen verhinderen.
- Kijk uit voor obstakels zoals wortels, stenen, takjes, kuilen en greppels. Obstakels kunnen moeilijk te zien zijn door hoog gras.
- Gras maaien op hellingen kan gevaarlijk zijn. Gebruik het product niet op een helling van meer dan 15°.
- Gebruik het product dwars over het oppervlak van hellingen. Ga niet van boven naar beneden.
- Wees voorzichtig wanneer u in de buurt komt van onoverzichtelijke bochten en voorwerpen die uw zicht kunnen belemmeren.
- Blijf altijd achter het product wanneer u het gebruikt.
- Zorg dat alle wielen op de grond blijven en houd 2 handen op de handgreep tijdens de bediening van het product. Houd uw handen en voeten uit de buurt van de roterende messen.
- Kantel het product niet terwijl de motor draait.
- Wees voorzichtig wanneer u het product naar achteren trekt.
- Til het product nooit op terwijl de motor draait. Als het product toch moet worden opgetild, zet dan eerst de motor uit en ontkoppel de ontstekingskabel van de bougie.
- Loop niet achteruit wanneer u het product bedient.
- Stop de motor als u in gebieden zonder gras komt, bijvoorbeeld op paden van grind, stenen en asfalt.
- Loop niet hard met het product wanneer de motor is ingeschakeld. Loop altijd rustig wanneer u het product bedient.
- Zet de motor uit voordat u de maaiahogte wijzigt. Voer nooit afstellingen uit terwijl de motor draait.
- Houd altijd toezicht op het product wanneer de motor draait. Schakel de motor uit en zorg ervoor dat de snijuitrusting niet draait.

Werkveiligheid



WAARSCHUWING: Lees de volgende waarschuwingen voordat u het product gaat gebruiken.

- Gebruik dit product alleen om gazons te maaien. Het is niet toegestaan om het product voor andere doeleinden te gebruiken.
- Maak altijd gebruik van persoonlijke beschermingsmiddelen. Zie *Persoonlijke beschermingsuitrusting op pagina 215*.
- Zorg ervoor dat u weet hoe u de motor in een noodsituatie snel kunt stoppen.
- Start de motor nooit in een gesloten ruimte of in de buurt van brandbaar materiaal. De uitlaatdampen van de motor zijn heet en kunnen vonken bevatten die brand kunnen veroorzaken.
- Gebruik dit product alleen als het mes en alle afdekkingen correct zijn bevestigd. Een verkeerd bevestigd mes kan losraken en letsel veroorzaken.
- Zorg ervoor dat het mes geen voorwerpen raakt zoals stenen en wortels. Hierdoor kan het mes beschadigen en de motoras verbuigen. Een gebogen as veroorzaakt zware trillingen en een zeer groot risico dat het mes losraakt.
- Stop het product onmiddellijk als het mes een voorwerp wordt geraakt of als zich trillingen voordoen. Ontkoppel de ontstekingskabel van de bougie. Controleer het product op schade. Repareer schade of laat een erkende servicewerkplaats de reparatie uitvoeren.
- Bevestig de motorremhendel nooit permanent aan de handgreep wanneer de motor wordt gestart.
- Plaats het product op een stabiele, vlakke ondergrond en start het. Zorg ervoor dat het mes niet in aanraking komt met de grond of andere voorwerpen.

Veiligheidsinstructies voor bediening

Persoonlijke beschermingsuitrusting



WAARSCHUWING: Lees de volgende waarschuwingen voordat u het product gaat gebruiken.

- Persoonlijke beschermingsuitrusting kunnen niet alle risico's uitsluiten maar kunnen de ernst van eventueel letsel helpen beperken. Vraag uw dealer u te helpen bij het kiezen van de juiste beschermingsmiddelen.
- Gebruik gehoorbescherming als het geluidsniveau hoger is dan 85 dB.
- Gebruik zware antisliplaarzen of -schoenen. Draag geen open schoenen en loop niet op blote voeten.
- Draag een lange broek van stevige stof.
- Draag zo nodig beschermende handschoenen, bijvoorbeeld bij het monteren, inspecteren of reinigen van de snijuitrusting.

Veiligheidsvoorzieningen op het product



WAARSCHUWING: Lees de volgende waarschuwingen voordat u het product gaat gebruiken.

- Gebruik het product nooit wanneer de veiligheidsvoorzieningen defect zijn.
- Controleer de veiligheidsvoorzieningen regelmatig op een juiste werking. Als de veiligheidsvoorzieningen defect zijn, neem dan contact op met uw Husqvarna servicewerkplaats.

De kap van het maaidek controleren

De kap van het maaidek vermindert trillingen in het product en vermindert het risico op letsel door het mes.

- Controleer de kap van het maaidek om te zien of er geen schade is, zoals barsten.

De remhendel van de motor controleren

De motorrem schakelt de motor uit. Als de remhendel van de motor wordt losgelaten, stopt de motor.

- Start de motor en laat vervolgens de remhendel van de motor los. Als de motor niet binnen 3 seconden stopt, laat u een erkende Husqvarna servicewerkplaats de motorrem afstellen. (Fig. 15)

Geluidemper

De uitlaatdemper is bedoeld om het geluidsniveau zo laag mogelijk te houden en om de uitlaatgassen weg te voeren van de gebruiker.

Gebruik het product niet als de demper ontbreekt of beschadigd is. Bij een defecte uitlaatdemper stijgt het geluidsniveau en neemt het risico op brand toe.



WAARSCHUWING: De uitlaatdemper wordt erg heet tijdens en na gebruik en wanneer de motor draait bij stationair toerental. Wees voorzichtig in de buurt van brandbare materialen en/of dampen om brand te voorkomen.

Brandstofveiligheid



WAARSCHUWING: Lees de volgende waarschuwingen voordat u het product gaat gebruiken.

- Start het product niet als er brandstof of motorolie op het product aanwezig is. Verwijder de ongewenste brandstof/olie en laat het product drogen.
- Als u brandstof op uw kleding morst, trek dan direct andere kleding aan.
- Zorg dat er geen brandstof op uw lichaam terecht komt, dit kan letsel veroorzaken. Als er brandstof op uw lichaam terecht komt, verwijder deze dan met water en zeep.
- Start het product niet als er sprake is van een motorlekkage. Controleer de motor regelmatig op lekkage.
- Wees voorzichtig met brandstof. Brandstof is licht ontvlambaar en de dampen zijn explosief. Ze kunnen letsel veroorzaken of leiden tot de dood.
- Adem geen brandstofdampen in, dit kan letsel veroorzaken. Zorg voor voldoende ventilatie.
- Rook niet in de buurt van de brandstof of de motor.

- Plaats geen warme voorwerpen in de buurt van de brandstof of de motor.
- Vul geen brandstof bij terwijl de motor is ingeschakeld.
- Zorg ervoor dat de motor koud is wanneer u brandstof bijvult.
- Draai de tankdop langzaam open en laat de druk voorzichtig ontsnappen voordat u brandstof bijvult.
- Vul geen brandstof voor de motor bij in een afgesloten ruimte. Onvoldoende ventilatie kan leiden tot ernstig letsel of de dood door verstikking of het inademen van koolmonoxide.
- Draai de tankdop volledig aan. Als de tankdop niet volledig is aangedraaid, bestaat een risico op brand.
- Verplaats het product minstens 3 m van de plaats waar u de brandstoftank hebt gevuld, voordat u het product start.
- Vul de brandstoftank niet volledig. Door hitte zet de brandstof uit. Zorg ervoor dat er ruimte overblijft aan de bovenkant van de brandstoftank.

Veiligheidsinstructies voor onderhoud



WAARSCHUWING: Lees de volgende waarschuwingen voordat u het product gaat gebruiken.

- Uitlaatgassen van de motor bevatten koolmonoxide, een geurloos, giftig en uiterst gevaarlijk gas. Start de motor nooit binnenshuis of in gesloten ruimten.
- Voordat u het onderhoud van het product uitvoert, zet u de motor uit en verwijdert u de ontstekingskabel van de bougie.
- Draag beschermende handschoenen wanneer u onderhoud aan de snijuitrusting uitvoert. Het mes is zeer scherp en kan gemakkelijk snijwonden veroorzaken.
- Accessoires en wijzigingen aan het product die niet zijn goedgekeurd door de fabrikant, kunnen leiden tot ernstig letsel of overlijden. Breng geen wijzigingen aan het product aan. Gebruik alleen accessoires die zijn goedgekeurd door de fabrikant.
- Als het onderhoud niet correct en regelmatig wordt uitgevoerd, neemt de kans op letsel of schade aan het product toe.
- Voer alleen onderhoud uit zoals beschreven in deze gebruikershandleiding. Alle overige onderhoudswerkzaamheden moeten worden uitgevoerd door een erkende Husqvarna servicewerkplaats.
- Laat een erkende Husqvarna servicewerkplaats regelmatig onderhoud aan het product uitvoeren.
- Vervang beschadigde, versleten of defecte onderdelen.

Montage

Hendel monteren

1. Duw de schroef (A) door de handgreep (B), de kunststof ring (C) en de steunbeugel van de handgreep (D). (Fig. 16)
2. Draai de moer (E) volledig vast.
3. Duw de schroef (F) door de ring (G) en de steunbeugel van de handgreep.
4. Draai de knop (H) volledig vast.
5. Lijn de gaten in de handgreep uit met de openingen in de onderste hendel en breng de schroeven, sluitringen en knoppen aan. Draai de knoppen volledig vast. (Fig. 17)
6. Bevestig de kabels aan de handgreep met behulp van de kabelhouders. (Fig. 18)

Let op: Zorg ervoor dat de kabels niet te strak gespannen staan. Een kabel die te strak gespannen staat, kan beschadigd raken als de handgreep in de transportstand wordt geklapt.

7. Leid de kabels om de haak onder aan de handgreep. (Fig. 19)

Hoogte van de hendel afstellen

1. Draai de onderste knoppen los. (Fig. 20)
2. Verwijder de knop, de ring en de schroef aan de linker- en rechterkant.
3. De handgreep kan op 2 verschillende hoogten worden ingesteld. Plaats de schroef in één van de 2 gaten aan de linker- en rechterkant. (Fig. 21)
4. Breng de schroeven, sluitringen en knoppen aan.
5. Beweeg de knoppen omhoog naar de handgreep tot de aanslag en u een klik hoort. Draai de knoppen volledig vast. (Fig. 22)

Product in de transportstand zetten

1. Verwijder de grasopvangbak.
2. Draai de knoppen van de bovenste handgreep los en klap de handgreep omlaag. (Fig. 23)
3. Draai de onderste knoppen los.
4. Beweeg de knoppen naar het onderste uiteinde van de sleuven aan de linker- en rechterzijde van het product. (Fig. 24)
5. Klap de hendel naar voren. (Fig. 25)

Product in de werkstand zetten

1. Til de handgreep omhoog totdat de onderste handgreep in de werkstand wordt vergrendeld. (Fig. 26)
2. Beweeg de knoppen omhoog naar de handgreep tot de aanslag en u een klik hoort.
3. Draai de knoppen volledig vast. (Fig. 27)
4. Til het bovenste deel van de handgreep omhoog.
5. Draai de knoppen volledig vast. (Fig. 28)

Grasopvangbak monteren

1. Bevestig het bovenste deel van de grasopvangbak aan het onderste deel van de grasopvangbak. (Fig. 29)
2. Bevestig het frame van de grasopvangbak met de klemmen. (Fig. 30)
3. Til de achterklep op.
4. Bevestig de haken op de grasopvangbak aan de bovenrand van het chassis. (Fig. 31)
5. Plaats het onderste deel van de grasopvangbak in het grasuitwerpkanaal.

Werking

Inleiding



WAARSCHUWING: Voordat u het product gaat gebruiken, dient u het hoofdstuk over veiligheid te lezen en hebben begrepen.

Husqvarna Connect

Husqvarna Connect is een gratis app voor uw mobiele apparaat. De Husqvarna Connect-app biedt uitgebreide functies voor uw Husqvarna-product:

- Uitgebreide productinformatie.
- Informatie over, en hulp bij, onderdelen en onderhoud van uw product.

Husqvarna Connect gebruiken

1. Download de Husqvarna Connect-app op uw mobiele apparaat.
2. Registreer in de Husqvarna Connect-app.
3. Volg de instructies in de Husqvarna Connect-app om verbinding te maken met het product en dit te registreren.

Voordat u het product gaat bedienen

1. Lees de gebruikershandleiding zorgvuldig door en zorg dat u de instructies hebt begrepen.
2. Controleer de snijuitrusting om te zien of deze correct is gemonteerd en afgesteld. Zie *Snijuitrusting controleren op pagina 220*.

3. Vul de brandstoftank. Zie *Brandstof bijvullen op pagina 218*.
4. Vul de olietank en controleer het oliepeil. Zie *Oliepeil controleren op pagina 220*.

Brandstof bijvullen

Gebruik, indien beschikbaar, benzine met een lage emissiegraad/alkylaatbrandstof. Als er geen emissiearme benzine of alkylaatbrandstof beschikbaar is, gebruik dan een loodvrije benzine van goede kwaliteit, of loodhoudende benzine met een octaangetal dat niet lager is dan 91.



OPGELET: Gebruik geen benzine met een octaangetal lager dan 91 RON. Dit kan schade aan het product veroorzaken.



OPGELET: Vervang het brandstoffilter jaarlijks of vaker, indien nodig. Een nieuw brandstoffilter is verkrijgbaar bij uw Husqvarna-dealer.



OPGELET: Schakel de motor altijd uit voordat u brandstof bijvult.



OPGELET: Gebruik geen startvloeistoffen onder druk.

1. Draai de brandstoftankdop langzaam los om de druk te laten ontsnappen.
2. Vul langzaam met een benzinejerrycan. Als u brandstof morst, verwijder deze dan met een doek en laat de resterende brandstof opdrogen. (Fig. 32)
3. Maak het gebied rondom de brandstoftankdop goed schoon.
4. Draai de tankdop volledig aan. Als de tankdop niet volledig is aangedraaid, bestaat een risico op brand.
5. Verplaats het product minstens 3 m van de plaats waar u de brandstoftank hebt gevuld, voordat u het product start.

Maaihoogte afstellen

1. Breng de maaihoogtehendel naar achteren om de maaihoogte te vergroten.
2. Breng de maaihoogtehendel naar voren om de maaihoogte te verkleinen. (Fig. 33)



OPGELET: Stel de maaihoogte niet te laag in. Als het oppervlak van het gazon niet

waterpas is, kunnen de messen de grond raken.

Product starten

1. Controleer of de ontstekingskabel is verbonden met de bougie.
2. Blijf achter het product.
3. Houd de motorremhendel tegen de handgreep. (Fig. 34)
4. Houd het startkoord in uw rechterhand.
5. Trek het startkoord langzaam naar buiten totdat u enige weerstand voelt.
6. Krachtig trekken om de motor te starten.



WAARSCHUWING: Wikkel het startkoord niet rond uw hand.

De aandrijving op de wielen gebruiken

- Druk de aandrijfhendel in de richting van de handgreep. (Fig. 35)
- Laat de aandrijfhendel los om de aandrijving uit te schakelen, bijvoorbeeld wanneer u bij een obstakel komt.
- Voordat u het product naar achteren trekt, moet u de aandrijving uitschakelen en het product ongeveer 10 cm naar voren duwen.

Product stoppen

- Als u de alleen de aandrijving wilt stoppen, laat u de aandrijfhendel los.
- Als u de motor wilt stoppen, laat u de motorremhendel los.

Een goed resultaat verkrijgen

- Gebruik altijd een scherp mes. Een bot mes geeft een onregelmatig resultaat en het snijvlak van het gras wordt geel. Een scherp mes verbruikt ook minder energie dan een bot mes.
- Maai nooit meer dan 1/3e van de lengte van het gras af. Maai eerst met een hoog ingestelde maaihoogte. Controleer het resultaat en verlaag de snijhoogte tot een geschikt niveau. Als het gras echt lang is, rijd dan langzaam en maai zo nodig 2 keer.
- Maai elke keer in een andere richting, om het ontstaan van strepen in het gazon te voorkomen.

Onderhoud

Inleiding



WAARSCHUWING: Voordat u onderhoud gaat uitvoeren, dient u het hoofdstuk over veiligheid te lezen en hebben begrepen.

Voor alle onderhouds- en reparatiewerkzaamheden aan het product is speciale training nodig. Wij garanderen de beschikbaarheid van professionele reparaties en onderhoud. Indien uw dealer geen servicewerkplaats heeft, vraag hem dan naar de dichtstbijzijnde servicewerkplaats.

De onderhoudsintervallen worden berekend op basis van het dagelijks gebruik van het product. De intervallen veranderen als het product niet dagelijks wordt gebruikt.

Voor onderhoud dat is gemarkeerd met *: zie de instructies in *Veiligheidsvoorzieningen op het product op pagina 215*.

Onderhoudsschema



OPGELET: Zorg ervoor dat het luchtfilter aan de bovenkant zit en de grond niet raakt wanneer u het product kantelt. Risico van schade aan de motor.

| Onderhoud | Elke dag | Maandelijks | Elk seizoen |
|---|----------|-------------|-------------|
| Algemene inspectie uitvoeren | X | | |
| Motoroliepeil controleren | X | | |
| De olie verversen (de eerste keer na 5 uur gebruik, vervolgens na elke 50 uur gebruik) ¹¹³ | | | X |
| Product reinigen | X | | |
| Snijuitrusting controleren | X | | |
| Kap van het maaidek controleren * | X | | |
| Motorremhendel controleren * | X | | |
| Geluiddemper controleren * | | X | |
| Controleer de bougie. Reinig of vervang de bougie indien nodig | | | X |
| Luchtfilter controleren | X | | |
| Luchtfilter reinigen ¹¹⁴ | | X | |
| Vervang het luchtfilter | | | X |
| Brandstofsysteem controleren | | | X |
| Reinig de koelvinnen op de cilinder | | X | |
| Controleer de koppelingskabel en stel deze af (LC 140SP) | | | X |

¹¹³ Als het product wordt gebruikt onder zware belasting of bij hoge omgevingstemperaturen, moet de motorolie om de 25 uur worden verversd.

¹¹⁴ Reinig vaker onder stoffige omstandigheden of wanneer er vuil in de lucht aanwezig is. Vervang het luchtfilter als het erg vuil is.

Algemene inspectie uitvoeren

- Controleer of alle moeren en schroeven op het product goed zijn vastgedraaid.

Product aan de buitenkant reinigen

- Gebruik een borstel om bladeren, gras en vuil te verwijderen.
- Zorg dat de luchtinlaat op de bovenkant van de motor niet is geblokkeerd.
- Reinig het product niet met een hogedrukspuit.
- Als u water gebruikt om het product te reinigen, spuit dan geen water rechtstreeks op de motor.

Binnenoppervlak van de kap van het maaidek reinigen

1. Leeg de brandstoftank.
2. Kantel het product. Zorg ervoor dat de bougie omhoog wijst.



OPGELET: Als het product met het luchtfilter naar beneden wordt geplaatst, kan de motor beschadigd raken.

3. Spuit de binnenkant van het maaidek schoon met water.

Snijuitrusting controleren



WAARSCHUWING: Verwijder de ontstekingskabel van de bougie om te voorkomen dat de motor per ongeluk wordt gestart.



WAARSCHUWING: Draag beschermende handschoenen wanneer u onderhoud aan de snijuitrusting uitvoert. Het mes is zeer scherp en kan gemakkelijk snijwonden veroorzaken.

1. Controleer de snijuitrusting op beschadiging of scheuren. Vervang beschadigde snijuitrusting altijd.
2. Kijk naar het mes om te zien of dit is beschadigd of bot is.

Let op: Het mes moet na het slijpen worden gebalanceerd. Laat het slijpen, vervangen en balanceren door een servicecentrum uitvoeren. Als u een obstakel raakt waardoor het product stopt, vervang dan het beschadigde mes. Laat het servicecentrum beoordelen of het mes kan worden geslepen of moet worden vervangen.

Mes vervangen

1. Zet het mes vast met een houten blok. (Fig. 36)
2. Verwijder de mesbout.
3. Verwijder het mes.

4. Controleer de messteun en de mesbout om te zien of er schade is.
5. Controleer de motoras om te controleren of deze niet is verbogen.
6. Wanneer u het nieuwe mes bevestigt, richt dan de gebogen uiteinden van het mes naar de kap van het maaidek. (Fig. 37)
7. Controleer of het mes is uitgelijnd met het midden van de motoras.
8. Zet het mes vast met een houten blok. Bevestig de veerring en draai de bout en ring vast met een aanhaalmoment van 20 Nm.45–60 (Fig. 38)
9. Draai het mes met de hand rond en controleer of het vrij draait.



WAARSCHUWING: Draag handschoenen van dikke stof. Het mes is zeer scherp en kan gemakkelijk snijwonden veroorzaken.

10. Start het product om het mes te testen. Als het mes niet goed is bevestigd, zijn er trillingen in het product of is het maairesultaat niet goed.

Oliepeil controleren



OPGELET: Een te laag oliepeil kan ernstige schade aan de motor veroorzaken. Voer een controle van het oliepeil uit voordat u het product start.

1. Zet het product op een vlakke ondergrond.
2. Verwijder de olietankdop met de bijgevoegde peilstok.
3. Veeg de olie van de peilstok.
4. Steek de peilstok volledig in de olietank om een goed beeld van het oliepeil te krijgen.
5. Verwijder de peilstok.
6. Controleer het oliepeil op de peilstok.
7. Als het oliepeil laag is, vult u bij met motorolie en controleert u het oliepeil opnieuw.

Let op: Gebruik een trechter om morsen te voorkomen.

De motorolie verversen



WAARSCHUWING: Motorolie is nog erg heet direct nadat de motor is uitgezet. Laat de motor afkoelen voordat u de motorolie aftapt. Als u motorolie morst op uw huid, was die dan af met water en zeep.

(Fig. 39)

Let op: Gebruik viertaktmotorolie. Zorg ervoor dat u de juiste viscositeit voor de omgevingstemperatuur gebruikt.

1. Gebruik het product totdat de brandstoftank leeg is.
2. Verwijder de ontstekingskabel van de bougie.
3. Verwijder de olietankdop.
4. Tap de motorolie af uit de olietank met een oliepomp (accessoire).
5. Vul bij met nieuwe motorolie van het type dat wordt aanbevolen in *Technische gegevens op pagina 223*.
6. Controleer het oliepeil. Zie *Oliepeil controleren op pagina 220*.

Kunststof schuimfilter reinigen

1. Verwijder het luchtfilterdeksel en verwijder het kunststof schuimfilter.
2. Reinig het kunststof schuimfilter met water en zeep.
3. Spoel het kunststof schuimfilter af in schoon water.
4. Knijp het water uit het kunststof schuimfilter en laat het drogen.



OPGELET: Gebruik geen perslucht. Dit kan het kunststof schuimfilter beschadigen.

5. Smeer het kunststof schuimfilter met motorolie.
6. Duw een schone doek tegen het kunststof schuimfilter om overtollige olie te verwijderen.
7. Zet het luchtfilter terug. Controleer of het luchtfilter de luchtfilterhouder volledig afsluit.
8. Zet het luchtfilterdeksel terug.

Bougie controleren



OPGELET: Gebruik altijd het juiste bougietype. Een verkeerd type bougie kan schade aan het product veroorzaken.

- Controleer de bougie als de motor weinig vermogen heeft, niet gemakkelijk te starten is of stationair niet goed draait.
- Volg deze instructies om het risico van ongewenst materiaal op de elektroden van de bougie te beperken:

- a) Zorg ervoor dat het stationair toerental altijd juist is afgesteld.
 - b) Zorg dat het brandstofmengsel correct is.
 - c) Zorg dat het luchtfilter schoon is.
- Maak de bougie schoon als deze vuil is en controleer of de afstand tussen de elektroden correct is, zie *Technische gegevens op pagina 223*. (Fig. 40)
 - Vervang de bougie indien nodig.

Brandstofsysteem controleren

- Controleer de brandstoftankdop en de afdichting van de brandstoftankdop om te zien of er geen schade is.
- Controleer de brandstofslang om te controleren of er geen lekken zijn. Als de brandstofslang beschadigd is, laat deze dan door een servicemonteur vervangen.

De koppelingskabel afstellen (LC 140SP)

In de volgende situaties moet de koppelingskabel worden ingekort:

- De aandrijving van de wielen wordt niet ingeschakeld wanneer u aan de aandrijfhendel of de snelheidsregelhendel trekt.
- Het product beweegt langzaam wanneer de aandrijving van de wielen is ingeschakeld.

In de volgende situaties moet de koppelingskabel worden verlengd:

- Het product beweegt wanneer de aandrijving van de wielen niet is ingeschakeld.
- Stel de koppelingskabel af.
 - a) Om de koppelingskabel in te korten, draait u de stelschroef linksom.
 - b) Om de koppelingskabel te verlengen, draait u de stelschroef rechtsom. (Fig. 41)

Neem contact op met uw servicedealer als het product na afstelling nog steeds niet naar tevredenheid rijdt

Storingzoeken in de motor

| Probleem | Mogelijke oorzaak | Oplossing |
|---|--|--|
| De motor start niet. | De ontstekingskabel is niet correct aangesloten. | Sluit de ontstekingskabel aan op de bougie. |
| | De brandstoftank is leeg. | Vul de brandstoftank met het juiste type brandstof. |
| | De brandstof is oud. | Tap de brandstoftank en de carburateur af. Vul bij met nieuwe benzine. |
| | Vuil in de carburateur of brandstofleiding. | Reinig de carburateur en/of brandstofleiding. |
| | De bougie is defect. | Pas de elektrodenafstand aan of reinig of vervang de bougie. |
| | Er zit brandstof op de bougie. | Reinig de bougie. |
| De motor stopt niet. | Het stopmechanisme is defect. | Ontkoppel de ontstekingskabel van de bougie. Laat onderhoud aan het product uitvoeren door een erkende servicewerkplaats. |
| De motor loopt niet gelijkmatig. | De ontstekingskabel is niet correct aangesloten. | Sluit de ontstekingskabel aan op de bougie. |
| | De brandstofleiding is verontreinigd of de brandstof is verouderd. | Maak de brandstoftank schoon. Vul de brandstoftank met nieuwe brandstof van het juiste type. |
| | De brandstoftankdop is verstopt. | Reinig de brandstoftankdop. |
| | Er is water of vuil in het brandstofsysteem. | Tap de brandstoftank af. Vul de brandstoftank met nieuwe brandstof van het juiste type. |
| | Het luchtfilter is vuil. | Maak het luchtfilter schoon. |
| | De carburateur moet worden afgesteld. | Laat de carburateur afstellen door een servicedealer. |
| De motor wordt te heet. | Het motoroliepeil is te laag. | Vul motorolie bij. |
| | De luchtstroom is onvoldoende. | Reinig het luchtfilter en het luchtfilterhuis. |
| | De carburateur moet worden afgesteld. | Laat de carburateur afstellen door een servicedealer. |
| De motor slaat over wanneer deze op hoge snelheid draait. | De elektrodenafstand van de bougie is te klein. | Stel de elektrodenafstand af. |
| Ongewone geluiden van de motor tijdens normale belasting. | Verkeerd type benzine. | Tap de brandstoftank en de carburateur af. Vul bij met nieuwe benzine. Zie <i>Brandstof bijvullen op pagina 218</i> . Indien het probleem zich blijft voordoen, neem dan contact op met uw plaatselijke servicedealer. |

| Probleem | Mogelijke oorzaak | Oplossing |
|---|--|--|
| De motor draait niet soepel bij stationair toerental. | De bougie is vervuild, defect of de elektrodenafstand is te groot. | Pas de elektrodenafstand aan of vervang de bougie. |
| | De carburateur moet worden afgesteld. | Stel de carburateur af. |
| | Het luchtfilter is vuil. | Maak het luchtfilter schoon. |

Vervoer, opslag en verwerking

Transport en opslag

- Controleer voor opslag en vervoer van het product en de brandstof of er geen lekken of dampen zijn. Vonken of open vuur, bijvoorbeeld van elektrische apparaten of ketels, kunnen tot brand leiden.
- Gebruik altijd goedgekeurde containers voor opslag en transport van brandstof.
- Leeg de brandstoftank voordat u het product voor langere tijd opslaat. De brandstof via een geschikte verwijderingslocatie afvoeren
- Zet het product tijdens het vervoer veilig vast om schade en ongevallen te voorkomen.
- Bewaar het product in een afgesloten ruimte om toegang door kinderen of onbevoegde personen te verhinderen.

- Bewaar het product in een droge en vorstvrije ruimte.

Afvoeren

- Neem de plaatselijk geldende wet- en regelgeving voor recycling in acht.
- Voer alle chemicaliën, zoals olie of brandstof, af via een servicecentrum of een geschikte verwijderingslocatie.
- Wanneer het product niet langer in gebruik is, stuur het dan naar een Husqvarna dealer of voer het af via een recyclingslocatie.

Technische gegevens

Technische gegevens

| | LC 140P | LC 140SP |
|---|--|--|
| Motor | | |
| Merk | Husqvarna | Husqvarna |
| Modelnaam motor | HS 123A | HS 123A |
| Motortype | Enkelvoudige cilinder, 4-takt, geforceerde luchtkoeling, bovenliggende kleppen | Enkelvoudige cilinder, 4-takt, geforceerde luchtkoeling, bovenliggende kleppen |
| Cilinderinhoud, cm ³ | 123 | 123 |
| Toerental, tpm | 3000 | 3000 |
| Nominaal motorvermogen, kW ¹¹⁵ | 1,95 | 1,95 |
| Ontstekingsstelsel | | |

¹¹⁵ Het aangegeven nominale vermogen van de motor heeft betrekking op het gemiddelde nettovermogen (bij het opgegeven toerental) van een typische productiemotor voor het betreffende motormodel, gemeten volgens de SAE-norm J1349/ISO1585. In massa geproduceerde motoren kunnen een afwijkende waarde geven. Het werkelijk geleverde vermogen van de geïnstalleerde motor in het product hangt af van de bedrijfssnelheid, de omgevingscondities en andere waarden.

| | LC 140P | LC 140SP |
|--|------------------------|------------------------|
| Bougie | Husqvarna HQT-7 | Husqvarna HQT-7 |
| Elektrodenafstand, mm | 0,7-0,8 | 0,7-0,8 |
| Brandstof-/smeersysteem | | |
| Type motorsmeermiddel | Spatten | Spatten |
| Inhoud brandstoftank, liter | 0,9 | 0,9 |
| Inhoud olietank, liter | 0,5 | 0,5 |
| Motorolie ¹¹⁶ | Husqvarna SAE 30 | Husqvarna SAE 30 |
| Gewicht | | |
| Met lege tanks, kg | 25,2 | 26,8 |
| Geluidsemissies¹¹⁷ | | |
| Geluidsvermogeniveau, gemeten dB(A) | 93 | 93 |
| Geluidsvermogensniveau, gegarandeerd, L _{WA} dB (A) | 95 | 95 |
| Geluidsniveau¹¹⁸ | | |
| Geluidsdrukniveau bij het oor van de gebruiker, dB(A) | 81 | 81 |
| Trillingsniveau¹¹⁹ | | |
| Trillingsniveau handgreep, m/s ² | 5,6 | 7,6 |
| Snijtrusting | | |
| Maaihoogte, mm | 25-75 | 25-75 |
| Maaibreedte, mm | 400 | 400 |
| Maaisysteem | Opvang / achteruitworp | Opvang / achteruitworp |
| Messen - standaard | Opvang 5873863-10 | Opvang 5873863-10 |
| Capaciteit grasopvangbak, liter | 50 | 50 |
| Rijden | | |
| Loopsnelheid, km/h | - | 4 |

¹¹⁶ Als SAE-30 olie wordt gebruikt bij temperaturen lager dan +5 °C bestaat het risico dat de motor niet voldoende wordt gesmeerd. Dit kan leiden tot schade aan de motor. Zie *De motorolie verversen op pagina 220* voor de juiste olie voor lage temperaturen.

¹¹⁷ Geluidsemissie naar de omgeving gemeten als geluidsvermogen (L_{WA}) volgens EG-richtlijn 2000/14/EG.

¹¹⁸ De gerapporteerde gegevens voor het geluidsdrukniveau vertonen een typische statistische spreiding (standaardafwijking) van 1,2 dB (A).

¹¹⁹ De gerapporteerde gegevens voor een trillingsniveau vertonen een typische statistische spreiding (standaardafwijking) van 0,2 m/s².

EG verklaring van overeenstemming

EG verklaring van overeenstemming

Husqvarna AB, SE-561 82 Huskvarna, Zweden, tel.:

+46-36-146500, verklaart dat de **gazonmaaier**

Husqvarna LC 140P, LC 140SP van het jaar 2020 en nieuwer, voldoet aan de voorschriften van de RICHTLIJN VAN DE RAAD:

- van 8 juni 2011 over de "beperking van het gebruik van bepaalde gevaarlijke stoffen" **2011/65/EU**
- van 17 mei 2006 "met betrekking tot machines" **2006/42/EG**
- van 26 februari 2014 "met betrekking tot elektromagnetische compatibiliteit" **2014/30/EU**
- van 8 mei 2000 "met betrekking tot geluidsemissies in het milieu" **2000/14/EG**

Zie Technische gegevens voor informatie over geluidsemissies.

De volgende normen zijn van toepassing:

EN ISO 5395-1:2013, EN ISO 5395-1:2013/A1, EN ISO 5395-2:2013, EN ISO 5395-2:2013/A1:2016, EN ISO 5395-2:2013/A2:2017, EN ISO 14982:2009

Tenzij anders vermeld, betreft het de meest recente versies van de hierboven genoemde normen.

Aangemelde instantie: **0036, TÜV SÜD Industrie Service GmbH, Westendstrasse 199, 80686 München, Germany** heeft de overeenstemming beoordeeld volgens bijlage VI van richtlijn 2000/14/EG.

Huskvarna, 2020-10-20



Claes Losdal, Development Manager/Garden Products
(gemachtigde vertegenwoordiger voor Husqvarna AB en verantwoordelijk voor technische documentatie.)

INNHold

| | | | |
|------------------|-----|--|-----|
| Innledning..... | 226 | Feilsøking på motoren..... | 234 |
| Sikkerhet..... | 227 | Transport, oppbevaring og avhending..... | 235 |
| Montering..... | 229 | Tekniske data..... | 235 |
| Drift..... | 230 | EF-samsvarserklæring..... | 237 |
| Vedlikehold..... | 231 | | |

Innledning

Produktbeskrivelse

Produktet er en roterende skyvegressklipper. Gresset samles i oppsamleren. Ta av oppsamleren for å få bakutkast for gress.

Produktoversikt

(Fig. 1)

1. Håndtak/styrestang
2. Sikkerhetsbøyle (LC 140SP)
3. Startsnorhåndtak
4. Oppsamler
5. Drivstofftank
6. Luffilter
7. Tennplugg
8. Klippedeksel
9. Lyddemper
10. Oljetanklokk
11. Spak for regulering av klipp høyde
12. Bakdeksel
13. Motorbremsehåndtak
14. Symboler
15. Nedre håndtaksenhet
16. Nedre håndtak
17. Bruksanvisning
18. Oljetrakt

Symboler på produktet

- (Fig. 2) **ADVARSEL!** Vær forsiktig, og bruk produktet riktig. Dette produktet kan føre til alvorlig personskade eller død for operatøren eller andre.
- (Fig. 3) Les nøye gjennom bruksanvisningen og sørg for at du har forstått instruksjonene før bruk.
- (Fig. 4) Se opp for gjenstander som slynges ut og rikosjetterer.
- (Fig. 5) Hold personer og dyr på trygg avstand fra arbeidsområdet.

Bruksområder

Bruk produktet til å klippe gress. Ikke bruk produktet til andre oppgaver.

- (Fig. 6) **Advarsel:** Hold hender og føtter borte fra den roterende kniven.
- (Fig. 7) **Advarsel:** Hold hender og føtter borte fra bevegelige deler.
- (Fig. 8) Stopp motoren og fjern tenningskabelen før det utføres reparasjoner eller vedlikehold.
- (Fig. 9) Dette produktet er i overensstemmelse med gjeldende EU-direktiver.
- (Fig. 10) Støyutslipp til omgivelsene ifølge EFs direktiv. Produktutslippene angis i kapittelet Tekniske data og på klistremerket.
- (Fig. 11) Brannfare.
- (Fig. 12) Unngå å puste inn avgasser. Eksosen fra motoren inneholder karbonmonoksid, en luktfri, giftig og svært farlig gass. Ikke start motoren innendørs eller i lukkede rom.
- (Fig. 13) Varm overflate.
- (Fig. 14) Fyll motoren med olje før du starter produktet.

Merk: Øvrige symboler/klistremerker angitt på produktet gjelder sertifiseringskrav for enkelte markeder.

Euro V-utslipp



ADVARSEL: Tukling med motoren opphever EU-type-godkjenningen til dette produktet.

Produktansvar

Som nevnt i lovverket om produktansvar er vi ikke ansvarlig for skader som produktet vårt forårsaker, i følgende tilfeller:

- Produktet er reparert på feil måte.
- Produktet er reparert med deler som ikke kommer fra produsenten eller som ikke er godkjent av produsenten.

- Produktet har et tilbehør som ikke kommer fra produsenten eller som ikke er godkjent av produsenten.
- Produktet er ikke reparert på et godkjent servicesenter eller av en godkjent aktør.

Sikkerhet

Sikkerhetsdefinisjoner

Advarsler, oppfordringer og merknader brukes for å understreke spesielt viktige deler av bruksanvisningen.



ADVARSEL: Brukes hvis det er fare for personskade eller død for brukeren eller andre personer om instruksjonene i håndboken ikke følges.



OBS: Brukes hvis det er fare for skade på produktet, annet materiell eller nærliggende områder om instruksjonene i håndboken ikke følges.

Merk: Brukes for å gi mer nødvendig informasjon for en spesifikk situasjon.

Generelle sikkerhetsinstruksjoner



ADVARSEL: Les de følgende advarselinstruksjonene før du bruker produktet.

- Dette produktet er farlig hvis det brukes feil, eller hvis du ikke er forsiktig. Personskade eller død kan forekomme hvis du ikke følger sikkerhetsinstruksjonene.
- Dette produktet danner et elektromagnetisk felt når det er i bruk. Dette feltet kan under visse forhold forstyrre aktive eller passive medisinske implantater. For å redusere faren for hendelser som kan føre til alvorlig eller livstruende skade, anbefaler vi at personer med medisinske implantater rådfører seg med lege og produsenten av det medisinske implantatet før dette produktet tas i bruk.
- Vær alltid forsiktig og bruk sunn fornuft. Hvis du ikke er sikker på hvordan du skal bruke produktet i en bestemt situasjon, må du stoppe og snakke med Husqvarna-forhandleren før du fortsetter.
- Husk at brukeren er ansvarlig for ulykker som involverer andre personer eller deres eiendom.
- Hold produktet rent. Sørg for at du kan lese skilt og merker.

- Ikke la en person bruke produktet med mindre du forsikrer deg om at de har lest og forstått innholdet i bruksanvisningen.
- Ikke la barn bruke produktet.
- Hold barn borte fra arbeidsområdet. En ansvarlig voksen må alltid være til stede.
- Ikke la en person bruke produktet uten kunnskap om instruksjonene.
- Overvåk alltid personer med redusert fysisk eller mental kapasitet når de bruker produktet. En ansvarlig voksen må alltid være til stede.
- Ikke bruk produktet dersom du er trett eller syk eller under påvirkning av alkohol, andre rusmidler eller medisiner. Disse tingene har en negativ effekt på synet, vurderingsevnen og dømmekraften din.
- Ikke bruk produktet hvis det er defekt.
- Ikke modifier dette produktet, og ikke bruk det dersom det er mulig at andre har modifisert det.
- Ikke endre justeringen for turtallsreguleringen.

Sikkerhet i arbeidsområdet



ADVARSEL: Les de følgende advarslene før du bruker produktet.

- Fjern gjenstander som greiner, kvister og steiner fra området før du bruker produktet.
- Gjenstander som treffer skjærestyret, kan slynges ut og forårsake skade på personer og gjenstander. Hold tilskuere og dyr på trygg avstand fra produktet.
- Bruk aldri produktet i dårlig vær, for eksempel i tåke, regn, sterk vind, sterk kulde, eller ved fare for lyn. Det er slitsomt å bruke produktet i dårlig vær eller på fuktige eller våte steder. Dårlig vær kan forårsake farlige forhold, for eksempel glatt underlag.
- Hold utkikk etter personer, objekter og situasjoner som kan forhindre sikker bruk av produktet.
- Se etter hindringer, for eksempel røtter, steiner, kvister, fordypninger og grøfter. Høyt gress kan skjule hindringer.
- Det kan være farlig å klippe gress i skråninger. Ikke bruk produktet i skråninger som heller mer enn 15 grader.
- Bruk produktet på tvers av skråninger. Ikke gå opp og ned.

- Vær forsiktig når du nærmer deg skjulte hjørner eller gjenstander som blokkerer sikten.

Arbeidssikkerhet



ADVARSEL: Les de følgende advarslene før du bruker produktet.

- Bruk dette produktet bare til å klippe gressplener. Det er ikke tillatt å bruke det til andre formål.
- Bruk personlig verneutstyr. Se *Personlig verneutstyr på side 228*.
- Sørg for at du vet hvordan du stopper motoren raskt i en nødsituasjon.
- Start aldri motoren i et lukket rom eller i nærheten av brennbart materiale. Motorens avgasser er varme og kan inneholde gnister som kan forårsake brann.
- Ikke bruk produktet med mindre kniven og alle deksler er riktig montert. En kniv som er feilmontert, kan løsne og forårsake personskade.
- Pass på at kniven ikke kommer borti gjenstander som steiner og røtter. Dette kan gjøre skade på kniven og bøye motorakselen. En bøyd aksel kan forårsake mye vibrasjon og utgjør en svært høy fare for at kniven blir løs.
- Hvis kniven treffer en gjenstand eller det oppstår kraftige vibrasjoner, må produktet stanses øyeblikkelig. Koble tenningskabelen fra tennpluggen. Kontroller produktet for skader. Reparer skader, eller la et autorisert serviceverksted utføre reparasjon.
- Du må aldri feste motorbremsehåndtaket permanent til håndtaket når motoren er i gang.
- Plasser produktet på et stabilt, flatt underlag, og start det. Pass på at kniven ikke berører bakken eller andre gjenstander.
- Hold deg alltid bak produktet når du bruker det.
- La alle hjulene være på bakken, og hold begge hender på håndtaket når du bruker produktet. Hold hender og føtter borte fra de roterende knivene.
- Unngå å vippe produktet opp mens motoren er i gang.
- Vær forsiktig når du trekker produktet bakover.
- Du må aldri løfte produktet når motoren er i gang. Hvis du må løfte produktet, må du først stoppe motoren og koble tenningskabelen fra tennpluggen.
- Ikke gå bakover når du bruker produktet.
- Stopp motoren når du går over områder uten gress, for eksempel gangveier av grus, stein og asfalt.
- Ikke løp med produktet når motoren er på. Du må alltid gå mens du bruker produktet.
- Stopp motoren før du endrer klippehøyde. Utfør aldri justeringer mens motoren er i gang.
- La aldri produktet være ute av syne mens motoren er i gang. Stopp motoren, og forsikre deg om at skjæreutstyret ikke roterer.

Sikkerhetsinstruksjoner for drift

Personlig verneutstyr



ADVARSEL: Les de følgende advarslene før du bruker produktet.

- Verneutstyr kan aldri fullstendig forhindre skade, men det reduserer skadeomfanget hvis ulykken inntreffer. Spør forhandleren din om hjelp til å velge riktig utstyr.
- Bruk hørselsvern hvis støynivået er høyere enn 85 dB.
- Bruk kraftige, sklisikre støvler eller sko. Ikke bruk åpne sko eller gå barbeint.
- Bruk tykke langbukser.
- Bruk vernehansker når det er nødvendig, for eksempel når du fester, undersøker eller rengjør skjæreutstyret.

Sikkerhetsutstyr på produktet



ADVARSEL: Les de følgende advarselinstruksjonene før du bruker produktet.

- Ikke bruk produktet dersom sikkerhetsutstyret er defekt.
- Utfør regelmessig kontroll av sikkerhetsutstyret. Ta kontakt med ditt Husqvarna-serviceverksted, dersom sikkerhetsutstyret er defekt.

Slik kontrollerer du klippedekselet

Klippedekselet gir mindre vibrasjoner og minsker risikoen for skader forårsaket av kniven.

- Undersøk klippedekselet for å sikre at det ikke er noen skader, for eksempel sprekker.

Slik kontrollerer du motorbremsehåndtaket

Motorbremsehåndtaket stopper motoren. Når du slipper motorbremsehåndtaket, stopper motoren.

- Start motoren, og slipp deretter motorbremsehåndtaket. Hvis motoren ikke stopper innen tre sekunder, må du la et godkjent Husqvarna-serviceverksted justere motorbremsen. (Fig. 15)

Lyddemper

Lyddemperen begrenser støynivået og sender avgassene bort fra brukeren.

Bruk ikke produktet hvis lyddemperen mangler eller er defekt. En defekt lyddemper øker støynivået og faren for brann.



ADVARSEL: Lyddemperen blir svært varm under og etter bruk, og når motoren går på tomgang. Vær forsiktig i nærheten av

brannfarlige materialer og/eller avgasser for å unngå brann.

Drivstoffsikkerhet



ADVARSEL: Les de følgende advarslene før du bruker produktet.

- Ikke start produktet hvis det er drivstoff eller motorolje på produktet. Fjern uønsket drivstoff/olje, og la produktet tørke.
- Skift klær umiddelbart hvis du søler drivstoff på klærne.
- Ikke få drivstoff på kroppen, det kan føre til personskade. Bruk såpe og vann for å fjerne drivstoff hvis du får drivstoff på kroppen.
- Ikke start produktet hvis motoren lekker. Kontroller motoren for lekkasjer med jevne mellomrom.
- Vær forsiktig med drivstoff. Drivstoff er brannfarlig, og avgassene er eksplosive og kan forårsake personskade eller død.
- Ikke pust inn bensindamp, det kan føre til personskade. Pass på at det er tilstrekkelig luftstrøm.
- Du må ikke røye i nærheten av drivstoff eller motoren.
- Ikke sett varme gjenstander i nærheten av drivstoff eller motoren.
- Ikke fyll på drivstoff når motoren er på.
- Kontroller at motoren er avkjølt før du fyller på drivstoff.
- Åpne tanklokket sakte og slipp ut trykket forsiktig før du fyller.
- Ikke fyll drivstoff på motoren innendørs. En utilstrekkelig luftstrøm kan føre til personskade eller dødsfall på grunn av kveling eller karbonmonoksidforgiftning.

- Trekk til drivstofflokket helt. Hvis drivstofflokket ikke er strammet, kan det utgjøre en risiko for brann.
- Flytt produktet minst 3 m (10 fot) fra stedet der du fylte tanken, før du starter det.
- Fyll ikke drivstofftanken helt opp. Varme fører til at drivstoffet utvider seg. Lad det være litt plass øverst i drivstofftanken.

Sikkerhetsinstruksjoner for vedlikehold



ADVARSEL: Les de følgende advarslene før du bruker produktet.

- Eksosen fra motoren inneholder karbonmonoksid, en luktfri, giftig og svært farlig gass. Ikke start motoren innendørs eller i lukkede rom.
- Før du utfører vedlikehold på produktet, må du stoppe motoren og fjerne tenningskabelen fra tennpluggen.
- Bruk vernehansker når du utfører vedlikehold på skjæreutstyret. Kniven er svært skarp, og det er lett å kutte seg.
- Tilbehør og endringer på produktet som ikke er godkjent av produsenten, kan føre til alvorlig personskade eller død. Ikke foreta endringer av produktet. Bruk bare tilbehør som er godkjent av produsenten.
- Hvis vedlikeholdet ikke utføres riktig og regelmessig, øker faren for personskade og skade på produktet.
- Bare utfør vedlikehold som beskrevet i denne brukerveiledningen. Alt annet vedlikehold må utføres av et godkjent Husqvarna-serviceverksted.
- La et godkjent Husqvarna-serviceverksted utføre service på produktet regelmessig.
- Skift ut alle skadde, slitte eller ødelagte deler.

Montering

Slik monterer du håndtaket

1. Dytt skruen (A) gjennom håndtaket (B), plastskiven (C) og støttebraketten på håndtaket (D). (Fig. 16)
2. Trekk til mutteren (E) helt.
3. Dytt skruen (F) gjennom skiven (G) og støttebraketten på håndtaket.
4. Trekk til knotten (H) helt.
5. Rett inn hullene i håndtaket med hullene i det nedre håndtaket, og fest skruene, skivene og knottene. Trekk til knottene helt. (Fig. 17)
6. Fest kablene til håndtaket ved å bruke kabelfestene. (Fig. 18)

Merk: Kontroller at kablene ikke er strammet for hardt. Hvis kablene er for hardt strammet, kan dette

føre til skade på kabelen hvis håndtaket felles ned i transportstilling.

7. Plasser kablene rundt kroken nederst på håndtaket. (Fig. 19)

Slik justerer du høyden på håndtaket

1. Løsne de nedre knottene. (Fig. 20)
2. Fjern knotten, flensskiven og skruen på venstre og høyre side.
3. Håndtaket kan stilles i 2 forskjellige høyder. Sett inn skruen i et av de to hullene på venstre og høyre side. (Fig. 21)
4. Monter skruene, skivene og knottene.

5. Flytt knottene oppover i retning av håndtaket til de stopper og du hører et klikk. Trekk til knottene helt. (Fig. 22)

Slik setter du produktet i transportstilling

1. Tøm oppsamleren.
2. Løsne de to knottene på det øvre håndtaket, og fold håndtaket nedover. (Fig. 23)
3. Løsne de nedre knottene.
4. Flytt knottene til den nedre enden av sporene på venstre og høyre side av produktet. (Fig. 24)
5. Vipp styret forover. (Fig. 25)

Slik setter du produktet i driftsstilling

1. Løft håndtaket til det nedre håndtaket låses i driftsstillingen. (Fig. 26)

2. Flytt knottene oppover i retning av styret til de stopper og du hører et klikk.
3. Trekk til knottene helt. (Fig. 27)
4. Løft den øvre delen av håndtaket.
5. Trekk til knottene helt. (Fig. 28)

Slik monterer du gressoppsamleren

1. Sett den øvre delen av gressoppsamleren på den nedre delen av gressoppsamleren. (Fig. 29)
2. Fest gressoppsamlerammen med klemmene. (Fig. 30)
3. Løft det bakre dekselet.
4. Fest krokene på gressoppsamleren til den øverste kanten av chassiset. (Fig. 31)
5. Sett den nedre delen av gressoppsamleren inn i utkasterkanalen.

Drift

Innledning



ADVARSEL: Før du bruker produktet, må du lese og forstå kapittelet om sikkerhet.

Husqvarna Connect

Husqvarna Connect er en kostnadsfri app for mobilenheten din. Husqvarna Connect-appen gir utvidede funksjoner for Husqvarna-produktet ditt:

- utvidet produktinformasjon
- informasjon om og hjelp med produktdeleer og service

Slik begynner du å bruke Husqvarna Connect

1. Last ned Husqvarna Connect-appen på mobilenheten din.
2. Utfør registrering i Husqvarna Connect-appen.
3. Følg instruksjonene i Husqvarna Connect-appen for å koble til og registrere produktet.

Før du bruker produktet

1. Les nøye gjennom bruksanvisningen, og sørg for at du har forstått instruksjonene.
2. Undersøk skjæreutstyret for å sikre at det er riktig festet og justert. Se *Slik kontrollerer du skjæreutstyret på side 232*.
3. Fyll drivstofftanken. Se *Slik fyller du drivstoff på side 230*.
4. Fyll oljetanken, og kontroller oljenivået. Se *Slik kontrollerer du oljenivået på side 232*.

Slik fyller du drivstoff

Hvis tilgjengelig, bruker du miljøbensin/alkylatbensin. Hvis miljøbensin/alkylatbensin ikke er tilgjengelig, bruker du blyfri bensin av god kvalitet eller blybensin med oktantal 91 eller høyere.



OBS: Ikke bruk bensin med et oktantal som er mindre enn 91 RON. Dette kan skade produktet.



OBS: Skift drivstofffilteret årlig eller oftere hvis det er nødvendig. Et nytt drivstoffilter er tilgjengelig hos Husqvarna-forhandleren din.



OBS: Stopp alltid motoren før du fyller drivstoff.



OBS: Ikke bruk startvæsker under trykk.

1. Åpne drivstofflokket sakte for å slippe ut trykket.
2. Fyll langsomt med en bensinkanne. Hvis du søler drivstoff, kan du tørke det opp med en klut og la det som måtte være igjen, lufttørke. (Fig. 32)
3. Tørk rent rundt drivstofflokket.
4. Trekk til drivstofflokket helt. Hvis drivstofflokket ikke er strammet, kan det utgjøre en risiko for brann.
5. Flytt produktet minst 3 m (10 fot) fra stedet der du fylte tanken, før du starter det.

Slik regulerer du klippehøyden

1. Flytt spaken for klippehøyde bakover for å øke klippehøyden.
2. Flytt spaken for klippehøyde forover for å senke klippehøyden. (Fig. 33)



OBS: Ikke sett klippehøyden for lavt. Knivene kan treffe bakken hvis overflaten av plenen ikke er vannrett.

Slik starter du produktet

1. Sørg for at tenningskabelen er koblet til tennpluggen.
2. Stå bak produktet.
3. Hold motorbremsehåndtaket mot styret. (Fig. 34)
4. Hold i startsnorhåndtaket med høyrehånden.
5. Dra startsnoren langsomt ut til du kjenner litt motstand.
6. Trekk kraftig for å starte motoren.



ADVARSEL: Surr aldri startsnoren rundt hånden.

Slik brukes hjuldriften

- Skyv sikkerhetsbøylen i retning av styret. (Fig. 35)
- Løsne sikkerhetsbøylen for å frakoble driften, for eksempel når du går nær en hindring.
- Før du trekker produktet bakover, må du koble ut driften og skyve produktet forover med ca. 10 cm.

Slik stopper du produktet

- Hvis du vil stoppe kun driften, slipper du sikkerhetsbøylen.
- Hvis du vil stoppe motoren, slipper du motorbremsehåndtaket.

Slik får du et godt resultat

- Bruk alltid en godt slipt kniv. En sløv kniv gir ujevnt resultat, og gressets klippeoverflate blir gul. En skarp kniv bruker også mindre energi enn en sløv kniv.
- Ikke klipp mer enn 1/3 av lengden på gresset. Klipp først med klippehøyden stilt høyt. Undersøk resultatet og senk klippehøyden til det aktuelle nivået. Hvis gresset er veldig langt, kjører du sakte og klipper to ganger om nødvendig.
- Klipp i forskjellige retninger hver gang, for å unngå striper i plenen.

Vedlikehold

Innledning



ADVARSEL: Før du utfører vedlikeholdsarbeid, må du lese og forstå kapittelet om sikkerhet.

For alt vedlikehold og reparasjonsarbeid på produktet er det nødvendig med spesiell opplæring. Vi garanterer fagmessig reparasjon og service. Hvis forhandleren ikke er et serviceverksted, må du snakke med dem for å få informasjon om nærmeste serviceverksted.

Vedlikeholdsskjema



OBS: Sørg for at luftfilteret vender opp og ikke mot bakken når du vipper produktet. Fare for motorskade.

Vedlikeholdsintervallene er beregnet med utgangspunkt i daglig bruk av produktet. Intervallene kan endres hvis produktet ikke brukes daglig.

For vedlikehold merket med * kan du se instruksjonene i *Sikkerhetsutstyr på produktet på side 228*.

| Vedlikehold | Daglig | Månedlig | Hver sesong |
|--|--------|----------|-------------|
| Utfør en generell inspeksjon. | X | | |
| Kontroller oljenivået. | X | | |
| Skift olje (første gang etter 5 timers bruk og deretter etter hver 50. times bruk). ¹²⁰ | | | X |
| Rengjør produktet. | X | | |
| Kontroller skjærestyret. | X | | |
| Kontroller klippedekselet*. | X | | |
| Kontroller motorbremsehåndtaket*. | X | | |

¹²⁰ Hvis produktet brukes med tung belastning eller ved høye omgivelsestemperaturer, må motoroljen skiftes hver 25. time.

| Vedlikehold | Daglig | Månedlig | Hver sesong |
|---|--------|----------|-------------|
| Kontroller lydempere*. | | X | |
| Kontroller tennpluggen. Rengjør eller skift tennpluggen når det er nødvendig. | | | X |
| Kontroller luftfilteret. | X | | |
| Rengjør luftfilteret. ¹²¹ | | X | |
| Skift luftfilteret. | | | X |
| Kontroller drivstoffsystemet. | | | X |
| Rengjør kjøleflensene på sylindere | | X | |
| Kontroller og juster clutchvaieren (LC 140SP). | | | X |

Slik utfører du en generell inspeksjon

- Sørg for at alle mutre og skruer på produktet er trukket til ordentlig.

Slik rengjør du produktet på utsiden

- Bruk en børste for å fjerne løv, gress og smuss.
- Kontroller at luftinntaket på toppen av motoren ikke er blokkert.
- Produktet må ikke rengjøres med høytrykksspyler.
- Hvis du bruker vann til å rengjøre produktet, må du ikke spyle vann direkte på motoren.

Slik rengjør du den indre overflaten av klippedekselet

- Tøm drivstofftanken.
- Vipp produktet. Kontroller at tennpluggen peker opp.



OBS: Hvis produktet plasseres med luftfilteret ned, kan motoren bli skadet.

- Spyl innsiden av klippedekselet med vann.

Slik kontrollerer du skjæreutstyret



ADVARSEL: For å hindre utilsiktet start må du fjerne tenningskabelen fra tennpluggen.



ADVARSEL: Bruk vernehansker når du utfører vedlikehold på skjæreutstyret. Kniven er svært skarp, og det er lett å kutte seg.

- Kontroller skjæreutstyret med henblikk på skader og sprekkdannelse. Bytt alltid ut skadet skjæreutstyr.
- Sjekk om kniven er skadet eller sløv.

Merk: Kniven må balanseres etter at den er slipt. La et servicesenter slippe, skifte og balansere kniven. Hvis du treffer en hindring som fører til at produktet stopper, må du skifte ut den skadde kniven. La serviceverkstedet vurdere om kniven kan slipes eller om den må skiftes ut.

Slik bytter du kniven

- Lås kniven med en trekloss. (Fig. 36)
- Fjern knivbolten.
- Fjern kniven.
- Undersøk knivstøtten og knivbolten for å se om det finnes skader.
- Undersøk motorakselen for å forsikre deg om at den ikke er bøyd.
- Når du fester den nye kniven, må du peke de vinklede endene av kniven i retning av klippedekselet. (Fig. 37)
- Kontroller at kniven er på linje med midten av motorakselen.
- Lås kniven med en trekloss. Fest sprengskiven, og trekk til bolten og skiven med et moment på 45–60 Nm. (Fig. 38)
- Trekk kniven rundt for hånd for å kontrollere at den roterer fritt.
- Start produktet for å teste kniven. Hvis kniven ikke er riktig tilkoblet, vil produktet vibrere, eller klipperesultatet vil ikke bli bra nok.



ADVARSEL: Bruk kraftige arbeidshansker. Kniven er svært skarp, og det er lett å kutte seg.

Slik kontrollerer du oljenivået



OBS: For lavt oljenivå kan forårsake alvorlige motorskader. Kontroller oljenivået før du starter produktet.

¹²¹ Rengjør oftere under støvete forhold eller når det er rusk i luften. Skift luftfilteret hvis det er veldig skittent.

1. Sett produktet på et flatt underlag.
2. Ta av oljetankklokke med den medfølgende peilepinnen.
3. Fjern gjenværende olje fra peilepinnen.
4. Sett peilepinnen helt ned i oljetanken for å gi et korrekt bilde av oljenivået.
5. Fjern peilepinnen.
6. Kontroller oljenivået på peilepinnen.
7. Hvis oljenivået er lavt, fyller du på motorolje og utfører en ny kontroll av oljenivået.

Merk: Bruk en trakt for å unngå søl.

Slik skifter du motorolje



ADVARSEL: Motorolje er svært varm rett etter at motoren har stoppet. La motoren bli avkjølt før du tapper ut motorolje. Rengjør med såpe og vann hvis du søler motorolje på huden.

(Fig. 39)

Merk: Bruk 4-taktsmotorolje. Kontroller at du bruker riktig viskositet for omgivelsestemperaturen.

1. Bruk produktet til drivstofftanken er tom.
2. Fjern tenningskabelen fra tennpluggen.
3. Ta av oljetankklokke.
4. Tapp av motoroljen fra oljetanken med en oljepumpe (tilbehør).
5. Fyll på ny motorolje av typen som anbefales i *Tekniske data på side 235*.
6. Kontroller oljenivået. Se *Slik kontrollerer du oljenivået på side 232*.

Slik rengjør du skumplastfilteret

1. Ta av luftfilterdekselet og fjern skumplastfilteret.
2. Rengjør skumplastfilteret med såpe og vann.
3. Skyll skumplastfilteret i rent vann.
4. Klem ut vannet fra skumplastfilteret, og la det tørke.



OBS: Ikke bruk trykkluft. Det kan føre til skade på skumplastfilteret.

5. Smør skumplastfilteret med motorolje.
6. Trykk en ren klut mot skumplastfilteret for å fjerne overflødig olje.
7. Sett luftfilteret tilbake. Kontroller at luftfilteret er helt forsegle mot luftfilterholderen.

8. Sett luftfilterdekselet på plass.

Kontrollere tennpluggen



OBS: Bruk alltid anbefalt type tennplugg. Feil tennpluggtype kan føre til skade på produktet.

- Undersøk tennpluggen hvis motorens effekt er for lav, ikke er enkel å starte eller ikke fungerer riktig på tomgang.
- Følg disse instruksjonene for å redusere risikoen for uønsket materiale på tennpluggenes elektroder:
 - a) Pass på at tomgangsturtallet er riktig justert.
 - b) Pass på at drivstoffblandingen er riktig.
 - c) Kontroller at luftfilteret er rent.
- Hvis tennpluggen er skitten, må du rengjøre den og samtidig kontrollere at elektrodeavstanden er riktig. Se *Tekniske data på side 235*. (Fig. 40)
- Skift tennpluggen når det er nødvendig.

Slik undersøker du drivstoffsystemet

- Undersøk drivstofflokket og pakningen til lokket for å sikre at det ikke er noen skader.
- Undersøk drivstoffslangen for å sikre at det ikke finnes lekkasjer. Hvis drivstoffslangen er ødelagt, må du la et serviceverksted skifte den ut.

Slik justerer du clutchvaieren (LC 140SP)

I situasjonene som er nevnt nedenfor, må du redusere lengden på clutchvaieren:

- Hjuldriften går ikke i inngrep når du trekker i sikkerhetsbøylen eller spaken for turtallsregulering.
- Produktet beveger seg sakte når hjuldriften er koblet inn.

I situasjonene som er nevnt nedenfor, må du øke lengden på clutchvaieren:

- Produktet beveger seg når hjuldriften ikke er koblet inn.
- Slik justerer du clutchvaieren:
 - a) For å redusere lengden på clutchvaieren dreier du justeringsskruen mot urviseren.
 - b) For å øke lengden på clutchvaieren dreier du justeringsskruen med urviseren. (Fig. 41)

Hvis produktet fortsatt går på en lite tilfredsstillende måte etter justeringen, må du ta kontakt med serviceforhandleren.

Feilsøking på motoren

| Problem | Mulg årsak | Løsning |
|--|--|---|
| Motoren starter ikke. | Tenningskabelen er ikke riktig tilkoblet. | Koble tenningskabelen til tennpluggen. |
| | Drivstofftanken er tom. | Fyll drivstofftanken med riktig drivstofftype. |
| | Drivstoffet er gammelt. | Tøm drivstofftanken og forgasseren. Fyll på med ny bensin. |
| | Det er smuss i forgasseren eller drivstoffledningen. | Rengjør forgasseren og/eller drivstoffledningen. |
| | Tennpluggen er defekt. | Juster elektrodeavstanden, og rengjør eller bytt ut tennpluggen. |
| | Det er drivstoff på tennpluggen. | Rengjør tennpluggen. |
| Motoren stopper ikke. | Stoppemekanismen er defekt. | Koble tenningskabelen fra tennpluggen. Få produktet reparert ved et godkjent serviceverksted. |
| Motoren går ujevnt. | Tenningskabelen er ikke riktig tilkoblet. | Koble tenningskabelen til tennpluggen. |
| | Det er smuss i drivstoffledningen, eller drivstoffet er utløpt. | Rengjør drivstofflinjen. Fyll drivstofftanken med nytt drivstoff av riktig type. |
| | Det er en blokkering i lokket på drivstofftanken. | Rengjør lokket på drivstofftanken. |
| | Det er vann eller smuss i drivstoffsystemet. | Tapp drivstofftanken. Fyll drivstofftanken med nytt drivstoff av riktig type. |
| | Luftfilteret er skittent. | Rengjør luftfilteret. |
| | Forgasseren må justeres. | La en serviceforhandler justere forgasseren. |
| Motoren blir for varm. | Motoroljenivået er for lavt. | Fyll motorolje. |
| | Luftstrømmen er ikke tilstrekkelig. | Rengjør luftfilteret og luftfilterhuset. |
| | Forgasseren må justeres. | La en serviceforhandler justere forgasseren. |
| Det er feilttenning i motoren når den går med høy hastighet. | Elektrodeavstanden i tennpluggen er for liten. | Juster elektrodeavstanden. |
| Uvanlige lyder fra motoren under normal belastning. | Feil type bensin. | Tøm drivstofftanken og forgasseren. Fyll på med ny bensin. Se <i>Slik fyller du drivstoff på side 230</i> . Hvis problemet vedvarer, må du ta kontakt med den lokale serviceforhandleren din. |
| Motoren fungerer ikke riktig på tomgang. | Tennpluggen er skitten eller defekt, eller elektrodeavstanden er for stor. | Juster elektrodeavstanden eller bytt ut tennpluggen. |
| | Forgasseren må justeres. | Juster forgasseren. |
| | Luftfilteret er skittent. | Rengjør luftfilteret. |

Transport, oppbevaring og avhending

Transport og oppbevaring

- Før oppbevaring og transport av produktet og drivstoff, må du kontrollere at det ikke finnes lekkasjer eller gasser. Gnister eller åpen ild, for eksempel fra elektriske apparater eller varmekjeler, kan starte en brann.
- Bruk alltid godkjente beholdere for oppbevaring og transport av drivstoff.
- Tøm drivstofftanken før du setter produktet til oppbevaring over en lengre periode. Lever drivstoffet hos en returstasjon.
- Sørg for sikkert feste av produktet under transport for å unngå skader og ulykker.

- Oppbevar produktet på et låst sted for å hindre tilgang for barn eller personer som ikke er godkjent.
- Oppbevar produktet på et tørt og frostfritt sted.

Kassering

- Følg lokale gjenvinningsbestemmelser og gjeldende regelverk.
- Kast alle kjemikalier, for eksempel motorolje eller drivstoff, på et servicesenter eller en returstasjon.
- Når produktet ikke lenger er i bruk, kan du sende det til en Husqvarna-forhandler eller kaste det ved et returpunkt.

Tekniske data

Tekniske data

| | LC 140P | LC 140SP |
|---|--|--|
| Motor | | |
| Merke | Husqvarna | Husqvarna |
| Navn på motormodell | HS 123A | HS 123A |
| Motortype | Ensyldret, 4-takts, tvungen luftkjøling, OHV | Ensyldret, 4-takts, tvungen luftkjøling, OHV |
| Volum, cm ³ | 123 | 123 |
| Hastighet, o/min. | 3000 | 3000 |
| Nominell motoreffekt, kW ¹²² | 1,95 | 1,95 |
| Tenningsystem | | |
| Tennplugg | Husqvarna HQT-7 | Husqvarna HQT-7 |
| Elektrodeavstand, mm | 0,7-0,8 | 0,7-0,8 |
| Drivstoff-/smøresystem | | |
| Motorsmøretype | Skvalpesmøring | Skvalpesmøring |
| Volum drivstofftank, liter | 0,9 | 0,9 |
| Volum oljetank, liter | 0,5 | 0,5 |
| Motorolje ¹²³ | Husqvarna SAE 30 | Husqvarna SAE 30 |

¹²² Motorens merkeeffekt er gjennomsnittlig nettoeffekt (ved angitt turtall) for en typisk produksjonsmotor for motormodellen, målt ifølge SAE-standardene J1349/ISO1585. Masseproduserte motorer kan avvike fra denne verdien. Faktisk effekt for motoren montert på det ferdige produktet vil avhenge av driftshastighet, klimaforhold og andre verdier.

¹²³ Hvis SAE-30-olje brukes ved temperaturer lavere enn +5 °C, er det fare for at den ikke smører motoren tilstrekkelig. Dette kan føre til skader på motoren. Se *Slik skifter du motorolje på side 233* for riktig olje for lave temperaturer.

| | LC 140P | LC 140SP |
|--|-----------------------|-----------------------|
| Vekt | | |
| Med tomme tanker, kg | 25,2 | 26,8 |
| Støyutslipp ¹²⁴ | | |
| Lydeffektnivå, målt, dB(A) | 93 | 93 |
| Lydeffektnivå, garantert L _{WA} dB(A) | 95 | 95 |
| Lydnivåer ¹²⁵ | | |
| Lydtrykknivå ved brukerens øre, dB(A) | 81 | 81 |
| Vibrasjonsnivåer ¹²⁶ | | |
| Vibrasjoner i håndtak, m/s ² | 5,6 | 7,6 |
| Skjæreutstyr | | |
| Klippehøyde, mm | 25–75 | 25–75 |
| Klippebredde, cm | 400 | 400 |
| Klippesystem | Oppsamling/bakutkast. | Oppsamling/bakutkast. |
| Kniver – standard | Samling 5873863-10 | Samling 5873863-10 |
| Gressoppsamlerkapasitet, liter | 50 | 50 |
| Kjør | | |
| Selvgående hastighet, km/t | – | 4 |

¹²⁴ Utslipp av støy til omgivelsene målt som lydeffekt (L_{WA}) samsvarer med EF-direktiv 2000/14/EF.

¹²⁵ Rapporterte data for ekvivalent lydtrykknivå for maskinen har en typisk statistisk spredning (standardavvik) på 1,2 dB (A).

¹²⁶ Rapporterte data for vibrasjonsnivå har en typisk statistisk spredning (standard avvik) på 0,2 m/s².

EF-samsvarserklæring

EF-samsvarserklæring

Husqvarna AB, SE-561 82 Huskvarna, Sverige, tlf.: + 46 36 146500, erklærer at **gressklipperen Husqvarna LC 140P, LC 140SP** fra 2020 og fremover samsvarer med kravene i følgende RÅDSDIREKTIV:

- fra 8. juni 2011 på «begrense bruken av bestemte farlige stoffer» **2011/65/EU**
- fra 17. mai 2006, «angående maskiner» **2006/42/EF**
- fra 26. februar 2014 «angående elektromagnetisk kompatibilitet» **2014/30/EU**
- fra 8. mai 2000 «angående utslipp av støy til omgivelsene» **2000/14/EF**

For informasjon som gjelder støytuslipp, kan du se avsnittet Tekniske data.

Følgende standarder er blitt brukt:

EN ISO 5395-1:2013, EN ISO 5395-1:2013/A1, EN ISO 5395-2:2013, EN ISO 5395-2:2013/A1:2016, EN ISO 5395-2:2013/A2:2017, EN ISO 14982:2009

Hvis ikke annet er angitt, er de ovenfor oppgitte standarder de nyeste publiserte versjonene.

Kontrollorgan: **0036, TÜV SÜD Industrie Service GmbH, Westendstrasse 199, 80686 München, Germany** Har utført samsvarsvurdering i henhold til Tillegg VI i direktivet 2000/14/EF.

Huskvarna, 2020-10-20



Claes Losdal, Development Manager/hageprodukter (autorisert representant for Husqvarna AB og ansvarlig for teknisk dokumentasjon)

SPIS TREŚCI

| | | | |
|---------------------|-----|---|-----|
| Wstęp..... | 238 | Rozwiązywanie problemów z silnikiem..... | 247 |
| Bezpieczeństwo..... | 239 | Transport, przechowywanie i utylizacja..... | 248 |
| Montaż..... | 242 | Dane techniczne..... | 248 |
| Przeznaczenie..... | 243 | Deklaracja zgodności WE..... | 251 |
| Przegląd..... | 244 | | |

Wstęp

Opis produktu

Produkt jest rotacyjną kosiarką obsługiwaną przez operatora. Trawa zbierana jest do pojemnika na trawę. Zdjąć pojemnik na trawę, aby usunąć z niego trawę przez tylny otwór wylotowy.

Przegląd produktu

(Rys. 1)

1. Uchwyt / uchwyt sterowniczy
2. Dźwignia napędu (LC 140SP)
3. Rączka linki rozrusznika
4. Pojemnik na trawę
5. Zbiornik paliwa
6. Filtr powietrza
7. Świeca zapłonowa
8. Osłona modułu tnącego
9. Tłumik
10. Korek zbiornika paliwa
11. Dźwignia regulacji wysokości koszenia
12. Pokrywa tylna
13. Uchwyt hamulca silnika
14. Symbole
15. Montaż uchwytu dolnego
16. Uchwyt dolny
17. Instrukcja obsługi
18. Lejek oleju

Symbole znajdujące się na produkcie

- (Rys. 2) **OSTRZEŻENIE!** Należy zachować ostrożność i prawidłowo korzystać z produktu. Produkt może spowodować poważne obrażenia ciała lub śmierć operatora lub innych osób.
- (Rys. 3) Przed przystąpieniem do pracy prosimy dokładnie i ze zrozumieniem zapoznać się z treścią niniejszej instrukcji obsługi.
- (Rys. 4) Należy uważać na odrzucane i rykoszetujące przedmioty.

Przeznaczenie

Produkt służy fo cięcia trawy. Nie używać produktu do innych zadań.

- (Rys. 5) Ludzie i zwierzęta powinny przebywać w bezpiecznej odległości od obszaru roboczego.
- (Rys. 6) Ostrzeżenie: Ręce i stopy należy trzymać z dala od obracającego się ostrza.
- (Rys. 7) Ostrzeżenie: Nie zbliżać dłoni i stóp do części obrotowych.
- (Rys. 8) Przed rozpoczęciem napraw lub konserwacji urządzenia wyłączyć silnik i zdjąć przewód zapłonowy.
- (Rys. 9) Niniejszy produkt jest zgodny z obowiązującymi dyrektywami wspólnoty europejskiej.
- (Rys. 10) Emisja hałasu zgodna z Dyrektywą Wspólnoty Europejskiej. Hałas emitowany przez urządzenie jest określony w rozdziale „Dane techniczne” oraz na tabliczce znamionowej.
- (Rys. 11) Ryzyko pożaru.
- (Rys. 12) Nie wdychać oparów spalin. Spaliny z silnika zawierają tlenek węgla, który jest bezwonny, trującym i niebezpiecznym gazem. Nie należy uruchamiać silnika wewnątrz pomieszczeń lub w zamkniętych przestrzeniach.
- (Rys. 13) Gorąca powierzchnia.
- (Rys. 14) Przed uruchomieniem urządzenia należy napełnić silnik olejem.

Uwaga: Pozostałe symbole/naklejki samoprzylepne umieszczone na produkcie dotyczą wymogów związanych z certyfikatami w niektórych obszarach komercyjnych.

Emisje Euro V



OSTRZEŻENIE: Ingerencja w silnik powoduje unieważnienie europejskiego zatwierdzenia typu produktu.

- produkt jest nieprawidłowo naprawiany.
- produkt jest naprawiany przy użyciu części nie pochodzących od producenta lub niezatwierdzonych przez producenta.
- produkt jest wyposażony w akcesoria nie pochodzące od producenta lub niezatwierdzone przez producenta.
- produkt nie jest naprawiany w autoryzowanym centrum serwisowym lub przez autoryzowaną placówkę.

Odpowiedzialność za produkt

Zgodnie z przepisami dotyczącymi odpowiedzialności za produkt nie ponosimy odpowiedzialności za szkody spowodowane przez nasz produkt, jeśli:

Bezpieczeństwo

Definicje dotyczące bezpieczeństwa

Ostrzeżenia, uwagi i informacje są używane do zwrócenia uwagi na szczególnie ważne sekcje instrukcji obsługi.



OSTRZEŻENIE: Jest używane, gdy istnieje ryzyko poważnych obrażeń, śmierci operatora lub uszkodzenia otoczenia w wyniku nieprzestrzegania instrukcji obsługi.



UWAGA: Jest używane, gdy istnieje ryzyko uszkodzenia materiałów lub urządzenia w wyniku nieprzestrzegania instrukcji obsługi.

Uwaga: Stosuje się, aby przekazać więcej informacji, które są przydatne w danej sytuacji.

Ogólne zasady bezpieczeństwa



OSTRZEŻENIE: Przed rozpoczęciem użytkowania produktu przeczytać następujące ostrzeżenia.

- Produkt ten może być niebezpieczny w przypadku jego nieprawidłowego użytkowania i niezachowania ostrożności. Nieprzestrzeganie instrukcji bezpieczeństwa może spowodować obrażenia ciała lub śmierć.
- Podczas pracy urządzenie wytwarza pole elektromagnetyczne. W pewnych okolicznościach pole to może zakłócać pracę aktywnych lub pasywnych implantów medycznych. Przed użyciem tego produktu osoby z wszczepionym implantem medycznym powinny skonsultować się z lekarzem i producentem implantu w celu ograniczenia ryzyka poważnych lub śmiertelnych obrażeń.
- Zawsze zachowywać ostrożność i kierować się zdrowym rozsądkiem. Jeśli nie ma pewności, w jaki

sposób należy obsługiwać ten produkt w konkretnej sytuacji, przed wznowieniem pracy należy porozmawiać z dealerem Husqvarna.

- Pamiętaj o tym, że operator ponosi odpowiedzialność za wypadki z udziałem innych ludzi i ich własności.
- Utrzymywać produkt czystym. Upewnić się, że można łatwo odczytać oznaczenia i naklejki.
- Nie pozwalać używać maszyny jakimkolwiek osobom, które nie zapoznały się i nie zrozumiały zawartości instrukcji obsługi.
- Nie pozwalać dzieciom używać produktu.
- Należy trzymać dzieci z dala od obszaru roboczego. Zawsze musi jej towarzyszyć odpowiedzialna osoba dorosła.
- Nie pozwalać osobom nieznającym instrukcji używać maszyny.
- Należy zawsze kontrolować osobę o ograniczonych możliwościach fizycznych lub umysłowych podczas używania produktu. Zawsze musi jej towarzyszyć odpowiedzialna osoba dorosła.
- Osoba, która jest zmęczona, chora lub pod wpływem alkoholu, narkotyków lub leków nie może obsługiwać urządzenia. Stany te mają negatywny wpływ na wzrok, uwagę, koordynację i osąd.
- Nie stosować uszkodzonego produktu.
- Nie wolno dokonywać w maszynie zmian stanowiących modyfikację jej oryginalnej wersji. Nie używać maszyny, jeżeli istnieje podejrzenie, że ktoś inny wprowadził w niej zmiany.
- Nie wolno zmieniać ustawień prędkości obrotowej silnika.

Bezpieczeństwo miejsca pracy



OSTRZEŻENIE: Przed rozpoczęciem użytkowania produktu przeczytać następujące ostrzeżenia.

- Usunąć obiekty, takie jak gałęzie, gałązki i kamienie z obszaru roboczego przed rozpoczęciem korzystania z maszyny.
- Obiekty, które zderzają się z elementami tnącymi, mogą zostać wyrzucone i spowodować obrażenia osób i uszkodzenia przedmiotów. Osoby znajdujące się w pobliżu i zwierzęta powinny zachować bezpieczną odległość od maszyny.
- Nigdy nie należy używać produktu w niesprzyjających warunkach np. we mgle, w deszczu, przy silnym wietrze, na silnym mrozie, gdy występuje ryzyko wyładowań atmosferycznych. Korzystanie z maszyny w niesprzyjających warunkach lub w wilgotnych czy mokrych lokalizacjach jest męczące. Niesprzyjające warunki pogodowe mogą stworzyć niebezpieczne warunki, takie jak śliskie powierzchnie.
- Należy uważać na osoby, przedmioty i sytuacje, które mogą uniemożliwić bezpieczną obsługę maszyny.
- Należy zwracać uwagę na przeszkody, takie jak korzenie, kamienie, gałązki, dziury i doły. Wysoka trawa może zasłaniać przeszkody.
- Koszenie trawy na pochyłościach może być niebezpieczne. Nie należy używać maszyny na pochyłościach terenu przekraczających 15°.
- Należy używać maszyny, prowadząc ją w poprzek zbocza. Nie należy jeździć w górę i w dół zbocza.
- Zachować ostrożność podczas zbliżania się do narożników lub innych obiektów, które mogą ograniczać widoczność.
- Jeśli ostrze uderzy w jakikolwiek obiekt lub jeśli wystąpią wibracje, należy natychmiast wyłączyć maszynę. Odłączyć przewód zapłonowy od świecy zapłonowej. Należy sprawdzić maszynę pod kątem uszkodzeń. Należy naprawić uszkodzenia lub zlecić przeprowadzenie naprawy przez autoryzowany punkt serwisowy.
- Nigdy nie należy na stałe przymocowywać uchwyty hamulca silnikowego do uchwytu podczas pracy silnika.
- Maszynę należy ustawić na stabilnej, płaskiej powierzchni i ją uруchomić. Należy upewnić się, że ostrza nie uderzają w podłoże lub inne przedmioty.
- Podczas obsługi maszyny zawsze należy stać za nią.
- Podczas obsługi maszyny należy upewnić się, że wszystkie koła dotykają podłoża oraz trzymać na kierownicy obie dłonie. Ręce i stopy należy trzymać z dala od obracających się noży.
- Nie przechylać produktu, kiedy uruchomiony jest silnik.
- Należy zachować ostrożność podczas ciągnięcia maszyny do tyłu.
- Nigdy nie należy podnosić maszyny przy włączonym silniku. Jeśli konieczne jest podniesienie maszyny, najpierw należy wyłączyć silnik i odłączyć przewód zapłonowy od świecy zapłonowej.
- Nie należy poruszać się do tyłu podczas obsługi maszyny.
- Podczas poruszania się po obszarach bez trawy, na przykład po zwirowych, kamiennych lub asfaltowych ścieżkach, należy wyłączyć silnik.
- Nie należy biegać z maszyną przy włączonym silniku. Podczas obsługi maszyny zawsze należy poruszać się chodem.
- Przed zmianą wysokości koszenia należy wyłączyć silnik. Nigdy nie należy wykonywać regulacji przy uruchomionym silniku.
- Nigdy nie należy pozostawiać maszyny poza zasięgiem wzroku przy włączonym silniku. Należy wyłączyć silnik i upewnić się, że narzędzia tnące nie obracają się.

Pracuj bezpiecznie



OSTRZEŻENIE: Przed rozpoczęciem użytkowania produktu przeczytać następujące ostrzeżenia.

- Używać maszyny wyłącznie do przycinania trawników. Nie jest dozwolone wykorzystanie maszyny do innych zadań.
- Stosuj środki ochrony osobistej. Patrz *Środki ochrony osobistej na stronie 240*.
- Należy zawsze wiedzieć, jak szybko wyłączyć silnik w razie awarii.
- Nigdy nie należy uruchamiać silnika w zamkniętej przestrzeni lub w pobliżu łatwopalnych materiałów. Spaliny silnikowe mają wysoką temperaturę, mogą zawierać iskry, które mogą się stać przyczyną pożaru.
- Nie należy obsługiwać maszyny, jeśli ostrze oraz wszystkie pokrywy nie zostały prawidłowo zamocowane. Nieprawidłowo zamocowane ostrze może się obluźwiać i spowodować obrażenia.
- Należy upewnić się, że ostrze nie uderza w żadne obiekty, takie jak kamienie czy korzenie. Może to spowodować uszkodzenie ostrza oraz wygięcie wału silnika. Zgięta oś powoduje silne wibracje oraz bardzo wysokie zagrożenie obluźwaniem ostrza.

Instrukcje bezpieczeństwa dotyczące obsługi

Środki ochrony osobistej



OSTRZEŻENIE: Przed rozpoczęciem użytkowania produktu przeczytać następujące ostrzeżenia.

- Środki ochrony osobistej nie eliminują całkowicie ryzyka odniesienia obrażeń, natomiast ograniczają ich rozmiar w razie zaistnienia wypadku. Skorzystać z pomocy dealera przy wyborze odpowiedniego sprzętu.
- Jeśli poziom hałasu przekracza 85 dB, należy stosować ochronniki słuchu.

- Należy używać mocnego, przeciwpoślizgowego obuwia ochronnego lub obuwia roboczego. Nie należy używać otwartego obuwia lub chodzić boso.
- Stosować wytrzymałe, długie spodnie.
- W razie potrzeby, na przykład podczas mocowania, badania czy czyszczenia narzędzi tnących, stosować rękawice ochronne.

Zespoły zabezpieczające na osprzęcie



OSTRZEŻENIE: Przed rozpoczęciem użytkowania produktu przeczytać następujące ostrzeżenia.

- Nie należy używać maszyny z uszkodzonymi urządzeniami zabezpieczającymi.
- Regularnie przeprowadzać kontrole urządzeń zabezpieczających. Jeśli urządzenia zabezpieczające są uszkodzone, skontaktować się z warsztatem obsługi technicznej Husqvarna.

Sprawdzanie osłony modułu tnącego

Osłona modułu tnącego ogranicza drgania urządzenia i obniża ryzyko odniesienia obrażeń od ostrza.

- Zbadać osłonę modułu tnącego, aby upewnić się, że nie nosi ona znamion uszkodzenia, takich jak pęknięcia.

Sprawdzanie dźwigni hamulca silnika

Uchwyt hamulca silnika zatrzymuje silnik. Po zwolnieniu uchwytu hamulca silnika następuje wyłączenie silnika.

- Uruchomić silnik, a następnie zwolnić dźwignię hamulca silnika. Jeśli silnik nie wyłączy się w czasie 3 sekund, zatwierdzony serwis obsługi technicznej Husqvarna powinien wyregulować hamulec silnika. (Rys. 15)

Tłumik

Tłumik ogranicza do minimum poziom hałasu i odprowadza spaliny poza strefę pracy operatora.

Nie używać produktu, jeśli tłumik nie jest zamontowany lub jest uszkodzony. Uszkodzony tłumik zwiększa poziom hałasu oraz ryzyko pożaru.



OSTRZEŻENIE: Tłumik nagrzewa się do wysokiej temperatury podczas użytkowania oraz gdy silnik pracuje na obrotach biegu jałowego, oraz pozostaje gorący przez pewien czas po wyłączeniu silnika. W przypadku zbliżenia się do łatwopalnych materiałów i/lub spalin należy zachować szczególną ostrożność, aby zapobiec pożarowi.

Zasady bezpieczeństwa dotyczące paliwa



OSTRZEŻENIE: Przed rozpoczęciem użytkowania produktu przeczytać następujące ostrzeżenia.

- Nie uruchamiać produktu, jeśli znajduje się na nim paliwo lub olej silnikowy. Usunąć zabrudzenia paliwem/olejem i odczekać, aż produkt wyschnie.
- W przypadku rozlania paliwa na ubranie należy je natychmiast zmienić.
- Nie dopuścić do kontaktu paliwa z ciałem, ponieważ może to spowodować obrażenia. W przypadku kontaktu paliwa z ciałem należy użyć wody z mydłem w celu jego usunięcia.
- Nie uruchamiać maszyny, jeśli silnik jest nieszczelny. Regularnie sprawdzać silnik pod kątem nieszczelności.
- Zachować ostrożność przy pracy z paliwem. Paliwo jest łatwopalne, a jego opary mogą wybuchnąć, powodując obrażenia lub śmierć.
- Nie wdychać oparów paliwa, ponieważ może to być groźne dla zdrowia lub życia. Zapewnić odpowiednią wentylację.
- Nie palić tytoniu w pobliżu paliwa lub silnika.
- Nie umieszczać gorących przedmiotów w pobliżu paliwa lub silnika.
- Nie dolewać paliwa podczas pracy silnika.
- Przed tankowaniem upewnić się, że silnik jest zimny.
- Przed tankowaniem pomału odkręcić korek zbiornika paliwa i ostrożnie zwolnić ciśnienie.
- Nie dolewać paliwa do silnika w zamkniętym pomieszczeniu. Niewystarczający przepływ powietrza może doprowadzić do obrażeń lub śmierci na skutek uduszenia lub zatrucia tlenkiem węgla.
- Do końca dokręcić korek zbiornika paliwa. W przypadku braku dokręcenia korka zbiornika paliwa istnieje ryzyko powstania pożaru.
- Przed uruchomieniem należy przenieść produkt co najmniej 3 metry / 10 stóp od miejsca, w którym napełniany był zbiornik paliwa.
- Nie napełniać zbiornika paliwa całkowicie. Ciepło powoduje zwiększenie objętości paliwa. Pozostawić wolną przestrzeń na górze zbiornika.

Instrukcje bezpieczeństwa dotyczące konserwacji



OSTRZEŻENIE: Przed rozpoczęciem użytkowania produktu przeczytać następujące ostrzeżenia.

- Spaliny z silnika zawierają tlenek węgla, który jest bezwonnym, trującym i niebezpiecznym gazem. Nie należy uruchamiać silnika wewnątrz pomieszczeń lub w zamkniętych przestrzeniach.

- Przed rozpoczęciem konserwacji produktu wyłączyć silnik i odłączyć przewód zapłonowy ze świecy zapłonowej.
- W trakcie konserwacji narzędzi tnących należy korzystać z rękawic ochronnych. Ostrze jest bardzo ostre i może łatwo doprowadzić do skaleczenia.
- Niezatwierdzone przez producenta akcesoria i modyfikacje maszyny mogą spowodować poważne obrażenia lub śmierć. Nie należy modyfikować maszyny. Należy korzystać wyłącznie z akcesoriów zatwierdzonych do użytku przez producenta.
- W przypadku nieprawidłowo lub nieregularnie przeprowadzanej konserwacji wzrasta ryzyko obrażeń oraz uszkodzenia produktu.
- Konserwację należy przeprowadzać wyłącznie w sposób określony w instrukcji użytkownika. Wszelkie prace serwisowe muszą być wykonywane przez zatwierdzonego serwis Husqvarna.
- Należy dopilnować przeprowadzania regularnej konserwacji maszyny przez autoryzowany serwis Husqvarna.
- Wymieniać uszkodzone, zużyte lub zniszczone części.

Montaż

Montaż uchwyty

1. Przepchnąć śrubę (A) przez uchwyt (B), plastikową podkładkę (C) i wspornik uchwyty (D). (Rys. 16)
2. Całkowicie dokręcić nakrętkę (E).
3. Przepchnąć śrubę (F) przez podkładkę (G) i wspornik uchwyty.
4. Dokręcić pokrętkę (H) do końca.
5. Wyrównać otwory w drążku sterującym z otworami w uchwycie dolnym i zamocować śruby, podkładki i pokrętkę. Dokręcić do końca pokrętkę. (Rys. 17)
6. Zamocować przewody do uchwyty za pomocą uchwyty przewodu. (Rys. 18)

Uwaga: Upewnij się, że napięcie przewodów nie jest zbyt wysokie. Zbyt mocne napięcie może spowodować uszkodzenie przewodu w przypadku złożenia uchwyty do położenia transportowego.

7. Owinąć przewody wokół haka w dolnej części uchwyty. (Rys. 19)

Regulacja wysokości uchwyty

1. Poluzować dolne pokrętkę. (Rys. 20)
2. Zdjąć pokrętkę, podkładkę i śrubę po lewej i prawej stronie.
3. Uchwyt można ustawić na 2 różnych wysokościach. Włożyć śrubę do jednego z 2 otworów po lewej i prawej stronie. (Rys. 21)
4. Zamocować śruby, podkładki i pokrętkę.
5. Przesunąć pokrętkę w górę w kierunku uchwyty aż do zatrzaśnięcia. Dokręcić do końca pokrętkę. (Rys. 22)

Ustawienie kosiarki w pozycji transportowej

1. Wymontować pojemnik na trawę.
2. Poluzować pokrętkę w uchwycie górnym i złożyć uchwyt do tyłu. (Rys. 23)
3. Poluzować dolne pokrętkę.
4. Przesunąć pokrętkę do dolnych końców rowków po lewej i prawej stronie produktu. (Rys. 24)
5. Złożyć rękojeść do przodu. (Rys. 25)

Ustawienie kosiarki w pozycji roboczej

1. Podnieść uchwyt sterowniczy, aż uchwyt dolny zablokuje się w położeniu roboczym. (Rys. 26)
2. Przesunąć pokrętkę w górę w kierunku uchwyty aż do zatrzaśnięcia.
3. Dokręcić do końca pokrętkę. (Rys. 27)
4. Podnieść górną część uchwyty sterowniczego.
5. Dokręcić do końca pokrętkę. (Rys. 28)

Montaż pojemnika na trawę

1. Zamocować górną część pojemnika na trawę do jego dolnej części. (Rys. 29)
2. Przymocować ramę pojemnika na trawę za pomocą zacisków. (Rys. 30)
3. Unieść tylną pokrywę.
4. Zamocować haki pojemnika na trawę do górnej krawędzi obudowy. (Rys. 31)
5. Włożyć dolną część pojemnika na trawę do kanału otworu wylotowego trawy.

Przeznaczenie

Wstęp



OSTRZEŻENIE: Przed użyciem urządzenia należy przeczytać ze zrozumieniem rozdział poświęcony bezpieczeństwu.

Husqvarna Connect

Husqvarna Connect to darmowa aplikacja na urządzenia mobilne. Husqvarna Connect/Husqvarna

- Extended product information.
- Information about, and help with, product parts and servicing.

Rozpoczęcie użytkowania Husqvarna Connect

1. Pobierz aplikację Husqvarna Connect na swoim urządzeniu mobilnym.
2. Zarejestruj się w aplikacji Husqvarna Connect.
3. Wykonaj instrukcje wyświetlane w aplikacji Husqvarna Connect, aby nawiązać połączenie i zarejestrować produkt.

Przed użyciem urządzenia

1. Należy dokładnie i ze zrozumieniem zapoznać się z treścią niniejszej instrukcji.
2. Należy sprawdzić narzędzia tnące, aby upewnić się, że są one prawidłowo zamontowane i wyregulowane. Patrz *Kontrola osprzętu tnącego na stronie 245*.
3. Napełnić zbiornik paliwa. Patrz *Uzupełnianie paliwa na stronie 243*.
4. Napełnić zbiornik oleju i wykonać kontrolę poziomu oleju. Patrz *Kontrola poziomu oleju na stronie 246*.

Uzupełnianie paliwa

Jeśli jest to możliwe, należy stosować benzynę z niskoemisyjnym paliwem alkatylowym. W przypadku braku dostępności benzyny z niskoemisyjnym paliwem alkatylowym należy korzystać z dobrej jakości benzyny bezołowiowej lub benzyny ołowiowej o liczbie oktanowej nie niższej niż 91.



UWAGA: Nie używać benzyny o liczbie oktanowej niższej niż 91 RON. Niezastosowanie się do tego zalecenia może spowodować uszkodzenie produktu.



UWAGA: Wymieniać filtr paliwa raz w roku lub częściej, jeśli zachodzi taka potrzeba. Nowy filtr paliwa można nabyć u lokalnego dealera firmy Husqvarna.



UWAGA: Zawsze wyłączać silnik przed zatankowaniem paliwa.



UWAGA: Nie używać płynów zapłonowych pod ciśnieniem.

1. Powoli otworzyć korek wlewowy w celu wyrównania ciśnienia.
2. Powoli napełniać zbiornik paliwa. W przypadku rozlania paliwa należy je usunąć przy użyciu ściereki i pozwoić na wyschnięcie pozostałego paliwa. (Rys. 32)
3. Oczyszczyć korek wlewowy i powierzchnię wokół niego.
4. Do końca dokręcić korek zbiornika paliwa. W przypadku braku dokręcenia korka zbiornika paliwa istnieje ryzyko powstania pożaru.
5. Przed uruchomieniem należy przenieść produkt co najmniej 3 metry / 10 stóp od miejsca, w którym napełniany był zbiornik paliwa.

Regulacja wysokości koszenia

1. Przesunąć dźwignię wysokości koszenia do tyłu w celu zwiększenia wysokości koszenia.
2. Przesunąć dźwignię wysokości koszenia do przodu w celu zmniejszenia wysokości koszenia. (Rys. 33)



UWAGA: Nie należy ustawiać zbyt niskiej wysokości koszenia. Ostrza mogą uderzyć w podłoże, jeśli powierzchnia trawnika nie jest równa.

Uruchamianie produktu

1. Należy upewnić się, że przewód zapłonowy jest połączony ze świecą zapłonową.
2. Należy pozostawać za maszyną.
3. Przytrzymać dźwignię hamulca silnika przy drążku sterującym. (Rys. 34)
4. Należy trzymać rączkę linki rozrusznika prawą dłonią.
5. Powoli pociągnąć za linkę rozrusznika do poczucia oporu.
6. Pociągnąć, używając odpowiedniej siły, aby uruchomić silnik.



OSTRZEŻENIE: Nie owijać linki rozrusznika wokół dłoni.

Korzystanie z napędu kół

- Popchnąć dźwignię napędu w stronę drążka sterującego. (Rys. 35)
- Zwolnić dźwignię napędu, aby odłączyć napęd na przykład w sytuacji zbliżania się do przeszkody.
- Przed pociągnięciem maszyny do tyłu należy odłączyć napęd i popchnąć maszynę do przodu o około 10 cm.

Zatrzymywanie urządzenia

- Aby wyłączyć wyłącznie napęd, należy zwolnić dźwignię napędu.
- Aby zatrzymać silnik, należy zwolnić dźwignię hamulca silnika.

Uzyskiwanie dobrych rezultatów

- Używać zawsze dobrze naostrzonych ostrzy. Stępione ostrze daje nierównomierne rezultaty, a ścinana powierzchnia żółknie. Naostrzone ostrze zużywa również mniej energii niż ostrze stępione.
- Nie należy kosić więcej niż $\frac{1}{3}$ długości trawy. Najpierw należy kosić przy użyciu dużej wysokości koszenia. Zbadać rezultaty i obniżyć wysokość koszenia do odpowiedniego poziomu. Jeśli trawa jest bardzo długa, w razie konieczności należy przejechać powoli i ścinać dwukrotnie.
- Kosić za każdym razem w różnych kierunkach, aby uniknąć powstawania pasów na trawniku.

Przegląd

Wstęp



OSTRZEŻENIE: Przed przeprowadzeniem konserwacji należy przeczytać i zrozumieć rozdział o bezpieczeństwie.

Do wykonywania wszelkich prac serwisowych i naprawczych konieczne jest specjalistyczne przeszkolenie. Gwarantujemy dostępność profesjonalnych napraw i usług serwisowych. Jeśli dany dealer nie jest autoryzowanym punktem serwisowym, poproś sprzedawcę o informacje na temat najbliższego autoryzowanego punktu serwisowego.

Plan konserwacji



UWAGA: Upewnić się, że filtr powietrza jest uniesiony i nie dotyka podłoża po przechyleniu produktu. Ryzyko uszkodzenia silnika.

Odstępy pomiędzy konserwacjami obliczane są w oparciu o codzienne wykorzystanie produktu. Odstępy te ulegają zmianie, jeśli maszyna nie jest użytkowana codziennie.

Czynności konserwacyjne oznaczone znakiem * objaśniono w instrukcjach w części *Zespoły zabezpieczające na osprzęcie na stronie 241*.

| Przegląd | Codziennie | Co miesiąc | Co sezon |
|---|------------|------------|----------|
| Przeprowadzenie ogólnego przeglądu | X | | |
| Kontrola poziomu oleju | X | | |
| Wymienić olej (pierwszy raz po 5 godzinach użytkowania, następnie po upływie każdych 50 godzin). ¹²⁷ | | | X |
| Wyczyszczenie maszyny | X | | |
| Kontrola osprzętu tnącego | X | | |
| Sprawdzanie osłony cięcia* | X | | |
| Kontrola dźwigni hamulca silnika* | X | | |
| Kontrola tłumika* | | X | |

¹²⁷ Jeśli produkt jest użytkowany przy dużym obciążeniu lub w wysokich temperaturach otoczenia, olej silnikowy należy wymieniać co 25 godzin.

| Przeгляд | Codziennie | Co miesiąc | Co sezon |
|--|------------|------------|----------|
| Sprawdzić świecę zapłonową. W razie potrzeby wyczyścić lub wymienić świecę zapłonową | | | X |
| Sprawdzić filtr powietrza | X | | |
| Sprawdzić filtr powietrza ¹²⁸ | | X | |
| Wymienić filtr powietrza | | | X |
| Kontrola układu paliwowego | | | X |
| Oczyścić żeberka chłodzące cylindra. | | X | |
| Kontrola i regulacja linki sprężgła (LC 140SP) | | | X |

Przeгляд ogólny

- Należy upewnić się, że wszystkie nakrętki i śruby maszyny są odpowiednio dokręcone.

Czyszczenie maszyny od zewnątrz

- W celu usunięcia liści, trawy i brudu należy użyć szczotki.
- Należy upewnić się, że wlot powietrza zlokalizowany nad silnikiem nie jest zablokowany.
- Nie używać myjek wysokociśnieniowych do czyszczenia urządzenia.
- Jeśli do czyszczenia maszyny używana jest woda, nie należy polewać nią bezpośrednio silnika.

Czyszczenie powierzchni wewnętrznej osłony modułu tnącego

- Opróżnić zbiornik paliwa.
- Przechylić maszynę. Upewnić się, że świeca zapłonowa jest skierowana w górę.



UWAGA: Jeśli maszyna położona zostanie ze skierowanym do dołu filtrem powietrza, może dojść do uszkodzenia silnika.

- Należy spłukać powierzchnie wewnętrzne osłony osprzętu tnącego wodą.

Kontrola osprzętu tnącego



OSTRZEŻENIE: Aby zapobiec przypadkowemu uruchomieniu, należy odłączyć przewód zapłonowy od świecy zapłonowej.



OSTRZEŻENIE: W trakcie konserwacji narzędzi tnących należy korzystać z rękawic ochronnych. Ostrze jest bardzo ostre i może łatwo doprowadzić do skaleczenia.

- Należy skontrolować, czy osprzęt tnący nie jest uszkodzony bądź pęknięty. Zawsze wymieniać uszkodzony osprzęt tnący.
- Obejrzyć ostrze i upewnić się, że nie jest uszkodzone lub stępione.

Uwaga: Po ostrzeniu ostrze należy wypoziomować. Ostrzenie, wymiana i poziomicowanie ostrza winno zostać przeprowadzone przez centrum serwisowe. W przypadku uderzenia w przeszkodę, która zatrzymuje maszynę, należy wymienić uszkodzone ostrze. Pozwolić, aby przedstawiciel serwisowy oszacował, czy ostrze można naostrzyć czy wymienić.

Wymiana ostrza

- Zablokować ostrze przy użyciu drewnianego bloku. (Rys. 36)
- Wymontować śrubę ostrza.
- Zdjąć ostrze.
- Skontrolować wspornik ostrza oraz śrubę ostrza pod kątem uszkodzeń.
- Skontrolować wał silnika, aby upewnić się, że nie jest zgięty.
- Podczas mocowania nowego ostrza należy skierować zakrzywione końce ostrza ku osłonie osprzętu tnącego. (Rys. 37)
- Upewnić się, że ostrze jest wyrównane względem środka wału silnika.
- Zablokować ostrze przy użyciu drewnianego bloku. Zamocować podkładkę sprężynową i dokręcić śrubę oraz podkładkę momentem dokręcania wynoszącym 45–60 Nm. (Rys. 38)
- Obracać ostrzem za pomocą ręki i sprawdzić, czy obraca się swobodnie.



OSTRZEŻENIE: Nosić solidne rękawice ochronne. Ostrze jest bardzo ostre i może łatwo doprowadzić do skaleczenia.

¹²⁸ Czyścić częściej w warunkach dużego zapylenia lub w przypadku obecności zanieczyszczeń unoszących się w powietrzu. Wymienić wkład filtra powietrza, jeżeli jest bardzo brudny.

10. Uruchomić maszynę w celu przetestowania ostrza. Jeśli ostrze nie zostało zamontowane prawidłowo, maszyna będzie wibrować lub rezultaty koszenia będą niezadowalające.

Kontrola poziomu oleju



UWAGA: Za niski poziom oleju może doprowadzić do poważnego uszkodzenia silnika. Przed uruchomieniem maszyny należy skontrolować poziom oleju.

1. Postawić maszynę na równym podłożu.
2. Odkręcić korek zbiornika oleju z zamocowanym wskaźnikiem prętowym.
3. Zetrzeć olej z prętowego wskaźnika poziomu oleju.
4. Włożyć prętowy wskaźnik całkowicie do zbiornika, aby sprawdzić rzeczywisty poziom oleju.
5. Wyjąć prętowy wskaźnik poziomu oleju.
6. Sprawdzić poziom oleju na wskaźniku prętowym.
7. Jeśli poziom oleju jest zbyt niski, napelnić zbiornik olejem silnikowym i wykonać ponowną kontrolę poziomu oleju.

Uwaga: Użyć lejka, aby uniknąć rozlania.

Wymiana oleju silnikowego



OSTRZEŻENIE: Olej silnikowy jest niezwykle gorący bezpośrednio po wyłączeniu silnika. Poczekać na ostygnięcie silnika przed spuszczeniem oleju silnikowego. W przypadku rozlania oleju silnikowego na skórę, zmyć go wodą z mydłem.

(Rys. 39)

Uwaga: Stosować olej do silników czterosurowych. Upewnić się, że lepkość oleju jest odpowiednia dla danej temperatury otoczenia.

1. Obsługiwać maszynę do momentu opróżnienia zbiornika paliwowego.
2. Odłączyć przewód zapłonowy od świecy zapłonowej.
3. Odkręcić korek zbiornika oleju.
4. Spuścić olej silnikowy ze zbiornika oleju za pomocą pompy oleju (akcesorium).
5. Napelnić nowym olejem silnikowym zgodnym z zaleceniami zawartymi w *Dane techniczne na stronie 248*.
6. Skontrolować poziom oleju. Patrz *Kontrola poziomu oleju na stronie 246*.

Czyszczenie filtra gąbkowego

1. Zdjąć pokrywę filtra powietrza i wyjąć filtr gąbkowy.

2. Wyczyścić filtr gąbkowy wodą z mydłem.
3. Wypłukać filtr gąbkowy w czystej wodzie.
4. Wycisnąć wodę z filtra gąbkowego i pozostawić do wyschnięcia.



UWAGA: Nie używać sprężonego powietrza. Może ono spowodować uszkodzenie filtra gąbkowego.

5. Nasmarować filtr gąbkowy olejem silnikowym.
6. Przycisnąć do filtra gąbkowego czystą ściereczkę w celu usunięcia nadmiaru oleju.
7. Założyć filtr z powrotem. Upewnić się, że filtr powietrza ściśle przylega do uchwyty filtra powietrza.
8. Założyć ponownie pokrywę filtra powietrza.

Sprawdzanie świecy zapłonowej



UWAGA: Stosuj wyłącznie świece zapłonowe zalecane przez producenta. Niewłaściwy typ świecy zapłonowej może spowodować uszkodzenie produktu.

- Sprawdzić świecę zapłonową, jeśli silnik ma za małą moc, trudno go uruchomić lub nie działa prawidłowo na biegu jałowym.
- Aby zmniejszyć ryzyko przedostawania się niepożądanych materiałów na elektrody świecy zapłonowej, należy przestrzegać poniższych instrukcji:
 - a) Dopilnować, by obroty biegu jałowego zostały prawidłowo wyregulowane.
 - b) Dopilnować, aby używana była odpowiednia mieszanka paliwowa.
 - c) Zadać o czystość filtra powietrza.
- Jeśli świeca zapłonowa jest zabrudzona, należy ją wyczyścić i upewnić się, że odstęp między elektrodami jest prawidłowy, patrz *Dane techniczne na stronie 248*. (Rys. 40)
- W razie potrzeby wymienić świecę zapłonową.

Kontrolowanie instalacji paliwowej

- Skontrolować korek zbiornika paliwa oraz uszczelkę korka zbiornika paliwa w celu upewnienia się, że nie występują żadne uszkodzenia.
- Skontrolować przewód paliwowy w celu upewnienia się, że nie przecieka. W przypadku uszkodzenia przewodu paliwowego zlecić jego wymianę przedstawicielowi serwisowemu.

Regulacja linki sprzęgła (LC 140SP)

Skrócenie linki sprzęgła jest konieczne w następujących sytuacjach:

- Po pociągnięciu dźwigni napędu lub dźwigni regulacji obrotów napęd kół nie włącza się.
- Po włączeniu napędu kół produkt porusza się powoli.

Wydłużenie linki sprzęgła jest konieczne w następujących sytuacjach:

- Produkt porusza się, gdy napęd kół nie jest włączony.
- Wyregulować linkę sprzęgła.
 - a) Aby skrócić linkę sprzęgła, należy obrócić śrubę regulacyjną w lewo.

- b) Aby wydłużyć linkę sprzęgła, należy obrócić śrubę regulacyjną w prawo. (Rys. 41)

Jeśli po zakończeniu regulacji produktu jego działanie wciąż będzie niezadowolające, należy skontaktować się z punktem serwisowym

Rozwiązywanie problemów z silnikiem

| Problem | Możliwa przyczyna | Rozwiązanie |
|-------------------------------|--|--|
| Silnik nie uruchamia się. | Przewód zapłonowy nie jest poprawnie podłączony. | Podłączyć przewód zapłonowy do świecy zapłonowej. |
| | Zbiornik paliwa jest pusty. | Zbiornik paliwa napełniać czystą mieszanką paliwową. |
| | Paliwo jest stare. | Opróżnić zbiornik paliwa i gaźnik. Zatanakować nową benzynę. |
| | Gaźnik lub przewód paliwowy jest zabrudzony. | Wyczyścić gaźnik i/lub przewód paliwowy. |
| | Świeca zapłonowa jest uszkodzona. | Wyregulować odstęp między elektrodami, wyczyścić lub wymienić świecę zapłonową. |
| | Na świecy zapłonowej znajduje się paliwo. | Oczyścić świecę zapłonową. |
| Silnik nie zatrzymuje się. | Usterka mechanizmu zatrzymującego. | Odłączyć przewód zapłonowy od świecy zapłonowej. Wykonanie naprawy należy zlecić autoryzowanemu warsztatowi obsługi technicznej. |
| Silnik nie pracuje płynnie. | Przewód zapłonowy nie jest poprawnie podłączony. | Podłączyć przewód zapłonowy do świecy zapłonowej. |
| | Przewód paliwowy jest zabrudzony lub paliwo jest stare. | Wyczyścić przewód paliwowy. Napełnić zbiornik paliwa odpowiednim czystym paliwem. |
| | Zakrętka zbiornika paliwa jest zapchana. | Oczyścić korek zbiornika paliwa. |
| | W układzie paliwowym znajdują się zanieczyszczenia lub woda. | Opróżnić zbiornik paliwa. Napełnić zbiornik paliwa odpowiednim czystym paliwem. |
| | Filtr powietrza jest zabrudzony. | Oczyścić filtr powietrza. |
| | Należy wyregulować gaźnik. | Regulację gaźnika należy zlecić punktowemu serwisowemu. |
| Silnik staje się zbyt gorący. | Poziom oleju silnikowego jest zbyt niski. | Napełnić olej silnikowy. |
| | Przepływ powietrza jest niewystarczający. | Wyczyścić filtr powietrza i obudowę filtra powietrza. |
| | Należy wyregulować gaźnik. | Regulację gaźnika należy zlecić punktowemu serwisowemu. |

| Problem | Możliwa przyczyna | Rozwiązanie |
|--|--|---|
| Podczas pracy na wysokich obrotach silnika występują przerwy w zapłonie. | Odstęp między elektrodami świecy zapłonowej jest zbyt mały. | Ustawić odstęp między elektrodami. |
| Z silnika wydobywa się nietypowy hałas przy normalnym obciążeniu. | Nieprawidłowy typ benzyny. | Opróżnić zbiornik paliwa i gaźnik. Zatkanować nową benzynę. Patrz <i>Uzupełnianie paliwa na stronie 243</i> . Jeśli problem utrzymuje się, należy skontaktować się z lokalnym warsztatem obsługi technicznej. |
| Silnik nie pracuje płynnie przy obrotach biegu jałowego. | Elektrody świecy zapłonowej są zanieczyszczone lub uszkodzone lub odstęp między nimi jest zbyt duży. | Wyregulować odstęp między elektrodami lub wymienić świecę zapłonową. |
| | Należy wyregulować gaźnik. | Wyregulować gaźnik. |
| | Filtr powietrza jest zabrudzony. | Oczyścić filtr powietrza. |

Transport, przechowywanie i utylizacja

Transport i przechowywanie

- W zakresie przechowywania i transportu maszyny i paliwa należy upewnić się, że nie ma żadnych przecieków ani nie wydostają się z urządzenia żadne opary. Iskry lub otwarty płomień pochodzące, na przykład, z urządzeń elektrycznych lub kotłów, mogą wzniecić pożar.
- Zawsze należy korzystać z zatwierdzonych pojemników do przechowywania i transportu paliwa.
- Opróżnić zbiornik paliwa przed odłożeniem maszyny na dłuższy okres. Utylizacja paliwa w odpowiednim miejscu
- Podczas transportu, w celu zapobieżenia uszkodzeniom i wypadkom, maszynę należy bezpiecznie zamocować.
- Maszynę należy przechowywać w zamkniętym obszarze w celu uniemożliwienia dzieciom lub

nieupoważnionym osobom uzyskania do niej dostępu.

- Produkt przechowywać w suchym obszarze nie narażonym na przymrozki.

Utylizacja

- Przestrzegać lokalnych wymogów dotyczących recyklingu oraz obowiązujących przepisów.
- Zutyliзовать wszelkie środki chemiczne, takie jak olej silnikowy i paliwo, w centrum serwisowym lub w odpowiednim miejscu utylizacji.
- Gdy produkt nie jest już użytkowany, należy go odesłać Husqvarna do dealera lub zutyliзовать w centrum utylizacji.

Dane techniczne

Dane techniczne

| | LC 140P | LC 140SP |
|----------------------|---|---|
| Silnik | | |
| Marka | Husqvarna | Husqvarna |
| Nazwa modelu silnika | HS 123A | HS 123A |
| Typ silnika | Jednocylindrowy, 4-suwowy, wymuszony obieg powietrza chłodzącego, OHV | Jednocylindrowy, 4-suwowy, wymuszony obieg powietrza chłodzącego, OHV |

| | LC 140P | LC 140SP |
|---|--------------------------|--------------------------|
| Pojemność, cm ³ | 123 | 123 |
| Prędkość, obr./min | 3000 | 3000 |
| Nominalna moc wyjściowa silnika (kW) ¹²⁹ | 1,95 | 1,95 |
| Układ zapłonowy | | |
| Świeca zapłonowa | Husqvarna HQT-7 | Husqvarna HQT-7 |
| Odstęp między elektrodami świecy, w mm | 0,7-0,8 | 0,7-0,8 |
| Układ zasilania/smarowania | | |
| Metoda smarowania silnika | Rozprysk | Rozprysk |
| Pojemność zbiornika paliwa, litry | 0,9 | 0,9 |
| Pojemność zbiornika oleju, w litrach | 0,5 | 0,5 |
| Olej silnikowy ¹³⁰ | Husqvarna SAE 30 | Husqvarna SAE 30 |
| Waga | | |
| Z pustymi zbiornikami, kg | 25,2 | 26,8 |
| Poziom hałasu¹³¹ | | |
| Poziom mocy akustycznej, zmierzony, dB(A) | 93 | 93 |
| Poziom głośności, gwarantowana moc akustyczna L _{WA} dB(A) | 95 | 95 |
| Poziomy głośności¹³² | | |
| Poziom ciśnienia akustycznego przy uchu operatora, dB(A) | 81 | 81 |
| Poziomy drgań¹³³ | | |
| Poziom drgań uchwytu sterowniczego, m/s ² | 5,6 | 7,6 |
| Osprzęt tnący | | |
| Wysokość koszenia, mm | 25–75 | 25–75 |
| Szerokość koszenia, mm | 400 | 400 |
| Układ tnący | Zbieranie / wyrzut tylny | Zbieranie / wyrzut tylny |
| Ostrza — standard | 5873863-10 | 5873863-10 |
| Pojemność zbiornika na trawę, l | 50 | 50 |

¹²⁹ Moc silnika podana jest jako średnia, wyjściowa moc znamionowa (przy podanych obrotach) dla typowego modelu produkowanego silnika zmierzonego wg normy SAE J1349/ISO1585. Silniki produkowane masowo mogą odbiegać od tej wartości. Aktualna moc wyjściowa zainstalowanego na maszynie silnika zależy będzie od prędkości obrotowej, warunków otoczenia oraz innych wartości.

¹³⁰ Jeśli olej SAE-30 jest stosowany w temperaturach poniżej +5°C, istnieje ryzyko, że silnik nie będzie odpowiednio smarowany. Może to doprowadzić do uszkodzenia silnika. Informacje na temat prawidłowego poziomu oleju dla niskich temperatur można znaleźć w *Wymiana oleju silnikowego na stronie 246*.

¹³¹ Emisję hałasu do otoczenia zmierzono jako moc akustyczną (L_{WA}), zgodnie z dyrektywą WE 2000/14/WE.

¹³² Odnotowane dane dla ciśnienia akustycznego mają typowe rozproszenie statystyczne (odchylenie standardowe) w wysokości 1,2 dB (A).

¹³³ Odnotowane dane dla poziomu wibracji mają typowe rozproszenie statystyczne (odchylenie standardowe) w wysokości 0,2 m/s².

| | LC 140P | LC 140SP |
|----------------------|---------|----------|
| Napęd | | |
| Prędkość chodu, km/h | - | 4 |

Deklaracja zgodności WE

Deklaracja zgodności WE

Firma **Husqvarna AB**, SE-561 82 Huskvarna, Szwecja,
tel.: +46-36-146500, oświadcza, że **kosiarka Husqvarna
LC 140P, LC 140SP**, począwszy od roku 2020, są
zgodne z przepisami zawartymi w DYREKTYWIE RADY

- z dnia 8 czerwca 2011 roku, „dotyczącej ograniczenia użycia określonych substancji niebezpiecznych” **2011/65/UE**.
- z 17 maja 2006 r. „dotyczącej maszyn” **2006/42/WE**
- z 26 lutego 2014 roku, „dotyczącej kompatybilności elektromagnetycznej” **2014/30/UE**
- z 8 maja 2000 roku, „dotyczącej emisji hałasu do otoczenia” **2000/14/WE**

Informacje dotyczące emisji hałasu podano w rozdziale „Dane techniczne”.

Zostały zastosowane następujące normy:

EN ISO 5395-1:2013, EN ISO 5395-1:2013/A1, EN ISO 5395-2:2013, EN ISO 5395-2:2013/A1:2016, EN ISO 5395-2:2013/A2:2017, EN ISO 14982:2009

Jeśli nie podano inaczej, wymienione powyżej normy to najnowsze opublikowane wersje.

Jednostka notyfikowana: **0036, TÜV SÜD Industrie Service GmbH, Westendstrasse 199, 80686 München, Germany** przeprowadziła ocenę zgodności według załącznika VI dyrektywy 2000/14/WE.

Huskvarna, 2020-10-20



Claes Losdal, menedżer ds. rozwoju/produkty ogrodowe
(autoryzowany przedstawiciel Husqvarna AB oraz osoba odpowiedzialna za dokumentację techniczną)

ÍNDICE

| | | | |
|--------------------|-----|---|-----|
| Introdução..... | 252 | Resolução de problemas no motor..... | 261 |
| Segurança..... | 253 | Transporte, armazenamento e eliminação..... | 262 |
| Montagem..... | 256 | Especificações técnicas..... | 262 |
| Funcionamento..... | 256 | Declaração CE de conformidade..... | 265 |
| Manutenção..... | 258 | | |

Introdução

Descrição do produto

O produto é um corta-relva giratório de controlo apeado. A relva é apanhada num coletor de relva. Remova o coletor de relva para recolher a descarga traseira da relva.

Vista geral do produto

(Fig. 1)

1. Punho/barra de direção
2. Manípulo de direção (LC 140SP)
3. Punho do cabo de arranque
4. Coletor de relva
5. Depósito de combustível
6. Filtro de ar
7. Vela de ignição
8. Cobertura de corte
9. Silenciador
10. Tampa do depósito de óleo
11. Alavanca da altura de corte
12. Cobertura traseira
13. Manípulo de travão do motor
14. Símbolos
15. Conjunto da barra inferior
16. Barra inferior
17. Manual do utilizador
18. Funil para óleo

Símbolos no produto

- (Fig. 2) AVISO! Seja cuidadoso e utilize o produto corretamente. Este produto pode provocar ferimentos graves ou a morte do utilizador ou terceiros.
- (Fig. 3) Leia o manual do utilizador com atenção e certifique-se de que compreende as instruções antes de utilizar o produto.
- (Fig. 4) Tenha cuidado com objetos projetados e ricochetes.
- (Fig. 5) Mantenha as pessoas e os animais a uma distância de segurança da área de trabalho.

Finalidade

Utilize o produto para cortar a relva. Não utilize o produto para outras tarefas.

- (Fig. 6) Aviso: Mantenha as mãos e os pés afastados da lâmina rotativa.
- (Fig. 7) Aviso: Mantenha as mãos e os pés afastados das peças rotativas.
- (Fig. 8) Desligue o motor e retire o cabo de ignição antes de realizar tarefas de reparação ou manutenção.
- (Fig. 9) Este produto está em conformidade com as diretivas aplicáveis da CE.
- (Fig. 10) Emissões de ruído para o meio ambiente conforme diretiva da Comunidade Europeia. As emissões do produto são indicadas no capítulo de Especificações técnicas e na etiqueta.
- (Fig. 11) Risco de incêndio.
- (Fig. 12) Não respire os gases de escape. Os gases de escape do motor contêm monóxido de carbono, um gás inodoro, tóxico e altamente perigoso. Não ligue o motor em zonas interiores ou em espaços fechados.
- (Fig. 13) Superfície quente.
- (Fig. 14) Encha o motor com óleo antes de ligar o produto.

Nota: Os restantes símbolos/autocolantes existentes no produto dizem respeito a requisitos para homologação em algumas áreas comerciais.

Emissões Euro V



ATENÇÃO: A adulteração do motor anula a aprovação deste produto pela UE.

Responsabilidade pelo produto

Como referido nas leis de responsabilidade pelo produto, não somos responsáveis por danos causados pelo nosso produto se:

- o produto tiver sido incorretamente reparado.
- o produto tiver sido reparado com peças que não sejam do fabricante ou que não sejam aprovadas pelo fabricante.
- o produto tiver um acessório que não seja do fabricante ou que não seja aprovado pelo fabricante.
- o produto não tiver sido reparado por um centro de assistência autorizado ou por uma autoridade aprovada.

Segurança

Definições de segurança

Os avisos, as precauções e as notas são utilizados para indicar partes especialmente importantes do manual.



ATENÇÃO: Utilizado no caso de existir risco de ferimento ou morte para o utilizador ou transeuntes, se não forem respeitadas as instruções do manual.



CUIDADO: Utilizado se existir risco de danos para o produto, para outros materiais ou para a área adjacente, se não forem respeitadas as instruções do manual.

Nota: Utilizado para disponibilizar informações adicionais necessárias numa determinada situação.

Instruções de segurança gerais



ATENÇÃO: Leia as instruções de aviso que se seguem antes de utilizar o produto.

- Este produto é perigoso se for utilizado de forma incorreta ou se não o utilizador for cuidadoso. Podem ocorrer ferimentos graves ou mesmo morte se as instruções de segurança não forem respeitadas.
- Este produto produz um campo eletromagnético durante o funcionamento. Em determinadas circunstâncias, este campo pode interferir com o funcionamento de implantes médicos ativos ou passivos. Para diminuir o risco de ferimentos graves ou mortais, recomendamos que os portadores de implantes médicos consultem o seu médico e o fabricante do implante antes de utilizar este produto.
- Seja sempre cuidadoso e use o seu senso comum. Se não tiver a certeza sobre como utilizar o produto numa situação especial, pare e fale com o seu revendedor Husqvarna antes de continuar.
- Tenha em atenção que o utilizador é responsável pelos acidentes que incluem outras pessoas ou a respetiva propriedade.

- Mantenha o produto limpo. Certifique-se de que pode ler claramente os sinais e os autocolantes.
- O produto só pode ser utilizado por pessoas que lerem e compreenderem o conteúdo do manual do operador.
- Não deixe uma criança utilizar o produto.
- Mantenha as crianças afastadas da área de trabalho. Tem de estar sempre presente um adulto responsável.
- Não deixe que o produto seja utilizado por uma pessoa que não conhece as instruções.
- Monitorize sempre a utilização do produto por pessoas com diminuição da capacidade física ou mental. Tem de estar sempre presente um adulto responsável.
- Não utilize o produto se estiver cansado, doente ou sob a influência de álcool, drogas ou medicamentos. Estes têm um efeito negativo na sua visão, atenção, capacidade de discernimento ou controlo físico.
- Não utilize o produto se este apresentar algum defeito.
- Não altere este produto e não o utilize se houver a possibilidade de ter sido alterado por outros.
- Não altere o ajuste do controlo da velocidade do motor.

Segurança no local de trabalho



ATENÇÃO: Leia as instruções de aviso que se seguem antes de utilizar o produto.

- Retire objetos como ramos, galhos e pedras da área de trabalho antes de utilizar o produto.
- Os objetos que embatem no equipamento de corte podem ser projetados e causar danos a pessoas e objetos. Mantenha terceiros e animais a uma distância de segurança do produto.
- Nunca utilize o produto em más condições meteorológicas, como nevoeiro, chuva, ventos fortes, frio intenso e risco de trovoadas. A utilização do produto em más condições meteorológicas ou em localizações molhadas ou com humidade é cansativa. As más condições meteorológicas podem

causar condições perigosas, como superfícies escorregadias.

- Observe se há pessoas, objetos e situações que possam impedir o funcionamento seguro do produto.
- Observe se há obstáculos como raízes, pedras, ramos, buracos e valas. A relva longa pode ocultar obstáculos.
- Cortar relva em declives pode ser perigoso. Não utilize o produto em terrenos com um declive superior a 15°.
- Utilize o produto ao longo da face dos declives. Não se desloque para cima e para baixo.
- Tenha cuidado ao aproximar-se de esquinas com pouca visibilidade e de objetos que possam impedir uma boa visibilidade.

Segurança do trabalho



ATENÇÃO: Leia as instruções de aviso que se seguem antes de utilizar o produto.

- Utilize este produto apenas para cortar relva. Não é permitido utilizá-lo para outras tarefas.
- Use equipamento de proteção pessoal. Consulte *Equipamento de proteção pessoal na página 254*.
- Certifique-se de que sabe como desligar o motor rapidamente em caso de emergência.
- Nunca ligue o motor num espaço fechado ou perto de material inflamável. Os gases de escape do motor são quentes e podem conter faíscas causadoras de incêndios.
- Não utilize o produto, a menos que a lâmina e todas as coberturas estejam corretamente montadas. Uma lâmina montada incorretamente pode soltar-se e causar ferimentos pessoais.
- Certifique-se de que a lâmina não atinge objetos como pedras e raízes. Isto pode causar danos à lâmina e dobrar o eixo do motor. Um eixo dobrado provoca fortes vibrações e um elevado risco de a lâmina se soltar.
- Se a lâmina atingir um objeto ou ocorrerem vibrações, pare o produto imediatamente. Desligue o cabo de ignição da vela de ignição. Examine se o produto apresenta sinais de danos. Repare os danos ou solicite a reparação numa oficina autorizada.
- Nunca ligue o manípulo de travão do motor de modo permanente ao punho durante o arranque do motor.
- Coloque o produto numa superfície estável e plana e ligue-o. Certifique-se de que a lâmina não atinge o solo ou outros objetos.
- Mantenha-se sempre por trás do produto quando o operar.
- Mantenha todas as rodas no chão e as duas mãos sobre o punho quando utilizar o produto. Mantenha as mãos e os pés afastados das lâminas rotativas.
- Não incline o produto quanto ligar o motor.
- Tenha cuidado quando puxar o produto para trás.

- Nunca levante o produto quando ligar o motor. Se tiver de levantar o produto, desligue primeiro o motor e o cabo de ignição da vela de ignição.
- Não caminhe para trás quando operar o produto.
- Desligue o motor quando se deslocar em zonas sem relva, por exemplo caminhos de gravilha, pedra e asfalto.
- Não corra com o produto quando o motor está ligado. Caminhe sempre que operar o produto.
- Pare o motor antes de mudar a altura de corte. Nunca efetue ajustes com o motor ligado.
- Nunca deixe o produto fora de vista com o motor ligado. Pare o motor e certifique-se de que o equipamento de corte não roda.

Instruções de segurança para funcionamento

Equipamento de proteção pessoal



ATENÇÃO: Leia as instruções de aviso que se seguem antes de utilizar o produto.

- O equipamento de proteção pessoal não previne totalmente os ferimentos mas diminui a respetiva gravidade em caso de acidente. Obtenha ajuda junto do seu concessionário para selecionar o equipamento certo.
- Utilize protetores acústicos se o nível de ruído for superior a 85 dB.
- Use botas ou sapatos antiderrapantes resistentes. Não use calçado aberto nem ande com os pés descalços.
- Use calças compridas e resistentes.
- Use luvas de proteção sempre que necessário, por exemplo, ao fixar, examinar ou limpar o equipamento de corte.

Dispositivos de segurança no produto



ATENÇÃO: Leia as instruções de aviso que se seguem antes de utilizar o produto.

- Não utilize o produto com dispositivos de segurança defeituosos.
- Verifique regularmente os dispositivos de segurança. Se os dispositivos de segurança estiverem defeituosos, fale com a sua oficina Husqvarna autorizada.

Verificar a cobertura de corte

A cobertura de corte reduz as vibrações no produto e o risco de ferimentos causados pela lâmina.

- Examine a cobertura de corte para se certificar de que não existem danos, como fissuras.

Verificar o punho do travão do motor

O manípulo de travão do motor para o motor. Quando o manípulo de travão do motor é libertado, o motor para.

- Ligue o motor e depois solte o punho do travão do motor. Se o motor não parar em 3 segundos, solicite o ajuste do travão do motor numa oficina Husqvarna autorizada. (Fig. 15)

Silenciador

O silenciador mantém o mais baixo nível de ruído possível e afasta os gases de escape do utilizador.

Não utilize o produto se o silenciador estiver defeituoso ou estiver em falta. Um silenciador defeituoso aumenta o nível de ruído e o risco de incêndio.



ATENÇÃO: O silenciador fica muito quente durante e após a utilização e quando o motor funciona ao ralenti. Tenha cuidado junto de materiais inflamáveis e/ou vapores para evitar incêndios.

Segurança no manuseamento do combustível



ATENÇÃO: Leia as instruções de aviso que se seguem antes de utilizar o produto.

- Não ligue o produto se houver combustível ou óleo do motor sobre o produto. Remova o combustível/óleo indesejado e deixe o produto secar.
- Se derramar combustível na sua roupa, troque de roupa imediatamente.
- Não deixe que o combustível entre em contacto com o seu corpo, pois pode causar ferimentos. Se o combustível entrar em contacto com o seu corpo, use sabão e água para o remover.
- Não ligue o produto se o motor tiver uma fuga. Examine regularmente o motor quanto a fugas.
- Tenha cuidado com o combustível. O combustível é inflamável e os gases são explosivos e podem causar ferimentos ou morte.
- Não respire os gases do combustível, podem causar ferimentos. Certifique-se de que existe um fluxo de ar suficiente.
- Não fume perto de combustível ou do motor.
- Não coloque objetos quentes perto do combustível ou do motor.
- Não acrescente combustível com o motor em funcionamento.
- Certifique-se de que o motor está frio antes de reabastecer.

- Antes de reabastecer, abra lentamente a tampa do depósito de combustível e liberte a pressão com cuidado.
- Não adicione combustível ao motor numa área interior. O fluxo de ar insuficiente pode causar ferimentos ou morte devido a asfíxia ou monóxido de carbono.
- Aperte completamente a tampa de depósito de combustível. Se a tampa de depósito de combustível não estiver apertada, existe um risco de incêndio.
- Desloque o produto a uma distância mínima de 3 m (10 pés) da posição onde abasteceu o depósito antes de começar.
- Não encha totalmente o depósito de combustível. O calor provoca a expansão do combustível. Mantenha um espaço na parte superior do depósito de combustível.

Instruções de segurança para manutenção



ATENÇÃO: Leia as instruções de aviso que se seguem antes de utilizar o produto.

- Os gases de escape do motor contêm monóxido de carbono, um gás inodoro, tóxico e altamente perigoso. Não ligue o motor em zonas interiores ou em espaços fechados.
- Antes de proceder à manutenção do produto, desligue o motor e retire o cabo de ignição da vela de ignição.
- Use luvas de proteção quando realizar a manutenção do equipamento de corte. A lâmina é muito afiada e pode facilmente provocar cortes.
- A utilização de acessórios e a realização de alterações no produto que não sejam aprovadas pelo fabricante podem causar ferimentos graves ou morte. Não altere o produto. Utilize sempre acessórios que sejam aprovados pelo fabricante.
- Se a manutenção não for realizada de forma correta e regular, o risco de ferimentos e danos no produto aumenta.
- Realize apenas tarefas de manutenção indicadas neste manual do proprietário. Todas as outras operações de manutenção devem ser realizadas por uma oficina Husqvarna autorizada.
- Leve o produto regularmente a uma oficina Husqvarna autorizada para realizar a manutenção.
- Substitua as peças danificadas, gastas ou partidas.

Montagem

Montar a barra

1. Empurre o parafuso (A) através do punho (B), da anilha de plástico (C) e do suporte do punho (D). (Fig. 16)
2. Aperte totalmente a porca (E).
3. Empurre o parafuso (F) através da anilha (G) e do suporte do punho.
4. Aperte totalmente o botão (H).
5. Alinhe os orifícios da barra de direção com os orifícios da barra inferior e fixe os parafusos, as arruelas e os botões. Aperte os botões totalmente. (Fig. 17)
6. Fixe os cabos ao punho com os suportes de cabos. (Fig. 18)

Nota: Certifique-se de que a tensão nos cabos não é demasiado elevada. Uma tensão demasiado elevada pode provocar danos no cabo se o punho estiver dobrado na posição de transporte.

7. Coloque os cabos em redor do gancho na parte inferior do punho. (Fig. 19)

Ajustar a altura da barra

1. Desaperte os manípulos inferiores. (Fig. 20)
2. Retire o botão, a arruela e o parafuso do lado esquerdo e direito.
3. A barra pode ser definida em 2 alturas diferentes. Coloque o parafuso num dos 2 orifícios do lado esquerdo e direito. (Fig. 21)
4. Fixe os parafusos, as arruelas e os botões.
5. Desloque os botões para cima em direção ao punho, até pararem e ouvir um clique. Aperte os botões totalmente. (Fig. 22)

Colocar o produto na posição de transporte

1. Retire o coletor de relva.
2. Desaperte os manípulos do punho superior e dobre-o para baixo. (Fig. 23)
3. Desaperte os manípulos inferiores.
4. Desloque os botões para a extremidade inferior das ranhuras, dos lados esquerdo e direito do produto. (Fig. 24)
5. Dobre a barra do guiador para a frente. (Fig. 25)

Para colocar o produto na posição de funcionamento

1. Levante a barra de direção até que o punho inferior bloqueie na posição de funcionamento. (Fig. 26)
2. Desloque os botões para cima em direção ao punho, até pararem e ouvir um clique.
3. Aperte os botões totalmente. (Fig. 27)
4. Levante a parte superior da barra de direção.
5. Aperte os botões totalmente. (Fig. 28)

Montar o coletor de relva

1. Coloque a parte superior do coletor de relva na parte inferior do mesmo. (Fig. 29)
2. Fixe a estrutura do coletor de relva com grampos. (Fig. 30)
3. Levante a cobertura traseira.
4. Prenda os ganchos do coletor de relva à extremidade superior do chassi. (Fig. 31)
5. Coloque a parte inferior do coletor de relva no canal de descarga da relva.

Funcionamento

Introdução



ATENÇÃO: Antes de utilizar o produto, tem ler e compreender o capítulo sobre segurança.

Husqvarna Connect

A Husqvarna Connect é uma aplicação gratuita para o seu dispositivo móvel. A aplicação Husqvarna Connect disponibiliza funções alargadas para o seu produto Husqvarna:

- Informações alargadas sobre o produto.
- Informações sobre, e ajuda relacionada com peças e manutenção do produto.

Começar a utilizar Husqvarna Connect

1. Transfira a aplicação Husqvarna Connect para o seu dispositivo móvel.
2. Registe-se na aplicação Husqvarna Connect.
3. Siga os passos das instruções na aplicação Husqvarna Connect para ligar e registar o produto.

Antes de utilizar o produto

1. Leia o manual do utilizador com atenção e certifique-se de que compreende as instruções.
2. Examine o equipamento de corte para se certificar de que está corretamente montado e ajustado. Consulte o capítulo *Para examinar o equipamento de corte na página 259*.

3. Encha o depósito de combustível. Consulte o capítulo *Encher o depósito de combustível na página 257*.
4. Encha o depósito de combustível e verifique o nível do óleo. Consulte o capítulo *Para verificar o nível do óleo na página 259*.

Encher o depósito de combustível

Se disponível, utilize gasolina com base em alquilatos/ecológica. Se não estiver disponível gasolina com base em alquilatos/ecológica, utilize gasolina sem chumbo de boa qualidade ou gasolina com chumbo com um índice de octanas de pelo menos 91.



CUIDADO: Não utilize gasolina com um índice de octanas inferior a 91 RON. Caso contrário, pode causar danos no produto.



CUIDADO: Substitua o filtro de combustível anualmente ou com maior frequência se necessário. Está disponível um novo filtro de combustível no seu revendedor Husqvarna.



CUIDADO: Pare sempre o motor antes de abastecer com combustível.



CUIDADO: Não utilize líquidos de arranque pressurizados.

1. Abra a tampa do depósito de combustível devagar para libertar a pressão.
2. Encha lentamente com um recipiente de combustível. Se derramar combustível, retire-o com um pano e deixe o combustível restante secar. (Fig. 32)
3. Limpe bem à volta da tampa do depósito de combustível.
4. Aperte completamente a tampa de depósito de combustível. Se a tampa de depósito de combustível não estiver apertada, existe um risco de incêndio.
5. Desloque o produto a uma distância mínima de 3 m (10 pés) da posição onde abasteceu o depósito antes de começar.

Para definir a altura de corte

1. Mova a alavanca da altura de corte para trás para aumentar a altura de corte.
2. Mova a alavanca da altura de corte para a frente para diminuir a altura de corte. (Fig. 33)



CUIDADO: Não regule a altura de corte demasiado baixa. As lâminas podem entrar em contacto com o solo se a superfície do relvado não estiver nivelada.

Para ligar o produto

1. Certifique-se de que o cabo de ignição está ligado à vela de ignição.
2. Mantenha-se atrás do produto.
3. Segure o manípulo de travão do motor contra a barra de direção. (Fig. 34)
4. Segure o punho do cabo de arranque com a mão direita.
5. Puxe lentamente o cabo de arranque até sentir alguma resistência.
6. Puxe com força para fazer arrancar o motor.



ATENÇÃO: Não enrole o cabo de arranque na mão.

Utilizar a transmissão das rodas

- Empurre o manípulo de direção no sentido da barra de direção. (Fig. 35)
- Solte o manípulo de direção para desengatar a transmissão, por exemplo quando se aproximar de um obstáculo.
- Antes de puxar o produto para trás, desengate a transmissão e empurre o produto para a frente aproximadamente 10 cm.

Para desligar o produto

- Para parar apenas a transmissão, solte o manípulo de direção.
- Para parar o motor solte o manípulo de travão do motor.

Para obter bons resultados

- Utilize sempre uma lâmina bem afiada. Uma lâmina romba produz um resultado irregular e a superfície de corte da relva fica amarela. Uma lâmina afiada também gasta menos energia que uma lâmina romba.
- Não corte mais do que $\frac{1}{3}$ do comprimento da relva. Corte primeiro com a altura de corte alta. Examine o resultado e reduza a altura de corte para um nível aplicável. Caso a relva esteja muito comprida, avance lentamente e corte duas vezes, se necessário.
- Corte em diferentes direções de cada vez, para evitar a formação de linhas no relvado.

Manutenção

Introdução



ATENÇÃO: Antes de efetuar a manutenção, tem de ler e compreender o capítulo sobre segurança.

É necessária formação especial para realizar qualquer tarefa de manutenção ou reparação. Garantimos a disponibilidade de reparações e manutenção profissionais. Se o seu revendedor não for uma oficina autorizada, pergunte-lhes onde se situa a oficina autorizada mais próxima.

Esquema de manutenção



CUIDADO: Quando inclina o produto, certifique-se de que o filtro de ar está virado para cima e não contra o solo. Risco de danos no motor.

Os intervalos de manutenção são calculados a partir da utilização diária do produto. Os intervalos são alterados se o produto não for utilizado diariamente.

Relativamente às tarefas de manutenção identificadas com *, consulte as instruções em *Dispositivos de segurança no produto na página 254*.

| Manutenção | Diariamente | Mensalmente | A cada estação |
|---|-------------|-------------|----------------|
| Efetuar uma inspeção geral | X | | |
| Examinar o nível do óleo | X | | |
| Substituir o óleo (pela primeira vez após 5 horas de utilização e, posteriormente, após cada 50 horas de utilização) ¹³⁴ | | | X |
| Limpar o produto | X | | |
| Examinar o equipamento de corte | X | | |
| Examinar a cobertura de corte* | X | | |
| Examinar o punho do travão do motor * | X | | |
| Examinar o silenciador * | | X | |
| Examine a vela de ignição. Se for necessário, limpe ou substitua a vela de ignição | | | X |
| Examinar o filtro de ar | X | | |
| Limpe o filtro de ar ¹³⁵ | | X | |
| Substitua o filtro de ar | | | X |
| Examinar o sistema de combustível | | | X |
| Limpe as aletas de arrefecimento do cilindro | | X | |
| Examine e ajuste o cabo da embraiagem (LC 140SP) | | | X |

¹³⁴ Se o produto for utilizado com carga pesada ou em temperaturas ambiente elevadas, substitua o óleo de motor a cada 25 horas.

¹³⁵ Limpe com mais frequência em ambientes poeirentos ou quando existirem resíduos aéreos. Substitua o filtro de ar, se estiver muito sujo.

Para efetuar uma inspeção geral

- Certifique-se de que todas as porcas e os parafusos do produto estão apertados corretamente.

Para limpar o produto externamente

- Utilize uma escova para remover folhas, relva e sujidade.
- Certifique-se de que a entrada de ar na parte superior do motor não está bloqueada.
- Não utilize uma máquina de lavar à pressão para limpar o produto.
- Se utilizar água para limpar o produto, não verta água diretamente sobre o motor.

Para limpar a superfície interior da cobertura de corte

1. Esvazie o depósito de combustível.
2. Incline o produto. Certifique-se de que a vela de ignição aponta para cima.



CUIDADO: Se o produto for colocado com o filtro de ar para baixo, o motor pode sofrer danos.

3. Utilize uma mangueira para enxaguar a superfície interna da cobertura de corte com água.

Para examinar o equipamento de corte



ATENÇÃO: Para evitar o arranque acidental retire o cabo de ignição da vela de ignição.



ATENÇÃO: Use luvas de proteção quando realizar a manutenção do equipamento de corte. A lâmina é muito afiada e pode facilmente provocar cortes.

1. Examine se o equipamento de corte está danificado ou se apresenta fissuras. Substitua sempre um equipamento de corte danificado.
2. Olhe para a lâmina para verificar se está danificada ou romba.

Nota: É necessário estabilizar a lâmina depois de ser afiada. Afie, substitua e estabilize a lâmina numa oficina especializada. Se atingir um obstáculo que faça o produto parar, substitua a lâmina danificada. Um centro de assistência deve avaliar se a lâmina pode ser afiada ou se tem de ser substituída.

Para substituir a lâmina

1. Bloqueie a lâmina com um bloco de madeira. (Fig. 36)
2. Remova o parafuso da lâmina.
3. Retire a lâmina.

4. Examine o suporte e o parafuso da lâmina para verificar se existem danos.
5. Examine o eixo do motor para se certificar de que não se encontra dobrado.
6. Quando colocar a lâmina nova, aponte as extremidades inclinadas da lâmina na direção da cobertura de corte. (Fig. 37)
7. Certifique-se de que a lâmina está alinhada com a parte central do eixo do motor.
8. Bloqueie a lâmina com um bloco de madeira. Prenda a arruela de pressão e aperte o parafuso e a arruela com um binário de 45–60 Nm. (Fig. 38)
9. Faça rodar a lâmina com a mão de modo a assegurar-se de que roda livremente.



ATENÇÃO: Use luvas resistentes. A lâmina é muito afiada e pode facilmente provocar cortes.

10. Ligue o produto para testar a lâmina. Se a lâmina não estiver corretamente ligada, o produto vibra ou o resultado de corte não é satisfatório.

Para verificar o nível do óleo



CUIDADO: Um nível de óleo demasiado baixo causa danos no motor. Verifique o nível do óleo antes de ligar o produto.

1. Coloque o produto num piso nivelado.
2. Remova a tampa do depósito de óleo juntamente com a vareta de nível.
3. Limpe o óleo da vareta de nível.
4. Coloque a vareta de nível completamente dentro do depósito de óleo para obter uma imagem correta do nível do óleo.
5. Remova a vareta de nível.
6. Examine o nível do óleo na vareta de nível.
7. Se o nível do óleo estiver baixo, encha com óleo de motor e verifique novamente o nível do óleo.

Nota: Utilize um funil para evitar derrames.

Substituir o óleo de motor



ATENÇÃO: O óleo de motor está muito quente imediatamente após desligar o motor. Deixe o motor arrefecer antes de drenar o óleo de motor. Se derramar óleo de motor na pele, limpe com água e sabão.

(Fig. 39)

Nota: Utilize óleo para motores de 4 tempos. Certifique-se de que utiliza a viscosidade correta para a temperatura ambiente.

1. Utilize o produto até esvaziar o depósito de combustível.
2. Remova o cabo de ignição da vela de ignição.
3. Retire a tampa do depósito de óleo.
4. Drene o óleo de motor do depósito de óleo com uma bomba de óleo (acessório).
5. Encha com óleo de motor novo do tipo recomendado em *Especificações técnicas na página 262*.
6. Verifique o nível do óleo. Consulte *Para verificar o nível do óleo na página 259*.

Para limpar o filtro de espuma plástica

1. Retire a cobertura do filtro de ar e o filtro de espuma plástica.
2. Limpe o filtro de espuma plástica com água e sabão.
3. Lave o filtro de espuma plástica com água limpa.
4. Aperte a água do filtro de espuma plástica e deixe secar.



CUIDADO: Não utilize ar comprimido. Pode causar danos ao filtro de espuma plástica.

5. Lubrifique o filtro de espuma plástica com óleo de motor.
6. Prima um pano limpo contra o filtro de espuma plástica para remover óleo indesejado.
7. Volte a colocar o filtro de ar. Certifique-se de que o filtro de ar está completamente encostado ao suporte do filtro de ar.
8. Volte a colocar a cobertura do filtro de ar.

Examinar a vela de ignição



CUIDADO: utilize sempre o tipo de vela de ignição recomendado. Um tipo de vela de ignição incorreto pode provocar danos no produto.

- Examine a vela de ignição para verificar se o motor apresenta uma potência reduzida ou dificuldades de arranque, ou se não funciona corretamente ao ralenti.
- Para diminuir o risco de materiais indesejados nos eletrodos da vela de ignição, siga estas instruções:

- a) Assegure-se de que a rotação em vazio está corretamente regulada.
 - b) Certifique-se de que a mistura de combustível está correta.
 - c) Certifique-se de que o filtro de ar está limpo.
- Se a vela de ignição estiver suja, limpe-a e certifique-se de que a distância entre os eletrodos está correta; consulte *Especificações técnicas na página 262*. (Fig. 40)
 - Se for necessário, substitua a vela de ignição.

Para examinar o sistema de combustível

- Examine a tampa do depósito de combustível e o vedante da tampa do depósito de combustível para se certificar de que não existem danos.
- Examine a mangueira de combustível para se certificar de que não existem fugas. Se a mangueira de combustível estiver danificada, deverá ser substituída por uma oficina autorizada.

Ajustar o cabo da embraiagem (LC 140SP)

Nas situações que se seguem, é necessário diminuir o comprimento do cabo da embraiagem:

- A transmissão das rodas não é acionada quando puxa o manípulo de direção ou a alavanca de controlo da velocidade.
- O produto desloca-se lentamente quando a transmissão das rodas é acionada.

Nas situações que se seguem, é necessário aumentar o comprimento do cabo da embraiagem:

- O produto desloca-se quando a transmissão das rodas não é acionada.
- Ajuste o cabo da embraiagem.
 - a) Para diminuir o comprimento do cabo da embraiagem, rode o parafuso de ajuste para a esquerda.
 - b) Para aumentar o comprimento do cabo da embraiagem, rode o parafuso de ajuste para a direita. (Fig. 41)

Se continuar insatisfeito com a condução do produto depois do ajuste, contacte o seu revendedor com assistência técnica.

Resolução de problemas no motor

| Problema | Causa possível | Solução |
|--|---|---|
| O motor não arranca. | O cabo de ignição não está ligado corretamente. | Ligue o cabo de ignição à vela de ignição. |
| | O depósito de combustível está vazio. | Encha o depósito de combustível com o tipo de combustível correto. |
| | O combustível é antigo. | Drene o depósito de combustível e o carburador. Reabasteça com gasolina nova. |
| | Existe sujidade no carburador ou na linha de combustível. | Limpe o carburador e/ou o tubo de combustível. |
| | A vela de ignição está defeituosa. | Ajuste a distância entre os elétrodos, limpe ou substitua a vela de ignição. |
| | Existe combustível na vela de ignição. | Limpe a vela de ignição. |
| O motor não para. | O mecanismo de paragem está avariado. | Desligue o cabo de ignição da vela de ignição. Solicite a reparação do produto numa oficina autorizada. |
| O motor não funciona corretamente. | O cabo de ignição não está ligado corretamente. | Ligue o cabo de ignição à vela de ignição. |
| | Existe sujidade no tubo de combustível ou o período de utilização do combustível expirou. | Limpe a linha de combustível. Encha o depósito de combustível com combustível novo do tipo correto. |
| | Existe obstrução na tampa do depósito de combustível. | Limpe a tampa do depósito de combustível. |
| | Existe água ou sujidade no sistema de combustível. | Drene o depósito de combustível. Encha o depósito de combustível com combustível novo do tipo correto. |
| | O filtro de ar está sujo. | Limpe o filtro de ar. |
| | O carburador tem de ser ajustado. | Solicite o ajuste do carburador num revendedor de assistência técnica autorizado. |
| O motor fica demasiado quente. | O nível de óleo do motor é demasiado baixo. | Abasteça o óleo de motor. |
| | O fluxo de ar não é suficiente. | Limpe o filtro de ar e o alojamento do filtro de ar. |
| | O carburador tem de ser ajustado. | Solicite o ajuste do carburador num revendedor de assistência técnica autorizado. |
| Existe uma falha de ignição no motor quando este funciona a alta velocidade. | A distância entre os elétrodos na vela de ignição é demasiado pequena. | Ajuste a distância entre os elétrodos. |

| Problema | Causa possível | Solução |
|---|--|---|
| Ruídos invulgares do motor com carga normal. | Tipo incorreto de gasolina. | Drene o depósito de combustível e o carburador. Reabasteça com gasolina nova. Consulte <i>Encher o depósito de combustível na página 257</i> . Se o problema persistir, contacte o seu revendedor de assistência local. |
| O motor não funciona corretamente ao ralenti. | A vela de ignição está suja, apresenta defeito ou a distância entre os eletrodos é demasiado grande. | Ajuste a distância entre os eletrodos ou substitua a vela de ignição. |
| | O carburador tem de ser ajustado. | Ajuste o carburador. |
| | O filtro de ar está sujo. | Limpe o filtro de ar. |

Transporte, armazenamento e eliminação

Transporte e armazenamento

- Para o transporte e armazenamento do produto e do combustível, certifique-se de que não existem fugas ou fumos. Faíscas ou chamas abertas, por exemplo de dispositivos elétricos ou mesmo caldeiras, podem causar um incêndio.
- Utilize recipientes aprovados para o transporte e armazenamento de combustível.
- Esvazie o depósito de combustível antes de armazenar o produto durante um longo período de tempo. Elimine o combustível numa localização de eliminação aplicável
- Fixe o produto de forma segura durante o transporte para evitar danos e acidentes.

- Mantenha o produto numa área trancada para impedir o acesso a crianças ou pessoas que não disponham de aprovação.
- Mantenha o produto num local seco e sem gelo.

Eliminação

- Respeite os requisitos de reciclagem locais e os regulamentos aplicáveis.
- Elimine todos os produtos químicos, como óleo de motor ou combustível, num centro de assistência ou numa localização de eliminação aplicável.
- Quando o produto deixar de ser utilizado, envie-o para um revendedor Husqvarna ou elimine-o numa localização de reciclagem.

Especificações técnicas

Especificações técnicas

| | LC 140P | LC 140SP |
|-------------------------------|--|--|
| Motor | | |
| Marca | Husqvarna | Husqvarna |
| Nome do modelo do motor | HS 123A | HS 123A |
| Tipo de motor | Monocilíndrico, 4 tempos, refrigeração a ar forçado, OHV | Monocilíndrico, 4 tempos, refrigeração a ar forçado, OHV |
| Deslocamento, cm ³ | 123 | 123 |
| Velocidade, rpm | 3000 | 3000 |

| | LC 140P | LC 140SP |
|---|---------------------------|---------------------------|
| Potência nominal do motor, kW ¹³⁶ | 1,95 | 1,95 |
| Sistema de ignição | | |
| Vela de ignição | Husqvarna HQT-7 | Husqvarna HQT-7 |
| Distância entre os eletrodos, mm | 0,7-0,8 | 0,7-0,8 |
| Sistema de lubrificação e combustível | | |
| Tipo de lubrificação do motor | Salpico | Salpico |
| Capacidade do depósito de combustível, litros | 0,9 | 0,9 |
| Volume do depósito de óleo, litros | 0,5 | 0,5 |
| Óleo do motor ¹³⁷ | Husqvarna SAE 30 | Husqvarna SAE 30 |
| Peso | | |
| Com depósitos vazios, kg | 25,2 | 26,8 |
| Emissões de ruído¹³⁸ | | |
| Nível de potência sonora, medido, dB(A) | 93 | 93 |
| Nível de potência sonora, garantido L _{WA} dB (A) | 95 | 95 |
| Níveis acústicos¹³⁹ | | |
| Nível de pressão sonora ao nível do ouvido do operador, dB(A) | 81 | 81 |
| Níveis de vibração¹⁴⁰ | | |
| Vibrações na barra de direção, m/s ² | 5,6 | 7,6 |
| Equipamento de corte | | |
| Altura de corte, mm | 25-75 | 25-75 |
| Largura de corte, mm | 400 | 400 |
| Sistema de corte | Recolha/descarga traseira | Recolha/descarga traseira |
| Lâminas – padrão | Recolha 5873863-10 | Recolha 5873863-10 |
| Capacidade do coletor de relva, litros | 50 | 50 |
| Conduzir | | |

¹³⁶ A potência nominal indicada para o motor é a potência líquida média (a um valor de rpm especificado) de um motor de produção típico do modelo de motor avaliado de acordo com a norma J1349/ISO1585 da SAE. Motores produzidos em série poderão divergir deste valor. A potência real do motor instalado no produto final dependerá da velocidade de operação, das condições ambientais e de outros parâmetros.

¹³⁷ Se o óleo SAE-30 for utilizado a temperaturas inferiores a +5 ° C, existe o risco de não lubrificar suficientemente o motor. Isto pode provocar danos no motor. Consulte a seção *Substituir o óleo de motor na página 259* para saber qual o óleo correto para temperaturas baixas.

¹³⁸ Emissões de ruído para as imediações, medidas sob forma de potência sonora (L_{WA}) em conformidade com a diretiva da CE 2000/14/CE.

¹³⁹ Os dados comunicados relativamente ao nível de pressão de ruído têm uma dispersão estatística típica (desvio padrão) de 1,2 dB (A).

¹⁴⁰ Os dados comunicados relativamente ao nível de vibração têm uma dispersão estatística típica (desvio padrão) de 0,2 m/s².

| | LC 140P | LC 140SP |
|------------------------------------|----------------|-----------------|
| Velocidade de autodeslocação, km/h | - | 4 |

Declaração CE de conformidade

Declaração CE de conformidade

A **Husqvarna AB**, SE-561 82 Huskvarna, Suécia, tel: +46-36-146500, declara que o **corta-relva Husqvarna LC 140P, LC 140SP** de 2020 e dos anos posteriores cumpre as disposições constantes na DIRETIVA DO CONSELHO:

- de 8 de junho de 2011 relativa à "restrição do uso de determinadas substâncias perigosas" **2011/65/UE**
- de 17 de maio de 2006 "referente a máquinas" **2006/42/CE**
- de 26 de fevereiro de 2014 "referente à compatibilidade eletromagnética" **2014/30/UE**
- de 8 de maio de 2000 "referente a emissões de ruído para o ambiente" **2000/14/CE**

Para mais informações relativas a emissões de ruído, consulte as Especificações técnicas.

Foram respeitadas as seguintes normas:

EN ISO 5395-1:2013, EN ISO 5395-1:2013/A1, EN ISO 5395-2:2013, EN ISO 5395-2:2013/A1:2016, EN ISO 5395-2:2013/A2:2017, EN ISO 14982:2009

Salvo indicação em contrário, as normas apresentadas acima são as versões publicadas mais recentes.

Entidade competente: **0036, TÜV SÜD Industrie Service GmbH, Westendstrasse 199, 80686 München, Germany** avaliou a conformidade de acordo com o Anexo VI da Diretiva 2000/14/CE.

Huskvarna, 2020-10-20



Claes Losdal, Chefe de Desenvolvimento/Produtos de Jardinagem (representante autorizado da Husqvarna AB e responsável pela documentação técnica)

CUPRINS

| | | | |
|-------------------|-----|---|-----|
| Introducere..... | 266 | Depanarea motorului..... | 274 |
| Siguranță..... | 267 | Transportul, depozitarea și eliminarea..... | 275 |
| Asamblarea..... | 270 | Date tehnice..... | 276 |
| Funcționarea..... | 270 | Declarație de conformitate CE..... | 278 |
| Întreținerea..... | 272 | | |

Introducere

Descrierea produsului

Produsul este o mașină rotativă pentru tuns gazonul controlată de un operator-pieton. Iarba se adună într-un colector de iarbă. Demontați colectorul de iarbă pentru a efectua descărcarea ierbii prin partea posterioară a mașinii.

Prezentarea generală a produsului

(Fig. 1)

1. Mâner/ghidon
2. Manetă de transmisie (LC 140SP)
3. Mâner pentru șnurul de pornire
4. Colectorul de iarbă
5. Rezervor de carburant
6. Filtru de aer
7. Bujie
8. Capac de tăiere
9. Amortizor de zgomot
10. Bușon rezervor de ulei
11. Pârghie pentru înălțimea de tăiere
12. Capac posterior
13. Manetă frână de motor
14. Simboluri
15. Ansamblu mâner inferior
16. Mâner inferior
17. Manualul operatorului
18. Pâlnie pentru ulei

Simbolurile de pe produs

- (Fig. 2) **AVERTISMENT!** Acționați cu grijă și utilizați corect produsul. Acest produs poate cauza vătămări corporale grave sau decesul operatorului sau al altor persoane.
- (Fig. 3) Citiți cu atenție manualul operatorului și asigurați-vă că înțelegeți instrucțiunile înainte de utilizare.
- (Fig. 4) Feriți-vă de obiectele proiectate sau care ricoșează.

Domeniul de utilizare

Utilizați produsul pentru a tăia iarba. Nu utilizați produsul pentru alte sarcini.

- (Fig. 5) Țineți persoanele și animalele la o distanță sigură de zona de lucru.
- (Fig. 6) Avertisment: Feriți-vă mâinile și picioarele de cuțitul rotativ.
- (Fig. 7) Avertisment: Feriți-vă mâinile și picioarele de piesele rotative.
- (Fig. 8) Oprii motorul și scoateți cablul de alimentare a aprinderii înainte de a efectua lucrări de întreținere sau reparații.
- (Fig. 9) Acest produs este în conformitate cu directivele UE aplicabile.
- (Fig. 10) Emisii de zgomot în mediu conform Directivei Comunității Europene. Nivelul de emisii al produsului este specificat în capitolul Date tehnice și pe etichetă.
- (Fig. 11) Pericol de incendiu.
- (Fig. 12) Nu inhalați gazele de eșapament. Gazele de eșapament ale motorului conțin monoxid de carbon, care este un gaz inodor, toxic și deosebit de periculos. Nu porniți motorul în interior sau în spații închise.
- (Fig. 13) Suprafață fierbinte.
- (Fig. 14) Umpleți motorul cu ulei înainte de a porni produsul.

Nota: Alte simboluri/autocolante de pe produs se referă la cerințele de certificare pentru unele zone comerciale.

Emisiile de Euro V



AVERTISMENT: În urma modificării neautorizate a motorului, este anulată aprobarea de tip UE pentru acest produs.

Răspunderea pentru produs

Conform prevederilor legislației privind răspunderea pentru produs, nu ne asumăm răspunderea pentru daunele cauzate de produsul nostru dacă:

- produsul este reparat necorespunzător;
- produsul este reparat cu piese care nu provin de la producător sau care nu sunt aprobate de acesta;
- produsul are un accesoriu care nu provine de la producător sau care nu este aprobat de acesta;
- produsul nu este reparat la un centru de service omologat sau de o autoritate omologată;

Siguranță

Definiții privind siguranța

Avertismentele, atenționările și notele sunt utilizate pentru a desemna părți foarte importante din manual.



AVERTISMENT: Se utilizează dacă există risc de vătămare sau de deces pentru operator sau pentru trecători, în cazul în care instrucțiunile din manual nu sunt respectate.



ATENȚIE: Se utilizează dacă există un risc de deteriorare a produsului, a altor materiale sau a zonelor învecinate, dacă instrucțiunile din manual nu sunt respectate.

Nota: Se utilizează pentru a furniza mai multe informații care sunt necesare într-o situație dată.

Instrucțiuni generale de siguranță



AVERTISMENT: Înainte de a utiliza produsul, citiți instrucțiunile de avertizare de mai jos.

- Acest produs este periculos dacă este utilizat incorect sau dacă nu sunteți atent. Nerespectarea instrucțiunilor de siguranță poate cauza vătămări corporale sau decesul.
- În timpul funcționării, acest produs produce un câmp electromagnetic. În anumite condiții, acest câmp poate interfera cu implanturile medicale active sau pasive. Pentru a reduce riscul de vătămări corporale grave sau mortale, recomandăm persoanelor cu implanturi medicale să consulte medicul și producătorul implantului medical înainte de a utiliza acest produs.
- Procedați întotdeauna cu atenție și folosiți-vă judecata. Dacă nu sunteți sigur cum să utilizați produsul într-o situație specială, opriți-l și adresați-vă distribuitorului Husqvarna înainte de a continua.
- Rețineți că operatorul poartă responsabilitatea privind orice accidente care implică alte persoane sau bunurile acestora.

- Păstrați produsul curat. Asigurați-vă că puteți citi clar semnele și etichetele.
- Nu permiteți niciunei persoană să utilizeze produsul dacă aceasta nu a citit și înțeles conținutul manualului operatorului.
- Nu permiteți copiilor să utilizeze produsul.
- Țineți copii departe de zona de lucru. Un adult responsabil trebuie să fie prezent în permanență.
- Nu permiteți unei persoane care nu cunoaște instrucțiunile să utilizeze produsul.
- Monitorizați permanent o persoană cu capacități fizice sau mentale reduse care utilizează produsul. Un adult responsabil trebuie să fie prezent în permanență.
- Nu utilizați produsul atunci când sunteți obosit, bolnav sau dacă ați consumat alcool, droguri sau ați luat medicamente. Acestea vă afectează negativ acuitatea vizuală, atenția, coordonarea și judecata.
- Nu utilizați produsul dacă este defect.
- Nu modificați acest produs și nu îl utilizați dacă este posibil să fi fost modificat de către alte persoane.
- Nu modificați setarea controlului turației motorului.

Siguranța zonei de lucru



AVERTISMENT: Înainte de a utiliza produsul, citiți instrucțiunile de avertizare de mai jos.

- Înainte de a utiliza produsul, îndepărtați obiectele precum crengile, rămurelele și pietrele din zona de lucru.
- Obiectele care se lovesc de echipamentul de tăiere pot fi aruncate, provocând vătămări corporale și pagube materiale. Țineți trecătorii și animalele la o distanță sigură de produs.
- Nu utilizați produsul pe vreme rea, de exemplu pe ceață, ploaie, vânt puternic, la temperaturi exterioare foarte scăzute și atunci când există riscul de descărcări electrice. Utilizarea produsului pe vreme nefavorabilă sau pe teren umed sau inundat este obositoare. Vremea nefavorabilă poate conduce la apariția de situații periculoase, de exemplu suprafețe alunecoase.

- Verificați dacă există persoane, obiecte și situații care pot împiedica funcționarea în siguranță a produsului.
- Atenție la obstacole, precum rădăcini, pietre, ramuri, gropi și șanțuri. În iarba înaltă se pot ascunde obstacole.
- Tunderea ierbii pe pante poate fi periculoasă. Nu utilizați produsul pe pante cu înclinație mai mare de 15°.
- Utilizați produsul de-a curmezișul pantei. Nu efectuați mișcări în sus și în jos.
- Procedeți cu atenție atunci când vă apropiați de colțuri ascunse și de obiecte care blochează vederea.

Siguranța în lucru



AVERTISMENT: Înainte de a utiliza produsul, citiți instrucțiunile de avertizare de mai jos.

- Utilizați acest produs numai pentru tunderea gazonului. Nu este permisă utilizarea acestui produs pentru alte lucrări.
- Utilizați echipamentul personal de protecție. Consultați *Echipament de protecție personală la pagina 268*.
- Asigurați-vă că știți cum să opriți rapid motorul în caz de urgență.
- Nu porniți niciodată motorul într-un spațiu închis sau lângă materiale inflamabile. Gazele de eșapament de la motor sunt fierbinți și pot conține scântei care pot cauza un incendiu.
- Nu utilizați produsul decât dacă au fost montate corect cușitul și toate capacele. Un cușit montat incorect se poate slăbi, provocând vătămări corporale.
- Asigurați-vă că lama nu lovește obiecte, precum pietre și rădăcini. Acestea pot deteriora cușitul și pot îndoii arborele motorului. Un ax îndoit poate genera vibrații puternice și prezintă un risc foarte ridicat de slăbire a cuștului.
- Dacă lama lovește un obiect sau dacă observați vibrații, opriți produsul imediat. Decuplați cablul de alimentare a aprinderii de la bujie. Examinați dacă produsul este deteriorat. Reparați defecțiunile sau solicitați unui agent de service autorizat să le repare.
- Nu fixați niciodată de mâner maneta frânei de motor, în mod permanent, atunci când motorul este pornit.
- Poziționați produsul pe o suprafață stabilă, plană și porniți-l. Asigurați-vă că lama nu atinge solul sau alte obiecte.
- Stați întotdeauna în spatele produsului atunci când îl utilizați.
- Mențineți toate roțile pe sol și țineți ambele mâini pe mâner când utilizați produsul. Feriți-vă mâinile și picioarele de cușitele rotative.
- Nu înclinați produsul când motorul este pornit.
- Fiți atent atunci când trageți produsul în spate.

- Nu ridicați niciodată produsul când motorul este pornit. Dacă trebuie să ridicați produsul, mai întâi opriți motorul și deconectați cablul de alimentare a aprinderii de la bujie.
- Nu mergeți cu spatele în timp ce utilizați produsul.
- Opriți motorul când traversați zone fără iarbă, de exemplu alei din pietriș, piatră și asfalt.
- Nu alergați cu produsul când motorul este pornit. Întotdeauna mergeți în timp ce utilizați produsul.
- Opriți motorul înainte de a schimba înălțimea de tăiere. Nu efectuați niciodată reglări cu motorul pornit.
- Nu lăsați niciodată produsul să iasă din câmpul vizual cu motorul pornit. Opriți motorul și asigurați-vă că echipamentul de tăiere nu se rotește.

Instrucțiuni de siguranță pentru utilizare

Echipament de protecție personală



AVERTISMENT: Înainte de a utiliza produsul, citiți instrucțiunile de avertizare de mai jos.

- Echipamentele de protecție personală nu pot elimina complet riscul de rănire, însă pot reduce gravitatea rănilor în cazul unui accident. Distribuitorul vă poate ajuta să alegeți echipamentul corect.
- Utilizați echipament de protecție a auzului dacă nivelul de zgomot este mai mare de 85 dB.
- Utilizați întotdeauna ghetă sau pantofi pentru regim greu de lucru, cu rezistență la alunecare. Nu folosiți pantofi decupați și nu operați produsul desculți.
- Utilizați pantaloni lungi, groși.
- Purtați mănuși de protecție atunci când este necesar, de exemplu atunci când conectați, inspectați sau curățați echipamentul de tăiere.

Dispozitivele de siguranță de pe produs



AVERTISMENT: Înainte de a utiliza produsul, citiți instrucțiunile de avertizare de mai jos.

- Nu utilizați un produs cu dispozitive de siguranță deteriorate.
- Verificați regulat dispozitivele de siguranță. Dacă dispozitivele de siguranță sunt defecte, contactați agentul de service Husqvarna.

Verificarea capacului de tăiere

Capacul de tăiere reduce vibrațiile în produs și scade riscul de rănire de la cușit.

- Examinați capacul de tăiere și asigurați-vă că nu există defecte, precum fisuri.

Verificarea manetei frânei de motor

Maneta frânei de motor oprește motorul. Când maneta frânei de motor este eliberată, motorul se oprește.

- Porniți motorul, apoi eliberați maneta frânei de motor. Dacă motorul nu se oprește în 3 secunde, solicitați unui agent de service autorizat Husqvarna să regleze frâna de motor. (Fig. 15)

Amortizor de zgomot

Amortizorul de zgomot este proiectat pentru a reduce la minimum nivelul de zgomot și a dirija gazele de eșapament departe de utilizator.

Nu utilizați produsul dacă amortizorul de zgomot nu este instalat sau este defect. Un amortizor de zgomot defect determină creșterea nivelului de zgomot și a pericolului de incendiu.



AVERTISMENT: Amortizorul de zgomot atinge temperaturi înalte în timpul utilizării, imediat după oprire și atunci când motorul funcționează la turația de mers în gol. Procedați cu atenție în apropierea materialelor și/sau gazelor inflamabile pentru a preveni incendiile.

Reguli de siguranță referitoare la carburant



AVERTISMENT: Înainte de a utiliza produsul, citiți instrucțiunile de avertizare de mai jos.

- Nu porniți produsul dacă pe acesta se află carburant sau ulei pentru motor. Îndepărtați carburantul/uleiul nedorit și lăsați produsul să se usuce.
- Dacă vărsați carburantul pe îmbrăcăminte, schimbați imediat hainele.
- Nu vărsați carburantul pe corp - poate provoca vătămări corporale. Dacă vărsați carburant pe corp, utilizați apă și săpun pentru a elimina carburantul.
- Nu porniți produsul dacă motorul prezintă scurgeri. Examinați cu regularitate motorul, pentru a identifica eventuale scurgeri.
- Manipulați cu atenție carburantul. Carburantul este inflamabil, vaporii sunt explozivi și pot cauza vătămări corporale sau deces.
- Nu respirați vaporii de carburant, se pot produce vătămări corporale. Asigurați-vă că fluxul de aer este suficient.
- Nu fumați în apropierea carburantului sau a motorului.
- Nu amplasați obiecte calde în apropierea carburantului sau a motorului.
- Nu adăugați carburant atunci când motorul este pornit.

- Asigurați-vă că motorul este rece înainte de a realimenta.
- Înainte de a realimenta, deschideți lent capacul rezervorului de carburant și eliberați cu atenție presiunea.
- Nu adăugați carburant la motor într-o zonă interioară. Un flux de aer insuficient poate cauza vătămare corporală sau deces din cauza asfrierii sau a monoxidului de carbon.
- Strângeți până la capăt capacul rezervorului de carburant. Dacă acesta nu este strâns, există pericol de incendiu.
- Înainte de pornire, mutați produsul la o distanță de minimum 3 m/10 ft față de poziția unde ați umplut rezervorul.
- Nu umpleți complet rezervorul de carburant. Căldura provoacă dilatarea carburantului. Păstrați un gol în partea de sus a rezervorului de carburant.

Instrucțiuni de siguranță pentru întreținere



AVERTISMENT: Înainte de a utiliza produsul, citiți instrucțiunile de avertizare de mai jos.

- Gazele de eșapament ale motorului conțin monoxid de carbon, care este un gaz inodor, toxic și deosebit de periculos. Nu porniți motorul în interior sau în spații închise.
- Înainte de a efectua întreținerea produsului, opriți motorul și deconectați cablul de alimentare a aprinderii de la bujie.
- Purtați mănuși de protecție când efectuați întreținerea echipamentului de tăiere. Cuițul este foarte ascuțit și vă puteți tăia foarte ușor.
- Accesoriile și modificările aduse produsului care nu sunt autorizate de către producător pot provoca vătămări corporale grave sau fatale. Nu modificați produsul. Utilizați întotdeauna numai accesorii omologate de producător.
- Dacă întreținerea nu se efectuează corect și periodic, crește pericolul de vătămări corporale și de deteriorare a produsului.
- Efectuați numai operațiile de întreținere care se regăsesc în acest manual al proprietarului. Toate celelalte operații de service trebuie efectuate de către un agent de service autorizat Husqvarna.
- Solicitați unui agent de service autorizat Husqvarna să efectueze în mod regulat operații de service la produs.
- Înlocuiți piesele deteriorate, uzate sau defecte.

Asamblarea

Asamblarea mânerului

1. Împingeți șurubul (A) prin mâner (B), șaiba de plastic (C) și consola de susținere a mânerului (D). (Fig. 16)
2. Strângeți complet piulița (E).
3. Împingeți șurubul (F) prin șaibă (G) și consola de susținere a mânerului.
4. Strângeți complet rozeta (H).
5. Aliniați orificiile din mâner cu orificiile din mânerul inferior și atașați șuruburile, șaibele și rozetele. Strângeți rozetele până la capăt. (Fig. 17)
6. Atașați cablurile la mâner cu ajutorul suporturilor pentru cabluri. (Fig. 18)

Nota: Asigurați-vă că tensionarea cablurilor nu este exagerată. O tensiune prea înaltă poate cauza deteriorarea cablului dacă mânerul este pliat în poziția pentru transport.

7. Puneți cablurile în jurul cârligului din partea inferioară a mânerului. (Fig. 19)

Reglarea înălțimii mânerului

1. Slăbiți butoanele inferioare. (Fig. 20)
2. Demontați butonul, șaiba și șurubul din partea stângă și din partea dreaptă.
3. Înălțimea mânerului poate fi reglată în 2 poziții diferite. Puneți șurubul în una din cele 2 găuri din partea stângă și din partea dreaptă. (Fig. 21)
4. Montați șuruburile, șaibele și rozetele.
5. Deplasați butoanele în sus în direcția mânerului, până când acestea se opresc și se aude un clic. Strângeți rozetele până la capăt. (Fig. 22)

Așezați produsul în poziția pentru transport

1. Scoateți colectorul de iarbă.

2. Slăbiți butoanele de pe mânerul superior și pliați mânerul în jos. (Fig. 23)
3. Slăbiți butoanele inferioare.
4. Deplasați butoanele spre capătul inferior al canelurilor de pe partea stângă și de pe partea dreaptă a produsului. (Fig. 24)
5. Pliati mânerul în față. (Fig. 25)

Așezarea produsului în poziția de funcționare

1. Ridicați mânerul până când mânerul inferior se blochează în poziția de operare. (Fig. 26)
2. Deplasați butoanele în sus în direcția mânerului, până când acestea se opresc și se aude un clic.
3. Strângeți butoanele până la capăt. (Fig. 27)
4. Ridicați partea superioară a mânerului.
5. Strângeți rozetele până la capăt. (Fig. 28)

Pentru asamblarea colectorului de iarbă

1. Așezați partea superioară a colectorului de iarbă peste partea inferioară a colectorului de iarbă. (Fig. 29)
2. Prindeți cadrul colectorului de iarbă cu ajutorul clemelor. (Fig. 30)
3. Ridicați capacul posterior.
4. Prindeți cârligele de pe colectorul de iarbă de marginea superioară a carcasei. (Fig. 31)
5. Introduceți partea inferioară a colectorului de iarbă în canalul de evacuare a ierbii.

Funcționarea

Introducere



AVERTISMENT: Înainte de a utiliza produsul, trebuie să citiți și să înțelegeți capitolul privind siguranța.

Husqvarna Connect

Husqvarna Connect este o aplicație gratuită pentru dispozitivul dvs. mobil. Aplicația Husqvarna Connect vă oferă funcții extinse pentru produsul dvs. Husqvarna:

- Informații pe larg despre produs.

- Informații despre piese pentru produse și service și asistență pentru acestea.

Pentru a începe să utilizați Husqvarna Connect

1. Descărcați aplicația Husqvarna Connect pe dispozitivul dvs. mobil.
2. Înregistrați-vă în aplicația Husqvarna Connect.
3. Urmați pașii cu instrucțiuni din aplicația Husqvarna Connect pentru a conecta și înregistra produsul.

Înainte de a utiliza produsul

1. Citiți cu atenție manualul operatorului și asigurați-vă că înțelegeți instrucțiunile.
2. Examinați echipamentul de tăiere și asigurați-vă că este corect montat și reglat. Consultați *Pentru a examina echipamentul de tăiere la pagina 273*.
3. Umpleți rezervorul de carburant. Consultați *Alimentarea cu carburant la pagina 271*.
4. Umpleți rezervorul de ulei și verificați nivelul uleiului. Consultați *Pentru a verifica nivelul de ulei la pagina 273*.

Alimentarea cu carburant

Dacă aveți la dispoziție, utilizați benzină cu emisii scăzute/carburant alchilat. Dacă benzina cu emisii scăzute/carburantul alchilat nu este disponibil/ă, folosiți benzină fără plumb sau benzină cu plumb de bună calitate, cu o cifră octanică nu mai mică de 91.



ATENȚIE: Nu utilizați benzină cu o cifră octanică mai mică de 91 RON. Aceasta poate deteriora produsul.



ATENȚIE: Înlocuiți filtrul de carburant anual sau mai des dacă este necesar. Găsiți filtre noi de carburant la distribuitorul Husqvarna.



ATENȚIE: Opriți întotdeauna motorul înainte de alimentarea cu carburant.



ATENȚIE: Nu utilizați lichide pentru pornire sub presiune.

1. Deschideți încet capacul rezervorului de carburant pentru a elibera presiunea.
2. Umpleți încet, cu o canistră de carburant. Dacă vărsați carburant, îndepărtați-l cu o cârpă și lăsați-l să se usuce. (Fig. 32)
3. Curățați suprafața din jurul capacului rezervorului de carburant.
4. Strângeți până la capăt capacul rezervorului de carburant. Dacă acesta nu este strâns, există pericol de incendiu.
5. Înainte de pornire, mutați produsul la o distanță de minimum 3 m/10 ft față de poziția unde ați umplut rezervorul.

Pentru a seta înălțimea de tăiere

1. Deplasați spre spate pârghia înălțimii de tăiere pentru a mări înălțimea de tăiere.

2. Deplasați înainte pârghia înălțimii de tăiere pentru a reduce înălțimea de tăiere. (Fig. 33)



ATENȚIE: Nu setați o înălțime de tăiere prea scăzută. Cuțitele pot atinge solul dacă suprafața gazonului nu este plană.

Pornirea produsului

1. Cablul de alimentare a aprinderii trebuie să fie conectat la bujie.
2. Stați în spatele produsului.
3. Țineți maneta frânei de motor lipită de mâner. (Fig. 34)
4. Țineți mânerul șnurului de pornire cu mâna dreaptă.
5. Trageți încet de șnurul de pornire până ce simțiți o anumită rezistență.
6. Trageți cu forță pentru a porni motorul.



AVERTISMENT: Nu răsuciți cablul de pornire în jurul mâinii.

Utilizarea transmisiei pe roți

- Împingeți maneta de transmisie în direcția mânerului. (Fig. 35)
- Eliberați maneta de transmisie pentru a dezactiva transmisia, de exemplu atunci când vă apropiați de un obstacol.
- Înainte de a trage produsul în spate, decuplați transmisia și împingeți produsul înainte cu aproximativ 10 cm.

Pentru a opri produsul

- Pentru a opri doar transmisia, eliberați maneta de transmisie.
- Pentru a opri motorul, eliberați maneta frânei de motor.

Pentru a obține rezultate bune

- Utilizați întotdeauna o lamă ascuțită. O lamă tocită oferă rezultate neregulate, iar suprafața tăiată a ierbii se îngălbenește. De asemenea, o lamă ascuțită folosește mai puțină energie decât o lamă tocită.
- Nu tăiați niciodată mai mult de 1/3 din lungimea ierbii. Inițial, tundeți cu o înălțime mare de tăiere. Verificați rezultatul și coborâți înălțimea de tăiere la un nivel convenabil. Dacă iarba este foarte înaltă, deplasați aparatul încet și tundeți de două ori, dacă este necesar.
- Tăiați de fiecare dată în altă direcție, pentru a preveni formarea de dungi pe gazon.

Întreținerea

Introducere



AVERTISMENT: Înainte de a efectua orice operații de întreținere, citiți și înțelegeți capitolul privind siguranța.

Toate lucrările de service și de reparații la produs necesită instruire specială. Garantăm disponibilitatea unor lucrări profesionale de reparații și service. Dacă distribuitorul dvs. nu este agent de service, solicitați acestuia informații cu privire la cel mai apropiat agent de service.

Program de întreținere



ATENȚIE: Asigurați-vă că filtrul de aer este ridicat și nu este lipit de sol când înclinați produsul. Pericol de defectare a motorului.

Intervalele de întreținere sunt calculate având în vedere o utilizare zilnică a produsului. Intervalele se modifică dacă produsul nu este utilizat zilnic.

Pentru operațiunile de întreținere marcate cu *, consultați instrucțiunile din *Dispozitivele de siguranță de pe produs la pagina 268*.

| Întreținerea | Zilnic | Lunar | În fiecare sezon |
|---|--------|-------|------------------|
| Efectuați o inspecție generală | X | | |
| Examinați nivelul uleiului | X | | |
| Schimbați uleiul (prima dată după 5 ore de utilizare, apoi la fiecare 50 ore de utilizare) ¹⁴¹ | | | X |
| Curățați produsul | X | | |
| Examinați echipamentul de tăiere | X | | |
| Examinați capacul de tăiere * | X | | |
| Examinați maneta frânei de motor * | X | | |
| Examinați amortizorul de zgomot * | | X | |
| Verificați bujia. Curățați sau înlocuiți bujia dacă este necesar | | | X |
| Examinați filtrul de aer | X | | |
| Curățați filtrul de aer ¹⁴² | | X | |
| Schimbați filtrul de aer | | | X |
| Examinați sistemul de alimentare cu carburant | | | X |
| Curățați lamelele de răcire de pe cilindru | | X | |
| Examinați și reglați cablul de ambreiaj (LC 140SP) | | | X |

Pentru a efectua o inspecție generală

- Asigurați-vă că toate șuruburile și piulițele produsului sunt strânse.

Pentru a curăța produsul la exterior

- Folosiți o perie pentru a elimina frunzele, iarba și murdăria.

- Asigurați-vă că priza de aer din partea superioară a motorului nu este înfundată.
- Nu utilizați o instalație de spălare cu presiune ridicată pentru a curăța produsul.
- Dacă utilizați apă pentru a curăța produsul, nu stropiți direct către motor.

¹⁴¹ Dacă produsul este folosit cu o sarcină mare sau la temperaturi ambiante ridicate, înlocuiți uleiul de motor la fiecare 25 de ore.

¹⁴² Curățați mai des în condiții de praf sau când sunt prezente reziduurile în aer. Înlocuiți filtrul de aer dacă este foarte murdar.

Pentru a curăța suprafața interioară a capacului de tăiere

1. Goliți rezervorul de carburant.
2. Înclinați produsul. Asigurați-vă că bujia este orientată în sus.



ATENȚIE: Dacă produsul este așezat cu filtrul de aer în jos, motorul se poate deteriora.

3. Spălați cu apă suprafața interioară a capacului de tăiere.

Pentru a examina echipamentul de tăiere



AVERTISMENT: Pentru a preveni pornirea accidentală, decuplați cablul de alimentare a aprinderii de la bujie.



AVERTISMENT: Purtați mănuși de protecție când efectuați întreținerea echipamentului de tăiere. Cuțitul este foarte ascuțit și vă puteți tăia foarte ușor.

1. Examinați echipamentul de tăiere pentru a identifica eventuale deteriorări sau crăpături. Înlocuiți întotdeauna un echipament de tăiere deteriorat.
2. Observați cuțitul pentru a vedea dacă este deteriorat sau tocit.

Nota: După ascuțirea cuțitului, acesta trebuie echilibrat. Solicitați unui centru de service să ascuțească, să monteze la loc și să echilibreze cuțitul. Dacă loviți un obstacol care determină produsul să se oprească, înlocuiți cuțitul deteriorat. Solicitați centrului de service să estimeze dacă lama poate fi ascuțită sau trebuie înlocuită.

Pentru a înlocui lama

1. Blocați lama cu o bucată de lemn. (Fig. 36)
2. Scoateți bolțul cuțitului.
3. Demontați cuțitul.
4. Examinați suportul cuțitului și bolțul acestuia pentru a vedea dacă există deteriorări.
5. Examinați arborele motorului pentru a vă asigura că nu s-a îndoit.
6. Când montați un cuțit nou, îndreptați capetele oblice ale cuțitului în direcția capacului de tăiere. (Fig. 37)
7. Asigurați-vă de alinierea cuțitului cu centrul arborelui motorului.
8. Blocați lama cu o bucată de lemn. Montați șaiba elastică și strângeți bolțul și șaiba la un cuplu de 45–60 Nm. (Fig. 38)
9. Învârtiți cuțitul cu mâna și asigurați-vă că se rotește liber.



AVERTISMENT: Purtați mănuși de protecție rezistente. Cuțitul este foarte ascuțit și vă puteți tăia foarte ușor.

10. Porniți produsul pentru a efectua un test al cuțitului. Dacă acesta nu este fixat corect, produsul vibrează sau rezultatele sunt nesatisfăcătoare.

Pentru a verifica nivelul de ulei



ATENȚIE: Un nivel de ulei prea redus poate deteriora motorul. Efectuați o verificare a nivelului de ulei înainte să porniți produsul.

1. Așezați produsul pe teren drept.
2. Scoateți bușonul rezervorului cu joja atașată.
3. Curățați joja de ulei.
4. Introduceți joja complet în rezervorul de ulei pentru o înregistrare corectă a nivelului de ulei.
5. Scoateți joja.
6. Examinați nivelul de ulei de pe joja.
7. Dacă nivelul uleiului este scăzut, alimentați cu ulei de motor și verificați din nou nivelul.

Nota: Folosiți o pâlnie pentru a preveni scurgerile.

Înlocuirea uleiului de motor



AVERTISMENT: Imediat după oprirea motorului, uleiul de motor este foarte fierbinte. Lăsați motorul să se răcească înainte de a îl goli de ulei. Dacă uleiul de motor intră în contact cu pielea, curățați cu apă și săpun.

(Fig. 39)

Nota: Utilizați ulei pentru motor în 4 timpi. Asigurați-vă că utilizați viscozitatea corectă în funcție de temperatura ambiantă.

1. Utilizați produsul până când rezervorul de carburant se golește.
2. Scoateți cablul de alimentare a aprinderii din bujie.
3. Scoateți bușonul rezervorului de ulei.
4. Scurgeți uleiul pentru motor din rezervorul de ulei cu o pompă de ulei (accesoriu).
5. Umpleți cu ulei de motor proaspăt și de tipul recomandat în *Date tehnice la pagina 276*.
6. Verificați nivelul de ulei. Consultați *Pentru a verifica nivelul de ulei la pagina 273*.

Pentru a curăța filtrul din spumă de plastic

1. Demontați capacul filtrului de aer și scoateți filtrul din spumă de plastic.

2. Curățați filtrul din spumă de plastic cu apă și săpun.
3. Clătiți filtrul din spumă de plastic cu apă curată.
4. Scurgeți apa din filtrul din spumă de plastic și lăsați-l să se usuce.



ATENȚIE: Nu folosiți aer comprimat. Acesta poate deteriora filtrul din spumă de plastic.

5. Ungeți filtrul din spumă de plastic cu ulei de motor.
6. Presați o lavetă curată pe filtrul din spumă de plastic pentru a îndepărta uleiul nedorit.
7. Montați filtrul de aer înapoi. Asigurați-vă că filtrul de aer se etanșează pe suportul filtrului de aer.
8. Montați la loc capacul filtrului de aer.

Pentru a verifica bujia



ATENȚIE: Folosiți întotdeauna tipul recomandat de bujie. Tipul incorect de bujie poate defecta produsul.

- Verificați bujia dacă motorul nu are putere, nu pornește ușor sau nu funcționează corect la turație de mers în gol.
- Pentru a reduce riscul prezenței materialelor nedorite la electrozii bujiei, respectați aceste instrucțiuni:
 - a) Asigurați-vă că turația de mers în gol este corect reglată.
 - b) Asigurați-vă că amestecul este corect.
 - c) Asigurați-vă că filtrul de aer este curat.
- Dacă bujia este murdară, curățați-o și asigurați-vă că distanța dintre electrozii este corectă, consultați *Date tehnice la pagina 276*. (Fig. 40)
- Înlocuiți bujia atunci când este necesar.

Pentru a examina sistemul de alimentare cu carburant

- Examinați bușonul rezervorului de carburant și garnitura bușonului rezervorului de carburant pentru a vă asigura că nu există deteriorări.
- Examinați furtunul de carburant pentru a vă asigura că nu există scurgeri. Dacă furtun de carburant este deteriorat, trebuie înlocuit de către un agent de service.

Reglarea cablului de ambreiaj (LC 140SP)

Pentru situațiile următoare, este necesar să micșorați lungimea cablului de ambreiaj:

- Acționarea roților nu se cuplează când trageți maneta de transmisie sau maneta de control al vitezei.
- Produsul se deplasează lent când acționarea roților este cuplată.

Pentru situațiile următoare, este necesar să prelungiți lungimea cablului de ambreiaj:

- Produsul se deplasează atunci când acționarea roților nu este cuplată.
- Reglați cablul de ambreiaj.
 - a) Pentru a reduce lungimea cablului de ambreiaj, rotiți șurubul de reglare în sens invers acelor de ceasornic.
 - b) Pentru a prelungi lungimea cablului de ambreiaj, rotiți șurubul de reglare în sensul acelor de ceasornic. (Fig. 41)

Dacă produsul continuă să se deplaseze nesatisfăcător după reglare, contactați distribuitorul de service

Depanarea motorului

| Problemă | Cauza posibilă | Soluție |
|----------------------|---|---|
| Motorul nu pornește. | Cablul de alimentare a aprinderii nu este conectat corect. | Conectați cablul de alimentare a aprinderii la bujie. |
| | Rezervorul de carburant este gol. | Umpleți rezervorul de carburant cu tipul corect de carburant. |
| | Combustibilul este vechi. | Scurgeți rezervorul de carburant și carburatorul. Realimentați cu benzină nouă. |
| | Există murdărie în carburator sau în conducta de carburant. | Curățați carburatorul și/sau conducta de carburant. |
| | Bujia este defectă. | Reglați apărătoarea electrodului, curățați sau schimbați bujia. |
| | Există combustibil pe bujie. | Curățați bujia. |

| Problemă | Cauza posibilă | Soluție |
|--|---|--|
| Motorul nu se oprește. | Mecanismul de oprire este defect. | Decuplați cablul de alimentare a aprinderii de la bujie. Repararea produsului trebuie efectuată de către un agent de service autorizat. |
| Motorul nu funcționează uniform. | Cablul de alimentare a aprinderii nu este conectat corect. | Conectați cablul de alimentare a aprinderii la bujie. |
| | Există mizerie în conducta de carburant sau carburantul a expirat. | Curățați conducta de carburant. Umpleți rezervorul de carburant cu carburant nou de tipul corect. |
| | Există un blocaj al capacului rezervorului de carburant. | Curățați capacul rezervorului de carburant. |
| | Există apă sau murdărie în sistemul de alimentare cu carburant. | Goliți rezervorul de carburant. Umpleți rezervorul de carburant cu carburant nou de tipul corect. |
| | Filtrul de aer este murdar. | Curățați filtrul de aer. |
| | Carburatorul trebuie reglat. | Lăsați un distribuitor de service să regleze carburatorul. |
| Motorul devine prea fierbinte. | Nivelul de ulei de motor este prea scăzut. | Umpleți cu ulei de motor. |
| | Debitul de aer nu este suficient. | Curățați filtrul de aer și carcasa filtrului de aer. |
| | Carburatorul trebuie reglat. | Lăsați un distribuitor de service să regleze carburatorul. |
| Există rateuri de combustie în timpul funcționării la viteză mare. | Distanța dintre electrozi din bujie este prea mică. | Reglați distanța dintre electrozi. |
| Zgomote neobișnuite de la motor în timpul operării cu sarcină normală. | Tip incorect de benzină. | Scurgeți rezervorul de carburant și carburatorul. Realimentați cu benzină nouă. Consultați <i>Alimentarea cu carburant la pagina 271</i> . Dacă problema persistă, discutați cu reprezentantul de service local. |
| Motorul nu funcționează lin la turația de mers în gol. | Bujia este murdară, defectă sau distanța dintre electrozi este prea mare. | Reglați apărătoarea electrozului sau schimbați bujia. |
| | Carburatorul trebuie reglat. | Reglați carburatorul. |
| | Filtrul de aer este murdar. | Curățați filtrul de aer. |

Transportul, depozitarea și eliminarea

Transportul și depozitarea

- Pentru depozitarea și transportul produsului și a carburantului, asigurați-vă că nu există scurgeri și gaze. Scânteile sau flăcările deschise, de exemplu cele provenite de la dispozitive sau boilere electrice, pot cauza un incendiu.

- Utilizați întotdeauna recipiente omologate pentru depozitarea și transportarea combustibilului.
- Goliți rezervorul de carburant și depozitați produsul pentru o perioadă lungă de timp. Eliminați carburantul într-o locație de eliminare autorizată
- Fixați în siguranță produsul în timpul transportului pentru a preveni daunele și accidentele.

- Păstrați produsul într-o zonă restricționată pentru a preveni accesul copiilor sau al persoanelor neautorizate.
- Păstrați produsul într-un spațiu uscat și ferit de îngheț.
- Eliminați toate substanțele chimice, precum uleiul de motor sau carburantul, la un centru de service sau într-o locație de eliminare autorizată.
- Atunci când produsul nu mai este în uz, trimiteți-l la un distribuitor Husqvarna sau casați-l într-o locație de reciclare.

Dezafectarea

- Respectați cerințele de reciclare și reglementările locale aplicabile.

Date tehnice

Date tehnice

| | LC 140P | LC 140SP |
|--|--|--|
| Motor | | |
| Marcă | Husqvarna | Husqvarna |
| Numele modelului motorului | HS 123A | HS 123A |
| Tip de motor | Cu un cilindru, în 4 timpi, răcire forțată cu aer, OHV | Cu un cilindru, în 4 timpi, răcire forțată cu aer, OHV |
| Cilindree, cm ³ | 123 | 123 |
| Turație, rpm | 3000 | 3000 |
| Putere nominală de ieșire motor, kW ¹⁴³ | 1,95 | 1,95 |
| Sistem de aprindere | | |
| Bujie | Husqvarna HQT-7 | Husqvarna HQT-7 |
| Apărătoare electrod, mm | 0,7-0,8 | 0,7-0,8 |
| Carburant și sistem de ungere | | |
| Tip de lubrifiere a motorului | Stropire | Stropire |
| Capacitate rezervor de carburant, litri | 0,9 | 0,9 |
| Capacitate rezervor de ulei, litri | 0,5 | 0,5 |
| Uleiul de motor ¹⁴⁴ | Husqvarna SAE 30 | Husqvarna SAE 30 |
| Greutate | | |
| Cu rezervoare goale, kg | 25,2 | 26,8 |
| Emisii de zgomot¹⁴⁵ | | |
| Nivel de putere a zgomotului, măsurat, dB(A) | 93 | 93 |

¹⁴³ Puterea nominală indicată a motorului este puterea de ieșire medie netă (la turația specificată) a unui motor de producție normal pentru modelul de motor, măsurată conform standardului SAE J1349/ISO1585. Motoarele de producție în masă pot prezenta valori diferite de aceasta. Puterea de ieșire efectivă pentru motorul instalat pe produsul final va depinde de viteza de funcționare, de condițiile de mediu și de alte valori.

¹⁴⁴ Dacă se folosește ulei SAE-30 la temperaturi mai joase de +5 °C, există riscul să nu lubrificeze suficient motorul. Acest lucru poate cauza deteriorarea motorului. Consultați *Înlocuirea uleiului de motor la pagina 273* pentru uleiul corect pentru temperaturi scăzute.

¹⁴⁵ Emisiile de zgomot în mediu măsurate ca putere acustică (L_{WA}) în conformitate cu directiva CE 2000/14/CE.

| | LC 140P | LC 140SP |
|---|---------------------------------|---------------------------------|
| Nivel de putere acustică garantat L_{WA} dB(A) | 95 | 95 |
| Niveluri de zgomot¹⁴⁶ | | |
| Nivel de presiune acustică la urechea operatorului, dB(A) | 81 | 81 |
| Niveluri de vibrații¹⁴⁷ | | |
| Vibrații în mâner, m/s^2 | 5,6 | 7,6 |
| Echipament de tăiere | | |
| Înălțime de tăiere, mm | 25-75 | 25-75 |
| Lățime de tăiere, mm | 400 | 400 |
| Sistem de tăiere | Colectare/descărcare prin spate | Colectare/descărcare prin spate |
| Discuri standard | Colectare 5873863-10 | Colectare 5873863-10 |
| Capacitate colector de iarbă, litri | 50 | 50 |
| Deplasarea | | |
| Viteză de deplasare independentă, km/h | – | 4 |

¹⁴⁶ Datele raportate pentru presiunea nivelului de zgomot prezintă o distribuție statistică tipică (abatere standard) de 1,2 dB(A).

¹⁴⁷ Datele raportate pentru nivelul de vibrații prezintă o dispersie statistică tipică (abatere standard) de 0,2 m/s^2 .

Declarație de conformitate CE

Declarație de conformitate CE

Husqvarna AB, SE-561 82 Huskvarna, Suedia, tel.:
+46-36-146500, declară că **masina pentru tuns gazonul**
Husqvarna LC 140P, LC 140SP începând cu anul 2020,
respectă cerințele DIRECTIVEI CONSILIULUI:

- din 8 iunie 2011 privind „restricțiile de utilizare a anumitor substanțe periculoase” **2011/65/UE**.
- din 17 mai 2006 „referitoare la utilaje” **2006/42/CE**
- din 26 februarie 2014 „referitoare la compatibilitatea electromagnetică” **2014/30/UE**
- din 8 mai 2000 „referitoare la emisiile de zgomot în mediul înconjurător” **2000/14/CE**

Informațiile privind emisiile de zgomot sunt specificate în secțiunea Date tehnice.

Au fost aplicate următoarele standarde:

EN ISO 5395-1:2013, EN ISO 5395-1:2013/A1, EN ISO 5395-2:2013, EN ISO 5395-2:2013/A1:2016, EN ISO 5395-2:2013/A2:2017, EN ISO 14982:2009

În absența altor indicații, standardele menționate mai sus reprezintă cele mai recente versiuni publicate.

Organismul notificat: **0036, TÜV SÜD Industrie Service GmbH, Westendstrasse 199, 80686 München, Germany** a efectuat evaluarea conformității potrivit Anexei VI din directiva 2000/14/CE.

Huskvarna, 2020-10-20



Claes Losdal, Director de Dezvoltare/Produse pentru
grădină (reprezentant autorizat al Husqvarna AB și
responsabil cu documentația tehnică)

Содержание

| | | | |
|-------------------------------|-----|---|-----|
| Введение..... | 279 | Поиск и устранение неисправностей двигателя.... | 288 |
| Безопасность..... | 280 | Транспортировка, хранение и утилизация..... | 290 |
| Сборка..... | 283 | Технические данные..... | 290 |
| Эксплуатация..... | 284 | Декларация соответствия ЕС..... | 292 |
| Техническое обслуживание..... | 285 | | |

Введение

Описание изделия

Изделие представляет собой пешеходную роторную газонокосилку. Трава собирается в травосборник. Снимите травосборник, чтобы трава отбрасывалась назад.

Обзор изделия

(Рис. 1)

1. Рукоятка
2. Петля привода (LC 140SP)
3. Ручка шнура стартера
4. Травосборник
5. Топливный бак
6. Воздушный фильтр
7. Свеча зажигания
8. Режущая дека
9. Глушитель
10. Крышка топливного бака
11. Рычаг регулировки высоты стрижки
12. Задняя крышка
13. Рукоятка тормоза двигателя
14. Условные обозначения
15. Узел нижней рукоятки
16. Нижняя рукоятка
17. Руководство по эксплуатации
18. Топливная воронка

Условные обозначения на изделии

- (Рис. 2) **ПРЕДУПРЕЖДЕНИЕ!** Соблюдайте осторожность и правила эксплуатации изделия. Изделие может стать причиной тяжелой травмы или смерти оператора и окружающих.
- (Рис. 3) Перед началом работы внимательно прочитайте руководство по эксплуатации и убедитесь, что понимаете приведенные здесь инструкции.
- (Рис. 4) Берегитесь отскакивающих предметов и рикошетов.

Назначение

Используйте изделие для стрижки травы. Запрещается использовать изделие для других видов работ.

- (Рис. 5) Следите за тем, чтобы в зоне проведения работ не было посторонних людей или животных.
- (Рис. 6) Предупреждение: Не приближайте руки или ноги к вращающемуся ножу.
- (Рис. 7) Предупреждение: Не приближайте руки или ноги к вращающимся частям.
- (Рис. 8) Остановите двигатель и отсоедините кабель зажигания, прежде чем приступать к ремонту или техобслуживанию.
- (Рис. 9) Данное изделие отвечает требованиям соответствующих директив ЕС.
- (Рис. 10) Эмиссия шума в окружающую среду согласно Директиве Европейского Сообщества. Звуковое излучение данного изделия приведено в разделе "Технические данные" и на паспортной табличке.
- (Рис. 11) Риск пожара.
- (Рис. 12) Не вдыхайте выхлопные газы. Выхлопные газы из двигателя содержат окись углерода — не имеющий запаха, токсичный и чрезвычайно опасный газ. Запрещается запускать двигатель в помещении или в замкнутых пространствах.
- (Рис. 13) Горячая поверхность.
- (Рис. 14) Перед запуском изделия залейте в двигатель масло.

Примечание: Остальные символы/наклейки на изделии относятся к специальным требованиям сертификации в определенных коммерческих зонах.

Соответствие уровня токсичных выбросов стандарту Euro V



ПРЕДУПРЕЖДЕНИЕ: В случае вмешательства в работу двигателя данное изделие перестанет соответствовать нормативам ЕС.

Ответственность изготовителя

В соответствии с законами об ответственности изготовителя мы не несем ответственности за

Безопасность

Инструкции по технике безопасности

Предупреждения, предостережения и примечания используются для выделения особо важных пунктов руководства.



ПРЕДУПРЕЖДЕНИЕ: Используется, когда несоблюдение инструкций руководства может привести к травмам или смерти оператора или находящихся рядом посторонних лиц.



ВНИМАНИЕ: Используется, когда несоблюдение инструкций руководства может привести к повреждению изделия, других материалов или прилегающей территории.

Примечание: Используется для предоставления дополнительных сведений о конкретной ситуации.

Общие инструкции по технике безопасности



ПРЕДУПРЕЖДЕНИЕ: В обязательном порядке прочитайте следующие инструкции по технике безопасности, прежде чем приступить к эксплуатации изделия.

- При небрежном или неправильном обращении изделие может оказаться опасным инструментом. Несоблюдение инструкций по технике безопасности может привести к травмам или смерти.
- Во время работы данное изделие создает электромагнитное поле. В определенных обстоятельствах это поле может создавать

ущерб, вызванный эксплуатацией нашего изделия в результате:

- ненадлежащего ремонта изделия;
- использования для ремонта изделия неоригинальных деталей или деталей, не одобренных производителем;
- использования неоригинальных дополнительных принадлежностей или принадлежностей, не одобренных производителем;
- ремонта изделия в неавторизованном сервисном центре или неквалифицированным специалистом;

помехи для пассивных и активных медицинских имплантатов. В целях снижения риска серьезной или смертельной травмы лицам с медицинскими имплантатами рекомендуется проконсультироваться с врачом и изготовителем имплантата, прежде чем приступить к эксплуатации данного изделия.

- Будьте всегда осторожны и руководствуйтесь здравым смыслом. Если вы не уверены, как правильно эксплуатировать изделие в определенной ситуации, прекратите работу и проконсультируйтесь со своим дилером Husqvarna, прежде чем продолжить.
- Помните: ответственность за аварии, угрожающие другим людям или их имуществу, несет оператор.
- Содержите изделие в чистоте. Следите за тем, чтобы знаки и наклейки были легко читаемыми.
- Не разрешайте пользоваться изделием людям, не убедившись сначала в том, что они прочитали и поняли содержание руководства по эксплуатации.
- Не позволяйте детям использовать изделие.
- Не допускайте детей в рабочую зону. Они должны постоянно находиться под присмотром взрослого.
- Не разрешайте пользоваться изделием людям, которые не знакомы с данными инструкциями.
- Не оставляйте без присмотра людей с физическими или умственными нарушениями, использующих изделие. Они должны постоянно находиться под присмотром взрослого.
- Ни в коем случае не используйте изделие, если вы устали, больны или находитесь под воздействием спиртного, наркотических веществ или лекарственных препаратов. Это может повлиять на ваше зрение, реакцию, координацию или оценку действительности.

- Запрещается использовать изделие, если оно повреждено.
- Запрещается вносить в изделие модификации или использовать изделие, если вы подозреваете, что в его конструкцию внесены изменения другими лицами.
- Не изменяйте настройку системы управления частотой вращения двигателя.

Техника безопасности на рабочем месте



ПРЕДУПРЕЖДЕНИЕ: В обязательном порядке прочитайте следующие инструкции по технике безопасности, прежде чем приступать к эксплуатации изделия.

- Уберите ветви, сучья, камни и прочие посторонние предметы из рабочей зоны перед началом эксплуатации изделия.
- Предметы, ударяющиеся о режущий инструмент, могут быть отброшены, что приведет к травмам или повреждению имущества. Следите за тем, чтобы посторонние лица и животные находились на безопасном расстоянии от изделия.
- Ни в коем случае не используйте изделие при неблагоприятных погодных условиях, например, в туман, дождь, при сильном ветре, низких температурах и риске удара молнии. Эксплуатация изделия при плохих погодных условиях или на сырых участках утомительна. Плохие погодные условия могут создавать опасные условия для работы, например, скользкие поверхности.
- Следите за возможным появлением посторонних лиц, предметов или условий, которые могут препятствовать безопасной эксплуатации изделия.
- Следите за возможным появлением препятствий, таких как корни, камни, сучья, ямы или рвы. Высокая трава может скрывать препятствия.
- Стрижка травы на склоне может представлять опасность. Запрещается использовать изделие на участках с уклоном более 15°.
- Используйте изделие поперек поверхности склона. Не передвигайтесь вверх и вниз по поверхности склона.
- Проявляйте особую осторожность при приближении к скрытым из видимости поворотам или предметам, которые могут затруднять обзор.
- Изделие предназначено исключительно для скашивания травы на газонах. Запрещается использовать изделие не по назначению.
- Пользуйтесь средствами индивидуальной защиты. См. раздел *Средства индивидуальной защиты на стр. 282.*
- Убедитесь, что вы знаете, как быстро остановить двигатель в аварийной ситуации.
- Запрещается запускать двигатель в закрытом помещении или вблизи легковоспламеняющихся материалов. Выхлопные газы двигателя имеют высокую температуру и могут содержать искры, которые в свою очередь могут привести к пожару.
- Ни в коем случае не используйте изделие с отсутствующими или неправильно установленными кожурами или ножом. Неправильно установленный нож может высвободиться и причинить травму.
- Следите за тем, чтобы в нож не попали посторонние предметы, например, камни и корни. Это может затупить нож и привести к искривлению вала двигателя. При сгибании оси увеличивается уровень вибрации, что может привести к снижению надежности крепления ножа.
- В случае столкновения ножа с посторонним предметом или возникновения вибрации незамедлительно остановите изделие. Отсоедините кабель от свечи зажигания. Проверьте изделие на наличие повреждений. Выполните ремонт повреждений или обратитесь в авторизованный сервисный центр для выполнения ремонта.
- Запрещается на постоянной основе фиксировать рукоятку тормоза двигателя при работающем двигателе.
- При запуске изделие должно находиться на устойчивой, ровной поверхности. Убедитесь, что нож не касается грунта или любого другого предмета.
- При работе с изделием всегда стойте сзади.
- При работе с изделием все колеса должны стоять на земле; держите рукоятку обеими руками. Не приближайте руки или ноги к вращающимся ножам.
- Запрещается наклонять изделие при работающем двигателе.
- Соблюдайте осторожность, когда тянете изделие назад.
- Запрещается поднимать изделие при работающем двигателе. Если вам необходимо поднять изделие, сначала остановите двигатель и отсоедините кабель от свечи зажигания.
- Запрещается двигаться назад при работе с изделием.
- Останавливайте двигатель, когда пересекаете непокрытые травой зоны, например, дорожки из гравия, камня или асфальта.

Техника безопасности



ПРЕДУПРЕЖДЕНИЕ: В обязательном порядке прочитайте следующие инструкции по технике безопасности, прежде чем приступать к эксплуатации изделия.

- Запрещается бегать с изделием при работающем двигателе. Работайте с изделием в спокойном темпе.
- Выключайте двигатель, прежде чем изменить высоту стрижки. Ни в коем случае не выполняйте регулировку при работающем двигателе.
- Ни в коем случае не выпускайте изделие из вида при работающем двигателе. Остановите двигатель и убедитесь, что режущее оборудование не вращается.

Инструкции по безопасности во время эксплуатации

Средства индивидуальной защиты



ПРЕДУПРЕЖДЕНИЕ: В обязательном порядке прочитайте следующие инструкции по технике безопасности, прежде чем приступить к эксплуатации изделия.

- Средства индивидуальной защиты не могут полностью исключить риск получения травмы, но при несчастном случае они снижают тяжесть травмы. За помощью по правильному выбору оборудования обращайтесь к дилеру.
- Если уровень шума превышает 85 дБ, следует использовать защитные наушники.
- Используйте прочные, противоскользящие ботинки. Запрещается надевать открытую обувь или работать босиком.
- Надевайте прочные длинные брюки.
- При необходимости надевайте защитные перчатки, например, при закреплении, проверке или очистке режущего оборудования.

Защитные устройства на изделии



ПРЕДУПРЕЖДЕНИЕ: В обязательном порядке прочитайте следующие инструкции по технике безопасности, прежде чем приступить к эксплуатации изделия.

- Запрещается использовать изделие с неисправными защитными устройствами.
- Регулярно выполняйте проверку защитных устройств. Если защитные устройства неисправны, обратитесь в сервисный центр Husqvarna.

Проверка режущей деки

Режущая дека снижает уровень вибрации изделия и риск травмирования ножом.

- Проверьте режущую деку и убедитесь, что на ней отсутствуют повреждения, такие как трещины.

Проверка рукоятки тормоза двигателя

Рукоятка тормоза двигателя предназначена для остановки двигателя. При отпускании рукоятки тормоза двигатель останавливается.

- Запустите двигатель и отпустите рукоятку тормоза двигателя. Если двигатель не остановится через 3 секунды, обратитесь в авторизованный сервисный центр Husqvarna для регулировки тормоза двигателя. (Рис. 15)

Глушитель

Глушитель предназначен для максимального снижения уровня шума и отвода выхлопных газов в сторону от оператора.

Запрещается использовать изделие, если глушитель поврежден или отсутствует. Повреждение глушителя приводит к увеличению уровня шума и риску возгорания.



ПРЕДУПРЕЖДЕНИЕ: Глушитель значительно нагревается во время эксплуатации и сразу после остановки, а также во время работы двигателя на холостых оборотах. Во избежание возгорания соблюдайте осторожность при работе вблизи легковоспламеняющихся материалов и/или паров.

Правила безопасного обращения с топливом



ПРЕДУПРЕЖДЕНИЕ: В обязательном порядке прочитайте следующие инструкции по технике безопасности, прежде чем приступить к эксплуатации изделия.

- Запрещается запускать изделие, если на него попало топливо или моторное масло. Удалите постороннее топливо/масло и дайте изделию высохнуть.
- Если топливо попало на одежду, немедленно смените ее.
- Не допускайте попадания топлива на тело, это может причинить вред здоровью. При попадании топлива на тело смойте его водой с мылом.
- Запрещается запускать изделие при наличии утечки из двигателя. Регулярно проверяйте двигатель на наличие утечек.
- Соблюдайте осторожность при обращении с топливом. Топливо является легковоспламеняющейся жидкостью со взрывоопасными парами и может привести к серьезным или смертельным травмам.
- Запрещается вдыхать пары топлива, т. к. это может причинить вред здоровью. Убедитесь в наличии достаточного потока воздуха.

- Запрещается курить вблизи топлива или двигателя.
- Запрещается ставить теплые предметы рядом с топливом или двигателем.
- Запрещается доливать топливо при работающем двигателе.
- Прежде чем заправить изделие, убедитесь, что двигатель полностью остыл.
- Перед заправкой топлива медленно откройте крышку топливного бака и осторожно сбросьте давление.
- Запрещается заливать топливо в двигатель в помещении. Недостаточная вентиляция может привести к травме или смерти в результате удушья или отравления угарным газом.
- Плотно затяните крышку топливного бака. Если крышка топливного бака не затянута, возникает риск пожара.
- Переместите изделие минимум на 3 м / 10 футов от места заправки топливом, прежде чем запустить его.
- Никогда не заправляйте топливный бак полностью. Тепло приводит к расширению топлива. Оставьте место в верхней части топливного бака.

прежде чем приступать к эксплуатации изделия.

- Выхлопные газы из двигателя содержат окись углерода — не имеющий запаха, токсичный и чрезвычайно опасный газ. Запрещается запускать двигатель в помещении или в замкнутых пространствах.
- Прежде чем приступить к техобслуживанию изделия, остановите двигатель и отсоедините кабель от свечи зажигания.
- Надевайте защитные перчатки при техобслуживании режущего оборудования. Нож очень острый, что при неосторожном обращении может легко привести к порезам.
- Использование принадлежностей или внесение изменений в конструкцию изделия, не одобренных производителем, может привести к серьезным или смертельным травмам. Запрещается вносить изменения в конструкцию изделия. Пользуйтесь только рекомендованными производителем принадлежностями.
- При несоблюдении правил и сроков выполнения техобслуживания риск получения травмы или повреждения изделия возрастает.
- Выполняйте техобслуживание строго в соответствии с инструкциями, приведенными в руководстве по эксплуатации. Все прочие виды сервисного обслуживания должны проводиться в авторизованном сервисном центре Husqvarna.
- Регулярно обращайтесь в авторизованный сервисный центр Husqvarna для проведения техобслуживания изделия.
- Замените поврежденные, сломанные или изношенные детали.

Инструкции по технике безопасности во время технического обслуживания



ПРЕДУПРЕЖДЕНИЕ: В обязательном порядке прочитайте следующие инструкции по технике безопасности,

Сборка

Сборка рукоятки

1. Вставьте винт (A) в рукоятку (B), пластмассовую шайбу (C) и опорный кронштейн рукоятки (D). (Рис. 16)
2. Полностью затяните гайку (E).
3. Вставьте винт (F) в шайбу (G) и опорный кронштейн рукоятки.
4. Полностью затяните ручку (H).
5. Совместите отверстия на рукоятке с отверстиями на нижней рукоятке и установите винты, шайбы и ручки. Надежно затяните ручки. (Рис. 17)
6. Закрепите кабели на рукоятке с помощью держателей. (Рис. 18)

Примечание: Убедитесь, что кабели не натянуты слишком сильно. Если кабель натянут слишком сильно, он может быть поврежден при складывании рукоятки в положение для транспортировки.

7. Проложите кабели вокруг крюка в нижней части рукоятки. (Рис. 19)

Регулировка высоты рукоятки

1. Ослабьте нижние ручки. (Рис. 20)
2. Снимите ручки, шайбу и винт с левой и с правой стороны.
3. Существует 2 положения высоты рукоятки. Установите винт в одно из 2 отверстий с левой и с правой стороны. (Рис. 21)
4. Установите винты, шайбы и ручки.
5. Переместите ручки вверх в направлении рукоятки до упора. Вы должны услышать щелчок. Надежно затяните ручки. (Рис. 22)

Установка изделия в положение для транспортировки

1. Снимите травосборник.

2. Ослабьте ручки на верхней рукоятке и сложите рукоятку. (Рис. 23)
3. Ослабьте нижние ручки.
4. Переместите ручки в нижние положения в пазах с левой и правой стороны изделия. (Рис. 24)
5. Сложите рукоятку вперед. (Рис. 25)

Установка изделия в рабочее положение

1. Поднимайте рукоятку, пока нижняя рукоятка не зафиксируется в рабочем положении. (Рис. 26)
2. Переместите регуляторы вверх в направлении ручки до упора. Вы должны услышать щелчок.
3. Надежно затяните ручки. (Рис. 27)

4. Поднимите верхнюю часть рукоятки.
5. Надежно затяните ручки. (Рис. 28)

Установка травосборника

1. Установите верхнюю часть травосборника на его нижнюю часть. (Рис. 29)
2. Зафиксируйте раму травосборника зажимами. (Рис. 30)
3. Поднимите заднюю крышку.
4. Установите захваты травосборника на верхний край шасси. (Рис. 31)
5. Поместите нижнюю часть травосборника в канал для выброса травы.

Эксплуатация

Введение



ПРЕДУПРЕЖДЕНИЕ: Перед эксплуатацией прибора необходимо внимательно изучить раздел безопасности.

Husqvarna Connect

Husqvarna Connect представляет собой бесплатное приложение для мобильного устройства. Приложение Husqvarna Connect позволяет пользоваться расширенными функциями вашего изделия Husqvarna:

- Дополнительная информация об изделии.
- Сведения о деталях и помощь в техническом обслуживании.

Как начать использовать Husqvarna Connect

1. Загрузите приложение Husqvarna Connect на свое мобильное устройство.
2. Зарегистрируйтесь в приложении Husqvarna Connect.
3. Выполните пошаговые инструкции в приложении Husqvarna Connect для подключения и регистрации изделия.

Перед началом эксплуатации изделия

1. Внимательно прочитайте руководство по эксплуатации и убедитесь, что понимаете приведенные здесь инструкции.
2. Осмотрите режущее оборудование и убедитесь, что оно правильно закреплено и отрегулировано. См. раздел *Проверка режущего оборудования на стр. 286*.

3. Заполните топливный бак. См. раздел *Заправка топливом на стр. 284*.
4. Заполните масляный бак и проверьте уровень масла. См. раздел *Проверка уровня масла на стр. 287*.

Заправка топливом

Используйте обеспечивающий низкий уровень выбросов бензин / алкилатный бензин при наличии. При отсутствии обеспечивающего низкий уровень выбросов бензина / алкилатного бензина используйте качественный неэтилированный или этилированный бензин с октановым числом не ниже 91.



ВНИМАНИЕ: Запрещено использовать бензин с октановым числом меньше 91 RON. Это может привести к повреждению изделия.



ВНИМАНИЕ: Выполняйте замену топливного фильтра раз в год или чаще, если это необходимо. Новый топливный фильтр можно приобрести у дилера Husqvarna.



ВНИМАНИЕ: В обязательном порядке останавливайте двигатель перед заправкой изделия топливом.



ВНИМАНИЕ: Не используйте пусковые жидкости под давлением.

1. Медленно откройте крышку топливного бака, чтобы стравить давление.

2. Медленно залейте топливо из канистры. Если вы пролили топливо, протрите его тряпкой и дайте оставшемуся топливу высохнуть. (Рис. 32)
3. Очистите поверхность вокруг крышки топливного бака.
4. Плотно затяните крышку топливного бака. Если крышка топливного бака не затянута, возникает риск пожара.
5. Переместите изделие минимум на 3 м / 10 футов от места заправки топливом, прежде чем запустить его.

Регулировка высоты стрижки

1. Переведите рычаг регулировки высоты стрижки назад, чтобы увеличить высоту стрижки.
2. Переведите рычаг регулировки высоты стрижки вперед, чтобы уменьшить высоту стрижки. (Рис. 33)



ВНИМАНИЕ: Не устанавливайте высоту стрижки слишком низко. Ножи могут ударяться о землю, если поверхность газона неровная.

Запуск изделия

1. Убедитесь, что кабель подсоединен к свече зажигания.
2. Стойте сзади изделия.
3. Прижмите рукоятку тормоза двигателя к рукоятке. (Рис. 34)
4. Держите ручку шнура стартера правой рукой.
5. Медленно потяните за шнур стартера, пока не почувствуете некоторое сопротивление.
6. Резко потяните трос, чтобы завести двигатель.



ПРЕДУПРЕЖДЕНИЕ: Не накручивайте шнур стартера вокруг руки.

Техническое обслуживание

Введение



ПРЕДУПРЕЖДЕНИЕ: Перед выполнением техобслуживания необходимо внимательно изучить и понять раздел безопасности.

Для выполнения любых работ по сервисному обслуживанию и ремонту изделия необходимо пройти специальное обучение. Мы гарантируем доступность услуг по профессиональному ремонту и сервисному обслуживанию. Если ваш дилер не занимается сервисным обслуживанием, обратитесь к нему для получения информации о ближайшем сервисном центре.

Использование привода колес

- Потяните петлю привода в направлении рукоятки. (Рис. 35)
- Отпустите петлю привода, чтобы отключить привод, например, при приближении к препятствию.
- Прежде чем потянуть изделие назад, отключите привод и толкните изделие вперед примерно на 10 см.

Остановка изделия

- Для того чтобы остановить только привод, отпустите петлю привода.
- Для того чтобы остановить двигатель, отпустите рукоятку тормоза двигателя.

Достижение оптимальных результатов

- Всегда пользуйтесь хорошо заточенным ножом. Затупившийся нож будет стричь траву неровно, и в месте среза трава будет желтеть. При использовании острого ножа также затрачивается меньше энергии, чем при работе с затупившимся ножом.
- Не срезайте более $\frac{1}{3}$ всей длины травы. Выполните первую стрижку на большей высоте. Проверьте полученный результат и уменьшите высоту стрижки до необходимого уровня. Если трава высокая, передвигайте газонокосилку медленно и, при необходимости, используйте газонокосилку 2 раза.
- Если вы хотите избежать образования полос на вашем газоне, следует каждый раз стричь его в разных направлениях.

График технического обслуживания



ВНИМАНИЕ: При наклоне изделия следите за тем, чтобы воздушный фильтр был сверху, а не был обращен в сторону земли. Это может привести к повреждению двигателя.

График технического обслуживания рассчитан исходя из ежедневного использования изделия. Если изделие не используется ежедневно, интервалы техобслуживания изменятся.

Сведения о техническом обслуживании, отмеченном знаком *, см. в инструкциях в разделе *Защитные устройства на изделии на стр. 282.*

| Техническое обслуживание | Ежедневно | Ежемесячно | Каждый сезон |
|---|-----------|------------|--------------|
| Выполните общий осмотр | X | | |
| Проверьте уровень масла | X | | |
| Замените масло (первый раз через 5 часов использования, затем через каждые 50 часов использования) ¹⁴⁸ | | | X |
| Очистите изделие | X | | |
| Проверьте режущее оборудование | X | | |
| Проверьте режущую деку * | X | | |
| Проверьте рукоятку тормоза двигателя * | X | | |
| Проверьте глушитель * | | X | |
| Проверьте свечу зажигания. Очистите или замените свечу зажигания при необходимости | | | X |
| Проверьте воздушный фильтр | X | | |
| Очистите воздушный фильтр ¹⁴⁹ | | X | |
| Замените воздушный фильтр | | | X |
| Проверьте топливную систему | | | X |
| Очистите охлаждающие ребра цилиндра | | X | |
| Осмотрите и отрегулируйте трос сцепления (LC 140SP) | | | X |

Выполнение общего осмотра

- Проверьте затяжку гаек и винтов на изделии.

Очистка изделия снаружи

- Используйте щетку для удаления листьев, травы и грязи.
- Убедитесь, что воздухозаборник в верхней части двигателя не заблокирован.
- Не используйте моечный агрегат высокого давления для чистки устройства.
- Если вы используете воду для очистки изделия, не допускайте попадания воды непосредственно на двигатель.

Очистка внутренней поверхности режущей деки

- Опорожните топливный бак.

- Наклоните изделие. Убедитесь, что свеча зажигания направлена вверх.



ВНИМАНИЕ: Если положить изделие так, что воздушный фильтр будет направлен вниз, можно повредить двигатель.

- Промойте водой из шланга внутренние поверхности режущей деки.

Проверка режущего оборудования



ПРЕДУПРЕЖДЕНИЕ: Во избежание непреднамеренного запуска отсоедините кабель от свечи зажигания.



ПРЕДУПРЕЖДЕНИЕ: Надевайте защитные перчатки при техобслуживании режущего оборудования. Нож очень острый, что при неосторожном

¹⁴⁸ Если изделие эксплуатируется с большой нагрузкой или при высокой температуре окружающей среды, заменяйте моторное масло каждые 25 часов.

¹⁴⁹ В пыльных условиях или при наличии загрязнений в воздухе проводите очистку щаче. Замените воздушный фильтр, если он сильно загрязнен.

обращении может легко привести к порезам.

1. Проверьте режущее оборудование на наличие повреждений или трещин. Всегда заменяйте поврежденное режущее оборудование.
2. Осмотрите нож на наличие повреждений или следов притупления.

Примечание: После заточки ножа необходимо выполнить его балансировку. Обратитесь в сервисный центр для выполнения заточки, замены и балансировки ножа. При столкновении с препятствием, которое привело в остановке изделия, замените поврежденный нож. Сервисный центр должен определить, следует ли заточить нож или лучше его заменить.

Замена ножа

1. Заблокируйте нож деревянным бруском. (Рис. 36)
2. Снимите болт ножа.
3. Снимите нож.
4. Проверьте опору и болт ножа на наличие повреждений.
5. Проверьте вал двигателя на наличие деформации.
6. При установке нового ножа находящиеся под углом края должны быть обращены в направлении режущей деки. (Рис. 37)
7. Убедитесь, что нож совмещен с центром вала двигателя.
8. Заблокируйте нож деревянным бруском. Установите пружинную шайбу и затяните болт с шайбой моментом 45–60 Нм. (Рис. 38)
9. Проверните нож рукой и убедитесь, что он свободно вращается.



ПРЕДУПРЕЖДЕНИЕ: Используйте прочные перчатки. Нож очень острый, что при неосторожном обращении может легко привести к порезам.

10. Запустите изделие, чтобы проверить работу ножа. Если нож установлен неправильно, вы ощутите вибрацию изделия, или результат стрижки будет неудовлетворительным.

Проверка уровня масла



ВНИМАНИЕ: Слишком низкий уровень масла может привести к повреждению двигателя. Проверьте уровень масла перед запуском изделия.

1. Расположите изделие на ровной поверхности.
2. Снимите крышку масляного бака вместе с щупом.
3. Очистите щуп от масла.

4. Поместите щуп полностью в масляный бак, чтобы получить достоверную информацию об уровне масла.
5. Извлеките щуп.
6. Проверьте уровень масла на щупе.
7. Если уровень масла низкий, залейте моторное масло и проверьте уровень масла еще раз.

Примечание: Используйте воронку для предотвращения пролива.

Замена моторного масла



ПРЕДУПРЕЖДЕНИЕ: Моторное масло очень горячее сразу после остановки двигателя. Дайте двигателю остыть, прежде чем сливать моторное масло. При попадании моторного масла на кожу смойте его мылом и водой.

(Рис. 39)

Примечание: Используйте масло для 4-тактных двигателей. Убедитесь, что вязкость соответствует температуре окружающей среды.

1. Запустите изделие до полного расхода топлива в баке.
2. Отсоедините провод от свечи зажигания.
3. Снимите крышку масляного бака.
4. Слейте моторное масло из масляного бака с помощью масляного насоса (принадлежность).
5. Заправьте бак новым моторным маслом; используйте тип масла, рекомендованный в *Технические данные на стр. 290*.
6. Проверьте уровень моторного масла. См. раздел *Проверка уровня масла на стр. 287*.

Очистка пенопластового фильтра

1. Снимите крышку воздушного фильтра и пенопластовый фильтр.
2. Очистите пенопластовый фильтр с помощью мыла и воды.
3. Промойте пенопластовый фильтр чистой водой.
4. Выжмите воду из пенопластового фильтра и дайте ему высохнуть.



ВНИМАНИЕ: Не используйте сжатый воздух. Это может привести к повреждению пенопластового фильтра.

5. Пропитайте пенопластовый фильтр моторным маслом.
6. Прижмите чистую ткань к пенопластовому фильтру, чтобы удалить излишки масла.

7. Установите воздушный фильтр на место. Убедитесь, что воздушный фильтр плотно посажен на место.
8. Установите крышку воздушного фильтра на место.

Проверка свечи зажигания



ВНИМАНИЕ: Всегда используйте только указанный тип свечи. Использование неправильного типа свечи зажигания может привести к повреждению изделия.

- Проверьте свечу зажигания, если двигатель не набирает мощность, плохо заводится или плохо работает на холостых оборотах.
- Чтобы уменьшить риск появления нежелательного материала на электродах свечи зажигания, соблюдайте следующие инструкции:
 - a) Убедитесь в правильности регулировки частоты оборотов холостого хода.
 - b) Убедитесь, что используется надлежащая топливная смесь.
 - c) Убедитесь, что воздушный фильтр чист.
- Если свеча зажигания загрязнена, очистите ее и проверьте зазор между электродами, см. раздел *Технические данные* на стр. 290. (Рис. 40)
- При необходимости замените свечу зажигания.

Проверка топливной системы

- Проверьте крышку топливного бака и уплотнение крышки топливного бака на наличие повреждений.

- Проверьте топливный шланг на наличие утечек. Если топливный шланг поврежден, обратитесь в сервисный центр для его замены.

Регулировка троса сцепления (LC 140SP)

В следующих ситуациях необходимо уменьшить длину троса сцепления:

- Привод колес не включается при вытягивании петли привода или использовании рычага управления скоростью.
- При включении привода колес изделие движется медленно.

В следующих ситуациях необходимо увеличить длину троса сцепления:

- Изделие движется, когда привод колес не включен.
- Регулировка троса сцепления.
 - a) Чтобы уменьшить длину троса сцепления, поверните регулировочный винт против часовой стрелки.
 - b) Чтобы увеличить длину троса сцепления, поверните регулировочный винт по часовой стрелке. (Рис. 41)

Если после регулировки изделие по-прежнему движется ненадлежащим образом, обратитесь к дилеру по обслуживанию

Поиск и устранение неисправностей двигателя

| Проблема | Возможная причина | Решение |
|---------------------------|---|---|
| Двигатель не запускается. | Кабель зажигания подсоединен неправильно. | Подсоедините кабель зажигания к свече зажигания. |
| | Топливный бак пуст. | Заполните топливный бак топливом соответствующего типа. |
| | Старое топливо. | Опорожните топливный бак и карбюратор. Заправьте свежим бензином. |
| | Грязь в карбюраторе или топливопроводе. | Очистите карбюратор и/или топливопровод. |
| | Неисправна свеча зажигания. | Отрегулируйте зазор между электродами, очистите или замените свечу зажигания. |
| | Топливо попало на свечу зажигания. | Очистите свечу зажигания. |

| Проблема | Возможная причина | Решение |
|--|--|--|
| Двигатель не останавливается. | Механизм останова неисправен. | Отсоедините кабель от свечи зажигания. Обратитесь в авторизованный сервисный центр для выполнения ремонта изделия. |
| Двигатель работает рывками. | Кабель зажигания подсоединен неправильно. | Подсоедините кабель зажигания к свече зажигания. |
| | В топливопроводе присутствует грязь, или топливо просрочено. | Очистите топливопровод. Залейте в топливный бак новое топливо подходящего типа. |
| | Крышка топливного бака засорена. | Очистите крышку топливного бака. |
| | В топливной системе присутствует вода или грязь. | Опорожните топливный бак. Залейте в топливный бак новое топливо подходящего типа. |
| | Воздушный фильтр загрязнен. | Очистите воздушный фильтр. |
| | Необходимо отрегулировать карбюратор. | Обратитесь в сервисный центр для выполнения регулировки карбюратора. |
| Двигатель перегрет. | Слишком низкий уровень моторного масла. | Залейте моторное масло. |
| | Недостаточный поток воздуха. | Очистите воздушный фильтр и корпус воздушного фильтра. |
| | Необходимо отрегулировать карбюратор. | Обратитесь в сервисный центр для выполнения регулировки карбюратора. |
| При работе на высокой скорости в двигателе возникают пропуски зажигания. | Зазор между электродами свечи зажигания слишком мал. | Отрегулируйте зазор между электродами. |
| Необычные шумы двигателя при нормальной нагрузке. | Неправильный тип бензина. | Опорожните топливный бак и карбюратор. Заправьте свежим бензином. См. раздел <i>Заправка топливом на стр. 284</i> . Если не удается устранить неисправность, обратитесь в местный сервисный центр. |
| Некорректная работа двигателя на холостых оборотах. | Свеча зажигания загрязнена, неисправна, или зазор между электродами слишком большой. | Отрегулируйте зазор между электродами или замените свечу зажигания. |
| | Необходимо отрегулировать карбюратор. | Отрегулируйте карбюратор. |
| | Воздушный фильтр загрязнен. | Очистите воздушный фильтр. |

Транспортировка, хранение и утилизация

Транспортировка и хранение

- Перед помещением на хранение и транспортировкой изделия и топлива убедитесь в отсутствии утечек или испарения топлива. Искры или источники открытого огня, например, от электрических устройств или котлов, могут привести к пожару.
- Всегда используйте рекомендованные контейнеры для хранения и транспортировки топлива.
- Перед помещением изделия на длительное хранение опорожните топливный бак. Утилизируйте топливо в специально предназначенном для этого месте.
- Надежно закрепите изделие на время транспортировки для предотвращения повреждений или аварий.

- Храните изделие в запечатом помещении для предотвращения доступа к изделию детей или посторонних лиц.
- Храните изделие в сухом и защищенном от низких температур месте.

Утилизация

- Соблюдайте местное законодательство и действующие нормы в области переработки.
- Утилизируйте все химические вещества, такие как моторное масло или топливо, в сервисном центре или в специально предназначенном для этого месте.
- Если изделие больше не эксплуатируется, отправьте его дилеру Husqvarna или утилизируйте в пункте переработки.

Технические данные

Технические данные

| | LC 140P | LC 140SP |
|--|---|---|
| Двигатель | | |
| Марка | Husqvarna | Husqvarna |
| Название модели двигателя | HS 123A | HS 123A |
| Тип двигателя | Одноцилиндровый, 4-тактный, с принудительным воздушным охлаждением, OHV | Одноцилиндровый, 4-тактный, с принудительным воздушным охлаждением, OHV |
| Рабочий объем, см ³ | 123 | 123 |
| Частота вращения, об/мин | 3000 | 3000 |
| Номинальная мощность двигателя, кВт ¹⁵⁰ | 1,95 | 1,95 |
| Система зажигания | | |
| Свеча зажигания | Husqvarna HQT-7 | Husqvarna HQT-7 |
| Зазор между электродами, мм | 0,7-0,8 | 0,7-0,8 |
| Топливная система и система смазки | | |

¹⁵⁰ Указанная номинальная мощность двигателя — это средняя полезная мощность типичного серийного двигателя при указанной частоте вращения (об/мин) для определенной модели двигателя, измеренная в соответствии со стандартом SAE J1349/ISO1585. Показатели двигателей массового производства могут отличаться от этого значения. Фактическая выходная мощность двигателя, установленного на определенном изделии, зависит от рабочей скорости, условий окружающей среды и других параметров.

| | LC 140P | LC 140SP |
|--|-----------------------|-----------------------|
| Тип смазки двигателя | Разбрызгивание | Разбрызгивание |
| Емкость топливного бака, л | 0,9 | 0,9 |
| Емкость масляного бака, л | 0,5 | 0,5 |
| Моторное масло ¹⁵¹ | Husqvarna SAE 30 | Husqvarna SAE 30 |
| Вес | | |
| С пустыми баками, кг | 25,2 | 26,8 |
| Излучение шума ¹⁵² | | |
| Уровень мощности звука, измеренный, дБ (А) | 93 | 93 |
| Уровень мощности звука, гарантированный, L _{WA} , дБ(А) | 95 | 95 |
| Уровни шума ¹⁵³ | | |
| Уровень шумового давления на уши оператора, дБ(А) | 81 | 81 |
| Уровни вибрации ¹⁵⁴ | | |
| Вибрации на рукоятке, м/с ² | 5,6 | 7,6 |
| Режущее оборудование | | |
| Высота стрижки, мм | 25–75 | 25–75 |
| Ширина стрижки, мм | 400 | 400 |
| Режущая система | Сбор / задний выброс | Сбор / задний выброс |
| Ножи - стандартные | Collection 5873863-10 | Collection 5873863-10 |
| Емкость травосборника, л | 50 | 50 |
| Привод | | |
| Скорость самостоятельного хода, км/ч | – | 4 |

¹⁵¹ Если при температуре ниже +5 °С используется масло SAE-30, существует риск того, что смазка двигателя будет недостаточной. Это может привести к повреждению двигателя. Информацию о масле, подходящем для использования при низких температурах, см. в *Замена моторного масла на стр. 287*.

¹⁵² Излучение шума в окружающую среду измеряется как мощность звука (L_{WA}) согласно директиве ЕС 2000/14/ЕС.

¹⁵³ Указанные данные об уровне шумового давления имеют типичный статистический разброс (стандартное отклонение) в 1,2 дБ (А).

¹⁵⁴ Указанные данные об уровне вибрации имеют типичный статистический разброс (стандартное отклонение) 0,2 м/с².

Декларация соответствия ЕС

Декларация соответствия ЕС

Husqvarna AB, SE-561 82 Huskvarna, Швеция, тел.: +46-36-146500, настоящим заявляет, что **газонокосилка Husqvarna LC 140P, LC 140SP** 2020 года выпуска и далее соответствует требованиям ДИРЕКТИВЫ СОВЕТА ЕС:

- от 8 июня 2011 года "об ограничении по использованию опасных веществ" **2011/65/EU**
- от 17 мая 2006 года "о механическом оборудовании" **2006/42/EC**
- от 26 февраля 2014 года "об электромагнитной совместимости" **2014/30/EU**
- от 8 мая 2000 года "об излучении шума в окружающую среду" **2000/14/EC**

Информация по излучению шума представлена в разделе "Технические данные".

Применяются следующие стандарты:

EN ISO 5395-1:2013, EN ISO 5395-1:2013/A1, EN ISO 5395-2:2013, EN ISO 5395-2:2013/A1:2016, EN ISO 5395-2:2013/A2:2017, EN ISO 14982:2009

Если не указано иначе, подразумевается последняя опубликованная редакция стандартов.

Уполномоченная организация: **0036, TÜV SÜD Industrie Service GmbH, Westendstrasse 199, 80686 München, Germany** произвела оценку соответствия согласно приложению VI к Директиве 2000/14/ЕС.

Huskvarna, 2020-10-20



Клаес Лосдал (Claes Losdal), директор Отдела разработки/Садовая техника (Уполномоченный представитель Husqvarna AB и ответственный за техническую документацию)

141400, Московская обл., Г. Химки, ул. Ленинградская, владение 39, строение 6, здание II этаж 4, помещение OB02_04, телефон горячей линии 8-800-200-1689

Obsah

| | | | |
|-----------------|-----|---|-----|
| Úvod..... | 293 | Riešenie problémov s motorom..... | 301 |
| Bezpečnosť..... | 294 | Preprava, skladovanie a likvidácia..... | 302 |
| Montáž..... | 296 | Technické údaje..... | 303 |
| Prevádzka..... | 297 | ES vyhlásenie o zhode..... | 305 |
| Údržba..... | 298 | | |

Úvod

Popis výrobku

Tento výrobok je rotačná kosačka na trávu s chodiacou obsluhou. Tráva sa zhromažďuje do zberného koša. Na vyprázdenie trávy zo zadnej časti odstráňte zberný kôš.

Prehľad výrobku

(Obr. 1)

1. Držadlo/rukoväť
2. Páka pohonu (LC 140SP)
3. Rukoväť štartovacieho lanka
4. Zberný kôš
5. Palivová nádrž
6. Vzduchový filter
7. Zapalovacia sviečka
8. Kryt rezacej časti
9. Tlmič výfuku
10. Uzáver nádrže na olej
11. Páka výšky rezu
12. Zadný kryt
13. Rukoväť motorovej brzdy
14. Symboly
15. Zostava spodnej rukoväti
16. Spodná rukoväť
17. Návod na obsluhu
18. Lievik na olej

Symboly na výrobku

- (Obr. 2) **UPOZORNENIE!** Postupujte opatrne a používajte výrobok správnym spôsobom. Tento výrobok môže spôsobiť vážne poranenie alebo usmrtenie obsluhujúceho pracovníka alebo iných osôb.
- (Obr. 3) Skôr než začnete stroj používať, pozorne si prečítajte návod na obsluhu a presvedčíte sa, že ste porozumeli jeho obsahu.
- (Obr. 4) Dávajte pozor na vymrštené predmety a spätné nárazy.

Plánované použitie

Produkt používajte na kosenie trávy. Výrobok nepoužívajte na iné účely.

(Obr. 5) Dbajte na to, aby osoby a zvieratá nevstupovali do pracovnej oblasti.

(Obr. 6) Upozornenie: Udržiavajte ruky a chodidlá mimo dosahu rotujúceho noža.

(Obr. 7) Upozornenie: Udržiavajte ruky a chodidlá mimo dosahu rotujúcich častí.

(Obr. 8) Pred vykonávaním opráv a údržby vypnite motor a odpojte kábel zapalovania.

(Obr. 9) Tento výrobok je v súlade s príslušnými smernicami ES.

(Obr. 10) Hlukové emisie do okolia sú v súlade so smernicou Európskeho spoločenstva. Emisie výrobku sú špecifikované v kapitole s technickými údajmi tohto návodu a na štítku.

(Obr. 11) Hrozí nebezpečenstvo požiaru.

(Obr. 12) Nevdychujte výfukové plyny. Výfukové plyny z motora obsahujú oxid uhoľnatý, plyn bez zápachu, ktorý je jedovatý a veľmi nebezpečný. Motor neštartujte v interiéri ani v uzavretých priestoroch.

(Obr. 13) Horúci povrch.

(Obr. 14) Pred štartovaním výrobku naplňte motor olejom.

Poznámka: Ostatné symboly/emblémy na výrobku odkazujú na požiadavky certifikácie pre niektoré komerčné oblasti.

Emisie Euro V



VÝSTRAHA: Nepovolená manipulácia s motorom ruší platnosť typového schválenia tohto výrobku pre EÚ.

Zodpovednosť za výrobok

V súlade s právnymi predpismi upravujúcimi zodpovednosť za výrobok nenesieme zodpovednosť za škody spôsobené našim výrobkom v dôsledku:

- nesprávne vykonanej opravy výrobku,
- opravy výrobku, pri ktorej neboli použité diely od výrobcu alebo diely schválené výrobcom,
- používania príslušenstva od iného výrobcu alebo príslušenstva, ktoré nie je schválené výrobcom,
- opravy výrobku, ktoré neboli vykonané v schválenom servisnom stredisku alebo schválenými kompetentnými osobami.

Bezpečnosť

Bezpečnostné definície

Výstrahy, upozornenia a poznámky slúžia na zdôraznenie mimoriadne dôležitých častí návodu.



VÝSTRAHA: Používa sa, ak pre obsluhu alebo osoby v okolí existuje nebezpečenstvo poranenia alebo smrti v prípade nedodržania pokynov v návode.



VAROVANIE: Používa sa, ak hrozí nebezpečenstvo poškodenia produktu, iných materiálov alebo okolitej oblasti v prípade nedodržania pokynov v návode.

Poznámka: Používa sa na poskytnutie informácií nad rámec nevyhnutných informácií v danej situácii.

Všeobecné bezpečnostné pokyny



VÝSTRAHA: Skôr než budete výrobok používať, prečítajte si nasledujúce výstrahy.

- Tento výrobok je nebezpečný, ak sa nepoužíva správne alebo ak nie ste pri jeho používaní opatrní. V prípade nedodržania bezpečnostných pokynov hrozí poranenie alebo usmrtienie.
- Tento výrobok vytvára počas prevádzky elektromagnetické pole. Toto pole môže za určitých okolností spôsobovať rušenie aktívnych alebo pasívnych implantovaných lekárskeho prístrojov. Na zníženie rizika vážneho alebo smrteľného zranenia odporúčame, aby sa osoby s implantovanými lekárskeho prístrojmi poradili so svojím lekárom a výrobcom pomôcky ešte pred použitím tohto výrobku.
- Vždy zachovávajte opatrnosť a riadte sa zdravým úsudkom. Ak si v určitých situáciách nie ste istí, ako máte výrobok používať, výrobok nepoužívajte a pred pokračovaním v práci sa poraďte s predajcom spoločnosti Husqvarna.
- Myslite na to, že operátor bude zodpovedný za nehody zahŕňajúce iné osoby alebo ich majetok.

- Výrobok udržiavajte čistý. Uistite sa, že sú symboly a emblémy čitateľné.
- Nedovoľte, aby výrobok používali iné osoby, pokiaľ sa neustíte, že si prečítali tento návod na obsluhu a porozumeli jeho obsahu.
- Nedovoľte, aby výrobok používali deti.
- Deti držte v bezpečnej vzdialenosti od pracovnej oblasti. Vyžaduje sa neustála prítomnosť zodpovednej dospeléj osoby.
- Nedovoľte, aby výrobok používali osoby, ktoré nepoznajú potrebné pokyny.
- Osoby so zníženými fyzickými alebo duševnými schopnosťami musia byť počas používania výrobku vždy pod dozorom. Vyžaduje sa neustála prítomnosť zodpovednej dospeléj osoby.
- Výrobok nepoužívajte, ak ste unavení, chorí alebo ste pod vplyvom alkoholu, drog alebo liekov. Vyššie uvedené prípady majú negatívny vplyv na váš zrak, ostražitosť, koordináciu a úsudok.
- Výrobok nepoužívajte, ak je poškodený.
- Výrobok žiadnym spôsobom neupravujte ani nepoužívajte, ak existuje možnosť, že bol upravený inými osobami.
- Nemeňte nastavenie regulácie otáčok motora.

Bezpečnosť na pracovisku



VÝSTRAHA: Skôr než budete používať produkt, prečítajte si nasledujúce výstrahy.

- Pred použitím výrobku odstráňte z pracovnej oblasti všetky predmety, ako sú napr. konáre, vetvy a kamene.
- Predmety, ktoré narazia na rezné zariadenie, môžu byť vymrštené a spôsobiť poranenie osôb alebo poškodenie iných predmetov. Dávajte pozor, aby okolo stojace osoby a zvieratá nevstupovali do pracovnej oblasti.
- Výrobok nikdy nepoužívajte počas nepriaznivých poveternostných podmienok, napríklad v hmle, v daždi, v silnom vetre, v silnom mraze, pri vysokom riziku búrkania. Používanie výrobku počas nepriaznivých poveternostných podmienok alebo na vlhkých alebo mokrych miestach je namáhavé.

Nepriaznivé poveternostné podmienky môžu mať za následok vznik nebezpečných podmienok, akými sú napr. klzké povrchy.

- Dávajte pozor na osoby, predmety a situácie, ktoré môžu zamedziť bezpečnej prevádzke výrobku.
- Dávajte pozor na prekážky, ako sú napr. korene, kamene, halúzky, jamy a priekopy. Vysoká tráva môže zakrývať prekážky.
- Kosenie trávy na svahoch môže byť nebezpečné. Výrobok nepoužívajte na svahoch so sklonom viac ako 15 °.
- S výrobkom sa pohybujte po vrstevnici. Nepohybujte sa smerom do svahu a zo svahu.
- V blízkosti skrytých rohov a objektov, ktoré vám bránia vo výhlade, sa pohybujte opatrne.

Bezpečnosť pri práci



VÝSTRAHA: Skôr než budete výrobok používať, prečítajte si nasledujúce výstrahy.

- Tento výrobok používajte len na kosenie trávy. Výrobok sa nesmie používať na iné úlohy.
- Používajte osobné ochranné pomôcky. Pozrite si časť *Osobné ochranné prostriedky na strane 295*.
- Naučte sa, ako v prípade núdze rýchlo zastaviť motor.
- Nikdy neštartujte motor v uzavretých priestoroch alebo v blízkosti horľavého materiálu. Výfukové plyny z motora sú horúce a môžu obsahovať iskry, ktoré môžu vyvolať požiar.
- Výrobok nepoužívajte, pokiaľ nie sú nôž a všetky kryty správne upevnené. Nesprávne pripojený nôž sa môže uvoľniť a spôsobiť poranenia osôb.
- Uistite sa, že nôž nenarazí na predmety, ako sú napr. kamene alebo korene. Môže dôjsť k poškodeniu noža a ohnutiú hriadeľa motora. Ohnutá náprava spôsobuje silné vibrácie a vzniká veľké nebezpečenstvo uvoľnenia noža.
- Ak nôž narazí na predmet alebo ak cítite vibrácie, výrobok okamžite vypnite. Odpojte kábel zapalovania od zapalovacej sviečky. Skontrolujte, či nie je výrobok poškodený. Opravte akékoľvek poškodenie alebo kontaktujte servisného zástupcu.
- Keď je naštartovaný motor, rukoväť motorovej brzdy nesmie byť nikdy trvalo pripevnená k rukoväti.
- Položte výrobok na stabilný, rovný povrch a naštartujte ho. Uistite sa, že sa nôž nedostane do kontaktu so zemou alebo inými predmetmi.
- Pri obsluhu vždy stojte za výrobkom.
- Pri obsluhu výrobku dávajte pozor, aby všetky kolesá dosadali na zem a rukoväť držte oboma rukami. Udržiavajte ruky a chodidlá mimo dosahu rotujúcich nožov.
- Keď je motor spustený, výrobok nenakláňajte.
- Pri ťahaní výrobku smerom dozadu buďte opatrní.

- Výrobok nikdy nedvíhajte, keď je spustený motor. Ak musíte výrobok zdvihnúť, najprv vypnite motor a odpojte kábel zapalovania od zapalovacej sviečky.
- Počas obsluhy výrobku necúvajte.
- Pri prechádzaní cez oblasti bez trávy, ako sú napr. štrkové, kamenné a asfaltové chodníky, vypnite motor.
- Keď je zapnutý motor, s výrobkom neutekajte. Počas obsluhy výrobku vždy kráčajte.
- Pred zmenou výšky rezu zastavte motor. Nikdy nevykonávajte nastavenia so spusteným motorom.
- Nikdy nenechávajte výrobok bez dozoru, keď je zapnutý motor. Zastavte motor a uistite sa, že sa rezná zariadenie neotáča.

Bezpečnostné pokyny pre prevádzku

Osobné ochranné prostriedky



VÝSTRAHA: Skôr než budete výrobok používať, prečítajte si nasledujúce výstrahy.

- Osobné ochranné prostriedky nedokážu úplne vylúčiť riziko, ale môžu znížiť vážnosť zranenia v prípade nehody. Váš predajca vám pomôže pri výbere správnych prostriedkov.
- Ak hladina hluku je vyššia ako 85 dB, používajte chrániče sluchu.
- Noste odolné protišmykové topánky. Výrobok neobsluhujte v otvorených topánkach ani s bosými nohami.
- Noste dlhé odolné nohavice.
- Keď je to potrebné, používajte ochranné rukavice, ako napríklad pri montáži, kontrole alebo čistení rezného zariadenia.

Bezpečnostné zariadenia na výrobku



VÝSTRAHA: Skôr než budete produkt používať, prečítajte si nasledujúce výstrahy.

- Nepoužívajte produkt, ktorý má chybné bezpečnostné zariadenia.
- Pravidelne kontrolujte bezpečnostné zariadenia. Ak sú bezpečnostné zariadenia chybné, obráťte sa na servisného zástupcu spoločnosti Husqvarna.

Kontrola krytu rezacej časti

Kryt rezacej časti tlmi vibrácie vo výrobku a znižuje riziko poranenia kotúčom.

- Skontrolujte kryt rezacej časti, aby ste sa uistili, že na ňom nie sú žiadne známky poškodenia, ako sú napr. praskliny.

Kontrola rukoväte motorovej brzdy.

Rukoväť motorovej brzdy slúži na zastavenie motora. Keď rukoväť motorovej brzdy uvoľníte, motor sa zastaví.

- Naštartujte motor a potom uvoľníte rukoväť motorovej brzdy. Ak sa motor v priebehu 3 sekúnd nezastaví, požiadajte servisného zástupcu spoločnosti Husqvarna o nastavenie motorovej brzdy. (Obr. 15)

Tlmič výfuku

Tlmič výfuku slúži na udržovanie minimálnej hladiny hluku a na smerovanie výfukových plynov smerom od operátora.

Nepoužívajte produkt, ak tlmič výfuku chýba alebo je poškodený. Poškodený tlmič výfuku zvyšuje hladinu hluku a riziko požiaru.



VÝSTRAHA: Tlmič výfuku je veľmi horúci počas prevádzky, po nej a tiež počas behu motora na voľnobeh. Zachovávajúte opatrnosť v okolí horľavých materiálov alebo výparov, aby ste nespôsobili požiar.

Bezpečnosť paliva



VÝSTRAHA: Skôr než budete používať produkt, prečítajte si nasledujúce výstrahy.

- Výrobok neštartujte, ak sú na ňom zvyšky paliva alebo motorového oleja. Odstráňte neželané palivo/olej a nechajte výrobok vyschnúť.
- Ak vylejete palivo na odev, okamžite sa prezlečte.
- Dávajte pozor, aby ste si palivo nevyliali na telo, pretože môže spôsobiť poranenie. Ak si palivo vylejete na telo, umyte sa pomocou mydla vody.
- Výrobok neštartujte, ak sa na motore vyskytuje netesnosť. Pravidelne kontrolujte výskyt netesností na motore.
- Pri manipulácii s palivom zachovajte opatrnosť. Palivo je horľavá látka a výpary z paliva sú výbušné a môžu spôsobiť poranenia alebo smrť.
- Vyhňte sa vdychovaniu výparov paliva, pretože môžu spôsobiť poranenie. Zabezpečte dostatočné prúdenie vzduchu.
- V blízkosti paliva alebo motora nefajčite.
- Neukladajte do blízkosti paliva alebo motora teplé predmety.

- Nedopĺňajte palivo, keď je zapnutý motor.
- Pred dopĺňaním paliva sa uistite, že motor vychladol.
- Pred dopĺňaním paliva pomaly otvorte veko palivovej nádrže a opatrne uvoľníte tlak.
- Palivo do motora nedopĺňajte v interiéri. Nedostatočné prúdenie vzduchu môže spôsobiť poranenie alebo smrť v dôsledku uduseného alebo otravy oxidom uhoľnatým.
- Veko palivovej nádrže pevne utiahnite. Ak nie je veko palivovej nádrže pevne utiahnuté, existuje riziko vzniku požiaru.
- Pred naštartovaním premiestnite výrobok minimálne 3 m od miesta, kde ste dopĺňali palivo do nádrže.
- Palivovú nádrž nedopĺňajte úplne doplna. Teplo spôsobuje expanziu paliva. Uchovajte miesto navrchu palivovej nádrže.

Bezpečnostné pokyny pre údržbu



VÝSTRAHA: Skôr než budete používať produkt, prečítajte si nasledujúce výstrahy.

- Výfukové plyny z motora obsahujú oxid uhoľnatý, plyn bez zápachu, ktorý je jedovatý a veľmi nebezpečný. Motor neštartujte v interiéri ani v uzavretých priestoroch.
- Pred vykonávaním údržby výrobku zastavte motor a odpojte kábel zapaľovania od zapaľovacej sviečky.
- Pri vykonávaní údržby rezného zariadenia používajte ochranné rukavice. Čepel je veľmi ostrá a ľahko môže dôjsť k porезaniu.
- Príslušenstvo a úprava výrobku, ktoré neschválil výrobca, môžu spôsobiť vážne poranenia alebo smrť. Výrobok neupravujte. Vždy používajte príslušenstvo schválené výrobcom.
- Nepravidelná a nesprávne vykonaná údržba zvyšuje nebezpečenstvo poranenia a poškodenia výrobku.
- Vykonávajte len údržbu uvedenú v tomto návode na používanie. Všetky ostatné práce týkajúce sa údržby musí vykonávať schválený servisný zástupca spoločnosti Husqvarna.
- Výrobok nechajte pravidelne kontrolovať kvôli údržbe u schváleného servisného zástupcu spoločnosti Husqvarna.
- Vymeňte všetky poškodené, opotrebované alebo zlomené diely.

Montáž

Montáž rukoväti

1. Zatláčte skrutku (A) cez rukoväť (B), plastovú podložku (C) a opornú podperu rukoväti (D). (Obr. 16)
2. Maticu (E) utiahnite na doraz.

3. Zatláčte skrutku (F) cez podložku (G) a opornú podperu rukoväti.
4. Gombík (H) utiahnite na doraz.
5. Zarovnajte otvory na rukoväti s otvormi na spodnej rukoväti a upevnite skrutky, podložky a gombíky. Gombíky utiahnite na doraz. (Obr. 17)

6. Pomocou držiakov na káble pripevnite káble k rukoväti. (Obr. 18)

Poznámka: Uistite sa, že káble nie sú príliš napnuté. Nadmerné napnutie kábla môže pri skladaní rukoväti do transportnej polohy poškodiť kábel.

7. Umiestnite káble okolo háku v spodnej časti rukoväti. (Obr. 19)

Nastavenie výšky držadla

1. Uvoľnite spodné gombíky. (Obr. 20)
2. Odmontujte gombík, podložku a skrutku na ľavej a pravej strane.
3. Výšku rukoväti možno nastaviť do 2 polôh. Zasuňte skrutku do jedného z dvoch otvorov na ľavej a pravej strane. (Obr. 21)
4. Upevnite skrutky, podložky a gombíky.
5. Posuňte gombíky nahor smerom k rukoväti, kým sa nezastavia a nebudete počuť kliknutie. Gombíky utiahnite na doraz. (Obr. 22)

Nastavenie výrobku do transportnej polohy

1. Odstráňte zberný kôš.
2. Uvoľnite gombíky na hornej rukoväti a sklopte rukoväť nadol. (Obr. 23)

3. Uvoľnite spodné gombíky.
4. Posuňte gombíky smerom k spodnej časti drážok na ľavej a pravej strane výrobku. (Obr. 24)
5. Sklopte držadlo dopredu. (Obr. 25)

Nastavenie výrobku do prevádzkovej polohy

1. Dvihajte rukoväť, kým sa jej spodná časť nezaistí v prevádzkovej polohe. (Obr. 26)
2. Posuňte gombíky nahor smerom k rukoväti, kým sa nezastavia a nebudete počuť kliknutie.
3. Gombíky utiahnite na doraz. (Obr. 27)
4. Nadvihnite hornú časť rukoväti.
5. Gombíky utiahnite na doraz. (Obr. 28)

Zostavenie zberného koša

1. Vložte hornú časť zberného koša do spodnej časti zberného koša. (Obr. 29)
2. Rám zberného koša upevnite príchytkami. (Obr. 30)
3. Nadvihnite zadný kryt.
4. Upevnite háčiky na zbernom koši na horný okraj rámu. (Obr. 31)
5. Vložte spodnú časť zberného koša do kanála na vyhadzovanie trávy.

Prevádzka

Úvod



VÝSTRAHA: Pred používaním výrobku si musíte prečítať kapitolu o bezpečnosti a porozumieť informáciám, ktoré sa v nej uvádzajú.

Husqvarna Connect

Husqvarna Connect je bezplatná aplikácia pre mobilné zariadenia. Aplikácia Husqvarna Connect prináša rozšírené funkcie pre výrobok Husqvarna:

- Rozšírené informácie o výrobku.
- Informácie a podpora vzťahujúce sa na súčasti výrobku a servis.

Ak chcete začať, použite Husqvarna Connect

1. Stiahnite si aplikáciu Husqvarna Connect do mobilného zariadenia.
2. Zaregistrujte sa v aplikácii Husqvarna Connect.
3. Ak chcete pripojiť a zaregistrovať produkt, postupujte podľa pokynov v aplikácii Husqvarna Connect.

Pred obsluhou zariadenia

1. Pozorne si prečítajte tento návod na obsluhu a uistite sa, že ste porozumeli pokynom.
2. Skontrolujte rezné zariadenie a uistite sa, že je správne upevnené a nastavené. Pozrite si kapitolu *Kontrola rezného zariadenia na strane 299*.
3. Nalejte palivo do palivovej nádrže. Pozrite si kapitolu *Doplňanie paliva na strane 297*.
4. Naplňte nádrž a skontrolujte hladinu oleja. Pozrite si kapitolu *Kontrola hladiny oleja na strane 300*.

Doplňanie paliva

Ak je to možné, použite benzín s nízkou emisnou triedou/alkylátové palivo. Ak benzín s nízkou emisnou triedou/alkylátové palivo nie sú dostupné, použite kvalitný bezolovnatý benzín alebo olivnatý benzín s oktanovým číslom najmenej 91.



VAROVANIE: Nepoužívajte benzín s oktanovým číslom nižším ako 91 RON. Mohlo by to viesť k poškodeniu výrobku.



VAROVANIE: Vymieňajte palivový filter každý rok alebo častejšie, ak je to potrebné.

Nový palivový filter je v ponuke u vášho predajcu Husqvarna.



VAROVANIE: Pred dopĺňaním paliva vždy zastavte motor.



VAROVANIE: Nepoužívajte stlačené štartovacie kvapaliny (napr. v spreji).

1. Pomalým otvorením veka palivovej nádrže uvoľnite tlak.
2. S použitím kanistra opatrne doplňte palivo. Ak sa palivo vyleje, pomocou handričky ho utrite a zvyšné palivo nechajte vyschnúť. (Obr. 32)
3. Vyčistite priestor okolo veka palivovej nádrže.
4. Veko palivovej nádrže pevne utiahnite. Ak nie je veko palivovej nádrže pevne utiahnuté, existuje riziko vzniku požiaru.
5. Pred naštartovaním premiestnite výrobok minimálne 3 m od miesta, kde ste dopĺňali palivo do nádrže.

Nastavenie výšky rezu

1. Ak chcete zvýšiť výšku rezu, posuňte páku výšky rezu smerom dozadu.
2. Ak chcete znížiť výšku rezu, posuňte páku výšky rezu smerom dopredu. (Obr. 33)



VAROVANIE: Nenastavujte výšku rezu príliš nízko. Ak nie je povrch trávnik rovny, nože môžu narážať o zem.

Zapnutie výrobku

1. Uistite sa, že je kábel zapalovania pripojený k zapalovacej sviečke.
2. Stojte za výrobkom.
3. Rukoväť motorovej brzdy držte oproti hornej rukoväti. (Obr. 34)

4. Pevne uchopte rukoväť štartovacieho lanka pravou rukou.
5. Pomaly potiahnite štartovacie lanko, kým nepocítite istý odpor.
6. Silným potiahnutím naštartujte motor.



VÝSTRAHA: Štartovacie lanko si neovíjajte okolo ruky.

Používanie pohonu na kolesách

- Potlačte páku pohonu smerom k hornej rukoväti. (Obr. 35)
- Uvoľnením páky pohonu deaktivujete pohon, napr. keď sa pohybujete v blízkosti prekážok.
- Pred potiahnutím výrobku smerom dozadu deaktivujete pohon a potlačte výrobok zhruba 10 cm dopredu.

Vypnutie výrobku

- Ak chcete vypnúť len pohon, uvoľnite páku pohonu.
- Ak chcete vypnúť motor, uvoľnite rukoväť motorovej brzdy.

Zabezpečenie optimálnych výsledkov kosenia

- Vždy používajte ostrý nôž. Tupý nôž poskytuje nepravidelné výsledky kosenia a pokosený povrch trávnik zozitne. Ostrý nôž spotrebuje menej energie ako tupý nôž.
- Nekoste viac ako 1/3 dĺžky trávy. Najprv koste s nastavenou vysokou výškou rezu. Skontrolujte výsledok a znížte výšku rezu na príslušnú úroveň. Ak je tráva veľmi vysoká, pohybujte sa pomaly a ak je to potrebné, pokoste ju dvakrát.
- Zakaždým koste iným smerom, aby ste predišli vzniku pruhov na trávniku.

Údržba

Úvod



VÝSTRAHA: Pred vykonávaním akejkoľvek údržby si musíte prečítať kapitolu o bezpečnosti a porozumieť jej.

Údržba a opravné práce na výrobku si vyžadujú špeciálne školenie. Zaručujeme dostupnosť profesionálnych opravných prác a údržby. Ak váš predajca nie je servisný zástupca, kontaktujte predajcu, ktorý vám poskytne informácie o najbližšom servisnom zástupcovi.



VAROVANIE: Uistite sa, že vzduchový filter je na vrchnej strane výrobku a nie smerom do zeme, keď výrobok nakloníte. Hrozí nebezpečenstvo poškodenia motora.

Intervaly údržby sú vypočítané na základe každodenného používania výrobku. Ak sa výrobok nepoužíva každý deň, tieto intervaly sa menia.

Informácie o prvkoch údržby označených symbolom „**“ nájdete v pokynoch v časti *Bezpečnostné zariadenia na výrobku na strane 295*.

| Údržba | Denne | Mesačne | Každú sezónu |
|--|-------|---------|--------------|
| Vykonajte všeobecnú kontrolu | X | | |
| Skontrolujte hladinu oleja | X | | |
| Vymeňte olej (prvýkrát po 5 hodinách používania, potom po každých 50 hodinách používania) ¹⁵⁵ | | | X |
| Vyčistíte výrobok | X | | |
| Skontrolujte rezné zariadenie | X | | |
| Skontrolujte kryt rezacej časti * | X | | |
| Skontrolujte rukoväť motorovej brzdy * | X | | |
| Skontrolujte tlmič výfuku * | | X | |
| Skontrolujte zapalovaciu sviečku. V prípade potreby vyčistíte alebo vymeňte zapalovaciu sviečku. | | | X |
| Skontrolujte vzduchový filter | X | | |
| Vyčistíte vzduchový filter ¹⁵⁶ | | X | |
| Vymeňte vzduchový filter | | | X |
| Skontrolujte palivový systém | | | X |
| Vyčistíte chladiace rebrá valca | | X | |
| Skontrolujte a nastavte lanko spojky (LC 140SP) | | | X |

Vykonanie všeobecnej kontroly

- Uistite sa, že sú dotiahnuté všetky matice aj skrutky na výrobku.

Čistenie externých povrchov výrobku

- Pomocou kefy odstráňte listy, trávu a nečistoty.
- Uistite sa, že nie je zablokované nasávanie vzduchu vo vrchnej časti motora.
- Na čistenie výrobku nepoužívajte vysokotlakový čistič.
- Ak na čistenie výrobku použijete vodu, nelejte vodu priamo na motor.

Čistenie vnútorného povrchu krytu rezacej časti

1. Vyprázdňte palivovú nádrž.
2. Nakloňte výrobok. Ubezpečte sa, že zapalovacia sviečka je orientovaná hrotom nahor.



VAROVANIE: Ak výrobok položíte tak, že vzduchový filter bude smerovať nadol, môže dôjsť k poškodeniu motora.

3. Pomocou hadice vystriekajte vnútorné povrchy krytu rezacej časti.

Kontrola rezného zariadenia



VÝSTRAHA: Aby ste zabránili náhodnému naštartovaniu, odpojte kábel zapalovania od zapalovacej sviečky.



VÝSTRAHA: Pri vykonávaní údržby rezného zariadenia používajte ochranné rukavice. Čepel je veľmi ostrá a ľahko môže dôjsť k porezaniu.

1. Skontrolujte, či sa na reznom zariadení nenachádzajú známky poškodenia alebo praskliny. Poškodené rezné zariadenie vždy vymeňte.
2. Skontrolujte, či nie je poškodený alebo tupý nôž.

¹⁵⁵ Ak je produkt ťažko namáhaný alebo používaný pri vysokej teplote prostredia, vymeňte motorový olej každých 25 hodín.

¹⁵⁶ Filter čistite častejšie, ak sa vo vzduchu pri používaní výrobku nachádza veľa prachových alebo iných častíc. Vymeňte vzduchový filter, ak je veľmi znečistený.

Poznámka: Po nabrúsení je potrebné nôž vyrovnať. Nôž nechajte nabrúsiť, vymeniť a vyrovnať v servisnom stredisku. Ak narazíte na predmet, ktorý spôsobí zastavenie výrobku, vymeňte poškodený nôž. Nechajte, aby servisné stredisko rozhodlo, či je možné nôž nabrúsiť alebo sa musí vymeniť.

Výmena noža

1. Pomocou dreveného bloku zaistíte nôž. (Obr. 36)
2. Odstráňte skrutku noža.
3. Odstráňte čepel.
4. Skontrolujte držiak noža a skrutku noža kvôli známkam poškodenia.
5. Skontrolujte hriadeľ motora a uistite sa, že nie je ohnutý.
6. Pri upevňovaní nového noža nasmerujte zošíkmené konce noža v smere krytu rezacej časti. (Obr. 37)
7. Uistite sa, že je nôž zarovnaný so stredom hriadeľa motora.
8. Pomocou dreveného bloku zaistíte nôž. Pripevnite párovú podložku a utiahnite skrutku a podložku momentom 45–60 Nm. (Obr. 38)
9. Rukou potočte nožom a uistite sa, že sa voľne otáča.



VÝSTRAHA: Používajte odolné rukavice. Čepel je veľmi ostrá a ľahko môže dôjsť k porezaniu.

10. Zapnite výrobok a otestujte nôž. Ak nôž nie je správne upevnený, výrobok vibruje alebo poskytuje neuspokojivé výsledky kosenia.

Kontrola hladiny oleja



VAROVANIE: Príliš nízka hladina oleja môže viesť k poškodeniu motora. Pred zapnutím výrobku skontrolujte hladinu oleja.

1. Položte výrobok na rovný povrch.
2. Odstráňte uzáver nádrže na olej s olejovou mierkou.
3. Očistite olej z olejovej mieryky.
4. Aby ste získali presnú úroveň hladiny oleja, olejovú mierku úplne zasuňte do nádrže na olej.
5. Vytiahnite olejovú mierku.
6. Skontrolujte hladinu oleja na olejovej mierke.
7. V prípade príliš nízkej hladiny doplňte motorový olej a opätovne skontrolujte hladinu oleja.

Poznámka: Použite lievik, aby ste zabránili úniku oleja.

Výmena motorového oleja



VÝSTRAHA: Bezprostredne po vypnutí motora je motorový olej veľmi horúci. Nechajte motor vychladnúť pred vypustením oleja. Ak sa motorový olej dostane na pokožku, očistite ju mydlom a vodou.

(Obr. 39)

Poznámka: Použite motorový olej pre štvortaktné motory. Uistite sa, že používate motorový olej správnej viskozity pre danú teplotu prostredia.

1. Výrobok používajte, kým nebude palivová nádrž prázdna.
2. Vytiahnite kábel zapalovania zo zapalovacej sviečky.
3. Odstráňte uzáver nádrže na olej.
4. Vyčerpajte motorový olej z nádrže na olej s pomocou olejového čerpadla (príslušenstvo).
5. Nalejte do nádrže nový motorový olej, pričom sa riadte odporúčaniami v kapitole *Technické údaje na strane 303*.
6. Skontrolujte hladinu oleja. Pozrite si časť *Kontrola hladiny oleja na strane 300*.

Čistenie penového plastového filtra

1. Odstráňte kryt vzduchového filtra a vyberte penový plastový filter.
2. Vyčistite penový plastový filter pomocou mydla a vody.
3. Opláchnite penový plastový filter čistou vodou.
4. Vytlačte z penového plastového filtra vodu a nechajte ho vysušiť.



VAROVANIE: Nepoužívajte stlačený vzduch. Môže spôsobiť poškodenie penového plastového filtra.

5. Namažte penový plastový filter motorovým olejom.
6. Neželany olej odstráňte pritlačením čistej handričky na penový plastový filter.
7. Vložte vzduchový filter späť na svoje miesto. Uistite sa, že filter pevne dosadá proti držiaku vzduchového filtra.
8. Nasaďte kryt vzduchového filtra.

Kontrola zapalovacej sviečky



VAROVANIE: Vždy používajte odporúčaný typ zapalovacej sviečky. Nesprávny typ zapalovacej sviečky môže spôsobiť poškodenie výrobku.

- Ak má motor slabý výkon, ťažko sa štartuje alebo pri voľnobežných otáčkach nefunguje správne, skontrolujte zapalovaciu sviečku.

- Ak chcete znížiť riziko prítomnosti neželaného materiálu na elektródach zapalovacej sviečky, postupujte takto:
 - a) Uistite sa, že voľnobežné otáčky sú správne nastavené.
 - b) Uistite sa, že používate správnu zmes paliva.
 - c) Uistite sa, že je čistý vzduchový filter.
- Ak je zapalovacia sviečka znečistená, očistite ju a skontrolujte, či je medzera medzi elektródami správna. Pozrite si časť *Technické údaje na strane 303*. (Obr. 40)
- V prípade potreby vymeňte zapalovaciu sviečku.

- pohon kolies sa nezapojí, keď potiahnete páku pohonu alebo páčku regulácie rýchlosti,
- výrobok sa pohybuje pomaly, keď sa zapojí pohon kolies.

V nasledujúcich situáciách je potrebné predĺžiť lanko spojky:

- výrobok sa pohybuje, keď pohon kolies nie je zapojený.
- Nastavenie lanka spojky
 - a) Ak chcete skrátiť lanko spojky, otáčajte nastavovaciu skrutku proti smeru hodinových ručičiek.
 - b) Ak chcete predĺžiť lanko spojky, otáčajte nastavovaciu skrutku v smere hodinových ručičiek. (Obr. 41)

Ak sa výrobok po nastavení naďalej pohybuje neuspokojivo, obráťte sa na servisného predajcu.

Kontrola palivového systému

- Skontrolujte veko palivovej nádrže a tesnenie veka palivovej nádrže a uistite sa, že nie sú poškodené.
- Skontrolujte palivovú hadicu a uistite sa, že z nej nevyteká palivo. Ak je palivová hadica poškodená, nechajte servisného zástupcu, aby ju vymenil.

Nastavenie lanka spojky (LC 140SP)

V nasledujúcich situáciách je potrebné skrátiť lanko spojky:

Riešenie problémov s motorom

| Problém | Možná príčina | Riešenie |
|-----------------------|--|---|
| Motor neštartuje. | Kábel zapalovania nie je správne pripojený. | Pripojte kábel zapalovania k zapalovacej sviečke. |
| | Palivová nádrž je prázdna. | Palivovú nádrž naplňte správnym typom paliva. |
| | Palivo je staré. | Vyčerpajte palivovú nádrž a karburátor. Znova naplňte novým benzínom. |
| | V karburátore alebo palivovom potrubí sa nachádzajú nečistoty. | Vyčistite karburátor a/alebo palivové potrubie. |
| | Zapalovacia sviečka je chybná. | Nastavte medzeru medzi elektródami, vyčistite alebo vymeňte zapalovaciu sviečku. |
| | Na zapalovacej sviečke sa nachádza palivo. | Vyčistite zapalovaciu sviečku. |
| Motor sa nezastavuje. | Mechanizmus zastavenia je poškodený. | Odpojte kábel zapalovania od zapalovacej sviečky. Opravu produktu zverte schválenému servisnému zástupcovi. |

| Problém | Možná příčina | Riešenie |
|--|--|--|
| Motor nebeží plynule. | Kábel zapalovania nie je správne pripojený. | Pripojte kábel zapalovania k zapalovacej sviečke. |
| | V palivovom potrubí sú nečistoty alebo vypršala životnosť paliva. | Vyčistíte palivové potrubie. Palivovú nádrž naplňte novým palivom správneho typu. |
| | Uzáver palivovej nádrže je zablokovaný. | Vyčistíte uzáver palivovej nádrže. |
| | V palivovom systéme sa nachádza voda alebo nečistoty. | Vyprázdnete palivovú nádrž. Palivovú nádrž naplňte novým palivom správneho typu. |
| | Vzduchový filter je špinavý. | Vyčistíte vzduchový filter. |
| | Je nutné nastaviť karburátor. | O nastavenie karburátora požiadajte servisného zástupcu. |
| Motor sa príliš prehrieva. | Hladina motorového oleja je príliš nízka. | Doplňte motorový olej. |
| | Prietok vzduchu je nedostatočný. | Očistíte vzduchový filter a telo vzduchového filtra. |
| | Je nutné nastaviť karburátor. | O nastavenie karburátora požiadajte servisného zástupcu. |
| Keď motor pracuje pri vysokých otáčkach, vynecháva sa v ňom zážih. | Medzera medzi elektródami v zapalovacej sviečke je príliš malá. | Nastavte medzeru medzi elektródami. |
| Motor vydáva nezvyčajné zvuky počas bežnej prevádzky. | Nesprávny typ benzínu. | Vyčerpajte palivovú nádrž a karburátor. Znova naplňte novým benzínom. Pozrite si časť <i>Doplňanie paliva na strane 297</i> . Ak problém pretrváva, obráťte sa na svojho regionálneho servisného zástupcu. |
| Motor nebeží plynule pri voľnobežných otáčkach. | Zapalovacia sviečka je špinavá alebo poškodená, prípadne je medzera medzi elektródami príliš široká. | Nastavte medzeru medzi elektródami alebo vymeňte zapalovaciu sviečku. |
| | Je nutné nastaviť karburátor. | Nastavte karburátor. |
| | Vzduchový filter je špinavý. | Vyčistíte vzduchový filter. |

Preprava, skladovanie a likvidácia

Preprava a uskladnenie

- Pri uskladňovaní a preprave výrobku a paliva sa uistite, že nedochádza k úniku kvapaliny a výparov. Iskry alebo otvorené plamene, napr. z elektrických zariadení alebo bojlerov, môžu vyvolať požiar.
- Na uskladnenie a prepravu paliva vždy používajte schválené kanistre.
- Pred uskladnením výrobku na dlhšiu dobu vyprázdňte palivovú nádrž. Palivo zlikvidujte v príslušnom zariadení na likvidáciu.

- Počas prepravy výrobok bezpečne upevnite, aby ste zabránili poškodeniu alebo nehodám.
- Výrobok skladujte v uzamknutom priestore mimo dosahu detí a neoprávnených osôb.
- Výrobok skladujte na suchom mieste, ktoré je chránené pred mrazom.

Likvidácia

- Dodržiavajte miestne požiadavky v oblasti recyklácie a platné predpisy.

- Všetky chemikálie, ako napr. motorový olej alebo palivo, zlikvidujte v servisnom stredisku alebo v príslušnom zariadení na likvidáciu.
- Keď už výrobok nepoužívate, pošlite ho predajcovi spoločnosti Husqvarna alebo ho zlikvidujte v recyklačnom zariadení.

Technické údaje

Technické údaje

| | LC 140P | LC 140SP |
|--|---|---|
| Motor | | |
| Značka | Husqvarna | Husqvarna |
| Názov modelu motora | HS 123A | HS 123A |
| Typ motora | Jednovalcový, 4-taktný, chladenie s núteným obehom vzduchu, OHV | Jednovalcový, 4-taktný, chladenie s núteným obehom vzduchu, OHV |
| Objem, cm ³ | 123 | 123 |
| Rýchlosť, ot./min | 3 000 | 3 000 |
| Menovitý výkon motora, kW ¹⁵⁷ | 1,95 | 1,95 |
| Systém zapalovania | | |
| Zapaľovacia sviečka | Husqvarna HQT-7 | Husqvarna HQT-7 |
| Vzdialenosť elektród, mm | 0,7 – 0,8 | 0,7 – 0,8 |
| Systém paliva a mazania | | |
| Typ mazania motora | Rozstrekaním oleja | Rozstrekaním oleja |
| Objem palivovej nádrže, litre | 0,9 | 0,9 |
| Objem olejovej nádrže, litre | 0,5 | 0,5 |
| Motorový olej ¹⁵⁸ | Husqvarna SAE 30 | Husqvarna SAE 30 |
| Hmotnosť | | |
| S prázdnyimi nádržami, kg | 25,2 | 26,8 |
| Emisie hluku¹⁵⁹ | | |
| Nameraná úroveň hlučnosti, dB(A) | 93 | 93 |
| Zaručená úroveň hlučnosti, L _{WA} dB(A) | 95 | 95 |
| Úroveň hlučnosti¹⁶⁰ | | |

¹⁵⁷ Vyznačený výkon motora je priemerný čistý výkon (pri uvedených ot./min) typického sériového motora pre model motora meraný podľa normy SAE J1349/ISO1585. Sériovo vyrábané motory sa môžu od tejto hodnoty odlišovať. Skutočný výkon motora nainštalovaného na koncovom výrobku závisí od prevádzkovej rýchlosti, podmienok okolitého prostredia a iných hodnôt.

¹⁵⁸ Ak sa motorový olej SAE-30 používa pri teplote nižšej ako +5 °C, existuje riziko, že motor nebude dostatočne mazaný. Môže tak dôjsť k poškodeniu motora. Informácie o vhodnom motorovom oleji použiteľnom pri nízkych teplotách nájdete v *Výmena motorového oleja na strane 300*.

¹⁵⁹ Hladina hluku meraná ako akustický tlak (L_{WA}) v súlade s európskou smernicou 2000/14/ES.

¹⁶⁰ Uvádzané údaje pre hladinu akustického tlaku majú typický štatistický rozptyl (štandardnú odchýlku) 1,2 dB (A).

| | LC 140P | LC 140SP |
|---|-------------------------|-------------------------|
| Hladina akustického tlaku pri uchu operátora, dB(A) | 81 | 81 |
| Úrovne vibrácií¹⁶¹ | | |
| Ekvivalentné zrýchlenie vibrácií rukoväti, m/s ² | 5,6 | 7,6 |
| Rezné zariadenie | | |
| Výška rezu, mm | 25 – 75 | 25 – 75 |
| Šírka rezu, mm | 400 | 400 |
| Kosiaci systém | Zber/bočné vyhadzovanie | Zber/bočné vyhadzovanie |
| Nôž – štandardný | Zberač 5873863-10 | Zberač 5873863-10 |
| Kapacita zberného koša, liter | 50 | 50 |
| Chod | | |
| Rýchlosť kráčania, km/h | – | 4 |

¹⁶¹ Uvádzané údaje pre ekvivalentný stupeň vibrácií majú typický štatistický rozptyl (štandardnú odchýlku) 0,2 m/s².

ES vyhlásenie o zhode

ES vyhlásenie o zhode

Husqvarna AB, SE-561 82 Huskvarna, Švédsko, tel.: +46-36-146500, vyhlasuje, že **kosačka na trávu Husqvarna LC 140P, LC 140SP** od roku výroby 2020 a ďalej spĺňa požiadavky SMERNICE RADY:

- z 8. júna 2011 o „obmedzení používania určitých nebezpečných látok“ **2011/65/EÚ**,
- zo 17. mája 2006, „Smernica o strojoch“ **2006/42/EÚ**,
- z 26. februára 2014 „vzťahujúcej sa na elektromagnetickú kompatibilitu“, **2014/30/EÚ**,
- z 8. mája 2000 „o emisiách hluku v prostredí“ **2000/14/EÚ**.

Informácie týkajúce sa emisií hluku nájdete v časti Technické údaje.

Boli uplatnené nasledujúce normy:

EN ISO 5395-1:2013, EN ISO 5395-1:2013/A1, EN ISO 5395-2:2013, EN ISO 5395-2:2013/A1:2016, EN ISO 5395-2:2013/A2:2017, EN ISO 14982:2009

Ak nie je uvedené inak, vyššie uvedené normy sú najnovšie vydané verzie.

Notifikovaný orgán: **0036, TÜV SÜD Industrie Service GmbH, Westendstrasse 199, 80686 München, Germany** vykonal posudzovanie zhody v súlade s prílohou VI smernice 2000/14/ES.

Huskvarna, 2020-10-20



Claes Losdal, manažér vývoja/záhradné produkty (autorizovaný zástupca spoločnosti Husqvarna AB a osoba zodpovedná za technickú dokumentáciu)

VSEBINA

| | | | |
|------------------|-----|--|-----|
| Uvod..... | 306 | Odpravljanje težav z motorjem..... | 314 |
| Varnost..... | 307 | Transport skladiščenje in odstranitev..... | 315 |
| Montaža..... | 309 | Tehnični podatki..... | 315 |
| Delovanje..... | 310 | Izjava ES o skladnosti..... | 317 |
| Vzdrževanje..... | 311 | | |

Uvod

Opis izdelka

Naprava je rotacijska kosilnica. Pokošena trava se zbira v zbiralniku za travo. Če želite uporabiti zadenjski izmet trave, odstranite zbiralnik za travo.

Pregled izdelka

(Sl. 1)

1. Ročica/ročaj
2. Pogonska ročica (LC 140SP)
3. Ročica zaganjalne vrvice
4. Zbiralnik za travo
5. Posoda za gorivo
6. Zračni filter
7. Svečka
8. Pokrov rezila
9. Dušilnik
10. Pokrovček posode za olje
11. Ročica za nastavitev višine košnje
12. Zadnji pokrov
13. Ročica zavore motorja
14. Simboli
15. Sklop spodnje ročice
16. Spodnji ročaj
17. Navodila za uporabo
18. Lijak za olje

Znaki na izdelku

- (Sl. 2) **OPOZORILO!** Bodite previdni in uporabljajte izdelek pravilno. Ta izdelek lahko povzroči hude poškodbe oziroma smrt upravljavca ali drugih.
- (Sl. 3) Pred uporabo izdelka natančno preberite navodila za uporabo in se prepričajte, da ste jih razumeli.
- (Sl. 4) Pazite na leteče in odbite predmete.
- (Sl. 5) Poskrbite, da so osebe in živali na varni razdalji od delovnega območja.
- (Sl. 6) Opozorilo: Roke in noge držite stran od vrtljivega rezila.

Namen uporabe

Izdelek uporabite za rezanje trave. Izdelka ne uporabljajte za druga opravila.

(Sl. 7) Opozorilo: Z rokami in nogami ne segajte v območje premikanja vrtljivih delov.

(Sl. 8) Izklopite motor in odstranite vžigalni kabel, šele nato opravite popravila ali vzdrževalna dela.

(Sl. 9) Izdelek je v skladu z veljavnimi direktivami ES.

(Sl. 10) Emisija hrupa v okolje v skladu z direktivo Evropske skupnosti. Podatek za emisijo izdelka je naveden v poglavju "Tehnični podatki" ter na nalepki.

(Sl. 11) Nevarnost požara.

(Sl. 12) Ne vdihujte izpušnih plinov. Izpušni plini vsebujejo ogljikov monoksid iz motorja, ki je brezbarven, strupen in zelo nevaren plin. Motorja ne vklopite v zaprtih prostorih.

(Sl. 13) Vročna površina.

(Sl. 14) Pred uporabo izdelka dolijte motorno olje.

Opomba: Ostali znaki in oznake na izdelku se nanašajo na zahteve za certifikacijo, ki veljajo za druga komercialna območja.

Stopnja emisij Euro V



OPOZORILO: Zaradi predelave motorja se razveljavi EU-homologacija tega izdelka.

Odgovornost proizvajalca

Kot je navedeno v zakonodaji, ki ureja odgovornost proizvajalca, ne prevzemamo nikakršne odgovornosti za poškodbe, ki bi jih naši izdelki povzročili v naslednjih primerih:

- Izdelek ni pravilno popravljen.

- Izdelek je popravljen z deli, ki jih ni izdelal ali odobril proizvajalec.
- Na izdelku je nameščena dodatna oprema, ki je ni izdelal ali odobril proizvajalec.
- Izdelek ni bil popravljen v pooblaščenem servisnem centru ali pri pooblaščenem organu.

Varnost

Varnostne definicije

Opozorila, svarila in opombe opozarjajo na posebej pomembne dele priročnika.



OPOZORILO: Se uporabi, če obstaja nevarnost telesne poškodbe ali smrti uporabnika ali opazovalcev ob neupoštevanju navodil v tem priročniku.



POZOR: Se uporabi, če obstaja nevarnost poškodbe izdelka, drugih materialov ali okolice ob neupoštevanju navodil v tem priročniku.

Opomba: Se uporabi za podajanje podrobnejših informacij, potrebnih v dani situaciji.

Splošna varnostna navodila



OPOZORILO: Pred uporabo izdelka preberite navodila v povezavi z opozorili v nadaljevanju.

- Ta izdelek je lahko nevaren, če ga ne uporabljate pravilno ali če niste previdni. Če ne upoštevate varnostnih navodil, lahko nastopijo poškodbe ali celo smrt.
- Izdelek med delovanjem ustvarja elektromagnetno polje. To polje lahko v nekaterih pogojih moti delovanje aktivnih ali pasivnih medicinskih vsadkov. Uporabnikom medicinskih vsadkov svetujemo, da se pred uporabo tega izdelka posvetujejo z zdravnikom ali proizvajalcem medicinskega vsadka, s čimer zmanjšajo nevarnost resnih ali smrtnih poškodb.
- Vedno bodite previdni in ravnajte razumno. Če niste prepričani, kako upravljati ta izdelek v določeni situaciji, prenehajte z delom in se pogovorite s prodajalcem Husqvarna.
- Ne pozabite, da je uporabnik odgovoren za nesreče, ki jih povzročijo drugim ljudem ali njihovi lastnini.
- Stroj redno čistite. Pozorno preberite znake in nalepke.
- Ne dovolite osebi, ki ni prebrala in ne razume vsebine navodil za uporabo, da upravlja ta izdelek.
- Izdelka ne smejo uporabljati otroci.
- Otroci naj ostanejo zunaj delovnega območja. Vedno mora biti prisotna odgovorna odrasla oseba.

- Izdelka ne smejo uporabljati osebe, ki ne poznajo navodil za uporabo.
- Če izdelek uporabljajo osebe z zmanjšanimi fizičnimi ali intelektualnimi sposobnostmi, jih nenehno nadzorujte. Vedno mora biti prisotna odgovorna odrasla oseba.
- Izdelka ne uporabljajte, ko ste utrujeni, bolni, ali pod vplivom alkohola, drog ali zdravil. To negativno vpliva na vaš vid, pozornost, koordinacijo in presojo.
- Izdelka ne uporabljajte, če je poškodovan.
- Izdelka ne spreminjajte ali uporabljajte, če obstaja možnost, da so ga spremenile tretje osebe.
- Ne spreminjajte nastavitve števila vrtljajev motorja.

Varnost delovnega področja



OPOZORILO: Pred uporabo izdelka preberite navodila v povezavi z opozorili v nadaljevanju.

- Z delovnega območja pred začetkom dela odstranite predmete, kot so veje, vejice in kamni.
- Predmeti, ki pridejo v kontakt z rezalno opremo, lahko odletijo in poškodujejo osebe in ostale predmete. Opazovalci in živali naj bodo na varni razdalji od izdelka.
- Izdelka nikoli ne uporabljajte v slabem vremenu, kot je megla, dež, močan veter, izreden mraz ter nevarnost strele. Če izdelek uporabljate v slabem vremenu ali v vlažnih ali mokrih okoljih, vas bo to utrudilo. Slabo vreme lahko povzroči nevarne pogoje, kot je spolzka podlaga.
- Bodite pozorni na osebe, predmete in situacije, ki lahko preprečijo varno obratovanje izdelka.
- Bodite pozorni na ovire, kot so korenine, kamni, veje, jame in jarki. Visoka trava lahko prekriva ovire.
- Košnja trave na pobočju je lahko nevarna. Izdelka ne uporabljajte na pobočjih z naklonom, večjim od 15°.
- Izdelek uporabljajte prečno na pobočje. Ne premikajte se navzgor in navzdol.
- Bodite previdni, kadar se približujete kotom in predmetom, ki omejujejo pogled.

Varnost pri delu



OPOZORILO: Pred uporabo izdelka preberite navodila v povezavi z opozorili v nadaljevanju.

- Ta izdelek uporabljajte izključno za košnjo trave. Ne uporabljajte ga za druga opravila.
- Uporabljajte osebno zaščitno opremo. Glejte *Osebna zaščitna oprema na strani 308*.
- V zasilnem primeru morate znati motor hitro izklopiti.
- Motorja nikoli ne vklopite v zaprtem prostoru ali v bližini vnetljivega materiala. Izpušni plini iz motorja so vroči in lahko vsebujejo iskre, ki lahko povzročijo požar.
- Izdelka ne uporabljajte, če rezilo in vsi pokrovi niso nameščeni pravilno. Nepravilno nameščeno rezilo lahko odleti in povzroči poškodbe.
- Pazite, da rezilo ne udarja ob predmete, npr. kamenje in korenine. To lahko poškoduje rezilo in ukrivi motorno gred. Zvita os povzroča vibracije in zelo visoko tveganje, da rezilo odleti.
- Če rezilo trči ob predmet ali začuti vibracije, izdelek nemudoma izklopite. S svečke odstranite vžigalni kabel. Preglejte, ali je izdelek morda poškodovan. Poškodbe popravite ali pa popravilo prepustite pooblaščenemu serviserju.
- Ročico zavore motorja nikoli ne pritrđite trajno na ročaj, ko je motor obratuje.
- Izdelek vklopite na stabilni in ravni podlagi. Prepričajte se, da rezilo ne trči ob tla ali druge predmete.
- Vedno bodite za izdelkom, ko ga upravljate.
- Ko upravljate izdelek, morajo biti vsa kolesa na tleh, prav tako pa imejte na ročaju obe roki. Roke in noge držite stran od vrtljivih rezil.
- Pri delujočem motorju izdelka nikoli ne nagibajte.
- Ko izdelek potegnete nazaj, bodite previdni.
- Izdelka ne dvigajte, ko motor deluje. Če morate izdelek dvigniti, motor izklopite in s svečke odstranite vžigalni kabel.
- Med uporabo izdelka ne hodite vzvratno.
- Izklopite motor, ko se premikate prek področij brez trave, npr. poti iz gramoza, kamna in asfalta.
- Pri delujočem motorju ne tecite z izdelkom. Pri uporabi tega izdelka vedno hodite.
- Preden spreminjate višino reza, ustavite motor. Ne izvajajte prilagoditev, ko motor deluje.
- Ko je motor vklopljen, imejte izdelek vedno v pogledu. Motor izklopite in se prepričajte, da se rezalna oprema ne vrti.

Varnostna navodila za uporabo

Osebna zaščitna oprema



OPOZORILO: Pred uporabo izdelka preberite navodila v povezavi z opozorili v nadaljevanju.

- Osebna zaščitna oprema ne more popolnoma preprečiti poškodb, vendar v primeru nesreče omili posledice. Prodajalec naj vam pomaga izbrati ustrezno opremo.

- Če je moč hrupa višja od 85 dB, uporabljajte zaščitno opremo za sluh.
- Uporabite trpežno obutev, ki ne drsi. Ne bodite bosí ali nosite odprtih čevljev.
- Oblečene imejte trpežne, dolge hlače.
- Po potrebi uporabite zaščitne rokavice, npr. kadar pritrđujete, pregledujete ali čistite rezalno opremo.

Varnostne naprave na izdelku



OPOZORILO: Pred uporabo izdelka preberite navodila v povezavi z opozorili v nadaljevanju.

- Ne uporabljajte izdelka s poškodovanimi varnostnimi napravami.
- Redno preverjajte varnostne naprave. Če so varnostne naprave poškodovane, se obrnite na pooblaščen servisno delavnico Husqvarna.

Preverjanje pokrova rezila

Pokrov rezila zmanjšuje moč vibracij v izdelku in zmanjšuje nevarnost poškodb, katerih vzrok bi lahko bilo rezilo.

- Preglejte pokrov rezila in se prepričajte, da nima poškodb, kot so razpoke.

Preverjanje ročice zavore motorja

Ročica zavore motorja izklopi motor. Ko je ročica zavore motorja sproščena, se motor ustavi.

- Zaženite motor in nato sprostite ročico zavore motorja. Če se motor ne izklopi v 3 sekundah, peljite izdelek k pooblaščenemu serviserju Husqvarna, da nastavi zavoro motorja. (Sl. 15)

Dušilnik

Dušilnik zmanjšuje hrup na najnižjo možno raven in pošilja izpušne pline stran od operaterja.

Ne uporabljajte izdelka, če dušilnik manjka ali je poškodovan. Poškodovan dušilnik zviša raven hrupa in poveča nevarnost požara.



OPOZORILO: Dušilnik se med in po uporabi ter med delovanjem motorja v prostem teku močno segreje. V bližini vnetljivih materialov in/ali hlapov bodite previdni, da preprečite požar.

Varnost pri delu z gorivom



OPOZORILO: Pred uporabo izdelka preberite navodila v povezavi z opozorili v nadaljevanju.

- Če so na izdelku ostanke goriva ali motornega olja, izdelka ne zaganjajte. Očistite ostanke goriva/olja in počakajte, da se izdelek posuši.

- Če se z gorivom polijete po obleki, se nemudoma preoblecite.
- Pazite, da goriva ne polijete po telesu, saj lahko pride do poškodb. Če gorivo polijete po telesu, se očistite z milom in vodo.
- Če motor pušča, izdelka ne zaganjajte. Redno preverjajte, ali motor pušča.
- Z gorivom ravnajte previdno. Gorivo je vnetljivo, hlapi pa so eksplozivni, zato lahko pride do poškodb ali smrti.
- Ne vdihavajte hlapov goriva, saj lahko pride do poškodb. Zagotovite zadosten pretok zraka.
- V bližini goriva ali motorja ne kadite.
- Vročih predmetov ne postavljajte v bližino goriva ali motorja.
- Goriva ne dolivajte, ko je motor vklopljen.
- Pred dolivanjem goriva se prepričajte, da je motor ohlajen.
- Pred dolivanjem počasi odprite pokrovček posode za gorivo in previdno sprostite pritisk.
- Goriva ne dolivajte v zaprtih prostorih. Nezagosten pretok zraka lahko povzroči poškodbe ali smrt zaradi zadušitve ali zastrupitve z ogljikovim monoksidom.
- Skrbno privijte pokrovček posode za gorivo. Če pokrovček posode za gorivo ni dobro zatesnjen, obstaja nevarnost požara.
- Preden izdelek vklopite, ga premaknite najmanj 3 m/10 čevljev stran od mesta, kjer ste napolnili posodo za gorivo.
- Rezervoar za gorivo ne napolnite do konca. Gorivo se razširi zaradi vročine. Pustite prazen prostor na vrhu rezervoarja za gorivo.

Varnostna navodila za vzdrževanje



OPOZORILO: Pred uporabo izdelka preberite navodila v povezavi z opozorili v nadaljevanju.

- Izpušni plini vsebujejo ogljikov monoksid iz motorja, ki je brezbarven, strupen in zelo nevaren plin. Motorja ne vklopite v zaprtih prostorih.
- Preden začnete z vzdrževanjem izdelka, ustavite motor in s svečke odstranite vžigalni kabel.
- Pri vzdrževanju rezalne opreme uporabite zaščitne rokavice. Rezilo je izjemno ostro, zato lahko hitro pride do ureznin.
- Dodatki in spremembe izdelka, ki niso odobrene s strani proizvajalca, lahko vodijo k resnim poškodbam ali celo v smrt. Ne spreminjajte izdelka. Vedno uporabljajte samo dodatke, ki jih je odobril proizvajalec.
- Če izdelka ne vzdržujete pravilno in redno, se poveča nevarnost poškodb osebam in izdelku.
- Vzdrževanje opravite tako, kot piše v teh navodilih za uporabo. Vsakršno drugačno vzdrževanje mora opraviti osebje pooblaščen servisne delavnice Husqvarna.
- Redno dovolite osebju pooblaščen servisne delavnice Husqvarna izvajati vzdrževalna dela.
- Zamenjajte poškodovane, obrabljene ali zlomljene dele.

Montaža

Montaža ročice

1. Potisnite vijak (A) skozi ročaj (B), plastično podložko (C) in podporni nosilec ročaja (D). (Sl. 16)
2. Do konca zategnite matico (E).
3. Potisnite vijak (F) skozi podložko (G) in podporni nosilec ročaja.
4. Do konca zategnite gumbni vijak (H).
5. Odprtine v ročaju poravnajte z odprtinami v spodnjem delu ročaja ter namestite vijaka, podložki in gumbna vijaka. Popolnoma zategnite gumbne vijake. (Sl. 17)
6. S priloženimi veznimi elementi pletenice pritrdite na ročaj. (Sl. 18)

Opomba: Ne pritrdite jih preveč na tesno, da ne bodo prenapete. Če so pletenice preveč napete, lahko pride do poškodb, ko ročaj preklomite v položaj za transport.

7. Pletenice ovijte okoli kavlija na spodnji strani ročaja. (Sl. 19)

Nastavitev višine ročice

1. Sprostite spodnja gumbna vijaka. (Sl. 20)
2. Odstranite gumbna vijaka, podložki in vijaka na levi in desni strani.
3. Ročico lahko nastavite na 2 različni višini. Vijak vstavite v eno od 2 odprtin na levi in desni strani. (Sl. 21)
4. Privijte vijake, podložke in gumbne vijake.
5. Premaknite gumbna vijaka do konca navzgor proti ročici, da zaslišite klik. Popolnoma zategnite gumbne vijake. (Sl. 22)

Nastavitev kosilnice v transportni položaj

1. Odstranite zbiralnik za travo.
2. Sprostite gumbna vijaka na zgornjem delu ročaja in ročaj preklomite navzdol. (Sl. 23)
3. Sprostite spodnja gumbna vijaka.
4. Gumbna vijaka na levi in desni strani izdelka pomaknite v spodnji del utorov. (Sl. 24)

5. Ročaj preklonite naprej. (Sl. 25)

Nastavitev kosilnice v delovni položaj

1. Ročaj dvignite, dokler se spodnji del ročaja ne zaskoči v delovnem položaju. (Sl. 26)
2. Premaknite gumbna vijaka do konca navzgor proti ročici, da zaslišite klik.
3. Popolnoma zategnite gumbne vijake. (Sl. 27)
4. Dvignite zgornji del ročaja.
5. Popolnoma zategnite gumbne vijake. (Sl. 28)

Namestitev zbiralnika za travo

1. Zgornji del zbiralnika za travo namestite na spodnji del zbiralnika za travo. (Sl. 29)
2. Okvir zbiralnika za travo pritrdite z jezički. (Sl. 30)
3. Dvignite zadnji pokrov.
4. Kaveljčke na zbiralniku za travo pritrdite na zgornji rob ohišja. (Sl. 31)
5. Vstavite spodnji del zbiralnika za travo v izpustni kanal za travo.

Delovanje

Uvod



OPOZORILO: Pred uporabo izdelka morate prebrati in razumeti poglavje o varnosti.



POZOR: Filter goriva zamenjajte enkrat letno ali po potrebi pogosteje. Nov filter za gorivo je na voljo pri pooblaščenem prodajalcu Husqvarna.

Husqvarna Connect

Husqvarna Connect je brezplačna aplikacija za vašo mobilno napravo. Aplikacija Husqvarna Connect omogoča razširitev funkcij vašega izdelka Husqvarna:

- Dodatne informacije o izdelku.
- Informacije o izdelku, delih in servisu ter pomoč.



POZOR: Pred dolivanjem goriva obvezno ugasnite motor.

Začetek uporabe: Husqvarna Connect

1. V mobilno napravo si prenesite aplikacijo Husqvarna Connect.
2. Registrirajte se v aplikaciji Husqvarna Connect.
3. Za vzpostavitev povezave in registracijo izdelka sledite navodilom v aplikaciji Husqvarna Connect.



POZOR: Ne uporabljajte tekočin za zagon pod tlakom.

Pred uporabo izdelka

1. Natančno preberite navodila za uporabo in se prepričajte, da ste jih razumeli.
2. Preglejte rezalno opremo in se prepričajte, da je pravilno pritrjena in nastavljena. Glejte *Kako pregledati rezalno opremo na strani 312*.
3. Napolnite rezervoar za gorivo. Glejte *Dolivanje goriva na strani 310*.
4. Napolnite rezervoar olja in preverite nivo olja. Glejte *Kako preveriti nivo olja na strani 312*.

1. Počasi odprite pokrovček posode za gorivo, da sprostite pritisk.
2. Napolnite počasi s posodo za gorivo. Če gorivo polijete, ga pobrišite s krpo in pustite, da se preostalo gorivo posuši. (Sl. 32)
3. Očistite področje okrog pokrovčka posode za gorivo.
4. Skrbno privijte pokrovček posode za gorivo. Če pokrovček posode za gorivo ni dobro zatesnjen, obstaja nevarnost požara.
5. Preden izdelek vklopite, ga premaknite najmanj 3 m/10 čevljev stran od mesta, kjer ste napolnili posodo za gorivo.

Dolivanje goriva

Če je na voljo, uporabite bencin z nizko stopnjo emisij/alkilatno gorivo. Če gorivo z nizkoemisijskim razredom/alkilatno gorivo ni na voljo, uporabite neosvinčeno gorivo dobre kakovosti ali osvinčeno gorivo, ki ima najmanj 91 oktanov.

Nastavitev višine košnje

1. Povlecite ročico za nastavitev višine košnje nazaj, da povečate višino rezanja.
2. Potisnite ročico za nastavitev višine košnje naprej, da znižate višino rezanja. (Sl. 33)



POZOR: Ne uporabljajte bencina, ki ima oktansko število nižje od 91 RON. Izdelek se lahko tako poškoduje.



POZOR: Ne nastavite višino rezanja prenizko. Rezila lahko trčijo ob tla, če površina travnika ni ravna.

Zagon izdelka

1. Prepričajte se, da je vžigalni kabel priklopljen na svečko.
2. Ostanite za izdelkom.

3. Ročico zavore motorja držite ob ročaju. (Sl. 34)
4. Z desno roko držite ročico zaganjalne vrvice.
5. Zaganjalno ročico počasi izvlecite, da začutite nekoliko upora.
6. Močno povlecite, da zaženete motor.



OPOZORILO: Zaganjalne vrvice ne navijajte okoli zapestja.

Za pogon koles

- Pogonsko ročico potisnite v smer ročaja. (Sl. 35)
- Sprostite pogonsko ročico, da izklopite pogon, npr. ko ste blizu ovire.
- Preden izdelek povlečete vzvratno, sprostite pogonsko ročico in izdelek potisnite naprej približno 10 cm.

Kako izklopiti izdelek

- Če želite izklopiti samo pogon, sprostite pogonsko ročico.
- Če želite izklopiti motor, sprostite ročico zavore motorja.

Kako doseči dober rezultat

- Vedno uporabljajte ostra rezila. Če uporabljate topo rezilo, bo trava pokošena neenakomerno, ob zarezah pa lahko postane tudi rumena. Ostro rezilo prav tako porabi manj energije kot topo rezilo.
- Ne odrežite več kot tretjino dolžine travnih bilk. Najprej kosite z visoko nastavitvijo višine košnje. Preglejte rezultat in nastavite višino košnje na ustrezno višino. Če je trava zelo visoka, vozite počasi in po potrebi kosite dvakrat.
- Vsakič kosite v različnih smereh, da se na travi ne bi pojavile črte.

Vzdrževanje

Uvod



OPOZORILO: Pred izvajanjem vzdrževalnih del morate prebrati in razumeti poglavje o varnosti.

Za servisiranje in popravila na izdelku posebno usposabljanje ni potrebno. Zagotavljamo, da vam bodo na voljo strokovna popravila in servisiranje. Če vaš prodajalec ni pooblaščen serviser, ga povprašajte, kje je naslednja najbližja pooblaščen servisna delavnica.

Urnik vzdrževanja



POZOR: Ko izdelek nagibate mora biti zračni filter na zgornji strani in ne sme biti bližje tlom. Nevarnost poškodb motorja.

Izračunani intervali vzdrževanja veljajo za vsakodnevno uporabo izdelka. Intervali se spremenijo, če izdelka ne uporabljate vsakodnevno.

Vzdrževalni posegi, označeni z *, veljajo za navodila v *Varnostne naprave na izdelku na strani 308*.

| Vzdrževanje | Dnevno | Mesečno | Vsako sezono |
|---|--------|---------|--------------|
| Opravite splošen pregled | X | | |
| Preverite nivo olja | X | | |
| Zamenjajte olje (prvič po 5 urah uporabe, potem po vsakih 50 urah uporabe) ¹⁶² | | | X |
| Izdelek očistite | X | | |
| Preglejte rezalno opremo | X | | |
| Preglejte pokrov rezila * | X | | |
| Preglejte ročico zavore motorja * | X | | |
| Preglejte dušilnik * | | X | |
| Preglejte svečko. Po potrebi očistite ali zamenjajte svečko. | | | X |
| Preglejte zračni filter | X | | |

¹⁶² Če izdelek uporabljate z veliko obremenitvijo ali pri visokih temperaturah okolja, zamenjajte motorno olje vsakih 25 ur.

| Vzdrževanje | Dnevno | Mesečno | Vsako sezono |
|---|--------|---------|--------------|
| Očistite zračni filter ¹⁶³ | | X | |
| Zamenjajte zračni filter | | | X |
| Preglejte sistem za gorivo | | | X |
| Očistite hladilna rebra na valju. | | X | |
| Preglejte in nastavite žico za sklopko (LC 140SP) | | | X |

Izvajanje splošnih pregledov

- Prepričajte se, da so vse matice in vijaki na izdelku ustrezno pritrjeni.

Kako čistiti zunanost izdelka

- S krtačo odstranite listje, travo in umazanijo.
- Prepričajte se, da dovod zraka na vrhu motorja ni oviran.
- Izdelka ne čistite z visokotlačnim čistilnikom.
- Če izdelek operete z vodo, pazite, da voda ne teče neposredno na motor.

Kako očistiti notranjo površino pokrova rezila

1. Izpraznite posodo za gorivo.
2. Nagnite izdelek. Prepričajte se, da je vžigalni svečka obrnjena navzgor.



POZOR: Če položite izdelek na stran tako, da je na tleh zračni filter, lahko poškodujete motor.

3. Izperite notranjo površino pokrova rezila z vodo.

Kako pregledati rezalno opremo



OPOZORILO: Odstranite vžigalni kabel s svečke, da preprečite naključni vklop motorja.



OPOZORILO: Pri vzdrževanju rezalne opreme uporabite zaščitne rokavice. Rezilo je izjemno ostro, zato lahko hitro pride do uresnin.

1. Preverite, ali je rezalna oprema poškodovana oziroma razpokana. Če je rezalna oprema poškodovana, jo zamenjajte.
2. Preverite, ali je rezilo poškodovano ali topo.

Opomba: Rezilo morate po brušenju postaviti v ravnovesje. Izdelek peljite na servisni center, da rezilo

nabrusijo, zamenjajo in uravnesijo. Če trčite ob oviro in se izdelek ustavi, zamenjajte poškodovano rezilo. Pooblaščen servisna delavnica naj oceni, ali lahko rezilo izostrijo ali pa ga je treba zamenjati.

Zamenjava rezil

1. Rezilo blokirajte z leseno klado. (Sl. 36)
 2. Odstranite vijak rezila.
 3. Odstranite rezilo.
 4. Preglejte, ali sta nosilec in vijak rezila poškodovana.
 5. Preglejte, ali je motorna gred zvita.
 6. Ko pritrdite novo rezilo, usmerite nagnjene strani rezila v smer pokrova rezila. (Sl. 37)
 7. Prepričajte se, da je rezilo poravnano s središčem motorne gredi.
 8. Rezilo blokirajte z leseno klado. Pritrdite podložko vzmeti in privijte vijak in podložko z zateznim momentom 45–60 Nm. (Sl. 38)
 9. Ročno zavrtite rezilo in se prepričajte, da se prosto obrača.
10. Izdelek vklopite, da preizkusite rezilo. Če rezilo ni pritrjeno pravilno, bo izdelek vibriral, rezultat košnje pa ne bo zadovoljiv.



OPOZORILO: Nosite trpežne rokavice. Rezilo je izjemno ostro, zato lahko hitro pride do uresnin.

Kako preveriti nivo olja



POZOR: Če je nivo olja prenizek, se lahko poškoduje motor. Preden zaženete izdelek, preverite nivo olja.

1. Izdelek naj bo na ravnih tleh.
2. Odstranite pokrov rezervoarja olja s priloženo merilno palico.
3. Z merilne palice očistite olje.
4. Merilno palico do konca vstavite v rezervoar olja, da dobite pravi nivo olja.

¹⁶³ Pogosteje čistite v prašnih razmerah ali ko so prisotni delci v zraku. Če je zračni filter zelo umazan, ga zamenjajte.

5. Odstranite merilno palico.
6. Na merilni palici preučite nivo olja.
7. Če je nivo olja nizek, dolijte motorno olje in še enkrat preverite nivo olja.

Opomba: Uporabite lijak, da preprečite razlitje.

Zamenjava motornega olja



OPOZORILO: Tik po zaustavitvi motorja je motorno olje zelo vroče. Preden iztočite motorno olje, se motor mora ohladiti. Če polijete motorno olje po koži, se umijte z milom in vodo.

(Sl. 39)

Opomba: Uporabite 4-taktno motorno olje. Uporabite ustrezno viskoznost za temperaturo okolja.

1. Izdelek uporabljajte, dokler imate v rezervoarju gorivo.
2. S svečke odstranite vžigalni kabel.
3. Odstranite pokrovček posode za olje.
4. S črpalko za olje (dodatna oprema) motorno olje iztočite iz rezervoarja za olje.
5. Dolijte novo motorno olje, priporočila najdete v *Tehnični podatki na strani 315*.
6. Preverite nivo olja. Glejte razdelek *Kako preveriti nivo olja na strani 312*.

Kako očistiti filter iz penjene plastike

1. Odstranite pokrov zračnega filtra in filter iz penjene plastike.
2. Filter iz penjene plastike sčistite z milom in vodo.
3. Filter iz penjene plastike izperite s čisto vodo.
4. Iztisnite vodo iz filtra iz penjene plastike in ga pustite, da se posuši.



POZOR: Ne uporabljajte stisnjeneга zraka, saj lahko poškoduje filter iz penjene plastike.

5. Filter iz penjene plastike namažite z motornim oljem.
6. Ob filter iz penjene plastike pritisnite čisto krpo, da vsrka odvečno olje.
7. Zračni filter vstavite nazaj. Prepričajte se, da se zračni filter tesno prilega nosilcu zračnega filtra.
8. Pokrov zračnega filtra nastavite nazaj.

Pregled svečke



POZOR: Vedno uporabljajte priporočeno vrsto svečke. Zaradi neustrezne vrste vžigalne svečke se izdelek lahko poškoduje.

- Če se moč motorja zmanjša, motorja ni mogoče enostavno zagnati ali ta ne deluje ustrezno v prostem teku, preglejte vžigalno svečko.
- Tveganje za pojav oblog na elektrodah vžigalne svečke lahko zmanjšate tako, da upoštevate ta navodila:
 - a) Hitrost prostega teka mora biti pravilno nastavljena.
 - b) Mešanica goriva mora biti ustrezna.
 - c) Zračni filter mora biti čist.
- Če je vžigalna svečka umazana, jo očistite in zagotovite, da je razmak med elektrodama ustrezen; glejte *Tehnični podatki na strani 315*. (Sl. 40)
- Vžigalno svečko po potrebi zamenjajte.

Kako pregledati sistem za gorivo

- Preverite, ali sta pokrov rezervoarja za gorivo in tesnilo pokrova rezervoarja za gorivo poškodovana.
- Preverite, ali cev za gorivo pušča. Če je cev za gorivo poškodovana, naj jo pooblaščen servisna delavnica zamenja.

Kako nastaviti pletenico sklopke (LC 140SP)

V naslednjih primerih je treba pletenico sklopke skrajšati:

- Ko potegnete pogonsko ročico ali ročico za nadzor hitrosti, se pogon koles ne aktivira.
- Ko je pogon koles aktiviran, se izdelek premika počasi.

V naslednjih primerih je treba pletenico sklopke podaljšati:

- Izdelek se premika, ko pogon koles ni aktiviran.
- Nastavite pletenico sklopke.
 - a) Če želite skrajšati pletenico sklopke, nastavitveni vijak obračajte v nasprotni smeri urinega kazalca.
 - b) Če želite pletenico sklopke podaljšati, nastavitveni vijak obračajte v smeri urinega kazalca. (Sl. 41)

Če voznja izdelka tudi po nastavitvi ni primerna, se obrnite na servisnega zastopnika.

Odpravljanje težav z motorjem

| Težava | Možen vzrok | Rešitev |
|--|---|--|
| Motorja ni mogoče zagnati. | Vžigalni kabel ni pravilno priključen. | Vžigalni kabel priklopite na svečko. |
| | Rezervoar za gorivo je prazen. | Rezervoar za gorivo napolnite z ustrezno vrsto goriva. |
| | Gorivo je staro. | Iztočite rezervoar za gorivo in uplinjalnik. Dolijte novo gorivo. |
| | V uplinjaču ali vodu za gorivo je umazanija. | Očistite uplinjač in/ali vod za gorivo. |
| | Svečka je poškodovana. | Nastavite razmak med elektrodama, očistite ali pa zamenjajte svečko. |
| | Na vžigalniki svečki je prisotno gorivo. | Očistite svečko. |
| Motorja ni mogoče zaustaviti. | Mehanizem za zaustavitev je pokvarjen. | S svečke odstranite vžigalni kabel. Popravilo izdelka naj izvede pooblaščen servisna delavnica. |
| Motor ne deluje gladko. | Vžigalni kabel ni pravilno priključen. | Vžigalni kabel priklopite na svečko. |
| | V vodu za gorivo je umazanija ali pa je izteklo gorivo. | Očistite vod za gorivo. V rezervoar za gorivo nalijte novo gorivo ustreznega tipa. |
| | V pokrovu rezervoarja za gorivo je prisotna zamašitev. | Očistite pokrovček rezervoarja za gorivo. |
| | V sistemu goriva je voda ali umazanija. | Izpraznite rezervoar za gorivo. V rezervoar za gorivo nalijte novo gorivo ustreznega tipa. |
| | Zračni filter je umazan. | Očistite zračni filter. |
| | Uplinjač je treba nastaviti. | Pustite, da servisni zastopnik nastavi uplinjač. |
| Motor se pregreva. | Nivo motornega olja je prenizek. | Dolijte motorno olje. |
| | Pretok zraka ni zadosten. | Očistite zračni filter in ohišje zračnega filtra. |
| | Uplinjač je treba nastaviti. | Pustite, da servisni zastopnik nastavi uplinjač. |
| Pri delovanju motorja z visoko hitrostjo je prisotno nepopolno zgorevanje. | Razmak elektrod v svečki je premajhen. | Prilagodite razmak med elektrodama. |
| Nepravilni zvoki motorja pri normalni obremenitvi. | Neustrezna vrsta bencina. | Iztočite rezervoar za gorivo in uplinjalnik. Dolijte novo gorivo. Glejte <i>Dolivanje goriva na strani 310</i> . Če napake ne morete odpraviti, se obrnite na lokalnega servisnega zastopnika. |

| Težava | Možen vzrok | Rešitev |
|--|--|--|
| Motor pri hitrosti prostega teka ne deluje pravilno. | Vžigalna svečka je umazana, pokvarjena ali pa je razmak elektrod preširok. | Nastavite razmak med elektrodama ali pa zamenjajte svečko. |
| | Uplinjač je treba nastaviti. | Nastavite uplinjač. |
| | Zračni filter je umazan. | Očistite zračni filter. |

Transport skladiščenje in odstranitev

Prevoz in skladiščenje

- Preden prevažate in skladiščite izdelek in gorivo, se prepričajte, da izdelek ne pušča in da ni hlapov. Iskre ali odprti plamen, npr. z električnih naprav ali kotlov, lahko zanetijo ogenj.
- Za prevoz in skladiščenje goriva vedno uporabite odobrene posode.
- Preden izdelek skladiščite za daljše obdobje, izpraznite rezervoar za gorivo. Gorivo zavržite na temu primernem zbirnem mestu.
- Izdelek varno pritrdite na prevozno sredstvo, da se izognete poškodbam in nesrečam.
- Izdelek skladiščite v zaklenjenem prostoru, tako da otroci ali osebe, ki niso primerne za rokovanje z izdelkom, do izdelka ne morajo dostopati.

- Izdelek skladiščite na suhem mestu, kjer ne zmrzuje.

Odstranitev

- Upoštevajte lokalne zahteve za recikliranje in ustrezne predpise.
- Vse kemikalije, kot so motorno olje ali gorivo, zavržite na servisnem centru ali na kakšni drugi temu primerni lokaciji.
- Ko izdelka ne uporabljate več, ga pošljite k prodajalcu Husqvarna ali pa ga zavržite na mestu za recikliranje.

Tehnični podatki

Tehnični podatki

| | LC 140P | LC 140SP |
|--|--|--|
| Motor | | |
| Znamka | Husqvarna | Husqvarna |
| Ime modela motorja | HS 123A | HS 123A |
| Tip motorja | Enojni valj, 4-taktni, prisilno hlajenje z zrakom, OHV | Enojni valj, 4-taktni, prisilno hlajenje z zrakom, OHV |
| Gibna prostornina valja v cm ³ | 123 | 123 |
| Hitrost v vrt./min | 3000 | 3000 |
| Nazivna izhodna moč motorja, kW ¹⁶⁴ | 1,95 | 1,95 |
| Vžigalni sistem | | |
| Svečka | Husqvarna HQT-7 | Husqvarna HQT-7 |

¹⁶⁴ Navedena nazivna moč motorja je povprečna neto izhodna moč (pri navedenem št. vrt/min) motorja običajne proizvodnje za model motorja, umerjen po standardu SAE J1349/ISO1585. Motorji masovne proizvodnje imajo lahko drugačno vrednost. Dejanska moč motorja, nameščenega na končnem izdelku, je odvisna od delovne hitrosti, okoljskih pogojev in drugih vrednosti.

| | LC 140P | LC 140SP |
|---|---------------------------------|---------------------------------|
| Razmak med elektrodama, mm | 0,7-0,8 | 0,7-0,8 |
| Sistem za gorivo in mazanje | | |
| Vrsta maziva za motor | Pršenje | Pršenje |
| Prostornina posode za gorivo v litrih | 0,9 | 0,9 |
| Prostornina posode za olje v litrih | 0,5 | 0,5 |
| Motorno olje ¹⁶⁵ | Husqvarna SAE 30 | Husqvarna SAE 30 |
| Teža | | |
| S praznimi rezervoarji v kg | 25,2 | 26,8 |
| Emisije hrupa¹⁶⁶ | | |
| Raven zvočne moči, izmerjena, dB(A) | 93 | 93 |
| Raven zvočne moči, zajamčena, L _{WA} v dB(A) | 95 | 95 |
| Nivoji hrupa¹⁶⁷ | | |
| Raven zvočnega tlaka pri uporabnikovem ušesu v dB (A) | 81 | 81 |
| Ravni vibracij¹⁶⁸ | | |
| Raven vibracij ročaja, m/s ² | 5,6 | 7,6 |
| Rezalna oprema | | |
| Višina reza v mm | 25-75 | 25-75 |
| Širina rezanja, mm | 400 | 400 |
| Rezalni sistem | Zbiranje/izmet na zadnji strani | Zbiranje/izmet na zadnji strani |
| Rezila – standardna | Zbirka 5873863-10 | Zbirka 5873863-10 |
| Kapaciteta zbiralnika za travo v litrih | 50 | 50 |
| Vozi | | |
| Hitrost samohodnega pogona, km/h | – | 4 |

¹⁶⁵ Če olje SAE-30 uporabljate pri temperaturah, nižjih od 5 °C, obstaja nevarnost, da motor ne bo dovolj namažan. Ob tem lahko pride do poškodb motorja. Če želite ugotoviti, katero olje je primerno za nizke temperature, si oglejte razdelek *Zamenjava motornega olja na strani 313*.

¹⁶⁶ Emisije hrupa v okolje, merjene kot moč zvoka (L_{WA}), v skladu z direktivo ES 2000/14/ES.

¹⁶⁷ Zabeleženi podatki za nivo zvočnega tlaka imajo tipično statistično razpršitev (standardni odklon) 1,2 dB(A).

¹⁶⁸ Zabeleženi podatki za raven vibracij imajo tipično statistično razpršitev (standardni odklon) v višini 0,2 m/s².

Izjava ES o skladnosti

Izjava ES o skladnosti

Husqvarna AB, SE-561 82 Huskvarna, Sweden, tel: +46-36-146500, izjavlja, da je kosilnica **Husqvarna LC 140P, LC 140SP** od modelnega leta 2020 dalje v skladu z zahtevami DIREKTIVE SVETA:

- z dne 8. junija 2011 o omejevanju uporabe nekaterih nevarnih snovi v električni in elektronski opremi, **2011/65/EU**
- z dne 17. maja 2006, ki se nanaša na stroje, **2006/42/ES**
- z dne 26. februarja 2014 o elektromagnetni združljivosti **2014/30/EU**
- z dne 8. maja 2000 o emisijah hrupa v okolje **2000/14/ES**

Informacije v zvezi z emisijo hrupa so na voljo v poglavju "Tehnični podatki".

Uporabljeni so naslednji standardi:

EN ISO 5395-1:2013, EN ISO 5395-1:2013/A1, EN ISO 5395-2:2013, EN ISO 5395-2:2013/A1:2016, EN ISO 5395-2:2013/A2:2017, EN ISO 14982:2009

Če ni drugače navedeno, zgoraj navedeni standardi veljajo kot najnovejše objavljene različice.

Priglašeni organ: **0036, TÜV SÜD Industrie Service GmbH, Westendstrasse 199, 80686 München, Germany** je opravil oceno skladnosti v skladu s prilogo VI direktive 2000/14/ES.

Huskvarna, 2020-10-20



Claes Losdal, Vodja oddelka ta razvoj vrtno opreme
(Pooblaščen zastopnik družbe Husqvarna AB in odgovorni za sestavo tehnične dokumentacije.)

Sadržaj

| | | | |
|-----------------|-----|--|-----|
| Uvod..... | 318 | Rešavanje problema sa motorom..... | 326 |
| Bezbednost..... | 319 | Transport, skladištenje i odlaganje..... | 327 |
| Sklapanje..... | 321 | Tehnički podaci..... | 327 |
| Rukovanje..... | 322 | EZ deklaracija o usaglašenosti..... | 329 |
| Održavanje..... | 323 | | |

Uvod

Opis proizvoda

Proizvod je rotaciona kosačica koju kontroliše rukovalac. Trava se sakuplja u hvatač trave. Uklonite hvatač trave kako biste omogućili pražnjenje trave na zadnjoj strani.

Pregled proizvoda

(Sl. 1)

1. Ručka/upravljač
2. Pritiskivač pogona (LC 140SP)
3. Ručica užeta startera
4. Hvatač trave
5. Rezervoar za gorivo
6. Filter za vazduh
7. Svećica
8. Poklopac košenja
9. Prigušivač
10. Poklopac rezervoara za ulje
11. Poluga visine košenja
12. Zadnji poklopac
13. Ručica kočnice motora
14. Simboli
15. Sklop donje ručke
16. Donja ručica
17. Korisničko uputstvo
18. Levak za ulje

Simboli na proizvodu

- (Sl. 2) **UPOZORENJE!** Budite pažljivi i koristite proizvod na pravilan način. Ovaj proizvod može prouzrokovati teške telesne povrede ili smrt rukovaoca i drugih osoba.
- (Sl. 3) Pre korišćenja pažljivo pročitajte korisničko uputstvo i budite sigurni da razumete njegov sadržaj.
- (Sl. 4) Pazite na odbačene predmete i odskakivanja.
- (Sl. 5) Pazite da ljudi i životinje budu na bezbednoj udaljenosti od radnog područja.

Namena

Koristite proizvod za košenje trave. Nemojte koristiti proizvod za druge zadatke.

- (Sl. 6) Upozorenje: Udaljite šake i stopala od rotirajućeg sečiva.
- (Sl. 7) Upozorenje: Udaljite šake i stopala od rotirajućih delova.
- (Sl. 8) Zaustavite motor i uklonite kabl za paljenje pre popravki i održavanja.
- (Sl. 9) Ovaj proizvod je u saglasnosti sa važećim Direktivama EZ.
- (Sl. 10) Emisije buke u životnoj sredini prema direktivi Evropske zajednice. Emisije proizvoda su navedene u poglavlju Tehnički podaci i na nalepnici.
- (Sl. 11) Rizik od požara.
- (Sl. 12) Ne udišite izduvne gasove. Izduvni gasovi iz motora sadrže ugljen-monoksid, otrovan i veoma opasan gas bez mirisa. Nemojte puštati motor u rad u zatvorenim prostorima.
- (Sl. 13) Vruća površina.
- (Sl. 14) Napunite motor uljem pre pokretanja proizvoda.

Napomena: Drugi simboli/oznake na proizvodu odnose se na zahteve za sertifikaciju za određene komercijalne oblasti.

Emisije Euro V.



UPOZORENJE: Neovlašćene prepravke motora poništavaju EU tip odobrenja za ovaj proizvod.

Odgovornost za proizvod

Kako je izloženo u zakonima o odgovornosti za proizvod, mi nismo odgovorni za oštećenja prouzrokovana našim proizvodom u sledećim slučajevima:

- proizvod je popravljen na pogrešan način

- proizvod je popravljen korišćenjem delova koji nisu napravljeni ili odobreni od strane proizvođača
- proizvod ima opremu koja ne potiče ili nije odobrena od strane proizvođača
- proizvod nije popravljen u ovlašćenom servisnom centru ili od strane ovlašćenog stručnjaka

Bezbednost

Bezbednosne definicije

Upozorenja, mere opreza i napomene se koriste da ukažu na naročito važne delove korisničkog uputstva.



UPOZORENJE: Koristi se ako, usled nepoštovanja uputstava, postoji rizik od nastanka telesnih povreda ili smrti kod rukovaoca ili prisutnih osoba.



OPREZ: Koristi se ako, usled nepoštovanja uputstava, postoji rizik od nastanka oštećenja na proizvodu, drugim materijalima ili susednim oblastima.

Napomena: Koristi se za pružanje više informacija koje su neophodne u datoj situaciji.

Opšta bezbednosna uputstva



UPOZORENJE: Pročitajte upozoravajuća uputstva koja slede pre korišćenja proizvoda.

- Proizvod je opasan ako se koristi na nepravilan način ili ako niste oprezni. Može doći do telesne povrede ili smrti ako se ne pridržavate bezbednosnih uputstava.
- Ovaj proizvod pri radu stvara elektromagnetno polje. Ovo polje u određenim uslovima može da izazove smetnje na aktivnim i pasivnim medicinskim implantatima. U cilju smanjenja rizika od uslova nastanka teških ili smrtnih telesnih povreda, preporučujemo osobama koje imaju medicinske implantate da se pre upotrebe ovog proizvoda konsultuju sa lekarom ili proizvođačem implantata.
- Uvek budite pažljivi i koristite zdrav razum. Ako niste sigurni kako da rukujete proizvodom u određenoj situaciji, prekinite rad i obratite se Husqvarna prodavcu pre nastavka rada.
- Imajte na umu da će se rukovalac smatrati odgovornim za nesrećne slučajeve koji uključuju druge osobe ili njihovu imovinu.
- Održavajte proizvod čistim. Pobrinite se da jasno možete pročitati znakove i nalepnice.
- Nemojte dozvoliti da druga osoba koristi proizvod osim ako se niste uverili da je pročitala i razumela sadržaj korisničkog uputstva.

- Nemojte dozvoliti da dete rukuje proizvodom.
- Vodite računa o tome da deca ne budu u radnom području. Odgovorna odrasla osoba mora biti prisutna sve vreme.
- Nemojte dozvoliti da osoba, bez znanja u pogledu uputstava, rukuje proizvodom.
- Uvek nadzirite osobu sa smanjenim fizičkim ili mentalnim sposobnostima koja koristi proizvod. Odgovorna odrasla osoba mora biti prisutna sve vreme.
- Nemojte da koristite proizvod kada ste umorni, bolesni ili pod uticajem alkohola, droge ili lekova. To ima negativan uticaj na vašu moć vida, opreznost, koordinaciju i rasuđivanje.
- Nemojte da koristite proizvod ako je pokvaren.
- Nemojte vršiti izmene na proizvodu i nemojte koristiti proizvod ako postoji mogućnost da su druge osobe vršile izmene na njemu.
- Nemojte da menjate podešavanje za kontrolu brzine motora.

Bezbednost u oblasti rada



UPOZORENJE: Pročitajte upozoravajuća uputstva koja slede pre korišćenja proizvoda.

- Uklonite predmete kao što su grane, grančice i kamenje iz radnog područja pre nego što počnete da koristite proizvod.
- Predmeti koji udare o opremu za košenje mogu da budu izbačeni i izazovu povredu osoba ili oštećenje predmeta. Pazite da prisutne osobe i životinje budu na bezbednoj udaljenosti od proizvoda.
- Nikada nemojte koristiti proizvod u lošim vremenskim uslovima kao što su magla, kiša, jak vetar, intenzivna hladnoća i kada postoji opasnost od pojave munja. Korišćenje proizvoda u lošim vremenskim uslovima ili na vlažnim lokacijama je zamorno. Loši vremenski uslovi mogu da izazovu opasne okolnosti, kao što su klizave površine.
- Vodite računa o osobama, predmetima i situacijama koji bi mogli da spreče bezbedan rad proizvoda.
- Pazite na prepreke, kao što su korenje, kamenje, grančice, jame i jarci. Visoka trava može da sakrije prepreke.
- Košenje trave na nagibima može biti opasno. Nemojte koristiti proizvod na terenu koji ima nagib veći od 15°.

- Rukujte proizvodom preko prednjih strana nagiba. Nemojte ga pomerati gore i dole.
- Budite pažljivi kada se približavate skrivenim uglovima i predmetima koji bi mogli da blokiraju vaš vidik.

Bezbednost na radu



UPOZORENJE: Pročitajte upozoravajuća uputstva koja slede pre korišćenja proizvoda.

- Koristite ovaj proizvod samo za košenje travnjaka. Nije dozvoljeno njegovo korišćenje za druge zadatke.
- Koristite ličnu zaštitnu opremu. Pogledajte *Lična zaštitna oprema na stranici 320*.
- Naučite kako da brzo zaustavite motor u slučaju opasnosti.
- Nemojte da pokrećete motor u zatvorenom prostoru ili blizu zapaljivih materijala. Izduvni gasovi motora su vreli i mogu da sadrže varnice, što može izazvati požar.
- Nemojte raditi sa proizvodom ako sečivo i svi poklopci nisu pravilno postavljeni. Nepravilno postavljeno sečivo se može otkaçiti i prouzrokovati telesnu povredu.
- Pobrinite se da sečivo ne udara o predmete kao što su kamenje ili korenje. To može dovesti do oštećenja noža i savijanja osovine motora. Savijena osovina proizvodi velike vibracije i postoji povećana opasnost da se sečivo olabavi.
- Ako sečivo udari o predmet ili ako se pojave vibracije, odmah zaustavite proizvod. Uklonite kabl za paljenje sa svećice. Pregledajte proizvod u pogledu oštećenja. Otklonite oštećenja ili dozvolite ovlašćenom servisnom agentu da izvrši popravku.
- Nemojte postavljati ručicu kočnice motora trajno na ručicu kada je motor pokrenut.
- Postavite proizvod na stabilnu, ravnu površinu i pokrenite ga. Vodite računa da sečivo ne dodiruje tlo ili druge predmete.
- Uvek stojte iza proizvoda kada radite sa njim.
- Vodite računa da svi točkici ostanu na tlu i držite dve ruke na ručki kada rukujete proizvodom. Udaljite šake i stopala od rotirajućih sečiva.
- Nemojte naginjati proizvod kada je motor pokrenut.
- Budite pažljivi kada povlačite proizvod unazad.
- Nikada nemojte podizati proizvod kada je motor pokrenut. Ako morate da podignete proizvod, prvo isključite motor i odvojte kabl za paljenje sa svećice.
- Nemojte hodati unazad kada radite sa proizvodom.
- Zaustavite motor kada se krećete preko područja bez trave, na primer, stazica napravljenih od šljunka, kamena i asfalta.
- Ne trčite sa proizvodom ako mu radi motor. Uvek hodajte kada radite sa proizvodom.

- Zaustavite motor pre nego što promenite visinu košenja. Nikada nemojte da vršite podešavanja dok je motor pokrenut.
- Nikada nemojte dozvoliti da proizvod ostane bez nadzora dok je motor pokrenut. Zaustavite motor i uverite se da se oprema za košenje ne okreće.

Bezbednosna uputstva za rad

Lična zaštitna oprema



UPOZORENJE: Pročitajte upozoravajuća uputstva koja slede pre korišćenja proizvoda.

- Lična zaštitna oprema ne može da u potpunosti spreči telesnu povredu, ali ona umanjuje stepen telesne povrede ako dođe do nesrećnog slučaja. Neka vam vaš prodavac pomogne u izboru odgovarajuće opreme.
- Koristite zaštitu za uši ako je nivo buke iznad 85 dB.
- Nosite čvrste neključice čizme ili cipele. Nemojte nositi obuću sa otvorenim prstima ili ići bosonogi.
- Uvek nosite duge pantalone od čvrstog materijala.
- Nosite zaštitne rukavice po potrebi, na primer, kada pričvršćujete, pregledate ili čistite opremu za košenje.

Bezbednosni uređaji na proizvodu



UPOZORENJE: Pročitajte upozoravajuća uputstva koja slede pre korišćenja proizvoda.

- Nemojte koristiti proizvod na kojem su oštećeni bezbednosni uređaji.
- Redovno proveravajte bezbednosne uređaje. Ako su bezbednosni uređaji neispravni, obratite se svom Husqvarna servisnom agentu.

Provera poklopcia mehanizma za košenje

Poklopac mehanizma za košenje smanjuje vibracije u proizvodu, kao i rizik od povrede nožem.

- Pregledajte poklopac košenja kako biste se uverili da nema oštećenja kao što su naprsline.

Provera ručice kočnice motora

Ručica kočnice motora zaustavlja motor. Kada je ručica kočnice motora otpuštena, motor se zaustavlja.

- Pokrenite motor, a zatim otpustite ručicu kočnice motora. Ako se motor ne zaustavi u roku od 3 sekunde, neka ovlašćeni Husqvarna serviser izvrši podešavanje kočnice motora. (Sl. 15)

Prigušivač

Prigušivač održava nivoje buke na minimumu i šalje izduvne gasove od rukovaoca.

Ne koristite proizvod ako prigušivač nedostaje ili je oštećen. Oštećeni prigušivač povećava nivo buke i rizik od požara.



UPOZORENJE: Prigušivač postaje veoma vruć tokom i nakon korišćenja i kada motor radi pri brzini praznog hoda. Budite pažljivi u blizini zapaljivih materijala i/ili isparenja kako biste sprečili požar.

Bezbednost oko goriva



UPOZORENJE: Pročitajte upozoravajuća uputstva koja slede pre korišćenja proizvoda.

- Nemojte pokretati proizvod ako na njemu postoje tragovi goriva ili motornog ulja. Uklonite neželjeno gorivo/ulje i sačekajte da se proizvod osuši.
- Ako prospete gorivo na odeću, odmah je presvucite.
- Nemojte dozvoliti da gorivo dospe na vaše telo, ono može izazvati telesnu povredu. Ako vam gorivo dospe na telo, uklonite ga vodom i sapunom.
- Nemojte pokretati proizvod ako postoji curenje iz motora. Redovno proveravajte da li postoji curenje iz motora.
- Budite oprezni pri rukovanju gorivom. Gorivo je zapaljivo a isparenja su eksplozivna i mogu izazvati telesne povrede ili smrt.
- Nemojte udisati isparenja goriva, to može izazvati telesnu povredu. Pobrinite se da ima dovoljno protoka vazduha.
- Nemojte pušiti u blizini goriva ili motora.
- Nemojte stavljati vruće predmete blizu goriva ili motora.
- Nemojte dolivati gorivo kada motor radi.
- Uverite se da je motor hladan pre dopunjavanja goriva.
- Pre dopunjavanja goriva, lagano otvorite poklopac rezervoara za gorivo i pažljivo otpustite pritisak.

- Nemojte dolivati gorivo u motor u zatvorenom prostoru. Nedovoljan protok vazduha može izazvati telesnu povredu ili smrt usled gušenja ili prisustva ugljen-monoksida.
- Do kraja zategnite čep rezervoara za gorivo. Ako čep rezervoara za gorivo nije zategnut, postoji opasnost od požara.
- Izmaknite proizvod bar 3 m / 10 stopa od mesta na kojem ste napunili rezervoar pre pokretanja.
- Ne puniti rezervoar za gorivo do vrha. Toplota izaziva širenje goriva. Ostavite prazan prostor na vrhu rezervoara za gorivo.

Bezbednosna uputstva za održavanje



UPOZORENJE: Pročitajte upozoravajuća uputstva koja slede pre korišćenja proizvoda.

- Izduvni gasovi iz motora sadrže ugljen-monoksid, otrovan i veoma opasan gas bez mirisa. Nemojte puštati motor u rad u zatvorenim prostorima.
- Pre održavanja proizvoda zaustavite motor i uklonite kabl za paljenje sa svećice.
- Nosite zaštitne rukavice kada vršite održavanje na opremi za košenje. Sečivo je veoma oštro i lako dolazi do posekotine.
- Oprema i izmene na proizvodu koji nisu odobreni od strane proizvođača mogu da izazovu teške telesne povrede ili smrt. Nemojte vršiti izmene na proizvodu. Koristite samo delove koje je odobrio proizvođač.
- Ako se održavanje ne vrši na ispravan način i redovno, raste rizik od telesnih povreda i oštećenja proizvoda.
- Vršite samo održavanja opisana u ovom korisničkom uputstvu. Ostalo servisiranje mora da obavlja ovlašćeni Husqvarna serviser.
- Neka ovlašćeni Husqvarna servisni agent redovno vrši servisiranja proizvoda.
- Zamenite oštećene, pohabane ili pokvarene delove.

Sklapanje

Sklapanje ručke

1. Gurnite zavrtnj (A) kroz ručku (B), plastičnu podlošku (C) i osloni nosač na ručki (D). (Sl. 16)
2. Potpuno pritegnite navrtku (E).
3. Gurnite zavrtnj (F) kroz podlošku (G) i osloni nosač na ručki.
4. Potpuno zategnite dugme (H).
5. Poravnajte otvore na upravljaču sa otvorima na donjoj ručki i postavite zavrtnje, podloške i dugmad. Potpuno zategnite dugmad. (Sl. 17)
6. Postavite kablove na ručku sa držačima kablova. (Sl. 18)

Napomena: Uverite se da zategnutost kablova nije prevelika. Prevelika zategnutost može izazvati oštećenje kabla ako se ručka savije u položaj za transport.

7. Postavite kablove oko kuke na dnu ručke. (Sl. 19)

Podešavanje visine ručke

1. Olabavite donju dugmad. (Sl. 20)
2. Uklonite dugme, podlošku i zavrtnj na levoj i desnoj strani.
3. Ručka se može postaviti u 2 različite visine. Postavite zavrtnj u jedan od 2 otvora na levoj i desnoj strani. (Sl. 21)

4. Postavite zavrtnje, podloške i dugmad.
5. Pomerite dugmad nagore u smeru ručke dok se ne zaustave i ne čujete klik zvuk. Potpuno zategnite dugmad. (Sl. 22)

Stavljanje proizvoda u položaj za transport

1. Uklonite hvatač trave.
2. Olabavite dugmad na gornjoj ručki i sklopite ručku nadole. (Sl. 23)
3. Olabavite donju dugmad.
4. Pomerite dugmad u donji kraj žlebova na levoj i desnoj strani proizvoda. (Sl. 24)
5. Sklopite ručku unapred. (Sl. 25)

Stavljanje proizvoda u položaj za rad

1. Podignite ručku dok se donja ručka ne zaključa u položaj za rad. (Sl. 26)

2. Pomerite dugmad nagore u smeru ručke dok se ne zaustave i ne čujete klik zvuk.
3. Potpuno zategnite dugmad. (Sl. 27)
4. Podignite gornji deo ručke.
5. Potpuno zategnite dugmad. (Sl. 28)

Skapanje hvatača trave

1. Postavite gornji deo hvatača trave na donji deo hvatača trave. (Sl. 29)
2. Pričvrstite okvir hvatača trave spojnica. (Sl. 30)
3. Podignite zadnji poklopac.
4. Postavite kuke na hvatač trave do gornje ivice šasije. (Sl. 31)
5. Stavite donji deo hvatača trave u kanal sa izbacivanje trave.

Rukovanje

Uvod



UPOZORENJE: Pre rada sa proizvodom, morate pročitati i razumeti poglavlje o bezbednosti.

Husqvarna Connect

Husqvarna Connect je besplatna aplikacija za mobilne uređaje. Aplikacija Husqvarna Connect pruža proširene funkcije za proizvod Husqvarna:

- Dodatne informacije o proizvodu.
- Informacije o delovima proizvoda i servisiranju i pomoći u vezi s njima.

Da biste počeli koristiti Husqvarna Connect

1. Preuzmite aplikaciju Husqvarna Connect na svoj mobilni uređaj.
2. Registrujte se u aplikaciji Husqvarna Connect.
3. Pratite uputstva u aplikaciji Husqvarna Connect da biste se spojili i registrovali proizvod.

Pre rada sa proizvodom

1. Pažljivo pročitajte korisničko uputstvo i budite sigurni da razumete njegov sadržaj.
2. Pregledajte opremu za košenje i uverite se da je pravilno postavljena i podešena. Pogledajte *Pregled opreme za košenje na stranici 324*.
3. Napunite rezervoar za gorivo. Pogledajte *Dosipanje goriva na stranici 322*.
4. Napunite rezervoar za ulje i proverite nivo ulja. Pogledajte *Provera nivoa ulja na stranici 325*.

Dosipanje goriva

Ako je dostupan, koristite benzin sa malom količinom emisija / alkatilni benzin. Ako vam benzin sa malom količinom emisija / alkatilni benzin nije dostupan, koristite bezolovni benzin ili benzin sa olovom čiji oktanski broj nije manji od 91.



OPREZ: Ne koristite benzin čiji je oktanski broj manji od 91 RON. To može da ošteti proizvod.



OPREZ: Menjajte filter za gorivo jednom godišnje ili češće ako je potrebno. Novi filter za gorivo možete da nabavite kod Husqvarna prodavca.



OPREZ: Uvek zaustavite motor pre punjenja gorivom.



OPREZ: Ne koristite tečnosti za startovanje pod pritiskom.

1. Polako otvorite čep rezervoara za gorivo da biste izjednačili pritisak.
2. Polako napunite iz kanistera za gorivo. Ako prospete gorivo, obrišite ga krpom i sačekajte da se preostalo gorivo osuši. (Sl. 32)
3. Obrišite deo oko čepa rezervoara za gorivo.
4. Do kraja zategnite čep rezervoara za gorivo. Ako čep rezervoara za gorivo nije zategnut, postoji opasnost od požara.

- Izmaknite proizvod bar 3 m / 10 stopa od mesta na kojem ste napunili rezervoar pre pokretanja.

Podešavanje visine košenja

- Pomerite polugu visine košenja unazad da biste povećali visinu košenja.
- Pomerite polugu visine košenja unapred da biste smanjili visinu košenja. (Sl. 33)



OPREZ: Nemojte postavljati visinu košenja suviše nisko. Sečiva mogu da udare o tlo ako površina travnjaka nije ujednačena.

Pokretanje proizvoda

- Proverite da li je kabl za paljenje povezan sa svećicom.
- Stanite iza proizvoda.
- Držite ručicu kočnice motora naspram upravljača. (Sl. 34)
- Držite ručicu užeta startera desnom rukom.
- Lagano izvlačite užu startera dok ne osetite otpor.
- Snažno povucite da biste pokrenuli motor.



UPOZORENJE: Nemojte namotavati užu startera oko ruke.

Korišćenje pogona na točkicama

- Gurnite pritiskivač pogona u smeru upravljača. (Sl. 35)
- Otpustite pritiskivač pogona da biste deaktivirali pogon, na primer, kada se nalazite blizu prepreke.
- Pre nego što povučete proizvod unazad, odvojte pogon i gurnite proizvod ka napred približno 10 cm.

Zaustavljanje proizvoda

- Da biste zaustavili samo pogon, oslobodite pritiskivač pogona.
- Da biste zaustavili motor, pustite ručicu kočnice motora.

Za dobre rezultate

- Uvek koristite oštro sečivo. Tupo sečivo daje neujednačeni rezultat i pokošena površina trave postaje žuta. Oštro sečivo takođe koristi manje energije nego tupo sečivo.
- Nemojte kositi više od 1/3 dužine trave. Prvo kosite sa visokom visinom košenja. Pregledajte rezultat i spustite visinu košenja na prihvatljivi nivo. Ako je trava zaista visoka, vozite polako i kosite dvaput ako bude potrebno.
- Kosite u različitim smerovima svaki put da biste izbegli pruge na travnjaku.

Održavanje

Uvod



UPOZORENJE: Pre održavanja, morate pročitati i razumeti poglavlje o bezbednosti.

Za sva servisiranja i popravke proizvoda, potrebna je specijalna obuka. Garantujemo dostupnost stručnih popravki i servisiranja. Ako vaš prodavac nije servisni agent, obratite mu se za informacije o najbližem servisnom agentu.

Šema održavanja



OPREZ: Uverite se da je filter za vazduh podignut, a ne pritisnut na tlo kad nagnete proizvod. Opasnost od oštećenja motora.

Intervali održavanja su izračunati na osnovu svakodnevnog korišćenja proizvoda. Intervali se menjaju ako se proizvod ne koristi svakodnevno.

Za održavanja obeležena znakom *, pogledajte uputstva u *Bezbednosni uređaji na proizvodu na stranici 320*.

| Održavanje | Dnevno | Mesečno | Svaka sezona |
|---|--------|---------|--------------|
| Izvršite generalni pregled | X | | |
| Proverite nivo ulja | X | | |
| Zamenite ulje (prvi put posle 5 sati rada, a zatim na svakih 50 sati rada) ¹⁶⁹ | | | X |
| Očistite proizvod | X | | |
| Pregledajte opremu za košenje | X | | |

¹⁶⁹ Ako proizvod radi pod teškim opterećenjem ili na visokoj temperaturi, zamenite motorno ulje svakih 25 časova.

| Održavanje | Dnevno | Mesečno | Svaka sezona |
|--|--------|---------|--------------|
| Pregledajte poklopac košenja * | X | | |
| Pregledajte ručicu kočnice motora * | X | | |
| Pregledajte auspuh * | | X | |
| Proverite svećicu. Očistite ili zamenite svećicu ako je potrebno | | | X |
| Pregledajte filter za vazduh | X | | |
| Očistite filter za vazduh ¹⁷⁰ | | X | |
| Zamenite filter za vazduh | | | X |
| Pregledajte sistem za gorivo | | | X |
| Očistite rebra za hlađenje cilindra | | X | |
| Pregledajte i podesite sajlu kvačila (LC 140SP) | | | X |

Vršenje opšteg pregleda

- Uverite se da su sve navrtke i zavrtnji na proizvodu ispravno pritegnuti.

Čišćenje proizvoda spolja

- Uklonite lišće, travu i prljavštinu pomoću četke.
- Uverite se da ulaz vazduha na vrhu motora nije blokiran.
- Nemojte da koristite čistač pod visokim pritiskom za čišćenje proizvoda.
- Ako koristite vodu za čišćenje proizvoda, ne polivajte motor.

Čišćenje unutrašnje površine poklopca mehanizma za košenje

- Ispraznite rezervoar za gorivo.
- Nagnite proizvod. Postarajte se da je svećica okrenuta nagore.



OPREZ: Ako se proizvod spusti tako da je filter za vazduh dole, motor može da se ošteti.

- Isperite unutrašnju stranu poklopca mehanizma za košenje vodom iz creva.

Pregled opreme za košenje



UPOZORENJE: Da biste sprečili neželjeno pokretanje, uklonite kabl za paljenje sa svećice.



UPOZORENJE: Nosite zaštitne rukavice kada vršite održavanje na opremi za košenje. Sečivo je veoma oštro i lako dolazi do posekotine.

- Pregledajte opremu za košenje u pogledu oštećenja ili naprslina. Uvek zamenite oštećenu opremu za košenje.
- Pregledajte sečivo da biste videli je li oštećeno ili tup.

Napomena: Nakon oštrenja sečiva potrebno ga je balansirati. Neka servisni centar naoštiri, zameni i balansira sečivo. Ako udarite o prepreku nakon čega se proizvod zaustavi, zamenite oštećeno sečivo. Neka servisni centar odredi da li sečivo može da se naoštiri ili mora da se zameni.

Zamena noža

- Blokirajte sečivo pomoću komada drveta. (Sl. 36)
- Uklonite vijak sečiva.
- Uklonite sečivo.
- Pregledajte nosač sečiva i vijak sečiva kako biste videli postoje li oštećenja.
- Pregledajte osovinu motora kako biste se uverili da nije savijena.
- Kada postavite novo sečivo, usmerite savijene krajeve sečiva u smeru poklopca košenja. (Sl. 37)
- Pobrinite se da je nož poravnat sa sredinom osovine motora.
- Blokirajte sečivo pomoću komada drveta. Postavite opružnu podlošku i zategnite vijak i podlošku na moment pritezanja od 45–60 Nm. (Sl. 38)

¹⁷⁰ Čistite češće u prašnjavim uslovima ili ako ima lebdećih otpadaka. Zamenite filter za vazduh ako je veoma zaprljan.

9. Povucite sečivo rukom da biste proverili da li se slobodno okreće.



UPOZORENJE: Nosite čvrste rukavice. Sečivo je veoma oštro i lako dolazi do posekotina.

10. Pokrenite proizvod kako biste testirali sečivo. Ako sečivo nije ispravno postavljeno, pojavice se vibriranje proizvoda ili rezultat košenja neće biti zadovoljavajući.

Provera nivoa ulja



OPREZ: Previše nizak nivo ulja može da ošteti motor. Proverite nivo ulja pre pokretanja proizvoda.

1. Stavite proizvod na ravno tlo.
2. Uklonite poklopac rezervoara za ulje sa šipkom za merenje.
3. Obrišite ulje na šipki za merenje.
4. Stavite šipku za merenje do kraja u rezervoar za ulje da biste tačno izmerili nivo ulja.
5. Uklonite šipku za merenje.
6. Očitajte nivo ulja na šipci.
7. Ako je nivo ulja nizak, dospite motorno ulje i ponovo proverite nivo.

Napomena: Koristite levak da biste sprečili prosipanje.

Zamena motornog ulja



UPOZORENJE: Motorno ulje je vrelo neposredno nakon zaustavljanja motora. Pustite da se motor ohladi pre odlivanja motornog ulja. Ako prospete motorno ulje na kožu, sperite ga sa tela sapunom i vodom.

(Sl. 39)

Napomena: Koristite motorno ulje za 4-taktne motore. Koristite odgovarajuću viskoznost za temperaturu sredine.

1. Pustite proizvod da radi dok se rezervoar za gorivo ne isprazni.
2. Uklonite kabl za paljenje sa svećice.
3. Uklonite poklopac rezervoara za ulje.
4. Ispustite motorno ulje iz rezervoara pomoću pumpe za ulje (dodatna oprema).
5. Sipajte novo motorno ulje tipa preporučenog u *Tehnički podaci na stranici 327*.
6. Proverite nivo ulja. Pogledajte *Provera nivoa ulja na stranici 325*.

Čišćenje filtera od plastične pene

1. Skinite poklopac filtera za vazduh i uklonite filter od plastične pene.
2. Očistite filter od plastične pene sapunom i vodom.
3. Isperite filter od plastične pene čistom vodom.
4. Iscedite vodu iz filtera od plastične pene i ostavite ga da se osuši.



OPREZ: Nemojte koristiti komprimovani vazduh. Tako možete da oštetite filter od plastične pene.

5. Podmažite filter od plastične pene motornim uljem.
6. Pritisnite filter od plastične pene čistom krpom da biste uklonili višak ulja.
7. Vratite filter za vazduh. Uverite se da filter za vazduh do kraja naleže na držač filtera za vazduh.
8. Vratite poklopac filtera za vazduh.

Pregled svećice



OPREZ: Uvek koristite preporučeni tip svećice. Neodgovarajući tip svećice može da ošteti proizvod.

- Pregledajte svećicu ako je snaga motora mala, ako se teško pokreće ili nepravilno radi u praznom hodu.
- Da biste smanjili rizik od nakupljanja neželjenog materijala na elektrodama svećice, poštujujte sledeća uputstva:
 - a) Uverite se da je broj obrtaja na praznom hodu pravilno podešen.
 - b) Uverite se da je mešavina dobro napravljena.
 - c) Uverite se da je filter za vazduh čist.
- Ako je svećica prijava, očistite je i ujedno proverite da li je razmak između elektroda tačan, pogledajte *Tehnički podaci na stranici 327*. (Sl. 40)
- Zamenite svećicu ako je potrebno.

Pregled sistema za gorivo

- Pogledajte da li su poklopac rezervoara za gorivo i njegova zaptivka oštećeni.
- Pogledajte da li crevo za gorivo curi. Ako je crevo za gorivo oštećeno, neka ga serviser zameni.

Podešavanje sajle kvačila (LC 140SP)

U sledećim slučajevima treba skratiti sajlu kvačila:

- Pogon točkova se ne aktivira kad povučete pritisivač pogona ili komandnu ručicu.
- Proizvod se kreće polako kad je aktiviran pogon točkova.

U sledećim slučajevima treba produžiti sajlu kvačila:

- Proizvod se kreće kad je pogon točkova nije aktiviran.

- Podesite sajlu kvačila.
 - a) Da biste skratili sajlu kvačila, okrenite zavrtnaj za podešavanje ulevo.
 - b) Da biste produžili sajlu kvačila, okrenite zavrtnaj za podešavanje udesno. (Sl. 41)

Ako se proizvod i posle podešavanja ne kreće kako bi trebalo, obratite se serviseru

Rešavanje problema sa motorom

| Problem | Mogući uzrok | Rešenje |
|---|---|---|
| Motor ne može da se pokrene. | Kabl za paljenje nije ispravno povezan. | Povežite kabl za paljenje na svećicu. |
| | Rezervoar za gorivo je prazan. | Napunite rezervoar za gorivo odgovarajućim tipom goriva. |
| | Gorivo je staro. | Ispraznite rezervoar za gorivo i karburator. Sipajte nov benzin. |
| | Prljavština u karburatoru ili vodu goriva. | Očistite karburator i/ili vod goriva. |
| | Svećica je neispravna. | Podesite zazor elektroda, očistite ili zamenite svećicu. |
| | Svećica je zamašćena. | Očistite svećicu. |
| Motor ne može da se zaustavi. | Mehanizam za zaustavljanje je neispravan. | Uklonite kabl za paljenje sa svećice. Neka ovlašćeni serviser popravi proizvod. |
| Motor ne radi mirno. | Kabl za paljenje nije ispravno povezan. | Povežite kabl za paljenje na svećicu. |
| | Prljavština se nakupila u vodu goriva ili je istekao rok trajanja goriva. | Očistite vod goriva. Napunite rezervoar za gorivo novim gorivom odgovarajućeg tipa. |
| | Postoji zapušenje u poklopcu rezervoara za gorivo. | Očistite poklopac rezervoara za gorivo. |
| | Voda ili prljavština se nalaze u sistemu za gorivo. | Ispraznite rezervoar za gorivo. Napunite rezervoar za gorivo novim gorivom odgovarajućeg tipa. |
| | Filter za vazduh je zaprljan. | Očistite filter za vazduh. |
| | Potrebno je podesiti karburator. | Neka serviser podesi karburator. |
| Motor se prekomerno zagreva. | Nivo motornog ulja je prenizak. | Napunite motornim uljem. |
| | Protok vazduha nije dovoljan. | Očistite filter za vazduh i kućište filtera za vazduh. |
| | Potrebno je podesiti karburator. | Neka serviser podesi karburator. |
| Pojavljuje se zastoj u motoru kada radi pri velikoj brzini. | Zazor elektroda u svećici je premali. | Podesite zazor elektroda. |
| Neobična buka motora tokom normalnog opterećenja. | Pogrešan tip benzina. | Ispraznite rezervoar za gorivo i karburator. Sipajte nov benzin. Pogledajte <i>Dosiapanje goriva na stranici 322</i> Ako se problem zadrži, obratite se lokalnom serviseru. |

| Problem | Mogući uzrok | Rešenje |
|--|---|--|
| Motor ne radi mirno u brzini praznog hoda. | Svećica je zaprljana, oštećena ili je zazor elektroda prevelik. | Podesite zazor elektroda ili zamenite svećicu. |
| | Potrebno je podesiti karburator. | Podesite karburator. |
| | Filter za vazduh je zaprljan. | Očistite filter za vazduh. |

Transport, skladištenje i odlaganje

Transport i skladištenje

- Uverite se da pri skladištenju i transportu proizvoda i goriva nema isparavanja i curenja iz proizvoda. Varnice i otvoren plamen, na primer iz električnih uređaja i bojlera, može da zapali požar.
- Uvek koristite odobrene kanistere za čuvanje i transport goriva.
- Ispraznite rezervoar za gorivo pre dužeg skladištenja proizvoda. Gorivo odbacujte na odgovarajućoj lokaciji za odbacivanje
- Da biste sprečili nezgode i oštećenja, dobro fiksirajte proizvod prilikom transporta.

- Čuvajte proizvod u zaključanoj prostoriji da biste sprečili neodobren pristup deci i drugim osobama.
- Čuvajte proizvod na suvom mestu bez mraza.

Odlaganje

- Pratite lokalne zakone i propise o reciklaži.
- Sve hemikalije, kao što su motorno ulje i gorivo, odbacujte u servisnom centru ili na odgovarajućem mestu za odbacivanje.
- Kad rashodujete proizvod, pošaljite ga Husqvarna prodavcu ili ga odnesite na odgovarajuće mesto za reciklažu.

Tehnički podaci

Tehnički podaci

| | LC 140P | LC 140SP |
|---|--|--|
| Motor | | |
| Marka | Husqvarna | Husqvarna |
| Naziv modela motora | HS 123A | HS 123A |
| Tip motora | Jedan cilindar, 4-taktni, aktivno vazdušno hlađenje, OHV | Jedan cilindar, 4-taktni, aktivno vazdušno hlađenje, OHV |
| Zapremina cilindra, cm ³ | 123 | 123 |
| Brzina, o/min | 3000 | 3000 |
| Nominalna izlazna snaga motora, kW ¹⁷¹ | 1,95 | 1,95 |
| Sistem paljenja | | |
| Svećica | Husqvarna HQT-7 | Husqvarna HQT-7 |
| Zazor elektroda, mm | 0,7–0,8 | 0,7–0,8 |

¹⁷¹ Naznačena snaga motora je prosečna neto izlazna snaga (pri navedenim obrtajima u minutu) tipičnog proizvodnog motora za model motora izmerena prema SAE standardu J1349/ISO1585. Vrednost motora iz masovne proizvodnje može da se razlikuje. Stvarna izlazna snaga postavljenog motora na proizvodu će zavistiti od radne brzine, uslova u okruženju i drugih vrednosti.

| | LC 140P | LC 140SP |
|--|---|---|
| Sistem za gorivo i podmazivanje | | |
| Tip podmazivanja motora | Prskanje | Prskanje |
| Kapacitet rezervoara za gorivo, litri | 0,9 | 0,9 |
| Kapacitet rezervoara za ulje, litri | 0,5 | 0,5 |
| Motorno ulje ¹⁷² | Husqvarna SAE 30 | Husqvarna SAE 30 |
| Težina | | |
| Sa praznim rezervoarima, kg | 25,2 | 26,8 |
| Emisija buke¹⁷³ | | |
| Nivo zvučne snage, mereno, dB (A) | 93 | 93 |
| Nivo zvučne snage, garantovano L _{WA} dB(A) | 95 | 95 |
| Nivoi zvuka¹⁷⁴ | | |
| Nivo zvučnog pritiska na uho rukovaoca, dB(A) | 81 | 81 |
| Nivoi vibracije¹⁷⁵ | | |
| Nivo vibracija na ručici, m/s ² | 5,6 | 7,6 |
| Oprema za košenje | | |
| Visina košenja, mm | 25–75 | 25–75 |
| Širina košenja, mm | 400 | 400 |
| Sistem košenja | Sakupljač / pražnjenje sa zadnje strane | Sakupljač / pražnjenje sa zadnje strane |
| Sečiva – standardna | Sakupljač 5873863-10 | Sakupljač 5873863-10 |
| Kapacitet hvatača trave, litara | 50 | 50 |
| Pogon | | |
| Brzina samostalnog hoda, km/h | – | 4 |

¹⁷² Ako se ulje SAE-30 koristi na temperaturama nižim od +5 °C, postoji opasnost da se motor ne podmazuje dovoljno. Tako može da dođe do oštećenja motora. Pogledajte *Zamena motornog ulja na stranici 325* za odgovarajući tip ulja za niske temperature.

¹⁷³ Emisije buke u životnoj sredini merene kao zvučna snaga (L_{WA}) u skladu sa direktivom 2000/14/EZ.

¹⁷⁴ Prijavljeni podaci za nivo zvučnog pritiska imaju tipičnu statističku disperziju (standardna devijacija) od 1,2 dB (A).

¹⁷⁵ Podaci o nivou vibracije imaju tipičnu statističku disperziju (standardnu devijaciju) od 0,2 m/s².

EZ deklaracija o usaglašenosti

EZ deklaracija o usaglašenosti

Husqvarna AB, SE-561 82 Huskvarna, Švedska, tel:
+46-36-146500, izjavljuje da je **kosačica Husqvarna**
LC 140P, LC 140SP od godine 2020 i nadalje,
usaglašena sa zahtevima DIREKTIVE VEĆA:

- od 8. juna 2011, o „ograničenju upotrebe određenih opasnih supstanci“ **2011/65/EU**
- od 17. maja 2006., „u vezi sa mašinerijom“ **2006/42/EZ**
- od 26. februara 2014, „koja se odnosi na elektromagnetnu kompatibilnost“ **2014/30/EU**
- od 8. maja 2000, „koja se odnosi na emisije buke u okruženju“ **2000/14/EZ**

Za informacije o emisiji buke, pogledajte odeljak Tehnički podaci.

Primenjeni su sledeći standardi:

EN ISO 5395-1:2013, EN ISO 5395-1:2013/A1, EN ISO 5395-2:2013, EN ISO 5395-2:2013/A1:2016, EN ISO 5395-2:2013/A2:2017, EN ISO 14982:2009

Ako nije drugačije naznačeno, navedeni standardi predstavljaju najnovije objavljene verzije.

Ovlašćeno telo: **0036, TÜV SÜD Industrie Service GmbH, Westendstrasse 199, 80686 München, Germany** izvršilo je procenu usaglašenosti u skladu sa Aneksom VI Direktive 2000/14/EZ.

Huskvarna, 2020-10-20



Claes Losdal, menadžer razvoja/baštenski proizvodi
(ovlašćeni predstavnik kompanije Husqvarna AB i
odgovorna osoba za tehničku dokumentaciju)

Innehåll

| | | | |
|-------------------|-----|---|-----|
| Introduktion..... | 330 | Felsökning av motorn..... | 338 |
| Säkerhet..... | 331 | Transport, förvaring och kassering..... | 339 |
| Montering..... | 333 | Tekniska data..... | 339 |
| Drift..... | 334 | EG-försäkran om överensstämmelse..... | 341 |
| Underhåll..... | 335 | | |

Introduktion

Produktbeskrivning

Produkten är en rotorgräsklippare som styrs av en gående person. Gräset samlas i en gräsupsamlare. Du kan ta bort gräsupsamlaren om du vill att gräset ska komma ut mitt bak.

Produktöversikt

(Fig. 1)

1. Handtag/styre
2. Drivbygel (LC 140SP)
3. Startsnörets handtag
4. Gräsupsamlare
5. Bränsletank
6. Luftfilter
7. Tändstift
8. Klippkäpa
9. Ljuddämpare
10. Oljetankslock
11. Klipphöjdsspak
12. Bakre käpa
13. Motorbromsbygel
14. Symboler
15. Montering för undre handtag
16. Undre handtag
17. Bruksanvisning
18. Oljetratt

Symboler på produkten

- (Fig. 2) **WARNING!** Var försiktig och använd produkten på rätt sätt. Den här produkten kan orsaka allvarlig eller livshotande skada för användaren och andra.
- (Fig. 3) Läs igenom bruksanvisningen noggrant och se till att du förstår instruktionerna innan användning.
- (Fig. 4) Akta dig för utslungade föremål och rikoschetter.
- (Fig. 5) Håll alltid människor och djur på säkert avstånd från arbetsområdet.

Avsedd användning

Använd produkten för att klippa gräs. Använd inte produkten till andra uppgifter.

- (Fig. 6) **Varning!** Håll händer och fötter borta från den roterande kniven.
- (Fig. 7) **Varning!** Håll händer och fötter borta från roterande delar.
- (Fig. 8) Stäng av motorn och ta av tändkabeln före reparation eller underhåll.
- (Fig. 9) Produkten överensstämmer med gällande EG-direktiv.
- (Fig. 10) Bulleremissioner till omgivningen enligt Europeiska Gemenskapens direktiv. Produktens emission anges i avsnittet Tekniska data och på etiketten.
- (Fig. 11) Brandfara.
- (Fig. 12) Undvik att andas in avgaser. Motorns avgaser innehåller kolmonoxid, en luktlös, giftig och mycket farlig gas. Starta inte motorn inomhus eller i slutna utrymmen.
- (Fig. 13) Het yta.
- (Fig. 14) Fyll motorn med olja innan du startar produkten.

Notera: Övriga symboler/dekaler på produkten avser specifika krav för certifieringar på vissa kommersiella marknader.

Euro V-utsläpp



WARNING: Manipulering av motorn upphäver EG-typgodkännandet för den här produkten.

Produktansvar

Enligt lagstiftningen för produktansvar ansvarar vi inte för skador som vår produkt orsakar om:

- produkten repareras felaktigt
- produkten repareras med delar som inte kommer från tillverkaren eller inte har godkänts av tillverkaren

- produkten har ett tillbehör som inte kommer från tillverkaren eller inte har godkänts av tillverkaren
- produkten inte repareras vid ett godkänt servicecenter eller av en godkänd person.

Säkerhet

Säkerhetsdefinitioner

Varningar, försiktighetsåtgärder och anmärkningar används för att betona speciellt viktiga delar i bruksanvisningen.



WARNING: Används om det finns risk för skador eller dödsfall för användaren eller kringstående om anvisningarna i bruksanvisningen inte följs.



OBSERVERA: Används om det finns risk för skada på produkten, annat material eller det angränsande området om anvisningarna i bruksanvisningen inte följs.

Notera: Används för att ge mer information som är nödvändig i en viss situation.

Allmänna säkerhetsanvisningar



WARNING: Läs varningsinstruktionerna nedan innan du använder produkten.

- Denna produkt är farlig om den används på fel sätt, och om du inte är försiktig. Skada eller dödsfall kan inträffa om du inte följer säkerhetsinstruktionerna.
- Denna produkt alstrar ett elektromagnetiskt fält under drift. Detta fält kan under vissa omständigheter ge påverkan på aktiva eller passiva medicinska implantat. För att reducera risken för omständigheter som kan leda till allvarliga eller livshotande skador rekommenderar vi därför personer med implantat att rådgöra med läkare samt tillverkaren av det medicinska implantatet innan denna produkt används.
- Var alltid försiktig och använd sunt förnuft. Om du inte vet hur du ska använda produkten i en särskild situation ska du stanna den och tala med en Husqvarna-återförsäljare innan du fortsätter.
- Tänk på att användaren kommer att hållas ansvarig för olyckor som involverar andra människor eller deras egendom.
- Håll produkten ren. Se till att du kan läsa skyltar och dekaler tydligt.

- Låt inte någon använda produkten om du inte är säker på att personen har läst och förstår innehållet i bruksanvisningen.
- Låt inte barn använda produkten.
- Håll barn borta från klippområdet. En vuxen person måste vara närvarande hela tiden.
- Låt inte en person utan kännedom om instruktionerna använda produkten.
- Övervaka alltid en person med nedsatt fysisk eller mental kapacitet som använder produkten. En vuxen person måste vara närvarande hela tiden.
- Använd aldrig produkten om du är trött, sjuk eller om du är påverkad av alkohol, droger eller läkemedel. Detta har en negativ inverkan på din syn, ditt omdöme och din kroppskontroll.
- Använd inte produkten om den är trasig.
- Modifiera aldrig den här produkten och använd den inte om det är möjligt att den har blivit modifierad av andra.
- Ändra inte inställningen för motorns varvtalesreglering.

Säkerhet i arbetsområdet



WARNING: Läs varningsinstruktionerna nedan innan du använder produkten.

- Ta bort föremål som grenar, kvistar och stenar från arbetsområdet innan du använder produkten.
- Objekt som slår mot skärutrustningen kan slungas ut och orsaka skador på personer och föremål. Håll alltid människor och djur på säkert avstånd från produkten.
- Använd aldrig produkten i dåligt väder, som dimma, regn, hård vind, extrem kyla och risk för blixtnedslag. Det är ansträngande att använda produkten i dåligt väder eller på fuktiga eller våta platser. Dåligt väder kan leda till farliga förhållanden, t.ex. hala ytor.
- Håll utkik efter personer, föremål och situationer som kan förhindra säker användning av produkten.
- Håll utkik efter hinder, som rötter, stenar, grenar, gropar och diken. Långt gräs kan dölja hinder.
- Det kan vara farligt att klippa gräs i sluttningar. Använd inte produkten i terräng som lutar mer än 15°.
- Klipp tvärs över sluttningar. Inte upp och ned.

- Var uppmärksam när du närmar dig dolda hörn och föremål som skymmer sikten.

Arbets säkerhet



WARNING: Läs varningsinstruktionerna nedan innan du använder produkten.

- Använd enbart den här produkten för att klippa gräsmattor. Det är inte tillåtet att använda den för andra uppgifter.
- Använd personlig skyddsutrustning. Se *Personlig skyddsutrustning på sida 332*.
- Se till att du vet hur man snabbt stoppar motorn i en nödsituation.
- Starta aldrig motorn i ett stängt utrymme eller nära brandfarliga material. Motoravgaserna är heta och kan medföra gnistor som kan orsaka brand.
- Använd inte produkten utan att kniven och alla kåpor är korrekt monterade. En felaktigt monterad kniv kan lossna och orsaka personskador.
- Se till att kniven inte slår emot föremål som stenar och rötter. Detta kan göra att kniven skadas och böja motoraxeln. En böjd axel orsakar kraftiga vibrationer och risken för att kniven lossnar blir mycket hög.
- Om kniven träffar ett föremål eller om det uppstår vibrationer ska du omedelbart stanna produkten. Koppla bort tändkabeln från tändstiftet. Kontrollera om det finns några skador på produkten. Reparera skadorna eller låt en behörig serviceverkstad utföra reparationen.
- Fäst aldrig motorbromsbygeln permanent på handtaget när motorn är igång.
- Ställ produkten på ett stabilt plant underlag och starta den. Se till att kniven inte vidrör marken eller andra föremål.
- Håll dig alltid bakom produkten när du använder den.
- Låt alla hjul stå på marken och håll båda händerna på handtaget när du använder produkten. Håll händer och fötter borta från de roterande knivarna.
- Luta inte produkten när motorn är igång.
- Var försiktig när du drar produkten bakåt.
- Lyft aldrig upp produkten när motorn är igång. Om du måste lyfta produkten ska du först stanna motorn och koppla bort tändkabeln från tändstiftet.
- Gå inte baklänges när du använder produkten.
- Stäng av motorn när du rör dig över områden utan gräs, t.ex. gångar av grus, sten och asfalt.
- Spring inte med produkten när motorn är igång. Gå alltid när du använder produkten.
- Stäng av motorn innan du ändrar kliphöjden. Gör aldrig justeringar med motorn igång.
- Lämna aldrig produkten utanför ditt synfält med motorn igång. Stäng av motorn och se till att skärutrustningen inte roterar.

Säkerhetsinstruktioner för drift

Personlig skyddsutrustning



WARNING: Läs varningsinstruktionerna nedan innan du använder produkten.

- Personlig skyddsutrustning kan inte eliminera skaderisken helt, men den reducerar effekten av en skada vid ett eventuellt olyckstillbud. Be din återförsäljare om hjälp med att välja rätt utrustning.
- Använd hörselskydd om ljudnivån är högre än 85 dB.
- Använd kraftiga halksäkra kängor eller skor. Använd inte öppna skor och var inte barfota.
- Använd tjockare långbyxor.
- Använd skyddshandskar vid behov, till exempel när du ansluter, undersöker eller rengör skärutrustningen.

Säkerhetsanordningar på produkten



WARNING: Läs varningsinstruktionerna nedan innan du använder produkten.

- Använd inte en produkt med defekta säkerhetsanordningar.
- Kontrollera säkerhetsanordningarna regelbundet. Om säkerhetsanordningarna är defekta ska du prata med din Husqvarna serviceverkstad.

Kontrollera klippkåpan

Klippkåpan dämpar vibrationerna och minskar risken för skador orsakade av kniven.

- Undersök klippkåpan för att se till att där inte finns några skador, t.ex. sprickor.

Kontrollera motorbromsbygeln

Motorbromsbygeln stänger av motorn. När motorbromsbygeln släpps stannar motorn.

- Starta motorn och släpp sedan motorbromsbygeln. Om motorn inte stannar inom tre sekunder ska du låta en godkänd Husqvarna-serviceverkstad justera motorbromsen. (Fig. 15)

Ljuddämpare

Ljuddämparen håller ljudnivån till ett minimum och leder bort motorns avgaser från föraren.

Använd inte produkten utan eller med defekt ljuddämpare. En defekt ljuddämpare ökar ljudnivån och brandrisken.



WARNING: Ljuddämparen blir mycket varm under och efter användning samt när motorn går på tomgång. Var försiktig nära

brandfarliga material och/eller ångor för att förhindra brand.

Bränslesäkerhet



VARNING: Läs varningsinstruktionerna nedan innan du använder produkten.

- Starta inte produkten om det finns bränsle eller motorolja på produkten. Ta bort det oönskade bränslet/oljan och låt produkten torka.
- Om du spillt bränsle på kläderna skall dessa bytas omedelbart.
- Se till att inte få bränsle på kroppen, det kan orsaka personskador. Om du får bränsle på kroppen ska du använda tvål och vatten för att ta bort bränslet.
- Starta inte produkten om motorn har en läcka. Undersök regelbundet om motorn läcker.
- Var försiktig med bränsle. Bränsle är brandfarligt och ångorna är explosiva och kan orsaka skador eller dödsfall.
- Undvik att andas in bränsleångor då det kan orsaka personskador. Se till att det finns tillräckligt luftflöde.
- Rök inte i närheten av bränslet eller motorn.
- Placera inga varma föremål i närheten av bränslet eller motorn.
- Fyll inte på bränsle när motorn är på.
- Se till att motorn har svalnat innan du fyller på bränsle.
- Innan du fyller på bränsle bör du öppna bränsletanklocket långsamt och försiktigt släppa på trycket.
- Fyll inte på bränsle i motorn inomhus. Otillräckligt luftflöde kan orsaka skador eller dödsfall på grund av kvävning eller kolmonoxidförgiftning.

- Dra åt bränsletanklocket ordentligt. Om bränsletanklocket inte dras åt ordentligt finns det en risk för brand.
- Flytta produkten minst 3 m från den plats där du fyllde på tanken innan du startar den.
- Fyll inte upp tanken helt. Värme gör att bränslet expanderar. Lämna lite plats längst upp på tanken.

Säkerhetsinstruktioner för underhåll



VARNING: Läs varningsinstruktionerna nedan innan du använder produkten.

- Motorns avgaser innehåller kolmonoxid, en luktlös, giftig och mycket farlig gas. Starta inte motorn inomhus eller i slutna utrymmen.
- Innan du utför underhåll på produkten ska du stänga av motorn och ta bort tändkabeln från tändstiftet.
- Använd skyddshandskar när du utför underhåll på skärutrustningen. Kniven är mycket vass och skärskador uppstår lätt.
- Tillbehör och ändringar av produkten som inte godkänts av tillverkaren kan orsaka allvarliga skador eller dödsfall. Modifiera inte produkten. Använd endast tillbehör som godkänts av tillverkaren.
- Om underhåll inte utförs korrekt och regelbundet ökar risken för personskador och skador på produkten.
- Utför endast underhåll enligt anvisningarna i den här bruksanvisningen. All annan service måste utföras av en godkänd Husqvarna-serviceverkstad.
- Låt en godkänd Husqvarna-serviceverkstad utföra service på produkten regelbundet.
- Byt ut skadade, slitna och trasiga delar.

Montering

Montera handtaget

1. För skruven (A) genom handtaget (B), plastbrickan (C) och handtagets stödfäste (D). (Fig. 16)
2. Dra åt muttern (E) helt.
3. För skruven (F) genom brickan (G) och handtagets stödfäste.
4. Dra åt vredet (H) helt.
5. Rikta in hålen i styret med hålen i det nedre handtaget och fäst skruvarna, brickorna och vreden. Dra åt vreden helt. (Fig. 17)
6. Montera kablarna på handtaget med kabelhållarna. (Fig. 18)

Notera: Se till att kablarnas spänning inte är för hög. En alltför hög spänning kan orsaka skador på kabeln om handtaget är vikt i transportläge.

7. Placera kablarna runt kroken längst ned på handtaget. (Fig. 19)

Ställa in höjden på handtaget

1. Lossa de nedre vreden. (Fig. 20)
2. Ta bort vredet, brickan och skruven på vänster och höger sida.
3. Handtaget kan ställas in på två olika höjder. Placera skruven i ett av de två hålen på vänster och höger sida. (Fig. 21)
4. Montera skruvar, brickor och vred.
5. Skjut vreden uppåt mot handtaget tills det tar stopp och du hör ett klick. Dra åt vreden helt. (Fig. 22)

Ställa in produkten i transportläge

1. Ta bort gräsuppsamlaren.

2. Lossa vreden på det övre handtaget och vik handtaget nedåt. (Fig. 23)
3. Lossa de nedre vreden.
4. Flytta vreden till den nedre delen av spåren på produktens vänstra och högra sida. (Fig. 24)
5. Vik handtaget framåt. (Fig. 25)

Ställa in produkten i arbetsläge

1. Lyft handtaget tills det lägre handtaget är låst i driftläge. (Fig. 26)
2. Skjut vreden uppåt mot handtaget tills det tar stopp och du hör ett klick.
3. Dra åt vreden helt. (Fig. 27)

4. Lyft styrets överdel.
5. Dra åt vreden helt. (Fig. 28)

Montera gräsupsamlaren

1. Placera den övre delen av gräsupsamlaren på den nedre delen av gräsupsamlaren. (Fig. 29)
2. Fäst gräsupsamlarens ram med klämmorna. (Fig. 30)
3. Lyft den bakre kåpan.
4. Fäst krokarna på gräsupsamlaren mot den övre kanten på chassit. (Fig. 31)
5. Sätt den nedre delen av gräsupsamlaren i gräsutkastkanalen.

Drift

Introduktion



WARNING: Innan du använder produkten måste du läsa igenom och förstå kapitlet om säkerhet.

Husqvarna Connect

Husqvarna Connect är en kostnadsfri app för mobila enheter. Husqvarna Connect-appen utökar funktionerna för Husqvarna-produkten:

- Mer produktinformation.
- Information om, och hjälp med, produktdelar och service.

Börja använda Husqvarna Connect

1. Hämta Husqvarna Connect-appen på din mobila enhet.
2. Utför registreringen i Husqvarna Connect-appen.
3. Följ instruktionerna i Husqvarna Connect-appen för att ansluta och registrera produkten.

Innan du använder produkten

1. Läs igenom bruksanvisningen noggrant och se till att du förstår instruktionerna.
2. Undersök skärutrustningen för att se till att den är korrekt monterad och justerad. Se *Kontrollera skärutrustningen på sida 336*.
3. Fyll bränsletanken. Se *Fylla på bränsle på sida 334*.
4. Fyll oljetanken och kontrollera oljenivån. Se *Kontrollera oljenivån på sida 336*.

Fylla på bränsle

Använd om möjligt bensen med låg utsläppsgrad/alkylatbränsle. Om bensen med låg utsläppsgrad/alkylatbränsle inte finns tillgänglig ska du använda blyfri bensen eller blyad bensen av hög kvalitet med ett oktantal på minst 91.



OBSERVERA: Använd inte bensen med ett oktantal som är lägre än 91 RON. Det kan orsaka skador på produkten.



OBSERVERA: Byt bränslefiltert årligen eller oftare om det behövs. Ett nytt bränslefilter finns hos din Husqvarna-återförsäljare.



OBSERVERA: Stäng alltid av motorn innan du fyller på bränsle.



OBSERVERA: Använd inte trycksatta startvätskor.

1. Öppna tanklocket långsamt för att släppa på trycket.
2. Fyll på långsamt med en bränsledunk. Om du spiller bränsle ska du ta bort det med en trasa och låta bensen resterna avdunsta. (Fig. 32)
3. Torka rent runt bränsletanklocket.
4. Dra åt bränsletanklocket ordentligt. Om bränsletanklocket inte dras åt ordentligt finns det en risk för brand.
5. Flytta produkten minst 3 m från den plats där du fyllde på tanken innan du startar den.

Ställa in klipphöjden

1. Flytta klipphöjdsspaken bakåt för att höja klipphöjden.
2. Flytta klipphöjdsspaken framåt för att sänka klipphöjden. (Fig. 33)



OBSERVERA: Ställ inte in för låg klipphöjd. Knivarna kan träffa marken om gräsmattans yta inte är plan.

Starta produkten

1. Se till att tändkabeln är ansluten till tändstiftet.
2. Stå bakom produkten.
3. Håll motorbromsbygeln mot handtaget. (Fig. 34)
4. Håll i startsnörets handtag med höger hand.
5. Dra långsamt i startsnöret tills du känner ett motstånd.
6. Dra kraftigt för att starta motorn.



VARNING: Vira inte startsnöret runt handen.

Använda drivningen på hjulen

- Tryck drivbygeln mot styret. (Fig. 35)
- Släpp drivbygeln för att koppla ur drivningen, t.ex. när du går nära ett hinder.
- Innan du drar produkten bakåt, stäng av drivenheten och putta fram den ca 10 cm.

Stänga av produkten

- För att stänga av endast drivningen ska du släppa drivbygeln.
- För att stänga av motorn ska du släppa motorbromsbygeln.

Få ett bra resultat

- Använd alltid en vass kniv. En slö kniv ger ett ojämnt resultat och gräsets snittyta blir gul. En vass kniv förbrukar mindre energi än en slö kniv.
- Klipp inte mer än en tredjedel av gräsets längd. Klipp först med hög klipp höjd. Undersök resultatet och sänk klipphöjden till en lämplig nivå. Om gräset är väldigt långt kan du köra sakta och klippa två gånger vid behov.
- Klipp i olika riktningar varje gång för att undvika ränder i gräsmattan.

Underhåll

Introduktion



VARNING: Innan du utför underhåll måste du läsa och förstå kapitlet om säkerhet.

För allt service- och reparationsarbete på produkten krävs särskild utbildning. Vi garanterar att du kan få en fackmannamässig reparation och service utförd. Om din återförsäljare inte är en serviceverkstad kan du tala med dem för information om närmaste serviceverkstad.

Underhållsschema



OBSERVERA: Se till att luftfiltret är uppåt och inte mot marken när du lutar produkten. Risk för motorskador.

Underhållsintervallen beräknas utifrån daglig användning av produkten. Intervallen ändras om produkten inte används dagligen.

För underhåll som markeras med *, se anvisningarna i *Säkerhetsanordningar på produkten på sida 332*.

| Underhåll | Dagligen | Varje månad | Varje säsong |
|--|----------|-------------|--------------|
| Utför en allmän inspektion | X | | |
| Kontrollera oljenivån | X | | |
| Byt ut oljan (första gången efter fem timmars användning, sedan efter var 50:e timmes användning) ¹⁷⁶ | | | X |
| Rengör produkten | X | | |
| Kontrollera skärutrustningen | X | | |
| Kontrollera klippkåpan* | X | | |
| Kontrollera motorbromsbygeln * | X | | |
| Kontrollera ljuddämparen * | | X | |
| Undersök tändstiftet. Rengör eller byt ut tändstiftet vid behov | | | X |

¹⁷⁶ Om produkten används med hög belastning eller vid höga omgivningstemperaturer ska motoroljan bytas var 25:e timme.

| Underhåll | Dagligen | Varje månad | Varje säsong |
|--|----------|-------------|--------------|
| Kontrollera luftfiltret | X | | |
| Rengör luftfiltret ¹⁷⁷ | | X | |
| Byt luftfilter | | | X |
| Kontrollera bränslesystemet | | | X |
| Rengör kylflänsarna på cylindern. | | X | |
| Kontrollera och justera kopplingsvajern (LC 140SP) | | | X |

Allmän inspektion

- Se till att alla skruvar och muttrar på produkten är korrekt åtdragna.

Rengöra produkten utvändigt

- Använd en borste för att ta bort löv, gräs och smuts.
- Kontrollera att luftintaget på motorns ovansida inte är igentäppt.
- Undvik att använda högtryckstvätt när du rengör maskinen.
- Om du använder vatten för att rengöra produkten ska du inte spola vatten direkt på motorn.

Rengöra insidan av klippkåpan

1. Töm bensintanken.
2. Luta produkten. Se till att tändstiftet pekar uppåt.



OBSERVERA: Om produkten placeras med luftfiltret nedåt kan motorn skadas.

3. Spola av klippkåpan insida med vatten.

Kontrollera skärutrustningen



VARNING: För att förhindra oavsiktlig start ska du ta bort tändkabeln från tändstiftet.



VARNING: Använd skyddshandskar när du utför underhåll på skärutrustningen. Kniven är mycket vass och skärskador uppstår lätt.

1. Kontrollera så att skärutrustningen inte är skadad eller har sprickor. Byt alltid ut skadad skärutrustning.
2. Titta på kniven för att se om den är skadad eller slö.

Notera: Kniven måste balanseras när den har slipats. Låt en serviceverkstad slipa, byta och balansera kniven. Om du träffar ett hinder som gör att produkten stannar ska du byta ut den skadade kniven. Låt

serviceverkstaden bedöma om kniven kan slipas eller måste ersättas.

Byta knivar

1. Lås kniven med en träbit. (Fig. 36)
2. Ta bort knivbulten.
3. Tag bort kniven.
4. Kontrollera knivstödet och knivbulten för att se om det finns skador.
5. Kontrollera motoraxeln för att se till att den inte är böjd.
6. När du monterar en ny kniv ska du rikta knivens vinklade ändrar mot klippkåpan. (Fig. 37)
7. Se till att kniven är i linje med motoraxelns mitt.
8. Lås kniven med en träbit. Montera fjäderbrickan och dra åt bulten och brickan med ett vridmoment på 45–60 Nm. (Fig. 38)
9. Dra runt kniven för hand och se till att den roterar fritt.



VARNING: Använd kraftiga arbetshandskar. Kniven är mycket vass och skärskador uppstår lätt.

10. Starta produkten för att testa kniven. Om kniven inte är korrekt monterad känner du vibrationer i produkten eller så är klippresultat otillfredsställande.

Kontrollera oljenivån



OBSERVERA: För låg oljenivå kan orsaka allvarliga motorskador. Kontrollera oljenivån innan du startar produkten.

1. Ställ produkten på plan mark.
2. Ta bort oljetanklocket med mätstickan.
3. Torka av oljan från mätstickan.
4. Sätt tillbaka mätstickan helt i oljetanken för att få en korrekt bild av oljenivån.
5. Ta bort mätstickan.

¹⁷⁷ Rengör oftare vid dammiga förhållanden eller när luftburet skräp förekommer. Byt ut luftfiltret om det är mycket smutsigt.

- Kontrollera oljenivån på mätstickan.
- Om oljenivån är låg ska du fylla på med motorolja och kontrollera oljenivån igen.

Notera: Använd en tratt för att förhindra spill.

Byta motorolja



VARNING: Motorolja är mycket het direkt efter att motorn stoppats. Låt motorn svalna innan du tappar ur motoroljan. Om du spiller olja på huden ska du rengöra med tvål och vatten.

(Fig. 39)

Notera: Använd fyrtaktsmotorolja. Se till att använda rätt viskositet för omgivningstemperaturen.

- Använd produkten tills bränsletanken är tom.
- Ta bort tändkabeln från tändstiftet.
- Ta bort oljetanklocket.
- Tappa av motoroljan från oljetanken med en oljepump (tillbehör).
- Fyll på ny motorolja av den typ som rekommenderas i *Tekniska data på sida 339*.
- Kontrollera oljenivån. Se *Kontrollera oljenivån på sida 336*.

Rengöra skumplastfiltret

- Ta bort luftfilterkåpan och skumplastfiltret.
- Rengör skumplastfiltret med tvål och vatten.
- Spola av skumplastfiltret med rent vatten.
- Pressa ut vattnet från skumplastfiltret och låt det torka.



OBSERVERA: Använd inte tryckluft. Det kan orsaka skador på skumplastfiltret.

- Smörj skumplastfiltret med motorolja.
- Tryck en ren trasa mot skumplastfiltret för att få bort överflödig olja.
- Sätt tillbaka luftfiltret. Se till att luftfiltret ligger helt tätt mot luftfilterhållaren.
- Sätt tillbaka luftfilterkåpan.

Så undersöker du tändstiftet



OBSERVERA: Använd alltid rekommenderad tändstiftstyp. Fel typ av tändstift kan orsaka skador på produkten.

- Undersök tändstiftet om motorn har låg effekt, är svår att starta eller inte fungerar korrekt vid tomgångsvarvtal.
- Följ dessa instruktioner om du vill minska risken för oönskat material på tändstiftets elektroder:
 - Se till att tomgångsvarvtalet är korrekt justerat.
 - Se till att bränsleblandningen är korrekt.
 - Se till att luftfiltret är rent.
- Om tändstiftet är smutsigt rengör du det och ser till att elektrodavståndet är korrekt, se *Tekniska data på sida 339*. (Fig. 40)
- Byt ut tändstiftet vid behov.

Kontrollera bränslesystemet

- Kontrollera bränsletanklocket och tätningen till bränsletanklocket för att se till att det inte finns några skador.
- Kontrollera bränsleslangen för att se till att inget läckage förekommer. Om bränsleslangen är skadad ska du låta en serviceverkstad byta ut den.

Justera kopplingsvajern ((LC 140SP))

Du måste minska längden på kopplingsvajern under följande förhållanden:

- Hjuldrivningen kopplas inte in när du drar i drivbygeln eller hastighetsreglaget.
- Produkten rör sig långsamt när du har kopplat in hjuldrivningen.

Du måste öka längden på kopplingsvajern under följande förhållanden:

- Produkten rör sig när hjuldrivningen inte är inkopplad.
- Justera kopplingsvajern
 - Om du vill minska längden på kopplingsvajerns vrider du justerskruven moturs.
 - Om du vill öka längden på kopplingsvajern vrider du justerskruven medurs. (Fig. 41)

Om produkten inte fungerar på rätt sätt efter justeringen kontaktar du en serviceverkstad.

Felsökning av motorn

| Problem | Möjlig orsak | Lösning |
|--|--|--|
| Maskinen startar inte. | Tändkabeln är felaktigt ansluten. | Anslut tändkabeln till tändstiftet. |
| | Bränsletanken är tom. | Fyll bränsletanken med korrekt bränsle- typ. |
| | Bränslet är gammalt. | Töm bränsletanken och förgasaren. Fyll på med ny bensin. |
| | Det finns smuts i förgasare eller bränsle- ledning. | Rengör förgasaren och/eller bränslele- ningen. |
| | Tändstiftet är defekt. | Justera elektrodavståndet, rengör eller byt ut tändstiftet. |
| | Det finns bränsle på tändstiftet. | Rengör tändstiftet. |
| Motorn startar inte. | Stoppmekanismen är defekt. | Koppla bort tändkabeln från tändstiftet. Låt en godkänd serviceverkstad reparera produkten. |
| Motorn går ojämnt. | Tändkabeln är felaktigt ansluten. | Anslut tändkabeln till tändstiftet. |
| | Det finns smuts i bränsleledningen eller så är bränslet slut. | Rengör bränsleledningen. Fyll bränsle- tanken med nytt bränsle av rätt typ. |
| | Det är stopp i bränsletanklocket. | Rensa bränsletanklocket. |
| | Det finns vatten eller smuts i bränslesys- temet. | Tappa ur bränsletanken. Fyll bränsle- tanken med nytt bränsle av rätt typ. |
| | Lufffiltret är smutsigt. | Rengör lufffiltret. |
| | Förgasaren måste justeras. | Låt en serviceverkstad justera förgasa- ren. |
| Motorn blir för varm. | Motoroljenivån är för låg. | Fyll på motorolja. |
| | Luffflödet är inte tillräckligt. | Rengör lufffiltret och lufffilterkåpan. |
| | Förgasaren måste justeras. | Låt en serviceverkstad justera förgasa- ren. |
| Motorn feltänder när den ar- betar på höga varvtal. | Elektrodavståndet i tändstiftet är för litet. | Justera elektrodavståndet. |
| Ovanliga ljud från motorn vid normal belastning. | Fel typ av bensin. | Töm bränsletanken och förgasaren. Fyll på med ny bensin. Se <i>Fylla på bränsle</i> <i>på sida 334</i> . Kontakta din lokala service- verkstad om problemet kvarstår. |
| Motorn fungerar inte korrekt på tomgång. | Tändstiftet är smutsigt, defekt eller elek- trodavståndet är för stort. | Justera elektrodavståndet eller byt ut tändstiftet. |
| | Förgasaren måste justeras. | Justera förgasaren. |
| | Lufffiltret är smutsigt. | Rengör lufffiltret. |

Transport, förvaring och kassering

Transport och förvaring

- Vid förvaring och transport av produkten och bränslet ska du se till att det inte förekommer något läckage eller avgaser. Gnistor eller öppen eld, t.ex. från elektriska apparater eller pannor, kan orsaka brand.
- Använd alltid godkända behållare för transport och förvaring av bränsle.
- Töm bränsletanken innan du placerar produkten för förvaring under en längre tid. Kassera bränslet på lämplig anvisad plats
- Fäst produkten ordentligt under transport för att förhindra skador och olyckor.

- Förvara produkten i ett låst utrymme för att förhindra åtkomst för barn eller personer som inte är behöriga.
- Förvara produkten på en torr och frostfri plats.

Kassering

- Följ lokala återvinningsbestämmelser och tillämpliga förordningar.
- Kassera alla kemikalier, som olja och bränsle, vid en serviceverkstad eller på lämplig anvisad plats.
- När produkten inte längre används ska du skicka den till en Husqvarna-återförsäljare eller lämna den till en återvinningsstation.

Tekniska data

Tekniska data

| | LC 140P | LC 140SP |
|---|--|--|
| Motor | | |
| Varumärke | Husqvarna | Husqvarna |
| Motorns modellnamn | HS 123A | HS 123A |
| Motortyp | Encylindrig, fyrtakt, forcerad luftkyllning, OHV | Encylindrig, fyrtakt, forcerad luftkyllning, OHV |
| Slagvolym, cm ³ | 123 | 123 |
| Varvtal, varv/min | 3 000 | 3 000 |
| Nominell motoreffekt, kW ¹⁷⁸ | 1,95 | 1,95 |
| Tändsystem | | |
| Tändstift | Husqvarna HQT-7 | Husqvarna HQT-7 |
| Elektroдавstånd, mm | 0,7–0,8 | 0,7–0,8 |
| Bränsle- och smörjsystem | | |
| Typ av motorsmörjning | Splash | Splash |
| Volym bensintank, liter | 0,9 | 0,9 |
| Volym oljetank, liter | 0,5 | 0,5 |
| Motorolja ¹⁷⁹ | Husqvarna SAE 30 | Husqvarna SAE 30 |

¹⁷⁸ Motorns angivna märkeffekt är medelvärde för nettoeffekten (vid det specificerade varvtalet) hos en typisk produktionsmotor för den motormodell som mätts enligt SAE-standard J1349/ISO1585. Massproducerade motorer kan avvika från detta värde. Den faktiska effekten hos den motor som är installerad i slutprodukten kommer att bero på driftshastigheten, omgivningens egenskaper och andra faktorer.

¹⁷⁹ Om SAE-30-olja används vid lägre temperaturer än 5 °C är det risk att motorn inte smörjs tillräckligt. Detta kan skada motorn. Information om rätt olja vid låga temperaturer finns i *Byta motorolja på sida 337*.

| | LC 140P | LC 140SP |
|---|-----------------------|-----------------------|
| Vikt | | |
| Med tomma tankar, kg | 25,2 | 26,8 |
| Bulleremissioner¹⁸⁰ | | |
| Ljudeffektnivå, uppmätt, dB(A) | 93 | 93 |
| Ljudeffektnivå, garanterad, L _{WA} dB(A) | 95 | 95 |
| Ljudnivåer¹⁸¹ | | |
| Ljudtrycksnivå vid användarens öra, dB(A) | 81 | 81 |
| Vibrationsnivåer¹⁸² | | |
| Vibrationer i styre, m/s ² | 5,6 | 7,6 |
| Skärutrustning | | |
| Klipp höjd, mm | 25–75 | 25–75 |
| Klippbredd, mm | 400 | 400 |
| Klippsystem | Uppsamling/bakutkast | Uppsamling/bakutkast |
| Knivar – standard | Uppsamling 5873863-10 | Uppsamling 5873863-10 |
| Gräsuppsamlarens kapacitet, liter | 50 | 50 |
| Drivning | | |
| Självgående hastighet, km/h | – | 4 |

¹⁸⁰ Emission av buller till omgivningen uppmätt som ljudeffekt (L_{WA}) enligt EG-direktiv 2000/14/EG.

¹⁸¹ Redovisade data för ljudtrycksnivå har ett typiskt spridningsmått (standardavvikelse) på 1,2 dB(A).

¹⁸² Rapporterade data för vibrationsnivå har en typisk statistisk spridning (standardavvikelse) på 0,2 m/s².

EG-försäkran om överensstämmelse

EG-försäkran om överensstämmelse

Husqvarna AB, 561 82 Huskvarna, Sverige, tel:
+46-36-146500, försäkrar härmed att **gräsklipparen**
Husqvarna LC 140P, LC 140SP från år 2020 och framåt
uppfyller kraven i RÅDETS DIREKTIV:

- av den 8 juni 2011 angående "begränsning av användning av vissa farliga ämnen" **2011/65/EU**
- av den 17 maj 2006 "angående maskiner" **2006/42/EG**
- av den 26 februari 2014 "angående elektromagnetisk kompatibilitet" **2014/30/EU**
- av den 8 maj 2000 "angående emission av buller i miljön" **2000/14/EG**

Information om bulleremissioner finns i avsnittet
Tekniska data.

Följande standarder har tillämpats:

EN ISO 5395-1:2013, EN ISO 5395-1:2013/A1, EN ISO 5395-2:2013, EN ISO 5395-2:2013/A1:2016, EN ISO 5395-2:2013/A2:2017, EN ISO 14982:2009

Om inte annat anges är ovan angivna standarder de senast offentliggjorda versionerna.

Anmält organ: **0036, TÜV SÜD Industrie Service GmbH, Westendstrasse 199, 80686 München, Germany** har utfört en utvärdering av överensstämmelse i enlighet med bilaga VI i direktiv 2000/14/EG.

Huskvarna, 2020-10-20



Claes Losdal, utvecklingschef/trädgårdsprodukter
(auktorerad representant för Husqvarna AB samt ansvarig för tekniskt underlag)

İçindekiler

| | | | |
|---------------|-----|--------------------------------|-----|
| Giriş..... | 342 | Motor sorunlarını giderme..... | 350 |
| Güvenlik..... | 343 | Taşıma, depolama ve atma..... | 351 |
| Montaj..... | 345 | Teknik veriler..... | 351 |
| Çalışma..... | 346 | AT Uyumluluk Bildirimi..... | 353 |
| Bakım..... | 347 | | |

Giriş

Ürün açıklaması

Ürün, yaya kumandalı bir döner çim biçme makinesidir. Çim, çim toplama sepetinde toplanır. Çimin arkadan boşaltımı için çim toplama sepetini çıkarın.

Ürüne genel bakış

(Şek. 1)

1. Kol/gidon
2. Tahrik kolu (LC 140SP)
3. Çalıştırma ipi kolu
4. Çim toplama sepeti
5. Yakıt tankı
6. Hava filtresi
7. Buji
8. Kesme kapağı
9. Susturucu
10. Yağ tankı kapağı
11. Kesme yüksekliği kolu
12. Arka kapak
13. Motor fren kolu
14. Semboller
15. Alt tutma yeri grubu
16. Alt kol
17. Kullanım kılavuzu
18. Yağ hunisi

Ürün üzerindeki semboller

- (Şek. 2) UYARI! Dikkatli olun ve ürünü doğru kullanın. Bu ürün, operatör ya da başkaları açısından ciddi yaralanmalara veya ölüme neden olabilir.
- (Şek. 3) Lütfen kullanım kılavuzunu dikkatle okuyun ve kullanımdan önce talimatları anladığınızdan emin olun.
- (Şek. 4) Atılan nesnelere ve seken cisimlere dikkat edin.
- (Şek. 5) İnsanları ve hayvanları çalışma alanından güvenli bir uzaklıkta tutun.

Kullanım amacı

Ürünü çim biçmek için kullanın. Ürünü başka işler için kullanmayın.

- (Şek. 6) Uyarı: El ve ayaklarınızı döner bıçaktan uzak tutun.
- (Şek. 7) Uyarı: El ve ayaklarınızı döner parçalardan uzak tutun.
- (Şek. 8) Onarım veya bakım işlemlerinden önce motoru durdurun ve ateşleme kablosunu çıkarın.
- (Şek. 9) Bu ürün geçerli AT direktiflerine uygundur.
- (Şek. 10) Avrupa Topluluğu Direktifi uyarınca çevreye yayılan gürültü emisyonu. Ürünün emisyonu Teknik veriler bölümünde ve etiketin üstünde belirtilmektedir.
- (Şek. 11) Yangın tehlikesi.
- (Şek. 12) Egzoz dumanlarını solumayın. Motordan gelen egzoz dumanı kokusuz, zehirli ve son derece tehlikeli bir gaz olan karbon monoksit içerir. Motoru iç mekanlarda veya kapalı alanlarda çalıştırmayın.
- (Şek. 13) Sıcak yüzey.
- (Şek. 14) Ürünü çalıştırmadan önce motora yağ doldurun.

Not: Ürünün üzerindeki diğer semboller/etiketler, bazı ticari alanların sertifikalandırma gereklilikleri ile ilgilidir.

Avrupa V Emisyonları



UYARI: Motorun kurcalanması bu ürünün AB tip onayını geçersiz kılar.

Ürün sorumluluğu

Ürün sorumluluğu yasalarında belirtildiği üzere;

- ürünün hatalı bir şekilde onarılması,
- ürünün, üretici tarafından onaylanmayan veya üreticiden alınmayan parçalarla tamir edilmesi,

- üründe, üreticiden alınmayan veya üretici tarafından onaylanmayan bir aksesuar bulunması,
- ve ürünün, onaylı bir servis merkezinde veya yetkili bir kurum tarafından tamir edilmemesi durumunda oluşabilecek hasarlardan sorumlu değildir.

Güvenlik

Güvenlik tanımları

Kılavuzdaki önemli kısımları vurgulamak için uyarılar ve notlar kullanılmıştır.



UYARI: Kılavuzdaki talimatlara uyulmadığı takdirde operatör veya çevredeki kişiler için ciddi yaralanma veya ölüm tehlikesi varsa kullanılır.



DİKKAT: Kılavuzdaki talimatlara uyulmadığı takdirde ürünün, diğer malzemelerin veya çevrenin zarar görme riski olduğunda kullanılır.

Not: Belirli bir durumda bilgi verilmesi gerektiğinde kullanılır.

Genel güvenlik talimatları



UYARI: Ürünü kullanmadan önce aşağıdaki uyarı talimatlarını okuyun.

- Bu ürün yanlış kullanıldığında veya dikkatli olmazsanız tehlikelidir. Güvenlik talimatlarına uyulmaması yaralanmalara veya ölüme yol açabilir.
- Bu ürün, çalışırken elektromanyetik bir alan oluşturur. Bu alan, bazı koşullarda aktif veya pasif tıbbi implantlarda girişime neden edebilir. Ciddi veya ölümcül yaralanma riskini azaltmak için tıbbi implantı olan kişilerin, bu ürünü kullanmadan önce doktorlarına ve tıbbi implant üreticilerine danışmalarını öneririz.
- Her zaman dikkatli olun ve sağduyunuzu kullanın. Özel bir durumda aracı nasıl kullanacağınızdan emin değilseniz durun ve devam etmeden önce Husqvarna yetkili satıcınızla görüşün.
- Diğer insanları veya bu insanlara ait mülkleri içeren kazalardan operatörün sorumlu tutulacağını unutmayın.
- Ürünü temiz tutun. İşaretleri ve etiketleri net bir şekilde okuyabildiğinizden emin olun.
- Kullanım kılavuzunun içindekileri okuyup anladığınızdan emin olmadan kimsenin ürünü kullanmasına izin vermeyin.
- Ürünü, bir çocuğun kullanmasına izin vermeyin.

- Çocukları çalışma alanından uzakta tutun. Sorumluluk sahibi bir yetişkin her zaman orada olmalıdır.
- Talimatlar hakkında bilgi olmayan birinin ürünü kullanmasına izin vermeyin.
- Fiziksel veya zihinsel kapasitesi düşük olan bir kişi ürünü kullanırken bu kişiyi daima gözetim altında tutun. Sorumluluk sahibi bir yetişkin her zaman orada olmalıdır.
- Ürünü yorgun, hasta veya alkol ya da ilaç etkisi altındayken kullanmayın. Bu durum görüş, dikkat, koordinasyon ve doğru bir şekilde düşünmenizi olumsuz yönde etkiler.
- Arızalıysa ürünü kullanmayın.
- Başkaları tarafından değiştirilmiş olma olasılığı varsa bu ürünü değiştirmeyin veya kullanmayın.
- Motor devir kontrolü ayarını değiştirmeyin.

Çalışma alanı güvenliği



UYARI: Ürünü kullanmadan önce aşağıdaki uyarı talimatlarını okuyun.

- Ürünü kullanmadan önce çalışma alanındaki dal, çalı çırpı ve taş gibi nesnelere alın.
- Kesme donanımına çarpan nesnelere fırlatılarak kişi ve nesnelere zarar görmesine neden olabilir. Etraftaki insanları ve hayvanları üründen güvenli bir uzaklıkta tutun.
- Ürünü sis, yağmur, kuvvetli rüzgar, şiddetli soğuk ve yıldırım düşmesi riski gibi olumsuz hava koşullarında hiçbir zaman kullanmayın. Ürünü olumsuz hava koşullarında veya nemli ya da ıslak yerlerde kullanmak yorucudur. Kötü hava, kaygan yüzeyler gibi tehlikeli koşullara neden olabilir.
- Ürünün güvenli bir şekilde çalışmasını önleyebilecek kişi, nesne ve durumlara dikkat edin.
- Kök, taş, çalı çırpı, çukur, hendek gibi engellere dikkat edin. Uzun çim nesnelere saklayabilir.
- Eğimli yerlerde çim kesmek tehlikeli olabilir. Ürünü 15°den daha eğimli zeminlerde kullanmayın.
- Yokuşlarda ürünü yatay olarak kullanın. Yukarı ve aşağı hareket ettirmeyin.
- Gizli köşelere ve açık görüşü engelleyen nesnelere yanına giderken dikkatli olun.

Çalışma güvenliği



UYARI: Ürünü kullanmadan önce aşağıdaki uyarı talimatlarını okuyun.

- Bu ürünü yalnızca çimenlik alanlarda çim kesmek için kullanın. Ürünün başka işler için kullanılması yasaktır.
- Kişisel koruyucu araçlar kullanın. Bkz. *Kişisel koruyucu ekipman sayfa: 344*.
- Acil bir durumda motoru hızlı bir şekilde nasıl kapatacağınızı öğrenin.
- Ürünü hiçbir zaman kapalı yerlerde veya yanıcı maddelerin yakınında çalıştırmayın. Motordan çıkan egzoz dumanları sıcaktır ve yangın çıkmasına neden olabilecek kıvılcımlar içerebilir.
- Bıçağı ve tüm kapakları doğru bir şekilde takmadan ürünü çalıştırmayın. Yanlış bir şekilde takılan bıçak gevşeyerek yaralanmanıza neden olabilir.
- Bıçağın taş veya kök gibi nesnelere çarpmasına dikkat edin. Bu, bıçağa zarar verebilir ve motor milini bükebilir. Bükülmüş aks, ağır titreşime ve çok yüksek bir bıçak gevşemesi riskine neden olabilir.
- Bıçak bir cisme çarpar veya titreşim oluşursa ürünü hemen durdurun. Ateşleme kablosunu bujiden ayırın. Üründe hasar olup olmadığını kontrol edin. Hasarları onarım veya yetkili bir servis noktasının onarım yapmasını sağlayın.
- Motor çalıştırıldığında motor fren kolunu hiçbir zaman sürekli olarak kola takmayın.
- Ürünü sabit ve düz bir yüzeye koyup çalıştırın. Bıçağın yere veya diğer cisimlere çarpmadığından emin olun.
- Ürünü çalıştırırken her zaman arkasında durun.
- Ürünü kullanırken tüm tekerleklerin yere basmasını sağlayın ve 2 elinizi kolun üzerinde tutun. Ellerinizi ve ayaklarınızı döner bıçaklardan uzakta tutun.
- Motor çalışırken ürünü yatırmayın.
- Ürünü arkaya doğru çekerken dikkatli olun.
- Motor çalışırken ürünü hiçbir zaman yukarı kaldırmayın. Ürünü kaldırmamız gerekirse önce motoru durdurun ve ateşleme kablosunu bujiden ayırın.
- Ürünü kullanırken arkaya doğru yürümeyin.
- Çakıl, taş ve asfalt gibi malzemelerden yapılmış, çim olmayan alanlardan geçerken motoru durdurun.
- Motor çalışırken ürünle birlikte koşmayın. Ürünü kullanırken her zaman yürüyün.
- Kesme yüksekliğini değiştirmeden önce motoru durdurun. Motor çalışırken asla ayarlama yapmayın.
- Motor çalışırken ürünün hiçbir zaman görüş alanından çıkmasına izin vermeyin. Motoru durdurun ve kesme donanımının dönmediğinden emin olun.

Kullanım için güvenlik talimatları

Kişisel koruyucu ekipman



UYARI: Ürünü kullanmadan önce aşağıdaki uyarı talimatlarını okuyun.

- Kişisel koruyucu ekipmanlar yaralanma riskini tamamen engelleyemez ancak bir kaza durumunda yaralanmanın derecesini azaltır. Bayinizin doğru ekipmanı seçmenize yardımcı olmasını sağlayın.
- Gürültü düzeyi 85 dB'den fazlaysa kulaklık koruma ekipmanı kullanın.
- Ağır hizmet tipi kaymayan botlar veya ayakkabılar kullanın. Açık ayakkabılar giymeyin veya çıplak ayakla yürümeyin.
- Kalın, uzun pantolonlar giyin.
- Kesme donanımını takma, kontrol etme veya temizleme gibi gerekli durumlarda koruyucu eldivenler kullanın.

Ürünün üzerindeki güvenlik aletleri



UYARI: Ürünü kullanmadan önce aşağıdaki uyarı talimatlarını okuyun.

- Güvenlik araçları arızalı olan bir ürünü kullanmayın.
- Güvenlik araçlarını düzenli olarak kontrol edin. Güvenlik araçları arızalıysa Husqvarna servis noktanızla görüşün.

Kesme kapağını kontrol etme

Kesme kapağı, üründeki titreşimleri ve bıçakla yaralanma riskini azaltır.

- Çatlak gibi hasarlar olmadığından emin olmak için kesme kapağını inceleyin.

Motor fren kolunu kontrol etme

Motor fren kolu, motoru durdurur. Motor fren kolu bırakıldığında motor durur.

- Motoru çalıştırın ve ardından motor fren kolunu serbest bırakın. Motor 3 saniye içinde durmazsa motor frenini onaylı Husqvarna servis noktasına ayarlatın. (Şek. 15)

Susturucu

Susturucu, gürültü düzeyini minimum seviyede tutar ve egzoz dumanlarını operatörden uzağa gönderir.

Susturucu yoksa veya arızalıysa ürünü kullanmayın. Arızalı bir susturucu, gürültü düzeyini ve yangın riskini artırır.



UYARI: Susturucu kullanım sırasında, kullanım sonrasında ve motor rölantide çalışırken çok sıcak olur. Yangını önlemek

için yanıcı malzemelerin ve/veya dumanların yakınında dikkatli olun.

Yakıt güvenliği



UYARI: Ürünü kullanmadan önce aşağıdaki uyarı talimatlarını okuyun.

- Ürünün üzerinde yakıt veya motor yağı varsa ürünü çalıştırmayın. İstenmeyen yakıtı/yağı temizleyin ve ürünün kurumasını bekleyin.
- Kıyafetlerinize yakıt bulaşırsa kıyafetlerinizi hemen değiştirin.
- Vücudunuza yakıt bulaştırmayın; bu, yaralanmaya sebep olabilir. Vücudunuza yakıt bulaşırca yakıtı temizlemek için su ve sabun kullanın.
- Motorda sızıntı varsa ürünü çalıştırmayın. Motorda sızıntı olup olmadığını düzenli olarak kontrol edin.
- Yakıtla uğraşırken dikkatli olun. Yakıt yanıcı ve dumanlar patlayıcıdır; yaralanmalara veya ölüme sebep olabilir.
- Yaralanmaya sebep olabileceğinden yakıt dumanını solumayın. Yeterli hava akışı olduğundan emin olun.
- Yakıtın veya motorun yakınında sigara içmeyin.
- Yakıtın veya motorun yakınına sıcak nesnelere koymayın.
- Motor açıkken yakıt eklemeyin.
- Yakıtı yenilemeden önce motorun soğuduğundan emin olun.
- Yakıtı yenilemeden önce yakıt tankı kapağını yavaşça açın ve basıncı dikkatlice tahliye edin.
- Kapalı bir alanda motora yakıt eklemeyin. Nefessiz kalma veya karbon monoksit nedeniyle yeterli hava akışının olmaması yaralanmaya veya ölüme sebep olabilir.

- Yakıt tankı kapağını tamamen sıkın. Yakıt tankı kapağı sıkılmamışsa yangın riski vardır.
- Çalıştırmadan önce ürünü, yakıt tankını doldurduğunuz konumdan en az 3 m/10 ft uzağa taşıyın.
- Yakıt tankını tamamen doldurmayın. Isı yakıtın genişlemesine neden olur. Yakıt tankının üst kısmında boşluk bırakın.

Bakım için güvenlik talimatları



UYARI: Ürünü kullanmadan önce aşağıdaki uyarı talimatlarını okuyun.

- Motordan gelen egzoz dumanı kokusuz, zehirli ve son derece tehlikeli bir gaz olan karbon monoksit içerir. Motoru iç mekanlarda veya kapalı alanlarda çalıştırmayın.
- Ürün üzerinde bakım yapmadan önce motoru durdurup ateşleme kablosunu bujiden çıkarın.
- Kesme donanımı üzerinde bakım yaparken koruyucu eldiven kullanın. Bıçak çok keskindir ve kolaylıkla kesiklere yol açabilir.
- Üretici tarafından onaylanmamış aksesuarlar ve ürün değişiklikleri, ciddi yaralanmalara veya ölüme neden olabilir. Ürünü değiştirmeyin. Her zaman üretici tarafından onaylanmış aksesuarları kullanın.
- Bakım işlemi doğru ve düzenli şekilde yapılmadığı takdirde yaralanma ve ürün hasarı riski artar.
- Bakım işlemini yalnızca kullanıcı kılavuzunda belirtildiği şekilde gerçekleştirin. Diğer tüm servis ve bakım işlemleri, onaylı Husqvarna servis noktası tarafından yapılmalıdır.
- Ürün üzerindeki servis işlemlerini düzenli olarak Husqvarna servis noktasına yaptırın.
- Hasarlı, aşınmış ya da kırık parçaları değiştirin.

Montaj

Tutma yerini takma

1. Vidayı (A) iterek tutma yerinin (B), plastik pulun (C) ve tutma yeri destek braketinin (D) içinden geçirin. (Şek. 16)
2. Somunu (E) tamamen sıkın.
3. Vidayı (F) iterek pulun (G) ve tutma yeri destek braketinin içinden geçirin.
4. Topuzu (H) tamamen sıkın.
5. Tutma çubuğundaki delikleri alt koldaki deliklerle hizalayıp vidaları, rondelaları ve düğmeleri takın. Düğmeleri tamamen sıkın. (Şek. 17)
6. Kabloları, kablo tutucuların yardımıyla kola takın. (Şek. 18)

Not: Kabloların gerginliğinin çok yüksek olmadığından emin olun. Çok yüksek gerginlik, kol

nakliye konumuna katlandığında kabloların hasar görmesine neden olabilir.

7. Kabloları kolun alt kısmındaki kancanın etrafına yerleştirin. (Şek. 19)

Kol yüksekliğini ayarlama

1. Alt düğmeleri gevşetin. (Şek. 20)
2. Sol ve sağ taraftaki düğmeyi, rondelayı ve vidayı çıkarın.
3. Kol, 2 farklı seviyeye ayarlanabilir. Vidayı sol ve sağ taraftaki 2 delikten birine takın. (Şek. 21)
4. Vidaları, rondelaları ve düğmeleri takın.
5. Düğmeleri durana ve tık sesi duyulana kadar kol yönünde yukarı hareket ettirin. Düğmeleri tamamen sıkın. (Şek. 22)

Ürünü taşıma konumuna getirme

1. Çim toplama sepetini çıkarın.
2. Üst koldaki düğmeleri gevşetin ve kolu aşağı doğru katlayın. (Şek. 23)
3. Alt düğmeleri gevşetin.
4. Düğmeleri ürünün sol ve sağ tarafındaki girintilerin alttaki ucuna getirin. (Şek. 24)
5. Kolu öne doğru katlayın. (Şek. 25)

Ürünü çalıştırma konumuna getirme

1. Gidonu, alt tutma yeri çalışma konumuna kilitlene kadar kaldırın. (Şek. 26)
2. Düğmeleri durana ve tık sesi duyulana kadar kol yönünde yukarı hareket ettirin.

3. Düğmeleri tamamen sıkın. (Şek. 27)
4. Gidonun üst kısmını kaldırın.
5. Düğmeleri tamamen sıkın. (Şek. 28)

Çim toplama sepetinin takılması

1. Çim toplama sepetinin üst parçasını alt parçasının üzerine yerleştirin. (Şek. 29)
2. Çim toplama sepeti çerçevesini klipslerle sabitleyin. (Şek. 30)
3. Arka kapağı kaldırın.
4. Çim toplama sepetinin üzerindeki kancaları şasinin üst kenarına geçirin. (Şek. 31)
5. Çim toplama sepetinin alt kısmını çim boşaltma kanalına yerleştirin.

Çalışma

Giriş



UYARI: Ürünü kullanmadan önce güvenli bölüğünü okuyup anlamalısınız.

Husqvarna Connect

Husqvarna Connect, mobil cihazınız için ücretsiz bir uygulamadır. Husqvarna Connect uygulaması, Husqvarna ürününüz için ayrıntılı işlevler sunar:

- Ayrıntılı ürün bilgileri.
- Ürün parçaları ve servis hakkında bilgi ve yardım.

Husqvarna Connect uygulamasını kullanmaya başlamak için

1. Husqvarna Connect uygulamasını mobil cihazınıza indirin.
2. Husqvarna Connect uygulamasında kaydolun.
3. Ürünü bağlamak ve kaydettirmek için Husqvarna Connect uygulamasındaki talimatları izleyin.

Ürünü çalıştırmadan önce

1. Kullanım kılavuzunu dikkatle okuyun ve talimatları anladığınızdan emin olun.
2. Doğru bir şekilde takılıp ayarlandığından emin olmak için kesme donanımını inceleyin. Bkz. *Kesme donanımını kontrol etme sayfada: 348.*
3. Yakıt tankını doldurun. Bkz. *Yakıt doldurma sayfada: 346.*
4. Yağ tankını doldurun ve yağ seviyesini kontrol edin. Bkz. *Yağ seviyesini kontrol etme sayfada: 349.*

Yakıt doldurma

Varsa düşük emisyon sınıfı/alkilat yakıtı olan benzin kullanın. Düşük emisyon sınıfı/alkilat yakıtı olan benzin

yoksa oktan sayısı 91'den düşük olmayan, kaliteli kurşunsuz veya kurşunlu benzin kullanın.



DİKKAT: Oktan sayısı 91 RON değerinin altında olan benzinleri kullanmayın. Bu, üründe hasara neden olabilir.



DİKKAT: Yakıt filtresini yılda bir veya gerekirse daha sık değiştirin. Yeni yakıt filtresini Husqvarna bayinizden temin edebilirsiniz.



DİKKAT: Yakıt doldurmadan önce her zaman motoru durdurun.



DİKKAT: Basıncılı marş sıvıları kullanmayın.

1. Basıncı tahliye etmek için yakıt tankı kapağını yavaşça açın.
2. Yakıt bidonuyla yavaşça doldurun. Yakıt dökerseniz bezle silin ve kalan yakıtı kurumaya bırakın. (Şek. 32)
3. Yakıt tankı kapağının çevresini temizleyin.
4. Yakıt tankı kapağını tamamen sıkın. Yakıt tankı kapağı sıkılmamışsa yangın riski vardır.
5. Çalıştırmadan önce ürünü, yakıt tankını doldurduğunuz konumdan en az 3 m/10 ft uzağa taşıyın.

Kesme yüksekliğini ayarlama

1. Kesme yüksekliğini artırmak için kesme yüksekliği kolunu arkaya getirin.
2. Kesme yüksekliğini azaltmak için kesme yüksekliği kolunu öne getirin. (Şek. 33)



DİKKAT: Kesme yüksekliğini çok alçakta belirlemeyin. Çimenlik alanın yüzeyi düz değilse bıçaklar yere çarpabilir.

Ürünü çalıştırma

1. Ateşleme kablosunun bujiye bağlandığından emin olun.
2. Ürünün arkasında durun.
3. Motor fren kolunu tutma çubuğunun karşısında tutun. (Şek. 34)
4. Çalıştırma ipinin kolunu sağ elinizle tutun.
5. Çalıştırma ipini bir miktar direnç hissedene kadar yavaşça çekin.
6. Motoru çalıştırmak için kuvvetlice çekin.



UYARI: Çalıştırma ipini elinize dolamayın.

Tekerleklerde tahrikin kullanılması

- Tahrik kolunu gidonun yönünde itin. (Şek. 35)

- Örneğin bir engele yaklaştığınızda, tahriki devre dışı bırakmak için tahrik kolunu serbest bırakın.
- Ürünü geriye doğru çekmeden önce tahriki devre dışı bırakın ve ürünü yaklaşık 10 cm ileri itin.

Ürünü durdurmak için

- Yalnızca tahriki durdurmak için tahrik kolunu serbest bırakın.
- Motoru durdurmak için motor fren kolunu serbest bırakın.

İyi sonuç alma

- Her zaman keskin bıçak kullanın. Kör bıçak, düzensiz bir sonuç verir ve çimin kesme yüzeyi sarı olur. Ayrıca keskin bıçak kör bıçaktan daha az güç kullanır.
- Çim boyunun 1/3'ünden fazlasını kesmeyin. Önce kesme yüksekliği yüksek ayardayken kesmeye başlayın. Sonucu inceleyin ve kesme yüksekliğini uygun seviyeye indirin. Çimler çok uzunsa makineyi yavaş kullanın ve gerekirse 2 kere kesin.
- Her seferinde farklı yönlerde keserek çimenlik alanında çizgi oluşmasını önleyin.

Bakım

Giriş



UYARI: Bakım yapmadan önce güvenlik bölümünü okuyup anlamanız gerekir.

Ürüne uygulanacak tüm servis ve onarım işlemleri için özel eğitim gereklidir. Profesyonel onarım ve servis hizmetlerinin mevcut bulunduğunu garanti etmekteyiz. Yetkili satıcınız servis noktası değilse kendisiyle görüşüp en yakınınızdaki servis noktası hakkında bilgi edinin.

Bakım takvimi



DİKKAT: Ürünü eğerken hava filtresinin yere dayalı değil, havada olduğundan emin olun. Motor hasarı riski.

Bakım aralıkları, ürünün günlük kullanımına göre hesaplanır. Ürün her gün kullanılmazsa aralıklar değişir.

* İşaretili bakım işlemleri için bkz. *Ürünün üzerindeki güvenlik aletleri sayfa: 344.*

| Bakım | Günlük | Aylık olarak | Her mevsimde |
|--|--------|--------------|--------------|
| Genel inceleme yapma | X | | |
| Yağ seviyesini inceleme | X | | |
| Yağ değişimi (ilk kullanımda 5 saatten sonra, daha sonra her 50 saatlik kullanımda bir) ¹⁸³ | | | X |
| Ürünü temizleme | X | | |
| Kesme donanımını inceleme | X | | |
| Kesme kapağını inceleme * | X | | |
| Motor fren kolunu inceleme * | X | | |
| Susturucuyu inceleme * | | X | |

¹⁸³ Ürün ağır yükte veya yüksek ortam sıcaklıklarında kullanılıyorsa motor yağınızı her 25 saatte bir değiştirin.

| Bakım | Günlük | Aylık olarak | Her mevsimde |
|---|--------|--------------|--------------|
| Bujiyi kontrol edin. Gerekirse bujii temizleyin veya deęiřtirin | | | X |
| Hava filtresini inceleyin | X | | |
| Hava filtresini temizleyiniz ¹⁸⁴ | | X | |
| Hava filtresini deęiřtirin | | | X |
| Yakıt sistemini inceleme | | | X |
| Silindirin soęutma kanatlarını temizleme | | X | |
| Kavrama kablosunu inceleme ve ayarlama (LC 140SP) | | | X |

Genel denetim yapma

- Ürünün üzerindeki tüm somun ve vidaların doğru şekilde sıkıldığından emin olun.

Ürünün dış kısmını temizleme

- Yaprak, çim ve kirleri gidermek için fırça kullanın.
- Motorun üst kısmındaki hava girişinin kapanmadığından emin olun.
- Ürünü temizlemek için yüksek basınçlı yıkayıcı kullanmayın.
- Ürünü temizlemek için su kullanıyorsanız suyu doğrudan motorun üzerine akıtmayın.

Kesme kapağının iç yüzeyini temizleme

1. Yakıt tankını boşaltın.
2. Ürünü eğin. Bujinin yukarı doğru baktığından emin olun.



DİKKAT: Ürün hava filtresi alta gelecek şekilde yerleştirilirse motor hasar görebilir.

3. Kesme kapağının iç yüzeyini hortum kullanarak suyla yıkayın.

Kesme donanımını kontrol etme



UYARI: Kazara çalışmayı önlemek için ateşleme kablosunu bujiden ayırın.



UYARI: Kesme donanımına bakım yaptığınızda koruyucu eldivenler kullanın. Bıçak çok keskindir ve kolaylıkla kesiklere yol açabilir.

1. Kesme donanımında hasar veya çatlak olup olmadığını inceleyin. Hasarlı bir kesme donanımını kesinlikle deęiřtirin.

2. Hasarlı veya kör olup olmadığını anlamak için bıçağı bakın.

Not: Bilindikten sonra bıçağı dengelemek gerekir.

Bıçağın bir servis merkezinde bilenmesini, deęiřtirilmesini ve denetlenmesini sağlayın. Ürünün durmasına neden olan bir engele çarparsanız hasarlı bıçağı deęiřtirin. Bıçağın bilenip bilenmeyeceğini veya deęiřtirmek gerekip gerekmediğine servis merkezinin karar vermesini sağlayın.

Bıçağı deęiřtirme

1. Bıçağı ahşap bir blokla kilitleyin. (Şek. 36)
2. Bıçak civatasını sökün.
3. Bıçağı sökün.
4. Bıçak desteğinde ve bıçak civatasında hasar olup olmadığını kontrol edin.
5. Bükülmediğinden emin olmak için motor milini inceleyin.
6. Yeni bıçak taktığınızda bıçağın açılı uçlarını kesme kapağı yönüne çevirin. (Şek. 37)
7. Bıçağın, motor milinin orta kısmıyla hizalandığından emin olun.
8. Bıçağı ahşap bir blokla kilitleyin. Yaylı rondela takıp civatayı ve rondelayı 45–60 Nm'lik torkla sıkın. (Şek. 38)
9. Bıçağı elinizle çekerek döndürün ve serbestçe döndüğünden emin olun.
10. Bıçağı test etmek için ürünü çalıştırın. Bıçak düzgün takılmazsa üründe titreşim olur veya kesme sonucu tatmin edici olmaz.



UYARI: Ağır hizmet tipi eldiven kullanın. Bıçak çok keskindir ve kolaylıkla kesiklere yol açabilir.

¹⁸⁴ Tozlu koşullarda veya havada döküntü varsa daha sık temizleyin. Çok kirliyse hava filtresini deęiřtirin.

Yağ seviyesini kontrol etme



DİKKAT: Yağ seviyesinin çok düşük olması motora zarar verebilir. Ürünü çalıştırmadan önce yağ seviyesini kontrol edin.

1. Ürünü düz bir zemine koyun.
2. Takılı daldırma çubuk ölçekle yağ tankı kapağını çıkarın.
3. Yağ çubuğundaki yağı temizleyin.
4. Yağ seviyesini doğru bir şekilde belirtmesi için daldırma çubuk ölçeği tamamen yağ tankına sokun.
5. Daldırma çubuk ölçeği çıkarın.
6. Yağ ölçme çubuğundaki yağ seviyesini kontrol edin.
7. Yağ seviyesi düşükse motor yağı doldurun ve yağ seviyesini tekrar kontrol edin.

Not: Dökülmeyi önlemek için huni kullanın.

Motor yağının değiştirilmesi



UYARI: Motor yağı, motor durdurulduktan hemen sonra çok sıcaktır. Motor yağını boşaltmadan önce motorun soğumasını bekleyin. Cildinize motor yağı dökülürse sabun ve suyla temizleyin.

(Şek. 39)

Not: 4 zamanlı motor yağı kullanın. Ortam sıcaklığına uygun viskoziteyi kullandığınızdan emin olun.

1. Ürünü yakıt tankı boşalana kadar çalıştırın.
2. Ateşleme kablosunu bujiden çıkartın.
3. Yağ tankı kapağını çıkarın.
4. Yağ tankındaki motor yağını bir yağ pompası (aksesuar) yardımıyla boşaltın.
5. *Teknik veriler sayfa:* 351 bölümünde tavsiye edilen tip yeni motor yağı doldurun.
6. Yağ seviyesini kontrol edin. Bkz. *Yağ seviyesini kontrol etme sayfa:* 349.

Köpük plastik filtreyi temizleme

1. Hava filtresi kapağını ve köpük plastik filtreyi çıkarın.
2. Köpük plastik filtreyi su ve sabunla temizleyin.
3. Köpük plastik filtreyi temiz suya batırın.
4. Köpük plastik filtredeki suyu sıkıp filtreyi kurumaya bırakın.



DİKKAT: Basıncı hava kullanmayın. Aksi halde köpük plastik filtre zarar görebilir.

5. Köpük plastik filtreyi motor yağıyla yağlayın.

6. Fazla yağı temizlemek için köpük plastik filtreye temiz bir bez bastırın.
7. Hava filtresini tekrar takın. Hava filtresinin hava filtresi tutucusuna tamamen oturduğundan emin olun.
8. Hava filtresi kapağını tekrar takın.

Bujinin kontrol edilmesi



DİKKAT: Daima önerilen tipte buji kullanın. Yanlış buji türü ürüne zarar verebilir.

- Motor gücü düşükse, çalıştırılması kolay değilse veya rölantide düzgün bir şekilde çalışmıyorsa bujii kontrol edin.
- Buji elektrotlarında istenmeyen nesne riskini azaltmak için şu talimatlara uyun:
 - a) Rölanti hızının doğru ayarlandığından emin olun.
 - b) Yakıt karışımının doğru olduğundan emin olun.
 - c) Hava filtresinin temiz olduğundan emin olun.
- Buji kirliyse temizleyin ve elektrot boşluğunun doğru olduğundan emin olun, bkz. *Teknik veriler sayfa:* 351. (Şek. 40)
- Gerekirse bujii değiştirin.

Yakıt sistemini kontrol etme

- Hasar olmadığından emin olmak için yakıt tankı kapağını ve yakıt tankı kapağının contasını inceleyin.
- Sızıntı olmadığından emin olmak için yakıt hortumunu inceleyin. Yakıt hortumu hasarlıysa bir servis noktasında değiştirilmesini sağlayın.

Kavrama kablosunu ayarlama (LC 140SP)

Aşağıdaki durumlarda kavrama kablosunun uzunluğunun azaltılması gerekir:

- Tahrik kolunu veya hız kontrol kolunu çektiğinizde tekerleklerin tahriki devreye girmezse.
- Tekerleklerin tahriki devredeyken ürün yavaş hareket ederse.

Aşağıdaki durumlarda kavrama kablosu uzunluğunun artırılması gerekir:

- Tekerleklerin tahriki devrede değilken ürün hareket ederse.
- Kavrama kablosunu ayarlayın.
 - a) Kavrama kablosunun uzunluğunu azaltmak için ayar vidasını saat yönünün tersine çevirin.
 - b) Kavrama kablosunun uzunluğunu artırmak için ayar vidasını saat yönünde çevirin. (Şek. 41)

Üründeki tahrik, ayarlardan sonra da yetersiz kalmaya devam ederse servis bayinizle görüşün

Motor sorunlarını giderme

| Sorun | Olası neden | Çözüm |
|---|---|---|
| Motor çalışmıyor. | Ateşleme kablosu doğru bir şekilde bağlanmamıştır. | Ateşleme kablosunu bujiye bağlayın. |
| | Yakıt tankı boştur. | Yakıt tankını doğru tipte yakıtla doldurun. |
| | Yakıt eskidir. | Yakıt tankını ve karbüratörü boşaltın. Yeni benzin doldurun. |
| | Karbüratör veya yakıt hattında kir vardır. | Karbüratörü ve/veya yakıt hattını temizleyin. |
| | Buji arızalıdır. | Elektrot boşluğunu ayarlayın, bujiyi temizleyin veya değiştirin. |
| | Bujinin üstünde yakıt var. | Bujiyi temizleyin. |
| Motor durmuyor. | Durma mekanizması arızalı. | Ateşleme kablosunu bujiden ayırın. Yetkili bir servis noktasında ürünü tamir ettirin. |
| Motor sorunlu şekilde çalışıyor. | Ateşleme kablosu doğru bir şekilde bağlanmamıştır. | Ateşleme kablosunu bujiye bağlayın. |
| | Yakıt hattında kir vardır veya yakıt eskimiştir. | Yakıt hattını temizleyin. Yakıt tankını doğru türde yeni bir yakıtla doldurun. |
| | Yakıt tankı kapağı tıkanmıştır. | Yakıt tankı kapağını temizleyin. |
| | Yakıt sisteminde su veya kir vardır. | Yakıt tankını boşaltın. Yakıt tankını doğru türde yeni bir yakıtla doldurun. |
| | Hava filtresi kirlidir. | Hava filtresini temizleyin. |
| | Karbüratörün ayarlanması gerekir. | Servis bayisinde karbüratörü ayarlatın. |
| Motor çok ısınıyor. | Motor yağ seviyesi çok düşüktür. | Motor yağını doldurun. |
| | Hava akışı yeterli değil. | Hava filtresini ve hava filtresi yuvasını temizleyin. |
| | Karbüratörün ayarlanması gerekir. | Servis bayisinde karbüratörü ayarlatın. |
| Yüksek hızda çalışırken motorda tekleme var. | Bujideki elektrot boşluğu çok küçüktür. | Elektrot boşluğunu ayarlayın. |
| Normal yük sırasında motordan olağan dışı sesler geliyor. | Yanlış benzin tipi. | Yakıt tankını ve karbüratörü boşaltın. Yeni benzin doldurun. Bkz. <i>Yakıt doldurma sayfa: 346</i> . Sorun devam ederse yerel servis bayinize başvurun. |
| Motor, rölantide düzgün çalışmıyor. | Buji kirlidir, arızalıdır veya elektrot boşluğu çok geniştir. | Elektrot boşluğunu ayarlayın veya bujiyi değiştirin. |
| | Karbüratörün ayarlanması gerekir. | Karbüratörü ayarlayın. |
| | Hava filtresi kirlidir. | Hava filtresini temizleyin. |

Taşıma, depolama ve atma

Taşıma ve saklama

- Ürün ile yakıtı taşımak ve saklamak için sızıntı veya duman olmadığından emin olun. Örneğin, elektrikli cihazlardan veya kazanlardan kaynaklanan kıvılcım veya açık alevler yangın çıkarabilir.
- Yakıtı taşımak ve saklamak için her zaman onaylı kaplar kullanın.
- Ürünü uzun bir süre için saklama yerine koymadan önce yakıt tankını boşaltın. Yakıtı uygun bir çöp atma merkezinde bertaraf edin
- Hasar veya kaza olmasını önlemek için taşıma sırasında ürünü güvenli bir şekilde bağlayın.

- Çocukların veya yetkili olmayan kişilerin erişmesini önlemek için ürünü kilitli bir alanda tutun.
- Ürünü kuru ve donmayan bir yerde tutun.

Atma

- Yerel geri dönüşüm gerekliliklerine ve geçerli düzenlemelere uyun.
- Motor yağı veya yakıt gibi kimyasalları servis merkezinde veya uygun bir atık noktasında atın.
- Ürün artık kullanılmıyorsa ürünü Husqvarna bayisine gönderin veya geri dönüşüm noktasında atın.

Teknik veriler

Teknik veriler

| | LC 140P | LC 140SP |
|---|--|--|
| Motor | | |
| Marka | Husqvarna | Husqvarna |
| Motor modeli adı | HS 123A | HS 123A |
| Motor tipi | Tek silindirli, 4 Zamanlı, Basınçlı Havayla Soğutma, OHV | Tek silindirli, 4 Zamanlı, Basınçlı Havayla Soğutma, OHV |
| Hacim, cm ³ | 123 | 123 |
| Hız, rpm | 3000 | 3000 |
| Nominal motor çıkış gücü, kW ¹⁸⁵ | 1,95 | 1,95 |
| Ateşleme sistemi | | |
| Buji | Husqvarna HQT-7 | Husqvarna HQT-7 |
| Elektrot boşluğu, mm | 0,7-0,8 | 0,7-0,8 |
| Yakıt ve yağlama sistemi | | |
| Motor yağlama türü | Sıçrama | Sıçrama |
| Yakıt tankı kapasitesi, litre | 0,9 | 0,9 |
| Yağ tankı kapasitesi, litre | 0,5 | 0,5 |
| Motor yağı ¹⁸⁶ | Husqvarna SAE 30 | Husqvarna SAE 30 |

¹⁸⁵ Motor için gösterilen güç derecesi SAE J1349/ISO1585 standardına göre ölçülen motor modeli için tipik bir üretim motorunun (belirlenmiş dev/dk'da) ortalama net güç çıkışıdır. Seri üretim motorları bu değerden farklı olabilir. Ürünün son haline takılan motorun gerçek güç çıkışı çalışma hızına, çevre koşullarına ve diğer değerlere bağlıdır.

¹⁸⁶ SAE-30 yağ, 5°C'nin altındaki sıcaklıklarda kullanılırsa motoru yeterince yağlamama riski vardır. Bu, motora zarar verebilir. Düşük sıcaklıklara yönelik doğru yağ için bkz. *Motor yağının değiştirilmesi sayfa: 349.*

| | LC 140P | LC 140SP |
|---|--------------------------|--------------------------|
| Ağırlık | | |
| Boş tanklarla birlikte, kg | 25,2 | 26,8 |
| Gürültü yayma¹⁸⁷ | | |
| Ses gücü düzeyi, ölçülen, dB(A) | 93 | 93 |
| Ses gücü seviyesi, garantili, L _{WA} dB(A) | 95 | 95 |
| Ses seviyeleri¹⁸⁸ | | |
| Operatörün kulağındaki ses basıncı düzeyi, dB (A) | 81 | 81 |
| Titreşim seviyeleri¹⁸⁹ | | |
| Gidondaki titreşim, m/sn ² | 5,6 | 7,6 |
| Kesme donanımı | | |
| Kesme yüksekliği, mm | 25-75 | 25-75 |
| Kesme genişliği, mm | 400 | 400 |
| Kesim sistemi | Toplama/Arkadan boşaltma | Toplama/Arkadan boşaltma |
| Bıçaklar - standart | Toplama 5873863-10 | Toplama 5873863-10 |
| Çim ayırıcı kapasitesi, litre | 50 | 50 |
| Tahrik | | |
| Kendi kendine yürüme hızı, km/sa. | - | 4 |

¹⁸⁷ 2000/14/AT sayılı AT direktifi uyarınca ses gücü (L_{WA}) olarak çevrede ölçülen gürültü yayma seviyesi.

¹⁸⁸ Ses basıncı düzeyi için bildirilen verilerdeki tipik istatistik dağılım (standart sapma) 1,2 dB (A) şeklindedir.

¹⁸⁹ Titreşim düzeyi için bildirilen verilerin tipik istatistik dağılımı (standart sapması) 0,2 m/sn² şeklindedir.

AT Uyumluluk Bildirimi

AT Uyumluluk Bildirimi

Husqvarna AB, SE-561 82 Huskvarna, İsveç, tel.: +46-36-146500, 2020 ve sonrası seri numaralı **Husqvarna LC 140P, LC 140SP** model çim biçme makinelerinin KONSEY DİREKTİFİ gereksinimleriyle uyumlu olduğunu beyan eder:

- 8 Haziran 2011 tarihli ve **2011/65/AB** sayılı "belirli tehlikeli maddelerin kısıtlanmasına" ilişkin direktif
- 17 Mayıs 2006 tarihli ve **2006/42/AT** sayılı "makinelere ilgili" direktif
- 26 Şubat 2014 tarihli ve **2014/30/AB** sayılı "elektromanyetik uyumlulukla ilgili" direktif
- 8 Mayıs 2000 tarihli ve **2000/14/AT** sayılı "çevredeki gürültü emisyonları ile ilgili" direktif

Gürültü emisyonlarıyla ilgili bilgi için Teknik veriler bölümüne bakın.

Aşağıdaki standartlar uygulanmıştır:

EN ISO 5395-1:2013, EN ISO 5395-1:2013/A1, EN ISO 5395-2:2013, EN ISO 5395-2:2013/A1:2016, EN ISO 5395-2:2013/A2:2017, EN ISO 14982:2009

Başka şekilde belirtilmemişse yukarıda listelenen standartlar en son yayınlanan sürümlerdir.

Onaylanmış kuruluş: **0036, TÜV SÜD Industrie Service GmbH, Westendstrasse 199, 80686 München, Germany**
2000/14/AT direktifindeki Ek VI'ya göre uyumluluk değerlendirmesi gerçekleştirmiştir.

Huskvarna, 2020-10-20



Claes Losdal, Geliştirme Müdürü/Bahçe Ürünleri
(Husqvarna AB yetkili temsilcisi ve teknik dokümantasyon sorumlusu)

Türk ithalat şirketi daha fazla bilgi için temas edilecek:
Çullas Orman Bahçe ve Tarım Mak. San. Tic. A.Ş.
Suadiye Mh. Bağdat Cd. No:455/4
Kadıköy – 34740 İstanbul / Türkiye
Telefon: +90 216 519 88 82
Faks: +90 216 519 88 78
info@cullas.com.tr



Зміст

| | | | |
|------------------------------|-----|---|-----|
| Вступ..... | 354 | Усунення несправностей двигуна..... | 363 |
| Безпека..... | 355 | Транспортування, зберігання й утилізація..... | 364 |
| Збирання..... | 358 | Технічні характеристики..... | 364 |
| Експлуатація..... | 358 | Декларація відповідності ЄС..... | 367 |
| ТЕХНІЧНЕ ОБСЛУГОВУВАННЯ..... | 360 | | |

Вступ

Опис виробу

Цей виріб – обертальна газонокосарка, керована пішим оператором. Трава збирається в травозбірник. Для того, щоб трава викидалася ззаду, приберіть травозбірник.

Огляд виробу

(Мал. 1)

1. Ручка / рукоятка
2. Приводна скоба (LC 140SP)
3. Рукоятка стартера
4. Травозбірник
5. Паливний бак
6. Повітряний фільтр
7. Свічка запалювання
8. Кожух леза
9. Глушник
10. Кришка бака для оливи
11. Важіль регулювання висоти різання
12. Задній кожух
13. Ручка зупинення двигуна
14. Позначення
15. Нижня ручка в зборі
16. Нижня ручка
17. Посібник користувача
18. Лійка для оливи

Символи на виробі

- (Мал. 2) **ПОПЕРЕДЖЕННЯ!** Будьте обережні й використовуйте виріб правильно. Цей виріб може призвести до отримання серйозних травм або смерті оператора чи сторонніх осіб.
- (Мал. 3) Перед початком використання виробу уважно прочитайте посібник користувача й переконайтеся, що зрозуміли всі вказівки.
- (Мал. 4) Остерігайтеся рикошету й об'єктів, які можуть вилітати з-під виробу.

Призначення

Користуйтеся виробом для зрізання трави. Забороняється використовувати виріб для інших завдань.

- (Мал. 5) Сторонні особи та тварини повинні перебувати на безпечній відстані від робочої зони.
- (Мал. 6) Увага! Тримайте руки та ноги на відстані від леза, що обертається.
- (Мал. 7) Увага! Тримайте руки та ноги на відстані від деталей, що обертаються.
- (Мал. 8) Перед проведенням ремонтних робіт або обслуговування необхідно зупинити двигун та витягнути провід запалювання.
- (Мал. 9) Цей виріб відповідає вимогам ЄС.
- (Мал. 10) Рівень випромінювання шуму в середовище відповідає директиві Європейської Спільноти. Рівень випромінювання шуму виробу вказано в розділі «Технічні дані» і на паспортній таблиці.
- (Мал. 11) Небезпека загоряння.
- (Мал. 12) Не вдихайте вихлопні дими. Вихлопні гази з двигуна містять монооксид вуглецю, отруйний та дуже небезпечний газ без запаху. Забороняється заводити виріб у приміщенні чи в замкнутому просторі.
- (Мал. 13) Гаряча поверхня.
- (Мал. 14) Перш ніж запускати виріб, залийте оливу у двигун.

Зверніть увагу: Інші позначення/бирки на виробі стосуються сертифікаційних вимог для певних торгових зон.

Відповідає вимогам європейського екологічного стандарту Євро-5



ПОПЕРЕДЖЕННЯ: Внесення змін у двигун позбавляє чинності сертифікацію ЄС для цього виробу.

Відповідальність за якість продукції

Згідно із законом про відповідальність за якість продукції ми не несемо відповідальності за будь-які

пошкодження, спричинені роботою наших виробів, якщо:

- виріб було неправильно відремontовано;
- виріб було відремontовано із використанням деталей, виготовлених не виробником або не затверджених ним;
- виріб обладнано аксесуаром, виготовленим не виробником або не затвердженим ним;
- виріб було відремontовано в неавторизованому сервісному центрі або неавторизованою компанією;

Безпека

Визначення щодо безпеки

Попередження, застереження й примітки служать для наголосшення на особливо важливих положеннях посібника.



ПОПЕРЕДЖЕННЯ: Вказує на те, що в разі порушення інструкцій, наведених у цьому посібнику, існує небезпека поранення або смерті оператора чи інших осіб, що знаходяться поруч.



УВАГА: Вказує на те, що в разі порушення інструкцій, наведених у цьому посібнику, існує небезпека пошкодження виробу, інших матеріалів або навколишніх об'єктів.

Зверніть увагу: Використовується для надання додаткової інформації щодо певної ситуації.

Загальні правила техніки безпеки



ПОПЕРЕДЖЕННЯ: Перш ніж розпочати використання виробу, уважно прочитайте наведені нижче попередження.

- Цей виріб може бути небезпечним у разі неправильного або недбалого використання. Порушення правил техніки безпеки може призвести до травм або смерті.
- Під час роботи цього виробу утворюється електромагнітне поле. Це поле може за деяких умов взаємодіяти з активними чи пасивними медичними імплантатами. Щоб зменшити ризик тяжких або смертельних травм, рекомендуємо особам із медичними імплантатами проконсультуватися зі своїм лікарем і виробником медичного імплантату перед початком експлуатації цього виробу.
- Завжди будьте обережні та керуйтеся здоровим глуздом. Якщо ви маєте сумніви щодо того, як користуватися виробом у конкретній ситуації,

припиніть роботу та проконсультуйтеся з дилером Husqvarna.

- Пам'ятайте, що оператор несе відповідальність за нещасні випадки, в результаті яких постраждали інші особи або їхнє майно.
- Підтримуйте виріб чистим. Переконайтеся, що знаки та наклейки знаходяться в читабельному стані.
- Не дозволяйте використовувати виріб стороннім людям доки не переконаєтеся, що вони прочитали та зрозуміли весь зміст посібника користувача.
- Не давайте використовувати прилад дітям.
- Не підпускайте до робочої зони дітей. Біля виробу, що працює, має завжди перебувати відповідальна доросла особа.
- Не давайте використовувати прилад особам, що не ознайомилися з інструкціями.
- Завжди наглядайте за особами з обмеженими фізичними чи розумовими можливостями, що використовують виріб. Біля виробу, що працює, повинна завжди знаходитися відповідальна доросла особа.
- Забороняється використовувати виріб, якщо ви втомлені, хворі, чи перебуваєте під впливом наркотиків, алкоголю або медикаментів. Ці фактори мають негативний вплив на ваш зір, зосередженість, свідомість та координацію рухів.
- Забороняється використовувати виріб у разі його несправності.
- Забороняється зміни в конструкцію виробу чи використовувати виріб, якщо є підозра, що його було змінено сторонніми особами.
- Не змінюйте налаштування керування частотою обертання двигуна.

Безпека в робочій зоні



ПОПЕРЕДЖЕННЯ: Перш ніж розпочати використання виробу, уважно прочитайте наведені нижче попередження.

- Перед використанням виробу приборіть з робочої зони всі гілки, лозу та каміння.

- Предмети, що потраплять на різальне обладнання, можуть відлетіти та поранити сторонніх осіб або пошкодити інші предмети. Сторонні особи та тварини повинні знаходитися на безпечній відстані від виробу.
- Забороняється використовувати виріб за поганої погоди на кшталт туману, дощу, сильного вітру, значного холоду або грози. Робота в погану погоду або на вологих ділянках виснажує. Погана погода може стати причиною небезпечних умов роботи, таких як слизькі поверхні.
- Бережіться осіб, предметів та ситуацій, які можуть зашкодити безпечній роботі виробу.
- Бережіться перешкод на кшталт коріння, каміння, гілок, ям або канав. Висока трава може приховувати перешкоди.
- Скошування трави на схилах може бути небезпечним. Не використовуйте виріб на ділянках із нахилом понад 15°.
- Використовуйте виріб на схилах у горизонтальному напрямку. Не рухайтесь вгору і вниз.
- Будьте обережні, наближаючись до прихованих кутів та предметів, які можуть закрити поле зору.

Техніка безпеки



ПОПЕРЕДЖЕННЯ: Перш ніж розпочати використання виробу, уважно прочитайте наведені нижче попередження.

- Використовуйте виріб лише для скошування трав'яних газонів. Заборонено використовувати виріб для інших цілей.
- Використовуйте засоби індивідуального захисту. Див. *Засоби індивідуального захисту на сторінці 356*.
- Дізнайтеся, як швидко зупинити двигун в екстреній ситуації.
- Забороняється запускати двигун у закритому приміщенні або поблизу легкозаймистих матеріалів. Вихлопні дими мають високу температуру й можуть містити іскри, що можуть призвести до пожежі.
- Забороняється використовувати виріб без правильно встановленого леза та всіх кожухів. Неправильно встановлене лезо може від'єднатися й призвести до травм.
- Слідкуйте, щоб лезо не зачіпляло сторонні предмети на кшталт каміння та коріння. Це може призвести до пошкодження леза та згинання вала двигуна. Зігнута вісь викликає значні вібрації та призводить до ризику від'єднання леза від виробу.
- У разі удару леза об будь-який сторонній предмет чи появи вібрації негайно зупиніть виріб. Від'єднайте провід запалювання від свічки запалювання. Перевіряйте виріб на наявність пошкоджень. Виправляйте пошкодження або

здавайте виріб на ремонт в авторизований центр обслуговування.

- Забороняється закріплювати ручку зупинення двигуна на рукоятці, коли працює двигун.
- Поставте виріб на тверду рівну поверхню та увімкніть його. При цьому лезо не повинно торкатися землі або інших предметів.
- Під час роботи з виробом завжди залишайтеся позаду нього.
- Під час роботи з виробом усі колеса мають залишатися на землі, а обидві руки треба тримати на ручці. Тримайте руки та ноги на відстані від лез, що обертаються.
- Не нахиляйте виріб, коли двигун увімкнений.
- Будьте обережні під час руху у зворотному напрямку.
- Забороняється піднімати виріб коли двигун увімкнений. Якщо виріб треба підняти, спочатку вимкніть двигун та від'єднайте провід запалювання від свічки запалювання.
- Не рухайтесь у зворотному напрямку під час роботи з виробом.
- Вимикайте двигун під час руху через ділянки без трави на кшталт доріжок із гравію, каменю або асфальту.
- Не бігайте з виробом, коли двигун увімкнений. Під час роботи з виробом необхідно ходити зі звичайною швидкістю.
- Вимикайте двигун, перш ніж змінювати висоту різання. Забороняється виконувати регулювання при увімкненому двигуні.
- Забороняється залишати виріб без нагляду коли двигун працює. Зупиніть двигун та переконайтеся, що ріжуче обладнання не обертається.

Правила техніки безпеки під час використання

Засоби індивідуального захисту



ПОПЕРЕДЖЕННЯ: Перш ніж розпочати використання виробу, уважно прочитайте наведені нижче попередження.

- Особисте захисне спорядження не може повністю усунути небезпеку травмування, але при нещасному випадку воно знизить ступінь важкості травми. Дозвольте дилеру допомогти вам із вибором підходящого обладнання.
- Використовуйте засоби захисту органів слуху, якщо рівень шуму перевищує 85 дБ.
- Використовуйте взуття із захистом від ковзання для роботи у важких умовах. Забороняється використовувати відкрите взуття або працювати взагалі без нього.
- Використовуйте цупкі довгі штани.

- За потреби використовуйте рукавички, наприклад, якщо необхідно приєднати, оглянути або почистити різальне обладнання.

Механізми безпеки на пристрої



ПОПЕРЕДЖЕННЯ: Перш ніж розпочати використання виробу, уважно прочитайте наведені нижче попередження.

- Не використовуйте виріб із пошкодженими захисними пристроями.
- Регулярно перевіряйте захисні пристрої. У випадку пошкодження захисних пристроїв зверніться до центру обслуговування Husqvarna.

Перевірка кожуха леза

Кожух леза частково поглинає вібрацію виробу та знижує небезпеку травмування лезом.

- Огляньте кожух леза та переконайтеся, що він не має пошкоджень на кшталт тріщин.

Перевірка ручки зупинення двигуна

Ручка зупинення двигуна зупиняє двигун. За відпускання ручки зупинення двигуна він зупиняється.

- Запустіть двигун, а потім відпустіть ручку зупинення двигуна. Якщо двигун не зупиняється протягом 3 секунд, необхідно передати виріб в авторизований центр обслуговування Husqvarna для налаштування гальма двигуна. (Мал. 15)

Глушник

Глушник зменшує рівень шуму та відводить вихлопні гази подалі від оператора.

Не використовуйте виріб із пошкодженим глушником або взагалі без глушника. В разі пошкодження глушника збільшується рівень шуму та підвищується небезпека загорання.



ПОПЕРЕДЖЕННЯ: Під час роботи виробу та відразу після роботи, а також під час роботи двигуна на холодних обертах глушник сильно нагрівається. Зважайте на легкозаймисті матеріали та/або випари, щоб не допустити пожежі.

Заходи безпеки під час роботи з паливом



ПОПЕРЕДЖЕННЯ: Перш ніж розпочати використання виробу, уважно прочитайте наведені нижче попередження.

- Не запускайте виріб, якщо на ньому залишилося пальне або моторна олива. Приберіть непотрібне пальне/оливу та дайте виробу просохнути.
- Якщо ви пролили пальне на свій одяг, негайно переодягніться.

- Не допускайте потрапляння пального на тіло, адже це може призвести до травм. Для видалення пального, що потрапило на тіло, використовуйте мило та воду.
- Не запускайте виріб у разі наявності протікання у двигуні. Регулярно перевіряйте двигун на протікання.
- Будьте обережні при поводженні з паливом. Пальне є легкозаймистою речовиною, а його пари вибухонебезпечні та можуть призвести до травм або смерті.
- Не вдихайте вихлопні гази, це може призвести до травм. Забезпечте належне провітрювання.
- Не паліть біля пального або двигуна.
- Не кладіть біля пального або двигуна теплі предмети.
- Не доливайте пальне в працюючий виріб.
- Перед заправленням переконайтеся, що двигун охолонув.
- Перед заправленням повільно відкрийте кришку паливного бака, обережно зменшивши тиск.
- Не заправляйте виріб у приміщенні. Недостатнє провітрювання може призвести до травм або смерті внаслідок задухи чи отруєння монооксидом вуглецю.
- Затягуйте кришку паливного бака повністю. Якщо кришку паливного бака не затягнуто, існує ризик виникнення пожежі.
- Перед запуском пересуньте виріб щонайменше на 3 м від місця, де ви заправляли його.
- Не заповнюйте паливний бак повністю. Під впливом високої температури паливо розширюється. Залиште трохи вільного місця вгорі бака.

Правила техніки безпеки під час обслуговування



ПОПЕРЕДЖЕННЯ: Перш ніж розпочати використання виробу, уважно прочитайте наведені нижче попередження.

- Вихлопні гази з двигуна містять монооксид вуглецю, отруйний та дуже небезпечний газ без запаху. Забороняється заводити виріб у приміщенні чи в замкненому просторі.
- Перед тим, як почати технічне обслуговування виробу, вимкніть двигун та від'єднайте провід запалювання від свічки запалювання.
- Під час технічного обслуговування різального обладнання використовуйте захисні рукавиці. Лезо дуже гостре, ним можна легко порізатися.
- Встановлення аксесуарів, виготовлених не виробником, або внесення змін, не затверджених ним, може призвести до серйозної травми чи смерті. Вносити зміни в виріб забороняється. Використовуйте лише сертифіковані виробником аксесуари.

- Якщо не проводити правильне та регулярне технічне обслуговування, виникає небезпека травм та пошкодження виробу.
- Виконуйте технічне обслуговування лише так, як це наведено в цьому посібнику користувача. Будь-які інші види обслуговування повинні проводитися в авторизованому центрі обслуговування Husqvarna.
- Регулярне обслуговування виробу може проводити авторизований центр обслуговування Husqvarna.
- Замінійте пошкоджені, зношені або зламані деталі.

Збирання

Монтаж ручки

1. Вставте гвинт (A) таким чином, щоб він пройшов крізь ручку (B), пластикову шайбу (C) й кріпильну скобу ручки (D). (Мал. 16)
2. Повністю затягніть гайку (E).
3. Вставте гвинт (F) крізь шайбу (G) й кріпильну скобу ручки.
4. Повністю затягніть фіксуючу голівку (H).
5. Вирівняйте отвори в рукоятці відповідно до отворів у нижній ручці та встановіть гвинти, шайби та фіксуючі голівки. Надійно затягніть фіксуючі голівки. (Мал. 17)
6. Приєднайте кабелі до ручки за допомогою тримачів. (Мал. 18)

Зверніть увагу: Переконайтеся, що натяг кабелів не занадто високий. Надмірний натяг може пошкодити кабель, якщо ручку складено в положення для транспортування.

7. Повісьте кабелі на гачок, розташований унизу ручки. (Мал. 19)

Налаштування висоти ручки

1. Відпустіть нижні фіксувальні головки. (Мал. 20)
2. Зніміть фіксувальну головку, гайки та гвинт зліва та справа.
3. Доступні два варіанти висоти встановлення ручки. Вставте гвинт в один із двох отворів зліва та справа. (Мал. 21)
4. Встановіть гвинти, шайби та фіксуючі голівки.
5. Пересуньте головки вгору в напрямку ручки, доки вони не зупиняться та ви не почуєте клацання. Надійно затягніть фіксуючі голівки. (Мал. 22)

Встановлення виробу в положення для транспортування

1. Зніміть травозбірник.
2. Відпустіть фіксувальні головки на верхній частині ручки й складіть ручку. (Мал. 23)
3. Відпустіть нижні фіксувальні головки.
4. Пересуньте фіксувальні головки в нижню частину прорізів зліва й справа виробу. (Мал. 24)
5. Складіть ручку вперед. (Мал. 25)

Встановлення виробу в положення для експлуатації

1. Підніміть рукоятку, щоб її нижня частина зафіксувалася в робочому положенні. (Мал. 26)
2. Пересуньте фіксувальні головки вгору в напрямку ручки, доки вони не зупиняться й ви не почуєте клацання.
3. Надійно затягніть фіксувальні головки. (Мал. 27)
4. Підніміть верхню частину рукоятки.
5. Надійно затягніть фіксувальні головки. (Мал. 28)

Монтаж травозбірника

1. Установіть верхню частину травозбірника на його нижню частину. (Мал. 29)
2. Зафіксуйте раму травозбірника за допомогою затискачів. (Мал. 30)
3. Підніміть задню кришку.
4. Під'єднайте гаки травозбірника до верхньої кромки рами. (Мал. 31)
5. Встановіть нижню частину травозбірника в канал викидання трави.

Експлуатація

Вступ



ПОПЕРЕДЖЕННЯ: Перед експлуатацією виробу обов'язково прочитайте й усвідомте зміст розділу про заходи безпеки.

Husqvarna Connect

Husqvarna Connect є безкоштовною програмою для мобільного пристрою. У програмі Husqvarna Connect доступна ціла низка розширених функцій для користування Husqvarna:

- розширена інформація про виріб;

- відомості про деталі й обслуговування виробу, а також довідкова інформація.

Щоб почати користуватися Husqvarna Connect

1. Завантажте програму Husqvarna Connect на свій мобільний пристрій.
2. Зареєструйтеся в програмі Husqvarna Connect.
3. Виконайте кроки з реєстрації в програмі Husqvarna Connect, щоб під'єднати та зареєструвати виріб.

Перед початком роботи з виробом

1. Уважно прочитайте посібник користувача та переконайтеся, що ви зрозуміли всі вказівки.
2. Огляньте різальне обладнання та переконайтеся, що воно правильно встановлено та налаштовано. Див. *Перевірка різального обладнання на сторінці 361*.
3. Наповніть паливний бак. Див. *Заправлення паливом на сторінці 359*.
4. Наповніть паливний бак та перевірте рівень оливи. Див. *Перевірка рівня оливи на сторінці 361*.

Заправлення паливом

Якщо є можливість, використовуйте бензин із низьким рівнем викидів / алклатне паливо. Якщо можливості використовувати бензин із низьким рівнем викидів / алклатне паливо немає, використовуйте якісний неетилований бензин або етилований бензин з октановим числом не менше 91.



УВАГА: Не використовуйте бензин з октановим числом менше 91 RON. Це може призвести до пошкодження виробу.



УВАГА: Замінійте паливний фільтр щорічно або частіше, якщо необхідно. Новий паливний фільтр можна придбати в дилера Husqvarna.



УВАГА: Перед заливанням палива завжди зупиняйте двигун.



УВАГА: Не використовуйте рідину для запуску двигуна під тиском.

1. Повільно відкрутіть кришку паливного бака, щоб вивільнити тиск.
2. Повільно влийте пальне з каністри. У разі проливання пального витріть його ганчіркою або дайте йому висохнути. (Мал. 32)
3. Витріть поверхню біля кришки паливного бака.

4. Затягуйте кришку паливного бака повністю. Якщо кришку паливного бака не затягнуто, існує ризик виникнення пожежі.
5. Перед запуском пересуньте виріб щонайменше на 3 м від місця, де ви заправляли його.

Налаштування висоти різання

1. Для збільшення висоти різання потягніть важіль регулювання висоти різання назад.
2. Для зменшення висоти різання потягніть важіль регулювання висоти різання вперед. (Мал. 33)



УВАГА: Не встановлюйте занадто низьку висоту різання. Леза можуть зачепити землю, якщо поверхня газону буде нерівною.

Запуск виробу

1. Переконайтеся, що дріт запалювання під'єднаний до свічки запалювання.
2. Залишайтеся позаду виробу.
3. Утримуйте ручку зупинення двигуна біля рукоятки. (Мал. 34)
4. Утримуйте ручку троса стартера правою рукою.
5. Повільно потягніть ручку троса стартера доки не відчуєте деякий спротив.
6. Потягніть шнур сильно, щоб запустити двигун.



ПОПЕРЕДЖЕННЯ: Не намотуйте трос стартера на руку.

Підключення приводу до коліс

- Штовхніть привідну скобу в напрямку рукоятки. (Мал. 35)
- У разі наближенні до перешкоди відпустіть привідну скобу, щоб розчепити привід.
- Перш ніж рухати виріб у зворотному напрямку, розчепіть привід і штовхніть виріб уперед приблизно на 10 см.

Зупинка виробу

- Щоб зупинити тільки привід, необхідно відпустити привідну скобу.
- Щоб зупинити двигун, необхідно відпустити ручку зупинення двигуна.

Забезпечення ефективної роботи

- Завжди користуйтеся гострим лезом. Тупе лезо ріже нерівно, а трава на поверхні розрізу жовтіє. Крім того, гостре лезо споживає менше енергії за тупе.
- Не скошуйте більше $\frac{1}{4}$ довжини трави. Спочатку треба виконувати скошування з великою висотою різання. Оцініть результат і зменште висоту

зрізання на потрібну вам. Якщо трава дуже довга, ведіть газонокосарку повільно і виконайте скошування двічі, якщо це необхідно.

- Косіть щоразу в різних напрямках, щоб на газоні не було смуг.

ТЕХНІЧНЕ ОБСЛУГОВУВАННЯ

Вступ



ПОПЕРЕДЖЕННЯ: Перед виконанням робіт із технічного обслуговування обов'язково прочитайте й усвідомте зміст розділу про заходи безпеки.

Для всіх робіт з обслуговування та ремонту необхідна спеціальна підготовка. Ми гарантуємо доступність послуг із професійного ремонту та обслуговування. Якщо ваш дилер не є одночасно центром обслуговування, зверніться до нього по інформацію щодо найближчого центру обслуговування.

Графік технічного обслуговування



УВАГА: У разі нахилання виробу переконайтеся, що повітряний фільтр розташований зверху й не направлений у бік землі. Ризик пошкодження двигуна.

Інтервали технічного обслуговування вказані з урахуванням щоденного використання виробу. Інтервали змінюються для іншої частоти використання виробу.

Указівки щодо технічного обслуговування елементів, позначених зірочкою (*) див. у розділі *Механізми безпеки на пристрої на сторінці 357.*

| Технічне обслуговування | Щодня | Щомісяця | Щосезонно |
|---|-------|----------|-----------|
| Загальна перевірка | X | | |
| Перевірка рівня оливи | X | | |
| Заміна оливи (уперше через 5 годин експлуатації, далі – кожні 50 годин експлуатації) ¹⁹⁰ | | | X |
| Очищення виробу | X | | |
| Перевірка різального обладнання | X | | |
| Перевірка кожуха леза* | X | | |
| Перевірка ручки зупинення двигуна* | X | | |
| Перевірка глушника* | | X | |
| Перевірка свічки запалювання. У разі необхідності почистьте чи замініть свічку запалювання. | | | X |
| Перевірка повітряного фільтра | X | | |
| Почистьте повітряний фільтр ¹⁹¹ | | X | |
| Замініть повітряний фільтр | | | X |
| Перевірка паливної системи | | | X |
| Почистьте ребра охолодження на циліндрі. | | X | |
| Огляньте й відрегулюйте зчпний дріт (LC 140SP). | | | X |

¹⁹⁰ Якщо виріб працює за значного навантаження чи за високої температури навколишнього середовища, замінійте моторну оливу кожні 25 годин.

¹⁹¹ У разі експлуатації в умовах запиленості чи за наявності викидів у повітрі виконуйте чищення частіше. Якщо повітряний фільтр дуже брудний, замініть його.

Процедура загальної перевірки

- Переконайтеся, що всі гайки й гвинти на виробі затягнуто відповідним чином.

Чищення зовнішніх поверхонь виробу

- Прибирайте листя, траву та бруд за допомогою щітки.
- Переконайтеся, що всмоктувач повітря зверху двигуна не заблокований.
- Для чищення виробу не використовуйте миючий апарат високого тиску.
- У разі використання води для чищення виробу, забороняється лити її безпосередньо на двигун.

Чищення внутрішніх поверхонь кожуха леза

1. Вилийте паливо з паливного бака.
2. Нахиліть виріб. Упевніться, що свічка запалювання спрямована вгору.



УВАГА: Якщо покласти виріб повітряним фільтром донизу, може виникнути ризик пошкодження двигуна.

3. Промийте водою зі шлангу внутрішню поверхню кожуха леза.

Перевірка різального обладнання



ПОПЕРЕДЖЕННЯ: Зніміть провід запалювання зі свічки запалювання, щоб попередити ненавмисний запуск.



ПОПЕРЕДЖЕННЯ: Під час технічного обслуговування різального обладнання використовуйте захисні рукавиці. Лезо дуже гостре, ним можна легко порізатися.

1. Перевірте різальне обладнання на наявність пошкоджень або тріщин. Обов'язково замінійте пошкоджене різальне обладнання.
2. Огляньте лезо на предмет пошкоджень або затуплення.

Зверніть увагу: Після гостріння леза необхідно відрегулювати його баланс. Гостріння, заміну та балансування леза необхідно проводити в центрі обслуговування. У разі потрапляння на перешкоду, що призвела до зупинки двигуна, замініть пошкоджене лезо. Спеціалісти центру обслуговування мають провести оцінювання стану леза та надати консультацію щодо необхідності його гостріння або заміни.

Заміна ножа

1. Зафіксуйте лезо дерев'яним брусом. (Мал. 36)
2. Вийміть болт леза.
3. Зніміть лезо.
4. Перевірте опору леза та болт на предмет пошкоджень.
5. Перевірте вал леза на предмет згинань.
6. Під час встановлення нового леза направляйте розміщені під кутом кінці в напрямку кожуха леза. (Мал. 37)
7. Переконайтеся, що лезо знаходиться на одному рівні з центром вала двигуна.
8. Зафіксуйте лезо дерев'яним брусом. Встановіть пружинну шайбу та затягніть болт і шайбу з моментом 45–60 Н·м. (Мал. 38)
9. Прокрутіть лезо рукою та переконайтеся, що воно вільно обертається.



ПОПЕРЕДЖЕННЯ: Використовуйте міцні робочі рукавиці. Лезо дуже гостре, ним можна легко порізатися.

10. Запустіть виріб, щоб перевірити роботу леза. У разі неправильного встановлення леза у виробі буде спостерігатися вібрація або результат скошування буде незадовільний.

Перевірка рівня оливи



УВАГА: Занадто низький рівень оливи може спричинити пошкодження двигуна. Перед запуском виробу необхідно перевіряти рівень оливи.

1. Встановіть виріб на рівній поверхні.
2. Зніміть кришку бака для оливи за допомогою під'єданого вимірювального стрижня.
3. Усуньте оливу з вимірювального стрижня.
4. Щоб дізнатися точний рівень оливи, повністю вставте вимірювальний стрижень у бак для оливи.
5. Вийміть вимірювальний стрижень.
6. Перевірте рівень оливи на вимірювальному стрижні.
7. У разі, якщо рівень оливи низький, залийте моторну оливу та перевірте рівень ще раз.

Зверніть увагу: Для запобігання проливання скористайтеся лійкою.

Заміна моторної оливи



ПОПЕРЕДЖЕННЯ: Відразу після зупинки двигуна моторна олива є дуже гарячою. Дайте двигуну охолонути, перш ніж зливати моторну оливу. Якщо моторна

олива потрапити на шкіру, промийте цю ділянку водою з милом.

(Мал. 39)

Зверніть увагу: Моторна олива для 4-тактних двигунів. Використовуйте мастило з діапазоном в'язкості, який підходить для застосування за поточної температури навколишнього середовища.

1. Запустіть виріб та дочекайтеся, доки запаси палива буде вичерпано.
2. Витягніть провід запалювання зі свічки запалювання.
3. Зніміть кришку бака для оливи.
4. Злийте моторну оливу з бака для оливи й насоса оливи (аксесуар).
5. Залийте свіжу моторну оливу рекомендованого в *Технічні характеристики на сторінці 364* типу.
6. Перевірте рівень оливи. Див. *Перевірка рівня оливи на сторінці 361*.

Очищення поролонового фільтра

1. Зніміть кришку повітряного фільтра та витягніть поролоновий фільтр.
2. Промийте поролоновий фільтр за допомогою мила та води.
3. Промийте поролоновий фільтр начисто водою.
4. Видавіть воду з фільтра та дайте йому просохнути.



УВАГА: Не використовуйте стиснене повітря. Воно може пошкодити поролоновий фільтр.

5. Змастіть поролоновий фільтр моторною оливою.
6. Промокніть поролоновий фільтр чистою тканиною, щоб прибрати непотрібну оливу.
7. Встановіть на місце повітряний фільтр. Переконайтеся, що повітряний фільтр щільно сів на тримач фільтра.
8. Встановіть на місце кришку повітряного фільтра.

Перевірка свічки запалювання



УВАГА: Завжди користуйтеся рекомендованими свічками запалення. Неправильний тип свічки запалювання може призвести до пошкодження виробу.

- У разі, якщо двигун втрачає потужність, його важко запустити або він погано працює на холостому ходу, необхідно перевірити свічку запалювання.
- Щоб зменшити ризик потрапляння зайвих предметів на електроди свічки запалювання, дотримуйтеся таких інструкцій:
 - a) переконайтеся, що швидкість холостого ходу встановлено правильно;
 - b) переконайтеся в правильності змішування паливної суміші;
 - c) переконайтеся, що повітряний фільтр чистий.
- Якщо свічка запалювання забруднена, її слід очистити й переконатися в тому, що між електродами встановлено правильний проміжок (див. *Технічні характеристики на сторінці 364*). (Мал. 40)
- За необхідності замініть свічку запалювання.

Перевірка паливної системи

- Перевірте кришку паливного бака та її ущільнювач на предмет пошкоджень.
- Перевірте шланг подачі пального на предмет протікань. У разі пошкодження шланга подачі пального замініть його в центрі обслуговування.

Регулювання дроту зчеплення (LC 140SP)

У вказаних далі ситуаціях необхідно зменшити довжину дроту зчеплення.

- Привід коліс не вмикається, коли ви тягнете привідну скобу або важіль регулятора швидкості.
- Виріб рухається повільно, коли привід коліс увімкнено.

У вказаних далі ситуаціях необхідно збільшити довжину дроту зчеплення.

- Виріб рухається повільно, коли привід коліс не увімкнено.
- Налаштування дроту зчеплення.
 - a) Щоб зменшити довжину дроту зчеплення, поверніть регулювальний гвинт проти годинникової стрілки.
 - b) Щоб збільшити довжину дроту зчеплення, поверніть регулювальний гвинт за годинниковою стрілкою. (Мал. 41)

Якщо після налаштування виріб продовжує пересуватися незадовільно, зверніться до дилера з обслуговування

Усунення несправностей двигуна

| Несправність | Можлива причина | Рішення |
|---|---|---|
| Двигун не запускається. | Дріт запалювання під'єднано неправильно. | Під'єднайте дріт запалювання до свічки запалювання. |
| | Паливний бак порожній. | Залийте до паливного бака паливо належного типу. |
| | Паливо занадто старе. | Спорожніть паливний бак і карбюратор. Заповніть їх бензином. |
| | Бруд у карбюраторі або паливній лінії. | Прочистьте карбюратор і / або паливопровід. |
| | Несправна свічка запалювання. | Відрегулюйте проміжок між електродами, прочистьте чи замініть свічку запалювання. |
| | Паливо на свічці запалювання. | Чищення свічки запалювання. |
| Двигун не зупиняється. | Механізм зупинки зламаний. | Від'єднайте дріт запалювання від свічки запалювання. Віддайте виріб у авторизований центр обслуговування для ремонту. |
| Двигун працює не плавно. | Дріт запалювання під'єднано неправильно. | Під'єднайте дріт запалювання до свічки запалювання. |
| | У паливопроводі накопичився бруд, або пальне зіпсувалося. | Прочистьте паливопровід. Заповніть паливний бак новим пальним належного типу. |
| | Кришка паливного бака забилася. | Прочистьте кришку паливного бака. |
| | У паливній системі перебуває вода чи бруд. | Спорожніть паливний бак. Заповніть паливний бак новим пальним належного типу. |
| | Повітряний фільтр брудний. | Почистьте повітряний фільтр. |
| | Необхідно відрегулювати карбюратор. | Віддайте виріб у авторизований центр обслуговування для регулювання карбюратора. |
| Двигун перегрівається. | Занизький рівень моторної оливи. | Заправте двигун оливою. |
| | Недостатній потік повітря. | Прочистьте повітряний фільтр і корпус повітряного фільтра. |
| | Необхідно відрегулювати карбюратор. | Віддайте виріб у авторизований центр обслуговування для регулювання карбюратора. |
| На високій швидкості у двигуна починаються перебої із запалюванням. | Проміжок між електродами у свічці запалювання замалий. | Налаштуйте проміжок між електродами. |

| Несправність | Можлива причина | Рішення |
|--|---|---|
| Незвичні шуми двигуна під час звичайного навантаження. | Неправильний тип бензину. | Спорожніть паливний бак і карбюратор. Заповніть їх бензином. Див. <i>Заправлення паливом на сторінці 359</i> . Якщо проблему не вдалося усунути, зверніться до місцевого дилера з обслуговування. |
| На холостому ходу двигун працює не плавно. | Свічка запалювання забруднилася чи зламалася, або проміжок між електродами занадто великий. | Відрегулюйте проміжок чи замініть свічку запалювання. |
| | Необхідно відрегулювати карбюратор. | Відрегулюйте карбюратор. |
| | Повітряний фільтр брудний. | Почистьте повітряний фільтр. |

Транспортування, зберігання й утилізація

Транспортування та зберігання

- У разі транспортування та зберігання виробу та пального необхідно переконатися у відсутності протікань та випарів. Іскри або відкритий вогонь, наприклад, від електричних пристроїв, можуть спричинити пожежу.
- Для зберігання та транспортування палива слід використовувати лише сертифіковані резервуари.
- Спорожніть паливний бак у разі, якщо виріб зберігатиметься протягом тривалого часу. Утилізуйте паливо у відповідних місцях для утилізації.
- Під час транспортування закріплюйте виріб безпечним чином, щоб уникнути пошкоджень та нещасних випадків.
- Зберігайте виріб у закритому приміщенні, куди не зможуть отримати доступ діти та особи без належної підготовки.

- Зберігайте виріб у сухому місці за температури нижче 0 градусів.

Утилізація

- Виконуйте місцеві вимоги та відповідні норми і правила щодо утилізації.
- Утилізуйте всі хімічні речовини на кшталт моторної оливи або палива в центрі обслуговування або у відповідних місцях для утилізації.
- Якщо виріб більше не використовується, відправте його дилеру Husqvarna або утилізуйте у відповідному місці для утилізації.

Технічні характеристики

Технічні характеристики

| | LC 140P | LC 140SP |
|----------------------|---|---|
| Двигун | | |
| Бренд | Husqvarna | Husqvarna |
| Назва моделі двигуна | HS 123A | HS 123A |
| Тип двигуна | Одноциліндровий, 4-тактний, примусове повітряне охолодження, клапан розташований зверху | Одноциліндровий, 4-тактний, примусове повітряне охолодження, клапан розташований зверху |

| | LC 140P | LC 140SP |
|---|-----------------------------|-----------------------------|
| Об'єм, см ³ | 123 | 123 |
| Частота обертання, об./хв | 3000 | 3000 |
| Номінальна потужність двигуна, кВт ¹⁹² | 1,95 | 1,95 |
| Система запалювання | | |
| Свічка запалювання | Husqvarna HQT-7 | Husqvarna HQT-7 |
| Проміжок між електродами, мм | 0,7–0,8 | 0,7–0,8 |
| Паливна система й система змащування | | |
| Тип змащування двигуна | Бризкання | Бризкання |
| Ємність паливного бака, л | 0,9 | 0,9 |
| Ємність бака для оливи, л | 0,5 | 0,5 |
| Моторна олива ¹⁹³ | Husqvarna SAE 30 | Husqvarna SAE 30 |
| Маса | | |
| Маса з порожніми баками, кг | 25,2 | 26,8 |
| Випромінювання шуму¹⁹⁴ | | |
| Вимірний рівень звукової потужності, дБ (А) | 93 | 93 |
| Рівень звукової потужності, гарантований, L _{WA} , дБ(А) | 95 | 95 |
| Рівні звуку¹⁹⁵ | | |
| Рівень звукового тиску у вусі оператора, дБ(А) | 81 | 81 |
| Рівні вібрації¹⁹⁶ | | |
| Рівень вібрації в рукоятці, м/с ² | 5,6 | 7,6 |
| Різальне обладнання | | |
| Висота зрізання, мм | 25–75 | 25–75 |
| Ширина зрізання, мм | 400 | 400 |
| Система скошування | Збирання / викидання ззаду | Збирання / викидання ззаду |
| Стандартні леза | Система збирання 5873863-10 | Система збирання 5873863-10 |

¹⁹² Указана номінальна потужність двигуна є середньою кінцевою потужністю (за вказаної частоти в об/хв) типового серійного двигуна для цієї моделі, вимірююю за стандартом SAE J1349/ISO1585. Потужність серійних двигунів може відрізнятися від цього значення. Фактична вихідна потужність двигуна, встановленого у виробі, залежить від робочої швидкості, умов навколишнього середовища та інших факторів.

¹⁹³ У разі використання оливи SAE-30 за температури нижче +5 °C існує ризик недостатнього змащування двигуна. Це може призвести до пошкодження двигуна. Див. *Заміна моторної оливи на сторінці 361* для отримання відомостей щодо оливи для низьких температур.

¹⁹⁴ Випромінювання шуму в середовище, виміряне як звукова потужність (L_{WA}), відповідає директиві ЄС 2000/14/ЄС.

¹⁹⁵ Заявлені дані про рівень шумового тиску мають стандартну статистичну розбіжність (стандартне відхилення) в 1,2 дБ(А).

¹⁹⁶ Указані дані щодо рівня вібрації мають стандартну статистичну розбіжність (стандартне відхилення), що становить 0,2 м/с².

| | LC 140P | LC 140SP |
|----------------------------------|---------|----------|
| Ємність травозбірника, літрів | 50 | 50 |
| Привод | | |
| Швидкість самохідного руху, км/ч | – | 4 |

Декларація відповідності ЄС

Декларація відповідності ЄС

Ми, **Husqvarna AB**, SE-561 82 місто Хускварна, Швеція, телефон: +46-36-146500, заявляємо, що **газонокосарки Husqvarna LC 140P, LC 140SP** із серійними номерами від 2020 року й наступні, відповідають вимогам ДИРЕКТИВИ РАДИ ЄС:

- від 8 червня 2011 р. «Про обмеження використання деяких небезпечних речовин» **2011/65/EU**
- від 17 травня 2006 р. «стосовно механічного обладнання» **2006/42/EC**
- від 26 лютого 2014 р. «Про електромагнітну сумісність» **2014/30/EU**
- від 8 травня 2000 р. «Про випромінювання шуму до навколишнього середовища» **2000/14/EC**

Відомості стосовно шумовипромінювання див. у розділі «Технічні дані».

Застосовано такі стандарти:

EN ISO 5395-1:2013, EN ISO 5395-1:2013/A1, EN ISO 5395-2:2013, EN ISO 5395-2:2013/A1:2016, EN ISO 5395-2:2013/A2:2017, EN ISO 14982:2009

Якщо інше не зазначено, маютьесь на увазі останні опубліковані версії вищенаведених стандартів.

Уповноважений орган: **0036, TÜV SÜD Industrie Service GmbH, Westendstrasse 199, 80686 München, Germany** провів процедуру оцінки відповідності згідно з Додатком VI Директиви 2000/14/EC.

Husqvarna, 2020-10-20



Клаес Лосдал (Claes Losdal), директор із питань розвитку / продукції для садівництва (уповноважений представник компанії Husqvarna AB, що відповідає за технічну документацію)

内容

| | | | |
|----------|-----|-----------------|-----|
| 引言..... | 368 | 引擎故障排除..... | 374 |
| 安全性..... | 369 | 运输、存放和废弃处理..... | 375 |
| 安装..... | 371 | 技术参数..... | 376 |
| 操作..... | 371 | 欧盟一致性声明..... | 378 |
| 维护..... | 372 | | |

引言

产品说明

本产品是一款步行控制式草坪机。草料收集在集草袋中。拆下集草袋，以便从后方卸草。

产品概览

(图 1)

1. 手柄/手柄杆
2. 驱动杆 (LC 140SP)
3. 启动绳把手
4. 集草袋
5. 燃油箱
6. 空气滤清器
7. 火花塞
8. 切割防护盖
9. 消音器
10. 机油箱盖
11. 修剪高度杆
12. 后盖
13. 引擎制动手柄
14. 符号
15. 下手柄组件
16. 下手柄
17. 说明书
18. 油漏斗

本产品上的符号

- (图 2) 警告！请多加小心，并正确使用本产品。这可能会对操作员或其他人造成严重伤害或死亡。
- (图 3) 请仔细阅读说明书，确保在充分理解各项说明之后再使用本产品。
- (图 4) 注意抛掷物和反弹物。
- (图 5) 确保人员和动物与工作区域保持安全距离。
- (图 6) 警告：使手和脚远离正在旋转的刀片。
- (图 7) 警告：使手和脚远离回转部件。
- (图 8) 执行维修或维护作业之前，务必将引擎熄火并拆下点火线。

预期用途

使用产品修剪草坪。切勿将产品用于其他任务。

(图 9) 本产品符合适用的 EC 指令的要求。

(图 10) 在环境中的噪音排放符合欧盟指令。本产品的噪音排放在“技术资料”一章和产品标签上有详细说明。

(图 11) 失火危险。

(图 12) 切勿吸入废气浓烟。引擎排出的废气中含有一氧化碳，这是一种极危险的无味有毒气体。切勿在室内或密闭空间中启动引擎。

(图 13) 高温表面。

(图 14) 在启动产品之前，给引擎加注机油。

注意：产品上的其他符号/标识对应于某些商用领域的认证要求。

欧五排放



警告：对发动机进行篡改将使本产品的 EU 型式检验失效。

产品责任

如产品责任法律中所引用的，在以下情况下，我们对我们的产品所导致的损坏不承担责任：

- 未正确修理产品。
 - 使用并非来自制造商或者未获得制造商批准的零部件修理产品。
 - 产品具有并非来自制造商或者未获得制造商批准的附件。
 - 未在获得批准的服务中心修理产品，或者并非由获得批准的机构修理产品。
-

安全性

安全定义

本手册使用了“警告”、“小心”和“注意”来指出特别重要的内容。



警告：当不遵守手册中的说明可能会给操作员或周围人员带来伤害或死亡风险时，会使用此标志。



小心：当不遵守手册中的说明可能会对产品、其他材料或附近区域造成损坏时，会使用此标志。

注意：用于提供特定状况下所需的更多信息。

一般安全须知



警告：请在使用本产品前阅读下面的警告说明。

- 如果使用不当，或者如果您不小心，则本产品非常危险。如果未遵守一般安全须知，可能会导致伤害或死亡。
- 本产品在生产期间会产生电磁场。电磁场在某些情况下会干扰有源或无源医疗植入体。为了减少严重或致命性伤害风险，我们建议使用医疗植入体的人员在操作本产品之前先咨询其医生及医疗植入体制造商。
- 请务必多加小心，并运用常识来判断。如果您不确定在特殊情况下如何操作本产品，请停止操作并与您的 Husqvarna 经销商联系。
- 切记，操作员将对涉及他人或其财产的事故负责。
- 请保持产品清洁。确保您可以清楚地阅读标记和标签。
- 务必确保操作员已阅读并理解说明书的内容，否则不得使用本产品。
- 切勿让儿童操作本产品。
- 请让儿童远离工作区域。成人监督人必须始终在场。
- 切勿让不熟悉使用说明书的人员操作产品。
- 若使用产品的人员身体能力或心智能力降低，务必对其进行监督。成人监督人必须始终在场。
- 当您感到疲倦、生病或受到酒精、麻药或药物的影响时，请勿使用本产品。这些因素会对您的视觉、警惕性、协调能力或判断力产生不良影响。
- 如果本产品有缺陷，切勿使用。
- 如果本产品可能被他人改动过，请勿再进行改动或使用。
- 不要更改引擎速度控制的设置。

工作区安全



警告：请在使用本产品前阅读下面的警告说明。

- 在使用本产品之前，请清除作业区域中的树枝、枝桠和石头等物体。
- 这些物体碰撞到切割设备会被弹出，导致人员受伤和物体损坏。确保附近人员和动物与本产品保持安全距离。
- 切勿在雾天、雨天、强风、严寒和闪电等恶劣天气下使用本产品。在恶劣天气下或潮湿地点使用本产品容易令人感到疲倦。恶劣天气会导致危险的情况，如湿滑的路面。
- 留意可能妨碍本产品安全运行的人员、物体和情况。
- 留意如树根、石头、枝桠、坑和沟渠等障碍。茂盛的草会隐藏障碍物。
- 在斜坡上割草可能非常危险。不要在坡度超过 15° 的地面上使用本产品。
- 面对斜坡操作本产品。切勿上下移动。
- 在接近隐藏的和物体时请小心谨慎，以免阻碍视线。

作业安全



警告：请在使用本产品前阅读下面的警告说明。

- 本产品仅用于切割草坪。不允许用于其他任务。
- 使用个人防护装备。请参阅 *个人防护装备* 在第 370 页上。
- 确保您知道在紧急情况下如何快速让引擎停止工作。
- 切勿在封闭空间或易燃物品附近启动引擎。引擎排出的废气浓烟温度很高，并可能带有火花，能引发火灾。
- 除非已正确连接刀片和所有盖板，否则请勿操作本产品。未正确连接的刀片可能松动，导致人身伤害。
- 确保刀片不会碰到石头和树根等物体。这会损坏刀片，并折弯引擎轴。一旦引擎轴折弯，就会导致严重振动，同时刀片松动风险会变得极高。
- 如果刀片碰撞到任何异物或者发生振动，请立即关闭本产品。将点火线从火花塞上断开。检查本产品是否损坏。维修损坏的地方或让授权的保养厂执行维修。
- 启动引擎时，切勿将引擎制动手柄永久连接至手柄。
- 将本产品放置在稳定、平坦的地面上，然后将其启动。确保刀片不会碰撞到地面或其他物体。
- 当您操作本产品时，请始终站在本产品的后面。
- 在操作本产品时使所有车轮接触地面，并将双手放在手柄上。手和脚远离正在旋转的刀片。
- 引擎启动后，切勿倾斜本产品。
- 向后拉动本产品时请小心谨慎。
- 切勿在引擎运行时吊装本产品。如果必须吊装本产品，务必先将引擎熄火，并将点火线从火花塞上断开。
- 在操作本产品时切勿倒退行走。
- 当您在没有草的区域移动时，例如在石砾、石头和沥青道路上移动时，应将引擎熄火。

- 切勿在引擎运行时和本产品一起跑着移动。操作本产品时始终保持步行。
- 在更改修剪高度之前，请先将引擎熄火。切勿在引擎运行时进行调整。
- 切勿在引擎运行时将本产品置于视线以外的地方。将引擎熄火，确保切割设备不转动。

操作安全须知

个人防护装备



警告： 请在使用本产品前阅读下面的警告说明。

- 个人防护装备不能完全避免受伤，但当意外发生时，可降低伤害程度。请经销商协助您选择正确的防护装备。
- 如果噪声级高于 85 dB，请使用听觉保护设备。
- 穿上结实耐磨防滑靴或防滑鞋。请勿穿凉鞋或赤脚。
- 请穿上厚实的长裤。
- 必要时戴上保护手套，例如在安装、检查或清洁切割设备时。

产品上的安全装置



警告： 请在使用本产品前阅读下面的警告说明。

- 切勿在安全装置有故障的情况下使用产品。
- 定期检查安全装置。如果安全装置有故障，请联系您的 Husqvarna 保养厂。

检查切割防护盖

切割防护盖可降低本产品产生的振动，并降低被刀片割伤的风险。

- 检查切割防护盖，确保没有损坏，如裂缝。

检查引擎制动手柄

引擎制动手柄可让引擎停止运行。当引擎制动手柄松开时，引擎会停止运行。

- 启动引擎，然后松开引擎制动手柄。如果引擎未能在 3 秒内停止运行，应请许可的 Husqvarna 保养厂调整引擎制动。(图 15)

消音器

消音器用于最大程度降低噪音并将引擎的废气浓烟电离离操作人员。

如果消音器缺失或有缺陷，请勿使用本产品。消音器损坏时噪音会增大，并且有导致起火的风险。



警告： 消音器在使用期间和之后以及当引擎以怠速运转时会变得很烫。务必当心附近的易燃材料和/或烟雾，以防引起火灾。

燃油安全须知



警告： 请在使用本产品前阅读下面的警告说明。

- 如果产品上沾染燃油或引擎机油，切勿启动产品。去除多余的燃油/机油，使产品保持干燥。
- 如果燃油溅到衣物上，请立即更换衣物。
- 切勿使身体沾染上燃油，否则可能会导致伤害。如果燃油溅到身上，必须使用肥皂和水洗净。
- 如果引擎发生泄漏，切勿启动产品。定期检查引擎是否有泄漏。
- 请小心处理燃油。燃油易燃，油烟具有爆炸性，并且可能导致伤害或死亡。
- 切勿吸入油烟，它可能导致伤害。确保充分通风。
- 切勿在燃油或引擎附近吸烟。
- 切勿在燃油或引擎附近放置高温物体。
- 切勿在引擎运转期间添加燃油。
- 确保重新加注燃油之前，引擎处于冷却状态。
- 重新加注燃油之前，缓缓打开燃油箱盖，并小心释放压力。
- 切勿在室内为引擎添加燃油。通风不充分情况下，可能由于窒息性气体或一氧化碳的原因而导致伤害或死亡。
- 完全拧紧燃油箱盖。如果燃油箱盖没有拧紧，则有失火的风险。
- 启动之前，将产品从加油位置移开至少 3 米 / 10 英尺。
- 请勿将燃油箱完全加满油。热量会使燃油膨胀。为燃油箱顶部保留一定的空间。

维护安全须知



警告： 请在使用本产品前阅读下面的警告说明。

- 引擎排出的废气中含有一氧化碳，这是一种极危险的无味有毒气体。切勿在室内或密闭空间中启动引擎。
- 在对本产品进行任何维护之前，务必先将引擎熄火，并将点火线从火花塞拆下。
- 维护切割设备时，请戴上保护手套。刀片非常锋利，很容易造成割伤。
- 未经制造商批准加装附件或改动产品可能导致严重的伤害或死亡。切勿改动本产品。始终使用获得制造商批准的零件。
- 如未正确和定期地进行维护，导致伤害的风险和损坏产品的风险将会增加。
- 只能进行此用户手册所述的维护工作。所有其他保养操作必须由许可的 Husqvarna 保养厂完成。
- 由许可的 Husqvarna 保养厂定期对本产品进行保养。
- 更换已经损坏、磨损或破损的零件。

安装

安装手柄

1. 将螺丝 (A) 穿过手柄 (B)、塑料垫片 (C) 和手柄支架 (D)。(图 16)
2. 完全拧紧螺母 (E)。
3. 将螺丝 (F) 穿过垫片 (G) 和手柄支架。
4. 完全拧紧旋钮 (H)。
5. 将手柄杆中的孔与下手柄中的孔对齐，然后安装螺丝、垫片和旋钮。完全上紧旋钮。(图 17)
6. 通过电缆夹将电缆固定到手柄上。(图 18)

注意： 确保电缆中的张力不会过高。如果手柄折叠到运输位置，则张力过高可能会导致电缆损坏。

7. 将电缆绕在手柄底部的挂钩上。(图 19)

调节手柄高度

1. 松开下部旋钮。(图 20)
2. 拆下左右两侧的旋钮、垫片和螺丝。
3. 手柄可以设定至 2 个不同的高度。将螺丝放入左右两侧的 2 个孔中的其中一个。(图 21)
4. 安装螺丝、垫片和旋钮。
5. 朝手柄方向向上转动旋钮，直至它们停止并且听到咔嚓声。完全上紧旋钮。(图 22)

将产品设置在运输位置

1. 拆下集草袋。
2. 松开上手柄上的旋钮，向下折叠手柄。(图 23)
3. 松开下部旋钮。
4. 将旋钮转至本产品的左侧和右侧凹槽的下端。(图 24)
5. 向前折叠手柄。(图 25)

将产品设置在工作位置

1. 提起手柄杆，直至下手柄锁定到工作位置。(图 26)
2. 朝手柄方向向上转动旋钮，直至它们停止并且听到咔嚓声。
3. 完全上紧旋钮。(图 27)
4. 提起手柄杆的顶部。
5. 完全上紧旋钮。(图 28)

安装集草袋

1. 将集草袋倒置，使顶部朝下放置。(图 29)
2. 用夹子固定集草袋框架。(图 30)
3. 抬起后盖。
4. 将集草袋上的挂钩连接到机架顶部边缘上。(图 31)
5. 将集草袋的下部放入卸草通道中。

操作

引言



警告： 在使用本产品之前，您必须阅读并理解安全章节。

Husqvarna Connect

Husqvarna Connect 是一款可在移动设备上免费使用的应用程序。Husqvarna Connect 应用程序可为您的 Husqvarna 产品提供扩展功能：

- 扩展产品信息。
- 关于帮助、产品零件和保养的信息。

开始使用 Husqvarna Connect

1. 将 Husqvarna Connect 应用程序下载至您的移动设备。
2. 在 Husqvarna Connect 应用程序中注册。
3. 执行 Husqvarna Connect 应用程序中的说明步骤以连接并注册产品。

操作产品之前

1. 请认真阅读本说明书，确保您充分理解各项说明。

2. 检查切割设备，确保其连接正确且调整得当。请参阅 *润滑切割设备* 在第 373 页上。
3. 加注燃油箱。请参阅 *添加燃油* 在第 371 页上。
4. 加注机油箱并检查机油油位。请参阅 *检查机油油位* 在第 373 页上。

添加燃油

如果可行，使用含低排放等级/烷基化燃油的汽油。如果没有含低排放等级/烷基化燃油的汽油，可使用优质无铅汽油或辛烷值不低于 91 的含铅汽油。



小心： 切勿使用辛烷值低于 91 RON 的汽油。这可能导致损坏产品。



小心： 每年或必要时更常更换燃油滤清器。您的 Husqvarna 经销商处提供有新燃油滤清器。



小心： 在加油之前，务必先关闭引擎。



小心：切勿使用加压起动车油。

1. 缓慢打开燃油箱盖以释放压力。
2. 用燃油罐慢慢加油。如果有燃油溅出，请用布擦拭，然后让剩余的燃油挥发掉。(图 32)
3. 将燃油箱盖四周清理干净。
4. 完全拧紧燃油箱盖。如果燃油箱盖没有拧紧，则有失火的风险。
5. 启动之前，将产品从加油位置移开至少 3 米 / 10 英尺。

设置修剪高度

1. 向后移动修剪高度调节杆，增加修剪高度。
2. 向前移动修剪高度调节杆，降低修剪高度。(图 33)



小心：切勿将修剪高度设置得太低。如果草坪表面不平，刀片可能会碰到地面。

启动产品

1. 确保将点火线连接至火花塞中。
2. 站在本产品后面。
3. 握住引擎制动手柄，使其紧靠手柄杆。(图 34)
4. 用右手握住启动绳把手。

5. 慢慢拉出启动绳，直到感觉到有阻力。

6. 用力拉启动绳，以启动引擎。



警告：切勿将启动器绳绕在手上。

使用车轮上的驱动装置

- 朝手柄杆方向推动驱动杆。(图 35)
- 松开驱动杆以脱离驱动装置，例如，当您靠近障碍物时。
- 在向后拉动产品之前，松开驱动装置，然后将产品向前推动约 10 cm。

关闭产品

- 要仅停止驱动装置，请松开驱动杆。
- 要将引擎熄火，请松开引擎制动手柄。

为获得良好的作业效果

- 务必使用锐利的刀片。钝刀片会产生不规则的结果，且草的切割表面会变黄。此外，锐利的刀片比钝刀片更加节能。
- 修剪高度不得超过草长的 $\frac{1}{3}$ 。从较高的修剪高度开始切割。检查结果，将修剪高度降低到合适的水平。如果草非常长，请缓慢前进，必要时切割 2 次。
- 每次的修剪方向不应相同，以防止草坪上出现条纹。

维护

引言



警告：进行维护之前，您必须阅读并理解安全须知章节。

要对本产品执行任何保养和维修工作，都需要经过特殊培训。我们承诺提供专业的维修和保养。如果您的经销商不是保养代理商，请联系该经销商以获取离您最近的保养代理商的信息。

维护时间表



小心：倾斜产品时，确保空气滤清器朝上，不要靠在地面上。存在损坏引擎的风险。

维护间隔在产品每天使用的情况下计算得出。如果产品并非每天使用，维护间隔会有所不同。

对于带有 * 标记的维护作业，请参阅 **产品上的安全装置** 在第 370 页上的说明。

| 维护 | 每天 | 每月 | 每个季节 |
|--|----|----|------|
| 执行一般性检查 | X | | |
| 检查机油油位 | X | | |
| 更换机油 (首次使用 5 小时后更换，之后每使用 50 小时更换一次) 197 | | | X |
| 清洁本产品 | X | | |
| 检查切割设备 | X | | |
| 检查切割防护盖* | X | | |

¹⁹⁷ 如果本产品在重载或高环境温度下操作，请每 25 小时更换一次发动机油。

| 维护 | 每天 | 每月 | 每个季节 |
|------------------------|----|----|------|
| 检查引擎制动手柄* | X | | |
| 检查消音器* | | X | |
| 检查火花塞。必要时请清洁或更换火花塞 | | | X |
| 检查空气滤清器 | X | | |
| 清洁空气滤清器 ¹⁹⁸ | | X | |
| 更换空气滤清器 | | | X |
| 检查燃油系统 | | | X |
| 清洁汽缸上的散热片 | | X | |
| 检查并调整离合器拉线 (LC 140SP) | | | X |

进行一般性检查

- 确保产品上的所有螺母和螺丝都已正确上紧。

清洁本产品的外部

- 用刷子清除树叶、草和污垢。
- 确保引擎顶部的进气口畅通无阻
- 不要使用高压清洗机清洁产品。
- 如果用水清洁本产品，切勿用水直接冲洗引擎。

清洁切割防护盖的内表面

1. 排空燃油箱。
2. 倾斜产品。确保火花塞朝上。



小心： 如果以空气滤清器朝下的方式放置本产品，可能导致引擎损坏。

3. 用水冲洗切割防护盖的内表面。

润滑切割设备



警告： 为防止意外启动，请将点火线从火花塞上拆下。



警告： 维护切割设备时，请戴上保护手套。刀片非常锋利，很容易造成割伤。

1. 检查切割设备是否有损坏或裂痕。务必更换损坏的切割设备。
2. 检查刀片，查看是否损坏或变钝。

注意： 每次磨利刀片后，必须对刀片进行平衡调整。让维修中心磨利、更换和平衡刀片。如果您撞到障碍物并导致本产品停止运行，请更换损坏的刀片。让维修中心评估刀片能否磨利还是必须更换。

更换刀片

1. 使用木块锁定刀片。(图 36)
2. 拆下刀片螺栓。
3. 拆下刀片。
4. 检查刀片支撑和刀片螺栓，查看是否有损坏。
5. 检查发动机轴，确保其未弯曲。
6. 安装新刀片时，请将刀片的倾斜端指向切割防护盖的方向。(图 37)
7. 确保刀片与发动机轴中心对准。
8. 使用木块锁定刀片。连接弹簧垫片，并用 45–60 Nm 扭矩拧紧螺丝和垫片。(图 38)
9. 用手拉住刀片旋转，确保刀片转动自如。



警告： 请佩戴耐磨手套。刀片非常锋利，很容易割到手。

10. 启动本产品以测试刀片。如果刀片未正确安装，则本产品中存在振动，或切割结果令人不满意。

检查机油油位



小心： 如果油位过低，可能导致引擎损坏。启动本产品之前，请先检查油位。

1. 将产品置于平坦地面上。
2. 拆下带有油尺的机油箱盖。
3. 清洁油尺上的机油。
4. 将油尺完全放入机油箱，以便获得正确的油位显示。
5. 拆下油尺。
6. 检查油尺上的油位。
7. 如果油位过低，加注发动机油后再次检查油位。

注意： 使用漏斗，以防止漏油。

¹⁹⁸ 在多尘环境或存在气载散落物的条件下使用时，请更频繁地进行清洁。如果空气滤清器非常脏，请予以更换。

更换引擎油



警告：引擎刚停止运行时，引擎油的温度会非常高。待引擎冷却后再排空发动机油。如果引擎油溅在皮肤上，请用肥皂和水清洗。

(图 39)

注意：使用四冲程发动机油。在环境温度下使用时，确保使用正确的粘度。

1. 操作产品，直至燃油箱无油。
2. 从火花塞上拆下点火线。
3. 拧下油箱盖。
4. 使用机油泵（附件）从机油箱排放发动机油。
5. 加注 *技术参数* 在第 376 页上中推荐的相应类型的新引擎油。
6. 检查油位。请参阅 *检查机油油位* 在第 373 页上。

清洁海绵塑料滤网

1. 拆下空气滤清器罩，然后拆下海绵塑料滤网。
2. 用肥皂和水清洁海绵塑料滤网。
3. 用清水冲洗海绵塑料滤网。
4. 晾干海绵塑料滤网，然后将其晾干。



小心：请勿使用压缩空气。这会导致海绵塑料滤网损坏。

5. 用引擎机油润滑海绵塑料滤网。
6. 将干净的布按在海绵塑料滤网上，吸附掉多余的油。
7. 装回空气滤清器。确保空气滤清器完全密封在空气滤清器支架上。
8. 装回空气滤清器罩。

检查火花塞



小心：务必使用建议的火花塞类型。火花塞类型不正确可能导致产品损坏。

- 如果引擎动力不足，请检查火花塞是否不容易启动或者怠速时是否运行不正确。
- 为降低在火花塞电极上出现多余物质的风险，请遵循这些说明：
 - a) 确保已正确调节怠速。
 - b) 确保混合燃油正确。
 - c) 确保空气滤清器清洁。
- 如果火花塞脏污，请进行清洁并确保电极间隙正确，请参阅 *技术参数* 在第 376 页上。(图 40)
- 必要时请更换火花塞。

检查燃油系统

- 检查燃油箱盖和燃油箱盖的密封，确保没有损坏。
- 检查油管，确保不漏油。如果油管损坏，请让保养厂进行更换。

调节离合器拉线 (LC 140SP)

对于以下情况，需要缩短离合器拉线的长度：

- 拉动驱动杆或速度控制杆时车轮的驱动装置无法接合。
- 车轮驱动装置接合时产品移动缓慢。

对于以下情况，需要增加离合器拉线的长度：

- 车轮驱动装置未接合时产品移动。
- 调节离合器拉线。
 - a) 要缩短离合器拉线的长度，请逆时针转动调节螺丝。
 - b) 要增加离合器拉线的长度，请顺时针转动调节螺丝。(图 41)

如果在调整后产品仍无法令人满意地行驶，请咨询保养代理商

引擎故障排除

| 问题 | 可能原因 | 解决方案 |
|--------|---------------|-------------------|
| 引擎不启动。 | 点火线未正确连接。 | 将点火线连接到火花塞。 |
| | 燃油箱无油。 | 向燃油箱中注入正确类型的燃油。 |
| | 燃油陈旧。 | 排空燃油箱和化油器。加入新的汽油。 |
| | 化油器或燃油管路中有污垢。 | 清洁化油器和/或燃油管路。 |
| | 火花塞有故障。 | 调整电极间隙，清洁或更换火花塞。 |
| | 火花塞上有燃油。 | 清洁火花塞。 |

| 问题 | 可能原因 | 解决方案 |
|-----------------|---------------------|--|
| 引擎不熄火。 | 停止机构有故障。 | 将点火线从火花塞上断开。让许可保养厂维修本产品。 |
| 引擎运行不平稳。 | 点火线未正确连接。 | 将点火线连接到火花塞。 |
| | 燃油管中有污垢或燃油已过期。 | 清洁燃油管路。向燃油箱中加注正确类型的新燃油。 |
| | 燃油箱盖内堵塞。 | 清洁燃油箱盖。 |
| | 燃油系统内有水或污垢。 | 排空燃油箱。向燃油箱中加注正确类型的新燃油。 |
| | 空气滤清器不干净。 | 清洁空气滤清器。 |
| | 必须调整化油器。 | 请保养代理商调整化油器。 |
| 引擎过热。 | 引擎机油的油位过低。 | 注入引擎机油。 |
| | 气流不足。 | 清洁空气滤清器和空气滤清器外壳。 |
| | 必须调整化油器。 | 请保养代理商调整化油器。 |
| 当引擎高速运转时，引擎失火。 | 火花塞中的电极间隙过小。 | 调整电极间隙。 |
| 正常负载期间引擎发出异常噪音。 | 汽油类型不正确。 | 排空燃油箱和化油器。加入新的汽油。请参阅添加燃油在第 371 页上。如果问题仍然存在，请联系您当地的保养代理商。 |
| 引擎在怠速下工作不平稳。 | 火花塞不干净、发生故障或电极间隙过宽。 | 调整电极间隙或更换火花塞。 |
| | 必须调整化油器。 | 调整化油器。 |
| | 空气滤清器不干净。 | 清洁空气滤清器。 |

运输、存放和废弃处理

运输及存放

- 存放和运输产品和燃油时，确保不存在泄漏或烟雾。火花或明火（例如来自电气设备或锅炉等）可能引发火灾。
- 务必使用获得批准的容器存放和运输燃油。
- 将产品长期存放前，先清空燃油箱。在适当的处置地点处理燃油
- 在运输过程中安全地固定产品，以防止损坏和发生事故。
- 将产品放在上锁的区域，以防止儿童或他人擅自触碰。

- 将本产品存放在干燥、防冻的区域。

废弃处理

- 遵守当地的回收要求和适用的法规。
- 在服务中心或适当的处置地点处理所有化学品，如机油或燃油。
- 当产品不再可用时，将其发送给 Husqvarna 经销商或送至回收点处理。

技术参数

技术参数

| | LC 140P | LC 140SP |
|--------------------------------------|-----------------------------|-----------------------------|
| 发动机 | | |
| 品牌 | Husqvarna | Husqvarna |
| 发动机型号名称 | HS 123A | HS 123A |
| 引擎类型 | 单汽缸, 4 冲程, 强制风冷, 顶置气门 (OHV) | 单汽缸, 4 冲程, 强制风冷, 顶置气门 (OHV) |
| 排量, cm ³ | 123 | 123 |
| 速度, rpm | 3000 | 3000 |
| 标称引擎输出, kW ¹⁹⁹ | 1.95 | 1.95 |
| 点火系统 | | |
| 火花塞 | Husqvarna HQT-7 | Husqvarna HQT-7 |
| 电极间隙 (mm) | 0.7-0.8 | 0.7-0.8 |
| 燃油和润滑系统 | | |
| 引擎润滑类型 | 飞溅 | 飞溅 |
| 燃油箱容量 (L) | 0.9 | 0.9 |
| 机油箱容量 (L) | 0.5 | 0.5 |
| 引擎油 ²⁰⁰ | Husqvarna SAE 30 | Husqvarna SAE 30 |
| 重量 | | |
| (油箱均排空时), kg | 25.2 | 26.8 |
| 噪音排放²⁰¹ | | |
| 声功率级 (测量值), dB (A) | 93 | 93 |
| 声功率级 (保证值), L _{WA} dB (A) | 95 | 95 |
| 声级²⁰² | | |
| 操作员耳旁的声压级, dB (A) | 81 | 81 |
| 振动水平²⁰³ | | |
| 手柄杆振动, m/s ² | 5.6 | 7.6 |

¹⁹⁹ 标注的引擎功率额定值为引擎型号对应的典型生产引擎在指定转速下的平均净输出功率, 根据 SAE 标准 J1349/ISO1585 测量。批量生产发动机的该数值可能有所不同。最终产品中所安装发动机的实际功率输出将取决于运行速度、环境条件及其他值。

²⁰⁰ 如果在低于 +5 °C 的温度下使用 SAE-30 机油, 存在无法充分润滑发动机的风险。这会损坏发动机。请参阅 [更换引擎油](#) 在第 374 页上以了解适合在低温下使用的正确机油。

²⁰¹ 环境噪音排放以声功率 (L_{WA}) 量测, 符合 EC 指导文件 2000/14/EC 的要求。

²⁰² 噪音音压级的上报数据中具有一个 1.2 dB(A) 的典型统计离差 (标准偏差)。

²⁰³ 等效振动水平的报告数据中具有 0.2 m/s² 的典型统计离差 (标准偏差)。

| | LC 140P | LC 140SP |
|--------------|-----------------------|-----------------------|
| 切割设备 | | |
| 修剪高度, mm | 25-75 | 25-75 |
| 割幅, mm | 400 | 400 |
| 割草系统 | Collection / 后部排草 | Collection / 后部排草 |
| 刀片 - 标准 | Collection 5873863-10 | Collection 5873863-10 |
| 集草袋容量, 升 | 50 | 50 |
| 驱动 | | |
| 自行移动速度, km/h | - | 4 |

欧盟一致性声明

欧盟一致性声明

Husqvarna AB, SE-561 82 Huskvarna, Sweden, 电话 :
+46-36-146500 , 声明自 2020 年和以后的**草坪机**

Husqvarna LC 140P, LC 140SP 符合理事会指令的要求 :

- 2011 年 6 月 8 日“关于限制使用某些有害物质”的指令
2011/65/EU
- 2006 年 5 月 17 日“关于机械”的指令 **2006/42/EC**。
- 2014 年 2 月 26 日“关于电磁兼容性”的指令
2014/30/EU
- 2000 年 5 月 8 日“关于环境噪音释放”的指令
2000/14/EC

关于噪音释放信息，请参阅技术资料。

适用标准如下：

EN ISO 5395-1:2013, EN ISO 5395-1:2013/A1, EN ISO 5395-2:2013, EN ISO 5395-2:2013/A1:2016, EN ISO 5395-2:2013/A2:2017, EN ISO 14982:2009

如果未做其他说明，那么以上所列各项标准皆为最新发布
的版本。

认证机构：**0036, TÜV SÜD Industrie Service GmbH, Westendstrasse 199, 80686 München, Germany** 已按照
2000/14/EC 指令附录 VI 执行了合规性评估。

Huskvarna, 2020-10-20



Claes Losdal, 开发经理/园林产品 (Husqvarna AB 授权
代表, 负责技术文档编制事务)

Original instructions
Оригинални инструкции
Původní pokyny
Originale instruktioner
Originalanweisungen
Αρχικές οδηγίες
Instrucciones originales
Originaaljuhend
Alkuperäiset ohjeet
Instructions d'origine
Originalne upute
Eredeti útmutatás
Istruzioni originali
取扱説明書原本
Originalios instrukcijos

Lietošanas pamācība
Originele instructies
Originale instruksjoner
Oryginalne instrukcje
Instruções originais
Instruċijuni iniġjale
Оригинальные инструкции
Põvodné pokyny
Izvirna navodila
Originalna uputstva
Bruksanvisning i original
Orijinal talimatlar
Оригинальні інструкції
原始说明

1142538-38



2020-10-28