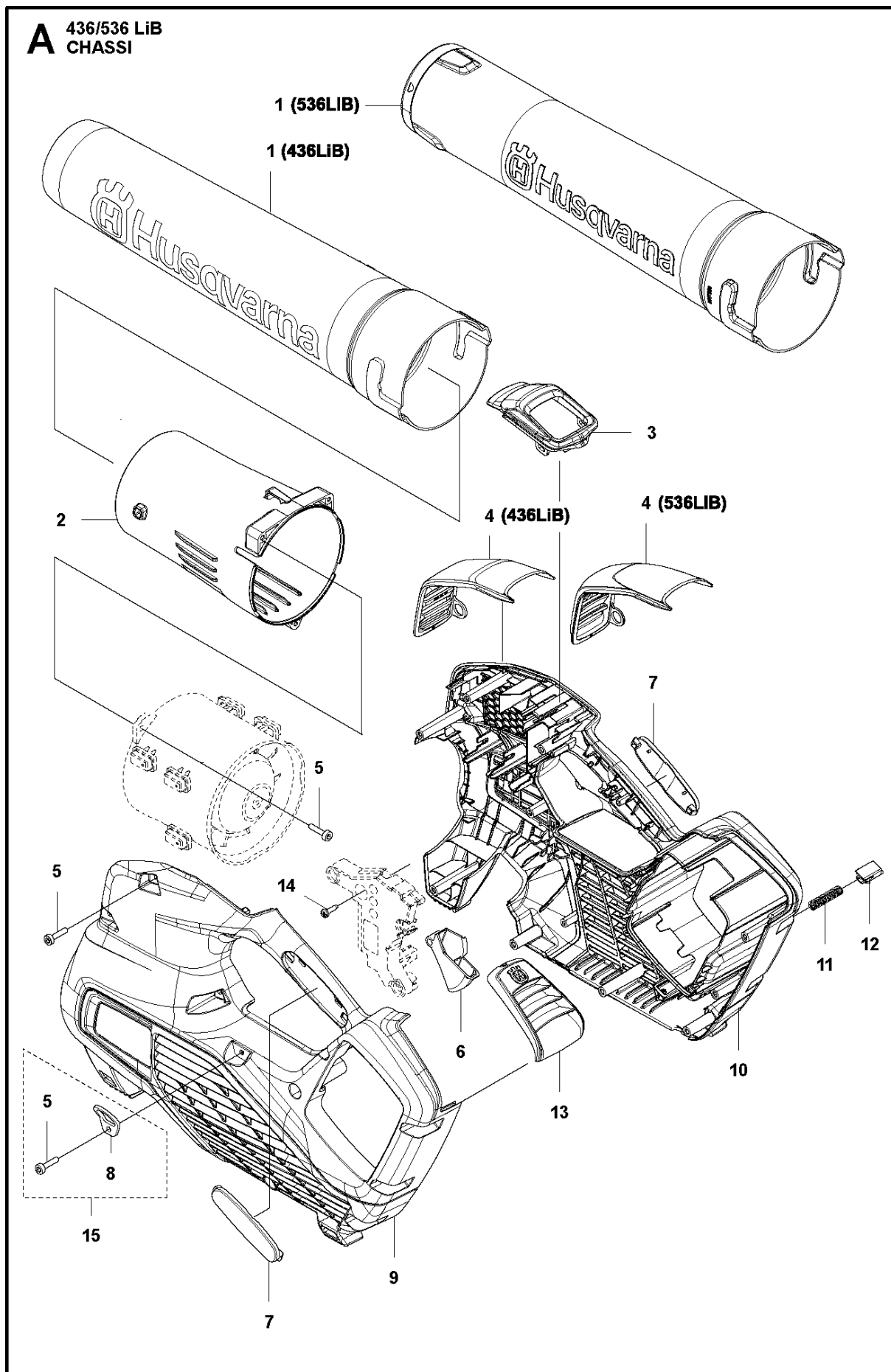




SPARE PARTS LIST

BLOWERS

436LiB from s/n 20180100002



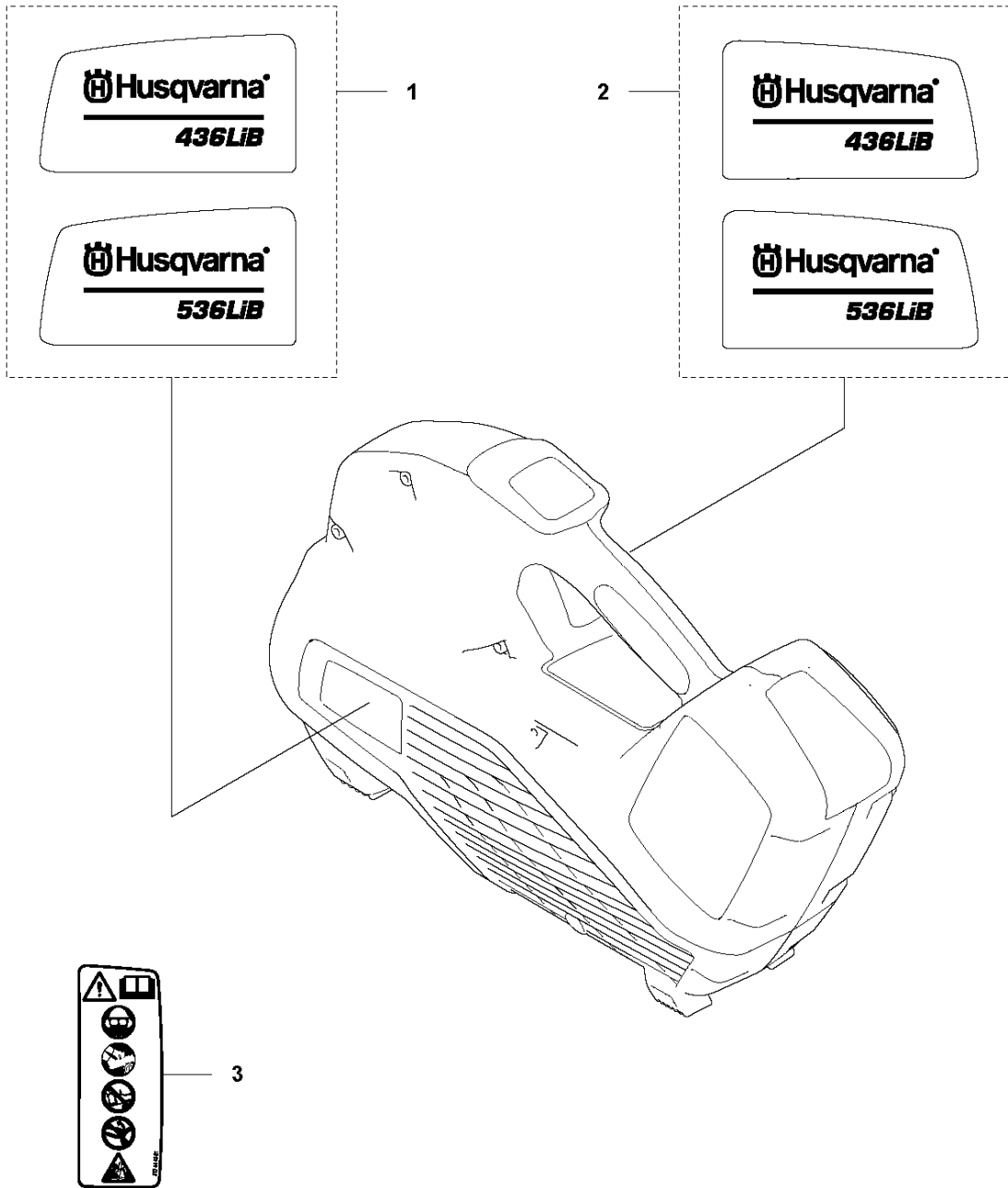
TUBE

436LiB

from s/n 20180100002

Ref	Part No	Description	Remark	QTY	KIT
1	586 10 63-02	TUBE ASSY	536LiB (Long)	1	
1	582 59 96-01	NOZZLE	436LiB (Long)	1	
2	582 50 16-01	TUBE		1	
3	584 21 37-01	FRAME		1	
4	584 91 47-01	COVER	536LiB	1	
4	584 91 43-01	COVER	436LiB	1	
5	579 21 19-01	SCREW IHSCT	536LiB	16	15
5	579 21 19-01	SCREW IHSCT	436LiB	15	15
6	579 56 41-02	THROTTLE CONTROL		1	
7	544 04 20-03	HANDLE INSERT		2	
8	586 51 42-01	EYELET		1	15
9	584 15 74-02	HOUSING		1	
10	584 15 73-02	HOUSING		1	
11	585 48 00-01	SPRING		1	
12	577 99 66-01	PUSH BUTTON		1	
13	576 90 12-01	COVER		1	
14	503 21 28-13	SCREW CCRPANT		1	
15	588 00 97-01	KIT		1	

B 436/536 LiB
DECALS

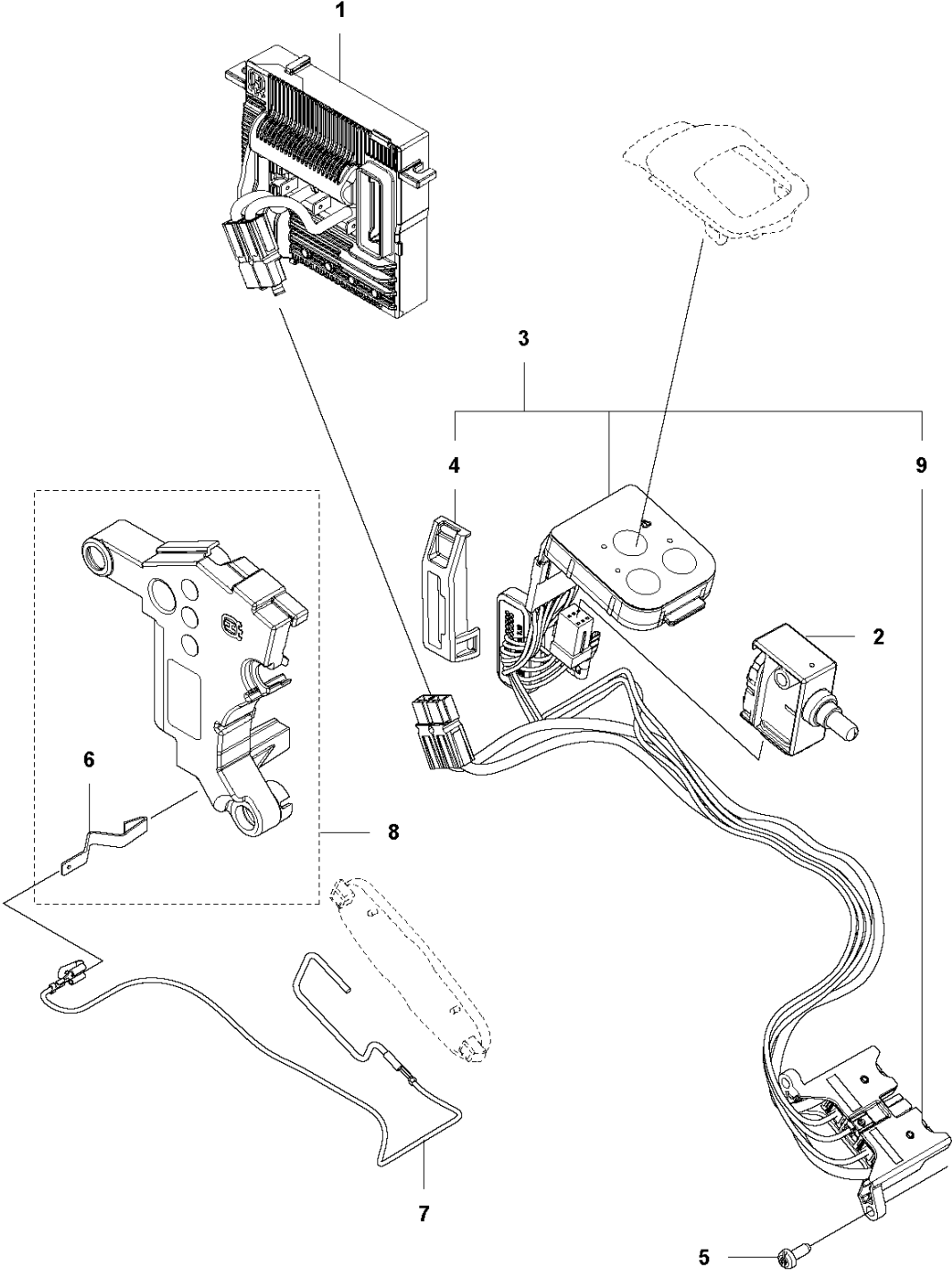


DECALS
from s/n 20180100002

436LiB

Ref	Part No	Description	Remark	QTY KIT
1	586 83 41-01	DECAL	436LiB	1
1	586 83 41-02	DECAL	536LiB	1
2	586 83 42-01	DECAL	436LiB	1
2	586 83 42-02	DECAL	536LiB	1
3	577 84 43-01	DECAL		1

C 436/536 LiB
ELECTRIC SYSTEM

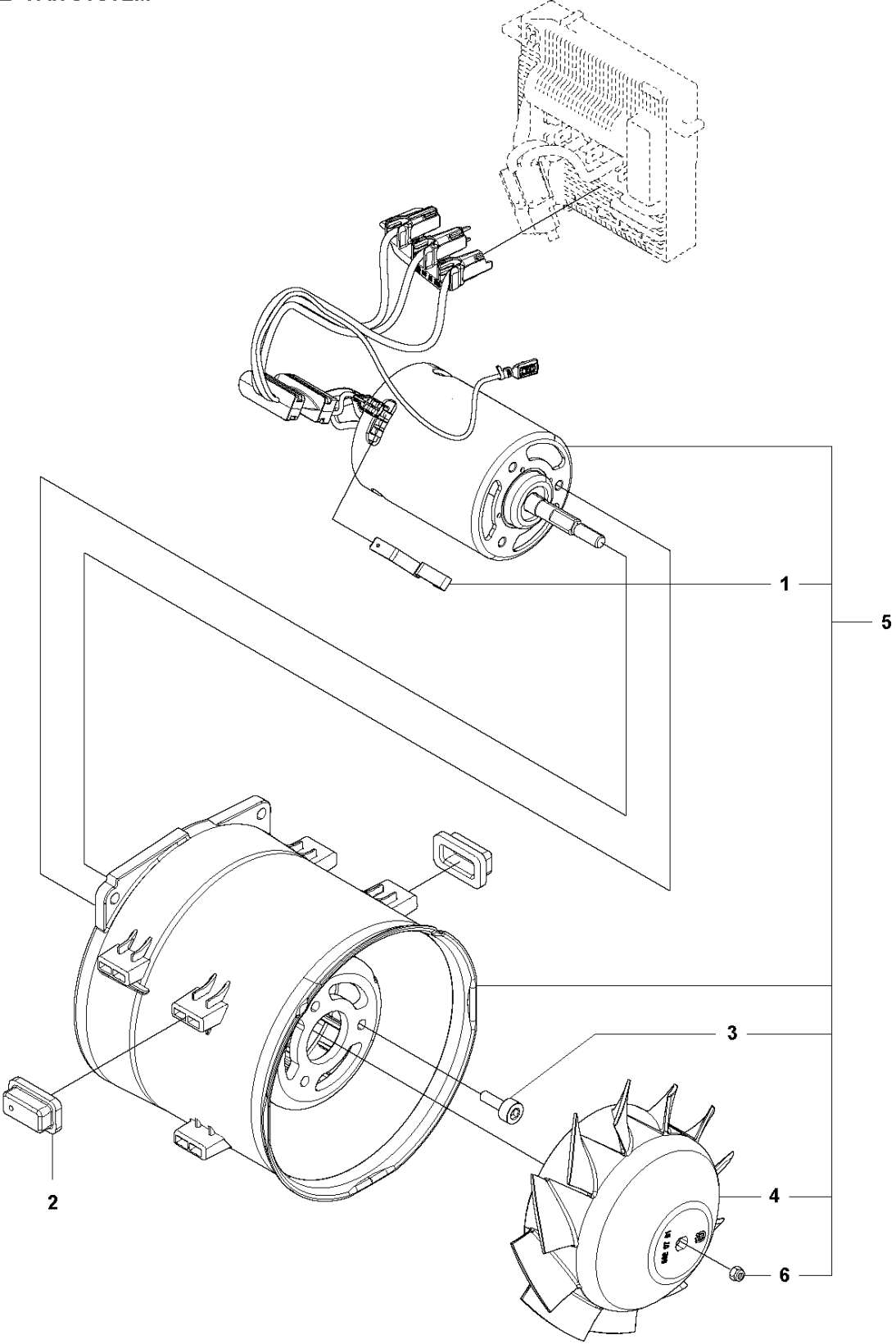


ELECTRICAL
from s/n 20180100002

436LiB

Ref	Part No	Description	Remark	QTY	KIT
1	587 94 86-01	CONTROL UNIT		1	
2	582 05 07-01	TRIGGER SWITCH		1	
3	582 83 76-01	WIRING ASSY		1	
4	587 32 72-01	BRACKET		1	3
5	503 21 28-13	SCREW CCRPANT		2	
6	586 49 22-01	SPRING		1	8
7	586 96 39-01	WIRING ASSY		1	
8	588 00 98-01	KIT		1	
9	593 81 30-01	CONNECTOR		1	3

D2 436 LiB
FAN SYSTEM

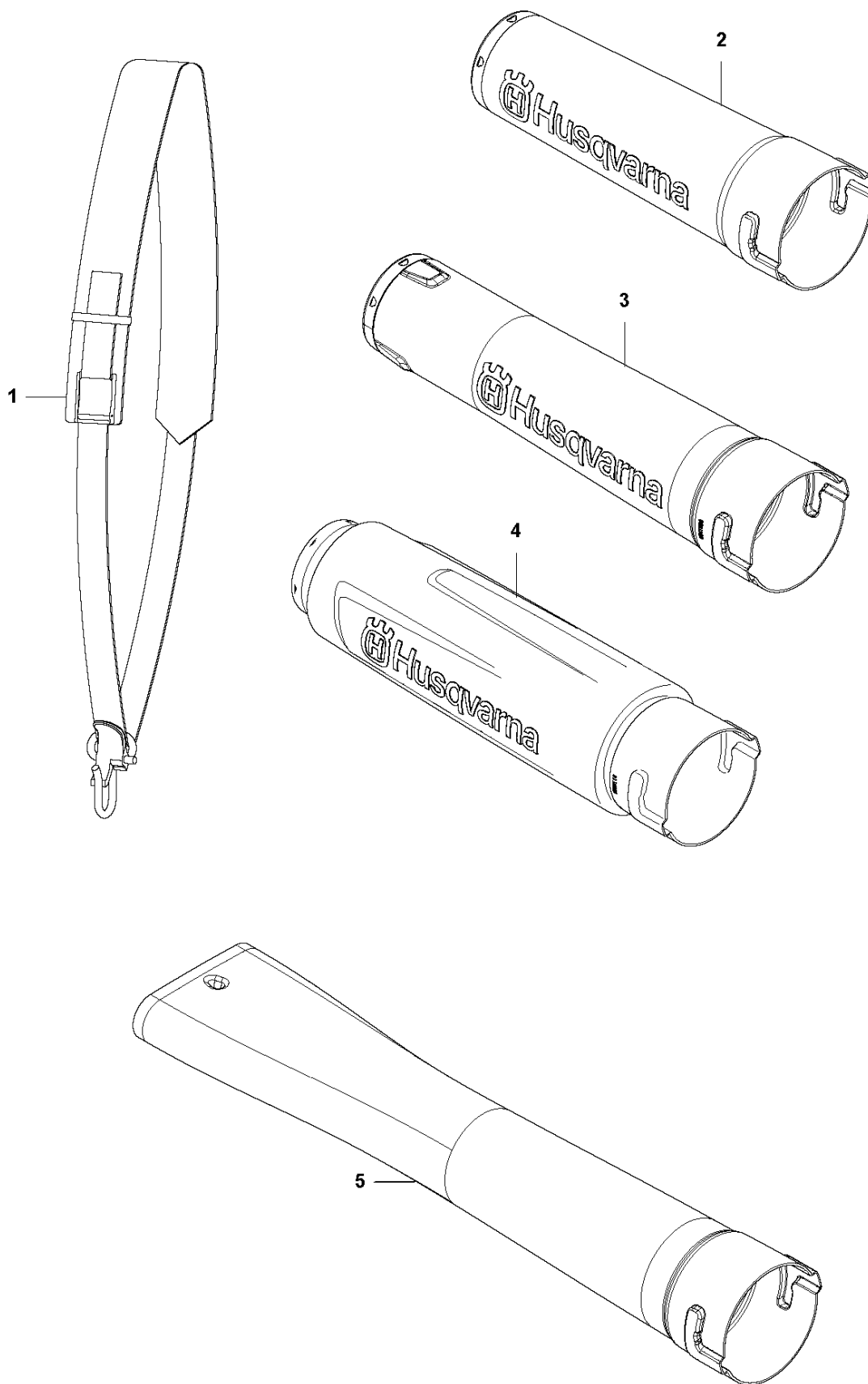


FAN
from s/n 20180100002

436LiB

Ref	Part No	Description	Remark	QTY	KIT
1	586 49 22-01	SPRING		1	5
2	503 91 10-01	SUSPENSION		6	
3	590 54 12-01	SCREW		3	5
4	582 07 91-01	ROTOR		1	5
5	594 08 30-01	MOTOR ASSY		1	
6	581 55 12-01	HEXAGON LOCKING NUT		1	5

E 436/536 LiB
ACCESSORIES



ACCESSORIES
from s/n 20180100002

436LiB

Ref	Part No	Description	Remark	QTY KIT
1	537 21 62-01	HARNESS		1
2	586 10 63-01	TUBE ASSY	Round Nozzle (300mm)	1
3	586 10 63-02	TUBE ASSY	Round Nozzle (400mm)	1
4	589 81 17-01	TUBE ASSY	Nozzle Silencer (400mm)	1
5	579 79 75-01	NOZZLE	Flat Nozzle (600mm)	1