



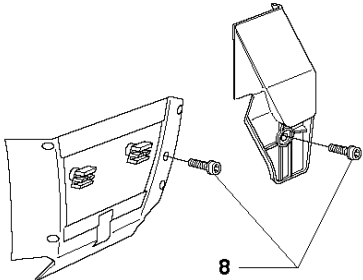
SPARE PARTS LIST

CHAIN SAWS

372XP X-TORQ, 2013-09

Q 372 X-TORQ
Accessories
Zubehöre
Accessories
Accesorios
Tillbehör

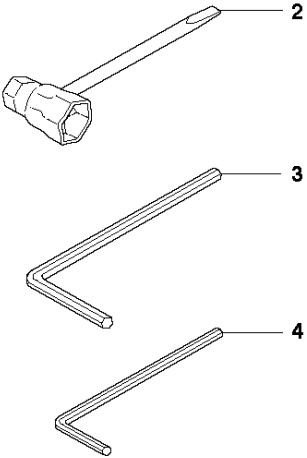
WINTER



7

8

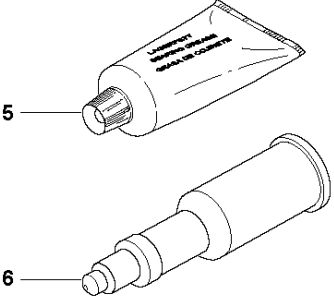
1



2

3

4



5

6

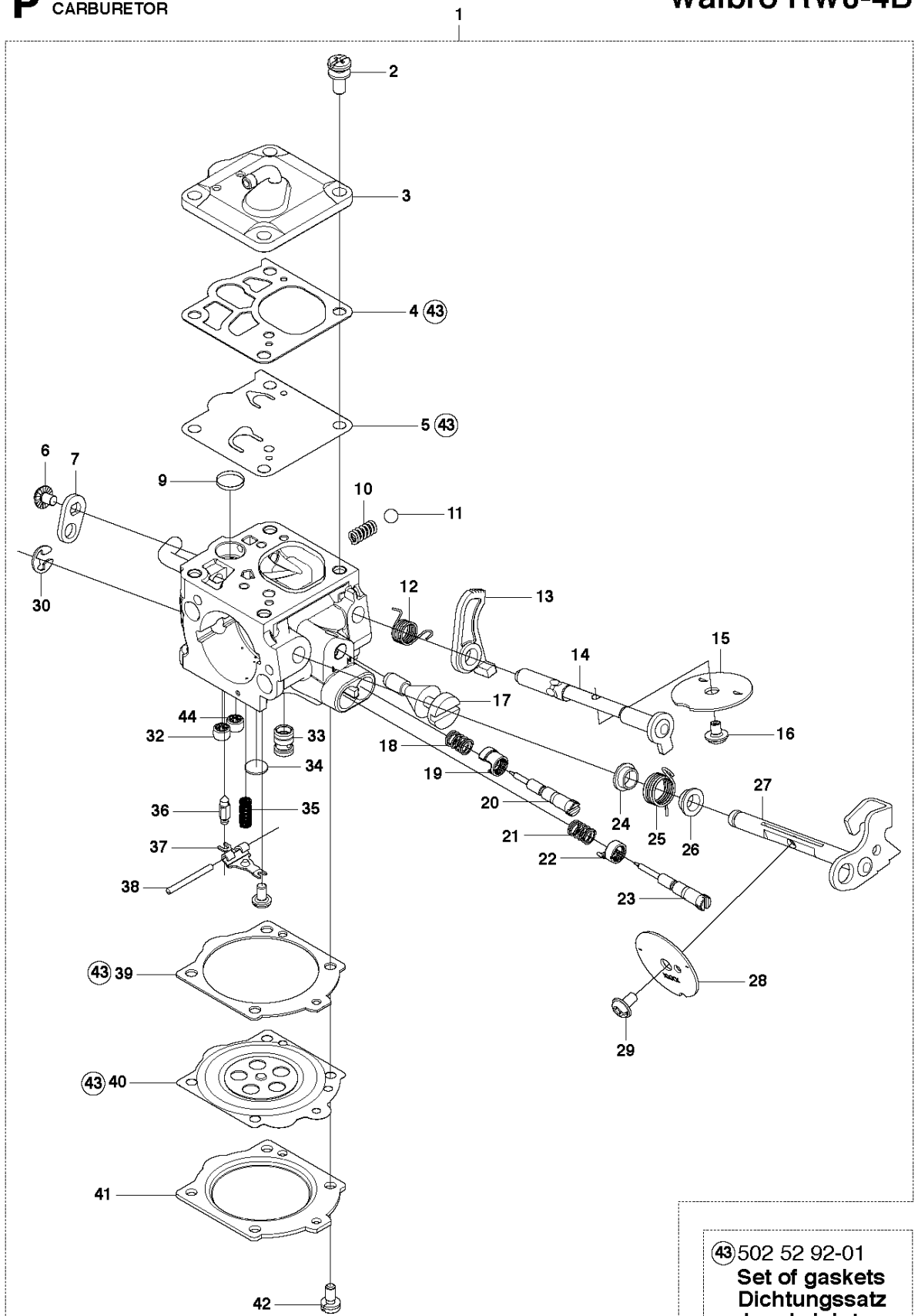
ACCESSORIES

372XP X-TORQ, 2013-09

Ref	Part no.	Description	Remark	Qty	Kit
1	503 55 85-01	TOOL		1	
2	501 69 17-01	COMBINATION WRENCH		1	1
3	503 55 86-02	SPANNER	NV5	1	1
4	503 55 86-01	SPANNER	NV4	1	1
5	503 62 12-01	GREASE		1	1
6	501 91 14-01	GREASE GUN		1	1
7	503 96 90-08	KIT	WINTER	1	
8	503 21 27-16	SCREW CRPANT		1	7

P 372 X-TORQ
CARBURETOR

Walbro RWJ-4B



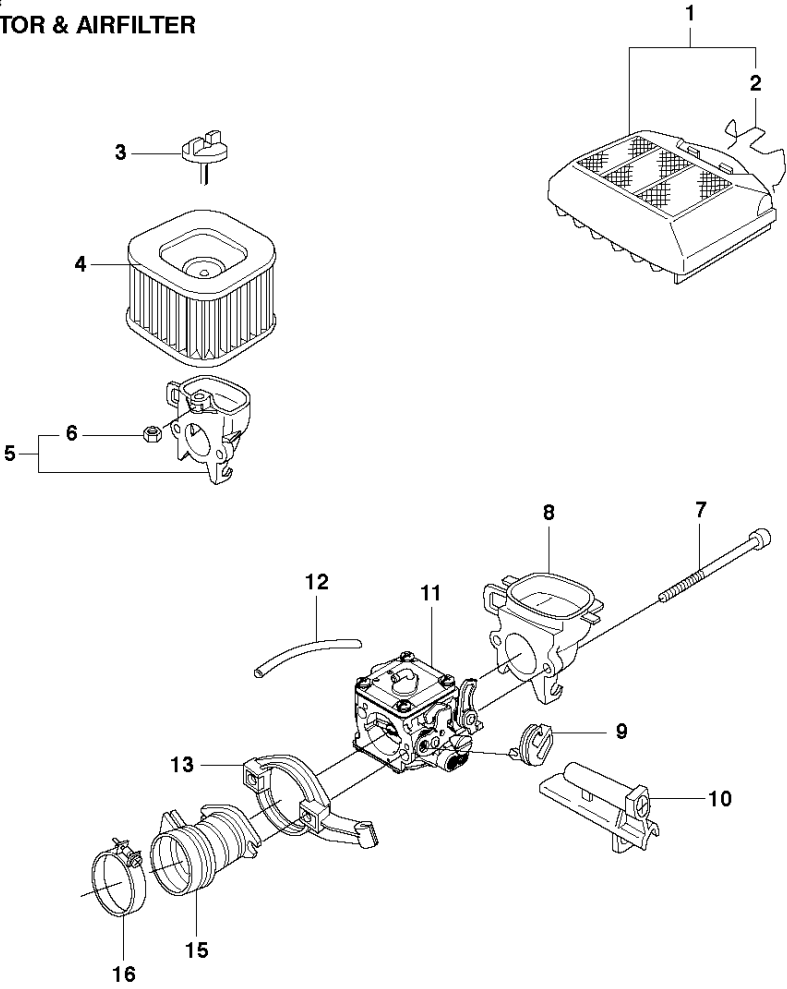
(43) 502 52 92-01
Set of gaskets
Dichtungssatz
Jeu de joints
Juego de juntas
Packningssats

CARBURETOR

372XP X-TORQ, 2013-09

Ref	Part no.	Description	Remark	Qty	Kit
1	581 10 07-01	CARBURETTOR	Walbro RWJ-4B	1	
2	503 11 75-01	SCREW		1	1
3	522 92 35-01	PUMP COVER		1	1
4	503 11 72-01	GASKET PUMP		1	1, 43
5	544 89 72-01	DIAPHRAGM PUMP		1	1, 43
6	501 46 87-01	SCREW		1	1
7	504 79 07-01	LEVER		1	1
9	501 66 61-01	SCREEN-INLET		1	1
10	503 11 77-01	SPRING		1	1
11	503 11 71-01	BALL-CHOKE FRICTION		1	1
12	504 79 15-01	SPRING		1	1
13	537 40 92-01	LEVER		1	1
14	504 79 05-01	SHAFT ASSY		1	1
15	544 89 68-01	VALVE		1	1
16	537 00 34-01	SCREW		1	1
17	585 18 67-01	IDLE SPEED SCREW		1	1
18	544 97 10-01	SPRING		1	1
19	544 97 08-01	LIMITER CAP		1	1
20	522 92 39-01	NEEDLE		1	1
21	544 97 10-01	SPRING		1	1
22	544 97 08-01	LIMITER CAP		1	1
23	544 97 13-01	NEEDLE		1	1
24	502 10 31-01	BUSHING		1	1
25	576 13 82-01	SPRING		1	1
26	502 10 31-01	BUSHING		1	1
27	522 92 37-01	SHAFT ASSY		1	1
28	577 65 79-01	VALVE		1	1
29	537 00 34-01	SCREW		1	1
30	505 31 67-36	RING		1	1
32	580 64 23-01	CHECK VALVE		1	1
33	577 69 98-01	MAIN NOZZLE		1	1
34	504 79 08-01	PLUG		1	1
35	504 79 12-01	SPRING		1	1
36	503 56 34-01	VALVE INLET NEEDLE		1	1
37	505 31 67-34	LEVER		1	1
38	505 31 67-31	PIN-METERING LEVER		1	1
39	501 46 75-01	GASKET		1	1, 43
40	503 63 58-01	DIAPHRAGM ASSY		1	1, 43
41	505 31 67-02	COVER		1	1
42	503 10 87-01	SCREW		1	1
43	502 52 92-01	GASKET KIT	Set of gaskets	1	
44	577 69 97-01	CHECK VALVE ASSY		1	

F 372 X-TORQ
CARBURETOR & AIRFILTER

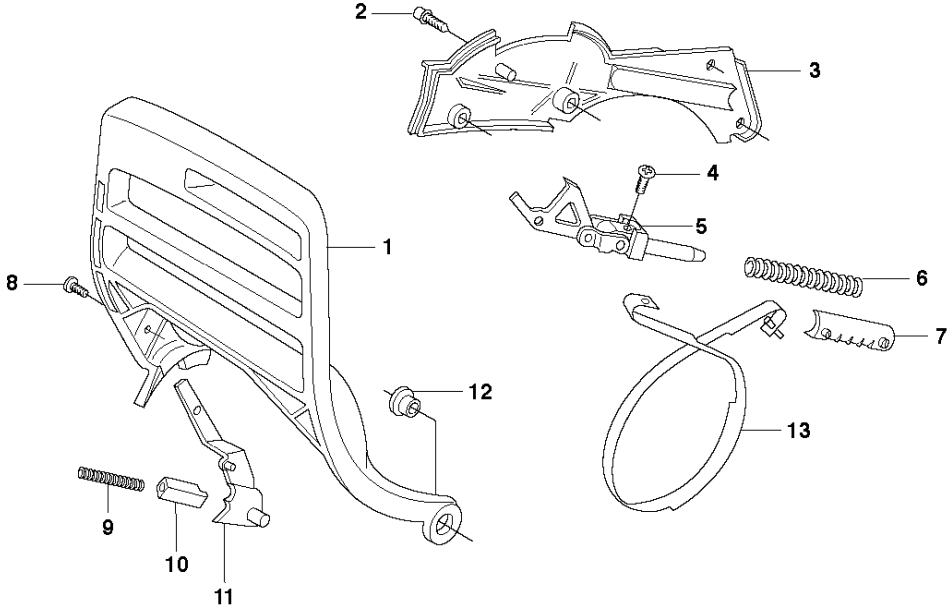


CARBURETOR & AIR FILTER

372XP X-TORQ, 2013-09

Ref	Part no.	Description	Remark	Qty	Kit
1	575 26 91-01	AIR FILTER ASSY	80 My	1	
1	575 26 91-02	AIR FILTER ASSY	44 My	1	
1	575 26 91-03	AIR FILTER ASSY	Felt	1	
2	503 73 54-01	CLAMP		1	1
3	537 21 32-04	KNOB		1	
4	503 81 80-05	AIR FILTER	80 My	1	
4	503 81 80-06	AIR FILTER	44 My	1	
4	503 81 80-04	AIR FILTER	Felt	1	
5	522 02 45-01	FILTER HOLDER ASSY		1	
6	731 23 14-01	HEXAGON NUT		1	5
7	725 53 09-55	SCREW IHSCM		2	
8	515 98 29-01	FILTER HOLDER		1	
9	503 68 41-01	LEVER		1	
10	522 41 88-01	GUIDE SLEEVE CARB		1	
11	581 10 07-01	CARBURETTOR	RWJ-4B	1	
12	503 40 06-04	IMPULSE HOSE		1	
13	522 44 62-01	FLANGE		1	
15	521 99 25-02	INLET PIPE	For cold conditions	1	
15	521 99 25-01	INLET PIPE		1	
16	505 28 33-07	HOSE CLAMP		1	

L 372 X-TORQ
CHAIN BRAKE

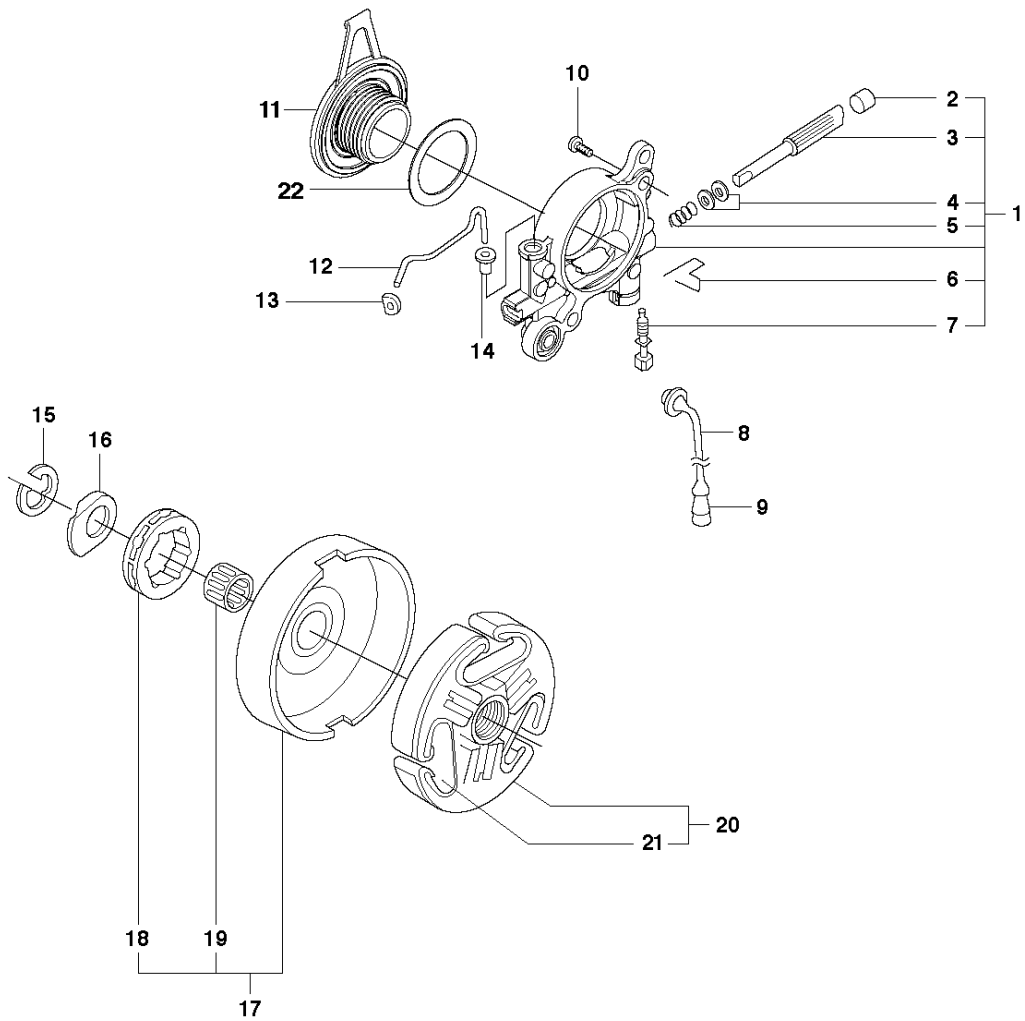


CHAIN BRAKE

372XP X-TORQ, 2013-09

Ref	Part no.	Description	Remark	Qty	Kit
1	515 98 09-01	HAND GUARD		1	
2	503 20 02-12	SCREW IHSCFM		4	
3	503 75 11-03	CAP		1	
4	503 21 28-10	SCREW CCRPANT		1	
5	501 87 53-03	KNEE JOINT		1	
6	503 70 99-01	BRAKE SPRING		1	
7	503 79 27-02	SUPPORT		1	
8	503 20 26-02	SCREW IHSCM		1	
9	503 43 65-01	POSITION SPRING		1	
10	503 83 81-02	LOCK		1	
11	537 00 87-01	BRAKE LEVER		1	
12	503 77 52-01	BUSHING		1	
13	503 75 22-02	BRAKE BAND ASSY		1	

B 372 X-TORQ
CLUTCH & OIL PUMP

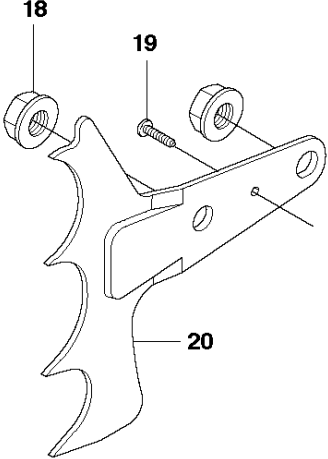
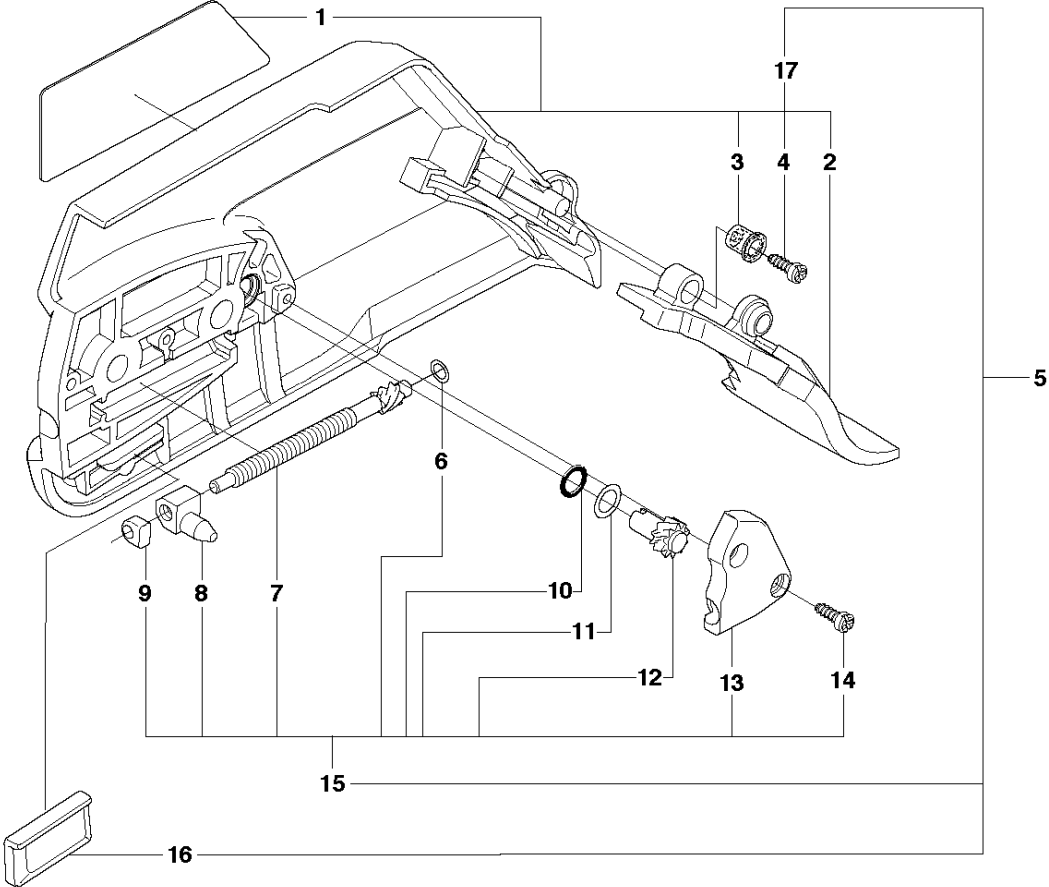


CLUTCH & OIL PUMP

372XP X-TORQ, 2013-09

Ref	Part no.	Description	Remark	Qty	Kit
1	503 52 13-03	OIL PUMP ASSY		1	
2	503 62 49-01	SEALING PLUG		1	1
3	503 52 15-01	PUMP PISTON		1	1
4	503 23 00-04	WASHER		1	1
5	501 61 58-01	SPRING		1	1
6	503 81 30-01	SPRING		1	1
7	503 81 13-01	PIN SCREW		1	1
8	503 42 67-01	OIL HOSE		1	
9	501 54 41-02	OIL SCREEN		1	
10	725 53 29-56	SCREW IHSCM		1	
11	537 20 78-07	PUMP PINION		1	
12	503 77 43-01	OIL PIPE		1	
13	503 64 47-01	INLET OIL PIPE		1	
14	504 30 00-26	SEALING		1	
15	503 27 21-01	E-CLIP		1	
16	503 75 24-01	WASHER		1	
17	503 93 24-71	CLUTCH DRUM	"3/8"x7T"	1	
17	503 93 24-72	CLUTCH DRUM	"3/8"x8T"	1	
18	501 59 80-02	RIM	"3/8"x7T"	1	17
18	505 30 36-61	RIM	"3/8"x8T"	1	17
19	503 43 20-01	NEEDLE HOLDER		1	17
20	503 74 44-01	CLUTCH ASSY		1	
21	537 36 06-01	CLUTCH SPRING		1	20
22	503 23 00-59	WASHER		1	

A2 372 X-TORQ
CLUTCH COVER

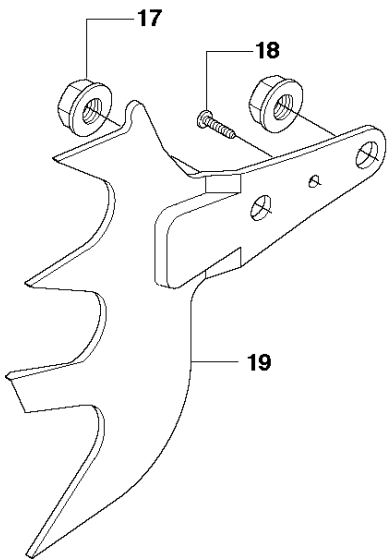
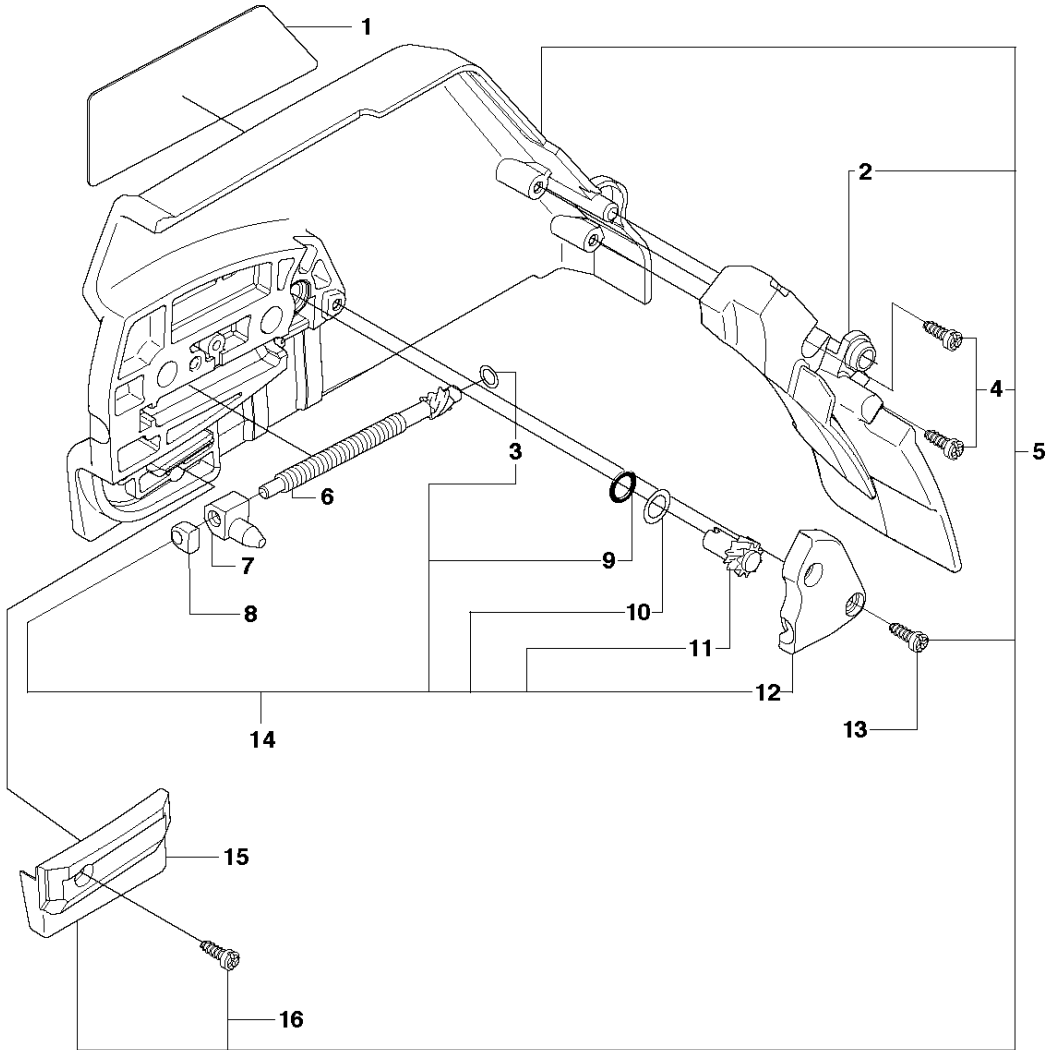


CLUTCH COVER

372XP X-TORQ, 2013-09

Ref	Part no.	Description	Remark	Qty	Kit
1	537 03 38-03	LABEL		1	5, 17
2	503 76 29-02	CHIP GUARD		1	5, 17
3	503 89 70-01	SLEEVE		1	5, 17
4	503 21 28-10	SCREW CCRPANT		1	5, 17
5	537 03 35-01	CLUTCH COVER ASSY		1	
6	503 23 00-66	WASHER		1	5,15
7	537 07 95-02	WORM SCREW		1	5,15
8	503 99 83-01	PAWL		1	5,15
9	537 01 74-01	BEARING SLEEVE		1	5,15
10	740 48 07-02	O-RING		1	5,15
11	503 23 00-63	WASHER		1	5,15
12	537 07 94-02	WORM WHEEL		1	5,15
13	537 01 68-01	COVER		1	5,15
14	503 21 28-10	SCREW CCRPANT		2	5,15
15	537 04 41-02	CHAIN TENSIONER		1	5
16	501 51 72-01	CHAIN GUIDE		1	5
17	537 03 35-71	CLUTCH COVER ASSY		1	5
18	503 22 00-01	HEXAGON NUT FLANGE		2	
19	503 21 28-10	SCREW CCRPANT		1	
20	503 71 97-01	SPIKE OUTER		1	

A1 372 X-TORQ WA
CLUTCH COVER

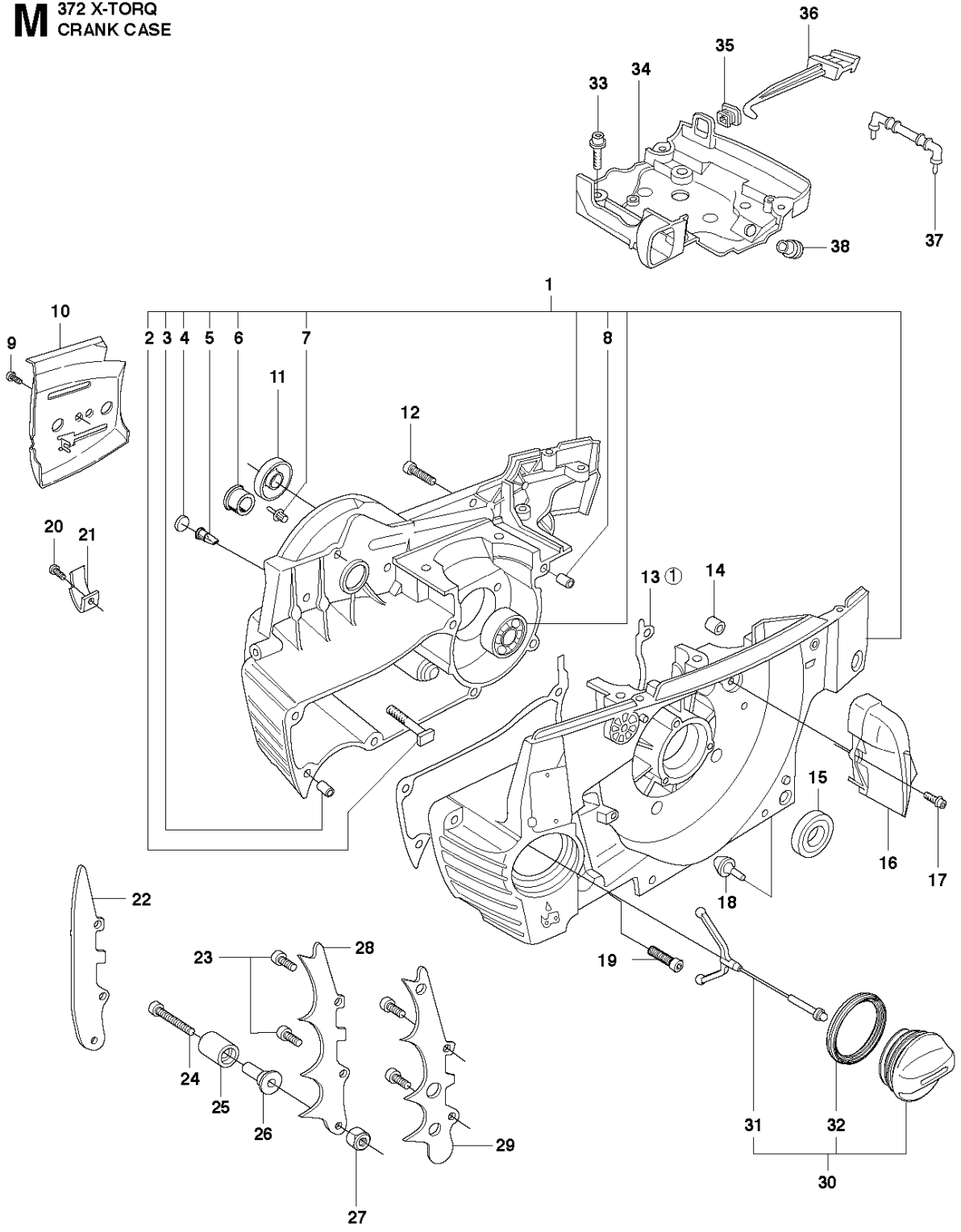


CLUTCH COVER

372XP X-TORQ, 2013-09

Ref	Part no.	Description	Remark	Qty	Kit
1	537 03 38-03	LABEL		1	5
2	537 17 41-01	CHIP GUARD		1	5
3	503 23 00-66	WASHER		1	14
4	503 21 28-10	SCREW CCRPANT		1	5
5	537 33 10-01	CLUTCH COVER ASSY	372XPW	1	
6	537 07 95-02	WORM SCREW		1	14
7	503 99 83-01	PAWL		1	14
8	537 01 74-01	BEARING SLEEVE		1	14
9	740 48 07-02	O-RING		1	14
10	503 23 00-63	WASHER		1	14
11	537 07 94-02	WORM WHEEL		1	14
12	537 01 68-01	COVER		1	14
13	503 21 28-10	SCREW CCRPANT		2	5
14	537 04 41-02	CHAIN TENSIONER		1	5
15	537 04 34-01	CHAIN GUIDE		1	5
16	503 21 28-10	SCREW CCRPANT		1	5
17	503 22 00-01	HEXAGON NUT FLANGE		2	
18	503 21 28-10	SCREW CCRPANT		1	
19	503 92 27-01	BARKSTØD		1	

M 372 X-TORQ
CRANK CASE

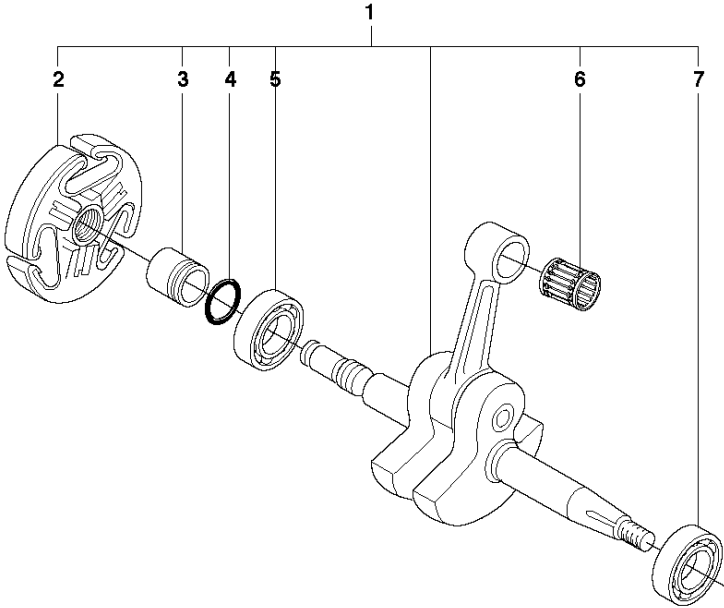


CRANKCASE

372XP X-TORQ, 2013-09

Ref	Part no.	Description	Remark	Qty	Kit
1	503 62 68-08	CRANKCASE ASSY		1	
2	537 05 13-01	BAR BOLT		1	1
3	501 27 08-01	GUIDE BUSHING		1	1
4	530 02 61-19	CHECK VALVE		1	1
5	537 40 35-01	FILTER		1	1
6	503 96 70-01	BUSHING		1	1
7	503 75 18-01	PIN KNEE-JOINT		1	1
8	501 27 08-01	GUIDE BUSHING		1	1
9	503 21 28-10	SCREW CCRPANT		1	
10	537 01 37-01	CHAIN GUIDE PLATE		1	
11	503 26 03-01	SEALING RING		1	
12	503 74 93-01	SCREW		1	
13	503 62 72-01	GASKET CRANKCASE		1	
14	503 85 73-01	COVER		1	
15	505 27 57-19	SEALING RING		1	
16	503 62 84-01	AIR NOZZLE		1	
17	503 20 02-12	SCREW IHSCFM		1	
18	503 84 61-01	BUFFER		1	
19	503 20 08-70	SCREW IHSCM		1	
20	725 53 31-65	SCREW IHSCM		1	
21	501 68 68-01	CHAIN CATCHER		1	
22	537 04 29-01	BUMPER		1	
23	503 21 26-16	SCREW IHPANM		1	
24	503 20 02-30	SCREW IHSCFM		1	
25	537 02 44-01	WEAR PROTECTION		1	
26	537 08 92-01	CHAIN CATCHER		1	
27	503 22 24-01	LOCKING NUT		1	
28	537 01 71-01	BARKSTØD		1	
29	503 64 79-02	BARKSTØD		1	
30	537 21 52-02	TANK CAP ASSY		1	
31	503 57 89-01	HOLDER		1	30
32	537 21 50-01	SEALING		1	30
33	503 20 02-12	SCREW IHSCFM		4	
34	503 62 73-03	CARBURETTOR AREA BAS		1	
35	503 73 44-01	GROMMET		1	
36	515 98 22-01	CHOKE		1	
37	503 67 86-01	STÖTTA FÖRGASARE		1	
38	537 09 54-01	GROMMET		1	

N 372 X-TORQ
CRANK SHAFT

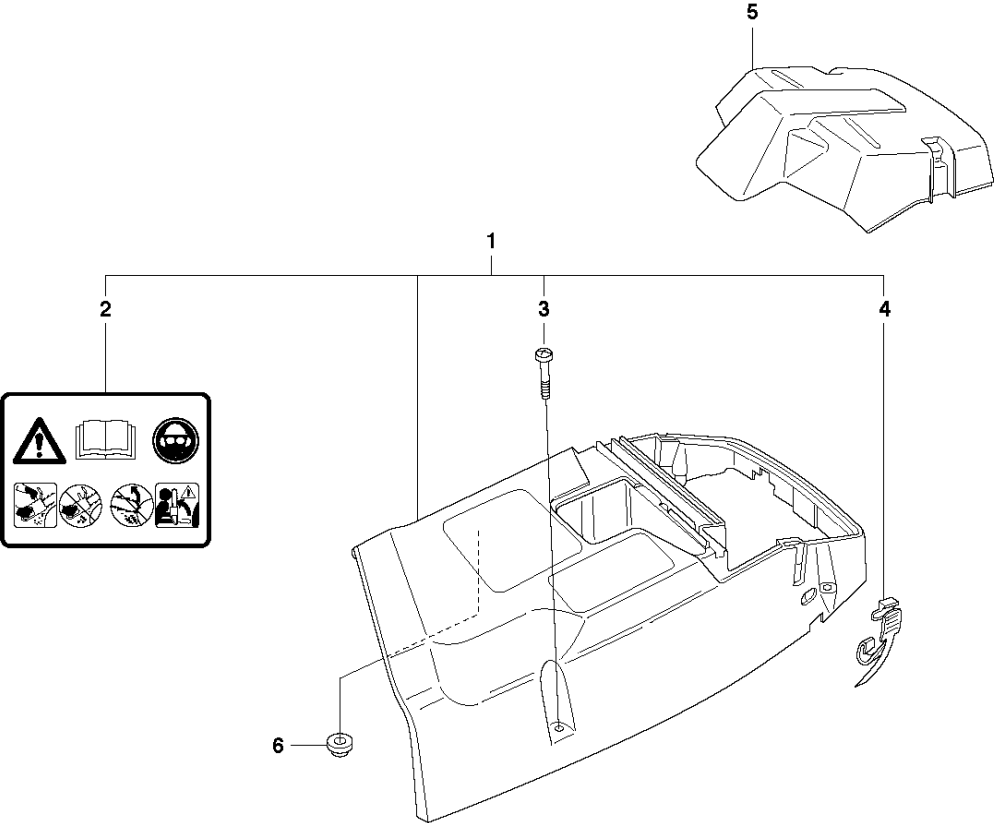


CRANKSHAFT

372XP X-TORQ, 2013-09

Ref	Part no.	Description	Remark	Qty	Kit
1	503 74 87-03	CRANKSHAFT ASSY		1	
2	503 74 44-01	CLUTCH ASSY		1	1
3	503 77 91-01	SLEEVE		1	1
4	503 26 30-19	O-RING		1	1
5	503 25 08-01	BEARING		1	1
6	577 57 24-01	NEEDLE BEARING		1	1
7	503 25 08-01	BEARING		1	1

E 372 X-TORQ
CYLINDER COVER

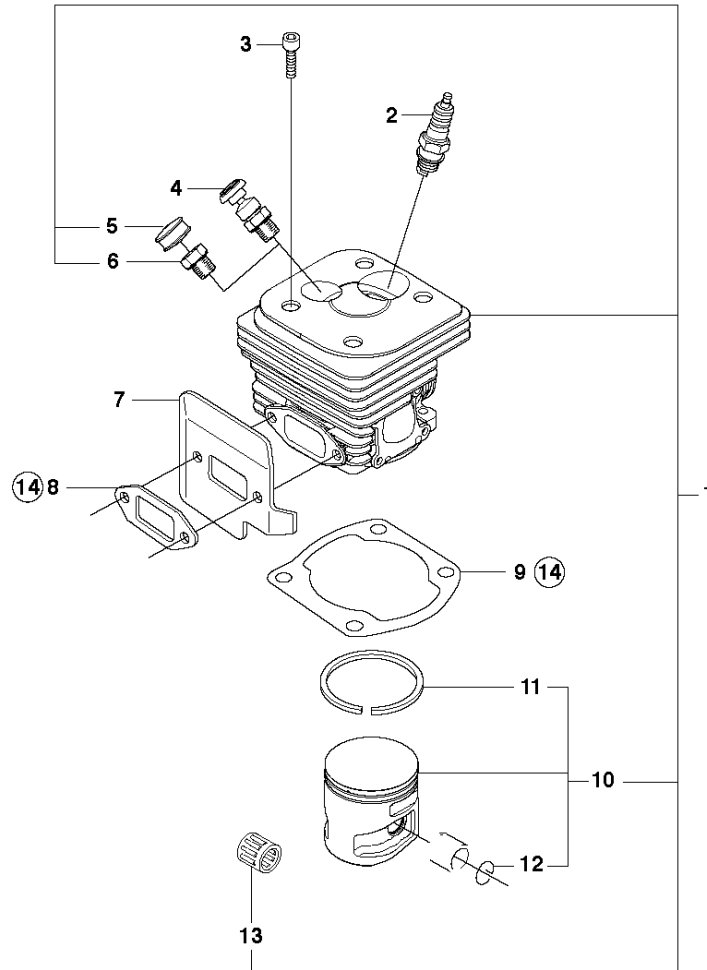


CYLINDER COVER

372XP X-TORQ, 2013-09

Ref	Part no.	Description	Remark	Qty	Kit
1	575 25 59-02	CYLINDER COVER ASSY		1	
2	503 98 74-01	LABEL		1	1
3	503 20 34-74	SCREW CRPANMO		1	1
4	503 74 01-02	SNAP		1	1
5	503 62 80-01	FILTER COVER	Std	1	
5	503 81 77-01	FILTER COVER	HD	1	
6	537 01 65-01	SUPPORT		1	

H 372 X-TORQ
CYLINDER PISTON

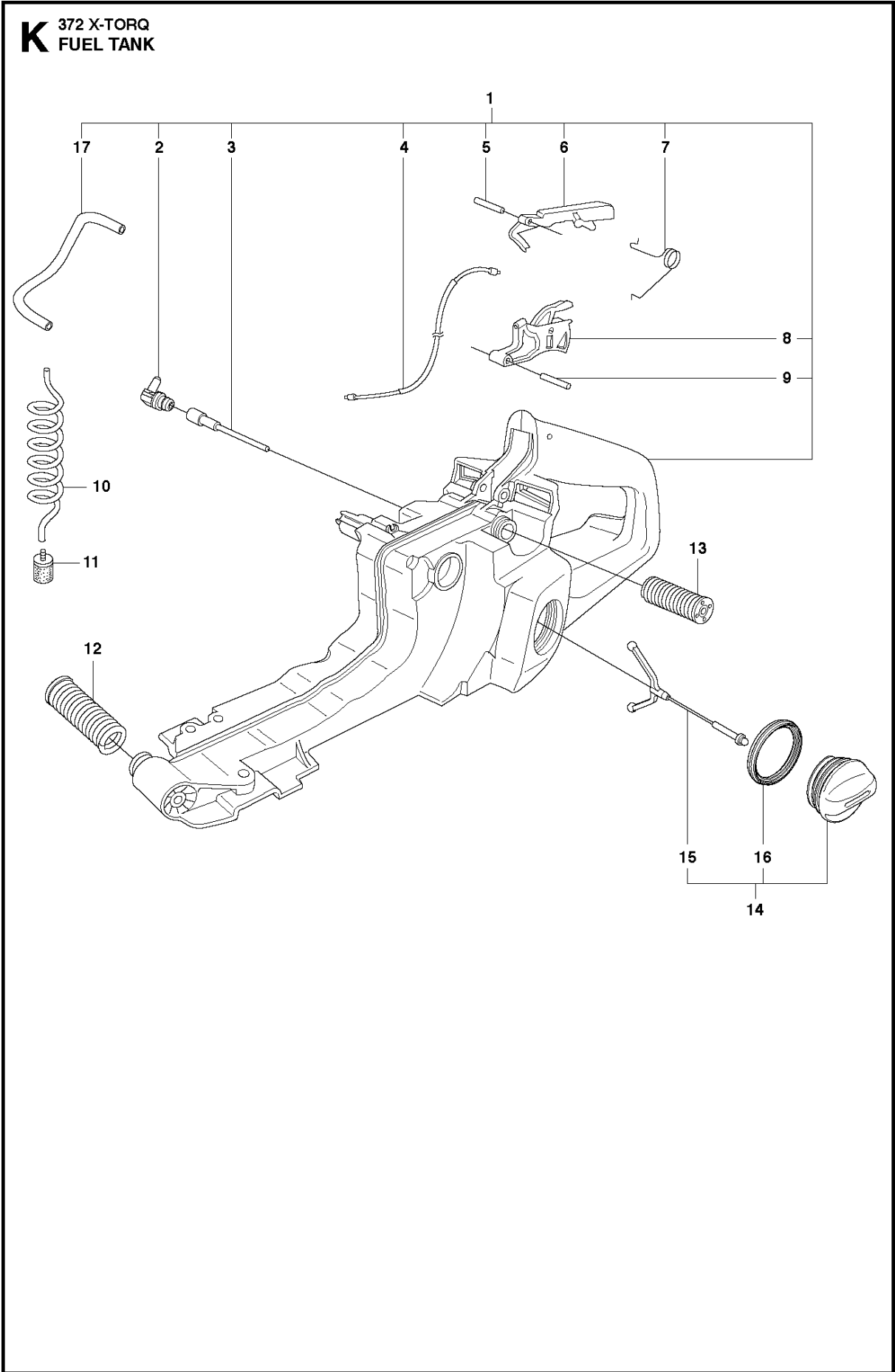


- ⑭ 503 64 72-01
Set of gaskets
Dichtungssatz
Jeu de joints
Juego de juntas
Packningssats

CYLINDER PISTON

372XP X-TORQ, 2013-09

Ref	Part no.	Description	Remark	Qty	Kit
1	575 25 57-02	CYLINDER ASSY		1	
2	503 23 51-11	SPARK PLUG	BPMR7A	1	
3	725 53 33-55	SCREW IHSCM		4	
4	537 29 44-01	DECOMPRESSION VALVE		1	
5	537 20 71-01	PLUG		1	1
6	503 55 22-01	PLUG		1	1
7	523 04 91-01	HEAT DEFLECTOR		1	
8	503 77 59-01	GASKET MUFFLER		1	14
9	503 96 15-01	GASKET		1	14
10	577 20 77-02	PISTON ASSY		1	1
11	576 81 84-01	PISTON RING		2	1, 10
12	737 43 12-00	SNAP RING		2	1, 10
13	577 57 24-01	NEEDLE BEARING		1	1
14	503 64 72-01	GASKET KIT	Set of gaskets	1	1

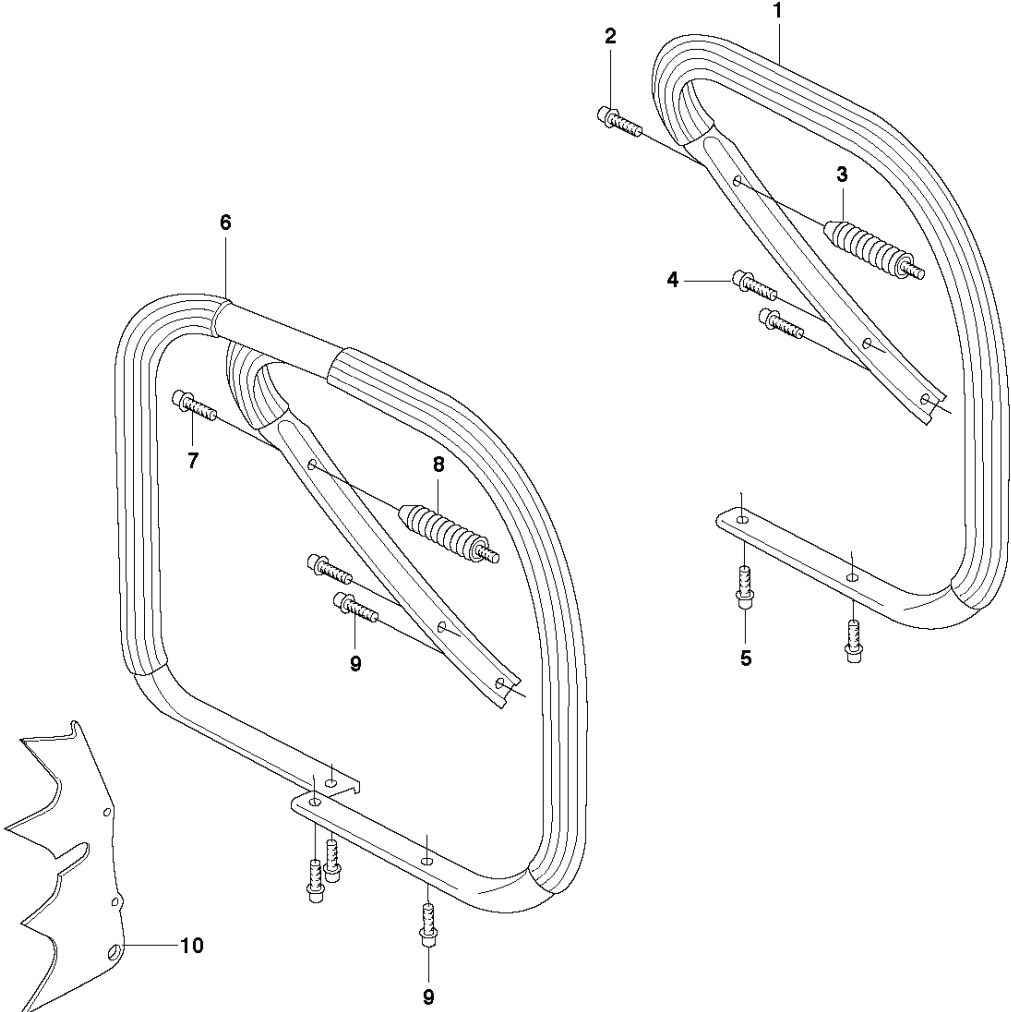


FUEL TANK

372XP X-TORQ, 2013-09

Ref	Part no.	Description	Remark	Qty	Kit
1	544 11 40-05	FUEL TANK		1	
2	537 09 93-01	CONNECTION BEND		1	1
3	537 09 22-01	TANK VENT ASSY		1	1
4	503 71 76-01	THROTTLE WIRE ASSY		1	1
5	720 12 40-20	PARALLEL PIN		1	1
6	503 55 66-01	THROTTLE LOCKOUT		1	1
7	503 73 64-01	SPRING		1	1
8	503 82 98-01	THROTTLE TRIGGER		1	1
9	720 12 72-20	PARALLEL PIN		1	
10	581 75 62-02	FUEL HOSE		1	
11	503 44 32-01	FILTER		1	
12	503 63 76-01	ANTIVIBRATION ELEMENT	Std	1	
12	503 63 76-02	ANTIVIBRATION ELEMENT	Hard	1	
13	503 89 56-01	ANTIVIBRATION ELEMENT	Std	1	
13	503 89 56-02	ANTIVIBRATION ELEMENT	Hard	1	
14	537 21 52-02	TANK CAP ASSY		1	
15	503 57 89-01	HOLDER		1	14
16	537 21 50-01	SEALING		1	14
17	581 75 61-06	FUEL HOSE		1	1

J 372 X-TORQ
HANDLE

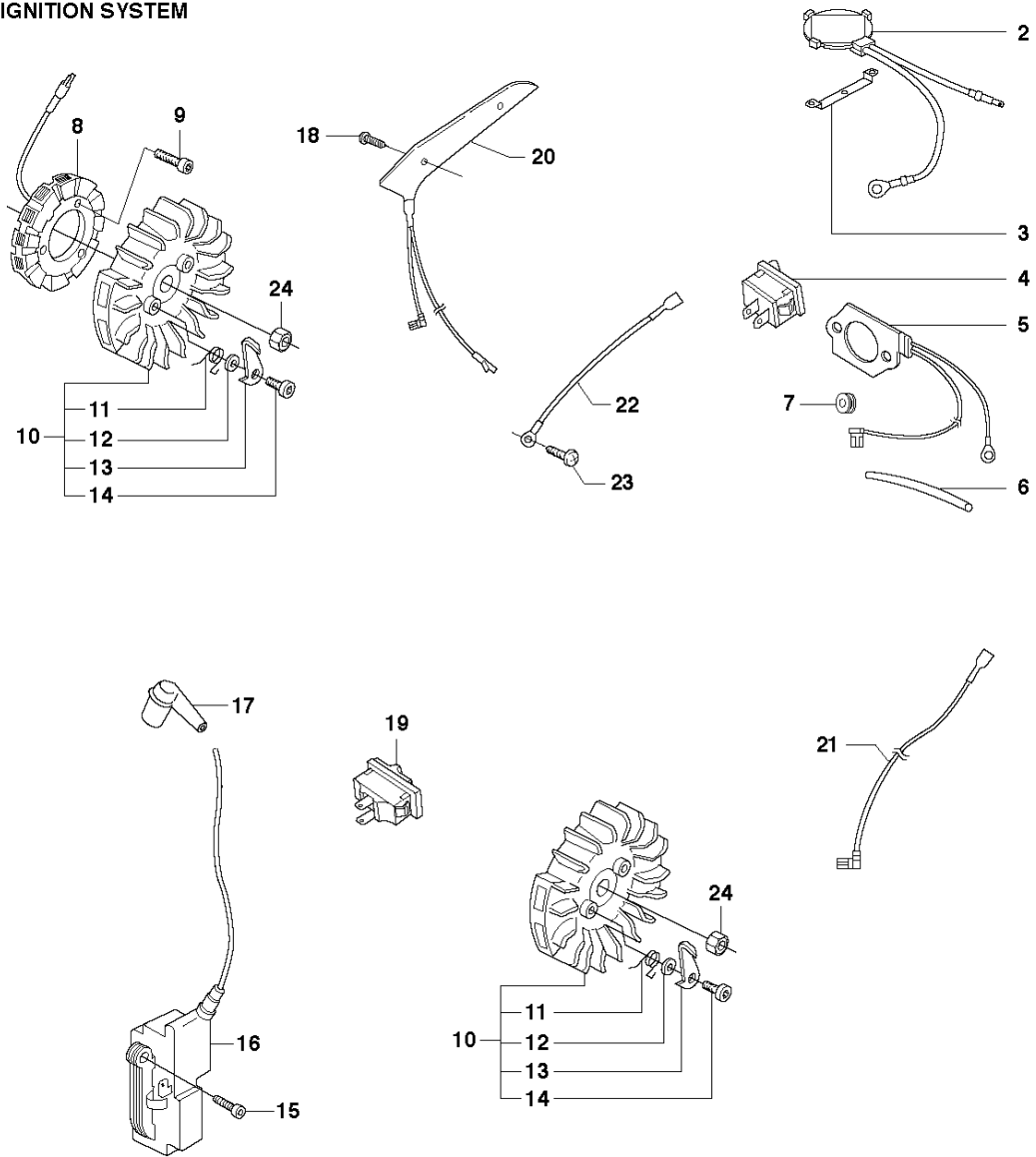


HANDLE

372XP X-TORQ, 2013-09

Ref	Part no.	Description	Remark	Qty	Kit
1	522 42 88-01	FRONT HANDLE ASSY		1	
1	522 42 88-02	FRONT HANDLE ASSY	G	1	
2	503 21 05-22	SCREW IHSCFT		1	
3	503 63 75-02	ANTIVIBRATION ELEMENT	STD	1	
3	503 63 75-03	ANTIVIBRATION ELEMENT	HARD	1	
3	503 68 45-02	ANTIVIBRATION ELEMENT	G	1	
4	503 21 49-72	SCREW IHSCFT		2	
5	503 21 49-72	SCREW IHSCFT		2	
6	522 59 32-01	FRONT HANDLE ASSY	WRAP	1	
7	503 21 05-22	SCREW IHSCFT		1	
8	503 63 75-02	ANTIVIBRATION ELEMENT		1	
9	503 21 49-72	SCREW IHSCFT		5	
10	537 01 72-01	BARKSTØD		1	

D 372 X-TORQ
IGNITION SYSTEM

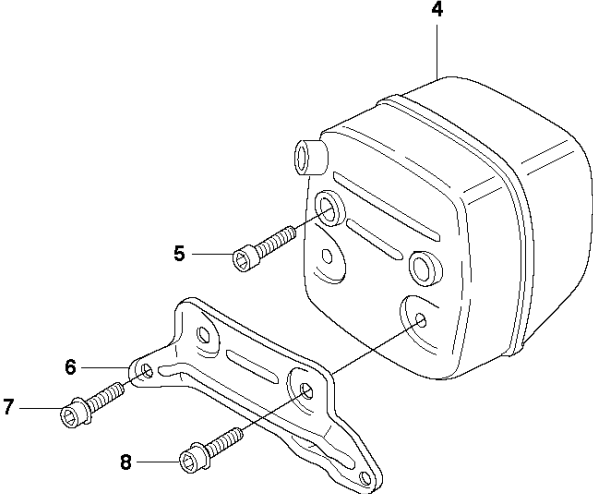
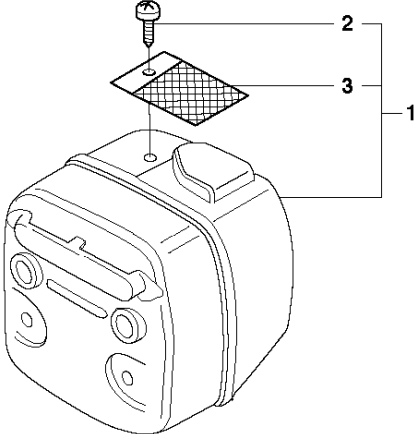


IGNITION SYSTEM

372XP X-TORQ, 2013-09

Ref	Part no.	Description	Remark	Qty	Kit
2	537 18 98-01	THERMOSTAT ASSY	G	1	
3	537 06 32-01	RETAINER	G	1	
4	503 55 49-01	SWITCH	G	1	
5	537 06 53-02	FOIL ELEMENT	G	1	
6	503 23 85-65	SHRINKAGE HOSE	G	2	
7	501 43 00-01	CABLE GROMMET	G	2	
8	537 07 18-02	STATOR ASSY	G	2	
9	503 20 26-16	SCREW IHSCM	G	2	
10	537 05 16-06	FLYWHEEL ASSY	G	1	
10	537 05 16-05	FLYWHEEL ASSY		1	
11	501 67 35-01	SPRING		1	10
12	503 23 00-42	WASHER		1	10
13	537 01 55-01	STARTER PAWL		1	10
14	501 81 99-01	SCREW		1	10
15	503 20 02-20	SCREW IHSCFM		2	
16	522 79 54-03	IGNITION MODULE	COT, EPA, EU	1	
17	501 48 54-02	SPARK PLUG CAP		1	
18	503 21 38-01	SCREW CRCSRT		2	
19	503 71 82-01	SWITCH		1	
20	503 70 59-01	HEATING PLATE	G	1	
21	503 62 61-01	CABLE		1	
22	503 89 76-01	CABLE		1	
23	503 21 28-10	SCREW CCRPANT		1	
24	503 22 04-01	NUT		2	

G 372 X-TORQ
MUFFLER

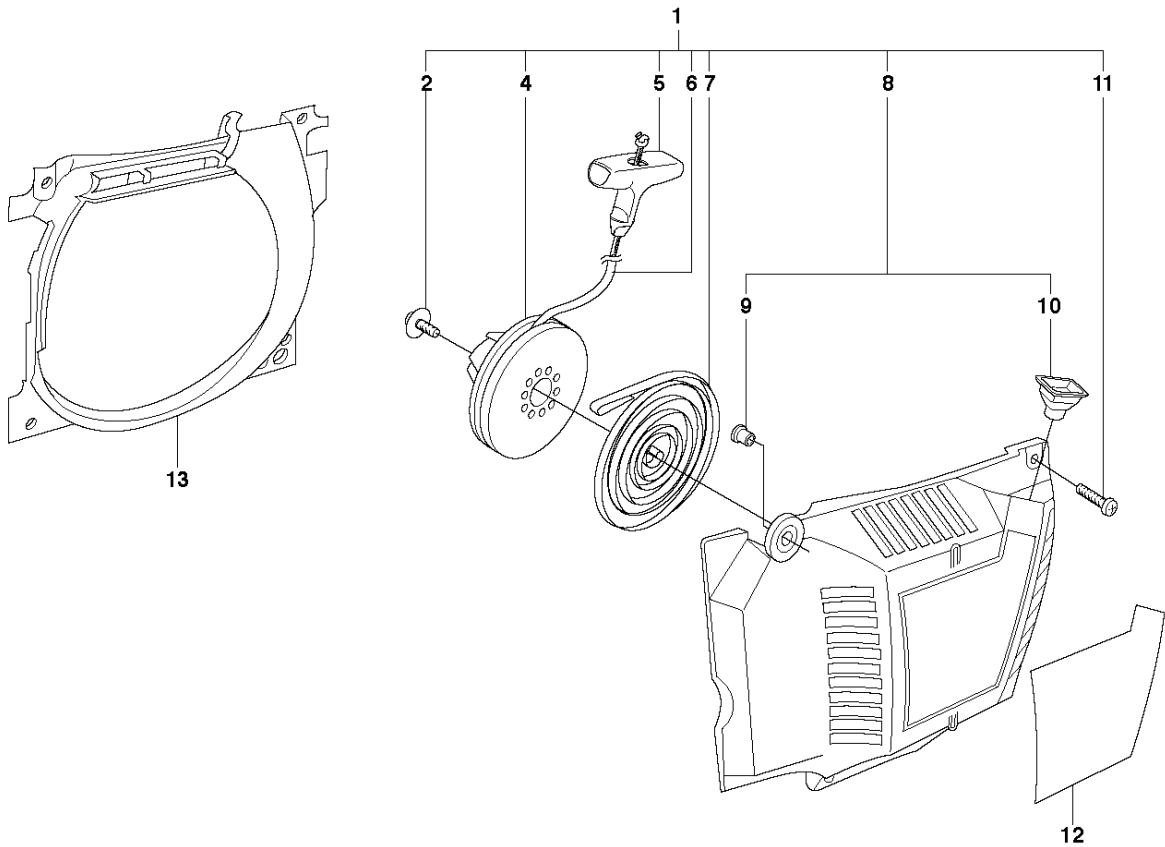


MUFFLER

372XP X-TORQ, 2013-09

Ref	Part no.	Description	Remark	Qty	Kit
1	544 02 97-02	MUFFLER ASSY	DF	1	
2	724 12 87-59	SCREW CRPANM		1	1
3	503 76 64-02	SPARK ARRESTOR SCREEN		1	1
4	544 02 95-01	MUFFLER ASSY	Tube	1	
5	725 53 70-55	SCREW IHSCM		2	
6	579 02 59-01	SUPPORT		1	
7	503 20 07-74	SCREW IHSCFM		2	
8	503 20 07-02	SCREW IHSCFM		2	

C 372 X-TORQ
STARTER



STARTER

372XP X-TORQ, 2013-09

Ref	Part no.	Description	Remark	Qty	Kit
1	503 62 81-71	STARTER ASSY		1	
2	503 21 52-16	SCREW IHSCFT		1	1
4	503 85 96-01	STARTER PULLEY		1	1
5	522 03 73-01	STARTER HANDLE		1	1
6	503 43 29-02	STARTER CORD		1	1
7	503 78 72-01	RECOIL SPRING		1	1
8	503 62 82-02	STARTER HOUSING		1	1
9	537 08 67-01	BUSHING		1	1, 8
10	501 63 06-01	REINFORCEMENT SLEEVE		1	1, 8
11	544 08 03-01	SCREW CIHPANMO		4	1
12	537 23 02-12	LABEL	XP	1	
12	537 23 02-13	LABEL	XPG	1	
13	503 62 83-01	AIR CONDUCTOR		1	