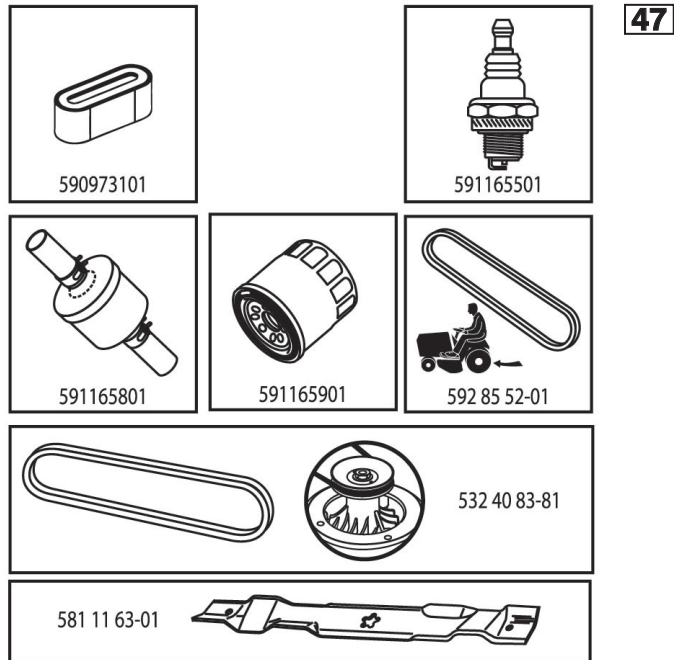


ILLUSTRATED PARTS LIST

MODEL NO. 96041043100

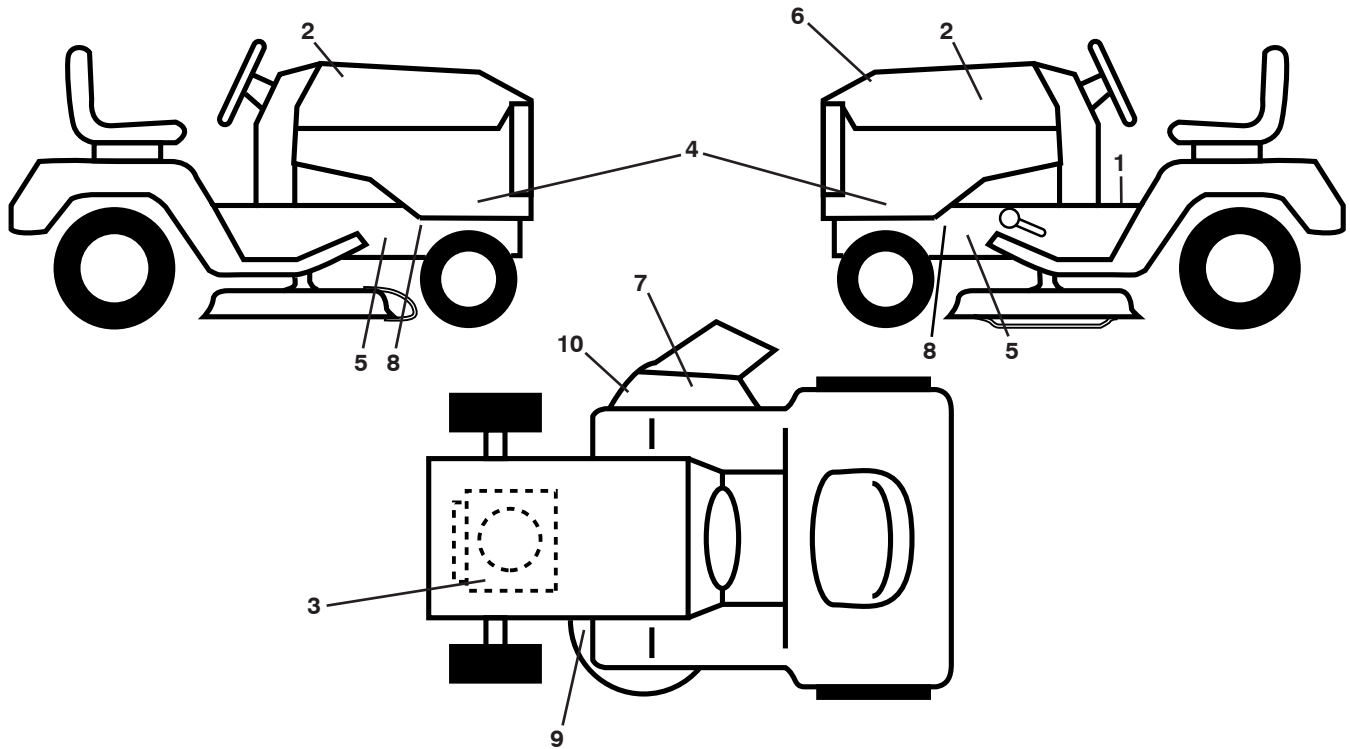
CUSTOMER CATALOG NO. TS 138L

PRODUCT NO. 960 41 04-31



597570801

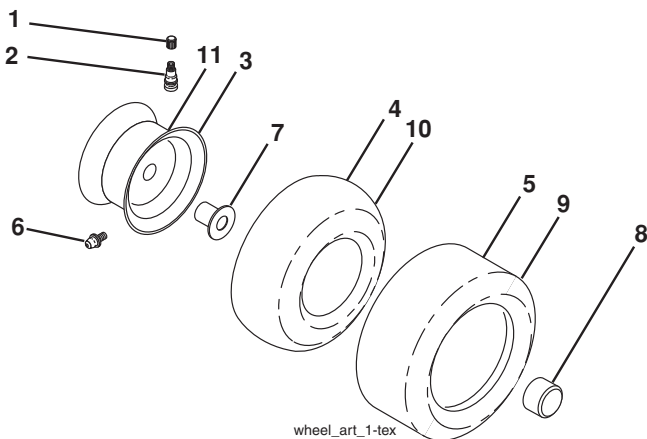
**TRACTOR - - MODEL NO. TS 138L (96041043100), PRODUCT NO. 960 41 04-31
DECALS 27**



KEY NO.	PART NO.	DESCRIPTION
1	586 04 73-02	Decal, Saddle
2	501 13 14-01	Decal, Hood Emblem
3	581 57 97-01	Decal, Warning Eng. Symbols
4	598 49 14-01	Decal, Side Panel
5	581 57 96-01	Decal, Chassis Hot Muffler
6	597 57 08-01	Decal, Rpl
7	584 90 46-01	Decal, Deflect. Warning
8	581 57 98-01	Decal, Warning-Service/Fire
9	581 58 00-03	Decal, Mower V-Belt Schematic
10	581 57 92-01	Decal, Warning

KEY NO.	PART NO.	DESCRIPTION
--	581 72 48-01	Decal, Bypass Fender
--	581 72 46-01	Decal, Drawbar Load Limit
--	532 43 96-81	Pad, Footrest, LH
--	532 43 99-66	Pad, Footrest, RH
--	114 20 78-20	Manual Oper. Euro
--	114 20 80-50	Manual Oper. Eblock
--	114 20 81-40	Manual Oper. Blatic
--	114 20 79-10	Manual Oper. Scan
--	114 20 83-53	Manual Oper. Ukr
--	114 20 82-76	Manual Oper. Turk

WHEELS AND TIRES

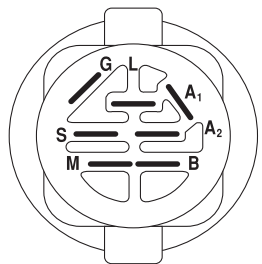
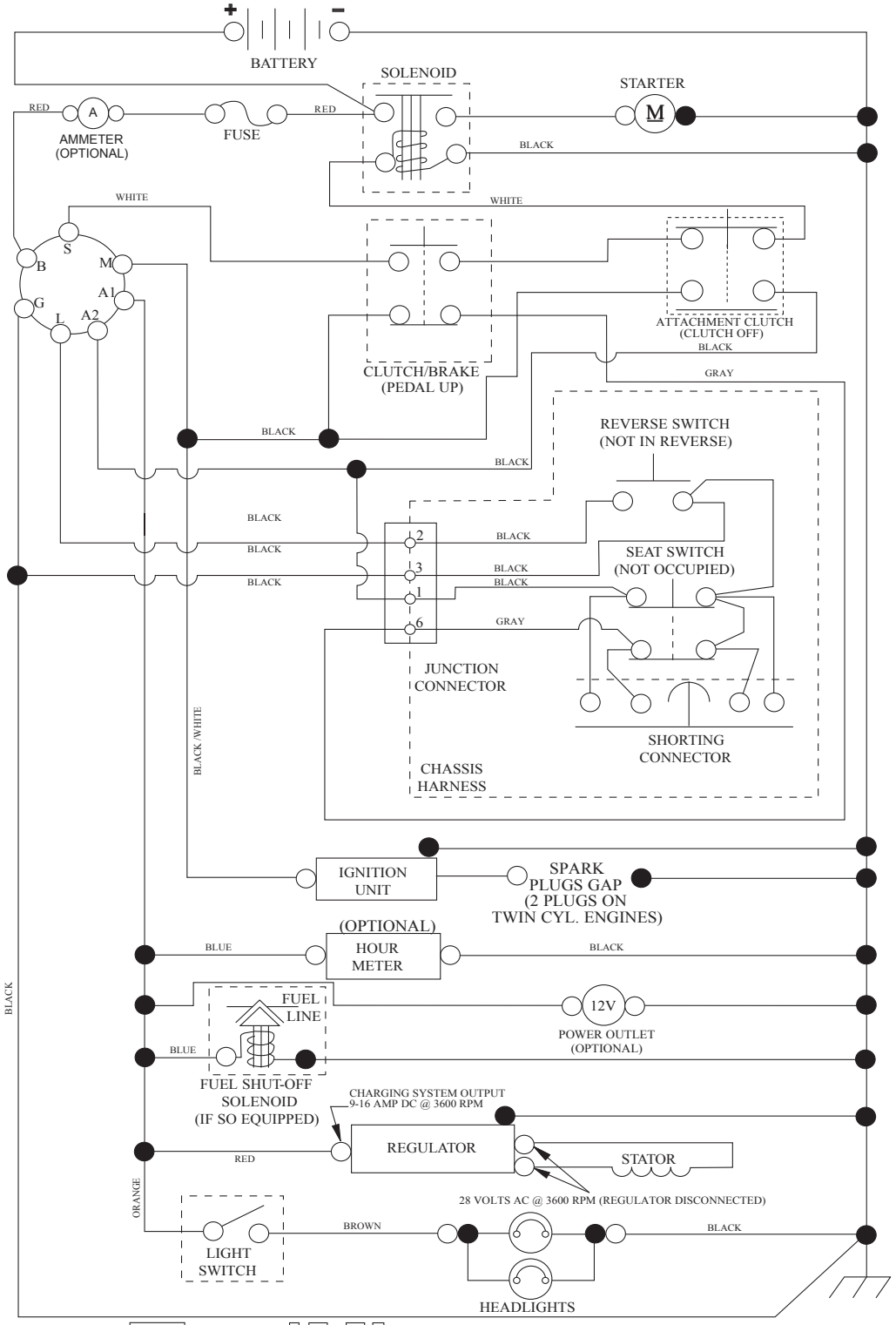


KEY NO.	PART NO.	DESCRIPTION
1	532 05 91-92	Cap Valve Tire
2	532 06 51-39	Stem Valve
3	532 13 83-36	Rim Asm. 6" Front
4	532 05 99-04	Tube Front (Service Item Only)
5	532 10 62-22	Tire Front 15 x 6-6
6	532 00 02-78	Fitting Grease (Front Wheel Only)
7	532 00 90-40	Bearing Flange (Front Wheel Only)
8	532 17 50-39	Cap Axle Blk. 1 50 x 1 00
9	532 12 46-35	Tire Rear 18 x 8.5-8
10	532 00 71-52	Tube Rear (Service Item Only)
11	532 13 83-37	Rim Asm. 8" Rear
--	532 14 43-34	Sealant, Tire (10 oz. Tube)

NOTE: All component dimensions given in U.S. inches.
1 inch = 25.4 mm

TRACTOR - - MODEL NO. TS 138L (96041043100), PRODUCT NO. 960 41 04-31 SCHEMATIC 38

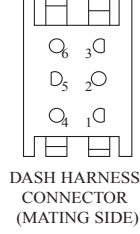
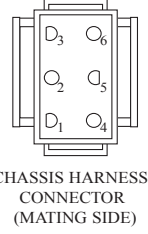
SCH10



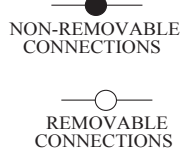
IGNITION SWITCH

POSITION	CIRCUIT	"MAKE"
OFF	M+G+A1	
RUN/OVERRIDE	B+A1	
RUN	B+A1	L+A2
START	B + S + A1	

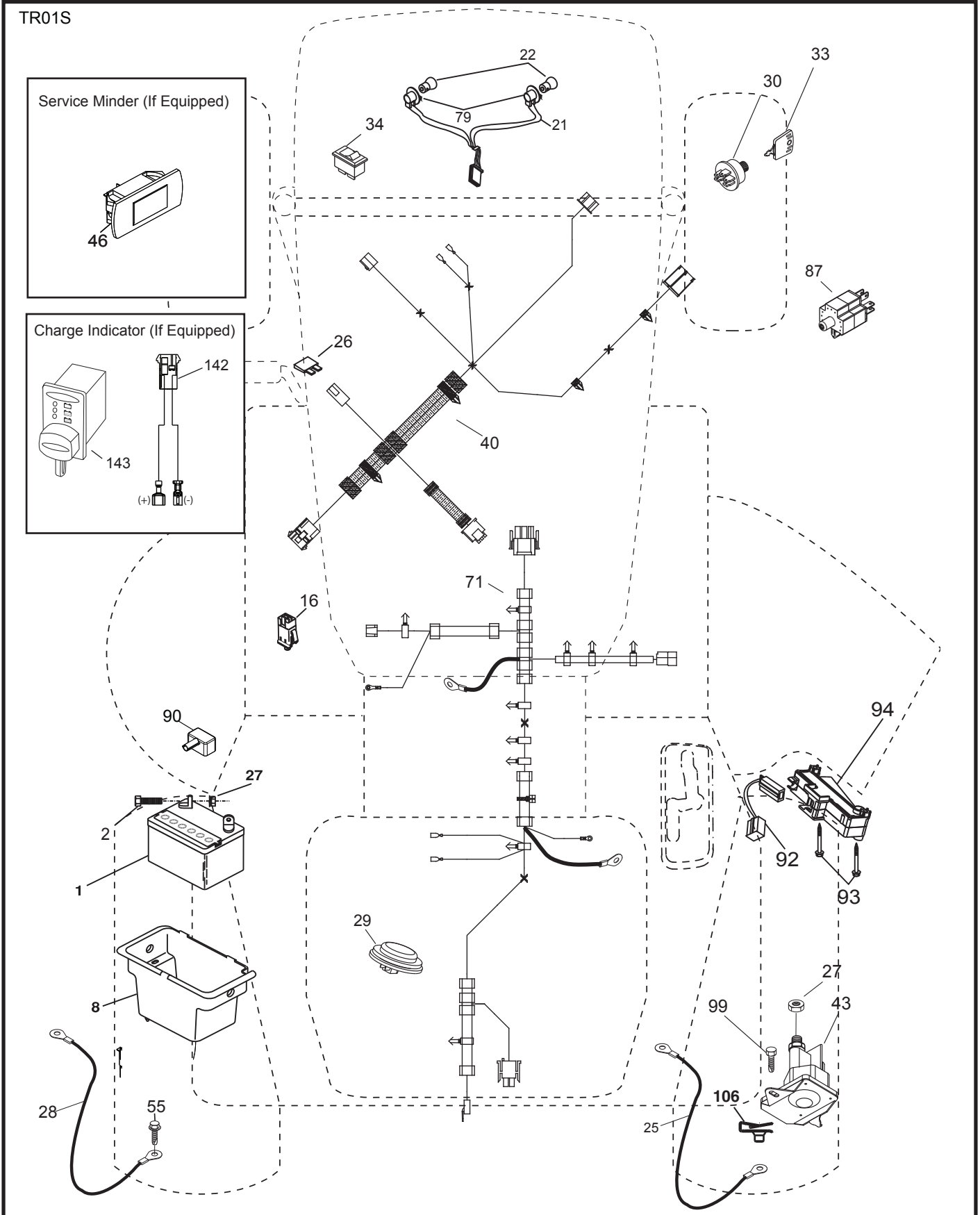
03107



WIRING INSULATED CLIPS
NOTE: IF WIRING INSULATED CLIPS WERE REMOVED FOR SERVICING OF UNIT, THEY SHOULD BE RE-INSTALLED TO PROPERLY SECURE YOUR WIRING.



**TRACTOR - - MODEL NO. TS 138L (96041043100), PRODUCT NO. 960 41 04-31
ELECTRICAL 32**

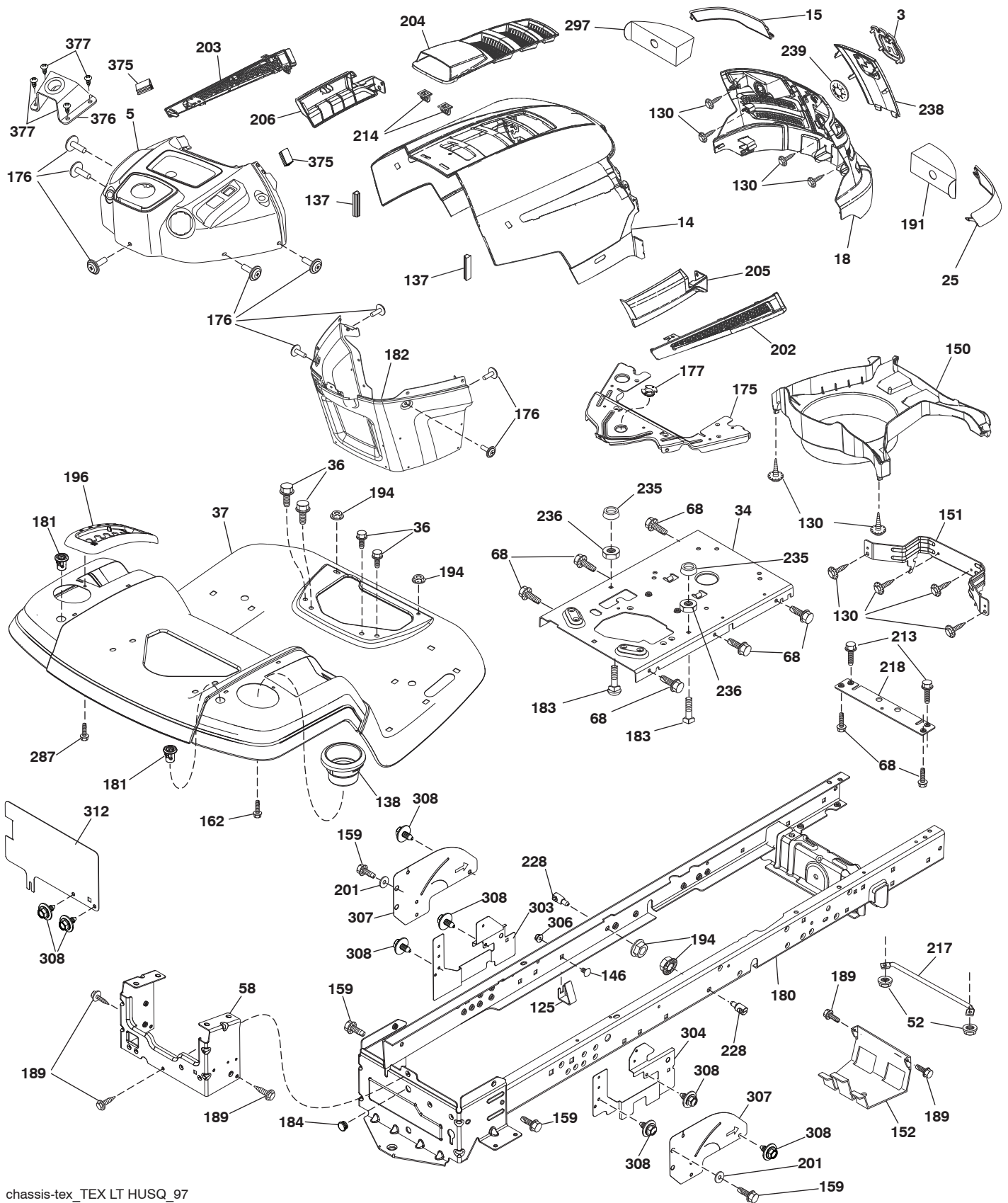


**TRACTOR - - MODEL NO. TS 138L (96041043100), PRODUCT NO. 960 41 04-31
ELECTRICAL 32**

KEY NO.	PART NO.	DESCRIPTION
1	532 16 34-65	Battery
2	874 76 04-12	Bolt Hex Head 1/4-20 x 3/4
8	532 19 32-28	Box Battery
16	532 17 61-38	Switch Interlock Push-In
21	532 40 02-52	Harness Socket Light w/4152J
22	532 00 41-52	Bulb Light
25	581 49 80-01	Cable Starter
26	532 17 51-58	Fuse
27	596 13 36-01	Nut 1/4-20
28	532 42 16-86	Cable, Ground
29	532 40 15-45	Switch, Seat
30	532 19 33-50	Switch, Ign.
33	532 41 19-35	Key/Chain
34	532 11 07-12	Switch Light/Reset
40	581 02 31-01	Harness Ign. Dash
43	582 04 28-02	Solenoid
46	594 91 91-01	Hourmeter, SRV. Minder
55	817 06 05-12	Screw Thdrol. 5/16-18 x 3/4 TYTT
71	501 13 37-01	Harness Chassis
79	532 17 52-42	Socket Asm. Bulb Twistlock
87	532 19 78-02	Switch Interlock Clutch Cable
90	532 43 53-95	Cover Terminal
92	532 19 66-15	Harness Pigtail Reverse Switch
93	596 03 96-01	Bolt, Hex, 10-14 x 2-1/8
94	532 19 18-34	Module Reverse ROS
99	817 67 04-12	Screw 1/4-20 x 3/4
106	532 17 48-14	Palnut 1/4 Lugs

NOTE: All component dimensions given in U.S. inches
1 inch = 25.4 mm

TRACTOR - - MODEL NO. TS 138L (96041043100), PRODUCT NO. 960 41 04-31
CHASSIS AND ENCLOSURES 39



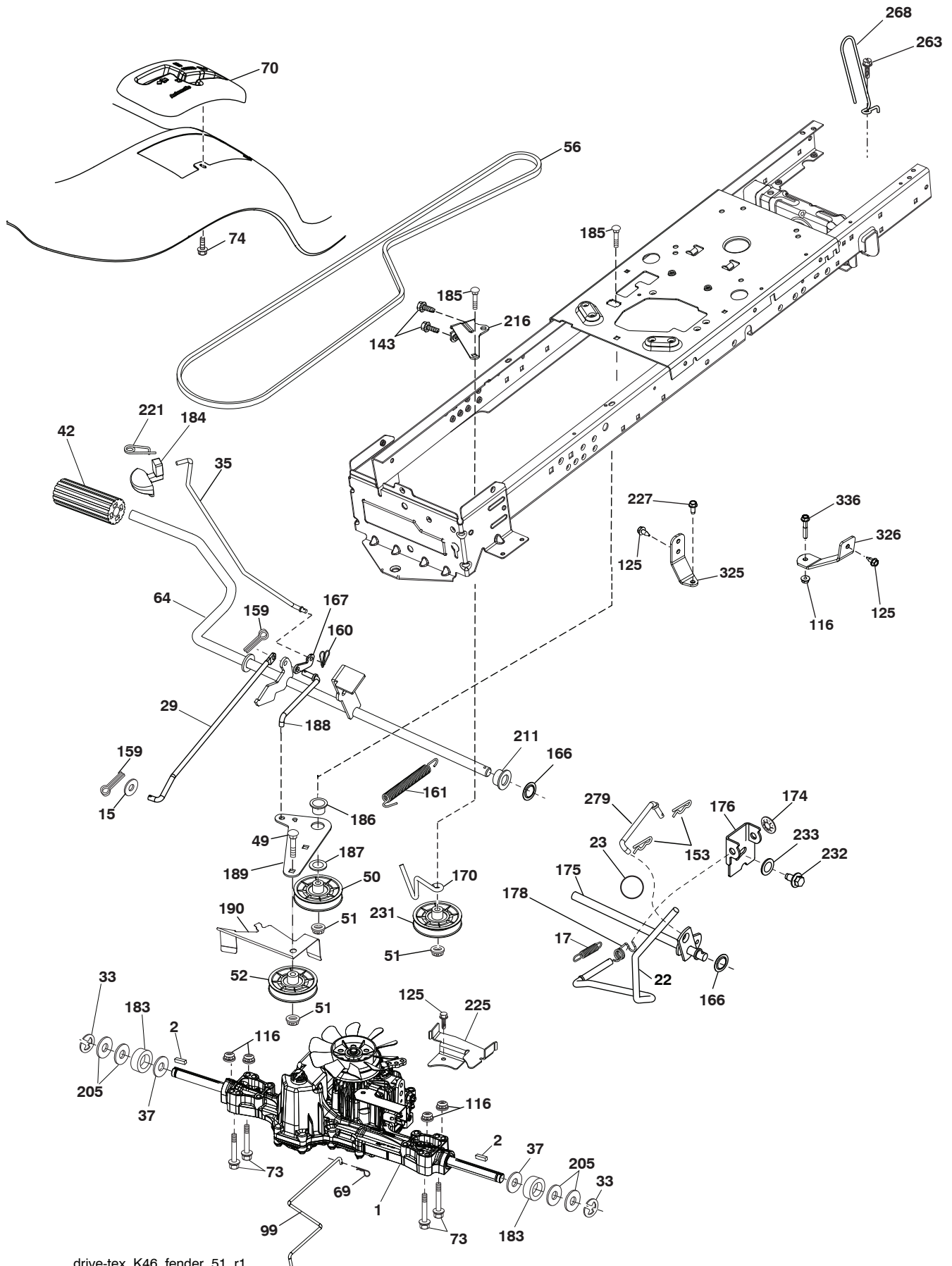
chassis-tex_TEX LT HUSQ_97

**TRACTOR - - MODEL NO. TS 138L (96041043100), PRODUCT NO. 960 41 04-31
CHASSIS AND ENCLOSURES 39**

KEY NO.	PART NO.	DESCRIPTION	KEY NO.	PART NO.	DESCRIPTION
3	581 05 63-01	Logo	194	596 13 57-01	Nut, Lock, Prvl. Torq. 5/16-18X.68
5	532 43 89-64	Dash	196	532 43 96-47	Console Asm. Deck Lift
14	532 44 12-67	Hood	201	819 13 20-16	Washer 13/32 x 1-1/4 x 16 Ga.
15	532 44 14-28	Lens LH	202	532 44 13-42	Vent Side Hood RH
18	532 43 94-21	Grille	203	532 44 13-43	Vent Side Hood LH
25	532 44 14-27	Lens RH	204	532 44 13-75	Vent Top Hood
34	580 91 08-01	Plate Engine	205	532 44 13-44	Skirt Side RH
36	817 06 05-12	Screw 5/16-18 x 3/4	206	532 44 13-45	Skirt Side LH
37	532 44 12-66	Fender	213	596 03 05-01	Bolt, Hex, Hd. 5/16-18 unc x 3/4
52	596 04 05-01	Nut, Lock, Hex. Prvl. 5/16-18	214	532 19 91-45	Clip Retainer
58	532 41 22-80	Drawbar Upper	217	532 40 91-67	Rod Pivot Hood
68	596 03 07-01	Screw, Hexagon, 5/16-18 X 1/2	218	532 19 63-95	X-Piece Hood Stop
125	581 68 48-01	Clip Fuel Line	228	593 82 40-01	Stud, W/"d"anti-rotation
130	596 32 17-01	Screw, #10 X 0.750, Bos. Thread	235	596 56 42-01	Spacer, Fender, Clr. Zn
137	532 40 75-90	Bumper Dash	236	873 93 05-00	Nut Lock 5/16-18 unc
138	532 43 97-47	Cupholder	238	532 44 13-74	Trim
146	581 85 79-01	Bolt 3/8-16 x 5/8	239	532 40 48-83	Clip Tinnerman
150	532 40 66-62	Air Duct	287	817 60 04-06	Screw Hex WASHEAD 1/4-20 x 3/8
151	532 40 78-07	Bracket Pivot	297	532 40 66-65	Insert Reflective LH
152	532 19 95-35	Shield Browning	303	589 00 81-02	Shield LH Lwr
159	817 00 06-12	Screw 3/8 - 16 x 3/4	304	589 00 90-02	Shield RH Lwr
162	596 13 41-01	Screw, Hex. Tap.1/4-15 X 1/2	306	873 90 06-00	Nut Lock 3/8-16
175	532 19 94-72	Crossmember	307	587 49 46-01	Shield Upper Pedal
176	532 40 07-76	Screw 10-24 x 5/8	308	532 17 18-77	Bolt 5/16-18 unc x 3/4
177	532 19 52-28	Bushing Steering	312	589 00 67-02	Shield Drawbar French
180	532 41 50-63	Chassis	375	586 90 82-01	Dash Clip-On Bumper
181	532 43 97-46	Bushing Mtg. Fender Cargo	376	589 45 87-01	Mount Asm. Husq LT Upper Strng
182	532 40 71-76	Dash Lower	377	589 45 53-01	Screw 10 x 1/2 ZN PL Phil Pan AB
183	595 30 57-01	Screw, Hexagon, 5/16-18 X 1-1/4			
184	587 55 41-01	Plug			
189	817 00 05-12	Screw 5/16-18 x 3/4			
191	532 41 65-01	Insert Reflective RH			

NOTE: All component dimensions given in U.S. inches.
1 inch = 25.4 mm

TRACTOR - - MODEL NO. TS 138L (96041043100), PRODUCT NO. 960 41 04-31
DRIVE **40**



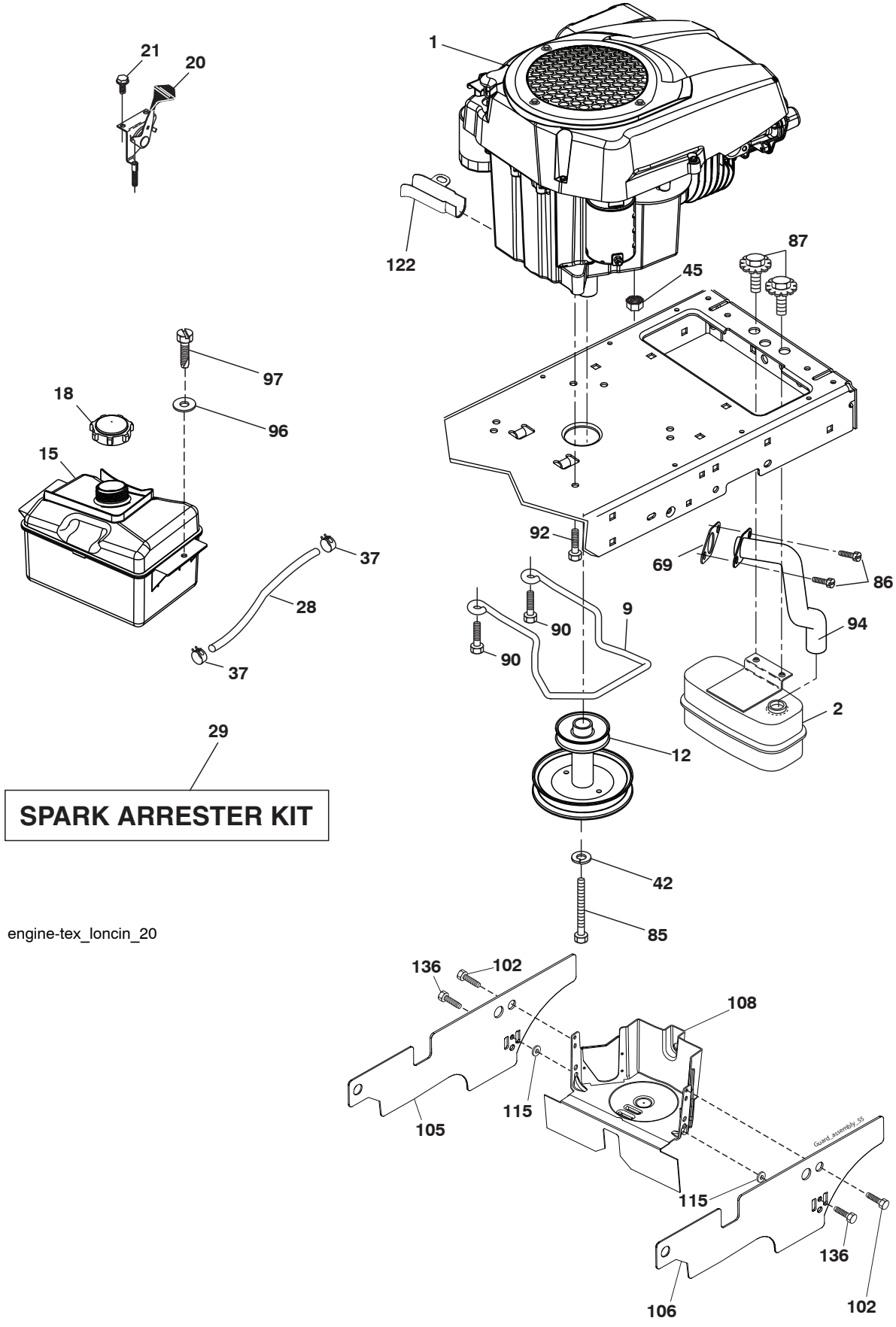
drive-tex_K46_fender_51_r1

**TRACTOR - - MODEL NO. TS 138L (96041043100), PRODUCT NO. 960 41 04-31
DRIVE **40****

KEY NO.	PART NO.	DESCRIPTION	KEY NO.	PART NO.	DESCRIPTION
1	---	Transaxle, Tufftorq K46BA (448348) (Order parts from transaxle manufacturer.)	170	532 41 34-30	Keeper Belt Centerspan
2	532 12 35-83	Key Square	174	532 19 72-89	Nut Push
15	596 56 53-01	Washer, 3/8 x 0.8 in., St., Clr	175	532 40 85-39	Shaft Asm Shift
17	532 41 36-78	Spring, Brake	176	532 19 62-14	Arm Clevis Rod Shift
22	532 19 76-60	Rod Shift	178	532 19 74-56	Spring Shift
23	532 14 08-45	Knob, Shift	183	532 13 70-57	Spacer Axle
29	532 40 38-06	Rod, Brake	184	532 41 14-84	Handle Parking Brake
33	812 00 00-01	Ring E	185	872 11 06-22	Bolt
35	596 87 48-01	Rod, Brake, Park	186	532 19 43-21	Spacer Retainer
37	532 18 89-67	Washer Harden .793 x 1.637 x 060	187	596 13 55-01	Washer 13/32 x 2, Clear, Zinc
42	532 00 88-83	Cover, Foot Pedal	188	582 21 70-01	Link Clutch Ground Drive, Long
49	596 13 62-01	Bolt, Cup Head, 3/8-16 x 3/4	189	532 19 43-17	Bellcrank Ground Drive
50	532 19 43-27	Pulley Idler Flat	190	532 19 43-18	Keeper Bellcrank Ground Drive
51	873 90 06-00	Lock Nut 3/8-16	205	532 12 17-48	Washer 25/32 x 1-5/8 x 16 Ga.
52	532 19 43-26	Idler V-Groove Offset	211	532 19 62-12	Bushing Shaft
56	592 85 52-01	V-Belt, Drive	216	532 19 61-31	Bracket Pulley Idler
64	532 19 62-00	Shaft Asm. Pedal Brake Control	221	532 40 31-87	Retainer Spring Clip Handle
69	532 42 33-03	Hairpin .059 x 1.125	225	532 40 33-19	Keeper Belt
70	532 43 99-71	Console	227	596 13 59-01	Bolt, Hex, 5/16-18 x 3/4
73	596 13 65-01	Bolt Hex 5/16-18 x 1 1/2	231	532 40 72-87	Idler V-Groove
74	596 13 41-01	Screw, 1/4-15 x 1/2	232	596 23 86-01	Bolt 7/16-14 x 1
99	582 40 45-01	Rod Bypass	233	596 13 52-01	Washer Lock
116	596 13 57-01	Nut Lock 5/16-18 x .68	263	817 00 06-12	Screw, 3/8-16 3/4
125	817 00 05-12	Screw 5/16-18 x 3/4	268	596 88 78-01	Guard, Muffler
143	596 03 07-01	Screw 5/16-18 x 1/2	279	596 91 66-01	Link Tire
153	532 00 44-97	Retainer Spring 1"	325	586 43 12-02	Torque Strap LH
159	596 02 95-01	Pin Cotter 1/8 x 3/4	326	586 00 11-02	Bracket Torque Strap RH
160	596 02 94-01	Retainer Clip	336	587 25 96-02	Bolt 5/16-18 x 1-3/4
161	532 10 57-09	Spring, Return, Clutch			
166	532 42 91-64	Nut Push .625			
167	532 40 52-57	Latch Brake Parking			

NOTE: All component dimensions given in U.S. inches
1 inch = 25.4 mm

TRACTOR - - MODEL NO. TS 138L (96041043100), PRODUCT NO. 960 41 04-31
ENGINE 24



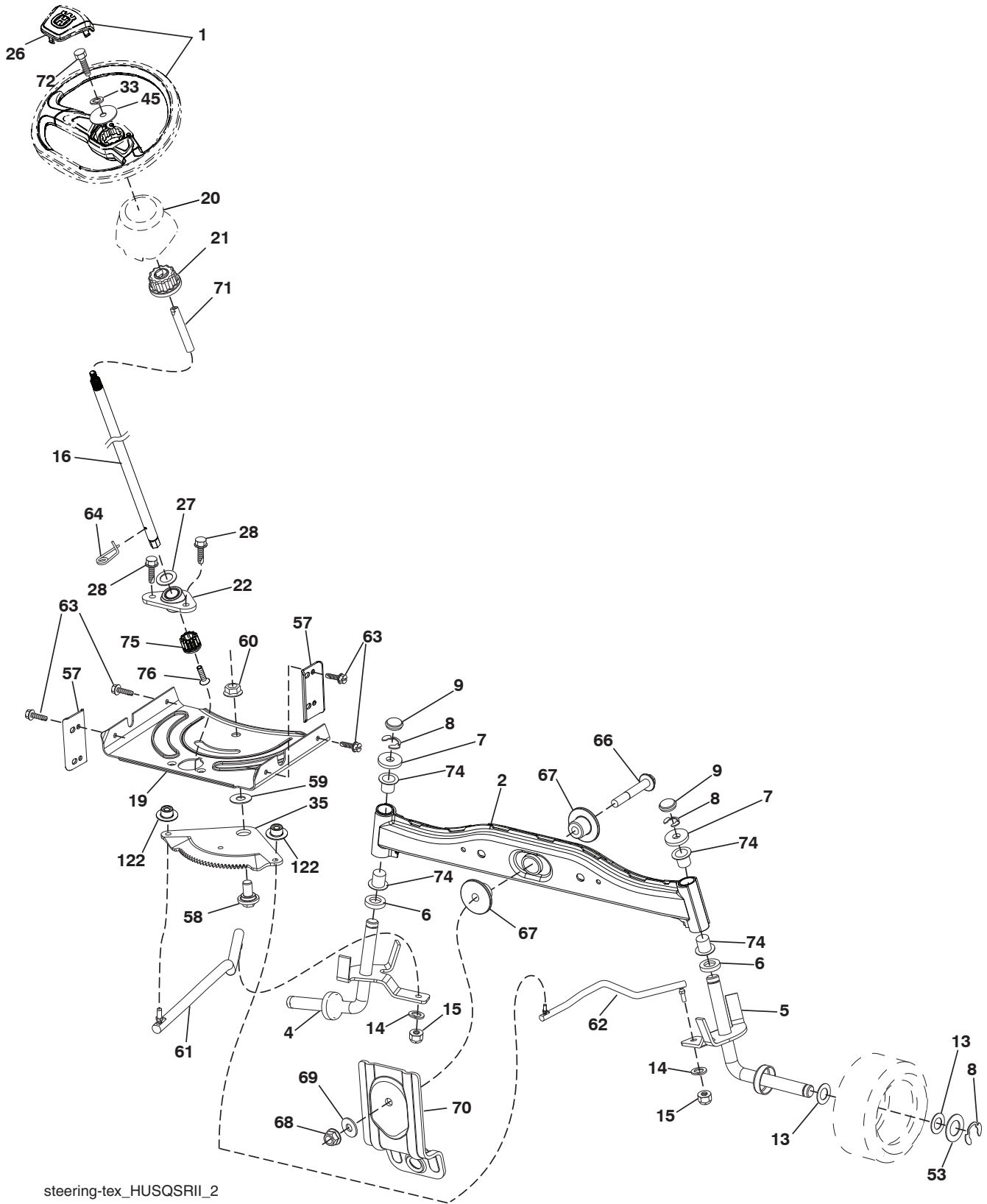
engine-tex_loncin_20

**TRACTOR - - MODEL NO. TS 138L (96041043100), PRODUCT NO. 960 41 04-31
ENGINE 24**

KEY NO.	PART NO.	DESCRIPTION
1	— — — — —	Engine Husqvarna No. LC1P92F-1 (598694001)
2	590 64 53-01	Muffler
9	501 83 26-02	Keeper Belt Engine
12	586 47 85-01	Pulley Engine
15	581 28 99-01	Tank Fuel
18	532 43 02-20	Cap Asm
20	532 18 38-97	Control Throttle
21	596 32 17-01	Screw #10 x 0.750 BOS Thread
28	532 13 70-40	Fuel Line
29	532 13 71-80	Spark Arrester Kit
37	532 12 34-87	Clamp Hose
42	596 23 89-01	Washer 7/16
45	593 35 64-01	Nut Hexagon Flanged Serrated
69	590 86 35-01	Gasket
85	501 60 65-01	Bolt Hex 7/16-20 x 4 Gr. 5-1.5 Blue
86	532 18 43-62	Nut, Hex, Flange
87	532 17 18-77	Bolt 5/16-18 unc x 3/4
90	817 00 06-16	Screw 3/8-16 x 1
92	817 12 06-16	Screw 3/8-16 x 1
94	590 86 47-01	Tube Exhaust
96	596 13 53-01	Washer, Plain, 9/32 x 7/8
97	817 67 04-12	Screw 1/4-20 x 3/4
102	817 00 05-12	Screw
105	501 26 72-02	Shield, Side, LH
106	501 26 82-02	Shield, Side, RH
108	587 17 95-09	Cover, Pulley, Eng.
115	532 43 17-61	Palnut #10
122	532 42 19-22	Extension Drain Oil
136	596 43 40-01	Screw #10 x 0.500

NOTE: All component dimensions given in U.S. inches
1 inch = 25.4 mm

TRACTOR - - MODEL NO. TS 138L (96041043100), PRODUCT NO. 960 41 04-31
STEERING ASSEMBLY 41



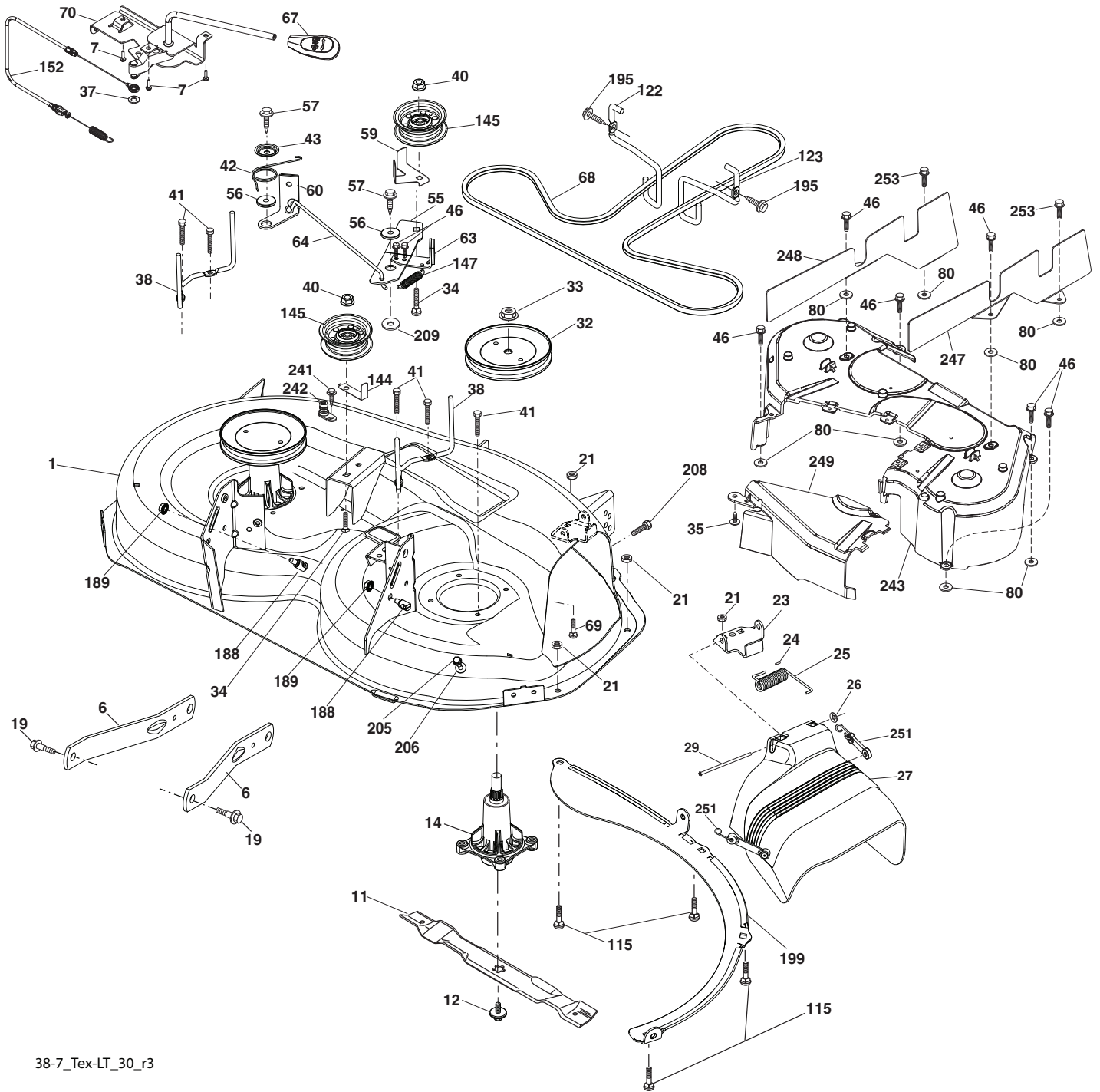
steering-tex_HUSQSR11_2

**TRACTOR - - MODEL NO. TS 138L (96041043100), PRODUCT NO. 960 41 04-31
STEERING ASSEMBLY 41**

KEY NO.	PART NO.	DESCRIPTION
1	597 86 61-01	Kit, Steering Wheel (includes steering cap)
2	532 41 81-68	Axle Asm., Front
4	532 40 30-87	Spindle Asm., LH
5	532 40 30-88	Spindle Asm., RH
6	532 00 62-66	Washer, Thrust .75 x 1.230
7	532 12 17-48	Washer 25/32 x 1-5/8 x 16 Ga.
8	812 00 00-29	Ring, Clip #T5304-75
9	532 12 12-32	Cap, Spindle
13	532 12 17-49	Washer 25/32 x 1-1/4 x 16 Ga.
14	596 23 87-01	Washer, Spring, Lock
15	873 54 06-00	Nut, Crown Lock 3/8-24 unf
16	585 86 92-02	Steering Shaft
19	532 19 47-29	Plate Steering
20	532 44 14-25	Boot, Steering
21	532 18 67-37	Adapter, Wheel Steering
22	585 02 98-02	Bearing
26	594 94 91-01	Wheel Steering Husq Cap
27	596 93 34-01	Washer
28	817 00 06-12	Screw 3/8-16 x 3/4
33	596 23 88-01	Washer Lock 5/16
35	532 19 47-32	Gear, Sector Plate
45	596 04 00-01	Washer 11/32 x 2-3/8
53	532 18 89-67	Washer Hardened .793 x 1.637 x .060
57	532 40 74-65	Bracket Upstop
58	532 19 47-47	Bolt Shoulder Sector Pivot CFM
59	532 19 47-48	Washer Thrust Sector Steering
60	873 97 10-00	Nut Flange Lock 5/8-11
61	597 04 78-02	Draglink, LH
62	597 04 79-02	Draglink, RH
63	817 00 05-12	Screw 5/16-18 x 3/4
64	532 19 98-49	Retainer Clip Spring Steering
66	871 02 07-48	Bolt Hex Fghd. 7/16-14 x 3 Serr.
67	532 19 47-37	Bushing PM Front Axle
68	873 90 07-00	Nut Lock Flange 7/16-14 Gr. 5
69	532 19 91-62	Washer 1.5 x .505 x .118
70	585 33 88-01	Bracket Deck Susp. Front
71	532 19 07-52	Shaft Extension Steering
72	596 03 97-01	Bolt Hx 5/16-18 x 4
74	532 00 33-66	Bearing Col. STRG
75	580 68 37-01	Pinion
76	580 68 36-01	Screw Head Sock
122	532 44 49-62	Cap Gear Sector

NOTE: All component dimensions given in U.S. inches
1 inch = 25.4 mm

TRACTOR - - MODEL NO. TS 138L (96041043100), PRODUCT NO. 960 41 04-31
MOWER DECK 44



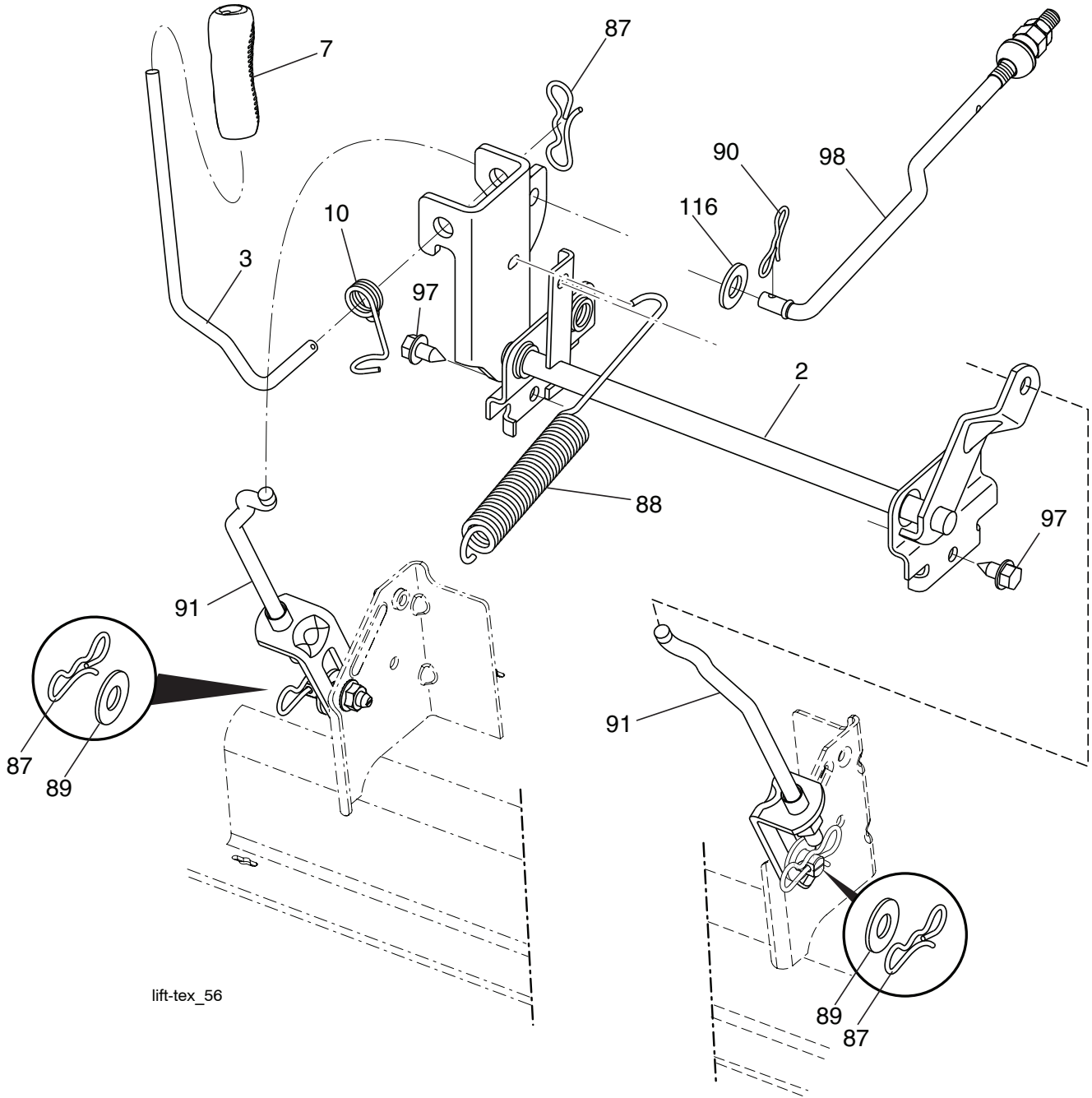
38-7_Tex-LT_30_r3

**TRACTOR - - MODEL NO. TS 138L (96041043100), PRODUCT NO. 960 41 04-31
MOWER DECK 44**

KEY NO.	PART NO.	DESCRIPTION	KEY NO.	PART NO.	DESCRIPTION
1	532 43 44-63	Kit, SVC, Weldment	68	532 40 83-81	V-Belt
6	532 19 51-86	Arm Suspension	69	596 13 64-01	Bolt, Cup, Head, 5/16-18 x 5/8
7	596 32 17-01	Screw, #10 x 0.750, Bos. Thread	70	532 40 12-46	Clutch Asm. Manual
11	581 11 63-01	Blade 38" 2N1	80	532 42 30-62	Pal Nut
12	584 30 93-01	Screw 7/16-20 x 1 Hex	115	872 11 05-05	Bolt Carr. 5/16-18x5 18 Short
14	587 81 97-01	Kit, Mandrel, Non Greasable, Tall (includes manrel and bolts)	122	532 19 72-58	Keeper Belt Engine LH
19	532 19 65-39	Bolt, Shoulder	123	532 19 72-59	Keeper Belt Engine RH
21	596 04 05-01	Nut, lock, Hex, Prvl. 5/16-18	144	532 19 34-14	Keeper Belt
23	532 19 25-57	Bracket, Deflector	145	532 19 31-97	Pulley, Idler, Flat
24	532 10 53-04	Cap, Sleeve	147	532 40 18-72	Spring Return
25	532 19 70-26	Spring, Torsion, Deflector	152	532 43 51-11	Manual Clutch Cable
26	532 11 04-52	Nut, Push	188	593 82 40-01	Stud, W/"D" Anti-Rotation
27	597 31 66-01	Shield, Deflector	189	596 13 57-01	Nut, Lock, Prvl. Torq. 5/16-18 x .68
29	595 29 70-01	Rod, Hinge	195	817 00 06-12	Screw 3/8-16 x 3/4
32	532 19 97-89	Pulley, Mandrel	199	532 40 00-95	Baffle Vortex
33	596 13 48-01	Nut, Hex, 9/16-18 x 1.010	205	817 49 04-16	Screw 1/4-20 x 1
34	596 13 61-01	Bolt, Cup, Head, 3/8-16 x 1-1/2"	206	596 13 53-01	Washer, Plain, 9/32 x 7/8, Clr. Zn
35	532 13 38-35	Fastener, Christmas Tree	208	817 67 06-08	Screw 3/8-16 x 1/2
37	596 56 53-01	Washer, 3/8 x 0.08", St. Clr. Zinc	209	596 13 55-01	Washer, 13/32 x 2, Clear, Zinc
38	532 19 95-41	Keeper Belt LH Mandrel	241	532 15 29-27	Screw TT #10-32.5 3/8 Flange
40	873 90 06-00	Nut, Lock Flg. 3/8-16 unc	242	532 41 55-98	Port Washout
41	584 95 39-01	Bolt Hex 313 - 18 x 1.19	243	532 40 65-10	Cover Assy
42	532 19 84-10	Spring Torsion Brake	247	589 00 94-02	Shield Deck RH Assy
43	532 19 72-56	Spring Torsion Retainer	248	589 00 95-02	Shield Deck LH Assy
46	532 13 77-29	Screw 1/4-20 x 5/8	249	532 40 65-14	Cover Cable Clutch
55	532 19 72-49	Arm, Idler	251	532 43 60-87	Kit Bungee (Includes Phillips head screw, weld nut, screw, bungee latch, and bungee strap)
56	532 19 90-92	Spacer, Retainer	253	532 42 73-50	Rivet
57	817 00 06-16	Screw 3/8-16 x 1	- -	532 44 33-58	Replacement Mower, Complete
59	532 14 10-43	Guard, Tuv. Idler			
60	532 19 94-71	Arm Brake Mower			
63	532 19 94-70	Arm Brake Mower			
64	532 19 97-90	Link Brake			
67	532 40 30-12	Handle Clutch Cable			

NOTE: All component dimensions given in U.S. inches.
1 inch = 25.4 mm

**TRACTOR - - MODEL NO. TS 138L (96041043100), PRODUCT NO. 960 41 04-31
MOWER LIFT 45**



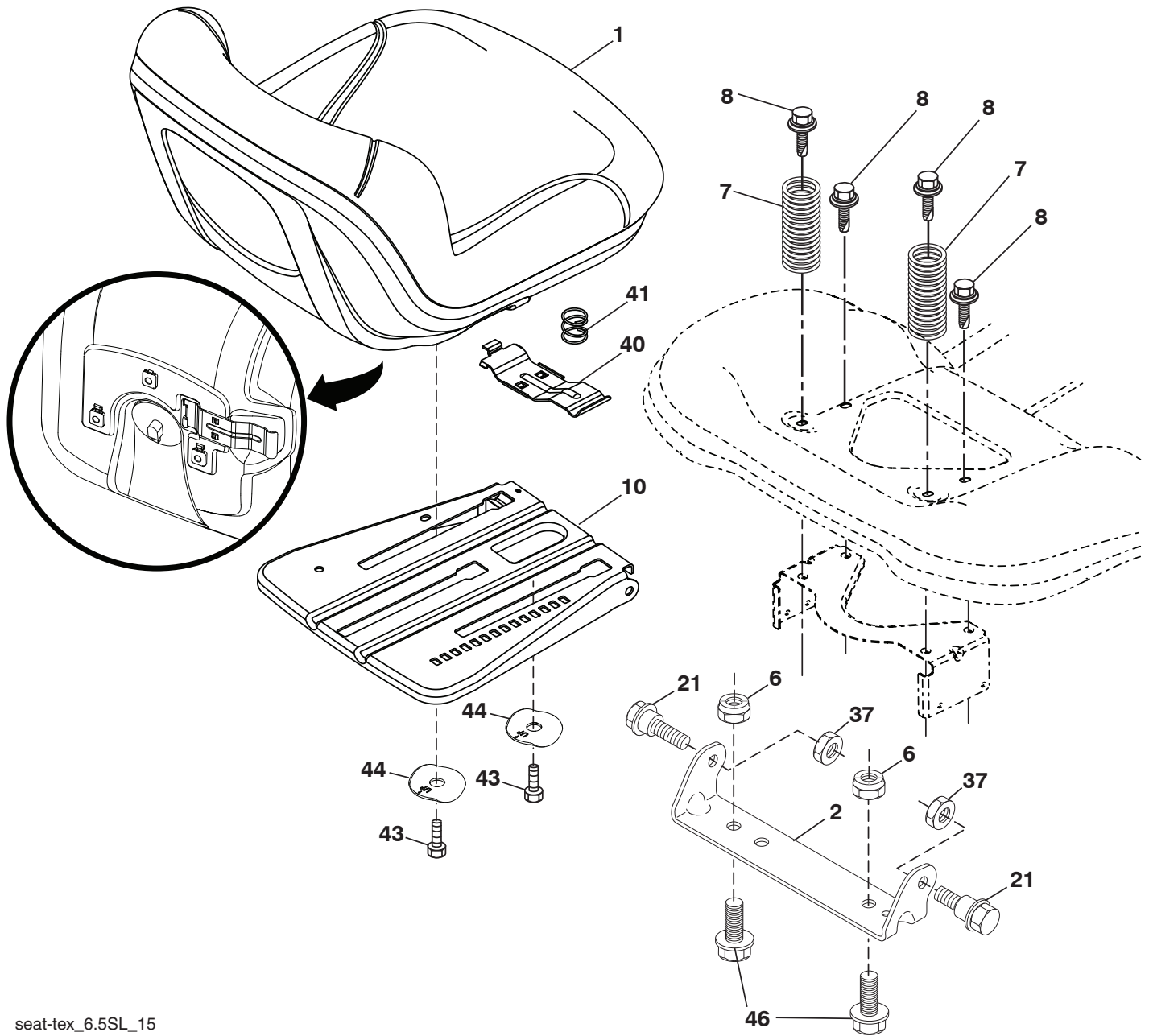
lift-tex_56

KEY NO.	PART NO.	DESCRIPTION
2	532 42 20-27	Shaft Asm., Lift
3	594 01 80-01	Lever, Lift, Handle
7	580 96 23-01	Grip, Lever
10	532 19 63-14	Spring Torsion
87	532 19 42-09	Pin Cotter 7/16 Bow Tie Lock
88	532 41-07-10	Spring Lift Assist
89	819 19 19-12	Washer Clear Zinc
90	532 19 42-08	Pin Cotter 5/16 Bow Tie Lock

KEY NO.	PART NO.	DESCRIPTION
91	589 46 48-03	Link Lift Susp. Mower Rear
97	817 00 06-12	Screw 3/8-16 x .75 Smgml. Tap/R.Z
98	581 50 69-03	Link Lift Susp. Front Mower
116	594 97 65-01	Washer 15/32 x 15/16 x .065

NOTE: All component dimensions given in U.S. inches
1 inch = 25.4 mm

**TRACTOR - - MODEL NO. TS 138L (96041043100), PRODUCT NO. 960 41 04-31
SEAT ASSEMBLY 42**



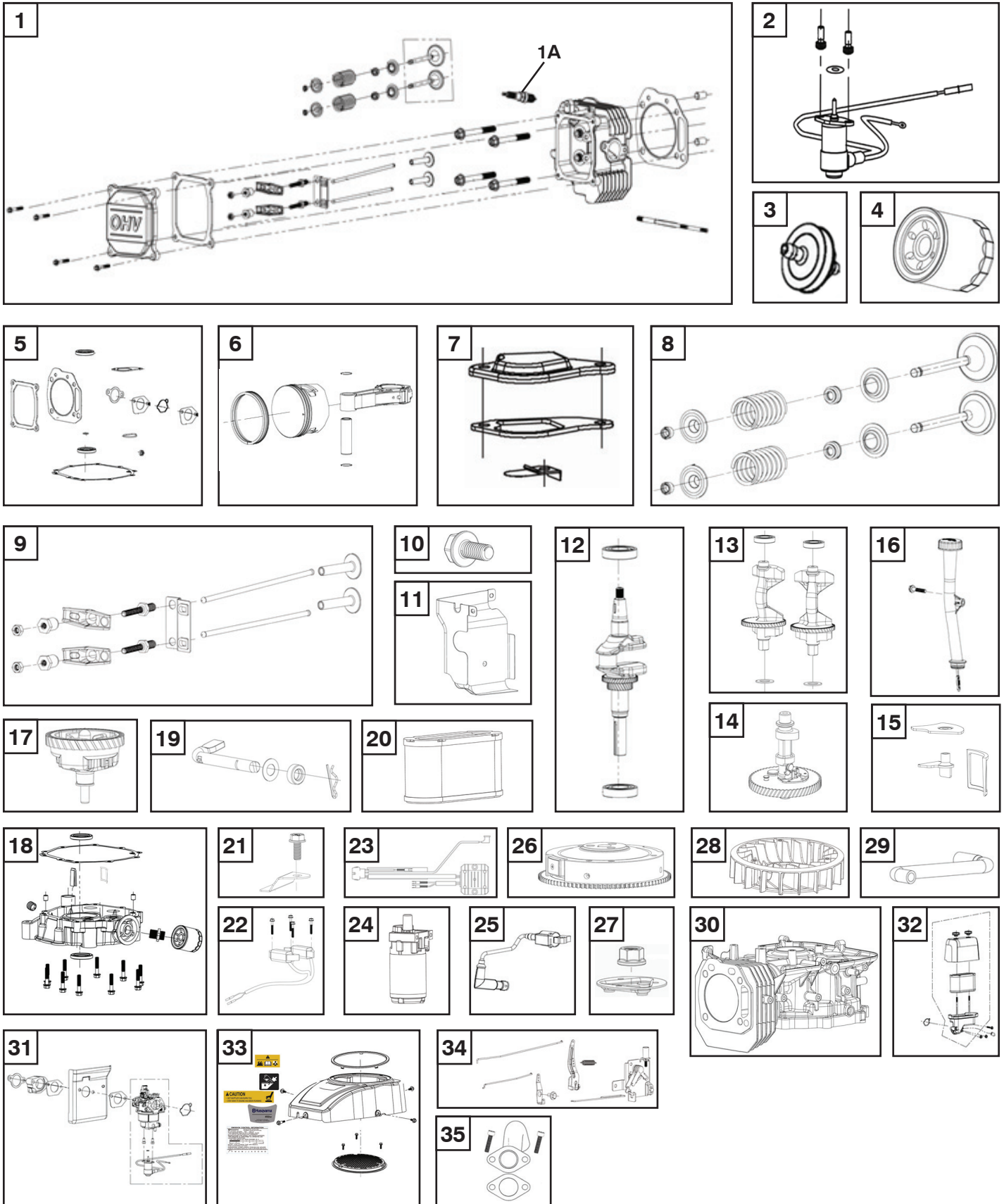
seat-tex_6.5SL_15

KEY NO.	PART NO.	DESCRIPTION
1	532 43 98-19	Seat
2	532 18 01-66	Bracket Pivot Fender
6	873 80 06-00	Nut, Lock w/Ins. 3/8-16 unc
7	589 48 35-01	Spring, Seat Cprsn.
8	532 17 18-77	Bolt 5/16-18 unc x 3/4 w/Sems.
10	596 65 74-02	Plate, Seat
21	587 90 78-01	Bolt, Shoulder 5/16-18 x 5/8
37	596 58 37-02	Nut
40	532 19 76-61	Handle

KEY NO.	PART NO.	DESCRIPTION
41	532 19 82-00	Spring
43	874 76 06-12	Bolt 3/8-16 unc x 3/4
44	501 05 18-01	Washer Winged
46	588 09 04-01	Bolt 3/8-16 X 1, 1.25 OD

NOTE: All component dimensions given in U.S. inches.
1 inch = 25.4 mm

**TRACTOR - - MODEL NO. TS 138L (96041043100), PRODUCT NO. 960 41 04-31
HUSQVARNA ENGINE (452 CC)**



**TRACTOR - - MODEL NO. TS 138L (96041043100), PRODUCT NO. 960 41 04-31
HUSQVARNA ENGINE (452 CC)**

ITEM NO.	PART NO.	DESCRIPTION	QTY.
1	590904901	CYLINDER HEAD COMP KIT	1
1A	591165501	SPARK PLUG	1
2	590905101	SOLENOID KIT	1
3	591165801	FUEL FILTER	1
4	591165901	OIL FILTER	1
5	590905401	GASKET AND SEAL KIT	1
6	590905501	PISTON AND RING SET, PISTON KIT	1
7	590905601	COVER COMP BREATHER AND STRAINER FUEL KIT	1
8	590971701	VALVE KIT	1
9	590971801	ROCKER ARM KIT	1
10	590971901	HEXAGON BOLT WITH FLANGE	1
11	590972101	AIR DEFLECTOR	1
12	590972201	CRANKSHAFT KIT	1
13	590972301	BALANCING SHAFT KIT	1
14	590972401	CAMSHAFT ASSY	1
15	590972501	OIL STRAINER KIT	1
16	590972601	FILL TUBE KIT	1
17	590972701	GOVERNER GEAR KIT	1
18	590972801	CRANKCASE COVER KIT	1
19	590972901	SPEED REGULATING ARM KIT	1
20	590973101	AIR FILTER	1
21	590973501	PRESSING PLATE KIT	1
22	590973601	CHARGING ARMATURE KIT	1
23	590973801	VOLTAGE RECTIFIER	1
24	590974301	STARTER MOTOR KIT	1
25	590975801	IGNITION COIL ASSEMBLY	1
26	590978001	FLYWHEEL COMP	1
27	590992201	STARTING DISC KIT	1
28	590992301	IMPELLER	1
29	590965901	BREATHER TUBE	1
30	592951101	CRANKCASE BODY KIT	1
31	593098301	CARBURETOR KIT - US	1
32	593098501	AIR CLEANER KIT	1
33	593098601	START COVER KIT	1
34	593098801	THROTTLE LEVER KIT - US	1
35	592952001	EXHAUST PIPE KIT	1

