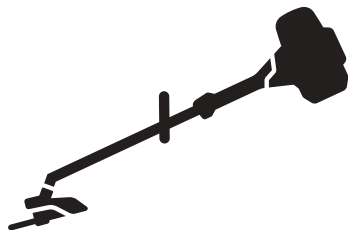




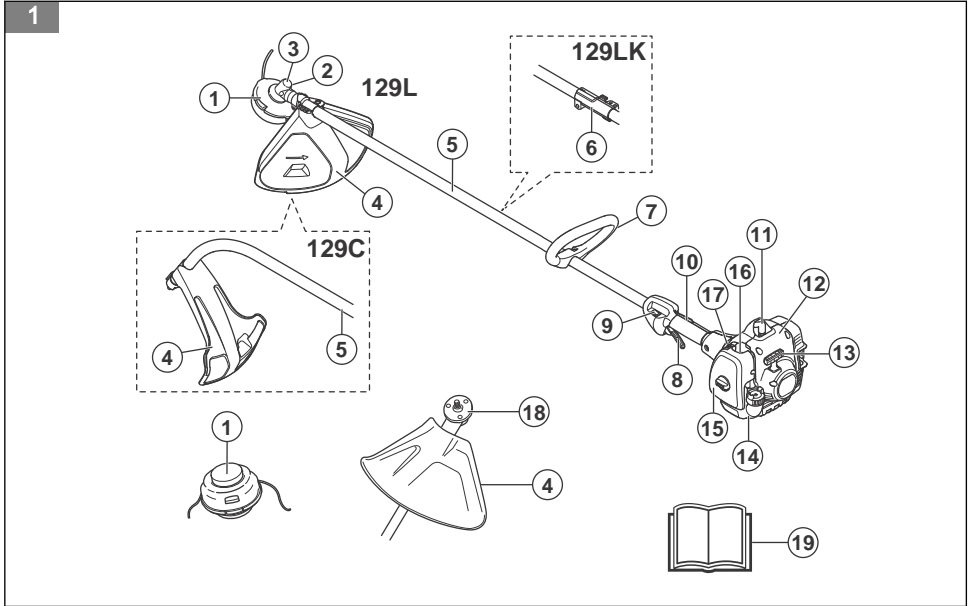
# Husqvarna®



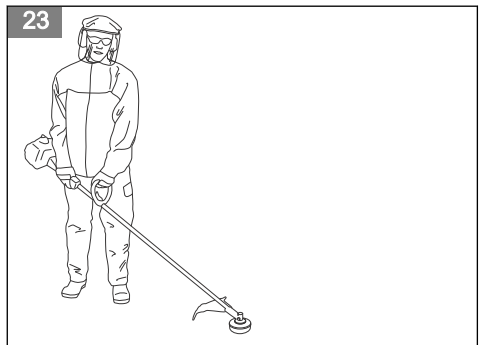
## 129C, 129L, 129LK

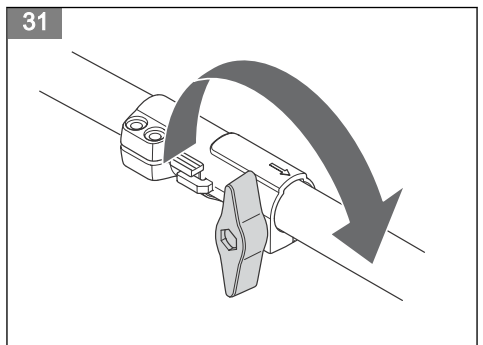
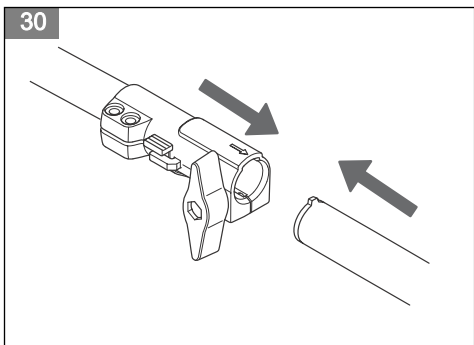
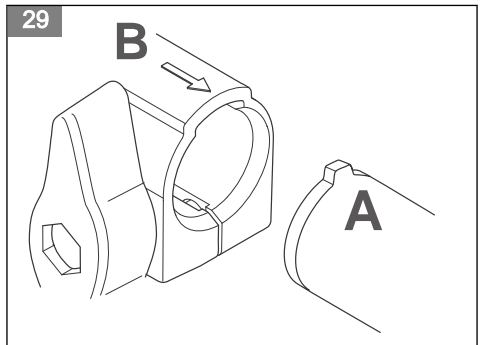
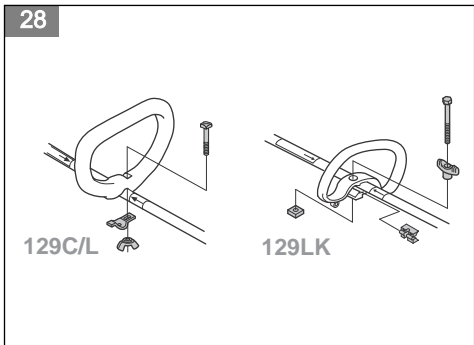
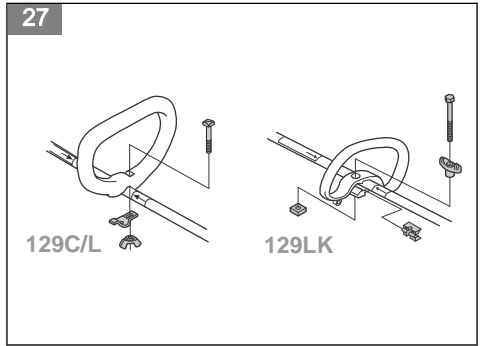
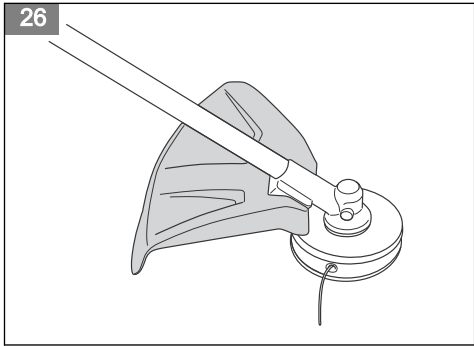
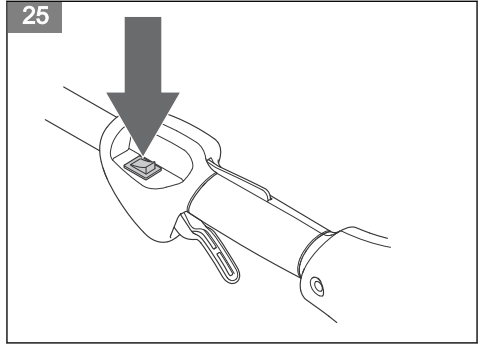
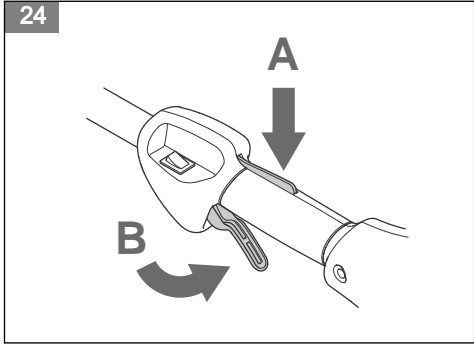


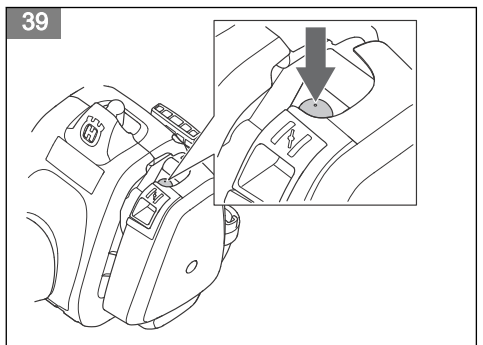
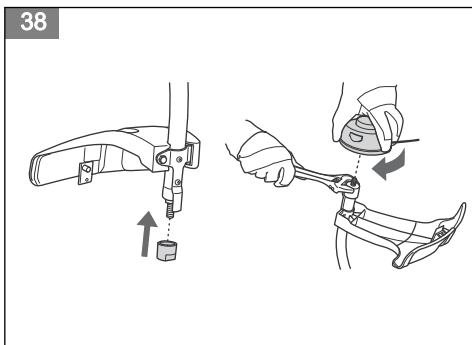
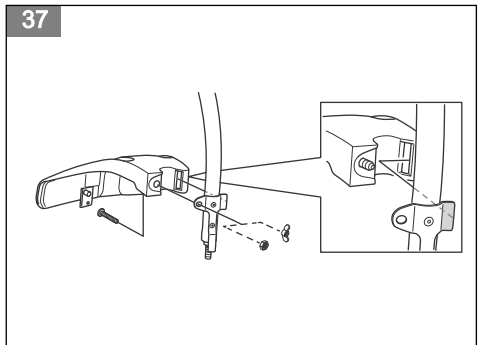
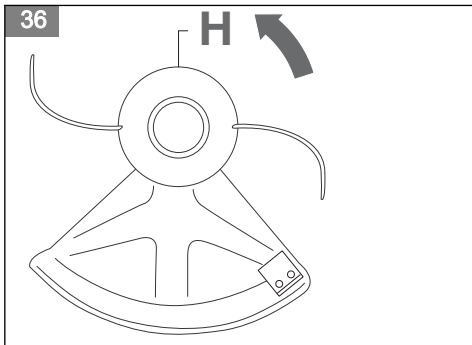
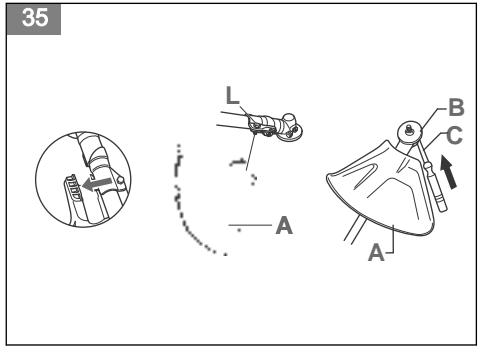
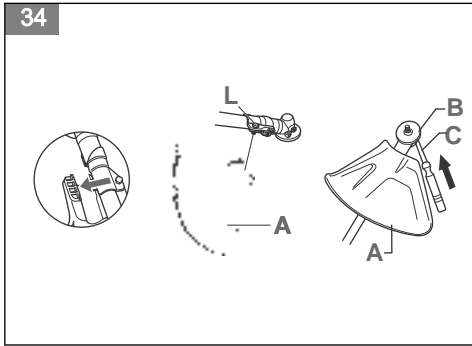
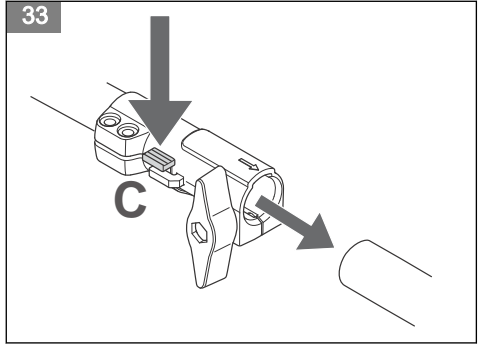
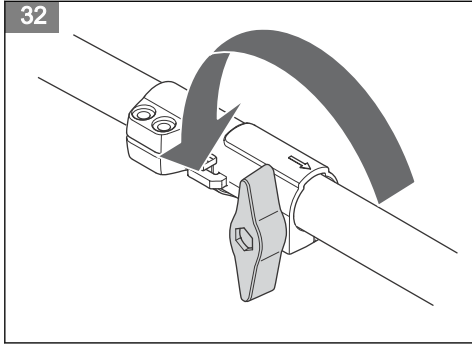
EN	Operator's manual	8-17
DE	Bedienungsanweisung	18-28
FR	Manuel d'utilisation	29-39
ES	Manual de usuario	40-50
IT	Manuale dell'operatore	51-61
NL	Gebbruiksaanwijzing	62-71
SV	Bruksanvisning	72-81
NO	Bruksanvisning	82-91
DA	Brugsanvisning	92-101
FI	Käyttöohje	102-111
PT	Manual do utilizador	112-122
EL	Οδηγίες χρήσης	123-133
CS	Návod k použití	134-143
HR	Priručnik za korištenje	144-153
SL	Navodila za uporabo	154-163
PL	Instrukcja obsługi	164-173
SK	Návod na obsluhu	174-183
HU	Használati utasítás	184-193
RU	Руководство по эксплуатации	194-204
ET	Kasutusjuhend	205-214
LT	Operatoriaus vadovas	215-224
LV	Lietošanas pamācība	225-234
BG	Ръководство за експлоатация	235-245
RO	Instrucțiuni de utilizare	246-255
TR	Kullanım kılavuzu	256-265
UK	Посібник користувача	266-276
SR	Priručnik za rukovaoca	277-286
BS	Korisnički priručnik	287-296



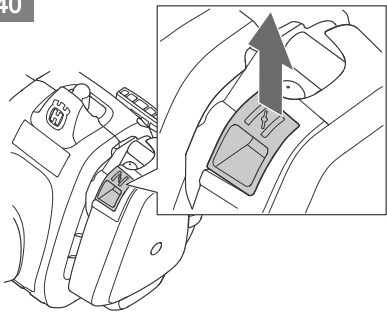
<b>2</b>		<b>3</b>		<b>4</b>		<b>5</b>		<b>6</b>		<b>7</b>	
<b>8</b>		<b>9</b>		<b>10</b>		<b>11</b>		<b>12</b>		<b>13</b>	
<b>14</b>		<b>15</b>		<b>16</b>		<b>17</b>		<b>18</b>		<b>19</b>	
<b>20</b>		<b>21</b>									







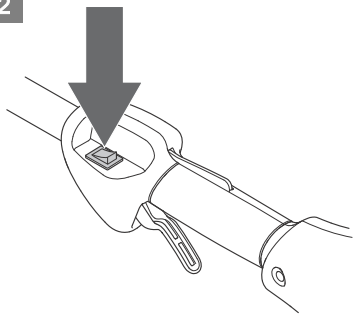
40



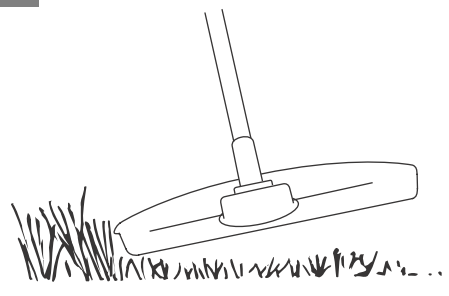
41



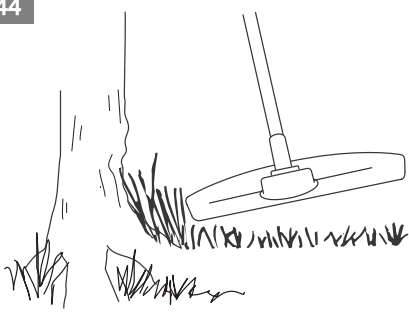
42



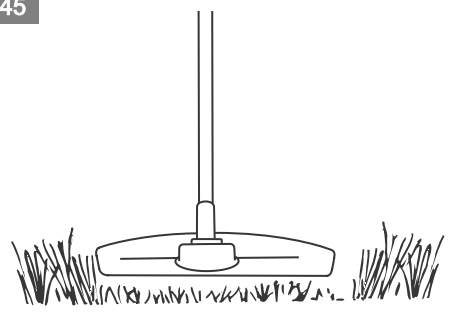
43



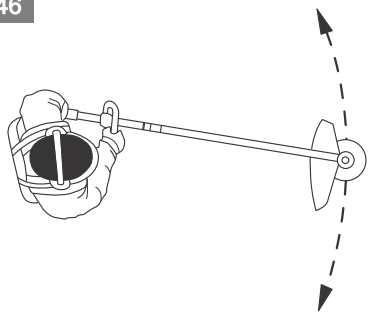
44



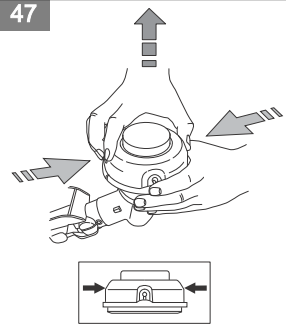
45

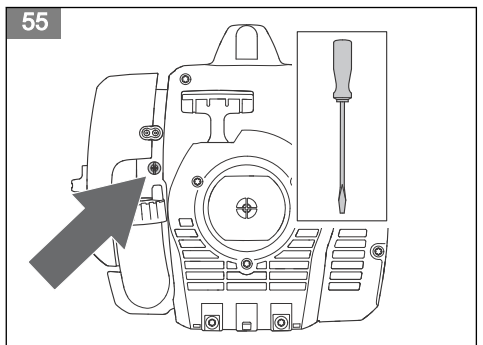
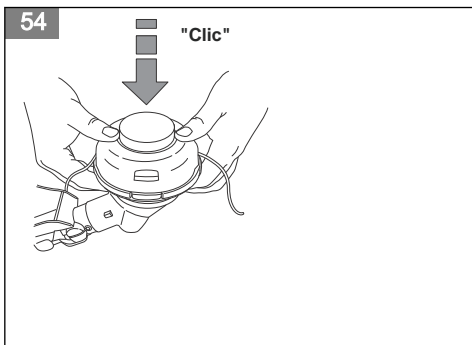
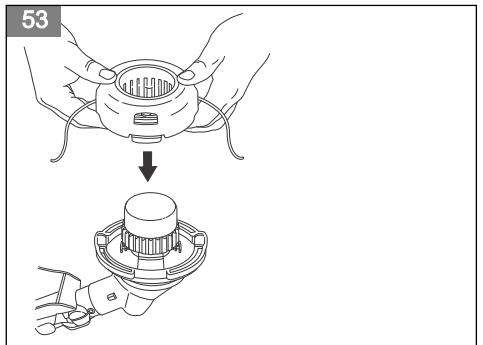
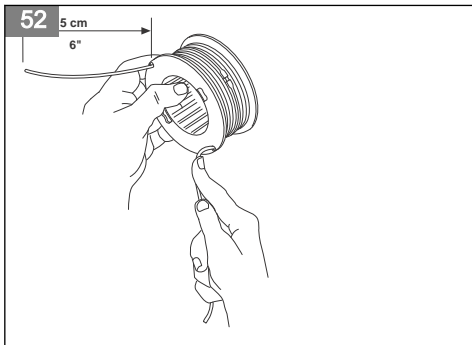
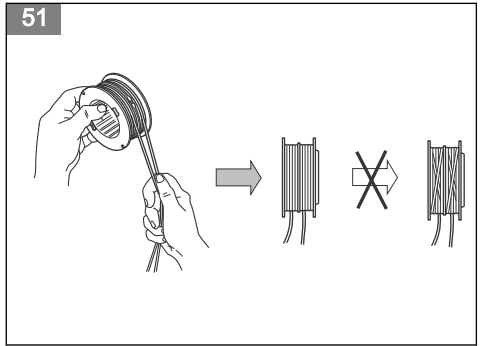
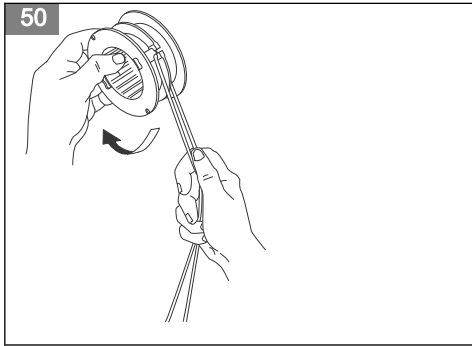
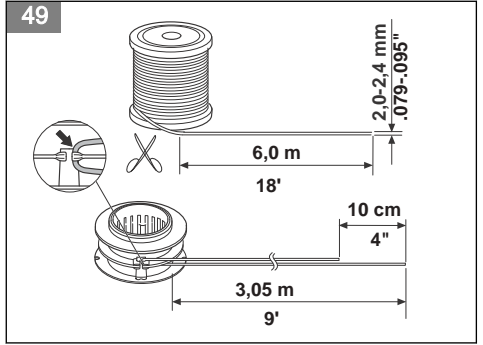
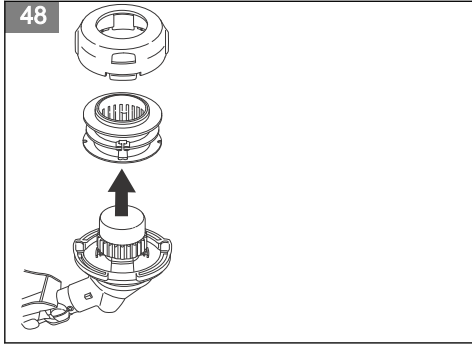


46

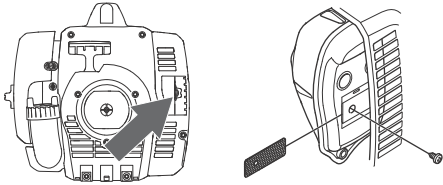


47

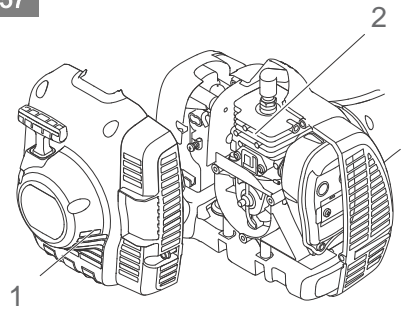




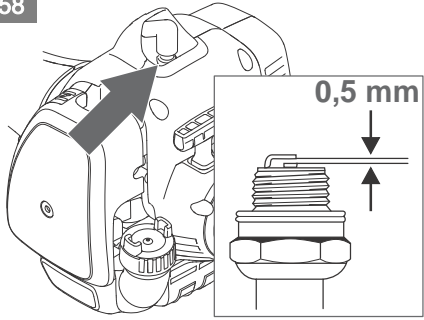
56



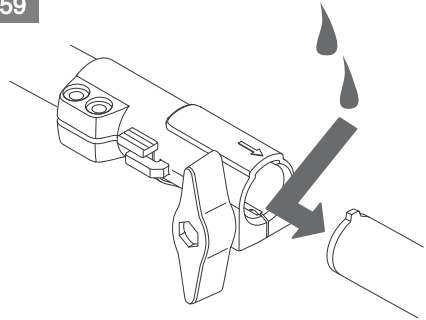
57



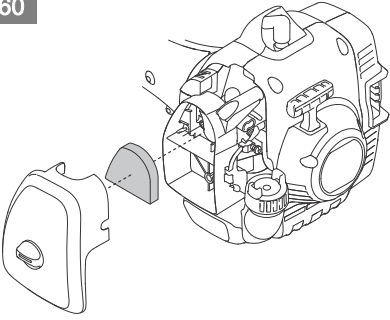
58



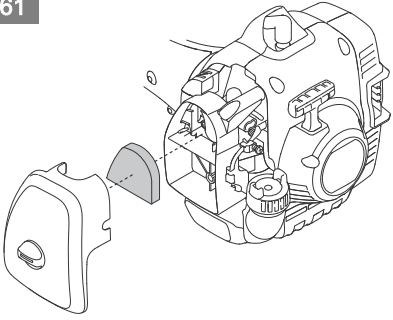
59



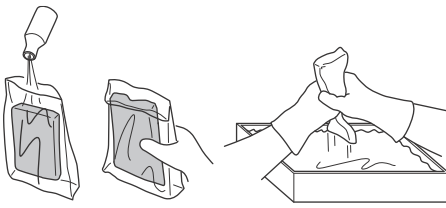
60



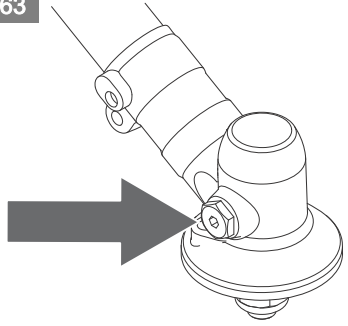
61



62



63



---

# Contents

---

INTRODUCTION.....	8	TECHNICAL DATA.....	15
SAFETY.....	9	ACCESSORIES.....	16
ASSEMBLY.....	11	CONTENTS OF THE EC DECLARATION OF CONFORMITY.....	16
OPERATION.....	12	.....	0
MAINTENANCE.....	14		

---

## INTRODUCTION

---

### Operator's manual

The initial language of this operator's manual is English. Operator's manuals in other languages are translations from English.

### Overview

(Fig. 1 )

1. Trimmer head
2. Grease filler cap
3. Bevel gear
4. Cutting attachment guard
5. Shaft
6. Shaft coupling
7. Loop handle
8. Throttle trigger
9. Stop switch
10. Throttle trigger lockout
11. Spark plug cap, spark plug
12. Starter housing
13. Starter rope handle
14. Fuel tank
15. Air filter cover
16. Primer bulb
17. Choke control
18. Drive disc
19. Operator's manual

### Symbols on the product

(Fig. 2 ) Warning

(Fig. 3 ) Read this manual.

(Fig. 4 ) Use approved head protection.

(Fig. 5 ) Use approved hearing protection.

(Fig. 6 ) Use approved eye protection.

(Fig. 7 ) Use approved protective gloves.

(Fig. 8 ) Use protective shoes/boots.

(Fig. 9 ) The product can cause objects to eject,  
which can cause damage to the eyes.

(Fig. 10 ) The product can cause objects to eject,  
which can cause damage to the eyes.

(Fig. 11 ) Max. speed of the output shaft.

(Fig. 12 ) Safe distance

(Fig. 13 ) Only use an approved trimmer line. Do not  
use a blade.

(Fig. 14 ) Do not use a cutting attachment made of  
metal.

(Fig. 15 ) Make sure that long hair is put up above  
your shoulders.

(Fig. 16 ) The arrows show the limits for the position of  
the handle.

(Fig. 17 ) Sound power level.

(Fig. 18 ) Noise level

(Fig. 19 ) The product agrees with the applicable EC  
directives.

(Fig. 20 ) The product agrees with the applicable EAC  
directives.

(Fig. 21 ) The product agrees with the applicable  
Ukraine directives.

---

**Note:** Other symbols/decals on the product refer to  
certification requirements for other commercial areas.

---

### Product liability

As referred to in the product liability laws, we are not  
liable for damages that our product causes if:

- the product is incorrectly repaired.



- the product is repaired with parts that are not from the manufacturer or not approved by the manufacturer.
- the product has an accessory that is not from the manufacturer or not approved by the manufacturer.
- the product is not repaired at an approved service center or by an approved authority.

---

## SAFETY

---

### Safety definitions

The definitions below give the level of severity for each signal word.



**WARNING:** Injury to persons.



**CAUTION:** Damage to the product.

**Note:** This information makes the product easier to use.

### General safety instructions

- Use the product correctly. Injury or death is a possible result of incorrect use. Only use the product for the tasks found in this manual. Do not use the product for other tasks.
- Obey the instructions in this manual. Obey the safety symbols and the safety instructions. If the operator does not obey the instructions and the symbols, injury, damage or death is a possible result.
- Do not discard this manual. Use the instructions to assemble, to operate and to keep your product in good condition. Use the instructions for correct installation of attachments and accessories. Only use approved attachments and accessories.
- Do not use a damaged product. Obey the maintenance schedule. Only do the maintenance work that you find an instruction about in this manual. An approved service center must do all other maintenance work.
- This manual cannot include all situations that can occur when you use the product. Be careful and use your common sense. Do not operate the product or do maintenance to the product if you are not sure about the situation. Speak to a product expert, your dealer, service agent or approved service center for information.
- Disconnect the spark plug cable before you assemble the product, put the product into storage or do maintenance.
- Do not use the product if it is changed from its initial specification. Do not change a part of the product without approval from the manufacturer. Only use parts that are approved by the manufacturer. Injury or death is a possible result of incorrect maintenance.

- Do not breathe in the fumes from the engine. Long term inhalation of the engine's exhaust fumes is a health risk.
- Do not start the product indoors or near flammable material. The exhaust fumes are hot and can contain a spark which can start a fire. Not sufficient airflow can cause injury or death because of asphyxiation or carbon monoxide.
- When you use this product the engine makes an electromagnetic field. The electromagnetic field can cause damage to medical implants. Speak to your physician and medical implant manufacturer before you operate the product.
- Do not let a child operate the product. Do not let a person, without knowledge of the instructions operate the product.
- Make sure that you always monitor a person, with decreased physical capacity or mental capacity, that uses the product. A responsible adult must be there at all times.
- Lock the product in an area that children and unapproved persons cannot access.
- The product can eject objects and cause injuries. Obey the safety instructions to decrease the risk of injury or death.
- Do not go away from the product when the engine is on.
- The operator of the product is responsible if an accident occurs.
- Make sure that parts are not damaged before you use the product.
- Make sure that you are at a minimum 15 m (50 ft) away from other persons or animals before you use the product. Make sure that a person in adjacent area knows that you will use the product.
- Refer to national or local laws. They can prevent or decrease the operation of the product in some conditions.
- Do not use the product if you are fatigued or influenced by alcohol, drugs or medicine. They can have effects on your vision, alertness, coordination or judgment.

### Safety instructions for operation

- Make sure the product is fully assembled before you use it.
- Before a start, move the product 3 m (10 ft) away from the position where you filled the fuel tank. Put the product on a flat surface. Make sure that the cutting attachment does not touch the ground or other objects.

- The product can cause objects to eject, which can cause damage to the eyes. Always use an approved eye protection when you operate the product.
- Be careful, a child can come near the product without your knowledge during operation.
- Do not operate the product if there are persons in the work area. Stop the product if a person goes into the work area.
- Make sure that you are always in control of the product.
- Do not use the product if you cannot receive aid if an accident occurs. Always make sure others know you will operate the product before you start to operate the product.
- Do not turn with the product before you make sure that no persons or animals are in the safety area.
- Remove all unwanted materials from the work area before you start. If the cutting attachment hits an object, the object can eject and cause injury or damage. Unwanted material can wind around the cutting attachment and cause damage.
- Do not use the product in bad weather (fog, rain, strong winds, risk of lightning or other weather conditions.). Dangerous conditions (such as slippery surfaces) can occur because of bad weather.
- Make sure that you can move freely and work in a stable position.

(Fig. 22 )

- Make sure that you cannot fall when you use the product. Do not tilt when you operate the product.
- Always hold the product with your two hands. Hold the product on the right side of your body.

(Fig. 23 )

- Operate the product with the cutting attachment below your waist.
- If the choke control is in the choke position when the engine starts, the cutting attachment starts to turn.
- Do not touch the bevel gear after the engine stops. The bevel gear is hot after the engine stops. Hot areas can cause injury.
- Stop the engine before you move the product.
- Do not put down the product with the engine on.
- Before you remove the unwanted materials from the product, stop the engine and wait until the cutting attachment stops. Let the cutting attachment stop before you or an aid remove the cut material.

## Personal protective equipment

- Always use correct protective equipment when you operate the product. The personal protective equipment does not erase the risk of injury. The personal protective equipment decreases the grade of injury if an accident occurs.
- Always use an approved eye protection while you operate the product.
- Do not operate the product with bare feet or with open shoes. Always use heavy-duty slip-resistant boots.

- Use heavy, long pants.
- If it is necessary, use approved protective gloves.
- Use a helmet if it is possible that objects fall on your head.
- Always use approved ear protection while you operate the product. Noise for a long period can cause noise-induced hearing loss.
- Make sure that you have a first aid kit near.

## Protective devices on the product

- Make sure that you regularly do the maintenance to the product.
  - The life of the product increases.
  - The risk of accidents decreases.

Let an approved dealer or an approved service center regularly examine the product to do adjustments or repairs.

- Do not use a product with damaged protective equipment. If the product is damaged, speak to an approved service center.

## Throttle trigger lockout

The throttle trigger lockout locks the throttle trigger. (Fig. 24 )

Push the throttle trigger lockout (A) to release the throttle trigger (B). When you release the handle, the throttle trigger lockout and the throttle trigger go back to their initial positions.

1. Make sure that the throttle trigger (B) is locked at idle when you release the throttle trigger lockout (A).
2. Push the throttle trigger lockout (A) and make sure that it goes back to its initial position when you release it.
3. Push the throttle trigger (B) and make sure that it goes back to its initial position when you release it.

Start the engine, and then apply full throttle. Release the throttle trigger and examine if the cutting attachment stops. If the cutting attachment turns with the throttle in the idle position, examine the idle adjustment screw of the carburetor.

## Stop switch

Start the engine. Make sure that the engine stops when you move the stop switch to the stop position.

(Fig. 25 )

## Cutting attachment guard

The cutting attachment guard prevents a loose object to eject in the direction of the operator.

(Fig. 26 )

Examine the cutting attachment guard for damage and replace if it is damaged. Only use the approved guard for the cutting attachment.

## Muffler

- Do not use an engine with a damaged muffler. A damaged muffler increases the noise level and the risk of fire. Keep a fire extinguisher near.
- Examine regularly that the muffler is attached to the product.
- Do not touch the engine or the muffler when the engine is on. Do not touch the engine or the muffler for a while after the engine stops. Hot surfaces can cause injuries.
- A hot muffler can cause a fire. Be careful, if you use the product near flammable liquids or fumes.
- Do not touch the parts in the muffler, if the muffler is damaged. The parts can contain some carcinogenic chemicals.

## Cutting attachment

- Do the regular maintenance. Let an approved service center regularly examine the cutting attachment to do adjustments or repairs.
  - The performance of the cutting attachment increases.
  - The life of the cutting attachment increases.
  - The risk of accidents decreases.
- Only use an approved cutting attachment guard. For more information, see *TECHNICAL DATA on page 15*.
- Do not use a damaged cutting attachment.

## Grass trimmer head

- Make sure that you wind the grass trimmer line tightly and equally around the drum to decrease the vibration.
- Use only the approved grass trimmer heads and grass trimmer lines. See *TECHNICAL DATA on page 15*.
- Use a correct length of the grass trimmer line. A long grass trimmer line uses more engine power than a short grass trimmer line.
- Make sure that the cutter on the cutting attachment guard is not damaged.
- Soak the grass trimmer line in water for 2 days before you attach the grass trimmer line to the product. This increases the life of the grass trimmer line.

## Fuel safety

- Do not start the product if there is fuel or engine oil on the product. Remove the unwanted fuel/oil and let

the product dry. Remove unwanted fuel from the product.

- If you spill fuel on your clothing, change clothing immediately.
- Do not get fuel on your body, it can cause injury. If you get fuel on your body, use a soap and water to remove the fuel.
- Do not start the engine if you spill oil or fuel on the product or on your body.
- Do not start the product if the engine has a leak. Examine the engine for leaks regularly.
- Be careful with fuel. Fuel is flammable and the fumes are explosive and can cause injuries or death.
- Do not breathe in the fuel fumes, it can cause injury. Make sure that there is a sufficient airflow.
- Do not smoke near the fuel or the engine.
- Do not put warm objects near the fuel or the engine.
- Do not add the fuel when the engine is on.
- Make sure that the engine is cool before you refuel.
- Before you refuel, open the fuel tank cap slowly and release the pressure carefully.
- Do not add fuel to the engine in an indoor area. Not sufficient airflow can cause injury or death because of asphyxiation or carbon monoxide.
- Tighten the fuel tank cap carefully or a fire can occur.
- Move the product at a minimum of 3 m (10 ft) from the position where you filled the tank before a start.
- Do not put too much fuel in the fuel tank.
- Make sure that a leak cannot occur when you move the product or fuel container.
- Do not put the product or a fuel container where there is an open flame, spark or pilot light. Make sure that the storage area does not contain an open flame.
- Only use approved containers when you move the fuel or put the fuel into storage.
- Empty the fuel tank before long-term storage. Obey the local law on where to dispose fuel.
- Clean the product before long-term storage.
- Remove the spark plug cable before you put the product into storage to make sure that the engine does not start accidentally.

## Safety instructions for maintenance

- If you cannot adjust the idle speed to make the cutting attachment stop, speak to your service center. Do not use the product until the product is correctly adjusted or repaired.

---

# ASSEMBLY

---



**WARNING:** Read the safety chapter before you assemble the product.

---

## To attach the loop handle

1. Attach the loop handle to the shaft in compliance with the illustration and tighten. (Fig. 27 )

2. Make sure that the loop handle attaches between the arrows on the shaft.

## To assemble the two-piece shaft

1. Turn the knob to loosen the shaft coupling.(Fig. 28 )
2. Align the tab of the shaft (A) with the arrow on the shaft coupling (B).(Fig. 29 )
3. Push the shaft into the shaft coupling until the shaft attaches.(Fig. 30 )
4. Make sure that you tighten the knob before you use the product.(Fig. 31 )

## To disassemble the two-piece shaft

1. Turn the knob to loosen the shaft coupling.(Fig. 32 )
2. Push and hold the button (C).(Fig. 33 ) Hold the engine end and pull the shaft out of the shaft coupling.

## To assemble the cutting attachment

### To attach the cutting attachment guard and the trimmer head (straight shaft)

1. Attach the cutting attachment guard (A) to the shaft with the bolt (L).(Fig. 34 ) Make sure to use the

correct cutting attachment guard and the correct trimmer head.

2. Attach the drive disc (B) to the output shaft.
3. Turn the output shaft until the hole in the drive disc aligns with the hole in the gear housing.
4. Put a small screwdriver (C) in the hole to lock the shaft.(Fig. 35 )
5. Turn the trimmer head (H) counterclockwise to tighten the trimmer head to the gearbox. (Left hand threads.)(Fig. 36 )

### To attach the cutting attachment guard and trimmer head (curved shaft)

1. Attach the guard.(Fig. 37 ) Tighten the nut.
2. Attach the dust cup on the shaft.(Fig. 38 )
3. Hold the dust cup with an adjustable wrench to make sure the shaft does not turn.
4. Attach the trimmer head to the shaft. Turn the trimmer head clockwise.

---

# OPERATION

---



**WARNING:** Read and understand the safety chapter before you operate the product.

## Fuel

### To use fuel



**CAUTION:** This product has a two-cycle engine. Use a mixture of gasoline and two-cycle engine oil. Make sure to use the correct quantity of oil in the mixture. Incorrect ratio of gasoline and oil can cause damage to the engine.

### Gasoline



**CAUTION:** Do not use gasoline with an octane number less than 90 RON (87 AKI). This can cause damage to the product.



**CAUTION:** Do not use gasoline with more than 10% ethanol concentration (E10). This can cause damage to the product.

- Always use new unleaded gasoline with a minimum octane number of 90 RON (87 AKI) and with less than 10% ethanol concentration (E10).

- Use gasoline with a higher octane number if you frequently use the product at continuously high engine speed.

### Two-cycle engine oil

- Use only high quality two-cycle engine oil. Use only an air cooled engine oil.
- Do not use other types of oil.
- Mixture ratio 50:1 (2%)

Gasoline	Oil
1 U.S. Gal.	77 ml (2,6 oz)
1 UK Gal.	95 ml (3,2 oz)
5 l	100 ml (3,4 oz)

### To make the fuel mixture

**Note:** Always use a clean fuel container when you mix the fuel.

**Note:** Do not make more than 30 days quantity of fuel mixture.

1. Add half of the gasoline quantity.
2. Add the full quantity of oil.
3. Shake the fuel mixture to mix the contents.

4. Add the remaining gasoline quantity.
5. Shake the fuel mixture to mix the contents.
6. Fill the fuel tank.

### To add fuel

- Always use a fuel container with an antispill valve.
- If there is some fuel on the container, remove the unwanted fuel and let the container dry.
- Make sure that the area near the fuel tank cap is clean.
- Shake the fuel container before you add the fuel mixture to the fuel tank.

## To start and stop

### Before you start the engine

- Examine the product for missing, damaged, loose or worn parts.
- Examine the nuts, screws and bolts.
- Examine the air filter.
- Examine the throttle trigger lockout and the throttle control for correct operation.
- Examine the stop switch for correct operation.
- Examine the product for fuel leaks.
- Examine the saw chain sharpness and tension.

### To start a cold engine

1. Push the primer bulb 10 times.(Fig. 39 )
2. Pull the choke control up.(Fig. 40 )
3. Hold the body of the product on the ground with your left hand.(Fig. 41 ) Do not step on the product. Pull the starter rope handle slowly until you feel some resistance. Then pull the starter rope handle with force.

---

**Note:** Do not pull the throttle trigger while you start the engine.

---

4. Continue to pull the starter rope handle until the engine starts or tries to start (max. 3 pulls). If the engine starts or tries to start, push the choke control down. Continue to pull until the engine starts. Wait 60 seconds after a start before you pull the throttle trigger.



**CAUTION:** Do not pull the starter rope until it stops. Do not let go of the starter rope when it is fully extended. Release the starter rope slowly. Failure to obey these instructions can cause damage to the engine.

---

### To start a warm engine

1. Push the primer bulb 10 times.

2. Pull the starter rope until the engine starts.

### To stop

- Push the stop switch to stop the engine.(Fig. 42 )

---

**Note:** The stop switch automatically goes back to its initial position.

---

## To operate the grass trimmer



**CAUTION:** Make sure that you slow the engine to idle speed after each operation. A long period at full throttle without a load on the engine can cause damage to the engine.

---

**Note:** Clean the cover of the trimmer head when you attach a new trimmer line to prevent vibrations. Examine other parts of the trimmer head and clean if it is necessary.

---

### To trim the grass

1. Hold the trimmer head immediately above the ground at an angle.(Fig. 43 ) Do not push the grass trimmer line into the grass.
2. Decrease the length of the grass trimmer line by 10-12 cm (4-4.75 in) and decrease engine speed to decrease the risk of damage to plants.
3. Use 80 % throttle when you cut grass near objects. (Fig. 44 )

### To cut the grass

1. Make sure that the grass trimmer line is parallel to the ground when you cut.(Fig. 45 )
2. Do not push the trimmer head to the ground. The ground and the product can be damaged.
3. Do not let the trimmer head touch the ground continuously, it can cause damage to the trimmer head.
4. Use full throttle when you move the product from side to side to cut grass.(Fig. 46 ) Make sure that the grass trimmer line is parallel to the ground.

## To replace the trimmer line

- (Fig. 47 )  
 (Fig. 48 )  
 (Fig. 49 )  
 (Fig. 50 )  
 (Fig. 51 )  
 (Fig. 52 )  
 (Fig. 53 )  
 (Fig. 54 )

---

# MAINTENANCE

---



**WARNING:** Read and understand the safety chapter before you clean, repair or do maintenance on the product.

---

## Maintenance schedule

Make sure that you obey the maintenance schedule. The intervals are calculated from daily use of the product. The intervals are different if you do not use the product each day. Only do the maintenance work that is found in this manual. Speak to an approved service center about other maintenance work not found in this manual.

### Weekly maintenance

- Clean the external surfaces.
- Examine the idle speed.
- Examine the bevel gear grease (straight shaft).

### Monthly maintenance

- Examine the starter rope handle and the starter rope.

### Yearly maintenance

- Examine the spark plug.
- Apply grease to the end of the drive shaft (two-piece shaft).
- Clean the external surfaces of the carburetor and its adjacent areas.
- Clean the cooling system.
- Examine the spark arrester screen.
- Examine the fuel filter.
- Examine the fuel hose for damage.
- Examine all cables and connections.

### 50 hours maintenance

- Have an approved service center repair or replace the muffler.

## To adjust the idle speed

- Make sure that the air filter is clean and the air filter cover is attached before you adjust the idle speed.
  - Adjust the idle speed with the idle adjustment screw T which is identified with "T" mark.
  - The idle speed is correct when the engine operates smoothly in all positions. The idle speed must be below the speed when the cutting attachment starts to turn.
1. Turn the idle adjustment screw clockwise until the cutting attachment starts to turn.(Fig. 55 )
  2. Turn the idle adjustment screw counterclockwise until the cutting attachment stops.

## To do maintenance on the spark arrester screen

Use a wire brush to clean the spark arrester screen. (Fig. 56 )

## To clean the cooling system

Clean the parts of the cooling system with a brush. (Fig. 57 )

## To examine the spark plug



**CAUTION:** Use the recommended spark plug. Make sure that the replacement is the same as the manufacturer supplied part. An incorrect spark plug can cause damage to the product.

---

1. Examine the spark plug when:
  - a) the engine is low on power.
  - b) the engine is not easy to start.
  - c) the engine does not operate correctly at idle speed.
2. If, the engine is not easy to start or operate, examine the spark plug for unwanted materials. To decrease the risk of unwanted material on the spark plug electrodes:
  - a) make sure that the idle speed is correctly adjusted.
  - b) make sure that the fuel mixture is correct.
  - c) make sure that the air filter is clean.
3. Clean the spark plug if it is dirty. Examine that the electrode gap is correct.(Fig. 58 )
4. Replace the spark plug when it is necessary.

## To apply grease to the two-piece shaft

- Apply grease to the end of the drive shaft after each 30 hours of operation.(Fig. 59 )

## To do the maintenance to the air filter

### To clean the air filter

1. Remove the air filter cover and remove the air filter. (Fig. 60 )
2. Clean the air filter with warm soap water. Make sure that the air filter is dry before you install it.
3. Replace the air filter if it is too dirty to fully clean it. Always replace a damaged air filter.
4. If your product has a foam air filter, apply air filter oil. Only apply air filter oil to a foam filter. Do not apply oil to a felt filter.

## To apply air filter oil to the air filter



**CAUTION:** Always use special air filter oil on foam air filters. Do not use other types of oil.



**WARNING:** Do not get oil on your body.

1. Remove the air filter cover and remove the air filter. (Fig. 61 )
2. Put the air filter in a plastic bag.

3. Put the air filter oil in the plastic bag.(Fig. 62 )
4. Push the plastic bag to make sure the oil supplies equally across the air filter.
5. Push on the air filter, while in the bag, to remove the air filter oil that is not necessary. Remove the air filter from the bag.
6. Install the air filter.

## To add grease to the bevel gear

Make sure that the bevel gear is filled 3/4 full with bevel gear grease.

(Fig. 63 )

## TECHNICAL DATA

	unit	129C (A05328CCHV)	129L (A05328CSHV)	129LK (A05328CSHV)
<b>Engine Specifications</b>				
Cylinder displacement	cm <sup>3</sup>	27,6	27,6	27,6
Electrode gap	mm	0,5	0,5	0,5
Fuel tank volume	cm <sup>3</sup>	343	343	343
Idling speed	min <sup>-1</sup>	2800 - 3200	2800 - 3200	2800 - 3200
Maximum power speed	min <sup>-1</sup>	8000	8000	8000
Power output	kW	0,85	0,85	0,85
Spark plug		Husqvarna HQT-4	Husqvarna HQT-4	Husqvarna HQT-4
Maximum output shaft rotation	min <sup>-1</sup>	8500	7200	7200
<b>Noise and Vibration Data</b>				
Equivalent vibration level (ahv, eq) left handle - see note 1	m/s <sup>2</sup>	3,64	9,9	9,9
Equivalent vibration level (ahv, eq) right handle - see note 1	m/s <sup>2</sup>	3,59	8,9	8,9
Sound power level, guaranteed (L <sub>WA</sub> ) - see note 2	dB(A)	114	114	114
Sound power level, measured - see note 2	dB(A)	106	105	106
Sound pressure level at operator's ear - see note 3	dB(A)	93	95	95
<b>Product Dimensions</b>				
Weight (excluding cutting equipment)	kg	4,61	5,21	5,98

**Note 1:** Reported data for equivalent vibration level has a typical statistical dispersion (standard deviation) of 1 m/s<sup>2</sup>.

**Note 2:** Noise emissions in the environment measured as sound power (L<sub>WA</sub>) in conformity with EC directive 2000/14/ EC. Reported sound power level for the machine has been measured with the original cutting attachment that gives the highest level. The difference between guaranteed and measured sound power is that the guaranteed sound power also includes dispersion in the measurement result and the variations between different machines of the same model according to Directive 2000/14/EC.

**Note 3:** Reported data for equivalent sound pressure level for the machine has a typical statistical dispersion (standard deviation) of 1 dB (A).

## ACCESSORIES

129C		
Approved accessories	Type	Cutting attachment guard
Thread shaft (3/8 R)		
Trimmer head	T25 (Ø 2.0 - 2.4 mm)	580 44 66-10
129L, 129LK		
Approved accessories	Type	Cutting attachment guard
Threaded shaft (M10L)		
Trimmer head	T25 (Ø 2.0 - 2.4 mm)	580 44 66-06

Optional accessories	Type	Use with
Sweeper attachment with shaft	SR600	129LK
Hedge trimmer attachment with shaft	HA850	129LK
Edger attachment with shaft	EA850	129LK
Saw attachment with shaft	PA1100	129LK
Cultivator attachment with shaft	CA150	129LK
Grass trimmer attachment with shaft	TA850	129LK
Saw attachment with shaft	PAX1100	129LK
Saw attachment with shaft	PAX730	129LK

## CONTENTS OF THE EC DECLARATION OF CONFORMITY

We, Husqvarna AB, SE 561 82 Huskvarna, SWEDEN, declare under our sole responsibility that the represented product:

Description	Gasoline Grass Trimmer / Brushcutter
Brand	Husqvarna



<b>Description</b>	<b>Gasoline Grass Trimmer / Brushcutter</b>
Platform / Type / Model	Platform A05328CCHV, representing model 129C  Platform A05328CSHV, representing models 129L and 129LK
Batch	Serial number dating 2013 and onwards

complies fully with the following EU directives and regulations:

<b>Directive/Regulation</b>	<b>Description</b>
2006/42/EC	"relating to machinery"
2014/30/EU	"relating to electromagnetic compatibility"
2000/14/EC	"relating to outdoor noise"

Harmonized standards and/or technical specifications applied are as follows: EN ISO 12100, EN ISO 11806-1, CISPR 12, ISO 14982

In accordance with directive 2000/14/EC, Annex V, the declared sound values are stated in the technical data section of this manual and in the signed EC Declaration of Conformity.

TÜV Rheinland N.A. has carried out a voluntary examination on behalf of Husqvarna AB, providing a Certificate of conformity to EC Council directive 2006/42/EC for machinery.

The certificate, as provided on the signed EC Declaration of Conformity, is applicable to all manufacturing locations and Countries of Origin, as stated on the product.

The supplied gasoline grass trimmer / brushcutter conforms to the example that underwent examination.

---

# Inhalt

---

EINLEITUNG.....	18	TECHNISCHE DATEN.....	26
SICHERHEIT.....	19	ZUBEHÖR.....	27
MONTAGE.....	22	INHALT DER EU-KONFORMITÄTSERKLÄRUNG.....	28
BETRIEB.....	23	.....	0
WARTUNG.....	25		

---

## EINLEITUNG

---

### Bedienungsanleitung

Die Ausgangssprache dieser Betriebsanleitung ist Englisch. Bedienungsanleitungen in anderen Sprachen sind Übersetzungen aus dem Englischen.

### Übersicht

(Abb. 1 )

1. Trimmerkopf
2. Einfüllöffnung für Fett
3. Winkelgetriebe
4. Schutz für die Schneidausrüstung
5. Führungsrohr
6. Führungsrohrverbindung
7. Loophandgriff
8. Gashebel
9. Stoppschalter
10. Gashebelsperre
11. Zündkappe, Zündkerze
12. Startvorrichtungsgehäuse
13. Startseilgriff
14. Kraftstofftank
15. Luftfilterdeckel
16. Kraftstoffpumpe
17. Choke-Hebel
18. Mitnehmer
19. Bedienungsanleitung

(Abb. 8 ) Tragen Sie Schutzschuhe/Schutzstiefel.

(Abb. 9 ) Das Gerät kann Objekte umherschleudern und Augenverletzungen verursachen.

(Abb. 10 ) Das Gerät kann Objekte umherschleudern und Augenverletzungen verursachen.

(Abb. 11 ) Max. Drehzahl der Abtriebswelle.

(Abb. 12 ) Sicherheitsabstand

(Abb. 13 ) Verwenden Sie nur einen zugelassenen Trimmerfaden. Verwenden Sie keine Trennscheibe.

(Abb. 14 ) Verwenden Sie keine Schneidausrüstung aus Metall.

(Abb. 15 ) Achten Sie darauf, langes Haar über den Schultern zusammenzubinden.

(Abb. 16 ) Die Pfeile zeigen die Grenzwerte für die Position des Griffs.

(Abb. 17 ) Schalleistungspegel.

(Abb. 18 ) Geräuschpegel

(Abb. 19 ) Dieses Gerät entspricht den geltenden CE-Richtlinien.

(Abb. 20 ) Dieses Gerät entspricht den geltenden EAC-Richtlinien.

(Abb. 21 ) Dieses Gerät entspricht den geltenden Richtlinien der Ukraine.

### Symbole auf dem Produkt

(Abb. 2 ) Warnung

(Abb. 3 ) Lesen Sie diese Bedienungsanleitung.

(Abb. 4 ) Tragen Sie einen zugelassenen Kopfschutz.

(Abb. 5 ) Tragen Sie einen zugelassenen Gehörschutz.

(Abb. 6 ) Tragen Sie einen zugelassenen Augenschutz.

(Abb. 7 ) Tragen Sie zugelassene Schutzhandschuhe.

---

**Hinweis:** Weitere Symbole/Aufkleber auf dem Gerät beziehen sich auf die Zertifizierungsanforderungen für andere kommerzielle Bereiche.

---

## Produkthaftung

Im Sinne der Produkthaftungsgesetze übernehmen wir keine Haftung für Schäden, die unser Gerät verursacht, wenn...

- das Gerät nicht ordnungsgemäß repariert wurde.
- das Gerät mit Teilen repariert wurde, die nicht vom Hersteller stammen oder vom Hersteller zugelassen sind.

- ein Zubehörteil mit dem Gerät verwendet wird, das nicht vom Hersteller stammt oder vom Hersteller zugelassen ist.
- das Gerät nicht bei einem autorisierten Service Center oder von einem zugelassenen Fachmann repariert wurde.

---

## SICHERHEIT

---

### Sicherheitsdefinitionen

Die nachstehenden Definitionen geben den Schweregrad für jedes Signalwort an.



**WARNUNG:** Personenschäden.



**ACHTUNG:** Schäden am Gerät.

**Hinweis:** Diese Informationen erleichtern die Verwendung des Geräts.

### Allgemeine Sicherheitshinweise

- Verwenden Sie das Gerät ordnungsgemäß. Eine falsche Verwendung kann zu schweren bis tödlichen Verletzungen führen. Verwenden Sie das Gerät nur für die in dieser Bedienungsanleitung aufgeführten Arbeiten. Verwenden Sie das Gerät nicht für andere Aufgaben.
  - Beachten Sie die Anweisungen in dieser Bedienungsanleitung. Beachten Sie die Symbole und die Sicherheitshinweise. Die Nichtbeachtung der Anweisungen und Symbole kann zu Verletzungen oder zum Tod führen.
  - Werfen Sie diese Bedienungsanleitung nicht weg. Verwenden Sie die Anweisungen für das Zusammensetzen und den Betrieb, und halten Sie Ihr Gerät in gutem Zustand. Befolgen Sie die Anweisungen für die korrekte Installation von Anbaugeräten und Zubehörteilen. Verwenden Sie ausschließlich zugelassene Anbaugeräte und Zubehörteile.
  - Verwenden Sie das Gerät nicht, wenn es beschädigt ist. Halten Sie sich an den Wartungsplan. Führen Sie nur diejenigen Wartungsarbeiten aus, die Sie in den Anweisungen in dieser Bedienungsanleitung finden. Alle sonstigen Wartungsarbeiten müssen von einem autorisierten Service Center durchgeführt werden.
  - Diese Bedienungsanleitung kann nicht alle Situationen abdecken, die bei der Verwendung des Geräts auftreten können. Seien Sie immer vorsichtig und arbeiten Sie mit gesundem Menschenverstand.
- Führen Sie keine Arbeiten mit oder Wartungen am Gerät durch, wenn Sie sich in einer Situation unsicher sind. Wenden Sie sich an einen Produktfachmann, Ihren Fachhändler, Ihren Service Vertreter oder das autorisierte Service Center für weitere Informationen.
  - Ziehen Sie den Zündkerzenstecker ab, bevor Sie das Gerät zusammenbauen, einlagern oder warten.
  - Verwenden Sie das Gerät nicht, wenn es nicht mehr der ursprünglichen Spezifikation entspricht. Ändern Sie kein Teil des Geräts ohne Genehmigung des Herstellers. Verwenden Sie nur Teile, die vom Hersteller genehmigt wurden. Eine falsche Wartung kann zu schweren bis tödlichen Verletzungen führen.
  - Atmen Sie die Abgase des Motors nicht ein. Das Einatmen der Motorabgase über längere Zeit kann eine Gefahr für die Gesundheit darstellen.
  - Das Gerät sollte nicht im Innenbereich oder in der Nähe von feuergefährlichen Stoffen gestartet werden. Die Abgase sind heiß und können Funken erzeugen, die einen Brand verursachen können. Eine mangelhafte Luftzirkulation kann zu schweren oder tödlichen Verletzungen durch Ersticken oder eine Kohlenmonoxidvergiftung führen.
  - Wenn Sie das Gerät nutzen, erzeugt der Motor ein elektromagnetisches Feld. Das elektromagnetische Feld kann medizinische Implantate beschädigen. Sprechen Sie vor der Inbetriebnahme des Geräts mit Ihrem Arzt und dem Hersteller des medizinischen Implantats.
  - Lassen Sie nicht zu, dass Kinder das Gerät verwenden. Erlauben Sie nicht, dass Personen ohne Kenntnis der Anweisungen das Gerät bedienen.
  - Stellen Sie sicher, dass Personen mit verminderter physischer oder psychischer Leistungsfähigkeit dieses Gerät nicht unbeobachtet verwenden. Es muss immer ein verantwortlicher Erwachsener anwesend sein.
  - Verschließen Sie das Gerät in einem Bereich, zum dem Kinder und nicht autorisierte Personen keinen Zugang haben.
  - Das Gerät kann Objekte auswerfen und Verletzungen verursachen. Beachten Sie die Sicherheitshinweise, um das Risiko von Verletzungen oder Tod zu verringern.
  - Entfernen Sie sich nicht vom Gerät, wenn der Motor eingeschaltet ist.

- Der Bediener des Geräts trägt bei einem Unfall die Verantwortung.
- Überprüfen Sie vor dem Gebrauch das Gerät auf schadhafte Teile.
- Achten Sie vor dem Gebrauch des Geräts darauf, einen Mindestabstand von 15 m von anderen Personen oder von Tieren einzuhalten. Stellen Sie sicher, dass eine Person in einem angrenzenden Bereich weiß, dass Sie das Gerät benutzen.
- Halten Sie sich an nationale und lokale gesetzliche Bestimmungen. Diese können den Betrieb des Geräts unter bestimmten Bedingungen verhindern oder einschränken.
- Verwenden Sie das Gerät nicht, wenn Sie müde sind oder unter Einfluss von Alkohol, Drogen oder Medikamenten stehen, die Ihre Sehkraft, Aufmerksamkeit, Körperkontrolle oder Ihr Urteilsvermögen beeinträchtigen könnten.

## Sicherheitshinweise für den Betrieb

- Stellen Sie sicher, dass das Gerät vollständig zusammengebaut ist, bevor Sie es verwenden.
- Stellen Sie das Gerät vor dem Einschalten in einem Abstand von mindestens 3 m von der Stelle ab, wo Sie zuvor den Kraftstofftank gefüllt haben. Stellen Sie das Gerät auf einer ebenen Oberfläche ab. Stellen Sie sicher, dass die Schneidausrüstung nicht den Boden oder ein anderes Objekt berührt.
- Das Gerät kann Objekte umherschleudern und Augenverletzungen verursachen. Tragen Sie immer einen zugelassenen Augenschutz, wenn Sie mit dem Gerät arbeiten.
- Achten Sie darauf, dass sich während der Arbeiten kein Kind unbemerkt dem Gerät nähert.
- Benutzen Sie das Gerät nicht, wenn sich Personen im Arbeitsbereich befinden. Halten Sie das Gerät an, wenn eine Person den Arbeitsbereich betritt.
- Stellen Sie sicher, dass Sie immer die Kontrolle über das Gerät behalten.
- Verwenden Sie das Gerät nicht, wenn Sie bei einem Unfall keine Hilfe holen können. Vergewissern Sie sich immer, dass Dritte von Ihren Arbeiten wissen, bevor Sie das Gerät in Betrieb nehmen.
- Schauen Sie sich immer nach Personen und Tieren im Sicherheitsbereich um, bevor Sie sich mit dem Gerät herumdrehen.
- Entfernen Sie alle unerwünschten Materialien aus dem Arbeitsbereich, bevor Sie beginnen. Wenn die Schneidausrüstung gegen ein Objekt stößt, kann das Objekt umherschleudert werden und Verletzungen oder Schäden verursachen. Unerwünschtes Material kann sich um die Schneidausrüstung wickeln und Schäden verursachen.
- Verwenden Sie das Gerät nicht bei schlechtem Wetter (Nebel, Regen oder starke Winde, Gewittergefahr oder sonstigen Schlechtwetterbedingungen). Bei schlechtem Wetter

könnten sich gefährliche Bedingungen (z. B. rutschige Bodenflächen) einstellen.

- Stellen Sie sicher, dass Sie sich beim Arbeiten frei bewegen und stabil stehen können.

(Abb. 22 )

- Vermeiden Sie Situationen, in denen Sie fallen könnten, wenn Sie mit dem Gerät arbeiten. Neigen Sie sich nicht bei der Arbeit mit dem Gerät.
- Halten Sie das Gerät immer mit beiden Händen fest. Halten Sie das Gerät auf der rechten Seite des Körpers.

(Abb. 23 )

- Betreiben Sie das Gerät mit der Schneidausrüstung unter Hüfthöhe.
- Wenn sich beim Motorstart der Choke in der Choke-Stellung befindet, beginnt sich die Schneidausrüstung zu drehen.
- Berühren Sie das Winkelgetriebe nicht direkt nach dem Abstellen des Motors. Das Winkelgetriebe ist nach dem Abstellen des Motors noch heiß. Heiße Stellen können zu Verletzungen führen.
- Stellen Sie den Motor ab, bevor Sie das Gerät transportieren.
- Legen Sie das Gerät auf keinen Fall ab, solange der Motor läuft.
- Stellen Sie vor dem Entfernen unerwünschter Materialien den Motor ab und warten Sie, bis die Schneidausrüstung stillsteht. Lassen Sie die Schneidausrüstung anhalten, bevor Sie oder ein Helfer das geschnittene Material entfernen.

## Persönliche Schutzausrüstung

- Verwenden Sie immer geeignete persönliche Schutzausrüstung bei der Benutzung des Geräts. Das Tragen persönlicher Schutzausrüstung schließt das Risiko von Verletzungen nicht aus. Das Tragen persönlicher Schutzausrüstung verringert das Ausmaß der Verletzungen bei einem Unfall.
- Tragen Sie immer einen zugelassenen Augenschutz beim Arbeiten mit dem Gerät.
- Arbeiten Sie mit dem Gerät nicht barfuß oder mit offenen Schuhen. Tragen Sie stets robuste und rutschfeste Schuhe.
- Tragen Sie schwere, lange Hosen.
- Tragen Sie bei Bedarf auch zugelassene Schutzhandschuhe.
- Tragen Sie einen Helm, wenn Ihnen Gegenstände auf den Kopf fallen könnten.
- Tragen Sie immer einen zugelassenen Gehörschutz beim Arbeiten mit dem Gerät. Lärmbelastung über einen längeren Zeitraum kann zu lärmbedingten Hörschäden führen.
- Vergewissern Sie sich, dass Sie einen Erste-Hilfe-Kasten griffbereit haben.

## Schutzvorrichtungen am Gerät

- Achten Sie darauf, das Gerät regelmäßig zu warten.
  - Dies erhöht die Lebensdauer des Geräts.

- Die Gefahr von Unfällen sinkt.

Lassen Sie einen Vertragshändler oder ein autorisiertes Service Center das Gerät regelmäßig überprüfen, um Einstellungen oder Reparaturen vorzunehmen.

- Benutzen Sie kein Gerät mit defekten Schutzvorrichtungen. Wenn das Gerät beschädigt ist, wenden Sie sich an ein autorisiertes Service Center.

## Gashebelsperre

Die Gashebelsperre arretiert den Gashebel. (Abb. 24)

Drücken Sie die Gashebelsperre (A), um den Gashebel (B) freizugeben. Wenn Sie den Griff loslassen, kehren Gashebelsperre und Gashebel wieder in die Ausgangsstellung zurück.

1. Stellen Sie sicher, dass der Gashebel (B) im Leerlauf arretiert ist, wenn Sie die Gashebelsperre (A) lösen.
2. Drücken Sie die Gashebelsperre (A) und kontrollieren Sie, ob sie beim Loslassen in die Ausgangsstellung zurückkehrt.
3. Drücken Sie den Gashebel (B) und kontrollieren Sie, ob er beim Loslassen in die Ausgangsstellung zurückkehrt.

Starten Sie den Motor, und geben Sie Vollgas. Lassen Sie den Gashebel los und kontrollieren Sie, ob die Schneidausrüstung stehen bleibt. Wenn sich die Schneidausrüstung dreht, während der Gashebel auf Leerlauf steht, überprüfen Sie die Einstellschraube für den Leerlauf am Vergaser.

## Stopschalter

Motor starten. Kontrollieren Sie, dass der Motor anhält, wenn Sie den Schalter auf die Stopp-Position stellen.

(Abb. 25)

## Schutz für die Schneidausrüstung

Die Schutzvorrichtung der Schneidausrüstung verhindert, dass ein loser Fremdkörper in Richtung des Fahrers geschleudert wird.

(Abb. 26)

Überprüfen Sie den Schutz der Schneidausrüstung auf Beschädigung und ersetzen Sie ihn gegebenenfalls. Verwenden Sie nur die zugelassene Schutzvorrichtung für die Schneidausrüstung.

## Schalldämpfer

- Verwenden Sie keinen Motor mit defektem Schalldämpfer. Ein beschädigter Schalldämpfer erhöht den Geräuschpegel und die Brandgefahr. Halten Sie stets einen Feuerlöscher griffbereit.
- Überprüfen Sie regelmäßig, ob der Schalldämpfer mit dem Gerät verbunden ist.
- Berühren Sie den Motor oder den Schalldämpfer nicht, solange der Motor eingeschaltet ist. Warten

Sie nach dem Abstellen des Motors eine Weile, bevor Sie den Motor oder den Schalldämpfer berühren. Heiße Oberflächen können zu Verletzungen führen.

- Ein heißer Schalldämpfer kann einen Brand verursachen. Seien Sie vorsichtig, wenn Sie das Gerät in der Nähe von entzündlichen Flüssigkeiten oder Gasen verwenden.
- Berühren Sie keine Teile im Schalldämpfer, wenn der Schalldämpfer beschädigt ist. Diese Teile können krebserregende Stoffe enthalten.

## Schneidausrüstung

- Führen Sie die regelmäßigen Wartungen aus. Lassen Sie ein autorisiertes Service Center die Schneidausrüstung regelmäßig überprüfen, um Einstellungen oder Reparaturen vorzunehmen.
  - Dies erhöht die Leistung der Schneidausrüstung.
  - Die Lebensdauer der Schneidausrüstung steigt.
  - Die Gefahr von Unfällen sinkt.
- Verwenden Sie ausschließlich eine für die Schneidausrüstung zugelassene Schutzvorrichtung. Weitere Informationen finden Sie unter *TECHNISCHE DATEN auf Seite 26*.
- Verwenden Sie keine beschädigte Schneidausrüstung.

## Kopf des Rasentrimmers

- Wickeln Sie den Faden des Rasentrimmers straff und gleichmäßig um die Trommel, um Vibrationen zu vermeiden.
- Verwenden Sie nur zugelassene Rasentrimmerköpfe und Rasentrimmerfäden. Siehe *TECHNISCHE DATEN auf Seite 26*.
- Verwenden Sie einen Rasentrimmerfaden mit korrekter Länge. Ein langer Rasentrimmerfaden verbraucht mehr Motorleistung als ein kurzer Rasentrimmerfaden.
- Achten Sie darauf, dass das Messer an der Schutzvorrichtung der Schneidausrüstung nicht beschädigt ist.
- Weichen Sie den Rasentrimmerfaden zwei Tage lang in Wasser ein, bevor Sie ihn am Gerät befestigen. Dies erhöht die Lebensdauer des Rasentrimmerfadens.

## Sicherer Umgang mit Kraftstoff

- Starten Sie das Gerät nicht, wenn sich Kraftstoff oder Öl darauf befindet. Entfernen Sie den unerwünschten Kraftstoff bzw. das Öl, und lassen Sie das Gerät trocknen. Entfernen Sie unerwünschten Kraftstoff aus dem Gerät.
- Wechseln Sie sofort die Kleidung, wenn Sie Kraftstoff darauf verschüttet haben.
- Lassen Sie keinen Kraftstoff auf Ihren Körper gelangen, denn dies kann zu Verletzungen führen. Wenn Kraftstoff auf Ihre Haut gelangt, waschen Sie diesen mit Wasser und Seife ab.

- Starten Sie den Motor niemals, wenn Sie Öl oder Kraftstoff auf das Gerät oder auf Ihren Körper verschüttet haben.
- Starten Sie das Gerät nicht, wenn der Motor undicht ist. Überprüfen Sie den Motor regelmäßig auf Undichtigkeiten.
- Gehen Sie vorsichtig mit Kraftstoff um. Kraftstoff ist feuergefährlich, und die Dämpfe sind explosiv und können zu Verletzungen oder sogar zum Tod führen.
- Atmen Sie die Kraftstoffdämpfe nicht ein, denn sie sind gesundheitsschädigend. Achten Sie auf ausreichende Belüftung.
- Rauchen Sie nicht in der Nähe des Kraftstoffs oder des Motors.
- Stellen Sie keine heißen Gegenstände in der Nähe des Kraftstoffs oder Motors ab.
- Füllen Sie keinen Kraftstoff nach, während der Motor läuft.
- Vergewissern Sie sich, dass der Motor abgekühlt ist, bevor Sie Kraftstoff nachfüllen.
- Öffnen Sie vor dem Nachfüllen den Tankdeckel langsam, und lassen Sie den Druck vorsichtig entweichen.
- Füllen Sie keinen Kraftstoff in den Motor, wenn Sie sich in einem Innenraum befinden. Eine mangelhafte Luftzirkulation kann zu schweren oder tödlichen Verletzungen durch Ersticken oder eine Kohlenmonoxidvergiftung führen.
- Drehen Sie den Tankdeckel sorgfältig zu, da ansonsten Brandgefahr besteht.
- Stellen Sie das Gerät vor dem Einschalten in einem Abstand von mindestens 3 m von der Stelle auf, wo Sie den Tank befüllt haben.
- Überfüllen Sie den Kraftstofftank nicht.
- Stellen Sie sicher, dass kein Kraftstoff austreten kann, wenn Sie das Gerät oder den Kraftstoffbehälter transportieren.
- Bringen Sie weder das Gerät noch einen Kraftstoffbehälter in Bereiche mit offenem Feuer, Funkenbildung oder Zündflammen. Stellen Sie sicher, dass sich im Lagerbereich keine offene Feuerquelle befindet.
- Verwenden Sie nur zugelassene Behälter, wenn Sie den Kraftstoff transportieren oder einlagern.
- Leeren Sie den Kraftstofftank, bevor Sie das Gerät für längere Zeit einlagern. Entsorgen Sie den Kraftstoff an Orten, die durch die lokalen gesetzlichen Bestimmungen dafür vorgesehen sind.
- Reinigen Sie das Gerät, bevor Sie es für längere Zeit einlagern.
- Ziehen Sie das Zündkerzenkabel ab, bevor Sie das Gerät einlagern, um sicherzustellen, dass der Motor nicht unbeabsichtigt starten kann.

## Sicherheitshinweise für die Wartung

- Wenden Sie sich an Ihr Service Center, wenn Sie die Schneidausrüstung nicht durch die Einstellung der Leerlaufdrehzahl stoppen können. Sie dürfen das Gerät nicht einsetzen, bis es korrekt eingestellt oder repariert wurde.

---

## MONTAGE

---



**WARNUNG:** Lesen Sie vor dem Zusammensetzen des Geräts das Kapitel über Sicherheit.

### So bauen Sie den Loophandgriff an

1. Befestigen Sie den Loophandgriff so am Führungsrohr, wie es in der Abbildung dargestellt ist, und ziehen Sie ihn fest.(Abb. 27 )
2. Stellen Sie sicher, dass der Loophandgriff zwischen den Pfeilen auf dem Schaft befestigt ist.

### So bauen Sie das zweiteilige Führungsrohr zusammen

1. Drehen Sie den Knopf zum Lösen der Führungsrohrkupplung.(Abb. 28 )
2. Richten Sie den Vorsprung am Führungsrohr (A) mit dem Pfeil auf der Führungsrohrkupplung (B) aus. (Abb. 29 )
3. Drücken Sie das Führungsrohr in die Kupplung, bis es einrastet.(Abb. 30 )
4. Stellen Sie sicher, dass Sie den Knopf vor dem Gebrauch des Geräts festdrehen.(Abb. 31 )

### So nehmen Sie das zweiteilige Führungsrohr auseinander

1. Drehen Sie den Knopf zum Lösen der Führungsrohrkupplung.(Abb. 32 )
2. Halten Sie die Taste (C) gedrückt.(Abb. 33 ) Halten Sie das Motorende und ziehen Sie das Führungsrohr aus der Kupplung.

### So montieren Sie die Schneidausrüstung

#### So befestigen Sie die Schutzvorrichtung der Schneidausrüstung und den Trimmerkopf (gerades Führungsrohr)

1. Befestigen Sie die Schutzvorrichtung der Schneidausrüstung (A) mit der Schraube (L) am Führungsrohr.(Abb. 34 ) Kontrollieren Sie, dass Sie die korrekte Schutzvorrichtung für die Schneidausrüstung und den passenden Trimmerkopf verwenden.
2. Befestigen Sie den Mitnehmer (B) an der Abtriebswelle.

3. Drehen Sie die Abtriebswelle, bis sich das Loch des Mitnehmers mit dem entsprechenden Loch im Getriebegehäuse deckt.
4. Stecken Sie einen kleinen Schraubenzieher (C) in das Loch, um die Welle zu verriegeln. (Abb. 35)
5. Drehen Sie den Trimmerkopf (H) gegen den Uhrzeigersinn, um den Trimmerkopf am Getriebe zu befestigen. (Linksgewinde.) (Abb. 36)
2. Befestigen Sie den Staubschutz an der Welle. (Abb. 38)
3. Halten Sie den Staubschutz mit einem verstellbaren Schraubenschlüssel fest, um sicherzugehen, dass sich die Welle nicht dreht.
4. Befestigen Sie den Trimmerkopf am Führungsrohr. Drehen Sie den Trimmerkopf im Uhrzeigersinn.

### So schließen Sie den Schutz für Schneid-ausrüstung und Trimmerkopf an (gebogenes Führungsrohr)

1. Befestigen Sie die Schutzvorrichtung. (Abb. 37)  
Ziehen Sie die Mutter an.

## BETRIEB



**WARNUNG:** Lesen Sie vor der Nutzung des Geräts das Kapitel über Sicherheit, und machen Sie sich damit vertraut.

### Kraftstoff

#### So verwenden Sie den Kraftstoff



**ACHTUNG:** Dieses Gerät hat einen Zweitaktmotor. Verwenden Sie eine Mischung aus Benzin und Zweitakt-Motoröl. Stellen Sie sicher, dass Sie die korrekte Menge an Öl für das Gemisch verwenden. Ein falsches Verhältnis von Benzin und Öl kann zu Schäden am Motor führen.

#### Benzin



**ACHTUNG:** Verwenden Sie kein Benzin mit einer geringeren Oktanzahl als 90 RON (87 AKI). Dies kann das Gerät beschädigen.



**ACHTUNG:** Verwenden Sie kein Benzin mit einer höheren Ethanolkonzentration als 10 % (E10). Dies kann das Gerät beschädigen.

- Verwenden Sie immer frisches bleifreies Benzin mit einer Oktanzahl von mindestens 90 RON (87 AKI) und einer Ethanolkonzentration unter 10 % (E10).
- Verwenden Sie Benzin mit einer höheren Oktanzahl, wenn Sie das Gerät häufig und bei kontinuierlich hoher Motordrehzahl verwenden.

#### Öl für Zweitaktmotoren

- Verwenden Sie ausschließlich qualitativ hochwertiges Zweitakt-Motoröl. Verwenden Sie nur ein luftgekühltes Motoröl.
- Verwenden Sie keine anderen Arten von Öl.
- Mischungsverhältnis 50:1 (2 %)

Benzin	Öl
1 US gal	77 ml
1 UK gal	95 ml
5 l	100 ml

#### So stellen Sie das Kraftstoffgemisch her

**Hinweis:** Verwenden Sie zum Mischen der Kraftstoffs immer einen sauberen Kraftstoffbehälter.

**Hinweis:** Bereiten Sie keine größere Menge Gemisch zu, als Sie für 30 Tage benötigen.

1. Fügen Sie die Hälfte des Benzins hinzu.
2. Fügen Sie die gesamte Menge Öl hinzu.
3. Schütteln Sie das Kraftstoffgemisch, um die Anteile zu vermengen.
4. Setzen Sie die restliche Menge Benzin hinzu.
5. Schütteln Sie das Kraftstoffgemisch, um die Anteile zu vermengen.
6. Füllen Sie es in den Kraftstofftank.

#### So füllen Sie Kraftstoff nach

- Verwenden Sie immer einen Kraftstoffbehälter mit einem Überfüllungsschutz.
- Wenn sich noch Kraftstoff auf dem Behälter befindet, entfernen Sie diesen und lassen Sie den Behälter trocknen.
- Stellen Sie sicher, dass der Bereich um den Tankverschluss sauber ist.
- Schütteln Sie den Kraftstoffbehälter, bevor Sie das Kraftstoffgemisch in den Kraftstofftank einfüllen.

# Starten und stoppen

## Vor dem Starten des Motors

- Untersuchen Sie das Gerät auf fehlende, beschädigte, lose oder abgenutzte Teile.
- Überprüfen Sie die Muttern, Schrauben und Bolzen.
- Überprüfen Sie den Luftfilter.
- Überprüfen Sie die Gashebelsperre und den Gashebel auf korrekte Funktion.
- Überprüfen Sie den Stoppschalter auf korrekte Funktion.
- Untersuchen Sie das Gerät auf austretenden Kraftstoff.
- Überprüfen Sie die Schärfe und Spannung der Sägekette.

## So starten Sie bei kaltem Motor

1. Drücken Sie die Kraftstoffeinspritzpumpe 10 Mal. (Abb. 39 )
2. Ziehen Sie den Choke-Hebel nach oben.(Abb. 40 )
3. Drücken Sie den Gerätekörper mit der linken Hand gegen den Boden.(Abb. 41 ) Stellen Sie sich nicht auf das Gerät. Ziehen Sie langsam am Startseilhandgriff, bis Sie einen Widerstand spüren. Ziehen Sie dann mit Kraft am Startseil.

**Hinweis:** Betätigen Sie nicht den Gashebel, während Sie den Motor starten.

4. Ziehen Sie weiter am Startseilhandgriff, bis der Motor anspringt oder versucht zu starten (max. 3 Mal). Wenn der Motor anspringt oder versucht zu starten, drücken Sie den Choke nach unten. Ziehen Sie weiter, bis der Motor anspringt. Warten Sie 60 Sekunden lang nach einem Start, bevor Sie den Gashebel betätigen.



**ACHTUNG:** Ziehen Sie das Startseil nicht bis zum Anschlag heraus. Lassen Sie das Startseil nicht los, wenn es vollständig ausgezogen ist. Lösen Sie das Startseil langsam. Bei Nichtbeachtung dieser Anweisungen kann es zu einer Beschädigung des Motors kommen.

## So starten Sie einen warmen Motor

1. Drücken Sie die Kraftstoffeinspritzpumpe 10 Mal.
2. Ziehen Sie am Startseil, bis der Motor anspringt.

## So stoppen Sie das Gerät

- Drücken Sie den Stoppschalter, um den Motor auszustellen.(Abb. 42 )

**Hinweis:** Der Stoppschalter kehrt dann automatisch wieder in seine Ausgangsstellung zurück.

# So arbeiten Sie mit dem Rasentrimmer



**ACHTUNG:** Stellen Sie sicher, dass Sie nach jedem Betrieb den Motor wieder in den Leerlauf drosseln. Wenn der Motor längere Zeit bei voller Drehzahl ohne Last läuft, kann er dadurch beschädigt werden.

**Hinweis:** Reinigen Sie die Abdeckung des Trimmerkopfes, wenn Sie einen neuen Trimmerfaden befestigen, um Schwingungen zu vermeiden. Untersuchen Sie andere Teile der Trimmerkopfes und reinigen Sie diese, falls erforderlich.

## So trimmen Sie Gras

1. Halten Sie den Trimmerkopf nah über dem Boden und neigen Sie ihn dabei etwas.(Abb. 43 ) Drücken Sie den Rasentrimmer nicht in das Gras.
2. Verringern Sie die Länge des Rasentrimmerfadens um 10 bis 12 cm und drosseln Sie die Motordrehzahl, um die Pflanzen nicht zu beschädigen.
3. Arbeiten Sie mit 80 % Gas, wenn Sie Gras in der Nähe von Objekten schneiden.(Abb. 44 )

## So mähen Sie den Rasen

1. Stellen Sie sicher, dass der Rasentrimmerfaden beim Schneiden parallel zum Boden läuft.(Abb. 45 )
2. Drücken Sie den Trimmerkopf nicht auf den Boden. Der Boden und das Gerät könnten dadurch beschädigt werden.
3. Der Trimmerkopf sollte nicht durchgängig den Boden berühren, da es sonst zu Schäden am Trimmerkopf kommen kann.
4. Arbeiten Sie mit Vollgas, wenn Sie das Gerät beim Mähen von einer Seite zur anderen bewegen.(Abb. 46 ) Stellen Sie sicher, dass der Rasentrimmerfaden beim Schneiden parallel zum Boden läuft.

## So tauschen Sie den Trimmerfaden aus

- (Abb. 47 )
- (Abb. 48 )
- (Abb. 49 )
- (Abb. 50 )
- (Abb. 51 )
- (Abb. 52 )
- (Abb. 53 )
- (Abb. 54 )



---

# WARTUNG

---



**WARNUNG:** Lesen Sie vor dem Reinigen, Reparieren oder Warten des Geräts das Kapitel über Sicherheit, und machen Sie sich damit vertraut.

## Wartungsplan

Achten Sie darauf, den Wartungsplan einzuhalten. Die Wartungsintervalle werden anhand der täglichen Nutzung des Gerätes berechnet. Wenn Sie nicht jeden Tag mit dem Gerät arbeiten, sind die Intervalle anders. Führen Sie nur diejenigen Wartungsarbeiten aus, die Sie in den Anweisungen in dieser Bedienungsanleitung finden. Wenden Sie sich bezüglich anderer Wartungsarbeiten, die in dieser Betriebsanleitung nicht aufgeführt sind, an ein autorisiertes Service Center.

### Wöchentliche Wartung

- Reinigen Sie die Außenflächen.
- Überprüfen Sie die Leerlaufdrehzahl.
- Überprüfen Sie die Schmierung des Winkelgetriebes (gerades Führungsrohr).

### Monatliche Wartung

- Überprüfen Sie den Starthandgriff und das Startseil.

### Jährliche Wartung

- Überprüfen Sie die Zündkerze.
- Tragen Sie Fett auf das Ende der Antriebswelle auf (zweiteiliges Führungsrohr).
- Reinigen Sie die Außenflächen des Vergasers und die angrenzenden Bereiche.
- Reinigen Sie das Kühlsystem.
- Überprüfen Sie den Funkenschutz.
- Überprüfen Sie den Kraftstofffilter.
- Untersuchen Sie den Kraftstoffschlauch auf Beschädigung.
- Kontrollieren Sie alle Kabel und Anschlüsse.

### Wartung alle 50 Stunden

- Wenden Sie sich an ein autorisiertes Service Center für die Instandsetzung oder den Austausch des Schalldämpfers.

## So stellen Sie die Leerlaufdrehzahl ein

- Stellen Sie sicher, dass der Luftfilter sauber ist und der Luftfilterdeckel befestigt wurde, bevor Sie die Leerlaufdrehzahl einstellen.
- Stellen Sie die Leerlaufdrehzahl mit der zugehörigen Einstellschraube T ein, die mit der „T“-Markierung versehen ist.
- Die Leerlaufdrehzahl ist richtig eingestellt, wenn der Motor in allen Stellungen gleichmäßig läuft. Die Leerlaufdrehzahl muss niedriger sein als die

Geschwindigkeit, bei der sich die Schneid-ausrüstung zu drehen beginnt.

1. Drehen Sie die Einstellschraube im Uhrzeigersinn, bis die Schneid-ausrüstung sich zu drehen beginnt. (Abb. 55 )
2. Drehen Sie die Einstellschraube gegen den Uhrzeigersinn, bis die Schneid-ausrüstung stehen bleibt.

## So warten Sie den Funkenschutz

Reinigen Sie den Funkenschutz mit einer Drahtbürste. (Abb. 56 )

## So reinigen Sie das Kühlsystem

Reinigen Sie die Teile des Kühlsystems mit einer Bürste.

(Abb. 57 )

## So überprüfen Sie die Zündkerze



**ACHTUNG:** Verwenden Sie die empfohlene Zündkerze. Stellen Sie sicher, dass ein Ersatzteil mit dem vom Hersteller gelieferten Teil identisch ist. Eine falsche Zündkerze kann zu Schäden am Gerät führen.

1. Überprüfen Sie die Zündkerze, wenn...
  - a) der Motor zu wenig Leistung erbringt.
  - b) der Motor sich nicht leicht starten lässt.
  - c) der Motor nicht ordnungsgemäß im Leerlauf funktioniert.
2. Untersuchen Sie die Zündkerze auf unerwünschtes Material, wenn sich der Motor nicht leicht starten und betreiben lässt. So verringern Sie die Gefahr von unerwünschtem Material an den Elektroden der Zündkerze:
  - a) Vergewissern Sie sich, dass die Leerlaufdrehzahl richtig eingestellt ist.
  - b) Vergewissern Sie sich, dass das Kraftstoffgemisch korrekt ist.
  - c) Vergewissern Sie sich, dass der Luftfilter sauber ist.
3. Reinigen Sie die Zündkerze, wenn sie schmutzig ist. Kontrollieren Sie, dass der Elektrodenabstand korrekt ist. (Abb. 58 )
4. Tauschen Sie die Zündkerze bei Bedarf aus.

## So tragen Sie Schmierfett auf das zweiteilige Führungsrohr auf

- Schmieren Sie das Ende der Antriebswelle nach jeweils 30 Betriebsstunden. (Abb. 59 )

## So warten Sie den Luftfilter

Luftfiltern. Verwenden Sie keine anderen Arten von Öl.

### Reinigen des Luftfilters

1. Nehmen Sie Luftfilterdeckel und Luftfilter ab. (Abb. 60)
2. Reinigen Sie den Luftfilter mit warmer Seifenlauge. Achten Sie darauf, dass der Luftfilter trocken ist, bevor Sie ihn wieder einbauen.
3. Tauschen Sie den Luftfilter aus, falls er für eine Reinigung zu stark verschmutzt ist. Tauschen Sie einen beschädigten Luftfilter unbedingt aus.
4. Wenn sich in Ihrem Gerät ein Luftfilter aus Schaumstoff befindet, tragen Sie Luftfilteröl auf. Verwenden Sie Luftfilteröl ausschließlich bei Schaumstofffiltern. Tragen Sie auf keinen Fall Öl auf einen Filzfilter auf.



**WARNUNG:** Lassen Sie das Öl nicht auf die Haut kommen.

### So tragen Sie Luftfilteröl auf den Luftfilter auf



**ACHTUNG:** Verwenden Sie grundsätzlich spezielles Luftfilteröl auf Schaumstoff-

1. Nehmen Sie Luftfilterdeckel und Luftfilter ab. (Abb. 61)
2. Stecken Sie den Luftfilter in einen Plastikbeutel.
3. Schütten Sie das Luftfilteröl in den Plastikbeutel. (Abb. 62)
4. Drücken Sie die Plastiktüte, um sicherzustellen, dass sich das Öl gleichmäßig über den Luftfilter verteilt.
5. Drücken Sie auf den Luftfilter in dem Beutel, um überflüssiges Luftfilteröl zu entfernen. Nehmen Sie den Luftfilter aus dem Beutel.
6. Montieren Sie den Luftfilter.

### So fetten Sie das Winkelgetriebe nach

Stellen Sie sicher, dass das Winkelgetriebe zu 3/4 mit Schmiermittel gefüllt ist.

(Abb. 63)

## TECHNISCHE DATEN

	Einheit	129C (A05328CCHV)	129L (A05328CSHV)	129LK (A05328CSHV)
<b>Technische Daten des Motors</b>				
Hubraum	cm <sup>3</sup>	27,6	27,6	27,6
Elektrodenabstand	mm	0,5	0,5	0,5
Kraftstofftankinhalt	cm <sup>3</sup>	343	343	343
Leerlaufdrehzahl	min <sup>-1</sup>	2800 - 3200	2800 - 3200	2800 - 3200
Maximale Motorleistung	min <sup>-1</sup>	8000	8000	8000
Ausgangsleistung	kW	0,85	0,85	0,85
Zündkerze		Husqvarna HQT-4	Husqvarna HQT-4	Husqvarna HQT-4
Maximale Ausgangsleistung der Wellendrehung	min <sup>-1</sup>	8500	7200	7200
<b>Lärm- und Vibrationsdaten</b>				
Äquivalente Vibrationspegel (ahv, eq), linker Griff - siehe Hinweis 1	m/s <sup>2</sup>	3,64	9,9	9,9
Äquivalente Vibrationspegel (ahv, eq), rechter Griff - siehe Hinweis 1	m/s <sup>2</sup>	3,59	8,9	8,9
Schalleistungspegel, garantiert (L <sub>WA</sub> ) - siehe Hinweis 2	dB(A)	114	114	114

Schalleistungspegel, gemessen - siehe Hinweis 2	dB(A)	106	105	106
Schalldruckpegel am Ohr des Bedieners - siehe Hinweis 3	dB(A)	93	95	95
<b>Produktabmessungen</b>				
Gewicht (ohne Schneidausrüstung)	kg	4,61	5,21	5,98
<p><b>Hinweis 1:</b> Berichten zufolge liegt der äquivalente Vibrationspegel normalerweise bei einer Ausbreitungsklasse (Standardabweichung) von 1 m/s<sup>2</sup>.</p> <p><b>Hinweis 2:</b> Umweltbelastende Geräuschemissionen, gemessen als Schalleistung (L<sub>WA</sub>) gemäß EG-Richtlinie 2000/14/EG. Der aufgezeichnete Lautstärkepegel für das Gerät wurde unter Verwendung der originalen Schneidausrüstung mit dem höchsten Pegel gemessen. Die Differenz zwischen garantiertem und gemessenem Schalleistungspegel besteht darin, dass beim garantierten Schalleistungspegel auch eine Streuung im Messergebnis und Variationen zwischen verschiedenen Geräten desselben Modells gemäß der Richtlinie 2000/14/EG berücksichtigt werden.</p> <p><b>Hinweis 3:</b> Berichten zufolge liegt der Schalldruckpegel für dieses Gerät normalerweise bei einer Ausbreitungsklasse (Standardabweichung) von 1 dB(A).</p>				

---

## ZUBEHÖR

---

<b>129C</b>		
<b>Zugelassenes Zubehör</b>	<b>Typ</b>	<b>Schutz für die Schneidausrüstung</b>
Messerrwelle (3/8 R)		
Trimmerkopf	T25 (Ø 2,0 - 2,4 mm)	580 44 66-10
<b>129L, 129LK</b>		
<b>Zugelassenes Zubehör</b>	<b>Typ</b>	<b>Schutz für die Schneidausrüstung</b>
Führungsrohr mit Gewinde (M10L)		
Trimmerkopf	T25 (Ø 2,0 - 2,4 mm)	580 44 66-06

<b>Optionales Zubehör</b>	<b>Typ</b>	<b>Verwenden mit</b>
Kehrmaschinenzusatz mit Führungsrohr	SR600	129LK
Heckenscherenaufsatz mit Führungsrohr	HA850	129LK
Kantenschneiderzusatz mit Führungsrohr	EA850	129LK
Sägezusatz mit Führungsrohr	PA1100	129LK
Kultivatoraufsatz mit Führungsrohr	CA150	129LK
Rasentrimmerzusatz mit Führungsrohr	TA850	129LK
Sägezusatz mit Führungsrohr	PAX1100	129LK
Sägezusatz mit Führungsrohr	PAX730	129LK

---

# INHALT DER EU-KONFORMITÄTSERKLÄRUNG

---

Wir, Husqvarna AB, SE 561 82 Huskvarna, SCHWEDEN, erklären in alleiniger Verantwortung, dass das Gerät Folgendem genügt:

Beschreibung	Benzinbetriebener Rasentrimmer/Motorsense
Marke	Husqvarna
Plattform/Typ/Modell	Plattform A05328CCHV, Modell 129C  Plattform A05328CSHV, Modelle 129L und 129LK
Charge	Seriennummer ab Baujahr 2013

Es erfüllt die folgenden EU-Vorschriften und -Richtlinien:

Richtlinie/Verordnung	Beschreibung
2006/42/EG	Maschinenrichtlinie
2014/30/EG	EMV-Richtlinie
2000/14/EG	Richtlinie über umweltbelastende Geräuschemissionen

Harmonisierte Normen und/oder technische Spezifikationen gelten wie folgt: EN ISO 12100, EN ISO 11806-1, CISPR 12, ISO 14982

Die im Abschnitt „Technische Daten“ in dieser Bedienungsanleitung und in der signierten EU-Konformitätserklärung angegebenen Schallwerte entsprechen der EU-Richtlinie 2000/14/EG, Anhang V.

Der TÜV Rheinland N.A. führte im Auftrag von Husqvarna AB eine freiwillige Typenprüfung durch, und stellte eine Konformitätsbescheinigung nach EG-Richtlinie 2006/42/EG für Maschinen aus.

Das Zertifikat, wie auf der unterzeichneten EU-Konformitätserklärung angegeben, gilt für alle Fertigungsstandorte und Ursprungsländer, wie auf dem Gerät angegeben.

Der gelieferte benzinbetriebene Trimmer/die Motorsense entspricht dem Exemplar, das der EU-Typenprüfung unterzogen wurde.

---

# Sommaire

---

INTRODUCTION.....	29	CARACTÉRISTIQUES TECHNIQUES.....	37
SÉCURITÉ.....	30	ACCESSOIRES.....	38
MONTAGE.....	33	CONTENU DE LA DÉCLARATION DE CONFORMITÉ DE LA CE.....	38
FONCTIONNEMENT.....	34	.....	0
ENTRETIEN.....	35		

---

## INTRODUCTION

---

### Manuel de l'opérateur

La langue d'origine du présent manuel d'utilisation est l'anglais. Les manuels d'utilisation disponibles dans d'autres langues sont des traductions de l'anglais.

### Aperçu

(Fig. 1 )

1. Tête de désherbage
2. Bouchon de remplissage en graisse
3. Renvoi d'angle
4. Protection pour l'équipement de coupe
5. Arbre
6. Raccord du tube de transmission
7. Poignée anneau
8. Gâchette d'accélération
9. Bouton d'arrêt
10. Blocage de la gâchette d'accélération
11. Chapeau de bougie, bougie
12. Corps du lanceur
13. Poignée du câble du démarreur
14. Réservoir de carburant
15. Couvercle de filtre à air
16. Pompe à carburant
17. Starter
18. Toc d'entraînement
19. Manuel d'utilisation

### Symboles concernant le produit

(Fig. 2 ) Avertissement

(Fig. 3 ) Lisez attentivement ce manuel.

(Fig. 4 ) Utilisez un casque homologué.

(Fig. 5 ) Utilisez des protège-oreilles agréés.

(Fig. 6 ) Utilisez des protections pour les yeux homologuées.

(Fig. 7 ) Utilisez des gants de protection homologués.

(Fig. 8 ) Utilisez des chaussures/bottes de protection.

(Fig. 9 ) Le produit peut entraîner la projection d'objets, ce qui peut causer des lésions oculaires.

(Fig. 10 ) Le produit peut entraîner la projection d'objets, ce qui peut causer des lésions oculaires.

(Fig. 11 ) Régime max. de l'arbre de sortie.

(Fig. 12 ) Distance de sécurité

(Fig. 13 ) Utilisez uniquement un fil de coupe homologué. N'utilisez pas de lame.

(Fig. 14 ) N'utilisez pas un équipement de coupe en métal.

(Fig. 15 ) Assurez-vous que les cheveux longs sont attachés au-dessus des épaules.

(Fig. 16 ) Les flèches indiquent les limites de la position de la poignée.

(Fig. 17 ) Niveau de puissance sonore

(Fig. 18 ) Niveau sonore

(Fig. 19 ) Le produit est conforme aux directives CE en vigueur.

(Fig. 20 ) Le produit est conforme aux directives EAC en vigueur.

(Fig. 21 ) Le produit est conforme aux directives ukrainiennes en vigueur.

---

**Remarque:** Les autres symboles/autocollants présents sur le produit concernent des exigences de certification spécifiques à d'autres zones commerciales.

---

## Responsabilité

Conformément à la loi sur la responsabilité du fait des produits, nous déclinons toute responsabilité pour tout dommage causé par notre produit si :

- le produit n'est pas correctement réparé ;
- le produit est réparé avec des pièces qui ne proviennent pas du fabricant ou qui ne sont pas homologuées par le fabricant ;

- le produit est équipé d'un accessoire qui ne provient pas du fabricant ou qui n'est pas homologué par le fabricant.
- le produit n'est pas réparé par un centre d'entretien agréé ou par une autorité homologuée.

---

## SÉCURITÉ

---

### Définitions de sécurité

Les définitions ci-dessous indiquent le niveau de gravité pour chaque mention d'avertissement.



**AVERTISSEMENT:** Blessures aux personnes.



**REMARQUE:** Dommages au produit.

**Remarque:** Cette information facilite l'utilisation du produit.

### Instructions générales de sécurité

- Utilisez le produit correctement. Une utilisation inappropriée peut causer des blessures graves, voire mortelles. Utilisez uniquement le produit pour les tâches décrites dans le présent manuel. N'utilisez pas ce produit pour d'autres travaux.
- Respectez les instructions de ce manuel. Respectez les symboles et les instructions de sécurité. Le non-respect des instructions et des symboles par l'opérateur peut causer des blessures graves, voire mortelles, ou des dommages.
- Ne jetez pas ce manuel. Utilisez les instructions pour assembler, utiliser et conserver votre produit en bon état. Utilisez les instructions pour l'installation appropriée des équipements et accessoires. Utilisez uniquement des équipements et accessoires homologués.
- N'utilisez pas de produit endommagé. Respectez le schéma d'entretien. Effectuez uniquement les travaux d'entretien dont les instructions sont comprises dans ce manuel. Tous les autres travaux d'entretien doivent être effectués par un centre d'entretien agréé.
- Ce manuel ne peut pas inclure toutes les situations qui peuvent se produire lorsque vous utilisez le produit. Soyez prudent et utilisez votre bon sens. N'utilisez pas ou n'effectuez pas de travaux d'entretien sur le produit si vous n'êtes pas sûr de la situation. Contactez un spécialiste du produit, votre revendeur, votre agent d'entretien ou centre d'entretien agréé pour plus d'informations.
- Déconnectez la bougie avant d'assembler, de stocker ou d'effectuer l'entretien du produit.
- N'utilisez pas le produit si ses caractéristiques initiales ont été changées. Ne remplacez pas une pièce du produit sans l'approbation du fabricant. Utilisez uniquement les pièces qui sont approuvées par le fabricant. Un entretien inapproprié peut causer des blessures graves, voire mortelles.
- Ne respirez pas les fumées provenant du moteur. À long terme, l'inhalation de gaz d'échappement dégagés par le moteur constitue un danger pour la santé.
- Ne démarrez pas le produit dans un local clos ou à proximité de matériaux inflammables. Les gaz d'échappement sont très chauds et peuvent contenir une étincelle pouvant provoquer un incendie. Un débit d'air insuffisant peut causer des blessures graves, voire mortelles dues à une asphyxie ou au monoxyde de carbone.
- Lorsque vous utilisez ce produit, le moteur crée un champ électromagnétique. Le champ électromagnétique peut endommager les implants médicaux. Consultez votre médecin et le fabricant de votre implant avant d'utiliser ce produit.
- Ne laissez pas un enfant utiliser le produit. Ne laissez personne utiliser le produit sans en connaître les instructions d'utilisation.
- Assurez-vous de toujours surveiller une personne aux capacités physiques ou mentales réduites qui utilise le produit. Un adulte responsable doit être présent à tout moment.
- Stockez le produit dans une zone dont l'accès est fermé aux enfants et aux personnes non autorisées.
- Le produit peut projeter des objets et causer des blessures. Respectez les consignes de sécurité afin de réduire le risque de blessures graves ou mortelles.
- Ne vous éloignez pas du produit lorsque le moteur est allumé.
- L'opérateur du produit est tenu responsable en cas d'accident.
- Assurez-vous que les pièces ne soient pas endommagées avant d'utiliser le produit.

- Assurez-vous de maintenir une distance minimum de 15 m (50 ft) entre vous et les autres personnes ou animaux avant d'utiliser le produit. Assurez-vous que toute personne présente dans une zone adjacente sache que vous allez utiliser le produit.
- Référez-vous aux lois nationales ou locales. Elles peuvent empêcher ou limiter le fonctionnement du produit dans certaines conditions.
- N'utilisez pas le produit si vous êtes fatigué ou sous l'emprise d'alcool, de drogues ou de médicaments. Ces facteurs sont susceptibles d'affecter votre vue, votre vigilance, votre coordination ou votre jugement.

## Consignes de sécurité pour le fonctionnement

- Assurez-vous que le produit est complètement assemblé avant de l'utiliser.
- Assurez-vous de démarrer le produit 3 m (10 ft) loin de l'endroit où vous avez rempli le réservoir de carburant. Placez le produit sur une surface plane. Vérifiez que l'équipement de coupe ne touche pas le sol ou tout autre objet.
- Le produit peut entraîner la projection d'objets, ce qui peut causer des lésions oculaires. Utilisez toujours des protections pour les yeux homologuées lorsque vous faites fonctionner le produit.
- Soyez prudent, un enfant peut se trouver à proximité du produit durant son fonctionnement sans que vous en ayez connaissance.
- N'utilisez pas le produit si des personnes sont présentes dans la zone de travail. Arrêtez le produit si une personne pénètre dans la zone de travail.
- Assurez-vous de toujours garder le contrôle du produit.
- N'utilisez pas ce produit si vous ne pouvez pas être secouru en cas d'accident. Assurez-vous que d'autres personnes sachent que vous allez utiliser le produit avant de commencer.
- Ne tournez pas avec le produit avant de vous assurer qu'aucune personne ni aucun animal ne se trouvent dans la zone de sécurité.
- Retirez tous les matériaux indésirables de la zone de travail avant de commencer. Si l'équipement de coupe heurte un objet, l'objet peut être projeté et causer des blessures ou des dommages. Les matériaux indésirables peuvent s'enrouler autour de l'équipement de coupe et causer des dommages.
- N'utilisez pas le produit par mauvais temps (brouillard, pluie, vents violents, risque d'éclairs ou autres conditions climatiques). Le mauvais temps peut créer des conditions de travail dangereuses (telles que des surfaces glissantes).
- Assurez-vous que vous pouvez vous déplacer librement et travailler dans une position stable (Fig. 22)
- Assurez-vous que vous ne pouvez pas tomber lorsque vous utilisez le produit. Ne vous inclinez pas lorsque vous utilisez le produit.

- Tenez toujours le produit avec vos deux mains. Tenez l'appareil du côté droit du corps. (Fig. 23)
- Utilisez le produit avec l'équipement de coupe sous le niveau de votre taille.
- Si la commande du starter est sur la position de starter lorsque le moteur démarre, l'équipement de coupe commence à tourner.
- Ne touchez pas le renvoi d'angle après l'arrêt du moteur. Le renvoi d'angle est chaud après l'arrêt du moteur. Les zones de chaleur peuvent causer des blessures.
- Arrêtez le moteur avant de déplacer le produit.
- Ne posez pas le produit lorsque le moteur est allumé.
- Avant de retirer les matériaux indésirables du produit, arrêtez le moteur et attendez jusqu'à l'arrêt de l'équipement de coupe. Attendez l'arrêt de l'équipement de coupe avant de retirer la matière coupée.

## Équipement de protection individuelle

- Utilisez toujours un équipement de protection individuel approprié lorsque vous faites fonctionner le produit. L'équipement de protection individuel n'empêche pas le risque de blessures. L'équipement de protection individuel diminue la gravité des blessures en cas d'accident.
- Utilisez toujours des protections pour les yeux homologuées pendant que vous faites fonctionner le produit.
- N'utilisez pas le produit pieds nus ou avec des chaussures ouvertes. Utilisez toujours des bottes antidérapantes robustes.
- Utilisez des pantalons longs et épais.
- Si nécessaire, utilisez des gants de protection homologués.
- Utilisez un casque s'il est possible que des objets tombent sur votre tête.
- Utilisez toujours des protections auditives homologuées lorsque vous faites fonctionner le produit. Une exposition au bruit sur de longues périodes peut provoquer une perte d'audition.
- Assurez-vous de disposer d'une trousse de premiers soins à proximité.

## Dispositifs de protection sur le produit

- Assurez-vous de régulièrement entretenir le produit.
  - La durée de vie du produit augmente.
  - Le risque d'accident diminue.
- Laissez un revendeur ou un centre d'entretien agréé régulièrement examiner le produit pour effectuer des réglages ou des réparations.
- N'utilisez pas un produit dont les équipements de protection sont endommagés. Si le produit est endommagé, contactez un centre d'entretien agréé.

## Blocage de la gâchette d'accélération

Le blocage de la gâchette d'accélération verrouille la gâchette d'accélération.

(Fig. 24)

Appuyez sur le blocage de la gâchette d'accélération (A) pour relâcher la gâchette d'accélération (B). Lorsque vous relâchez la poignée, le blocage de la gâchette d'accélération et la gâchette d'accélération reviennent à leurs positions initiales.

1. Assurez-vous que la gâchette d'accélération (B) est verrouillée en position de ralenti lorsque vous relâchez le blocage de la gâchette d'accélération (A).
2. Appuyez sur le blocage de la gâchette d'accélération (A) et assurez-vous qu'il retourne à sa position initiale lorsque vous le relâchez.
3. Appuyez sur la gâchette d'accélération (B) et assurez-vous qu'elle retourne à sa position initiale lorsque vous la relâchez.

Démarrez le moteur, puis faites-le tourner à plein régime. Relâchez la gâchette d'accélération et vérifiez si l'équipement de coupe s'arrête. Si l'équipement de coupe tourne avec la gâchette en position de ralenti, vérifiez la vis de réglage du carburateur.

## Bouton d'arrêt

Démarrez le moteur. Assurez-vous que le moteur s'arrête lorsque vous mettez le bouton d'arrêt en position stop.

(Fig. 25)

## Protection pour l'équipement de coupe

La protection de l'équipement de coupe protège l'opérateur des projections d'objets.

(Fig. 26)

Vérifiez la protection pour l'équipement de coupe afin de détecter d'éventuels dommages et remplacez-la si elle est endommagée. Utilisez uniquement la protection homologuée pour l'équipement de coupe.

## Silencieux

- N'utilisez pas un moteur dont le silencieux est endommagé. Un silencieux endommagé augmente le niveau sonore et le risque d'incendie. Gardez un extincteur à proximité.
- Vérifiez régulièrement que le silencieux est bien fixé sur le produit.
- Ne touchez pas le moteur ni le silencieux quand le moteur est allumé. Ne touchez pas le moteur ni le silencieux peu après l'arrêt du moteur. Les surfaces chaudes peuvent causer des blessures.
- La chaleur du silencieux peut provoquer un incendie. Soyez prudent si vous utilisez le produit à proximité de liquides inflammables ou de fumées.
- Ne touchez pas les pièces à l'intérieur du silencieux si celui-ci est endommagé. Les pièces peuvent contenir certains produits chimiques cancérigènes.

## Équipement de coupe

- Effectuez un entretien régulier. Laissez un centre d'entretien agréé régulièrement examiner l'équipement de coupe pour effectuer des réglages ou des réparations.
- Les performances de l'équipement de coupe s'améliorent.
- La durée de vie de l'équipement de coupe augmente.
- Le risque d'accident diminue.
- Utilisez uniquement la protection homologuée pour l'équipement de coupe. Pour plus d'informations, consultez *CARACTÉRISTIQUES TECHNIQUES* à la page 37.
- N'utilisez pas un équipement de coupe endommagé.

## Tête de désherbage

- Assurez-vous d'enrouler le fil du coupe-herbe fermement et uniformément autour du tambour pour réduire la vibration.
- Utilisez uniquement des têtes de désherbage et fils de coupe-herbe homologués. Consultez la section *CARACTÉRISTIQUES TECHNIQUES* à la page 37.
- Utilisez une longueur appropriée de fil de coupe-herbe. Un fil de coupe-herbe long utilise plus de puissance moteur qu'un fil de coupe-herbe court.
- Assurez-vous que le couteau monté sur la protection pour l'équipement de coupe n'est pas endommagé.
- Trempez le fil de coupe-herbe dans de l'eau pendant 2 jours avant de le monter sur le produit. Cela permet d'augmenter la durée de vie du fil de coupe-herbe.

## Sécurité carburant

- Ne démarrez pas le produit si du carburant ou de l'huile moteur a été renversé(e) sur le produit. Essayez le carburant/l'huile et attendez que le produit sèche. Essayez le carburant déversé sur le produit.
- Si vous avez renversé du carburant sur vos vêtements, changez de vêtements immédiatement.
- Évitez tout contact de la peau avec le carburant. Le carburant peut causer des blessures. Si votre peau entre en contact avec le carburant, lavez les parties qui ont été en contact avec de l'eau et du savon.
- Ne démarrez pas le moteur si vous avez renversé de l'huile ou du carburant sur le produit ou sur vous.
- Ne démarrez pas le produit s'il y a une fuite de moteur. Vérifiez régulièrement s'il y a des fuites de moteur.
- Faites attention avec le carburant. Le carburant est inflammable et ses vapeurs sont explosives. Il peut causer des blessures graves, voire mortelles.
- Ne respirez pas les vapeurs de carburant, elles peuvent causer des blessures. Assurez-vous que la ventilation est suffisante.



- Ne fumez pas à proximité du carburant ou du moteur.
- Ne mettez pas d'objets chauds à proximité du carburant ou du moteur.
- N'ajoutez pas de carburant lorsque le moteur est allumé.
- Assurez-vous que le moteur est froid avant de faire le plein de carburant.
- Avant de faire le plein, ouvrez le bouchon du réservoir de carburant lentement et relâchez la pression avec précaution.
- N'ajoutez pas de carburant au moteur dans un espace intérieur. Un débit d'air insuffisant peut causer des blessures graves, voire mortelles dues à une asphyxie ou au monoxyde de carbone.
- Serrez le bouton du réservoir de carburant avec précaution afin d'éviter tout risque d'incendie.
- Déplacez le produit à un minimum de 3 m (10 ft) de l'endroit où a été fait le plein de carburant avant de démarrer le produit.
- Ne remplissez pas trop le réservoir de carburant.
- Assurez-vous qu'aucune fuite ne peut se produire lorsque vous déplacez le produit ou le bidon de carburant.
- Ne placez pas le produit ni le bidon de carburant dans un espace où il y a une flamme nue, des étincelles ou une veilleuse d'allumage. Assurez-vous qu'il n'y a pas de flamme nue dans le lieu de stockage.
- Utilisez uniquement des récipients homologués pour le transport et le stockage de carburant.
- Avant de remiser le produit pour une période prolongée, videz le réservoir de carburant. Respectez la législation locale sur les lieux d'élimination du carburant.
- Nettoyez le produit avant de le remiser pour une période prolongée.
- Retirez la bougie avant de remiser le produit afin de s'assurer que le moteur ne démarre pas par inadvertance.

## Consignes de sécurité pour l'entretien

- Si vous ne pouvez pas régler le régime de ralenti pour arrêter l'équipement de coupe, contactez votre centre d'entretien. N'utilisez pas le produit tant qu'il n'est pas correctement réglé ou réparé.

---

## MONTAGE

---



**AVERTISSEMENT:** Lisez le chapitre dédié à la sécurité avant de monter le produit.

### Pour fixer la poignée anneau

1. Fixez la poignée anneau sur l'arbre conformément à l'illustration et serrez.(Fig. 27 )
2. Assurez-vous de fixer la poignée anneau entre les flèches situées sur l'arbre.

### Pour monter le tube de transmission démontable

1. Tournez le bouton pour desserrer le raccord du tube de transmission.(Fig. 28 )
2. Alignez la languette du tube (A) sur la flèche du raccord du tube de transmission (B).(Fig. 29 )
3. Poussez le tube dans le raccord du tube de transmission jusqu'à ce qu'il soit attaché.(Fig. 30 )
4. Assurez-vous de serrer le bouton avant d'utiliser le produit.(Fig. 31 )

### Pour démonter le tube de transmission démontable

1. Tournez le bouton pour desserrer le raccord du tube de transmission.(Fig. 32 )

2. Appuyez sur le bouton (C) et le maintenir enfoncé. (Fig. 33 ) Maintenez l'extrémité du moteur et tirez sur le tube de transmission pour le retirer du raccord.

### Pour monter l'équipement de coupe

#### Pour fixer la protection pour l'équipement de coupe et la tête de désherbage (arbre droit)

1. Fixez la protection de l'équipement de coupe (A) sur l'arbre à l'aide du boulon (L).(Fig. 34 ) Assurez-vous d'utiliser la protection pour l'équipement de coupe et la tête de désherbage appropriées.
2. Fixez le toc d'entraînement (B) sur l'axe sortant.
3. Faites tourner l'axe sortant jusqu'à ce que le trou du toc d'entraînement coïncide avec le trou correspondant du carter.
4. Placez un petit tournevis (C) dans le trou afin de bloquer l'arbre.(Fig. 35 )
5. Tournez la tête de désherbage (H) dans le sens contraire des aiguilles d'une montre pour fixer fermement la tête de désherbage au carter. (Filetages à gauche.)(Fig. 36 )

#### Pour fixer la protection pour l'équipement de coupe et la tête de désherbage (arbre courbé)

1. Fixez la protection.(Fig. 37 ) Serrez l'écrou.
2. Fixez le pare-poussière sur l'arbre.(Fig. 38 )
3. Maintenez le pare-poussière avec une clé réglable pour veiller à ce que l'arbre ne tourne pas.

- Fixez la tête de désherbage sur l'arbre. Tournez la tête de désherbage dans le sens des aiguilles d'une montre.

## FONCTIONNEMENT



**AVERTISSEMENT:** Assurez-vous de lire et de comprendre le chapitre dédié à la sécurité avant d'utiliser le produit.

### Carburant

#### Pour utiliser le carburant



**REMARQUE:** Ce produit est équipé d'un moteur à deux temps. Utilisez un mélange d'essence et d'huile moteur à deux temps. Assurez-vous d'utiliser la quantité correcte d'huile dans le mélange. Un rapport incorrect d'essence et d'huile peut endommager le moteur.

### Essence



**REMARQUE:** N'utilisez pas d'essence avec un indice d'octane inférieur à 90 RON (87 AKI). Cela peut endommager le produit.



**REMARQUE:** N'utilisez pas d'essence avec une concentration d'éthanol (E10) supérieure à 10 %. Cela peut endommager le produit.

- Utilisez toujours de l'essence sans plomb neuve avec un indice d'octane minimal de 90 RON (87 AKI) et une concentration d'éthanol (E10) inférieure à 10 %.
- Utilisez de l'essence avec un numéro d'octane supérieur si vous utilisez fréquemment le produit à une vitesse du moteur élevée en continu.

### Huile moteur à deux temps

- Utilisez uniquement une huile moteur à deux temps de haute qualité. Utilisez uniquement une huile moteur refroidie par air.
- N'utilisez pas d'autres types d'huile.
- Ratio de mélange 50:1 (2 %)

Essence	Huile
1 U.S. Gal.	77 ml (2,6 oz)
1 UK gal.	95 ml (3,2 oz)
5 l	100 ml (3,4 oz)

### Pour effectuer le mélange de carburant

**Remarque:** Utilisez toujours un bidon de carburant propre lorsque vous mélangez le carburant.

**Remarque:** Ne préparez pas une quantité de mélange de carburant pour plus de 30 jours.

- Ajoutez la moitié de la quantité d'essence.
- Ajoutez la quantité totale d'huile.
- Agitez le mélange de carburant pour mélanger le contenu.
- Ajoutez la quantité d'essence restante.
- Agitez le mélange de carburant pour mélanger le contenu.
- Remplissez le réservoir de carburant.

### Pour ajouter du carburant

- Utilisez toujours un bidon d'essence comportant un dispositif d'arrêt de remplissage automatique.
- Si un peu de carburant se déverse sur le bidon, essuyez le carburant et laissez sécher le bidon.
- Assurez-vous que la zone proche du bouchon du réservoir de carburant est propre.
- Agitez le bidon de carburant avant de verser le mélange de carburant dans le réservoir.

### Pour démarrer et arrêter

#### Avant de faire démarrer le moteur

- Vérifiez que le produit n'a pas de pièce manquante, endommagée, desserrée ou usée.
- Vérifiez les écrous, les vis et les boulons.
- Vérifiez le filtre à air.
- Vérifiez que le blocage de la gâchette d'accélération et la commande d'accélération fonctionnent correctement.
- Vérifiez que le bouton d'arrêt fonctionne correctement.
- Vérifiez qu'il n'y a pas de fuites de carburant au niveau du produit.
- Vérifiez que la chaîne de sciage est affûtée et tendue.

#### Pour démarrer un moteur froid

- Appuyez 10 fois sur la poire d'amorçage.(Fig. 39 )
- Tirez la commande de starter.(Fig. 40 )
- Plaquez l'appareil contre le sol à l'aide de votre main gauche.(Fig. 41 ) Ne marchez pas sur le produit.

Tirez la poignée du câble du démarreur lentement jusqu'à ce qu'une résistance se fasse sentir. Ensuite, tirez la poignée du câble du démarreur avec force.

**Remarque:** Ne tirez pas la gâchette d'accélération pendant que vous démarrez le moteur.

- Continuez à tirer la poignée du câble du démarreur jusqu'à ce que le moteur démarre ou essaie de démarrer (max. 3 fois). Lors du démarrage ou de la tentative de démarrage du moteur, abaissez la commande de starter. Continuez à tirer jusqu'à ce que le moteur démarre. Patientez 60 secondes après le démarrage avant de tirer la gâchette d'accélération.



**REMARQUE:** Ne tirez pas sur le câble du démarreur avant que le moteur s'arrête. Ne lâchez pas le câble du démarreur lorsqu'il est complètement déployé. Relâchez lentement le câble du démarreur. Le non-respect de ces instructions peut endommager le moteur.

### Pour démarrer un moteur chaud

- Appuyez 10 fois sur la poire d'amorçage.
- Tirez le câble du démarreur jusqu'à ce que le moteur démarre.

### Pour arrêter

- Appuyez sur le bouton d'arrêt pour arrêter le moteur. (Fig. 42)

**Remarque:** Le bouton d'arrêt revient automatiquement à sa position initiale.

### Pour faire fonctionner le coupe-herbe



**REMARQUE:** Assurez-vous de mettre le moteur au régime de ralenti après chaque utilisation. Une longue période à plein

régime sans charge sur le moteur peut endommager le moteur.

**Remarque:** Nettoyez la protection de la tête de désherbage lorsque vous fixez un nouveau fil de coupe-herbe pour éviter les vibrations. Vérifiez les autres parties de la tête de désherbage et nettoyez-les si nécessaire.

### Pour tondre l'herbe

- Maintenez la tête de désherbage juste au-dessus du sol et inclinez-la. (Fig. 43) Ne poussez pas le coupe-herbe dans l'herbe.
- Réduisez la longueur du fil de coupe-herbe de 10-12 cm (4-4,75 in) et diminuez la vitesse du moteur afin de limiter le risque d'endommager les plantes.
- Baissez le régime à 80 % lorsque vous coupez l'herbe à proximité d'objets. (Fig. 44)

### Pour couper l'herbe

- Assurez-vous que le fil du coupe-herbe est parallèle au sol lorsque vous coupez l'herbe. (Fig. 45)
- N'appuyez pas la tête de désherbage sur le sol. Le sol et le produit peuvent être endommagés.
- Ne laissez pas la tête de désherbage toucher le sol en continu. Cela peut endommager la tête de désherbage.
- Faites tourner le moteur à plein régime lorsque vous déplacez le produit de gauche à droite pour couper l'herbe. (Fig. 46) Assurez-vous que le fil du coupe-herbe est parallèle au sol.

### Pour remplacer le fil de coupe

(Fig. 47)  
(Fig. 48)  
(Fig. 49)  
(Fig. 50)  
(Fig. 51)  
(Fig. 52)  
(Fig. 53)  
(Fig. 54)

## ENTRETIEN



**AVERTISSEMENT:** Assurez-vous de lire et de comprendre le chapitre sur la sécurité avant de nettoyer, de réparer ou de procéder à l'entretien du produit.

### Schéma d'entretien

Assurez-vous de respecter le schéma d'entretien. Les intervalles sont calculés selon une utilisation quotidienne du produit. Les intervalles sont différents si vous n'utilisez pas le produit tous les jours. Effectuez uniquement les travaux d'entretien décrits dans ce

manuel. Contactez un centre d'entretien agréé pour effectuer d'autres travaux d'entretien ne figurant pas dans ce manuel.

#### Entretien hebdomadaire

- Nettoyez les surfaces externes.
- Vérifiez le régime de ralenti.
- Vérifiez le graissage du renvoi d'angle (arbre droit).

#### Entretien mensuel

- Vérifiez la poignée du câble du démarreur et le câble du démarreur.

## Maintenance annuelle

- Vérifiez la bougie.
- Appliquez de la graisse sur l'extrémité de l'arbre d'entraînement (tube de transmission démontable).
- Nettoyez les surfaces externes du carburateur et les zones adjacentes.
- Nettoyer le système de refroidissement.
- Vérifiez l'écran pare-étincelles.
- Vérifiez le filtre à carburant.
- Vérifiez le tuyau de carburant afin de détecter d'éventuels dommages.
- Vérifiez tous les câbles et toutes les connexions.

## Entretien après 50 heures

- Adressez-vous à un centre d'entretien agréé pour la réparation ou le remplacement du silencieux.

## Pour régler le régime de ralenti

- Assurez-vous que le filtre à air est propre et que le couvercle de filtre à air est fixé avant de régler le régime de ralenti.
  - Réglez le régime de ralenti à l'aide de la vis de réglage T identifiée par le repère « T ».
  - Le régime de ralenti est correct lorsque le moteur fonctionne sans à-coups dans toutes les positions. Le régime de ralenti doit être inférieur à la vitesse lorsque l'équipement de coupe commence à tourner.
1. Tournez la vis de réglage T dans le sens des aiguilles d'une montre jusqu'à ce que l'équipement de coupe commence à tourner.(Fig. 55 )
  2. Tournez la vis de réglage T dans le sens contraire des aiguilles d'une montre jusqu'à l'arrêt de l'équipement de coupe.

## Pour effectuer l'entretien de l'écran pare-étincelles

Utilisez une brosse métallique pour nettoyer l'écran pare-étincelles.  
(Fig. 56 )

## Pour nettoyer le circuit de refroidissement

Nettoyez les pièces du circuit de refroidissement avec une brosse.

(Fig. 57 )

## Pour vérifier la bougie



**REMARQUE :** Utilisez la bougie recommandée. Assurez-vous que la bougie de remplacement est la même que celle fournie par le fabricant. Une bougie inappropriée peut endommager le produit.

1. Vérifiez la bougie lorsque :
  - a) le moteur manque de puissance ;

- b) le moteur ne démarre pas facilement ;
  - c) le moteur ne fonctionne pas correctement lorsqu'il tourne au régime de ralenti.
2. Si le moteur a du mal à démarrer ou à fonctionner, vérifiez la présence de matériaux indésirables au niveau de la bougie. Afin de réduire le risque de matériaux indésirables présents sur les électrodes de la bougie :
    - a) assurez-vous que le régime de ralenti est correctement réglé ;
    - b) assurez-vous que le mélange de carburant est correct ;
    - c) assurez-vous que le filtre à air est propre.
  3. Nettoyez la bougie si elle est sale. Vérifiez que l'écartement des électrodes est correct.(Fig. 58 )
  4. Remplacez la bougie lorsque nécessaire.

## Pour graisser le tube de transmission démontable

- Appliquez de la graisse sur l'extrémité de l'arbre d'entraînement après toutes les 30 heures de fonctionnement.(Fig. 59 )

## Pour entretenir le filtre à air

### Pour nettoyer le filtre à air

1. Retirez le couvercle du filtre à air et le filtre à air.(Fig. 60 )
2. Nettoyez le filtre à air avec de l'eau chaude savonneuse. Assurez-vous que le filtre à air est sec avant de l'installer.
3. Remplacez le filtre à air s'il est trop sale pour le nettoyer complètement. Remplacez toujours un filtre à air endommagé.
4. Si votre produit est équipé d'un filtre à air en mousse, appliquez de l'huile pour filtre à air. Appliquez de l'huile pour filtre à air uniquement sur un filtre en mousse. N'appliquez pas d'huile sur un filtre en feutre.

### Pour appliquer de l'huile de filtre à air sur un filtre en mousse



**REMARQUE :** Utilisez toujours de l'huile spéciale pour filtre à air sur les filtres à air en mousse. N'utilisez pas d'autres types d'huile.



**AVERTISSEMENT :** Évitez tout contact de la peau avec l'huile.

1. Retirez le couvercle du filtre à air et le filtre à air.(Fig. 61 )
2. Mettez le filtre à air dans un sachet en plastique.

3. Versez l'huile de filtre à air dans le sachet en plastique.(Fig. 62 )
4. Pressez le sachet en plastique pour s'assurer que l'huile graisse uniformément le filtre à air.
5. Pressez le filtre à air à l'intérieur du sachet pour enlever le surplus d'huile de filtre à air. Retirez le filtre à air du sachet.

6. Installez le filtre à air.

### Pour graisser pour le renvoi d'angle

Assurez-vous que le renvoi d'angle est aux 3/4 rempli de graisse pour renvoi d'angle.

(Fig. 63 )

## CARACTÉRISTIQUES TECHNIQUES

	unité	129C (A05328CCHV)	129L (A05328CSHV)	129LK (A05328CSHV)
<b>Caractéristiques du moteur</b>				
Cylindrée	cm <sup>3</sup>	27,6	27,6	27,6
Écartement des électrodes	mm	0,5	0,5	0,5
Capacité du réservoir de carburant	cm <sup>3</sup>	343	343	343
Vitesse du ralenti	min <sup>-1</sup>	2 800 - 3 200	2 800 - 3 200	2 800 - 3 200
Régime de puissance maximum	min <sup>-1</sup>	8 000	8 000	8 000
Puissance de sortie	kW	0,85	0,85	0,85
Bougie		Husqvar- na HQT-4	Husqvar- na HQT-4	Husqvar- na HQT-4
Rotation maximum de l'arbre de sortie	min <sup>-1</sup>	8500	7200	7200
<b>Données sur le son et les vibrations</b>				
Niveau de vibration équivalent (ahv, eq) poignée gauche - voir remarque 1	m/s <sup>2</sup>	3,64	9,9	9,9
Niveau de vibration équivalent (ahv, eq) poignée droite - voir remarque 1	m/s <sup>2</sup>	3,59	8,9	8,9
Niveau de puissance sonore garanti (L <sub>WA</sub> ) - voir remarque 2	dB(A)	114	114	114
Niveau de puissance sonore mesuré - voir remarque 2	dB(A)	106	105	106
Niveau de pression sonore à l'oreille de l'opérateur - voir remarque 3	dB(A)	93	95	95
<b>Dimensions du produit</b>				
Poids (sans équipement de coupe)	kg	4,61	5,21	5,98

**Remarque 1 :** Les données reportées pour le niveau de vibrations équivalent montrent une dispersion statistique typique (déviatation standard) de 1 m/s<sup>2</sup>.

**Remarque 2 :** Les émissions sonores de l'environnement sont mesurées en puissance sonore (L<sub>WA</sub>) conformément à la directive CE 2000/14/CE de l'Union européenne. Le niveau de puissance sonore reporté pour la machine a été mesuré avec l'équipement de coupe d'origine qui donne le niveau le plus élevé. Le niveau de puissance sonore garanti diffère du niveau mesuré en cela qu'il prend également en compte la dispersion et les variations d'une machine à l'autre du même modèle, conformément à la directive 2000/14/CE.

**Remarque 3 :** Les données reportées pour le niveau de pression sonore équivalent pour la machine montrent une dispersion statistique typique (déviatation standard) de 1 dB (A).

## ACCESSOIRES

129C		
Accessoires homologués	Type	Protection pour l'équipement de coupe
Arbre fileté (3/8 R)		
Tête de désherbage	T25 (Ø 2,0 - 2,4 mm)	580 44 66-10
129L, 129LK		
Accessoires homologués	Type	Protection pour l'équipement de coupe
Arbre fileté (M10L)		
Tête de désherbage	T25 (Ø 2,0 - 2,4 mm)	580 44 66-06

Accessoires en option	Type	Utilisez avec
Accessoire balai avec tige	SR600	129LK
Accessoire pour taille-haie avec tige	HA850	129LK
Accessoire de tranche-bordure avec tige	EA850	129LK
Accessoire de sciage avec tige	PA1100	129LK
Accessoire de cultivateur avec tige	CA150	129LK
Accessoire pour coupe-herbe avec tige	TA850	129LK
Accessoire de sciage avec tige	PAX1100	129LK
Accessoire de sciage avec tige	PAX730	129LK

## CONTENU DE LA DÉCLARATION DE CONFORMITÉ DE LA CE

Nous, Husqvarna AB, SE 561 82 Huskvarna, SUÈDE, déclarons sous notre responsabilité exclusive que le produit représenté :

<b>Description</b>	<b>Coupe-herbe / Débroussailleuse à essence</b>
Marque	Husqvarna
Plate-forme / Type / Modèle	Plate-forme A05328CCHV, représentant le modèle 129C  Plate-forme A05328CSHV, représentant les modèles 129L et 129LK
Lot	Numéro de série à partir de 2013

est entièrement conforme à la réglementation et aux directives de l'UE suivantes :

<b>Directive/Réglementation</b>	<b>Description</b>
2006/42/EC	« relative aux machines »
2014/30/UE	« relative à la compatibilité électromagnétique »
2000/14/EC	« relative au bruit extérieur »

Les normes harmonisées et/ou les spécifications techniques appliquées sont comme suit : EN ISO 12100, EN ISO 11806-1, CISPR 12, ISO 14982

Conformément à la directive 2000/14/CE, Annexe V, les valeurs déclarées saines sont stipulées dans la section Données techniques de ce manuel et dans la Déclaration de Conformité signée de la CE.

TÜV Rheinland N. A. a procédé à un examen volontaire pour Husqvarna AB et lui a attribué un certificat de conformité à la directive 2006/42/CE du Conseil de la CE relative aux machines.

Le certificat, comme indiqué dans la Déclaration de Conformité signée de la CE, s'applique à l'ensemble des sites de fabrication et des pays d'origine, comme indiqué sur le produit.

Le coupe-herbe / la débroussailleuse à essence fourni(e) correspond aux exemplaires soumis au contrôle de conformité communautaire européen.

---

## Contenido

---

INTRODUCCIÓN.....	40	DATOS TÉCNICOS.....	48
SEGURIDAD.....	41	ACCESORIOS.....	49
MONTAJE.....	44	CONTENIDO DE LA DECLARACIÓN DE CONFORMIDAD CE.....	49
FUNCIONAMIENTO.....	44	.....	0
MANTENIMIENTO.....	46		

---

## INTRODUCCIÓN

---

### Manual de usuario

El idioma original de este manual de instrucciones es el inglés. Los manuales de usuario en otros idiomas son traducciones del inglés.

### Revisar

(Fig. 1 )

1. Cabezal de corte
2. Tapón de recarga de lubricante
3. Engranaje angulado
4. Protección del equipo de corte
5. Tubo
6. Acoplamiento del tubo
7. Mango cerrado
8. Acelerador
9. Botón de parada
10. Bloqueo del acelerador
11. Sombrero de bujía, bujía
12. Cuerpo del mecanismo de arranque
13. Empuñadura de la cuerda de arranque
14. Depósito de combustible
15. Tapa del filtro de aire
16. Bomba de combustible
17. Control del estrangulador
18. Pieza de arrastre
19. Manual de usuario

### Símbolos que aparecen en el producto

(Fig. 2 ) Advertencia

(Fig. 3 ) Lea este manual.

(Fig. 4 ) Utilice protección para la cabeza homologada.

(Fig. 5 ) Utilice protección auditiva homologada.

(Fig. 6 ) Utilice protección ocular homologada.

(Fig. 7 ) Utilice guantes protectores homologados.

(Fig. 8 ) Utilice botas o zapatos de protección.

(Fig. 9 ) El producto puede causar proyección de objetos, lo que puede provocar daños en los ojos.

(Fig. 10 ) El producto puede causar proyección de objetos, lo que puede provocar daños en los ojos.

(Fig. 11 ) Velocidad máxima del eje de salida.

(Fig. 12 ) Distancia de seguridad

(Fig. 13 ) Utilice solo hilo de corte homologado. No utilice un disco.

(Fig. 14 ) No utilice equipo de corte metálico.

(Fig. 15 ) Si lleva el pelo largo, asegúrese de sujetárselo por encima de los hombros.

(Fig. 16 ) Las flechas muestran los límites establecidos para la posición de la empuñadura.

(Fig. 17 ) Nivel de potencia acústica.

(Fig. 18 ) Nivel de ruido

(Fig. 19 ) El producto cumple con las directivas CE vigentes.

(Fig. 20 ) El producto cumple con las directivas EAC vigentes.

(Fig. 21 ) El producto cumple con las directivas ucranianas vigentes.

---

**Nota:** Los demás símbolos/etiquetas que aparecen en el producto corresponden a requisitos de homologación específicos en otras zonas comerciales.

---



## Responsabilidad sobre el producto

Como se estipula en las leyes de responsabilidad del producto, no nos hacemos responsables de los daños y perjuicios causados por nuestro producto si:

- El producto se ha reparado incorrectamente.
- El producto se ha reparado con piezas que no eran del fabricante o no autorizadas por el fabricante.
- El producto tiene un accesorio que no es del fabricante o no está autorizado por este.
- El producto no se ha reparado en un centro de servicio autorizado o por un organismo homologado.

---

# SEGURIDAD

---

## Definiciones de seguridad

Las definiciones siguientes indican el nivel de gravedad para cada palabra de señalización de riesgo.



**ADVERTENCIA:** Lesiones a personas.



**PRECAUCIÓN:** Daños en el producto.

**Nota:** Esta información hace que el producto sea más fácil de usar.

## Instrucciones generales de seguridad

- Use el producto correctamente. Las lesiones o la muerte son un posible resultado de un uso incorrecto. Utilice el producto solo para las tareas indicadas en este manual. No utilice el producto para otras tareas.
- Respete las instrucciones de este manual. Respete los símbolos de seguridad y las instrucciones de seguridad. Si el operador no respeta las instrucciones y los símbolos, pueden producirse lesiones, daños materiales o la muerte.
- No se deshaga de este manual. Utilice las instrucciones para montar su producto, utilizarlo y mantenerlo en buen estado. Utilice las instrucciones para la correcta instalación de los complementos y accesorios. Utilice únicamente complementos y accesorios autorizados.
- No utilice un producto dañado. Respete el programa de mantenimiento. Realice solamente el trabajo de mantenimiento indicado en las instrucciones de este manual. Todos los demás trabajos de mantenimiento debe hacerlos un centro de servicio autorizado.
- Este manual no puede incluir todas las situaciones que pueden producirse cuando utilice el producto. Proceda con cuidado y utilice el sentido común. No utilice el producto ni realice el mantenimiento del producto si no está seguro de cuál es la situación. Hable con un experto en el producto, su distribuidor, un taller de servicio o centro de servicio autorizado para obtener información.
- Desconecte el cable de la bujía antes de montar el producto, almacenarlo o realizar tareas de mantenimiento.
- No utilice el producto si se ha modificado respecto de sus especificaciones iniciales. No cambie una parte del producto sin la autorización del fabricante. Utilice únicamente las piezas que están autorizadas por el fabricante. Las lesiones o la muerte son un posible resultado de un mantenimiento incorrecto.
- No inhale los vapores del motor. La inhalación a largo plazo de los gases de escape supone un riesgo para la salud.
- Nunca arranque el producto en interiores ni cerca de material inflamable. Los gases de escape están calientes y pueden contener una chispa que puede iniciar un incendio. Una circulación de aire insuficiente puede causar lesiones o la muerte por asfixia o inhalación de monóxido de carbono.
- Al utilizar este producto, el motor emite un campo electromagnético. El campo electromagnético puede provocar daños en implantes médicos. Consulte a su médico y al fabricante del implante médico antes de usar el producto.
- No deje que un niño maneje el producto. No permita que nadie maneje el producto sin conocer las instrucciones.
- Si una persona con discapacidad física o mental usa el producto, asegúrese de supervisarla en todo momento. Debe haber presente en todo momento una persona mayor de edad responsable.
- Cierre con llave el producto en un área a la que no puedan acceder las personas no autorizadas ni los niños.
- El producto puede proyectar objetos con fuerza y causar lesiones. Respete las instrucciones de seguridad para reducir el riesgo de lesiones o muerte.
- No deje desatendido el producto con el motor encendido.
- El operador del producto es el responsable si se produce un accidente.
- Asegúrese de que las piezas no estén dañadas antes de utilizar el producto.
- Asegúrese de que se encuentra a una distancia mínima de 15 m (50 pies) de otras personas o animales antes de utilizar el producto. Asegúrese de que cualquier persona que se encuentre cerca sabe que va a usar el producto.

- Consulte las leyes nacionales o locales. Pueden prohibir o limitar el funcionamiento del producto en circunstancias determinadas.
- No utilice el producto si está cansado o si se encuentra bajo los efectos de alcohol, drogas o medicamentos, que pueden tener efectos sobre su visión, capacidad de reacción, coordinación o criterio.

- Utilice el producto con el equipo de corte por debajo de la cadera.
- Si el mando del estrangulador está en la posición de estrangulamiento cuando arranque el motor, el equipo de corte comienza a girar.
- No toque el engranaje angulado después de parar el motor. El engranaje angulado está caliente después de parar el motor. Las zonas calientes pueden causar lesiones.
- Pare el motor antes de mover el producto.
- No deje el producto en el suelo con el motor encendido.
- Antes de retirar los materiales no deseados del producto, detenga el motor y espere hasta que el equipo de corte se detenga. Deje que el equipo de corte se detenga antes de que usted o un ayudante retire el material cortado.

## Instrucciones de seguridad para el funcionamiento

- Asegúrese de que el producto esté completamente montado antes de utilizarlo.
- Antes de arrancar, aleje el producto 3 m (10 pies) del punto en el que llenó el depósito de combustible. Ponga el producto sobre una superficie plana. Asegúrese de que el equipo de corte no entre en contacto con el suelo u otros objetos.
- El producto puede causar proyección de objetos, lo que puede provocar daños en los ojos. Utilice siempre una protección ocular homologada cuando utilice el producto.
- Tenga cuidado: mientras está trabajando, un niño puede acercarse al producto sin que usted se dé cuenta.
- No utilice el producto si hay otra persona en la zona de trabajo. Detenga el producto si alguien entra en la zona de trabajo.
- Asegúrese de tener siempre el control del producto.
- No utilice el producto si no puede recibir ayuda en caso de accidente. Antes de comenzar a utilizar el producto, asegúrese siempre de que otros saben que va a empezar a usarlo.
- No se gire con el producto sin asegurarse primero de que no hay personas ni animales en la zona de seguridad.
- Retire todos los materiales no deseados de la zona de trabajo antes de empezar. Si el equipo de corte choca contra un objeto, el objeto puede salir despedido y provocar daños o lesiones. El material no deseado puede enrollarse en el equipo de corte y provocar daños.
- No utilice el producto en condiciones climáticas desfavorables (niebla, lluvia, viento fuerte, riesgo de rayos u otras condiciones climáticas peligrosas). Las condiciones climáticas desfavorables pueden provocar condiciones peligrosas (como superficies resbaladizas).
- Asegúrese de que puede moverse libremente y trabajar en una postura estable (Fig. 22)
- Asegúrese de que no corre riesgo de caerse mientras utiliza el producto. No se incline mientras utiliza el producto.
- Sujete siempre el producto con ambas manos. Mantenga el producto en el lado derecho del cuerpo. (Fig. 23)

## Equipo de protección personal

- Utilice siempre el equipo de protección personal adecuado cuando utilice el producto. El equipo de protección personal no elimina el riesgo de lesiones. El equipo de protección personal reduce la gravedad de las lesiones en caso de accidente.
- Utilice siempre una protección ocular homologada mientras utiliza el producto.
- No utilice el producto con los pies descalzos o con calzado abierto. Utilice siempre botas de trabajo antideslizantes.
- Utilice pantalones largos gruesos.
- Si es necesario, utilice guantes protectores homologados.
- Utilice un casco si existe la posibilidad de caída de objetos sobre la cabeza.
- Utilice siempre protección auditiva homologada mientras utiliza el producto. La exposición al ruido durante un periodo de tiempo prolongado puede causar pérdida de audición.
- Asegúrese de que tiene cerca un botiquín de primeros auxilios.

## Dispositivos de seguridad en el producto

- Asegúrese de efectuar regularmente el mantenimiento del producto.
  - La vida útil del producto aumenta.
  - El riesgo de accidentes disminuye.

Deje que un concesionario autorizado o un centro de servicio autorizado examine regularmente el producto para realizar ajustes o reparaciones.

- No utilice un producto con equipo de protección dañado. Si el producto está dañado, hable con un centro de servicio autorizado.

## Bloqueo del acelerador

El bloqueo del gatillo del acelerador bloquea el acelerador.

(Fig. 24 )

Empuje el bloqueo del acelerador (A) para soltar el acelerador (B). Al soltar el mango, el bloqueo del acelerador y el acelerador vuelven a sus posiciones iniciales.

1. Asegúrese de que el acelerador (B) esté bloqueado en ralentí cuando suelte el bloqueo del acelerador (A).
2. Presione el bloqueo del acelerador (A) y asegúrese de que vuelve a su posición inicial al soltarlo.
3. Empuje el acelerador (B) y asegúrese de que vuelve a su posición inicial al soltarlo.

Arranque el motor y, a continuación, aplique la aceleración máxima. Suelte el acelerador y examine si el equipo de corte se detiene. Si el equipo de corte gira con el acelerador en la posición de ralentí, examine el tornillo de ajuste de ralentí del carburador.

## Botón de parada

Arranque el motor. Asegúrese de que el motor se detiene al poner el botón de parada en la posición de parada.

(Fig. 25 )

## Protección del equipo de corte

La protección del equipo de corte impide que los objetos sueltos salgan despedidos hacia el operador.

(Fig. 26 )

Examine la protección del equipo de corte para comprobar que no hay daños y sustitúyala si está dañada. Utilice únicamente la protección autorizada para el equipo de corte.

## Silenciador

- No utilice un motor con un silenciador defectuoso. Un silenciador defectuoso aumenta el nivel de ruido y el riesgo de incendio. Tenga siempre a mano un extintor de incendios.
- Examine regularmente que el silenciador esté conectado al producto.
- No toque el motor ni el silenciador cuando el motor está encendido. No toque el motor ni el silenciador durante un tiempo después de parar el motor. Las superficies calientes pueden causar lesiones.
- Un silenciador caliente puede provocar un incendio. Tenga cuidado si utiliza el producto cerca de líquidos o vapores inflamables.
- No toque las piezas del silenciador si este está dañado. Las piezas pueden contener productos químicos cancerígenos.

## Accesorio de corte

- Realice el mantenimiento periódico. Deje que un centro homologado examine regularmente el equipo de corte para hacer ajustes o reparaciones.
  - El rendimiento del equipo de corte aumenta.
  - La vida útil del equipo de corte aumenta.

- El riesgo de accidentes disminuye.
- Utilice solo una protección homologada para el equipo de corte. Para obtener más información, consulte *DATOS TÉCNICOS en la página 48*.
- No utilice un equipo de corte dañado.

## Cabezal de recortadora de césped

- Asegúrese de que enrolla el hilo de corte de la recortadora de césped firme y uniformemente alrededor del tambor para reducir la vibración.
- Utilice únicamente los cabezales de recortadora de césped y los hilos de corte de recortadora de césped autorizados. Consulte *DATOS TÉCNICOS en la página 48*.
- Utilice la longitud correcta de hilo de corte de la recortadora. El hilo de corte de recortadora de césped utiliza más potencia de motor cuanto más largo es.
- Asegúrese de que la cortadora de la protección del accesorio de corte no esté dañada.
- Ponga en agua el hilo de corte de la recortadora de césped durante 2 días antes de fijarlo al producto. Esto aumenta la vida útil del hilo de corte de la recortadora de césped.

## Seguridad en el uso del combustible

- No arranque el producto si está manchado con combustible o aceite del motor. Retire el combustible/aceite no deseado y deje secar el producto. Retire el combustible no deseado del producto.
- Si derrama combustible sobre la ropa, cámbiese inmediatamente.
- Evite el contacto con el combustible; puede provocarle lesiones. Si entra en contacto con el combustible, utilice jabón y agua para eliminar el combustible.
- No arranque el motor si derrama aceite o combustible sobre el producto o sobre su cuerpo.
- No arranque el motor si el producto tiene una fuga. Examine frecuentemente si hay fugas en el motor.
- Tenga cuidado con el combustible. El combustible es inflamable, sus vapores son explosivos y puede provocar lesiones o la muerte.
- No inhale los vapores de combustible, ya que pueden causar lesiones. Asegúrese de que hay ventilación suficiente.
- No fume cerca del combustible o el motor.
- No coloque objetos calientes cerca del combustible o el motor.
- No agregue el combustible con el motor encendido.
- Asegúrese de que el motor esté frío antes de repostar.
- Antes de repostar, abra la tapa del depósito de combustible lentamente y deje salir el exceso de presión con cuidado.
- No añada combustible al motor en interiores. Una circulación de aire insuficiente puede causar

lesiones o la muerte por asfixia o inhalación de monóxido de carbono.

- Apriete la tapa del depósito de combustible con cuidado o puede producirse un incendio.
- Antes de arrancarlo, lleve el producto a 3 m (10 pies) de distancia como mínimo del punto en el que llenó el depósito.
- No ponga demasiado combustible en el depósito de combustible.
- Asegúrese de que no pueda producirse una fuga al mover el producto o recipiente de combustible.
- No coloque el producto o un recipiente de combustible cerca de una llama descubierta, chispa o llama piloto. Asegúrese de que la zona de almacenamiento no contiene una llama descubierta.
- Utilice únicamente recipientes homologados para transportar o almacenar el combustible.

- Vacíe el depósito de combustible antes de almacenarlo por un tiempo prolongado. Respete la legislación local sobre lugares aptos para desechar combustible.
- Limpie el producto antes de almacenarlo por un tiempo prolongado.
- Desconecte el cable de la bujía antes de almacenar el producto para asegurarse de que el motor no arranque accidentalmente.

## Instrucciones de seguridad para el mantenimiento

- Si no puede ajustar el régimen de ralentí para que el equipo de corte se detenga, hable con su centro de servicio. No utilice el producto hasta que esté correctamente ajustado o reparado.

---

## MONTAJE

---



**ADVERTENCIA:** Lea el capítulo de seguridad antes de montar el producto.

### Para acoplar el mango cerrado

1. Acople el asa al tubo de acuerdo con la ilustración y apriételo.(Fig. 27 )
2. Asegúrese de que el mango cerrado se acopla entre las flechas del eje.

### Para montar el eje de dos piezas

1. Gire la perilla para aflojar el acoplamiento del eje.(Fig. 28 )
2. Alinee la lengüeta del eje (A) con la flecha del acoplamiento del tubo (B).(Fig. 29 )
3. Empuje el eje en el acoplamiento del eje hasta que el eje se acople.(Fig. 30 )
4. Asegúrese de apretar la perilla antes de utilizar el producto.(Fig. 31 )

### Para desmontar el eje de dos piezas

1. Gire la perilla para aflojar el acoplamiento del eje.(Fig. 32 )
2. Mantenga presionado el botón (C).(Fig. 33 ) Sujete el extremo del lado del motor y extraiga el eje del acoplamiento de eje.

### Para montar el equipo de corte

#### Para fijar la protección del equipo de corte y el cabezal de corte (eje recto)

1. Fije la protección del equipo de corte (A) en el eje con el perno (L).(Fig. 34 ) Asegúrese de que utiliza la protección correcta para el equipo de corte y el cabezal de corte correcto.
2. Fije el disco de arrastre (B) en el eje de salida.
3. Gire el eje de salida hasta que el orificio del disco de arrastre coincida con el orificio de la caja de engranajes.
4. Coloque un destornillador pequeño (C) en el orificio para bloquear el eje.(Fig. 35 )
5. Gire el cabezal de corte (H) hacia la izquierda para apretar el cabezal de corte contra la caja de cambios. (Rosca a la izquierda).(Fig. 36 )

#### Para acoplar la protección del equipo de corte y el cabezal de corte (eje curvo)

1. Fije la protección.(Fig. 37 ) Apriete la tuerca.
2. Fije el protector de polvo en el eje.(Fig. 38 )
3. Sostenga el colector de polvo con una llave inglesa para asegurarse de que el eje no gire.
4. Monte el cabezal de corte en el eje. Gire el cabezal de corte hacia la derecha.

---

## FUNCIONAMIENTO

---



**ADVERTENCIA:** Asegúrese de leer y comprender el capítulo sobre seguridad antes de utilizar el producto.

# Carburante

## Para usar combustible



**PRECAUCIÓN:** Este producto tiene un motor de dos tiempos. Utilice una mezcla de gasolina y aceite de motor de dos tiempos. Asegúrese de que utiliza la cantidad correcta de aceite en la mezcla. Una mezcla de gasolina y aceite en proporción incorrecta puede causar daños en el motor.

## Gasolina



**PRECAUCIÓN:** No utilice gasolina con un octanaje inferior a 90 octanos RON (87 AKI). Esto puede provocar daños en el producto.



**PRECAUCIÓN:** No utilice gasolina con una concentración de etanol de más del 10 % (E10). Esto puede provocar daños en el producto.

- Utilice siempre gasolina sin plomo nueva con un octanaje mínimo de 90 RON (87 AKI) y con una concentración de etanol de menos de 10 % (E10).
- Utilice gasolina con un mayor octanaje si utiliza con frecuencia el producto a un régimen del motor alto de manera continua.

## Aceite de motor de dos tiempos

- Utilice únicamente aceite de motor de dos tiempos de alta calidad. Utilice únicamente aceite de motor refrigerado por aire.
- No utilice otros tipos de aceite.
- Proporción de mezcla 50:1 (2 %)

Gasolina	Aceite
1 galón estadounidense	77 ml (2,6 oz)
1 galón británico	95 ml (3,2 oz)
5 l	100 ml (3,4 oz)

## Para hacer la mezcla de combustible

**Nota:** Utilice siempre un contenedor de combustible limpio cuando mezcle el combustible.

**Nota:** No prepare cantidad de mezcla de combustible para más de 30 días.

1. Añada la mitad de la cantidad de gasolina.
2. Añada la cantidad total de aceite.
3. Agite bien la mezcla de combustible para mezclar el contenido.

4. Agregue la cantidad restante de gasolina.
5. Agite bien la mezcla de combustible para mezclar el contenido.
6. Llene el depósito de combustible.

## Para añadir combustible

- Utilice un recipiente de combustible con válvula antirrebote.
- Si hay algo de combustible en el recipiente, retire el combustible no deseado y deje secar el recipiente.
- Asegúrese de que la zona cercana a la tapa del depósito de combustible está limpia.
- Sacuda el contenedor de combustible antes de agregar la mezcla de combustible al depósito de combustible.

## Para arrancar y parar

### Antes de arrancar el motor

- Examine el producto para asegurarse de que no faltan piezas, ni están dañadas, sueltas o desgastadas.
- Inspeccione tuercas, tornillos y pernos.
- Examine el filtro de aire.
- Examine el bloqueo del gatillo del acelerador y el acelerador para comprobar su correcto funcionamiento.
- Examine que el interruptor de parada funciona correctamente.
- Examine el producto por si hubiera fugas de combustible.
- Examine el afilado y la tensión de la cadena de sierra.

### Para arrancar el motor en frío

1. Oprima la perilla de cebado 10 veces.(Fig. 39 )
2. Tire del estrangulador hacia arriba.(Fig. 40 )
3. Sujete el cuerpo del producto contra el suelo con la mano izquierda.(Fig. 41 ) No pise el producto. Tire de la empuñadura de la cuerda de arranque lentamente hasta que note algo de resistencia. A continuación, tire de la empuñadura de la cuerda de arranque con fuerza.

**Nota:** No tire del acelerador mientras arranca el motor.

4. Continúe tirando de la empuñadura de la cuerda de arranque hasta que el motor arranque o intente arrancar (máx. 3 veces). Si el motor arranca o intenta arrancar, presione el estrangulador hacia abajo. Continúe tirando hasta que el motor arranque. Espere 60 segundos tras el arranque antes de tirar del acelerador.



**PRECAUCIÓN:** No tire de la cuerda de arranque hasta que se detenga. No suelte la cuerda de arranque cuando

esté completamente extendida. Suelte la cuerda de arranque lentamente. Si no se siguen estas instrucciones, se puede dañar el motor.

### Para arrancar el motor en caliente

1. Oprima la perilla de cebado 10 veces.
2. Tire de la cuerda de arranque hasta que el motor arranque.

### Para detener

- Presione el botón de parada para detener el motor. (Fig. 42 )

**Nota:** El interruptor de parada regresa automáticamente a su posición inicial.

### Para manejar la recortadora de césped



**PRECAUCIÓN:** Asegúrese de que reduce la velocidad del motor al ralentí después de cada operación. Un largo periodo a aceleración máxima sin carga en el motor puede provocar daños en el motor.

**Nota:** Limpie la cubierta del cabezal de corte cuando fije un nuevo hilo de corte a la recortadora para evitar vibraciones. Examine las demás piezas del cabezal de corte y límpielas si es necesario.

### Para recortar la hierba

1. Mantenga el cabezal de corte inclinado justo por encima del suelo.(Fig. 43 ) No empuje el hilo de corte de la recortadora de césped contra la hierba.

2. Reduzca la longitud del hilo de corte de la recortadora de césped en 10-12 cm (4-4,75 pulg.) y disminuya las revoluciones del motor para reducir el riesgo de daños en las plantas.
3. Utilice un 80 % de aceleración para cortar hierba cerca de objetos.(Fig. 44 )

### Para cortar la hierba

1. Asegúrese de que el hilo de corte de la recortadora de césped esté paralelo al suelo cuando corte.(Fig. 45 )
2. No empuje el cabezal de corte contra el suelo. El suelo y el producto pueden resultar dañados.
3. No deje que el cabezal de corte toque el suelo continuamente; puede dañarse el cabezal de corte.
4. Utilice la aceleración máxima cuando mueva el producto de lado a lado para cortar hierba.(Fig. 46 ) Asegúrese de que el hilo de corte de la recortadora de césped esté paralelo al suelo.

### Para sustituir el hilo de corte

- (Fig. 47 )
- (Fig. 48 )
- (Fig. 49 )
- (Fig. 50 )
- (Fig. 51 )
- (Fig. 52 )
- (Fig. 53 )
- (Fig. 54 )

## MANTENIMIENTO



**ADVERTENCIA:** Asegúrese de leer y comprender el capítulo sobre seguridad antes de limpiar, reparar o realizar tareas de mantenimiento en el producto.

### Programa de mantenimiento

Asegúrese de que se respete el programa de mantenimiento. Los intervalos se calculan a partir de uso diario del producto. Los intervalos son diferentes si no utiliza el producto cada día. Realice solamente el trabajo de mantenimiento indicado en este manual. Hable con un centro de servicio autorizado acerca de otros trabajos de mantenimiento que no aparezcan en este manual.

#### Mantenimiento semanal

- Limpie las superficies externas.
- Examine el régimen de ralentí.

- Examine la grasa del engranaje angulado (eje recto).

#### Mantenimiento mensual

- Examine la empuñadura de la cuerda de arranque y la cuerda de arranque.

#### Mantenimiento anual

- Examine la bujía.
- Aplique grasa al final del eje propulsor (eje de dos piezas).
- Limpie las superficies externas del carburador y las zonas adyacentes.
- Limpie el sistema de refrigeración.
- Examine el apagachispas.
- Examine el filtro de combustible.
- Examine la manguera de combustible en busca de daños.
- Examine todos los cables y conexiones.

## Mantenimiento cada 50 horas

- Lleve el producto a un centro de servicio autorizado para reparar o sustituir el silenciador.

## Para ajustar el régimen de ralentí

- Asegúrese de que el filtro de aire está limpio y la cubierta del filtro de aire está conectada antes de ajustar el régimen de ralentí.
  - Ajuste el régimen de ralentí con el tornillo de ralentí T marcado con una "T".
  - El régimen de ralentí es correcto cuando el motor funciona con suavidad en todas las posiciones. El régimen de ralentí debe ser inferior a la velocidad cuando el equipo de corte comienza a girar.
1. Gire el ajuste del régimen de ralentí hacia la derecha hasta que el equipo de corte comience a girar.(Fig. 55 )
  2. Gire el tornillo de ajuste de ralentí hacia la izquierda hasta que el equipo de corte se detenga.

## Para realizar el mantenimiento del apagachispas

Utilice un cepillo de alambre para limpiar el apagachispas.  
(Fig. 56 )

## Para limpiar el sistema de refrigeración

Limpie las piezas del sistema de refrigeración con un cepillo.

(Fig. 57 )

## Para examinar la bujía



**PRECAUCIÓN:** Utilice la bujía recomendada. Asegúrese de que el recambio es el mismo que la pieza suministrada por el fabricante. Una bujía incorrecta puede provocar daños en el producto.

1. Examine la bujía cuando:
  - a) El motor tiene poca potencia.
  - b) El motor no arranca fácilmente.
  - c) El motor no funciona correctamente al régimen de ralentí.
2. Si el motor no resulta fácil de arrancar o funcionar, examine la bujía en busca de materiales no deseados. Para reducir el riesgo de material no deseado en los electrodos de la bujía:
  - a) Asegúrese de que el régimen de ralentí esté bien ajustado.
  - b) Asegúrese de que la mezcla de combustible sea correcta.
  - c) Asegúrese de que el filtro de aire esté limpio.

3. Limpie la bujía si está sucia. Examine la separación entre los electrodos para ver que es la correcta.(Fig. 58 )
4. Sustituya la bujía cuando sea necesario.

## Para aplicar grasa al eje de dos piezas

- Aplique grasa en el extremo del eje propulsor después de cada 30 horas de funcionamiento.(Fig. 59 )

## Para realizar el mantenimiento del filtro de aire

### Para limpiar el filtro de aire

1. Saque la cubierta del filtro de aire y extraiga el filtro de aire.(Fig. 60 )
2. Limpie el filtro de aire con agua jabonosa tibia. Asegúrese de que el filtro de aire esté seco antes de instalarlo.
3. Sustituya el filtro de aire si está demasiado sucio para poder limpiarlo completamente. Sustituya siempre el filtro de aire si se avería.
4. Si su producto tiene un filtro de aire de espuma, aplique aceite para filtro de aire. Solo aplique aceite para filtro de aire a los filtros de espuma. No aplique aceite a un filtro de fieltro.

### Para aplicar aceite para filtro de aire al filtro de aire



**PRECAUCIÓN:** Utilice siempre aceite especial para filtro de aire en los filtros de aire de espuma. No utilice otros tipos de aceite.



**ADVERTENCIA:** Evite todo contacto con el aceite.

1. Saque la cubierta del filtro de aire y extraiga el filtro de aire.(Fig. 61 )
2. Coloque el filtro de aire en una bolsa de plástico.
3. Coloque el filtro de aire aceite en la bolsa de plástico.(Fig. 62 )
4. Presione la bolsa de plástico para asegurarse de que el aceite se distribuye uniformemente por el filtro de aire.
5. Sin sacarlo de la bolsa, presione el filtro de aire a fin de extraer el exceso de aceite para filtro de aire. Extraiga el filtro de aire de la bolsa.
6. Instale el filtro de aire.

## Para engrasar el engranaje angulado

Asegúrese de que 3/4 del engranaje estén llenas de grasa para engranaje angular.

## DATOS TÉCNICOS

	unidad	129C (A05328CCHV)	129L (A05328CSHV)	129LK (A05328CSHV)
<b>Especificaciones del motor</b>				
Cilindrada	cm <sup>3</sup>	27,6	27,6	27,6
Distancia entre los electrodos	mm	0,5	0,5	0,5
Volumen del depósito de combustible	cm <sup>3</sup>	343	343	343
Velocidad en ralentí	min <sup>-1</sup>	2800 - 3200	2800 - 3200	2800 - 3200
Velocidad de potencia máxima	min <sup>-1</sup>	8000	8000	8000
Potencia de salida	kW	0,85	0,85	0,85
Bujía		Husqvarna HQT-4	Husqvarna HQT-4	Husqvarna HQT-4
Rotación máxima del eje de salida	min <sup>-1</sup>	8500	7200	7200
<b>Datos de vibración y ruido</b>				
Nivel de vibraciones equivalente (ahv, eq) empuñadura izquierda - ver la nota 1	m/s <sup>2</sup>	3,64	9,9	9,9
Nivel de vibraciones equivalente (ahv, eq) empuñadura derecha - ver la nota 1	m/s <sup>2</sup>	3,59	8,9	8,9
Nivel de potencia de sonido, garantizado (LWA) - ver la nota 2	dB(A)	114	114	114
Nivel de potencia acústica medida - ver la nota 2	dB(A)	106	105	106
Nivel de presión sonora en el oído del operador - ver la nota 3	dB(A)	93	95	95
<b>Dimensiones del producto</b>				
Peso (sin equipo de corte)	kg	4,61	5,21	5,98
<p><b>Nota 1:</b> Los datos referidos del nivel de vibración poseen una dispersión estadística habitual (desviación típica) de 1 m/s<sup>2</sup>.</p> <p><b>Nota 2:</b> Emisiones sonoras en el entorno medidas como potencia acústica (L<sub>WA</sub>) según la directiva 2000/14/CE. El nivel referido de potencia sonora de la máquina se ha medido con el equipo de corte original que produce el nivel más elevado. La diferencia entre la potencia sonora garantizada y medida es que la potencia sonora garantizada también incluye la dispersión en el resultado de la medición y las variaciones entre diferentes máquinas del mismo modelo, según la Directiva 2000/14/CE.</p> <p><b>Nota 3:</b> Los datos referidos del nivel de presión sonora equivalente de la máquina tienen una dispersión estadística típica (desviación típica) de 1 dB(A).</p>				



## ACCESORIOS

129C		
Accesorios homologados	Tipo	Protección del equipo de corte
Eje roscado (3/8 R)		
Cabezal de corte	T25 (Ø 2,0 - 2,4 mm)	580 44 66-10
129L, 129LK		
Accesorios homologados	Tipo	Protección del equipo de corte
Eje roscado (M10L)		
Cabezal de corte	T25 (Ø 2,0 - 2,4 mm)	580 44 66-06

Accesorios opcionales	Tipo	Se emplea en
Accesorio de barredora con eje	SR600	129LK
Accesorio de cortasetos con eje	HA850	129LK
Accesorio de rebordeadora con eje	EA850	129LK
Accesorio de sierra con eje	PA1100	129LK
Accesorio de cultivadora con eje	CA150	129LK
Accesorio de recortadora de césped con eje	TA850	129LK
Accesorio de sierra con eje	PAX1100	129LK
Accesorio de sierra con eje	PAX730	129LK

## CONTENIDO DE LA DECLARACIÓN DE CONFORMIDAD CE

Nosotros, Husqvarna AB, SE 561 82 Huskvarna, SUECIA, declaramos bajo nuestra exclusiva responsabilidad que el producto representado:

Descripción	Recortadora de césped/ desbrozadora de gasolina
Marca	Husqvarna
Plataforma/tipo/modelo	Plataforma A05328CCHV, que representa el modelo 129C  Plataforma A05328CSHV, que representa los modelos 129L y 129LK
Lote	Número de serie a partir del año 2013 y en adelante

Cumple las siguientes directivas y normas de la UE:

Directiva/Norma	Descripción
2006/42/EC	"relativa a las máquinas"
2014/30/EU	"relativa a la compatibilidad electromagnética"
2000/14/EC	"relativa al ruido en exteriores"

Las normas armonizadas o especificaciones técnicas aplicadas son las siguientes: EN ISO 12100, EN ISO 11806-1, CISPR 12, ISO 14982

De acuerdo con la directiva 2000/14/CE, Anexo V, los valores de sonido declarados se indican en el capítulo Datos técnicos de este manual y en la declaración de conformidad CE firmada.

TÜV Rheinland N.A. ha efectuado un examen voluntario para Husqvarna AB, que proporciona el certificado de conformidad con la directiva del Consejo Europeo 2006/42/CE referente a máquinas.

El certificado, como se indica en la declaración de conformidad CE firmada, es aplicable a todas las plantas de fabricación y países de origen, tal y como se indica en el producto.

La recortadora de césped / desbrozadora de gasolina suministrada concuerda con el ejemplar sometido a examen.

---

## Sommario

---

INTRODUZIONE.....	51	CARATTERISTICHE TECNICHE.....	59
SICUREZZA.....	52	ACCESSORI.....	60
MONTAGGIO.....	55	CONTENUTO DELLA DICHIARAZIONE DI CONFORMITÀ CE.....	60
FUNZIONAMENTO.....	56	.....	0
MANUTENZIONE.....	57		

---

## INTRODUZIONE

---

### Manuale operatore

La lingua iniziale del presente manuale operatore è l'inglese. I manuali operatore in altre lingue sono traduzioni dall'inglese.

### Panoramica

(Fig. 1 )

1. Testina portafilo
2. Rifornamento lubrificante
3. Riduttore angolare
4. Protezione del gruppo di taglio
5. Albero
6. Raccordo dell'albero
7. Impugnatura ad anello
8. Grilletto acceleratore
9. Interruttore di arresto
10. Blocco del grilletto acceleratore
11. Cappuccio della candela, candela
12. Carter avviamento
13. Impugnatura cavo di avviamento
14. Serbatoio del carburante
15. Coperchio del filtro dell'aria
16. Pompa del carburante
17. Comando della valvola dell'aria
18. Menabrida
19. Istruzioni per l'uso

### Simboli riportati sul prodotto

- (Fig. 2 ) Avvertenza
- (Fig. 3 ) Leggere il presente manuale.
- (Fig. 4 ) Utilizzare protezioni per la testa omologate.
- (Fig. 5 ) Usare cuffie protettive omologate.
- (Fig. 6 ) Utilizzare protezioni per gli occhi omologate.
- (Fig. 7 ) Utilizzare guanti protettivi omologati.
- (Fig. 8 ) Indossare scarpe/stivali protettivi.

(Fig. 9 ) Il prodotto può causare l'espulsione di oggetti, che può risultare pericolosa per gli occhi.

(Fig. 10 ) Il prodotto può causare l'espulsione di oggetti, che può risultare pericolosa per gli occhi.

(Fig. 11 ) Velocità max dell'albero in uscita.

(Fig. 12 ) Distanza di sicurezza

(Fig. 13 ) Utilizzare esclusivamente un filo per decespugliatore omologato. Non utilizzare una lama.

(Fig. 14 ) Non utilizzare un gruppo di taglio in metallo.

(Fig. 15 ) Raccogliere i capelli lunghi al di sopra delle proprie spalle.

(Fig. 16 ) Le frecce indicano i limiti consentiti per la posizione dell'impugnatura.

(Fig. 17 ) Livello potenza acustica.

(Fig. 18 ) Livello acustico

(Fig. 19 ) Il prodotto è conforme alle direttive CE vigenti.

(Fig. 20 ) Il prodotto è conforme alle direttive EAC vigenti.

(Fig. 21 ) Il prodotto è conforme alle direttive vigenti in Ucraina.

---

**Nota:** I restanti simboli/decalcomanie sul prodotto riguardano particolari requisiti necessari per ottenere la certificazione in altre aree commerciali.

---

## Responsabilità del prodotto

Come indicato nelle leggi vigenti in materia di responsabilità obbligatoria sul prodotto, non siamo responsabili per eventuali danni causati dal nostro prodotto se:

- Il prodotto viene riparato in modo errato.

- Il prodotto viene riparato con parti che non provengono o non sono omologate dal produttore.
- Il prodotto contiene un accessorio che non proviene o non è omologato dal produttore.
- Il prodotto non viene riparato presso un centro di assistenza autorizzato o presso un'autorità competente.

---

## SICUREZZA

---

### Definizioni di sicurezza

Le definizioni riportate di seguito forniscono il livello di gravità per ciascuna delle parole di avvertenza.



**AVVERTENZA:** Lesioni alle persone.



**ATTENZIONE:** Danni al prodotto.

**Nota:** Queste informazioni rendono più semplice l'uso del prodotto.

### Istruzioni di sicurezza generali

- Utilizzare il prodotto in modo corretto. Un uso improprio può causare lesioni o la morte. Utilizzare il prodotto solo per le attività riportate nel presente manuale. Non utilizzare il prodotto per altre attività.
  - Attenersi alle istruzioni contenute nel presente manuale. Rispettare i simboli di sicurezza e le istruzioni di sicurezza. In caso di mancata osservanza delle istruzioni e dei relativi simboli, si potrebbero causare lesioni personali, danni o la morte.
  - Non gettare il presente manuale. Utilizzare le istruzioni per assemblare, azionare e mantenere il prodotto in buone condizioni. Utilizzare le istruzioni per installare correttamente attrezzature e accessori. Utilizzare esclusivamente attrezzature e accessori omologati.
  - Non utilizzare un prodotto danneggiato. Attenersi al programma di manutenzione. Eseguire solo gli interventi di manutenzione riportati nelle istruzioni di questo manuale. Tutti gli altri interventi di manutenzione devono essere effettuati da un centro di assistenza autorizzato.
  - Il presente manuale non include tutte le situazioni che possono verificarsi quando si utilizza il prodotto. Prestare la massima attenzione e usare il buon senso. Non utilizzare mai il prodotto o eseguire interventi di manutenzione sul prodotto se non si è sicuri. Per ulteriori informazioni parlare con un esperto del prodotto, il vostro rivenditore, l'officina o il centro di assistenza autorizzato.
- Scollegare il cavo della candela prima di assemblare il prodotto, conservarlo in magazzino o eseguire la manutenzione.
  - Non utilizzare il prodotto se è stato modificato in qualche modo rispetto alle caratteristiche iniziali. Non sostituire una parte del prodotto senza previa approvazione del produttore. Utilizzare solo parti approvate dal produttore. Una manutenzione impropria può causare lesioni o la morte.
  - Non respirare i fumi provenienti dal motore. L'inalazione prolungata dei fumi di scarico del motore è dannosa per la salute.
  - Non avviare il prodotto in ambienti chiusi o vicino a materiale infiammabile. I fumi di scarico sono molto caldi e possono contenere scintille in grado di provocare incendi. Un flusso d'aria insufficiente può causare lesioni o la morte dovute ad asfissia o al monossido di carbonio.
  - Quando si utilizza questo prodotto il motore genera un campo elettromagnetico. Il campo elettromagnetico può danneggiare gli impianti medici. Rivolgersi al medico e al produttore degli impianti medici prima di utilizzare il prodotto.
  - Non consentire ai bambini di utilizzare il prodotto. Non permettere a chiunque non conosca le istruzioni di utilizzare il prodotto.
  - Assistere sempre una persona, con capacità fisica o mentale ridotta, quando utilizza il prodotto. È necessaria sempre la supervisione di un adulto responsabile.
  - Conservare il prodotto in un'area a cui bambini o persone non autorizzate non possano accedere.
  - Il prodotto può espellere oggetti e causare lesioni. Attenersi alle istruzioni di sicurezza per ridurre il rischio di lesioni o morte.
  - Non allontanarsi dal prodotto con il motore in funzione.
  - L'operatore del prodotto è responsabile in caso di incidente.
  - Verificare che i componenti non siano danneggiati prima di utilizzare il prodotto.
  - Tenersi a una distanza di almeno 15 m (50 piedi) da persone o animali prima di utilizzare il prodotto. Verificare che le persone circostanti siano a conoscenza del fatto che il prodotto verrà azionato.
  - Fare riferimento alle normative nazionali o locali, in quanto possono impedire o limitare il funzionamento del prodotto in determinate condizioni.

- Non utilizzare il prodotto quando si è stanchi, o sotto effetto di alcool, farmaci o medicinali. Essi possono avere effetti negativi sulla concentrazione, la vista, la capacità di valutazione o di coordinazione.
- Non toccare il riduttore angolare dopo l'arresto del motore. Il riduttore angolare è caldo dopo l'arresto del motore. Superfici calde possono causare lesioni.

## Istruzioni di sicurezza per il funzionamento

- Accertarsi che il prodotto sia completamente assemblato prima di utilizzarlo.
- Prima dell'avviamento, spostare il prodotto di 3 m (10 ft) dal punto in cui è stato riempito il serbatoio del carburante. Posizionare il prodotto su una superficie piana. Assicurarsi che il gruppo di taglio non venga a contatto con il terreno o con altri oggetti.
- Il prodotto può causare l'espulsione di oggetti, che può risultare pericolosa per gli occhi. Utilizzare sempre una protezione per gli occhi omologata durante l'utilizzo del prodotto.
- Prestare la massima attenzione, un bambino può avvicinarsi al prodotto senza che ve ne accorgiate durante il funzionamento.
- Non utilizzare il prodotto in presenza di persone nell'area di lavoro. Arrestare il prodotto nel caso in cui una persona entri nell'area di lavoro.
- Mantenere sempre il controllo del prodotto.
- Non utilizzare il prodotto se non è possibile ricevere soccorso in caso di incidente. Assicurarsi sempre che gli altri sappiano che azionerete il prodotto prima di iniziare a utilizzarlo.
- Non accendere il prodotto se non si è sicuri che la zona di sicurezza sia sgombra da persone o animali.
- Rimuovere tutti i materiali indesiderati dall'area di lavoro prima di iniziare. Se il gruppo di taglio colpisce un oggetto, questo può saltare fuori causando lesioni o danni. Del materiale indesiderato può avvolgersi attorno al gruppo di taglio e causare dei danni.
- Non utilizzare il prodotto in condizioni meteorologiche sfavorevoli (nebbia, pioggia, vento forte, fulmini o altre condizioni climatiche). Condizioni meteorologiche sfavorevoli possono causare situazioni di pericolo (come superfici scivolose).
- Assicurarsi di potersi muovere liberamente e lavorare in una posizione stabile.  
(Fig. 22)
- Assicurarsi di essere stabili e non correre il rischio di cadere durante l'uso del prodotto. Non inclinarsi durante l'uso del prodotto.
- Tenere sempre il prodotto con due mani. Tenere il prodotto sul lato destro del proprio corpo.  
(Fig. 23)
- Utilizzare il prodotto con il gruppo di taglio al di sotto della vita.
- Se il comando della valvola dell'aria si trova nella posizione di starter all'avviamento del motore, il gruppo di taglio inizia a ruotare.

- Arrestare il motore prima di spostare il prodotto.
- Non appoggiare a terra il prodotto con il motore acceso.
- Prima di rimuovere materiali indesiderati dal prodotto, arrestare il motore e attendere fino a quando il gruppo di taglio si arresta. Lasciare che il gruppo di taglio si arresti prima di rimuovere il materiale tagliato.

## Abbigliamento protettivo

- Indossare sempre abbigliamento protettivo personale durante l'utilizzo del prodotto. L'abbigliamento protettivo personale non elimina completamente il rischio di lesioni. L'abbigliamento protettivo personale riduce il grado di lesioni in caso di incidente.
- Utilizzare sempre una protezione per gli occhi omologata durante l'utilizzo del prodotto.
- Non utilizzare mai il prodotto a piedi nudi o con calzature aperte. Utilizzare sempre robusti stivali antiscivolo.
- Utilizzare pantaloni lunghi di tessuto pesante.
- Se necessario, utilizzare guanti protettivi omologati.
- Utilizzare un elmetto in caso di possibile caduta di oggetti in testa.
- Utilizzare sempre protezioni acustiche omologate durante l'uso del prodotto. Un rumore prolungato può provocare la perdita dell'udito.
- Tenere sempre a portata di mano la cassetta di pronto soccorso.

## Dispositivi di protezione sul prodotto

- Eseguire regolarmente la manutenzione del prodotto.
  - Ciò aumenta la durata del prodotto.
  - E riduce il rischio di incidenti.

Far esaminare il prodotto da un rivenditore o un centro di assistenza autorizzati per eventuali regolazioni o riparazioni.

- Non utilizzare un prodotto con abbigliamento protettivo danneggiato. Se il prodotto è danneggiato, rivolgersi a un centro di assistenza autorizzato.

## Blocco del grilletto acceleratore

Il fermo blocca il grilletto acceleratore.

(Fig. 24)

Spingere il fermo (A) per rilasciare il grilletto acceleratore (B). Quando si rilascia l'impugnatura, il fermo del grilletto acceleratore e il grilletto acceleratore stesso ritornano nelle posizioni iniziali.

1. Assicurarsi che il grilletto acceleratore (B) sia bloccato sul minimo quando viene rilasciato il relativo fermo (A).

2. Premere il fermo (A) del grilletto acceleratore e accertarsi che ritorni nella posizione iniziale al rilascio.
3. Spingere il grilletto acceleratore (B) e accertarsi che ritorni nella posizione iniziale al rilascio.

Avviare il motore, quindi accelerare al massimo. Rilasciare il grilletto acceleratore e controllare se il gruppo di taglio si arresta. Se il gruppo di taglio ruota mentre l'acceleratore è al minimo, controllare la vite di regolazione del minimo del carburatore.

### Interruttore di arresto

Avviare il motore. Accertarsi che il motore si spenga quando si porta l'interruttore in posizione di arresto.

(Fig. 25)

### Protezione del gruppo di taglio

La protezione del gruppo di taglio impedisce che un oggetto allentato venga lanciato in direzione dell'operatore.

(Fig. 26)

Esaminare la protezione del gruppo di taglio per verificare l'eventuale presenza di danni e sostituire se danneggiato. Utilizzare solo la protezione omologata per il gruppo di taglio.

### Marmitta

- Non utilizzare un motore con una marmitta danneggiata. Una marmitta danneggiata aumenta il livello acustico e il rischio di incendio. Tenere sempre un estintore a portata di mano.
- Controllare con regolarità che la marmitta sia collegata al prodotto.
- Non toccare il motore o la marmitta quando il motore è acceso. Non toccare il motore o la marmitta per alcuni istanti dopo lo spegnimento del motore. Superfici calde possono causare lesioni.
- Una marmitta calda può causare un incendio. Prestare la massima attenzione se si utilizza il prodotto in prossimità di liquidi infiammabili o fumi.
- Non toccare le parti della marmitta se danneggiata. Le parti possono contenere alcune sostanze chimiche cancerogene.

### Gruppo di taglio

- Eseguire la manutenzione ordinaria. Far esaminare il gruppo di taglio da un centro di assistenza autorizzato per eventuali regolazioni o riparazioni.
  - Le prestazioni del gruppo di taglio aumentano.
  - La durata del gruppo di taglio aumenta.
  - E riduce il rischio di incidenti.
- Utilizzare solo una protezione del gruppo di taglio omologata. Per ulteriori informazioni, vedere *CARATTERISTICHE TECNICHE alla pagina 59*.
- Non utilizzare un gruppo di taglio danneggiato.

### Testina portafilo del decespugliatore

- Avvolgere il filo del decespugliatore in modo che non sia lento e che sia distribuito equamente attorno al tamburo per ridurre le vibrazioni.
- Utilizzare solo le testine portafilo e i fili del decespugliatore omologati. Vedere *CARATTERISTICHE TECNICHE alla pagina 59*.
- Utilizzare il filo del decespugliatore alla lunghezza giusta. Un filo del decespugliatore lungo utilizza maggiore potenza rispetto a uno corto.
- Verificare che il tagliante sulla protezione del gruppo di taglio non sia danneggiato.
- Immergere il filo del decespugliatore in acqua per 2 giorni prima di attaccarlo al prodotto. Così facendo si aumenta la durata del filo del decespugliatore.

### Sicurezza durante l'uso del carburante

- Non avviare il prodotto nel caso in cui vi sia carburante o olio motore su di esso. Rimuovere il carburante/olio indesiderato e lasciare che il prodotto si asciughi. Rimuovere il carburante indesiderato dal prodotto.
- In caso di perdite di carburante sugli indumenti, cambiarsi immediatamente.
- Il carburante non deve arrivare a contatto con il corpo, poiché può causare lesioni. In caso di contatto del carburante con il corpo, rimuoverlo con acqua e sapone.
- Non avviare il motore in caso di contatto dell'olio o del carburante con il prodotto o con il proprio corpo.
- Non avviare il prodotto se il motore presenta una perdita. Esaminare regolarmente il motore per verificare la presenza di eventuali perdite.
- Prestare la massima attenzione con il carburante. Il carburante è infiammabile e i fumi sono esplosivi quindi possono causare lesioni o morte.
- Non respirare i fumi del carburante perché possono causare lesioni. Accertarsi che ci sia un flusso d'aria sufficiente.
- Non fumare in prossimità del carburante o del motore.
- Non posizionare oggetti caldi in prossimità del carburante o del motore.
- Non aggiungere carburante a motore acceso.
- Assicurarsi che il motore sia freddo prima di effettuare il rifornimento.
- Prima di effettuare il rifornimento, aprire lentamente il tappo del serbatoio del carburante e rilasciare la pressione con cautela.
- Non aggiungere carburante al motore in un ambiente chiuso. Un flusso d'aria insufficiente può causare lesioni o la morte dovute ad asfissia o al monossido di carbonio.
- Serrare il tappo del serbatoio del carburante con cautela, altrimenti potrebbe verificarsi un incendio.

- Prima dell'avviamento, spostare il prodotto di almeno 3 m (10 ft) dal punto in cui è stato riempito il serbatoio del carburante.
- Non rabboccare il serbatoio con una quantità eccessiva di carburante.
- Assicurarsi che non si verifichino perdite quando si sposta il prodotto o la tanica carburante.
- Non posizionare il prodotto o una tanica carburante in ambienti in cui siano presenti fiamme libere, scintille o fiamme pilota. Assicurarsi che l'area di rimessaggio non contenga fiamme libere.
- Utilizzare solo contenitori omologati per spostare il carburante o riporlo in magazzino.
- Svuotare il serbatoio del carburante prima di lunghi periodi di stoccaggio. Attenersi alle leggi locali sullo smaltimento del carburante.
- Pulire il prodotto prima di un lungo periodo di stoccaggio.
- Rimuovere il cavo della candela prima di conservare il prodotto in magazzino per assicurarsi che il motore non si avvii accidentalmente.

## Istruzioni di sicurezza per la manutenzione

- Se non è possibile regolare il regime minimo per arrestare il gruppo di taglio, rivolgersi al proprio centro di assistenza. Non utilizzare il prodotto fino a quando non è correttamente regolato o riparato.

---

## MONTAGGIO

---



**AVVERTENZA:** Leggere il capitolo sulla sicurezza prima di assemblare il prodotto.

### Per fissare l'impugnatura ad anello

1. Fissare l'impugnatura ad anello all'albero attenendosi alla figura e serrare.(Fig. 27 )
2. Verificare che l'impugnatura ad anello sia fissata tra le frecce sull'albero.

### Per assemblare l'albero a due pezzi

1. Ruotare la manopola per allentare l'attacco dell'albero.(Fig. 28 )
2. Allineare la linguetta dell'albero (A) con la freccia sull'attacco dell'albero (B).(Fig. 29 )
3. Spingere l'albero nell'attacco fino a fissarlo.(Fig. 30 )
4. Accertarsi di aver serrato la manopola prima di utilizzare il prodotto.(Fig. 31 )

### Per smontare l'albero a due pezzi

1. Ruotare la manopola per allentare l'attacco dell'albero.(Fig. 32 )
2. Tenere premuto il pulsante (C).(Fig. 33 ) Tenendo premuto il lato motore, estrarre l'albero dall'attacco.

### Per montare il gruppo di taglio

#### Per fissare la protezione del gruppo di taglio e la testina portafilo (albero diritto)

1. Fissare la protezione del gruppo di taglio (A) all'albero con il bullone (L).(Fig. 34 ) Utilizzare la

protezione del gruppo di taglio e la testina portafilo corrette.

2. Montare il menabrida (B) sull'albero in uscita.
3. Ruotare l'albero in uscita fino a quando il foro del menabrida non si allinea con il foro della scatola ingranaggi.
4. Inserire un cacciavite piccolo (C) nel foro per bloccare l'albero.(Fig. 35 )
5. Ruotare la testina portafilo (H) in senso antiorario per serrarla alla trasmissione. (Filettature sinistrorse.)(Fig. 36 )

#### Per fissare la protezione del gruppo di taglio e la testina portafilo (albero curvo)

1. Fissare la protezione.(Fig. 37 ) Serrare il dado.
2. Fissare l'inserto sull'albero.(Fig. 38 )
3. Mantenere la coppa raccogli-polvere con una chiave regolabile per impedire la rotazione dell'albero.
4. Fissare la testina portafilo sull'albero. Ruotare la testina portafilo in senso orario.

# FUNZIONAMENTO



**AVVERTENZA:** Leggere e comprendere il capitolo sulla sicurezza prima di utilizzare il prodotto.

## Carburante

### Uso del carburante



**ATTENZIONE:** Questo prodotto è dotato di un motore a due tempi. Utilizzare una miscela di benzina e olio per motori a due tempi. Utilizzare la quantità di olio corretta nella miscela. Un rapporto non corretto di benzina e olio può causare danni al motore.

### Benzina



**ATTENZIONE:** Non utilizzare mai benzina con un numero di ottani inferiore a 90 RON (87 AKI). Ciò può causare danni al prodotto.



**ATTENZIONE:** Non utilizzare benzina con una concentrazione di etanolo superiore al 10% (E10). Ciò può causare danni al prodotto.

- Utilizzare sempre benzina senza piombo nuova con un numero di ottani minimo di 90 RON (87 AKI) e con una concentrazione di etanolo inferiore al 10% (E10).
- Utilizzare benzina con numero di ottani superiore se si utilizza frequentemente il prodotto a un regime alto continuo.

### Olio per motori a due tempi

- Utilizzare solo olio per motori a due tempi di alta qualità. Utilizzare solo olio per motori raffreddati ad aria.
- Non utilizzare altri tipi di olio.
- Rapporto miscela 50:1 (2%)

Benzina	Olio
1 U.S. Gal.	77 ml (2,6 oz)
1 UK Gal.	95 ml (3,2 oz)
5 l	100 ml (3,4 oz)

### Per preparare la miscela di carburante

**Nota:** Utilizzare sempre una tanica carburante pulita quando si prepara una miscela di carburante.

**Nota:** Preparare una quantità di miscela necessaria al massimo per 30 giorni.

1. Aggiungere la metà della quantità di benzina.
2. Aggiungere la quantità totale di olio.
3. Agitare la miscela per mescolare il contenuto.
4. Aggiungere la quantità di benzina rimanente.
5. Agitare la miscela per mescolare il contenuto.
6. Riempire il serbatoio del carburante.

### Per aggiungere carburante

- Utilizzare sempre una tanica carburante con valvola antigoccia.
- Nel caso in cui sulla tanica sia presente del carburante, rimuoverlo e far asciugare la tanica.
- Assicurarsi che l'area circostante il tappo del serbatoio del carburante sia pulita.
- Agitare la tanica carburante prima di aggiungere la miscela nel serbatoio del carburante.

### Per avviare e arrestare il motore

#### Prima di avviare il motore

- Verificare che non ci siano parti mancanti, danneggiate, allentate o usurate sul prodotto.
- Controllare i dadi, i bulloni e le viti.
- Controllare il filtro dell'aria.
- Verificare il corretto funzionamento del fermo del grilletto acceleratore e del comando dell'acceleratore.
- Verificare il corretto funzionamento dell'interruttore di arresto.
- Verificare eventuali perdite di carburante dal prodotto.
- Verificare l'affilatura e la tensione della catena.

#### Per avviare il motore a freddo

1. Premere il bulbo di adescamento 10 volte.(Fig. 39 )
2. Tirare il comando della valvola dell'aria verso l'alto. (Fig. 40 )
3. Mantenere il corpo del prodotto a terra con la mano sinistra.(Fig. 41 ) Non salire sul prodotto. Tirare lentamente la maniglia della fune di avviamento finché non si avverte una resistenza. Quindi, tirare la maniglia della fune di avviamento con forza.

**Nota:** Non tirare il grilletto acceleratore mentre si avvia il motore.

4. Continuare a tirare la maniglia della fune di avviamento fino a quando il motore si avvia o tenta di avviarsi (max. 3 volte). Se il motore si avvia o tenta di avviarsi, spingere verso il basso il comando



della valvola dell'aria. Continuare a tirare fino a quando il motore non si avvia. Attendere circa 60 secondi dopo l'avvio prima di tirare il grilletto acceleratore.



**ATTENZIONE:** Non tirare il cavo di avviamento fino a quando non si arresta. Non lasciare andare il cavo di avviamento quando è completamente estesa. Rilasciare il cavo di avviamento lentamente. La mancata osservanza di tali istruzioni può danneggiare il motore.

### Per avviare un motore caldo

1. Premere il bulbo di adescamento 10 volte.
2. Tirare la fune di avviamento finché il motore non si avvia.

### Per l'arresto

- Premere l'interruttore di arresto per arrestare il motore.(Fig. 42 )

**Nota:** L'interruttore di arresto torna automaticamente alla posizione iniziale.

### Per azionare il decespugliatore



**ATTENZIONE:** Dopo ogni operazione, far decelerare il motore fino al regime minimo. Un esercizio prolungato a pieno regime senza carico può causare danni al motore.

**Nota:** Pulire il coperchio della testina portafilo quando si collega un nuovo filo per impedire vibrazioni. Esaminare

le altre parti della testina portafilo e pulirle secondo necessità.

### Per rifilare l'erba

1. Mantenere la testina portafilo a poca distanza dal terreno ed angolarla.(Fig. 43 ) Non spingere il filo del decespugliatore nell'erba.
2. Ridurre la lunghezza del filo del decespugliatore di 10-12 cm (4-4,75 poll.) e diminuire il regime del motore per ridurre il rischio di danni alle piante.
3. Utilizzare l'80% dell'acceleratore durante il taglio dell'erba in prossimità di oggetti.(Fig. 44 )

### Per tagliare l'erba

1. Assicurarsi che la lama sia parallela al terreno durante il taglio.(Fig. 45 )
2. Non spingere la testina portafilo a terra. Il terreno e il prodotto possono danneggiarsi.
3. Non lasciare che la testina portafilo tocchi continuamente il terreno, in quanto potrebbe danneggiarsi.
4. Utilizzare il pieno acceleratore durante lo spostamento del prodotto da un lato all'altro per tagliare l'erba.(Fig. 46 ) Assicurarsi che il filo del decespugliatore sia parallelo al terreno.

### Per sostituire il filo del decespugliatore

(Fig. 47 )  
(Fig. 48 )  
(Fig. 49 )  
(Fig. 50 )  
(Fig. 51 )  
(Fig. 52 )  
(Fig. 53 )  
(Fig. 54 )

## MANUTENZIONE



**AVVERTENZA:** Leggere e comprendere il capitolo sulla sicurezza prima di pulire e riparare il prodotto o prima di eseguire la manutenzione.

### Schema di manutenzione

Rispettare il programma di manutenzione. Gli intervalli sono calcolati sulla base di un uso quotidiano del prodotto. Nel caso in cui il prodotto non venga utilizzato tutti i giorni, gli intervalli variano. Eseguire solo gli interventi di manutenzione riportati nel presente manuale. Rivolgersi a un centro di assistenza autorizzato per altri interventi di manutenzione non contenuti in questo manuale.

#### Manutenzione settimanale

- Pulire le superfici esterne.
- Controllare il regime del minimo.

- Controllare il livello del grasso del riduttore angolare (albero diritto).

#### Manutenzione mensile

- Esaminare la maniglia della fune di avviamento e la fune stessa.

#### Manutenzione annuale

- Esaminare la candela.
- Applicare del grasso sull'estremità dell'albero di trasmissione (albero a due pezzi).
- Pulire le superfici esterne del carburatore e le relative aree adiacenti.
- Pulire l'impianto di raffreddamento.
- Esaminare lo schermo parascintille.
- Esaminare il filtro del carburante.
- Esaminare il tubo pescante per verificare l'eventuale presenza di danni.
- Esaminare tutti i cavi e i raccordi.

## Manutenzione a 50 ore

- Far riparare o sostituire la marmitta da un centro di assistenza approvato.

## Per regolare il regime minimo

- Assicurarsi che il filtro dell'aria sia pulito e che il coperchio del filtro dell'aria sia fissato prima di regolare il regime minimo.
  - Regolare il regime del minimo servendosi della vite di regolazione T, indicata con il contrassegno "T".
  - Il regime del minimo è corretto quando il motore funziona uniformemente in tutte le posizioni. Deve esserci un buon margine fino al regime in cui il gruppo di taglio comincia a ruotare.
1. Ruotare la vite di regolazione del minimo in senso orario fino a quando il gruppo di taglio comincia a ruotare.(Fig. 55 )
  2. Ruotare la vite di regolazione del minimo in senso antiorario fino a quando il gruppo di taglio si arresta.

## Per gli interventi di manutenzione dello schermo parascintille

Utilizzare una spazzola metallica per pulire lo schermo parascintille.  
(Fig. 56 )

## Per pulire il sistema di raffreddamento

Pulire i componenti del sistema di raffreddamento con una spazzola.

(Fig. 57 )

## Per esaminare la candela



**ATTENZIONE:** Utilizzare la candela raccomandata. Accertarsi che il ricambio corrisponda al pezzo fornito dal produttore. Una candela errata può danneggiare il prodotto.

1. Esaminare la candela quando:
  - a) Il motore funziona a bassa potenza.
  - b) Il motore non si avvia facilmente.
  - c) Il motore non funziona correttamente a regime minimo.
2. Se il motore non si avvia o non funziona facilmente, esaminare la candela per verificare l'eventuale presenza di materiali indesiderati. Per ridurre il rischio di materiale superfluo sugli elettrodi delle candele:
  - a) Accertarsi che il regime minimo sia regolato correttamente.
  - b) Accertarsi che la miscela sia corretta.
  - c) Accertarsi che il filtro dell'aria sia pulito.
3. Pulire la candela se sporca. Verificare che la distanza tra gli elettrodi sia corretta.(Fig. 58 )

4. Sostituire la candela secondo necessità.

## Per applicare grasso all'albero a due pezzi

- Applicare del grasso sull'estremità dell'albero di trasmissione ogni 30 ore di funzionamento.(Fig. 59 )

## Per eseguire la manutenzione del filtro dell'aria

### Per pulire il filtro dell'aria

1. Rimuovere il filtro dell'aria e il relativo coperchio.(Fig. 60 )
2. Pulire il filtro dell'aria con acqua calda e sapone. Accertarsi che il filtro dell'aria sia asciutto prima di montarlo.
3. Sostituire il filtro dell'aria se è troppo sporco per poterlo pulire completamente. Sostituire sempre un filtro dell'aria danneggiato.
4. Se il prodotto dispone di un filtro dell'aria a schiuma, applicare dell'olio adeguato. Applicare olio solo a un filtro a schiuma. Non applicare olio a un filtro in feltro.

### Per applicare olio al filtro dell'aria



**ATTENZIONE:** Utilizzare sempre olio speciale sui filtri dell'aria a schiuma. Non utilizzare altri tipi di olio.



**AVVERTENZA:** Evitare che l'olio vada a contatto con il proprio corpo.

1. Rimuovere il filtro dell'aria e il relativo coperchio.(Fig. 61 )
2. Riporre il filtro dell'aria in un sacchetto di plastica.
3. Versare l'olio per il filtro dell'aria nel sacchetto di plastica.(Fig. 62 )
4. Esercitare una pressione sul sacchetto di plastica per assicurarsi che l'olio venga distribuito in modo uniforme sul filtro dell'aria.
5. Esercitare una pressione sul filtro dell'aria, contenuto nel sacchetto di plastica, per rimuovere l'olio che non è necessario. Rimuovere il filtro dell'aria dal sacchetto.
6. Montare il filtro dell'aria.

## Per aggiungere il grasso al riduttore angolare

Assicurarsi che il riduttore angolare sia pieno per 3/4 di grasso specifico.

(Fig. 63 )

## CARATTERISTICHE TECNICHE

	unità	129C (A05328CCHV)	129L (A05328CSHV)	129LK (A05328CSHV)
<b>Specifiche motore</b>				
Cilindrata	cm <sup>3</sup>	27,6	27,6	27,6
Distanza tra gli elettrodi	mm	0,5	0,5	0,5
Volume serbatoio del carburante	cm <sup>3</sup>	343	343	343
Regime minimo	min <sup>-1</sup>	2800 - 3200	2800 - 3200	2800 - 3200
Velocità massima	min <sup>-1</sup>	8000	8000	8000
Potenza	kW	0,85	0,85	0,85
Candela		Husqvarna HQT-4	Husqvarna HQT-4	Husqvarna HQT-4
Rotazione massima dell'albero in uscita	min <sup>-1</sup>	8500	7200	7200
<b>Dati relativi a rumorosità e vibrazioni</b>				
Livelli di vibrazioni equivalenti (ahv, eq) impugnatura sinistra - vedere la nota 1	m/s <sup>2</sup>	3,64	9,9	9,9
Livelli di vibrazioni equivalenti (ahv, eq) impugnatura destra - vedere la nota 1	m/s <sup>2</sup>	3,59	8,9	8,9
Livello di emissione sonora, garantito (L <sub>WA</sub> ) - vedere la nota 2	dB(A)	114	114	114
Livello di emissione sonora, misurato - vedere la nota 2	dB(A)	106	105	106
Livello di pressione acustica all'orecchio dell'operatore - vedere la nota 3	dB(A)	93	95	95
<b>Dimensioni del prodotto</b>				
Peso (esclusa attrezzatura di taglio)	kg	4,61	5,21	5,98
<p><b>Nota 1:</b> I dati riportati per il livello di vibrazione equivalente hanno una dispersione statistica tipica (deviazione standard) di 1 m/s<sup>2</sup>.</p> <p><b>Nota 2:</b> emissioni di rumore nell'ambiente misurate come potenza sonora (L<sub>WA</sub>) in base alla direttiva CE 2000/14/CE. Il livello di potenza acustica riportato per la macchina è stato misurato con il gruppo di taglio originale che emette il livello massimo. La differenza tra potenza acustica misurata e garantita è che la potenza acustica garantita comprende anche la dispersione nel risultato di misurazione e le variazioni tra le diverse macchine dello stesso modello come da Direttiva 2000/14/CE.</p> <p><b>Nota 3:</b> i dati riportati per il livello di pressione acustica equivalente del macchinario hanno una dispersione statistica tipica (deviazione standard) di 1 dB (A).</p>				

## ACCESSORI

129C		
Accessori omologati	Tipo	Protezione del gruppo di taglio
Albero filettato (3/8 R)		
Testina portafilo	T25 (Ø 2,0 - 2,4 mm)	580 44 66-10
129L, 129LK		
Accessori omologati	Tipo	Protezione del gruppo di taglio
Albero filettato (M10L)		
Testina portafilo	T25 (Ø 2,0 - 2,4 mm)	580 44 66-06

Accessori opzionali	Tipo	Da usarsi con
Accessorio spazzatrice con albero	SR600	129LK
Accessorio tagliasiepi con albero	HA850	129LK
Accessorio tagliabordi con albero cavo	EA850	129LK
Accessorio motosega con albero	PA1100	129LK
Accessorio zappatrice con albero	CA150	129LK
Accessorio decespugliatore con albero	TA850	129LK
Accessorio motosega con albero	PAX1100	129LK
Accessorio motosega con albero	PAX730	129LK

## CONTENUTO DELLA DICHIARAZIONE DI CONFORMITÀ CE

Husqvarna AB, SE-561 82 Huskvarna, Svezia, dichiara sotto la propria esclusiva responsabilità che il prodotto indicato:

È pienamente conforme alle seguenti norme e direttive UE:

Descrizione	Decespugliatore a benzina
Marchio	Husqvarna
Piattaforma / Tipo / Modello	Piattaforma A05328CCHV, rappresentante il modello 129C  Piattaforma A05328CSHV, rappresentante i modelli 129L e 129LK
Lotto	A partire dal numero di serie 2013

Direttiva/norma	Descrizione
2006/42/CE	"sulle macchine"
2014/30/UE	"sulla compatibilità elettromagnetica"
2000/14/CE	"sul rumore esterno"

Le norme armonizzate e/o specifiche tecniche applicate sono le seguenti: EN ISO 12100, EN ISO 11806-1, CISPR 12, ISO 14982

In conformità alla direttiva 2000/14/CE, Allegato V, i valori per i livelli sonori dichiarati sono riportati nella sezione Dati tecnici del presente manuale e nel documento firmato Dichiarazione di conformità CE.

TÜV Rheinland N.A. ha eseguito l'omologazione volontaria per conto di Husqvarna AB, emettendo il Certificato di conformità relativo alla direttiva del Consiglio 2006/42/CE sulle macchine.

Il certificato, come riportato sulla Dichiarazione di conformità CE firmata, si applica a tutti i siti produttivi e paesi d'origine, così come riportati sul prodotto.

Il decespugliatore a benzina in dotazione è conforme agli esemplari sottoposti a omologazione.

---

## Inhoud

---

INLEIDING.....	62	TECHNISCHE GEGEVENS.....	69
VEILIGHEID.....	63	ACCESSOIRES.....	70
MONTEREN.....	66	INHOUD VAN DE EG-VERKLARING VAN OVEREENSTEMMING.....	71
BEDIENING.....	66	.....	0
ONDERHOUD.....	68		

---

## INLEIDING

---

### Gebruikershandleiding

De oorspronkelijke taal van deze gebruikshandleiding is Engels. Bedieningshandleidingen in andere talen zijn vertalingen uit het Engels.

### Overzicht

(Fig. 1 )

1. Trimmerkop
2. Vuldop smeervet
3. Hoekoverbrenging
4. Beschermkap voor snijuitrusting
5. As
6. Staal koppeling
7. Loophandvat
8. Gashendel
9. Stopschakelaar
10. Gashendelvergrendeling
11. Bougiekap, bougie
12. Starterhuis
13. Startkoordhendel
14. Brandstoftank
15. Luchtfilterdeksel
16. Brandstofpomp
17. Chokehendel
18. Meenemer
19. Gebruiksaanwijzing

### Symbolen op het product

(Fig. 2 ) Waarschuwing

(Fig. 3 ) Lees deze handleiding.

(Fig. 4 ) Gebruik goedgekeurde hoofdbescherming.

(Fig. 5 ) Gebruik goedgekeurde gehoorbescherming.

(Fig. 6 ) Gebruik goedgekeurde oogbescherming.

(Fig. 7 ) Draag goedgekeurde beschermende handschoenen.

(Fig. 8 ) Draag veiligheidsschoenen of veiligheidslaarzen.

(Fig. 9 ) Het gebruik van het apparaat kan tot rondvliegende voorwerpen leiden, waardoor oogletsel kan ontstaan.

(Fig. 10 ) Het gebruik van het apparaat kan tot rondvliegende voorwerpen leiden, waardoor oogletsel kan ontstaan.

(Fig. 11 ) Max. toerental van de uitgaande as.

(Fig. 12 ) Veiligheidsafstand

(Fig. 13 ) Gebruik uitsluitend een goedgekeurde trimmerdraad. Gebruik geen blad.

(Fig. 14 ) Gebruik geen metalen maaihulpstuk.

(Fig. 15 ) Zorg ervoor dat lang haar tot boven uw schouders wordt samengebonden.

(Fig. 16 ) De pijlen geven de limieten van de positie van de hendel weer.

(Fig. 17 ) Geluidsvermogeniveau.

(Fig. 18 ) Geluidsniveau

(Fig. 19 ) Het product voldoet aan de geldende EG-richtlijnen.

(Fig. 20 ) Het product voldoet aan de geldende EAC-richtlijnen.

(Fig. 21 ) Het product voldoet aan de geldende Oekraïense richtlijnen.

---

**Let op:** Andere symbolen/stickers op het product hebben betrekking op certificeringseisen voor overige commerciële markten.

---

## Productaansprakelijkheid

Zoals uiteengezet in de wet voor productaansprakelijkheid zijn wij niet aansprakelijk voor schade die door ons product wordt veroorzaakt, indien:

- het product niet goed is gerepareerd.
- het product is gerepareerd met onderdelen die niet van de fabrikant afkomstig zijn, of onderdelen die niet zijn goedgekeurd door de fabrikant.

- het product een accessoire bevat die niet afkomstig is van de fabrikant of niet is goedgekeurd door de fabrikant.
- het product niet is gerepareerd door een erkend servicepunt of door een erkende autoriteit.

---

## VEILIGHEID

---

### Veiligheidsdefinities

De onderstaande definities geven de mate van ernst weer voor elk trefwoord.



**WAARSCHUWING:** Letsel aan personen.



**OPGELET:** Schade aan het product.

**Let op:** Deze informatie maakt het product eenvoudiger in gebruik.

### Algemene veiligheidsinstructies

- Gebruik het product op de juiste manier. Onjuist gebruik leidt mogelijk tot letsel of de dood. Gebruik het product uitsluitend voor de taken die in deze handleiding worden genoemd. Gebruik het product niet voor andere taken.
- Volg de instructies in deze handleiding op. Volg de veiligheidssymbolen en veiligheidsinstructies op. Het niet in acht nemen van de instructies en de symbolen kan leiden tot letsel, schade of de dood.
- Gooi deze handleiding niet weg. Gebruik de instructies voor het monteren, gebruiken en onderhouden van uw product. Gebruik de instructies voor een correcte installatie van opzetstukken en accessoires. Gebruik alleen goedgekeurde opzetstukken en accessoires.
- Gebruik nooit een beschadigd product. Neem het onderhoudsschema in acht. Voer alleen onderhoudswerkzaamheden uit waarvoor u in deze handleiding een instructie aantreft. Alle overige onderhoudswerkzaamheden moeten door een erkend servicepunt worden uitgevoerd.
- Deze handleiding kan niet alle situaties beschrijven die zich voor kunnen doen wanneer u dit product gebruikt. Wees voorzichtig en gebruik uw gezond verstand. Gebruik het product niet en voer geen onderhoudswerkzaamheden aan het product uit als u niet zeker bent van de situatie. Neem voor meer informatie contact op met een productexpert, uw dealer, servicewerkplaats of erkende servicepunt.
- Koppel de bougiekabel los voordat u het product monteert, het product opslaat of onderhoudswerkzaamheden uitvoert.
- Gebruik het product niet als de oorspronkelijke specificatie is gewijzigd. Vervang geen onderdelen van het product zonder toestemming van de fabrikant. Gebruik alleen onderdelen die zijn goedgekeurd door de fabrikant. Onjuist onderhoud kan leiden tot letsel of de dood.
- Adem geen dampen in van de motor. Langdurig inademen van de uitlaatgassen van de motor kan een gevaar voor de gezondheid opleveren.
- Start het product niet in gesloten ruimtes of in de buurt van licht ontvlambaar materiaal. De uitlaatgassen zijn heet en kunnen vonken veroorzaken die tot brand kunnen leiden. Onvoldoende ventilatie kan leiden tot ernstig letsel of de dood door verstikking of het inademen van koolmonoxide.
- Wanneer u dit product gebruikt, genereert de motor een elektromagnetisch veld. Het elektromagnetische veld kan schade veroorzaken aan medische implantaten. Raadpleeg uw arts en de fabrikant van het medische implantaat voordat u het product gebruikt.
- Laat het product niet door een kind bedienen. Laat het product niet bedienen door personen die de instructies niet hebben gelezen.
- Zorg ervoor dat u personen met een lichamelijke of geestelijke beperking die het product gebruiken, altijd in de gaten houdt. Er moet te allen tijde een verantwoordelijke volwassene aanwezig zijn.
- Berg het product op in een afgesloten ruimte die niet toegankelijk is voor kinderen of onbevoegde personen.
- Het product kan objecten uitwerpen en letsel veroorzaken. Neem de veiligheidsinstructies in acht om het risico op letsel of de dood te verlagen.
- Blijf in de buurt van het product wanneer de motor is ingeschakeld.
- De gebruiker van het product is verantwoordelijk indien zich een ongeval voordoet.
- Zorg dat er geen onderdelen beschadigd zijn, voordat u het product gebruikt.
- Zorg ervoor dat u minimaal 15 m (50 ft) van andere personen en dieren verwijderd bent, voordat u het product gaat gebruiken. Zorg ervoor dat personen in

aangrenzende gebieden weten dat u het product gaat gebruiken.

- Neem nationale en lokale wetgeving in acht. Deze kan het gebruik van het product in sommige situaties beperken of verbieden.
- Gebruik het product niet als u moe bent, of onder invloed van alcohol, drugs of medicijnen verkeert. Ze kunnen een negatief effect hebben op uw zicht, alertheid, coördinatie of oordeel.

## Veiligheidsinstructies voor bediening

- Zorg ervoor dat het product volledig is gemonteerd voordat u het gaat gebruiken.
- Verplaats het product minstens 3 m (10 ft) van de plaats waar u de brandstoftank hebt gevuld, voordat u het product start. Plaats het product op een vlakke ondergrond. Zorg ervoor dat de snijuitrusting niet in aanraking komt met de grond of andere objecten.
- Het gebruik van het apparaat kan tot rondvliegende voorwerpen leiden, waardoor oogletsel kan ontstaan. Gebruik altijd goedgekeurde oogbescherming wanneer u het product gebruikt.
- Let op: Tijdens het gebruik kan een kind zonder uw medeweten dicht bij het product komen.
- Gebruik dit product niet als zich personen in het werkgebied bevinden. Schakel het product uit wanneer een persoon het werkgebied betreedt.
- Zorg dat u het product altijd onder controle hebt.
- Gebruik het product niet als u geen hulp kunt krijgen indien zich een ongeval voordoet. Zorg er altijd voor dat anderen weten dat u het product gaat gebruiken voordat u het product start.
- Draai niet met het product voordat u zeker weet dat er zich geen personen of dieren in de veiligheidszone bevinden.
- Verwijder alle ongewenste materialen uit het werkgebied voordat u begint. Als de snijuitrusting een object raakt, dan kan dit object worden uitgeworpen en letsel of schade veroorzaken. Ongewenst materiaal kan zich rond de snijuitrusting wikkelen en schade veroorzaken.
- Gebruik het product niet bij slecht weer (mist, regen, sterke wind, gevaar van blikseminslag of andere weersomstandigheden.). Slecht weer kan leiden tot gevaarlijke omstandigheden (zoals gladde oppervlakken).
- Zorg dat u vrij kunt bewegen en in een stabiele houding kunt werken.

(Fig. 22 )

- Zorg dat u niet kunt vallen wanneer u het product gebruikt. Buig u niet voorover of achterover wanneer u het product bedient.
- Houd het product altijd met twee handen vast. Houd het apparaat rechts van uw lichaam.

(Fig. 23 )

- Bedien het product zodanig dat de snijuitrusting zich onder uw middel bevindt.

- Als de chokehendel in de chokestand staat wanneer de motor wordt ingeschakeld, dan begint de snijuitrusting te draaien.
- Raak de hoekoverbrenging niet aan nadat de motor is uitgeschakeld. De hoekoverbrenging is heet nadat de motor is uitgeschakeld. Hete oppervlakken kunnen letsel veroorzaken.
- Schakel de motor uit voordat u het product verplaatst.
- Zet het product niet neer terwijl de motor is ingeschakeld.
- Schakel de motor uit en wacht totdat de snijuitrusting is gestopt voordat u ongewenst materiaal van het product verwijdert. Laat de snijuitrusting eerst stoppen voordat u (al dan niet met een hulpmiddel) het maaisel verwijdert.

## Persoonlijke beschermingsmiddelen

- Gebruik altijd de juiste persoonlijke beschermingsmiddelen wanneer u het product gebruikt. De persoonlijke beschermingsmiddelen nemen het risico op letsel niet weg. De persoonlijke beschermingsmiddelen verlagen de ernst van het letsel indien zich een ongeval voordoet.
- Gebruik altijd goedgekeurde oogbescherming wanneer u het product gebruikt.
- Bedien het product niet op blote voeten of met open schoenen. Gebruik altijd antisliplaarzen voor zwaar gebruik.
- Draag een lange broek van stevige stof.
- Gebruik indien nodig goedgekeurde beschermende handschoenen.
- Gebruik een helm als er objecten op uw hoofd kunnen vallen.
- Gebruik altijd goedgekeurde gehoorbescherming wanneer u het product gebruikt. Langdurig lawaai kan gehoorverlies veroorzaken.
- Zorg ervoor dat u een EHBO-kit bij de hand hebt.

## Veiligheidsvoorzieningen op het product

- Zorg ervoor dat u regelmatig onderhoudswerkzaamheden uitvoert aan het product.
  - De levensduur van het product neemt toe.
  - Het risico van ongevallen neemt af.

Laat het product regelmatig door een erkende dealer of een erkend servicepunt controleren, zodat er aanpassingen en reparaties uitgevoerd kunnen worden.

- Gebruik geen product met beschadigde beschermingsmiddelen. Als het product beschadigd is, neemt u dan contact op met een erkend servicepunt.

## Gashendelvergrendeling

De gashendelvergrendeling vergrendelt de gashendel.



(Fig. 24 )

Druk op de gashendelvergrendeling (A) om de gashendel (B) te ontgrendelen. Wanneer u de hendel ontgrendelt, gaan de gashendelvergrendeling en de gashendel terug naar hun oorspronkelijke stand.

1. Zorg dat de gashendel (B) is vergrendeld in de stationaire stand wanneer u de gashendelvergrendeling (A) ontgrendelt.
2. Druk op de gashendelvergrendeling (A) en controleer of deze teruggaat naar de oorspronkelijke stand wanneer u deze loslaat.
3. Druk op de gashendel (B) en controleer of deze teruggaat naar de oorspronkelijke stand wanneer u deze loslaat.

Start de motor en zet het gas volledig open. Laat de gashendel los en controleer of de snijuitrusting stopt. Als de snijuitrusting draait terwijl de gashendel in de stationaire stand staat, controleer dan de stelschroef voor de stationaire stand van de carburateur.

## Stopschakelaar

Start de motor. Controleer of de motor stopt wanneer u de stopschakelaar in de stop-stand zet.

(Fig. 25 )

## Beschermkap voor snijuitrusting

De beschermkap van de snijuitrusting voorkomt dat losse objecten in de richting van de gebruiker kunnen vliegen.

(Fig. 26 )

Controleer de beschermkap van de snijuitrusting op schade en vervang hem indien hij beschadigd is. Gebruik alleen de goedgekeurde beschermkap voor de snijuitrusting.

## Geluiddemper

- Gebruik geen motor met een beschadigde geluiddemper. Een beschadigde geluiddemper laat het geluidniveau stijgen en vergroot het risico van brand. Zorg dat er een brandblusser in de buurt is.
- Controleer regelmatig of de geluiddemper aan het product is bevestigd.
- Raak de motor en de geluiddemper niet aan terwijl de motor is ingeschakeld. Raak de motor en de geluiddemper een tijdje niet aan nadat de motor is uitgeschakeld. Hete oppervlakken kunnen letsel veroorzaken.
- Een hete geluiddemper kan brand veroorzaken. Let op als u het product in de buurt van ontvlambare vloeistoffen of dampen gebruikt.
- Raak geen onderdelen van de geluiddemper aan als de geluiddemper beschadigd is. De onderdelen kunnen kankerverwekkende chemicaliën bevatten.

## Snijuitrusting

- Voer regelmatig onderhoud uit. Laat de snijuitrusting regelmatig door een erkend servicepunt controleren,

zodat er aanpassingen en reparaties uitgevoerd kunnen worden.

- Dit leidt tot betere prestaties van de snijuitrusting.
- De levensduur van de snijuitrusting neemt toe.
- Het risico van ongevallen neemt af.
- Gebruik uitsluitend een goedgekeurde beschermkap voor de snijuitrusting. Voor meer informatie zie *TECHNISCHE GEGEVENS* op pagina 69.
- Gebruik nooit beschadigde snijuitrusting.

## Grastrimmerkop

- Zorg dat u de grastrimmerdraad strak en gelijkmatig om de trommel rolt om trillingen te verminderen.
- Gebruik alleen goedgekeurde grastrimmerkoppen en grastrimmerdraden. Zie *TECHNISCHE GEGEVENS* op pagina 69.
- Gebruik een grastrimmerdraad met de juiste lengte. Een lange grastrimmerdraad gebruikt meer motorvermogen dan een korte grastrimmerdraad.
- Zorg ervoor dat het mes op de beschermkap van de snijuitrusting niet beschadigd is.
- Laat de grastrimmerdraad 2 dagen in water weken voordat u deze op het product bevestigt. Dit zorgt voor een langere levensduur van de grastrimmerdraad.

## Brandstofveiligheid

- Start het product niet als er brandstof of motorolie op het product aanwezig is. Verwijder de ongewenste brandstof/olie en laat het product drogen. Verwijder ongewenste brandstof van het product.
- Als u brandstof op uw kleding morst, trek dan direct andere kleding aan.
- Zorg dat er geen brandstof op uw lichaam terecht komt, dit kan letsel veroorzaken. Als er brandstof op uw lichaam terecht komt, verwijder deze dan met water en zeep.
- Start de motor niet als u brandstof op het product of op uw lichaam hebt gemorst.
- Start het product niet als er sprake is van een motorlekkage. Controleer de motor regelmatig op lekkage.
- Wees voorzichtig met brandstof. Brandstof is licht ontvlambaar en de dampen zijn explosief. Ze kunnen letsel veroorzaken of leiden tot de dood.
- Adem geen brandstofdampen in, dit kan letsel veroorzaken. Zorg voor voldoende ventilatie.
- Rook niet in de buurt van de brandstof of de motor.
- Plaats geen warme voorwerpen in de buurt van de brandstof of de motor.
- Vul geen brandstof bij terwijl de motor is ingeschakeld.
- Zorg ervoor dat de motor koud is wanneer u brandstof bijvult.
- Draai de tankdop langzaam open en laat de druk voorzichtig ontsnappen voordat u brandstof bijvult.

- Vul geen brandstof voor de motor bij in een afgesloten ruimte. Onvoldoende ventilatie kan leiden tot ernstig letsel of de dood door verstikking of het inademen van koolmonoxide.
- Draai de tankdop goed vast, zodat er geen brand kan ontstaan.
- Verplaats het product minstens 3 m (10 ft) van de plaats waar u de brandstoftank hebt gevuld, voordat u het product start.
- Doe niet te veel brandstof in de brandstoftank.
- Zorg dat er geen brandstof wordt gemorst wanneer u het product of de jerrycan met brandstof verplaatst.
- Plaats het product of de jerrycan met brandstof niet op een plaats waar deze wordt blootgesteld aan open vuur, vonken of waakvlammen. Zorg dat er geen open vuur aanwezig is in de opslagruimte.

- Gebruik alleen goedgekeurde jerrycans voor het verplaatsen of opslaan van brandstof.
- Leeg de brandstoftank voordat het product gedurende lange tijd wordt opgeslagen. Neem lokale wetgeving in acht voor het afvoeren van brandstof.
- Reinig het product voordat het gedurende lange tijd wordt opgeslagen.
- Verwijder de bougiekabel voordat het product wordt opgeslagen, zodat de motor niet onbedoeld kan starten.

## Veiligheidsinstructies voor onderhoud

- Neem contact op met uw servicepunt als het stationaire toerental niet zo kan worden afgesteld dat de snijuitrusting stopt. Gebruik het product niet voordat het correct is afgesteld of gerepareerd.

---

# MONTEREN

---



**WAARSCHUWING:** Lees het hoofdstuk over veiligheid voordat u het product monteert.

## Lusgreep bevestigen

1. Bevestig de lusgreep op de steel zoals afgebeeld en zet de lusgreep vast.(Fig. 27 )
2. Zorg ervoor dat de lusgreep tussen de pijlen op de as wordt bevestigd.

## Deelbare steel monteren

1. Draai aan de knop om de steelkoppeling los te maken.(Fig. 28 )
2. Zorg dat de nok van de steel (A) op een lijn ligt met de pijl op de steelkoppeling (B).(Fig. 29 )
3. Duw de steel in de steelkoppeling totdat de steel vastklikt.(Fig. 30 )
4. Zorg dat u de knop weer vastdraait voordat u het product gebruikt.(Fig. 31 )

## Deelbare steel demonteren

1. Draai aan de knop om de steelkoppeling los te maken.(Fig. 32 )
2. Druk de knop (C) in en houd deze ingedrukt.(Fig. 33 ) Houd het uiteinde waaraan de motor zit vast en trek de steel uit de steelkoppeling.

## Snijuitrusting monteren

### Beschermkap van snijuitrusting en trimmerkop (rechte steel) bevestigen

1. Bevestig de beschermkap van de snijuitrusting (A) met de bout (L) aan de steel.(Fig. 34 ) Zorg dat de juiste beschermkap van de snijuitrusting en de juiste trimmerkop worden gebruikt.
2. Bevestig de meenemer (B) op de uitgaande as.
3. Draai aan de uitgaande as totdat het gat in de meenemer op één lijn ligt met de opening in het tandwielhuis.
4. Plaats een kleine schroevendraaier (C) in de opening om de as te vergrendelen.(Fig. 35 )
5. Draai de trimmerkop (H) linksom om de trimmerkop op het tandwielhuis te bevestigen. (Linkse schroefdraad.)(Fig. 36 )

### Beschermkap van snijuitrusting en trimmerkop bevestigen (gebogen steel)

1. Bevestig de beschermkap.(Fig. 37 ) Draai de moer vast.
2. Bevestig de stofkap op de as.(Fig. 38 )
3. Houd de stofkap vast met een verstelbare sleutel, zodat de steel niet kan draaien.
4. Bevestig de trimmerkop op de steel. Draai de trimmerkop rechtsom.

---

# BEDIENING

---



**WAARSCHUWING:** Lees en begrijp het hoofdstuk over veiligheid voordat u het product gebruikt.

# Brandstof

## Brandstof gebruiken



**OPGELET:** Dit product heeft een tweetaktmotor. Gebruik een mengsel van benzine en tweetakt-motorolie. Zorg dat u de juiste hoeveelheid olie gebruikt in het mengsel. Door een onjuiste verhouding van benzine en olie kan de motor beschadigd raken.

## Benzine



**OPGELET:** Gebruik geen benzine met een octaangetal lager dan 90 RON (87 AKI). Dit kan schade aan het product veroorzaken.



**OPGELET:** Gebruik geen benzine met een ethanolgehalte van meer dan 10% (E10). Dit kan schade aan het product veroorzaken.

- Gebruik altijd nieuwe loodvrije benzine met een minimaal octaangetal van RON 90 (87 AKI) en een ethanolgehalte van minder dan 10% (E10).
- Gebruik benzine met een hoger octaangetal als u het product regelmatig gebruikt met een hoog motortoerental.

## Tweetakt-motorolie

- Gebruik alleen hoogwaardige tweetakt-motorolie. Gebruik alleen motorolie voor luchtgekoelde tweetakt-motorolie.
- Gebruik geen andere typen olie.
- Mengverhouding 50:1 (2%)

Benzine	Olie
1 U.S. Gal.	77 ml (2,6 oz)
1 UK Gal.	95 ml (3,2 oz)
5 l	100 ml (3,4 oz)

## Brandstof mengen

**Let op:** Gebruik altijd een schone jerrycan wanneer u brandstof gaat mengen.

**Let op:** Maak een hoeveelheid brandstofmengsel voor maximaal 30 dagen.

1. Voeg de helft van de hoeveelheid benzine toe.
2. Voeg de volledige hoeveelheid olie toe.
3. Schud het brandstofmengsel om de stoffen te mengen.
4. Voeg de resterende hoeveelheid benzine toe.

5. Schud het brandstofmengsel om de stoffen te mengen.

6. Vul de brandstoftank.

## Brandstof vullen

- Gebruik altijd een jerrycan met een anti-morsschenkruit.
- Als er brandstof op de jerrycan aanwezig is, dan verwijdert u de ongewenste brandstof en laat u de jerrycan drogen.
- Zorg dat het oppervlak rondom de tankdop schoon is.
- Schud de jerrycan voordat u het brandstofmengsel in de brandstoftank laat lopen.

## Starten en stoppen

### Voordat u de motor start

- Controleer het product op ontbrekende, beschadigde, loszittende of versleten onderdelen.
- Controleer de moeren, schroeven en bouten.
- Controleer het luchtfilter.
- Controleer of de gashendelvergrendeling en de gashendel naar behoren werken.
- Controleer of de stopschakelaar naar behoren werkt.
- Controleer het product op brandstoflekage.
- Controleer de scherpte en de spanning van de zaagketting.

### Koude motor starten

1. Druk het balgie voor extra brandstoftoevoer 10 maal in.(Fig. 39 )
2. Trek de chokehendel omhoog.(Fig. 40 )
3. Druk de behuizing van het apparaat met uw linkerhand op de grond.(Fig. 41 ) Stap niet op het product. Trek langzaam aan de greep van het startkoord totdat u enige weerstand voelt. Trek daarna stevig aan de greep van het startkoord.

**Let op:** Trek niet aan de gashendel terwijl u de motor start.

4. Trek herhaaldelijk aan de greep van het startkoord totdat de motor start of probeert te starten (max. 3 keer trekken). Als de motor start of probeert te starten, drukt u de chokehendel omlaag. Trek net zolang aan de greep totdat de motor start. Wacht na het starten van de motor 60 seconden voordat u de gashendel bedient.



**OPGELET:** Trek niet aan het startkoord totdat deze stopt. Laat het startkoord niet los wanneer het volledig is uitgetrokken. Laat het startkoord langzaam los. Het niet naleven van deze instructies kan leiden tot motorschade.

## Warme motor starten

1. Druk het balgje voor extra brandstoftoevoer 10 maal in.
2. Trek aan het startkoord totdat de motor start.

## Stoppen

- Druk de stopschakelaar in om de motor te stoppen. (Fig. 42 )

**Let op:** De stopschakelaar keert automatisch terug naar zijn oorspronkelijke stand.

## Grastrimmer bedienen



**OPGELET:** Zorg dat u het motortoerental na elke activiteit terug laat lopen naar het stationaire toerental. Langdurig gebruik bij onbelast volgas kan leiden tot motorschade.

**Let op:** Reinig de afdekking van de trimmerkop wanneer u een nieuwe trimmerdraad aanbrengt, om trillingen te voorkomen. Controleer de andere delen van de trimmerkop en reinig deze indien nodig.

## Gras trimmen

1. Houd de trimmerkop vlak boven de grond en schuin. (Fig. 43 ) Druk de grastrimmerdraad niet in het gras.

2. Kort de grastrimmerdraad 10-12 cm (4-4,75 inch) in en verlaag het motortoerental om het risico van schade aan planten te voorkomen.
3. Gebruik 80 % van het vermogen wanneer u in de buurt van objecten gras maait.(Fig. 44 )

## Gras maaien

1. Zorg dat de grastrimmerdraad parallel loopt aan de grond wanneer u gaat maaien.(Fig. 45 )
2. Duw de trimmerkop niet op de grond. De grond en het product kunnen hierdoor beschadigd raken.
3. Zorg dat de trimmerkop de grond niet continu raakt. Hierdoor kan de trimmerkop beschadigd raken.
4. Gebruik volgas wanneer u het product heen en weer beweegt om gras te maaien.(Fig. 46 ) Zorg dat de grastrimmerdraad parallel loopt aan de grond.

## Trimmerdraad vervangen

- (Fig. 47 )
- (Fig. 48 )
- (Fig. 49 )
- (Fig. 50 )
- (Fig. 51 )
- (Fig. 52 )
- (Fig. 53 )
- (Fig. 54 )

# ONDERHOUD



**WAARSCHUWING:** Lees en begrijp het hoofdstuk over veiligheid voordat u gaat reinigen of reparaties of onderhoud gaat uitvoeren.

## TECHNISCHE GEGEVENS

Houd u aan het onderhoudsschema. De intervallen worden berekend op basis van het dagelijks gebruik van het product. De intervallen wijken af als u het product niet dagelijks gebruikt. Voer alleen onderhoudswerkzaamheden uit die in deze handleiding worden beschreven. Neem voor overige onderhoudswerkzaamheden die niet in deze handleiding worden beschreven contact op met een erkend servicepunt.

### Wekelijks onderhoud

- Reinig de externe oppervlakken.
- Controleer het stationaire toerental.
- Controleer de smering van de hoekoverbrenging (rechte steel).

### Maandelijks onderhoud

- Controleer de greep van het startkoord en het startkoord.

### Jaarlijks onderhoud

- Controleer de bougie.
- Breng smeermiddel aan op het uiteinde van de aandrijfas (deelbare steel).
- Reinig de externe oppervlakken van de carburateur en de aangrenzende oppervlakken.
- Reinig het koelsysteem.
- Controleer het vonkenscherm.
- Controleer het brandstoffilter.
- Controleer de brandstofslang op schade.
- Controleer alle kabels en aansluitingen.

### Onderhoud na 50 uur

- Zorg dat de geluiddemper wordt gerepareerd of vervangen door een erkend servicepunt.

## Stationair toerental afstellen

- Zorg dat het luchtfilter schoon is en dat het luchtfilterdeksel is aangebracht voordat het stationaire toerental wordt afgesteld.
- Stel het stationaire toerental af met de bijbehorende T-stelschroef met de markering "T".
- Het stationaire toerental is juist wanneer de motor in alle standen soepel draait. Het stationaire toerental moet lager zijn dan het toerental waarbij de snijuitrusting begint te draaien.

1. Draai de stelschroef rechtsom tot de snijuitrusting begint te draaien.(Fig. 55 )
2. Draai de stelschroef linksom tot de snijuitrusting stopt.

## Onderhoud uitvoeren aan het vonkenscherm

Gebruik een staalborstel om het vonkenscherm te reinigen.  
(Fig. 56 )

## Koelsysteem reinigen

Reinig de onderdelen van het koelsysteem met een borstel.

(Fig. 57 )

## Bougie controleren



**OPGELET:** Gebruik de aanbevolen bougie. Zorg dat het vervangende onderdeel identiek is aan het onderdeel dat door de fabrikant wordt geleverd. Een onjuiste bougie kan leiden tot schade aan het product.

1. Controleer de bougie als:
  - a) het motorvermogen laag is.
  - b) de motor niet soepel start.
  - c) de motor niet naar behoren werkt bij stationair toerental.
2. Als de motor niet soepel start of draait, controleer dan of er ongewenst materiaal op de bougie aanwezig is. Om het risico van ongewenst materiaal op de elektroden van de bougie te beperken:
  - a) zorg dat het stationaire motortoerental correct is afgesteld.
  - b) zorg dat het brandstofmengsel correct is.
  - c) zorg dat het luchtfilter schoon is.
3. Reinig de bougie als deze vuil is. Controleer of de afstand tussen de elektroden juist is.(Fig. 58 )
4. Vervang de bougie indien nodig.

## Smeermiddel aanbrengen op de deelbare steel

- Breng telkens na 30 uur bedrijf smeermiddel aan op het uiteinde van de aandrijfjas.(Fig. 59 )

## Onderhoud uitvoeren aan het luchtfilter

### Het luchtfilter reinigen

1. Verwijder het luchtfilterdeksel en verwijder het luchtfilter.(Fig. 60 )
2. Reinig het luchtfilter met een warm sopje van water en zeep. Zorg dat het luchtfilter droog is wanneer u dit aanbrengt.
3. Vervang het luchtfilter als het zo vuil is dat het niet meer volledig kan worden gereinigd. Vervang een beschadigd luchtfilter altijd.
4. Als uw product is uitgerust met een schuimluchtfilter, breng dan luchtfilterolie aan. Breng alleen luchtfilterolie aan op een schuimfilter. Breng geen olie aan op een viltfilter.

### Luchtfilterolie aanbrengen op het luchtfilter



**OPGELET:** Gebruik altijd speciale luchtfilterolie op schuimluchtfilters. Gebruik geen andere typen olie.



**WAARSCHUWING:** Zorg dat er geen olie op uw lichaam terecht komt.

1. Verwijder het luchtfilterdeksel en verwijder het luchtfilter.(Fig. 61 )
2. Doe het luchtfilter in een plastic zak.
3. Doe de luchtfilterolie in de plastic zak.(Fig. 62 )
4. Druk op de plastic zak, zodat de olie gelijkmatig over het luchtfilter wordt verdeeld.
5. Duw op het luchtfilter in de plastic zak, om de overtollige luchtfilterolie te verwijderen. Verwijder het luchtfilter uit de tas.
6. Breng het luchtfilter aan.

## Smeermiddel aanbrengen op de hoekoverbrenging

Zorg dat de hoekoverbrenging voor 3/4 gevuld is met smeermiddel.

(Fig. 63 )

## TECHNISCHE GEGEVENS

	een- heid	129C (A05328CCHV)	129L (A05328CSHV)	129LK (A05328CSHV)
<b>Motorspecificaties</b>				

Cilinderinhoud	cm <sup>3</sup>	27,6	27,6	27,6
Elektrodenafstand	mm	0,5	0,5	0,5
Inhoud brandstoftank	cm <sup>3</sup>	343	343	343
Stationair toerental	min <sup>-1</sup>	2800 - 3200	2800 - 3200	2800 - 3200
Maximaal vermogen bij toerental	min <sup>-1</sup>	8000	8000	8000
Uitgangsvermogen	kW	0,85	0,85	0,85
Bougie		Husqvarna HQT-4	Husqvarna HQT-4	Husqvarna HQT-4
Maximaal toerental uitgaande as	min <sup>-1</sup>	8500	7200	7200
<b>Geluids- en trillingsgegevens</b>				
Equivalent trillingsniveau (ahv, eq) linker handgreep - zie opmerking 1	m/s <sup>2</sup>	3,64	9,9	9,9
Equivalent trillingsniveau (ahv, eq) rechter handgreep - zie opmerking 1	m/s <sup>2</sup>	3,59	8,9	8,9
Geluidvermogensniveau, gegarandeerd (L <sub>WA</sub> ) - zie opmerking 2	dB(A)	114	114	114
Geluidvermogensniveau, gemeten - zie opmerking 2	dB(A)	106	105	106
Geluidsdrukniveau bij het oor van de gebruiker - zie opmerking 3	dB(A)	93	95	95
<b>Afmetingen product</b>				
Gewicht (exclusief snijuitrusting)	kg	4,61	5,21	5,98
<p><b>Opmerking 1:</b> De gerapporteerde gegevens voor een vergelijkbaar trillingsniveau vertonen een typische statistische spreiding (standaardafwijking) van 1 m/s<sup>2</sup>.</p> <p><b>Opmerking 2:</b> Geluidsemisatie naar de omgeving gemeten als geluidsvermogen (L<sub>WA</sub>) volgens EG-richtlijn 2000/14/EG. Het gerapporteerde geluidsvermogeniveau voor de machine is gemeten met de originele snijuitrusting die het hoogste niveau geeft. Het verschil tussen gegarandeerd en gemeten geluidsvermogen is dat het gegarandeerde geluidsvermogen ook spreiding in het meetresultaat omvat en de verschillen tussen de verschillende machines van hetzelfde model conform Richtlijn 2000/14/EG.</p> <p><b>Opmerking 3:</b> De gerapporteerde gegevens voor een vergelijkbaar geluidsdrukniveau voor de machine vertonen een typische statistische spreiding (standaardafwijking) van 1 dB(A).</p>				

## ACCESSOIRES

<b>129C</b>		
<b>Goedgekeurde accessoires</b>	<b>Type</b>	<b>Beschermkap voor snijuitrusting</b>
Schroefdraad as (3/8 R)		
Trimmerkop	T25 (Ø 2,0 - 2,4 mm)	580 44 66-10
<b>129L, 129LK</b>		
<b>Goedgekeurde accessoires</b>	<b>Type</b>	<b>Beschermkap voor snijuitrusting</b>

As met schroefdraad (M10L)		
Trimmerkop	T25 (Ø 2,0 - 2,4 mm)	580 44 66-06

Optionele accessoires	Type	Gebruik met
Veegaccessoire met steel	SR600	129LK
Heggenschaaraccessoire met steel	HA850	129LK
Kantensnijderhulpstuk met steel	EA850	129LK
Zaagaccessoire met steel	PA1100	129LK
Cultivatoraccessoire met steel	CA150	129LK
Grastrimmeraccessoire met steel	TA850	129LK
Zaagaccessoire met steel	PAX1100	129LK
Zaagaccessoire met steel	PAX730	129LK

## INHOUD VAN DE EG-VERKLARING VAN OVEREENSTEMMING

Wij, Husqvarna AB, SE 561 82 Huskvarna, ZWEDEN, verklaren onder onze alleenverantwoordelijkheid dat het gerepresenteerde product:

Toegepaste geharmoniseerde normen en/of technische specificaties zijn als volgt: EN ISO 12100, EN ISO 11806-1, CISPR 12, ISO 14982

Beschrijving	Grastrimmer / bosmaaier met benzinemotor
Merk	Husqvarna
Platform / Type / Model	Platform A05328CCHV, vertegenwoordigend model 129C  Platform A05328CSHV, vertegenwoordigende modellen 129L en 129LK
Partij	Serienummer vanaf 2013 en verder

In overeenstemming met richtlijn 2000/14/EG, bijlage V, staan de verklaarde geluidswaarden vermeld in de sectie met technische gegevens van deze handleiding en in de ondertekende EG-verklaring van overeenstemming.

TÜV Rheinland N.A. heeft een vrijwillig typeonderzoek uitgevoerd ten behoeve van Husqvarna AB, onder vermelding van Certificaat van overeenstemming met Machinerichtlijn 2006/42/EG van de Europese Raad.

Het certificaat, als vermeld op de ondertekende EG-verklaring van overeenstemming, is van toepassing op alle fabriekslocaties en landen van herkomst, zoals vermeld op het product.

De geleverde grastrimmer / bosmaaier met benzinemotor is conform het geteste exemplaar.

volledig voldoet aan de volgende EU-richtlijnen en -regelgeving:

Richtlijn/Verordening	Beschrijving
2006/42/EG	"betreffende machines"
2014/30/EU	"betreffende elektromagnetische compatibiliteit"
2000/14/EC	"betreffende geluid buitenshuis"

---

## Innehåll

---

INTRODUKTION.....	72	TEKNISKA DATA.....	79
SÄKERHET.....	73	TILLBEHÖR.....	80
MONTERING.....	76	INNEHÅLLET I EG-FÖRSÄKRAN OM	
ANVÄNDNING.....	76	ÖVERENSSTÄMMELSE.....	80
UNDERHÅLL.....	78	.....	0

---

## INTRODUKTION

---

### Bruksanvisning

Det ursprungliga språket i denna bruksanvisning är engelska. Bruksanvisningar på andra språk är översättningar från engelska.

### Översikt

(Fig. 1.)

1. Trimmerhuvud
2. Påfyllning av smörjmedel
3. Vinkelväxel
4. Trimmerhuvudets skydd
5. Riggör
6. Riggörskoppling
7. Loophandtag
8. Gasreglage
9. Stoppkontakt
10. Dödmansgrepp
11. Tändhatt, tändstift
12. Startapparatus
13. Startsnörets handtag
14. Bränsletank
15. Luftfilterlock
16. Bränslepump
17. Chokereglage
18. Medbringare
19. Bruksanvisning

### Symboler på produkten

(Fig. 2.) Varning

(Fig. 3.) Läs den här bruksanvisningen.

(Fig. 4.) Använd godkänt huvudskydd.

(Fig. 5.) Använd godkända hörselskydd.

(Fig. 6.) Använd godkänt ögonskydd.

(Fig. 7.) Använd godkända skyddshandskar.

(Fig. 8.) Använd skyddsskor/-stövlar.

(Fig. 9.) Produkten kan orsaka att föremål skjuts ut, vilket kan orsaka skador på ögonen.

(Fig. 10.) Produkten kan orsaka att föremål skjuts ut, vilket kan orsaka skador på ögonen.

(Fig. 11.) Maximal hastighet på utgående axel.

(Fig. 12.) Säkerhetsavstånd

(Fig. 13.) Använd endast en godkänd trimmerlina. Använd inte en klinga.

(Fig. 14.) Använd inte skärutrustning gjord av metall.

(Fig. 15.) Se till att långt hår sätts upp ovanför axlarna.

(Fig. 16.) Pilarna visar gränserna för handtagets position.

(Fig. 17.) Ljudeffektnivå.

(Fig. 18.) Ljudnivå

(Fig. 19.) Produkten överensstämmer med gällande EG-direktiv.

(Fig. 20.) Produkten överensstämmer med gällande EAC-direktiv.

(Fig. 21.) Produkten överensstämmer med gällande ukrainska direktiv.

---

**Notera:** Övriga symboler/dekaler på produkten avser specifika krav för certifieringar på andra kommersiella marknader.

---

### Produktansvar

Enligt lagstiftningen för produktansvar ansvarar vi inte för skador som vår produkt orsakar om:

- produkten repareras felaktigt.



- produkten repareras med delar som inte kommer från tillverkaren eller inte har godkänts av tillverkaren.
- produkten har ett tillbehör som inte kommer från tillverkaren eller inte har godkänts av tillverkaren.
- produkten inte repareras vid ett godkänt servicecenter eller av en godkänd person.

---

## SÄKERHET

---

### Säkerhetsdefinitioner

Definitionerna nedan beskriver allvarlighetsgraden för varje signalord.



**VARNING:** Personskador.



**OBSERVERA:** Skador på produkten.

**Notera:** Denna information gör produkten lättare att använda.

### Allmänna säkerhetsanvisningar

- Använd produkten på rätt sätt. Skador eller dödsfall är ett möjligt resultat av felaktig användning. Använd endast produkten för arbetsuppgifterna som finns i denna bruksanvisning. Använd inte produkten till andra uppgifter.
- Följ instruktionerna i denna bruksanvisning. Följ säkerhetssymbolerna och säkerhetsinstruktionerna. Om användaren inte följer instruktionerna och symbolerna är skador eller dödsfall ett möjligt resultat.
- Spara den här bruksanvisningen. Använd instruktionerna för att sätta ihop, använda och förvara din produkt i gott skick. Använd instruktionerna för korrekt installation av tillbehör och extrautrustning. Använd endast godkända tillbehör och extrautrustning.
- Använd inte en skadad produkt. Följ underhållsschemat. Utför endast det underhållsarbete som du hittar instruktioner om i den här bruksanvisningen. Godkända servicecenter måste göra allt annat underhållsarbete.
- Den här bruksanvisningen kan inte inkludera alla situationer som kan uppstå när du använder produkten. Var försiktig och använd sunt förnuft. Använd inte produkten eller utför underhåll på produkten om du inte är trygg med situationen. Tala med en produktextpert, din återförsäljare, din serviceverkstad eller ett godkänt servicecenter för att få information.
- Koppla ur tändstiftskabeln innan du monterar produkten, ställer undan produkten för förvaring eller utför underhåll.
- Använd inte produkten om den ändras från dess första specifikation. Byt inte ut en del av produkten utan tillverkarens godkännande. Använd endast reservdelar som godkänts av tillverkaren. Skador eller dödsfall är ett möjligt resultat av felaktigt underhåll.
- Undvik att andas in rök från motorn. Långvarig inandning av motorns avgaser utgör en hälsorisk.
- Starta inte produkten inomhus eller nära brandfarligt material. Avgaserna är heta och kan medföra gnistor som kan orsaka brand. Otilräckligt luftflöde kan orsaka skador eller dödsfall på grund av kvävning eller kolmonoxidförgiftning.
- När du använder denna produkt skapar motorn ett elektromagnetiskt fält. Det elektromagnetiska fältet kan orsaka skador på medicinska implantat. Tala med din läkare och tillverkaren av eventuella medicinska implantat innan du använder produkten.
- Låt inte barn använda produkten. Låt inte personer utan kännedom om instruktionerna använda produkten.
- Se till att du alltid övervakar en person med nedsatt fysisk eller mental kapacitet som använder produkten. En vuxen person måste vara närvarande hela tiden.
- Läs in produkten på en plats där barn och obehöriga personer inte har åtkomst.
- Produkten kan skjutas ut förämål och orsaka skador. Följ säkerhetsinstruktionerna för att minska risken för personskador eller dödsfall.
- Lämna inte produkten när motorn är på.
- Användaren av produkten är ansvarig om en olycka inträffar.
- Kontrollera att delarna inte är skadade innan du använder produkten.
- Se till att du står minst 15 m från andra personer eller djur innan du använder produkten. Se till att personer i närheten vet att du kommer att använda produkten.
- Följ nationella eller lokala lagar. De kan förhindra eller minska produktens funktion under vissa förhållanden.
- Använd inte produkten om du är trött eller om du är påverkad av alkohol, droger eller läkemedel. Din syn, ditt omdöme eller kroppskontroll kan ha påverkats.

### Säkerhetsinstruktioner för drift

- Kontrollera att produkten är helt monterad innan du använder den.

- Innan du startar bör du flytta produkten 3 m från den plats där du fyllde på bränsletanken. Placera produkten på en plan yta. Se till att skärutrustningen inte vidrör marken eller andra föremål.
- Produkten kan orsaka att föremål skjuts ut, vilket kan orsaka skador på ögonen. Använd alltid godkänt ögonskydd när du använder produkten.
- Var försiktig, ett barn kan närma sig produkten utan din vetskap under användningen.
- Använd inte produkten om det finns personer i arbetsområdet. Stoppa produkten om en person går in i arbetsområdet.
- Se till att du alltid har kontroll över produkten.
- Använd inte produkten om du inte kan få hjälp om en olycka inträffar. Se alltid till att andra vet att du kommer att använda produkten innan du börjar använda produkten.
- Vänd dig inte om med produkten innan du kontrollerat att inga människor eller djur finns i säkerhetsområdet.
- Ta bort allt oönskat material från arbetsområdet innan du börjar. Om skärutrustningen träffar ett objekt kan objektet skjutas ut och orsaka personskada eller skador. Oönskat material kan lindas runt skärutrustningen och orsaka skador.
- Använd inte produkten i dåligt väder (dimma, regn, hård vind, risk för blixtnedslag eller andra väderförhållanden). Farliga situationer (t.ex. hala ytor) kan uppstå på grund av dåligt väder.
- Se till att du kan röra dig fritt och arbeta i en stabil position.

(Fig. 22.)

- Se till att du inte kan falla när du använder produkten. Luta dig inte när du använder produkten.
- Håll alltid produkten med båda händerna. Håll produkten på höger sida av kroppen.

(Fig. 23.)

- Använda produkten med skärutrustningen under midjehöjd.
- Om chokereglaget är i chokeläge när motorn startar börjar skärutrustningen rotera.
- Rör inte vid vinkelväxeln när motorn stannat. Vinkelväxeln är varm efter det att motorn stannat. Heta ytor kan orsaka skador.
- Stanna motorn innan du flyttar produkten.
- Lägg inte ned produkten om motorn är på.
- Innan du tar bort oönskat material från produkten måste du stänga av motorn och vänta tills skärutrustningen stannar. Låt skärutrustningen stanna innan du avlägsnar skärmaterialet.

## Personlig skyddsutrustning

- Använd alltid rätt personlig skyddsutrustning när du använder produkten. Den personliga skyddsutrustningen eliminerar inte risken för skador. Den personliga skyddsutrustningen minskar skadans allvarlighetsgrad om en olycka inträffar.

- Använd alltid godkänt ögonskydd när du använder produkten.
- Använd inte produkten barfota eller med öppna skor. Använd alltid kraftiga halksäkra kängor.
- Använd tjockare långbyxor.
- Om det är nödvändigt bör du använda godkända skyddshandskar.
- Använd hjälm om det finns en risk att föremål faller ned på huvudet.
- Använd alltid godkänt hörselskydd när du använder produkten. Oljud under en längre period kan leda till bullerorsakad hörselnedsättning.
- Se till att du har första hjälpen i närheten.

## Säkerhetsanordningar på produkten

- Se till att du regelbundet utför underhåll på produkten.
  - Produktens livslängd ökar.
  - Risken för olyckor minskar.

Låt en auktoriserad återförsäljare eller ett godkänt servicecenter regelbundet undersöka produkten för att göra justeringar eller reparationer.

- Använd inte en produkt med skadad skyddsutrustning. Om produkten är skadad bör du tala med ett godkänt servicecenter.

## Dödmansgrepp

Gasreglagets låsning låser gasreglaget. (Fig. 24.)

Tryck på gasreglagets låsning (A) för att lossa gasreglaget (B). När du släpper handtaget går gasreglagets låsning och gasreglaget tillbaka till sina ursprungslägen.

1. Se till att gasreglaget (B) är låst på tomgång när du släpper gasreglagets låsning (A).
2. Tryck på gasreglagets låsning (A) och kontrollera att den går tillbaka till sitt ursprungliga läge när du släpper den.
3. Tryck på gasreglaget (B) och kontrollera att det går tillbaka till sitt ursprungliga läge när du släpper det.

Starta motorn och ge sedan fullgas. Släpp gasreglaget och titta om skärutrustningen stannar. Om skärutrustningen roterar med gasreglaget i tomgångsläge undersöker du tomgångsjusterskraven på förgasaren.

## Stoppkontakt

Starta motorn. Kontrollera att motorn stängs av när stoppreglaget flyttas till stoppläget.

(Fig. 25.)

## Trimmerhuvudets skydd

Skärutrustningens skydd förhindrar att lösa föremål skjuts ut mot användaren.

(Fig. 26.)

Undersök om skärutrustningens skydd är skadat och byt ut det om så är fallet. Använd endast godkänt skydd för skärutrustningen.

## Ljuddämpare

- Använd inte en motor med defekt ljuddämpare. En defekt ljuddämpare ökar ljudnivån och brandrisken. Ha en brandsläckare i närheten.
- Kontrollera regelbundet att ljuddämparen sitter fast på produkten.
- Rör inte motorn eller ljuddämparen när motorn är på. Rör inte motorn eller ljuddämparen förrän en stund efter att motorn stannat. Heta ytor kan orsaka skador.
- En varm ljuddämpare kan orsaka brand. Var försiktig om du använder produkten nära brandfarliga vätskor eller ångor.
- Rör inte ljuddämparens delar om ljuddämparen är skadad. Delarna kan innehålla vissa cancerframkallande kemikalier.

## Skärutrustning

- Utför regelbundet underhåll. Låt ett godkänt servicecenter regelbundet undersöka skärutrustningen för att göra justeringar eller reparationer.
  - Skärutrustningens prestanda ökar.
  - Skärutrustningens livslängd ökar.
  - Risken för olyckor minskar.
- Använd endast ett godkänt skydd till skärutrustningen. Mer information finns i *TEKNISKA DATA på sida 79*.
- Använd inte en skadad skärutrustning.

## Grästrimmerhuvud

- Se till att du drar åt grästrimmerlinan hårt och jämnt runt trumman för att minska vibrationerna.
- Använd endast godkända grästrimmerhuvuden och grästrimmerlinor. Se *TEKNISKA DATA på sida 79*.
- Använd rätt längd på grästrimmerlinan. En lång grästrimmerlina förbrukar mer motoreffekt än en kort grästrimmerlina.
- Se till att kniven på skärutrustningens skydd inte är skadad.
- Blötlägg grästrimmerlinan i vatten i 2 dygn innan du sätter fast grästrimmerlinan på produkten. Detta ökar grästrimmerlinans livslängd.

## Bränslesäkerhet

- Starta inte produkten om det finns bränsle eller motorolja på produkten. Ta bort det oönskade

bränslet/oljan och låt produkten torka. Ta bort oönskat bränsle från produkten.

- Om du spillt bränsle på kläderna skall dessa bytas omedelbart.
- Se till att inte få bränsle på kroppen, det kan orsaka personskador. Om du får bränsle på kroppen använder du tvål och vatten för att ta bort bränslet.
- Starta inte motorn om du spiller olja eller bränsle på produkten eller på kroppen.
- Starta inte produkten om motorn har en läcka. Undersök regelbundet om motorn läcker.
- Var försiktig med bränsle. Bränsle är brandfarligt och ångorna är explosiva och kan orsaka skador eller dödsfall.
- Undvik att andas in bränsleångor då det kan orsaka personskador. Se till att det finns tillräckligt luftflöde.
- Rök inte i närheten av bränslet eller motorn.
- Placera inga varma föremål i närheten av bränslet eller motorn.
- Fyll inte på bränsle när motorn är på.
- Se till att motorn har svalnat innan du fyller på bränsle.
- Innan du fyller på bränsle bör du öppna bränsletanklocket långsamt och försiktigt släppa på trycket.
- Fyll inte på bränsle i motorn inomhus. Otillräckligt luftflöde kan orsaka skador eller dödsfall på grund av kvävning eller kolmonoxidförgiftning.
- Dra åt tanklocket försiktigt, annars kan brand uppstå.
- Flytta produkten minst 3 m från den plats där du fyllde på tanken innan du startar den.
- Fyll inte på med för mycket bränsle i bränsletanken.
- Kontrollera att läckage inte kan uppstå när du flyttar produkten eller bränslebehållaren.
- Placera inte produkten eller bränslebehållaren där det finns öppen eld, gnistor eller tändlagor. Se till att det inte finns någon öppen eld i förvaringsutrymmet.
- Använd endast godkända behållare när du flyttar bränslet eller ställer undan bränslet för förvaring.
- Töm bränsletanken före långtidsförvaring. Följ lokala lagar om var du kan kasta bränsle.
- Rengör produkten före långtidsförvaring.
- Ta bort tändstiftskabeln innan du ställer undan produkten för förvaring så att motorn inte oavsiktligt startar.

## Säkerhetsinstruktioner för underhåll

- Om du inte kan justera tomgångsvarvtalet så att skärutrustningen stannar bör du tala med ditt servicecenter. Använd inte produkten förrän den är korrekt inställd eller reparerad.

## MONTERING



**VARNING:** Läs säkerhetskapitlet innan du monterar produkten.

### Så sätter du fast loophandtaget

1. Sätt fast loophandtaget på riggröret enligt bilden och dra åt.(Fig. 27. )
2. Se till att loophandtaget fäster mellan pilarna på riggröret.

### Så monterar du det tvådelade riggröret

1. Vrid vredet för att lossa riggrörskopplingen.(Fig. 28. )
2. Justera fliken på riggröret (A) mot pilen på riggrörskopplingen (B).(Fig. 29. )
3. Skjut in riggröret i riggrörskopplingen tills riggröret fäster.(Fig. 30. )
4. Se till att du drar åt vredet innan du använder produkten.(Fig. 31. )

### Så demonterar du det tvådelade riggröret

1. Vrid vredet för att lossa riggrörskopplingen.(Fig. 32. )
2. Tryck på och håll inne knappen (C).(Fig. 33. ) Håll i motorns ände och dra ut riggröret ur riggrörskopplingen.

### Så monterar du skärutrustningen

#### Så sätter du fast skärutrustningsskyddet och trimmerhuvudet (rakt riggrör)

1. Fäst skärutrustningens skydd (A) på riggröret med skruven (L).(Fig. 34. ) Se till att använda rätt skärutrustningsskydd och rätt trimmerhuvud.
2. Fäst medbringarhjulet (B) på den utgående axeln.
3. Vrid den utgående axeln tills hålet i medbringarhjulet är mitt för hålet i växelhuset.
4. Placera en liten skruvmejsel (C) i hålet för att låsa riggröret.(Fig. 35. )
5. Vrid trimmerhuvudet (H) moturs för att dra åt trimmerhuvudet på växellådan. (Vänstergängad.) (Fig. 36. )

#### Så sätter du fast skärutrustningsskyddet och trimmerhuvudet (böjt riggrör)

1. Sätt fast skyddet.(Fig. 37. ) Dra åt muttern.
2. Sätt fast dammkoppen på axeln.(Fig. 38. )
3. Håll fast dammkoppen med en justerbar skiftnyckel för att se till att riggröret inte vrider sig.
4. Sätt fast trimmerhuvudet på riggröret. Vrid trimmerhuvudet medurs.

## ANVÄNDNING



**VARNING:** Läs och förstå säkerhetskapitlet innan du använder produkten.

### Bränsle

#### Så använder du bränsle



**OBSERVERA:** Denna produkt har en tvåtaktsmotor. Använd en blandning av bensin och tvåtaktsmotorolja. Se till att använda rätt mängd olja i blandningen. Ett felaktigt blandningsförhållande av bensin och olja kan skada motorn.

### Bensin



**OBSERVERA:** Använd inte bensin med ett oktantal lägre än 90 RON (87 AKI). Det kan orsaka skador på produkten.



**OBSERVERA:** Använd inte bensin med mer än 10 % etanol (E10). Det kan orsaka skador på produkten.

- Använd alltid ny blyfri bensin med ett oktantal på minst 90 RON (87 AKI) och med mindre än 10 % etanol (E10).
- Använd bensin med ett högre oktantal om du ofta använder produkten vid kontinuerligt högt motorvarvtal.

#### Tvåtaktsmotorolja

- Använd endast tvåtaktsmotorolja av hög kvalitet. Använd endast luftkyld motorolja.
- Använd inga andra typer av olja.
- Blandningsförhållande 50:1 (2 %)

Bensin	Olja
3,79 liter	77 ml
4,55 liter	95 ml
5 l	100 ml

## Så gör du bränsleblandningen

**Notera:** Använd alltid en ren bränslebehållare när du blandar bränslet.

**Notera:** Blanda inte mer bränsleblandning än för 30 dagar.

1. Tillsätt hälften av bensinen.
2. Tillsätt all olja.
3. Skaka bränsleblandningen så att innehållet blandas.
4. Tillsätt resten av bensinen.
5. Skaka bränsleblandningen så att innehållet blandas.
6. Fyll bränsletanken.

## Så tillsätter du bränsle

- Använd alltid en bränslebehållare med spillskydd.
- Om det kommer bränsle på behållaren tar du bort det oönskade bränslet och låter behållaren torka.
- Se till att området i närheten av bränsletanklocket är rent.
- Skaka bränslebehållaren innan du tillsätter bränsleblandningen i bränsletanken.

## Så startar och stoppar du

### Innan du startar motorn

- Genomsök produkten efter saknade, skadade, lösa eller slitna delar.
- Undersök muttrar, skruvar och bultar.
- Undersök luftfiltret.
- Undersök gasreglaget och om gasreglaget fungerar korrekt.
- Undersök om stoppreglaget fungerar korrekt.
- Genomsök produkten efter bränsleläckor.
- Undersök om sägkedjan är skärpt och spänd.

### Så startar du en kall motor

1. Tryck på bränsleblåsan 10 gånger.(Fig. 39. )
2. Dra chokereglaget uppåt.(Fig. 40. )
3. Håll motorkroppen på marken med vänster hand.(Fig. 41. ) Kliv inte på produkten. Dra i startsnörets handtag långsamt tills du känner ett motstånd. Dra sedan startsnörets handtag med mer kraft.

**Notera:** Dra inte i gasreglaget när du startar motorn.

4. Fortsätt dra i startsnörets handtag tills motorn startar eller försöker starta (max. tre drag). Om motorn startar eller försöker att starta trycker du ned chokereglaget. Fortsätt dra tills motorn startar. Vänta 60 sekunder efter start innan du drar i gasreglaget.



**OBSERVERA:** Dra inte i startsnöret förrän det tar stopp. Släpp inte startsnöret när det är fullt utdraget. Släpp

långsamt startsnöret. Underlåtenhet att följa dessa instruktioner kan orsaka skada på motorn.

## Så startar du en varm motor

1. Tryck på bränsleblåsan 10 gånger.
2. Dra i startsnöret tills motorn startar.

## Stoppa

- Tryck ned stoppreglaget för att stoppa motorn.(Fig. 42. )

**Notera:** Stoppreglaget återgår automatiskt till ursprungsläget.

## Så använder du grästrimmern



**OBSERVERA:** Se till att du bromsar ner motorn till tomgångsvarvtal efter varje användning. En längre period med fullgas utan belastning på motorn kan orsaka motorskada.

**Notera:** Rengör skyddet till trimmerhuvudet när du sätter fast en ny trimmerlina för att förhindra vibrationer. Undersök andra delar av trimmerhuvudet och rengör om det behövs.

## Klippa gräset

1. Håll trimmerhuvudet strax ovanför marken och luta det.(Fig. 43. ) Tryck inte ned grästrimmerlinan i gräset.
2. Minska längden på grästrimmerlinan med 10-12 cm och bromsa ned motorns varvtal för att minska risken för skador på växter.
3. Använd 80 % gas när du klipper gräset nära föremål.(Fig. 44. )

## Klippa gräset

1. Se till att grästrimmerlinan är parallell med marken när du klipper.(Fig. 45. )
2. Tryck inte ned trimmerhuvudet mot marken. Marken och produkten kan skadas.
3. Låt inte trimmerhuvudet vidröra marken oavbrutet, det kan orsaka skador på trimmerhuvudet.
4. Använd fullgas när du flyttar produkten från sida till sida för att klippa gräset.(Fig. 46. ) Se till att grästrimmerlinan är parallell med marken.

## Så byter du trimmerlinan

- (Fig. 47. )  
(Fig. 48. )  
(Fig. 49. )  
(Fig. 50. )  
(Fig. 51. )  
(Fig. 52. )

## UNDERHÅLL



**VARNING:** Läs och förstå säkerhetskapitlet innan du rengör, reparerar eller utför underhåll på produkten.

### Underhållsschema

Se till att du följer underhållsschemat. Intervallen beräknas utifrån daglig användning av produkten. Intervallen är annorlunda om du inte använder produkten varje dag. Utför endast det underhållsarbete som finns i den här bruksanvisningen. Tala med ett godkänt servicecenter om andra underhållsarbeten som inte finns i den här bruksanvisningen.

#### Underhåll varje vecka

- Rengör utvändiga ytor.
- Undersök tomgångsvarvtalet.
- Undersök vinkelväxelns fett (rakt riggrör).

#### Underhåll varje månad

- Undersök startsnörets handtag och startsnöret.

#### Årligt underhåll

- Undersök tändstiftet.
- Applicera fett på drivaxelns ände (tvådelat riggrör).
- Rengör utvändiga ytor på förgasaren och dess angränsande områden.
- Rengör kylsystemet.
- Undersök gnistskyddet.
- Undersök bränslefiltret.
- Undersök bränsleslangen avseende skador.
- Undersök alla kablar och anslutningar.

#### Underhåll efter 50 timmar

- Låt ett godkänt servicecenter reparera eller byta ut ljuddämparen.

### Så justerar du tomgångsvarvtalet

- Se till att luftfiltret är rent och att luftfilterkåpan sitter fast innan du justerar tomgångsvarvtalet.
  - Justera tomgångsvarvtalet med justerskruven T som är märkt med "T".
  - Tomgångsvarvtalet är korrekt när motorn arbetar jämnt i alla positioner. Tomgångsvarvtalet ska vara lägre än det varvtal då skärutrustningen börjar rotera.
1. Vrid tomgångsjusterskruven medurs tills skärutrustningen börjar rotera.(Fig. 55. )
  2. Vrid tomgångsjusterskruven moturs tills skärutrustningen stannar.

### Så utför du underhåll på gnistskyddet

Använd en stålborste för att rengöra gnistskyddet.

(Fig. 56. )

### Så rengör du kylsystemet

Rengör kylsystemets delar med en borste.

(Fig. 57. )

### Så undersöker du tändstiftet



**OBSERVERA:** Använd det rekommenderade tändstiftet. Se till att det nya är likadant som tillverkarens del. Ett felaktigt tändstift kan skada produkten.

1. Undersök tändstiftet när:
  - a) motorn har låg effekt,
  - b) motorn inte startar på en gång,
  - c) motorn inte fungerar korrekt på tomgång.
2. Om motorn inte startar eller fungerar som den ska bör du genomsöka tändstiftet efter oönskat material. Om du vill minska risken för oönskat material på tändstiftets elektroder:
  - a) Se till att tomgångsvarvtalet är korrekt justerat.
  - b) Se till att bränsleblandningen är korrekt.
  - c) Se till att luftfiltret är rent.
3. Rengör tändstiftet om det är smutsigt. Kontrollera att elektrodståndet är korrekt.(Fig. 58. )
4. Byt ut tändstiftet om det är nödvändigt.

### Så applicerar du fett på ett tvådelat riggrör

- Applicera fett på drivaxelns ände efter var 30:e driftimme.(Fig. 59. )

### Så utför du underhåll på luftfiltret

#### Rengöring av luftfiltret

1. Tag bort luftfilterkåpan och luftfiltret.(Fig. 60. )
2. Rengör luftfiltret med hjälp av varmt tvålatten. Se till att luftfiltret är torrt innan du installerar det.
3. Byt ut luftfiltret om det är för smutsigt för att rengöra helt. Byt alltid ut ett skadat luftfilter.
4. Om din produkt har ett skumluftfilter tillsätter du luftfilterolja. Applicera endast luftfilterolja på ett skumfilter. Använd inte olja på ett filter av filt.

#### Så applicerar du luftfilterolja på luftfiltret



**OBSERVERA:** Använd alltid speciell luftfilterolja på skumluftfilter. Använd inga andra typer av olja.



**VARNING:** Se till att inte få olja på kroppen.

1. Tag bort luftfilterkåpan och luftfiltret.(Fig. 61. )
2. Lägga luftfiltret i en plastpåse.
3. Tillsätt luftfilteroljan i plastpåsen.(Fig. 62. )
4. Tryck på plastpåsen för att se till att oljan fördelas jämnt på luftfiltret.

5. Tryck på luftfiltret i påsen för att ta bort överflödiga luftfilterolja. Ta ut luftfiltret ur påsen.
6. Montera luftfiltret.

## Så tillsätter du fett i vinkelväxeln

Kontrollera att vinkelväxeln är fylld till 3/4 med vinkelväxelfett.

(Fig. 63. )

## TEKNISKA DATA

	enhet	129C (A05328CCHV)	129L (A05328CSHV)	129LK (A05328CSHV)
<b>Motorspecifikationer</b>				
Cylindervolym	cm <sup>3</sup>	27,6	27,6	27,6
Elektroddgap	mm	0,5	0,5	0,5
Bränsletankvolym	cm <sup>3</sup>	343	343	343
Tomgångsvarvtal	min <sup>-1</sup>	2 800 - 3 200	2 800 - 3 200	2 800 - 3 200
Maximal effekt	min <sup>-1</sup>	8 000	8 000	8 000
Uteffekt	kW	0,85	0,85	0,85
Tändstift		Husqvarna HQT-4	Husqvarna HQT-4	Husqvarna HQT-4
Maximal rotation för utgående axel	min <sup>-1</sup>	8500	7 200	7 200
<b>Buller- och vibrationsdata</b>				
Ekvivalent vibrationsnivå (ahv, ekv.) vänster handtag - se anm. 1	m/s <sup>2</sup>	3,64	9,9	9,9
Ekvivalent vibrationsnivå (ahv, ekv.) höger handtag - se anm. 1	m/s <sup>2</sup>	3,59	8,9	8,9
Ljudeffektnivå, garanterad (L <sub>WA</sub> ) - se anm. 2	dB (A)	114	114	114
Ljudeffektnivå, uppmätt - se anm. 2	dB (A)	106	105	106
Ljudtrycksnivå vid användarens öra - se anm. 3	dB (A)	93	95	95
<b>Produktens mått</b>				
Vikt (exklusive skärutrustning)	kg	4,61	5,21	5,98

**Anm. 1:** Rapporterade data för ekvivalent vibrationsnivå har en typisk statistisk spridning (standardavvikelse) på 1 m/s<sup>2</sup>.

**Anm. 2:** Emission av buller till omgivningen uppmätt som ljudeffekt (L<sub>WA</sub>) enligt EU-direktiv 2000/14/EU. Rapporterad ljudeffektnivå för maskinen har uppmätts med den originalsäkrutrustning som ger den högsta nivån. Skillnaden mellan garanterad och uppmätt ljudeffekt är att den garanterade ljudeffekten också inkluderar spridning i mätresultatet och variationen mellan olika maskiner av samma modell enligt direktiv 2000/14/EC.

**Anm. 3:** Rapporterade data för ekvivalent ljudtrycksnivå för maskinen har en typisk statistisk spridning (standardavvikelse) på 1 dB (A).

## TILLBEHÖR

129C		
Godkända tillbehör	Typ	Trimmerhuvudets skydd
Gångat riggrör (3/8 R)		
Trimmerhuvud	T25 (Ø 2,0 - 2,4 mm)	580 44 66-10
129L, 129LK		
Godkända tillbehör	Typ	Trimmerhuvudets skydd
Gångat riggrör (M10L)		
Trimmerhuvud	T25 (Ø 2,0 - 2,4 mm)	580 44 66-06

Valfria tillbehör	Typ	Används till
Borsttillsats med riggrör	SR600	129LK
Häcksaxtillsats med riggrör	HA850	129LK
Kantskärtillsats med riggrör	EA850	129LK
Sågtillsats med riggrör	PA1100	129LK
Kultivatortillsats med riggrör	CA150	129LK
Grästrimmertillsats med riggrör	TA850	129LK
Sågtillsats med riggrör	PAX1100	129LK
Sågtillsats med riggrör	PAX730	129LK

## INNEHÅLLET I EG-FÖRSÄKRAN OM ÖVERENSSTÄMMELSE

Husqvarna AB, SE-561 82 Huskvarna, SVERIGE, försäkrar härmed på eget ansvar att den företrädda produkten:

Beskrivning	Bensindriven grästrimmer/buskröjare
Varumärke	Husqvarna



Beskrivning	Bensindriven grästrimmer/buskröjare
Plattform/typ/modell	Plattform EN05328CCHV, representerar modell 129C  Plattform EN05328CSHV, representerar modellerna 129L och 129LK
Parti	Serienummer daterade 2013 och framåt

uppfyller alla krav i följande EU-direktiv och förordningar:

Direktiv/förordning	Beskrivning
2006/42/EG	"angående maskiner"
2014/30/EU	"angående elektromagnetisk kompatibilitet"
2000/14/EG	"angående buller utomhus"

Harmoniserade standarder och/eller tekniska specifikationer som tillämpas är följande: EN ISO 12100, EN ISO 11806-1, CISPR 12, ISO 14982

I enlighet med direktiv 2000/14/EG, bilaga V finns ljudvärdena angivna i avsnittet tekniska data i denna handbok och i den undertecknade EU-försäkran om överensstämmelse.

TÜV Rheinland N.A. har utfört en frivillig kontroll åt Husqvarna AB – Certifikat om överensstämmelse med Rådets direktiv 2006/42/EG om maskiner.

Certifikatet, som levereras med en undertecknad EU-försäkran om överensstämmelse, är tillämpligt på alla tillverkningsplatser och ursprungsländer, såsom anges på produkten.

Den levererade bensindrivna grästrimmern/buskröjaren överensstämmer med det exemplar som genomgick kontrollen.

---

# INNHold

---

INNLEDNING.....	82	TEKNISKE DATA.....	89
SIKKERHET.....	83	TILBEHØR.....	90
MONTERING.....	86	INNHoldET I EF-SAMSVARERKLÆRINGEN.....	90
DRIFT.....	86	.....	0
VEDLIKEHOLD.....	88		

---

## INNLEDNING

---

### Bruksanvisning

Det originale språket i denne bruksanvisningen er engelsk. Bruksanvisninger på andre språk er oversettelser fra engelsk.

### Oversikt

(Fig. 1 )

1. Trimmerhode
2. Påfyllingslokk for smøremiddel
3. Vinkelgir
4. Vern for skjæreutstyr
5. Riggør
6. Riggørkopling
7. Løkkehåndtak
8. Gassregulator
9. Stoppbryter
10. Gassregulatorsperre
11. Tennpluggette, tennplugg
12. Startmotorhus
13. Håndtak på startsnoren
14. Brennstofftank
15. Luftfilterlokk
16. Brennstoffpumpe
17. Chokeregulator
18. Medbringer
19. Brukerhåndbok

### Symboler på produktet

(Fig. 2 ) Advarsel

(Fig. 3 ) Les denne bruksanvisningen.

(Fig. 4 ) Bruk godkjent hodebeskyttelse.

(Fig. 5 ) Bruk godkjent hørselsvern.

(Fig. 6 ) Bruk godkjent øyevern.

(Fig. 7 ) Bruk godkjente vernehansker.

(Fig. 8 ) Bruk vernesko/-støvler.

(Fig. 9 ) Produktet kan kaste ut objekter, noe som kan føre til skader på øynene.

(Fig. 10 ) Produktet kan kaste ut objekter, noe som kan føre til skader på øynene.

(Fig. 11 ) Maks. hastighet for den utgående akselen.

(Fig. 12 ) Sikkerhetsavstand

(Fig. 13 ) Bruk bare godkjent trimmertråd. Ikke bruk et blad.

(Fig. 14 ) Ikke bruk skjæreutstyr laget av metall.

(Fig. 15 ) Sørg for at langt hår settes opp over skuldrene.

(Fig. 16 ) Pilene viser grensene for plasseringen av håndtaket.

(Fig. 17 ) Lydeffektnivå.

(Fig. 18 ) Støynivå

(Fig. 19 ) Dette produktet samsvarer med gjeldende EF-direktiver.

(Fig. 20 ) Dette produktet samsvarer med gjeldende EAC-direktiver.

(Fig. 21 ) Dette produktet samsvarer med gjeldende ukrainske direktiver.

---

**Merk:** Øvrige symboler/klistremerker angitt på produktet gjelder sertifiseringskrav for andre markeder.

---

### Produktansvar

Som nevnt i lovverket om produktansvar er vi ikke ansvarlig for skader som produktet vårt forårsaker, hvis

- produktet er reparert på feil måte

- produktet er reparert med deler som ikke kommer fra produsenten eller som ikke er godkjent av produsenten
- produktet har et tilbehør som ikke kommer fra produsenten eller som ikke er godkjent av produsenten.
- produktet ikke er reparert på et godkjent servicesenter eller av en godkjent aktør

---

## SIKKERHET

---

### Sikkerhetsdefinisjoner

Definisjonene nedenfor angir alvorlighetsgraden for hvert signalford.



**ADVARSEL:** Skade på personer.



**OBS:** Skade på produktet.

**Merk:** Denne informasjonen gjør produktet lettere å bruke.

### Generelle sikkerhetsinstruksjoner

- Bruk produktet riktig. Personskade eller død er mulige konsekvenser av feil bruk. Produktet må kun brukes til oppgaver angitt i denne bruksanvisningen. Ikke bruk produktet til andre oppgaver.
- Følg instruksjonene i denne bruksanvisningen. Følg symbolene og sikkerhetsinstruksjonene. Personskade, materiell skade eller død er mulige konsekvenser hvis brukeren ikke følger instruksene og symbolene.
- Ikke kast denne bruksanvisningen. Bruk instruksjonene for å montere, bruke og holde produktet i god stand. Følg instruksjonene for riktig montering av tilbehør og tilleggsutstyr. Bruk bare godkjent tilbehør og tilleggsutstyr.
- Ikke bruk et skadet produkt. Følg vedlikeholdsskjemaet. Utfør bare vedlikehold som du finner instruksjoner om i denne bruksanvisningen. Et godkjent servicesenter må gjøre alt annet vedlikeholdsarbeid.
- Denne bruksanvisningen kan ikke dekke alle situasjoner som kan oppstå når du bruker produktet. Vær forsiktig, og bruk sunn fornuft. Ikke bruk produktet eller utfør vedlikehold av produktet hvis du ikke føler deg trygg i situasjonen. Snakk med en produktexpert, forhandleren, serviceverkstedet eller et godkjent servicesenter for mer informasjon.
- Koble fra tennpluggkabelen før du monterer produktet, setter produktet til oppbevaring eller utfører vedlikehold.
- Ikke bruk produktet hvis det er endret fra den opprinnelige spesifikasjonen. Ikke bytt en del av produktet uten godkjenning fra produsenten. Bruk

bare reservedeler som er godkjent av produsenten. Personskade eller død er mulige konsekvenser av feil vedlikehold.

- Ikke pust inn avgassene fra motoren. Langvarig innånding av motorens avgasser utgjør en helseisiko.
- Ikke start produktet innendørs eller i nærheten av brennbare materialer. Eksosen er varm og kan inneholde gnister som kan starte en brann. En utilstrekkelig luftstrøm kan føre til personskade eller død på grunn av kveling eller karbonmonoksidforgiftning.
- Motoren genererer et elektromagnetisk felt når du bruker dette produktet. Det elektromagnetiske feltet kan føre til skader på medisinske implantater. Snakk med legen din og produsenten av det medisinske implantatet før du bruker produktet.
- Ikke la barn bruke produktet. Ikke la en person bruke produktet uten kunnskap om instruksjonene.
- Sørg for at du alltid overvåker personer med redusert fysisk eller mental kapasitet når de bruker produktet. En ansvarlig voksen må alltid være til stede.
- Lås inn produktet et sted som barn og uautoriserte personer ikke har tilgang til.
- Produktet kan kaste ut løse gjenstander og forårsake personskade. Følg instruksjonene for å redusere faren for personskade eller død.
- Ikke forlat produktet når motoren er på.
- Brukeren av produktet er ansvarlig hvis det skjer en ulykke.
- Pass på at delene ikke er skadet, før du bruker produktet.
- Kontroller at du er minst 15 m unna andre personer eller dyr, før du bruker produktet. Pass på at personer i nærheten vet at du kommer til å bruke produktet.
- Se nasjonale eller lokale lover. De kan forby eller begrense bruken av produktet under enkelte forhold.
- Ikke bruk produktet hvis du er tretthet eller påvirket av alkohol, andre rusmidler eller legemidler. Dette kan påvirke syn, oppmerksomhet, koordinasjon eller vurderingsevne.

### Sikkerhetsinstruksjoner for drift

- Kontroller at produktet er ferdig montert før du bruker det.
- Flytt produktet 3 m unna stedet der du fylte drivstofftanken før du starter det. Plasser produktet

på et flatt underlag. Pass på at skjæreutstyret ikke berører bakken eller andre gjenstander.

- Produktet kan kaste ut objekter, noe som kan føre til skader på øynene. Bruk alltid et godkjent øyevern når du bruker produktet.
- Vær forsiktig, et barn kan komme nær produktet under drift uten at du er klar over det.
- Bruk ikke produktet dersom det finnes andre personer i arbeidsområdet. Slå av produktet hvis en person går inn i arbeidsområdet.
- Pass på at du alltid har kontroll over produktet.
- Ikke bruk produktet hvis du ikke kan motta hjelp hvis det skjer en ulykke. Før du begynner å bruke produktet, må du alltid sørge for at andre vet at du skal bruke det.
- Ikke snu deg med produktet før du forsikrer deg om at ingen personer eller dyr er innenfor sikkerhetsområdet.
- Fjern alt uønsket materiale fra arbeidsområdet før du begynner. Hvis skjæreutstyret treffer et objekt, kan objektet bli kastet ut og forårsake personskade eller materiell skade. Uønsket materiale kan tvinne seg rundt skjæreutstyret og forårsake skade.
- Ikke bruk produktet i dårlig vær (tåke, regn, sterk vind, ved fare for lyn eller annet uvær). Farlige forhold (for eksempel glatte overflater) kan oppstå på grunn av dårlig vær.
- Sørg for at du kan bevege deg fritt og arbeide i en stabil stilling.

(Fig. 22)

- Pass på at du ikke risikerer å falle når du bruker produktet. Ikke len deg til siden når du bruker produktet.
- Hold alltid produktet med to hender. Hold produktet på høyre side av kroppen.

(Fig. 23)

- Bruk produktet med skjæreutstyret under hofte høyde.
- Hvis chokehendelen står i choke-stilling når motoren starter, begynner skjæreutstyret å rotere.
- Ikke berør vinkelgiret rett etter at motoren har stoppet. Vinkelgiret er varmt etter at motoren har stoppet. Varme områder kan forårsake skader.
- Stopp motoren før du flytter produktet.
- Ikke legg produktet ned mens motoren er på.
- Før du fjerner uønsket materiale fra produktet, må du stoppe motoren og vente til skjæreutstyret stoppes. Vent til skjæreutstyret stopper før du eller andre fjerner avklipt materiale.

## Personlig verneutstyr

- Bruk alltid egnet personlig verneutstyr når du bruker produktet. Det personlige verneutstyret fjerner ikke risikoen for skader. Det personlige verneutstyret reduserer skadeomfanget hvis det skjer en ulykke.
- Bruk alltid et godkjent øyevern når du bruker produktet.

- Ikke bruk produktet uten sko eller med åpne sko. Bruk alltid kraftige sklisikre støvler.
- Bruk tykke langbukser.
- Bruk godkjente vernehansker hvis det er nødvendig.
- Bruk hjelm hvis det er mulig at du får objekter i hodet.
- Bruk alltid godkjent hørselsvern når du bruker produktet. Støy over en lang periode kan forårsake støyrelatert hørselsskade.
- Sørg for at du har et førstehjelpssett i nærheten.

## Beskyttelsesutstyr på produktet

- Pass på at du regelmessig utfører vedlikehold av produktet.
  - Levetiden til produktet øker.
  - Risikoen for ulykker reduseres.

La en godkjent forhandler eller et godkjent servicesenter undersøke produktet regelmessig for å gjøre justeringer eller reparasjoner.

- Ikke bruk et produkt med skadet verneutstyr. Hvis produktet er skadet, må du kontakte et godkjent servicesenter.

## Gassregulatorsperre

Gassregulatorsperren låser gassregulatoren.

(Fig. 24)

Skyv på gassregulatorsperren (A) for å løse gassregulatoren (B). Når du slipper håndtaket, vil både gassregulatorsperren og gassregulatoren gå tilbake til utgangsstillingene sine.

1. Kontroller at gassregulatoren (B) er låst på tomgang når du slipper gassregulatorsperren (A).
2. Skyv gassregulatorsperren (A), og kontroller at den går tilbake til utgangsstillingen når du slipper den.
3. Skyv gassregulatoren (B), og kontroller at den går tilbake til utgangsstillingen når du slipper den.

Start motoren, og gi deretter full gass. Slipp gassregulatoren, og undersøk om skjæreutstyret stanser. Hvis skjæreutstyret roterer når gassregulatoren står i tomgangsstilling, må du undersøke justeringsskruen på forgasseren.

## Stoppbryter

Start motoren. Forsikre deg om at motoren stopper når du flytter stoppbryteren til stoppstillingen.

(Fig. 25)

## Vern for skjæreutstyr

Beskyttelsesskjermen for skjæreutstyret hindrer at løse objekter kastes ut mot brukeren.

(Fig. 26)

Kontroller beskyttelsesskjermen for skjæreutstyret for skade, og skift den hvis den er skadet. Bruk bare godkjent beskyttelsesskjerm for skjæreutstyr.

## Lyddemper

- Ikke bruk en motor med defekt lyddemper. En defekt lyddemper øker lydnivået og brannfaren. Ha et brannslukningsapparat i nærheten.
- Kontroller regelmessig at lyddemperen er koblet til produktet.
- Ikke berør motoren eller lyddemperen når motoren er på. Ikke berør motoren eller lyddemperen på en stund etter at motoren har stoppet. Varme overflater kan forårsake personskade.
- En varm lyddemper kan forårsake brann. Vær forsiktig hvis du bruker produktet i nærheten av brennbare vesker eller damp.
- Ikke berør delene i lyddemperen hvis lyddemperen er skadet. Delene kan inneholde noen kreftframkallende kjemikalier.

## Skjæreutstyr

- Utfør regelmessig vedlikehold. La et godkjent servicesenter undersøke skjæreutstyret regelmessig for å gjøre justeringer eller reparasjoner.
  - Ytelsen til skjæreutstyret øker.
  - Levetiden til skjæreutstyret øker.
  - Risikoen for ulykker reduseres.
- Bruk bare godkjent beskyttelsesskjerm for skjæreutstyr. Du finner mer informasjon under *TEKNISKE DATA på side 89*.
- Ikke bruk skadet skjæreutstyr.

## Gresstrimmerhode

- Pass på at du tvinner gresstrimmertråden stramt og jevnt rundt trommelen for å redusere vibrasjon.
- Bruk bare godkjente gresstrimmerhoder og gresstrimmertråder. Se *TEKNISKE DATA på side 89*.
- Bruk riktig lengde på gresstrimmertråden. En lang gresstrimmertråd bruker mer motorkraft enn et kort gresstrimmertråd.
- Pass på at kapperen på beskyttelsesskjermen for skjæreutstyret ikke er skadet.
- Bløtlegg gresstrimmertråden i vann i to dager før du fester gresstrimmertråden til produktet. Dette øker levetiden til gresstrimmertråden.

## Brennstoffsikkerhet

- Ikke start produktet hvis det er drivstoff eller motorolje på produktet. Fjern uønsket drivstoff/olje, og la produktet tørke. Fjern uønsket drivstoff fra produktet.
- Skift klær umiddelbart hvis du søler drivstoff på klærne.

- Ikke få drivstoff på kroppen, det kan føre til personskade. Bruk såpe og vann for å fjerne drivstoff hvis du får drivstoff på kroppen.
- Ikke start motoren hvis du søler olje eller drivstoff på produktet eller på kroppen din.
- Ikke start produktet hvis motoren lekker. Kontroller motoren for lekkasjer med jevne mellomrom.
- Vær forsiktig med drivstoff. Drivstoff er brannfarlig, og avgassene er eksplosive og kan forårsake personskade eller død.
- Ikke pust inn bensindamp, det kan føre til personskade. Pass på at det er tilstrekkelig luftstrøm.
- Du må ikke røyke i nærheten av drivstoff eller motoren.
- Ikke sett varme gjenstander i nærheten av drivstoff eller motoren.
- Ikke fyll på drivstoff når motoren er på.
- Kontroller at motoren er avkjølt før du fyller på drivstoff.
- Åpne tanklokket sakte og slipp ut trykket forsiktig før du fyller.
- Ikke fyll drivstoff på motoren innendørs. Ustilrekkelig luftstrøm kan føre til personskade eller død på grunn av kveling eller karbonmonoksidforgiftning.
- Trekk til lokket på drivstofftanken forsiktig. Brann kan oppstå hvis du ikke gjør dette.
- Flytt produktet minst 3 m fra stedet du fylte tanken før du starter det.
- Ikke fyll for mye drivstoff på tanken.
- Kontroller at det ikke oppstår lekkasjer når du flytter produktet eller bensinkannen.
- Ikke plasser produktet eller en drivstoffbeholder i nærheten av åpen flamme, gnister eller pilotflamme. Pass på at det ikke er åpen flamme i oppbevaringsområdet.
- Bruk bare godkjente beholdere når du flytter drivstoff eller setter drivstoff til oppbevaring.
- Tøm drivstofftanken for lengre tids oppbevaring. Følg lokale lover om hvor du kan kassere drivstoff.
- Rengjør produktet for lengre tids oppbevaring.
- Fjern tennpluggkabelen før du setter produktet til oppbevaring for å sikre at motoren ikke starter ved et uhell.

## Sikkerhetsinstruksjoner for vedlikehold

- Hvis du ikke kan justere tomgangsturtallet slik at skjæreutstyret stopper, må du kontakte servicesenteret ditt. Ikke bruk produktet før det er riktig justert eller reparert.

---

# MONTERING

---



**ADVARSEL:** Les kapittelet om sikkerhet før du monterer produktet.

## Feste loophåndtaket

1. Fest loophåndtaket til riggrøret i samsvar med illustrasjonen, og trekk til.(Fig. 27 )
2. Kontroller at loophåndtaket er festet mellom pilmarkeringene på riggrøret.

## Montere det todelte riggrøret

1. Skru på knappen for å løse riggrørkoblingen.(Fig. 28 )
2. Juster knasten på riggrøret (A) etter pilen på riggrørkoblingen (B).(Fig. 29 )
3. Skyv riggrøret inn på riggrørkoblingen til det festes.(Fig. 30 )
4. Pass på at du trekker til knappen før du bruker produktet.(Fig. 31 )

## Demontere det todelte riggrøret

1. Skru på knappen for å løse riggrørkoblingen.(Fig. 32 )
2. Trykk ned og hold nede knappen (C).(Fig. 33 ) Hold i motorenden og trekk riggrøret ut av riggrørkoblingen.

## Montere skjærestyret

### Feste beskyttelsesskjermen for skjærestyret og trimmerhodet (rett riggrør)

1. Fest beskyttelsesskjermen for skjærestyret (A) på riggrøret med bolten (L).(Fig. 34 ) Kontroller at du

bruker riktig beskyttelsesskjerm for skjærestyr og riktig trimmerhode.

2. Fest medbringerhjulet (B) på den utgående akselen.
3. Vri den utgående akselen rundt til hullet i medbringerhjulet stemmer overens med hullet i girhuset.
4. Før en liten skrutrekker (C) inn i hullet for å låse riggrøret.(Fig. 35 )
5. Skru trimmerhodet (H) mot urviseren for å skru trimmerhodet på gir-kassen. (Venstre gjenger.)(Fig. 36 )

### Feste beskyttelsesskjermen for skjærestyret og trimmerhode (bøyd riggrør)

1. Fest beskyttelsesskjermen.(Fig. 37 ) Trekk til mutteren.
2. Fest støvkoppen på akselen.(Fig. 38 )
3. Hold støvkoppen med en skiffenøkkel for å forsikre deg om at riggrøret ikke roterer.
4. Fest trimmerhodet på riggrøret. Drei trimmerhodet med urviseren.

---

# DRIFT

---



**ADVARSEL:** Les og forstå kapittelet om sikkerhet før du bruker produktet.

## Drivstoff

### Bruke drivstoff



**OBS:** Dette produktet har en totaktsmotor. Bruk en blanding av bensin og totaktsmotorolje. Pass på å bruke riktig mengde olje i blandingen. Feil forhold mellom bensin og olje kan føre til skade på motoren.

### Bensin



**OBS:** Ikke bruk bensin med et oktantal som er mindre enn 90 RON (87 AKI). Dette kan skade produktet.



**OBS:** Ikke bruk bensin med mer enn 10 % etanolkonsentrasjon (E10). Dette kan skade produktet.

- Bruk alltid ny blyfri bensin med et minste oktantal på 90 RON (87 AKI) og med mindre enn 10 % etanolkonsentrasjon (E10).
- Bruk bensin med høyere oktantal hvis du ofte bruker produktet ved kontinuerlig høyt motorturtall.

## Totaktsmotorolje

- Bruk bare totaktsmotorolje av høy kvalitet. Bruk bare en luftkjølt motorolje.
- Ikke bruk andre typer olje.
- Blandingsforhold 50:1 (2 %)

Bensin	Olje
1 US gallon	77 ml
1 UK gallon	95 ml
5 l	100 ml

## Blande drivstoffet

**Merk:** Bruk alltid en ren drivstoffbeholder når du blander drivstoffet.

**Merk:** Ikke lag drivstoffblanding for mer enn 30 dager.

1. Tilsett halvparten av bensinen.
2. Tilsett all oljen.
3. Rist drivstoffblandingen for å blande innholdet.
4. Fyll på resten av bensinen.
5. Rist drivstoffblandingen for å blande innholdet.
6. Fyll drivstofftanken.

## Fulle drivstoff

- Bruk alltid en drivstoffbeholder med overflyingsbeskyttelse.
- Hvis det er drivstoffrester i beholderen, må du fjerne uønsket drivstoff og la kannen tørke.
- Pass på at området i nærheten av lokket på drivstofftanken er rent.
- Rist drivstoffbeholderen før du fyller drivstoff på tanken.

## Starte og stoppe

### Før du starter motoren

- Undersøk om produktet har manglende, skadde, løse eller slitte deler.
- Undersøk mutrene, skruene og boltene.
- Kontroller luftfilteret.
- Kontroller at gassregulatorsperren og gassregulatoren fungerer som de skal.
- Undersøk om stoppbryteren fungerer som den skal.
- Kontroller produktet etter drivstofflekkasjer.
- Kontroller sagkjedets skarphet og stramming.

### Starte en kald motor

1. Trykk på primeren 10 ganger.(Fig. 39 )
2. Trekk chokehendelen opp.(Fig. 40 )

3. Hold produktet på bakken med venstre hånd.(Fig. 41 ) Ikke trakk på produktet. Trekk sakte i startsnoren til du kjenner litt motstand. Trekk deretter hardt i startsnoren.

**Merk:** Ikke trekk i gassregulatoren mens du starter motoren.

4. Fortsett å trekke i startsnoren til motoren starter eller prøver å starte (maks. tre trekk). Hvis motoren starter eller prøver å starte, trykker du chokehendelen ned. Fortsett å trekke til motoren starter. Vent 60 sekunder etter start før du trekker i gassregulatoren.



**OBS:** Du må ikke trekke i startsnoren før den stopper. Ikke slipp startsnoren når den er helt ute. Slipp startsnoren langsomt. Hvis du ikke følger disse instruksjonene, kan det føre til skade på motoren.

## Starte en varm motor

1. Trykk på primeren 10 ganger.
2. Trekk i startsnoren til motoren starter.

## Stoppe

- Trykk på stoppbryteren for å stoppe motoren.(Fig. 42 )

**Merk:** Stoppbryteren går automatisk tilbake til utgangstillingen.

## Betjene gresstrimmeren



**OBS:** Pass på at du setter motoren sakte ned til tomgangsturtall etter hver bruk. En lang periode med full gass uten belastning på motoren kan føre til skade på motoren.

**Merk:** Rengjør dekselet på trimmerhodet når du fester ny trimmertråd for å hindre vibrasjoner. Undersøk de andre delene av skjærehodet, og rengjør dem hvis det er nødvendig.

## Trimme gress

1. Hold trimmerhodet like over bakken, og vipp det lett. (Fig. 43 ) Ikke skyv gresstrimmertråden inn i gresset.
2. Reduser lengden på gresstrimmertråden med 10–12 cm, og reduser motorturtallet for å redusere faren for skade på planter.
3. Bruk 80 % gass når du klipper gresset i nærheten av objekter.(Fig. 44 )

## Klippe gresset

1. Kontroller at gresstrimmertråden er parallelt med bakken når du klipper.(Fig. 45 )

2. Ikke dytt trimmerhodet ned i bakken. Bakken og produktet kan bli skadet. (Fig. 48)
3. Ikke la trimmerhodet berøre bakken kontinuerlig, det kan føre til skade på trimmerhodet. (Fig. 49)
4. Bruk full gass når du beveger produktet fra side til side for å klippe gress. (Fig. 46 ) Kontroller at gresstrimmertråden er parallelt med bakken. (Fig. 50)

(Fig. 48 )  
(Fig. 49 )  
(Fig. 50 )  
(Fig. 51 )  
(Fig. 52 )  
(Fig. 53 )  
(Fig. 54 )

## Skifte trimmertråd

(Fig. 47 )

---

# VEDLIKEHOLD

---



**ADVARSEL:** Les og forstå kapittelet om sikkerhet før du rengjør, reparerer eller utfører likehold på produktet.

## Vedlikeholdsskjema

Kontroller at du følger vedlikeholdsskjemaet. Intervallene er beregnet med utgangspunkt i daglig bruk av produktet. Intervallene er annerledes hvis du ikke bruker produktet hver dag. Utfør bare vedlikehold som du finner i denne bruksanvisningen. Snakk med et godkjent servicesenter om annet vedlikehold som ikke finnes i denne bruksanvisningen.

### Ukentlig ettersyn

- Rengjør de utvendige flatene.
- Kontroller tomgangsturtallet.
- Kontroller fett på vinkelgiret (rett riggrør).

### Månedlig ettersyn

- Undersøk startsnoren og håndtaket på startsnoren.

### Årlig vedlikehold

- Kontroller tennpluggen.
- Påfør fett på enden av drivakselen (todelt riggrør).
- Rengjør de utvendige flatene på forgassen og tilstøtende områder.
- Rengjør kjølesystemet.
- Kontroller gnistfangerskjermen.
- Kontroller drivstoffilteret.
- Se etter skade på drivstoffslangen.
- Undersøk alle kabler og forbindelser.

### Vedlikehold etter 50 timer

- Få et godkjent servicesenter til å reparere eller skifte ut lydemperen.

## Justere tomgangsturtallet

- Kontroller at luftfilteret er rent og at luftfilterlokket er festet før du justerer tomgangsturtallet.
- Juster tomgangsturtallet med tomgangsskruen, som er merket med «T».

- Tomgangsturtallet er korrekt når motoren går jevnt i alle stillinger. Tomgangsturtallet må være lavere enn hastigheten når skjæreutstyret begynner å rotere.

1. Vri tomgangsskruen med urviseren til skjæreutstyret begynner å rotere. (Fig. 55 )
2. Vri tomgangsskruen mot urviseren til skjæreutstyret stanser.

## Utføre vedlikehold av gnistfangerskjermen

Bruk en stålborste for å rengjøre gnistfangerskjermen. (Fig. 56 )

## Rengjøre kjølesystemet

Rengjør delene til kjølesystemet med en børste.

(Fig. 57 )

## Kontrollere tennpluggen



**OBS:** Bruk anbefalt tennplugg. Pass på at den nye delen er av samme type som delen produsenten leverte. Feil tennplugg kan føre til skade på produktet.

1. Kontroller tennpluggen når
  - a) motoren har liten kraft
  - b) motoren ikke er lett å starte
  - c) motoren ikke fungerer korrekt på tomgang
2. Se etter uønsket materiale på tennpluggen hvis motoren ikke er lett å starte og betjene. Redusere risikoen for uønsket materiale på tennpluggenes elektroder:
  - a) Pass på at tomgangsturtallet er riktig justert.
  - b) Pass på at drivstoffblandingen er riktig.
  - c) Kontroller at luftfilteret er rent.
3. Rengjør tennpluggen hvis den er skitten. Kontroller at elektrodeavstanden er riktig. (Fig. 58 )
4. Skift tennpluggen når det er nødvendig.



## Påføre fett på det todelte riggrøret

- Påfør fett på enden av drivakselen etter hver 30. driftstime.(Fig. 59 )

## Utføre vedlikehold av luftfilteret

### Rengjøre luftfilteret

1. Ta av luftfilterdekselet og fjern luftfilteret.(Fig. 60 )
2. Rengjør luftfilteret med varmt såpevann. Sørg for at luftfilteret er tørt før du monterer det.
3. Skift luftfilteret hvis det er for skittent til å rengjøres ordentlig. Bytt alltid ut skadet luftfilter.
4. Påfør luftfilterolje hvis produktet har et luftfilter i skum. Påfør luftfilterolje bare på et skumfilter. Ikke påfør olje på et filtfilter.

### Påføre luftfilterolje på luftfilteret



**OBS:** Bruk alltid spesiell luftfilterolje på luftfiltre i skum. Ikke bruk andre typer olje.



**ADVARSEL:** Ikke få olje på kroppen din.

1. Ta av luftfilterdekselet og fjern luftfilteret.(Fig. 61 )
2. Putt luftfilteret i en plastpose.
3. Putt luftfilteroljen i plastposen.(Fig. 62 )
4. Dytt på plastposen for å sikre at oljen er likt fordelt over luftfilteret.
5. Trykk på luftfilteret, mens det er i posen, for å fjerne overflødig luftfilterolje. Fjern luftfilteret fra posen.
6. Monter luftfilteret.

### Påføre fett på vinkelgiret

Kontroller at vinkelgiret er 3/4 fullt med vinkelgirfett.

(Fig. 63 )

## TEKNISKE DATA

	enhet	129C (A05328CCHV)	129L (A05328CSHV)	129LK (A05328CSHV)
<b>Motorspesifikasjoner</b>				
Sylindervolum	cm <sup>3</sup>	27,6	27,6	27,6
Elektrodeavstand	mm	0,5	0,5	0,5
Drivstofftankvolum	cm <sup>3</sup>	343	343	343
Tomgangshastighet	min <sup>-1</sup>	2800–3200	2800–3200	2800–3200
Maksimalt turtall	min <sup>-1</sup>	8000	8000	8000
Avgitt effekt	kW	0,85	0,85	0,85
Tennplugg		Husqvarna HQT-4	Husqvarna HQT-4	Husqvarna HQT-4
Maksimal utgående akselrotasjon	min <sup>-1</sup>	8500	7200	7200
<b>Støy- og vibrasjonsdata</b>				
Ekvivalent vibrasjonsnivå (ahv, eq), venstre håndtak – se merknad 1	m/s <sup>2</sup>	3,64	9,9	9,9
Ekvivalent vibrasjonsnivå (ahv, eq), høyre håndtak – se merknad 1	m/s <sup>2</sup>	3,59	8,9	8,9
Lydeffektnivå, garantert (L <sub>WA</sub> ) – se merknad 2	dB(A)	114	114	114
Lydeffektnivå, målt – se merknad 2	dB(A)	106	105	106
Lydtrykksnivå ved operatørens øre – se merknad 3	dB(A)	93	95	95

<b>Produktmål</b>				
Vekt (uten skjæreutstyr)	kg	4,61	5,21	5,98
<b>Anm. 1:</b> Rapporterte data for ekvivalent vibrasjonsnivå har en typisk statistisk spredning (standardavvik) på 1 m/s <sup>2</sup> .				
<b>Merknad 2:</b> Utslipp av støy til omgivelsene målt som lydeffekt (L <sub>WA</sub> ) samsvarer med EF-direktiv 2000/14/EF. Rapporterte lydeffektnivåer for maskinen er målt med det originale skjæreutstyret som gir høyest nivå. Forskjellen mellom garantert og målt lydeffekt er at garantert lydeffekt også omfatter spredning i måleresultatet og variasjoner mellom forskjellige maskiner av samme modell, i henhold til direktivet 2000/14/EF.				
<b>Merknad 3:</b> Rapporterte data for ekvivalent lydtryksnivå for maskinen har en typisk statistisk spredning (standard avvik) på 1 dB(A).				

## TILBEHØR

<b>129C</b>		
<b>Godkjent tilbehør</b>	<b>Type</b>	<b>Vern for skjæreutstyr</b>
Riggrør med aksel (3/8 R)		
Trimmerhode	T25 (Ø 2,0–2,4 mm)	580 44 66-10
<b>129L, 129LK</b>		
<b>Godkjent tilbehør</b>	<b>Type</b>	<b>Vern for skjæreutstyr</b>
Gjenget riggrør (M10L)		
Trimmerhode	T25 (Ø 2,0–2,4 mm)	580 44 66-06

<b>Valgfritt tilbehør</b>	<b>Type</b>	<b>Brukes til</b>
Oppsamlersett med riggrør	SR600	129LK
Hekksakssett med riggrør	HA850	129LK
Kantskjærersett med riggrør	EA850	129LK
Sagsett med riggrør	PA1100	129LK
Kultivatorsett med riggrør	CA150	129LK
Gresstrimmersett med riggrør	TA850	129LK
Sagsett med riggrør	PAX1100	129LK
Sagsett med riggrør	PAX730	129LK

## INNHALDET I EF-SAMSVARERKLÆRINGEN

Vi, Husqvarna AB, SE 561 82 Huskvarna, SVERIGE, erklærer under eneansvar at dette produktet:

Beskrivelse	Bensindrevet gresstrimmer/ryddesag
Merke	Husqvarna
Plattform/type/modell	Plattform A05328CCHV, som representerer modellen 129C  Plattform A05328CSHV, som representerer modellene 129L og 129LK
Parti	Serienummer datert 2013 og senere

fullstendig overholder følgende EU-direktiver og -forskrifter:

Direktiv/regulering	Beskrivelse
2006/42/EF	«angående maskiner»
2014/30/EU	«angående elektromagnetisk kompatibilitet»
2000/14/EF	«angående utendørsstøy»

Harmoniserte standarder og/eller tekniske spesifikasjoner anvendt er som følger: EN ISO 12100, EN ISO 11806-1, CISPR 12, ISO 14982

I samsvar med direktivet 2000/14/EF, tillegg V står de oppgitte lydverdiene oppført i kapittelet om tekniske data i denne håndboken og i den signerte EF-samsvarserklæringen.

TÜV Rheinland N.A. har utført en frivillig typekontroll på vegne av Husqvarna AB, som bekrefter at en utstyrstype er i overensstemmelse med EF-direktiv 2006/42/EF om maskiner.

Sertifikatet, som følger med den signerte EF-samsvarserklæringen, gjelder for alle produksjonssteder og opprinnelsesland, slik det står oppgitt på produktet.

Medfølgende bensindrevet gresstrimmer/ryddesag er i samsvar med det eksemplaret som undergikk undersøkelsen.

---

## Indhold

---

INDLEDNING.....	92	TEKNISKE DATA.....	99
SIKKERHED.....	93	TILBEHØR.....	100
MONTERING.....	96	INDHOLD I EF- OVERENSSTEMMELSESERKLÆRING.....	101
DRIFT.....	96	.....	0
VEDLIGEHOLDELSE.....	98		

---

## INDLEDNING

---

### Brugervejledning

Det oprindelige sprog i denne brugervejledning er engelsk. Brugervejledninger på andre sprog er oversættelser fra engelsk.

### Oversigt

(Fig. 1 )

1. Trimmerhoved
2. Påfyldningsdæksel til smøremiddel
3. Vinkelgear
4. Beskyttelse til skæreudstyr
5. Aksel
6. Styrestangskobling
7. Loophåndtag
8. Gasregulering
9. Stopkontakt
10. Gasreguleringslås
11. Tændhætte, tændrør
12. Starterhus
13. Startrebets håndgreb
14. Brændstoftank
15. Luftfilterlås
16. Spædepumpe
17. Chokerhåndtag
18. Medbringerhjul
19. Brugsanvisning

### Symboler på produktet

- (Fig. 2 ) Advarsel
- (Fig. 3 ) Læs denne vejledning.
- (Fig. 4 ) Brug godkendt sikkerhedshjelm.
- (Fig. 5 ) Brug godkendt høreværn.
- (Fig. 6 ) Brug godkendt øjenværn.
- (Fig. 7 ) Brug godkendte beskyttelseshandsker.
- (Fig. 8 ) Brug beskyttelsessko/støvler.

(Fig. 9 ) Produktet kan forårsage, at genstande slynges ud, hvilket kan forårsage skader på øjnene

(Fig. 10 ) Produktet kan forårsage, at genstande slynges ud, hvilket kan forårsage skader på øjnene

(Fig. 11 ) Maks. hastighed på udgående aksel.

(Fig. 12 ) Sikker afstand

(Fig. 13 ) Brug kun en godkendt trimmertråd. Brug ikke en klinge.

(Fig. 14 ) Brug ikke skæreudstyr fremstillet af metal.

(Fig. 15 ) Sørg for, at langt hår sættes op, så det er over skuldrene.

(Fig. 16 ) Pilene viser grænserne for håndtagets position.

(Fig. 17 ) Lydeffektniveau.

(Fig. 18 ) Støjniveau

(Fig. 19 ) Produktet er i overensstemmelse med gældende EF-direktiver.

(Fig. 20 ) Produktet er i overensstemmelse med gældende EAC-direktiver.

(Fig. 21 ) Produktet er i overensstemmelse med gældende ukrainske direktiver.

---

**Bemærk:** Andre symboler/mærkater på produktet henviser til certificeringskrav i andre handelsområder.

---

## Produktansvar

Som nævnt i produktansvarsbestemmelserne hæfter vi ikke for skader forårsaget af vores produkt, hvis:

- produktet er forkert repareret
- produktet er repareret med dele, der ikke er fra producenten eller ikke er godkendt af producenten

- produktet har tilhør, der ikke er fra producenten eller ikke er godkendt af producenten.
- produktet ikke er repareret på et godkendt servicecenter eller af en godkendt myndighed.

---

## SIKKERHED

---

### Sikkerhedsdefinitioner

Definitionerne nedenfor angiver alvorligheden for hvert enkelt signalord.



**ADVARSEL:** Skade på personer.



**BEMÆRK:** Beskadigelse af produktet.

**Bemærk:** Disse oplysninger gør det lettere at bruge produktet.

### Generelle sikkerhedsinstruktioner

- Brug produktet korrekt. Forkert brug kan medføre personskader eller dødsfald. Brug kun produktet til de opgaver, der angives i denne vejledning. Brug ikke produktet til andre opgaver.
- Følg instruktionerne i denne vejledning. Overhold sikkerhedssymboler og sikkerhedsinstruktioner. Hvis operatøren ikke følger vejledningen og symbolerne, kan det medføre personskader, beskadigelse eller dødsfald.
- Smid ikke denne vejledning ud. Brug vejledningen til at samle, betjene og vedligeholde dit produkt. Brug vejledningen til korrekt montering af udstyr og tilbehør. Brug kun godkendt udstyr og tilbehør.
- Brug ikke et beskadiget produkt. Overhold vedligeholdelsesskemaet. Udfør kun det vedligeholdelsesarbejde, du kan finde vejledning til i denne vejledning. Et godkendt servicecenter skal udføre alt andet vedligeholdelsesarbejde.
- Denne vejledning beskriver ikke alle situationer, der kan opstå, når du bruger produktet. Vær forsigtig og brug din sundt fornuft. Du må ikke bruge produktet eller foretage vedligeholdelse på produktet, hvis du ikke er sikker på, hvad du skal gøre. Snak med en produkt ekspert, forhandler, serviceværksted eller godkendt servicecenter for at få mere at vide.
- Fjern kablet fra trænderet, før du samler produktet, sætter produktet til opbevaring eller foretager vedligeholdelse.
- Brug ikke produktet, hvis det er blevet ændret fra den oprindelige specifikation. Du må ikke ændre dele af produktet uden producentens godkendelse. Brug kun reservedele, der er godkendt af producenten. Forkert vedligeholdelse kan medføre personskader eller dødsfald.
- Indånd ikke dampe fra motoren. Langvarig indånding af motorens udstødningsgasser er sundhedsskadelig.
- Start ikke produktet indendørs eller i nærheden af brandfarligt materiale. Udstødningsgasserne er varme og kan indeholde gnister, der kan starte en brand. Utilstrækkelig med luftstrøm kan forårsage personskader eller dødsfald på grund af kvælning eller kulilte.
- Motoren danner et elektromagnetisk felt, når du bruger dette produkt. Det elektromagnetiske felt kan beskadige medicinske implantater. Tal med din læge og producenten af det medicinske implantat, før du betjener produktet.
- Lad ikke børn betjene produktet. Lad ikke en person uden kendskab til vejledningen betjene produktet.
- Sørg for at overvåge personer med nedsat fysisk eller mental kapacitet, der bruger produktet. En voksen skal være til stede hele tiden.
- Læs produktet inde i områder, hvor børn og uautoriserede personer ikke kan få adgang.
- Produktet kan slynge genstande ud og forårsage skader. Overhold sikkerhedsinstruktionerne for at mindske risikoen for personskader eller dødsfald.
- Du må ikke gå væk fra produktet, når motoren er tændt.
- Brugeren af produktet er ansvarlig, hvis der sker et uheld.
- Sørg for, at delene ikke er beskadigede, før du bruger produktet.
- Sørg for, at du som minimum er 15 m væk fra andre personer eller dyr, før du bruger produktet. Sørg for, at personer i det tilstødende område ved, at du bruger produktet.
- Se nationale eller lokale love. Visse love kan forhindre eller mindske brugen af produktet under nogle forhold.
- Brug ikke produktet, hvis du er træt eller påvirket af alkohol, narkotika eller medicin. Det kan påvirke dit syn, din opmærksomhed, din koordination eller din dømmekraft.

## Sikkerhedsinstruktioner for drift

- Sørg for, at produktet er helt samlet, før du bruger det.
- Før du begynder, skal du flytte produkter 3 m væk fra den position, hvor du påfyldte brændstoffranken. Anbring produktet på en plan overflade. Sørg for, at skæreudstyret ikke rører jorden eller andre objekter.
- Produktet kan forårsage, at genstande slynges ud, hvilket kan forårsage skader på øjnene. Anvend altid godkendt øjenværn, når du betjener produktet.
- Vær opmærksom på, at børn kan komme i nærheden af produktet, uden at du ved det, når du betjener produktet.
- Betjen ikke produktet, hvis der er personer i arbejdsområdet. Stop produktet, hvis en person går ind i arbejdsområdet.
- Sørg for, at du altid har kontrol over produktet.
- Brug ikke produktet, hvis du ikke kan få hjælp i tilfælde af en ulykke. Sørg altid for, at andre ved, at du betjener produktet, før du begynder at bruge det.
- Drej ikke med produktet, før du sikrer dig, at ingen mennesker eller dyr er i sikkerhedsområdet.
- Fjern alle uønskede materialer fra arbejdsområdet, før du går i gang. Hvis skæreudstyret rammer en genstand, kan genstanden slynges af sted og forårsage skader. Uønsket materiale kan vikle sig rundt om skæreudstyret og forårsage skader.
- Brug ikke produktet i dårligt vejr (tåge, regn, hård vind, risiko for lynnedslag eller andre vejrforhold). Farlige situationer (f.eks. glatte overflader) kan forekomme på grund af dårligt vejr.
- Sørg for, at du kan bevæge sig frit og arbejde i en stabil stilling

(Fig. 22)

- Sørg for, at du ikke kan falde, når du bruger produktet. Stå ikke skråt, når du bruger produktet.
- Hold altid produktet med to hænder. Hold produktet på højre side af kroppen.

(Fig. 23)

- Betjen produktet med skæreudstyret under bæltestedet.
- Hvis chokerhåndtaget er i chokerpositionen, når motoren starter, begynder skæreudstyret at dreje.
- Rør ikke vinkelgearet, når motoren stopper. Vinkelgearet er varmt, når motoren stopper. Varme områder kan forårsage skader.
- Stop motoren, før du flytter produktet.
- Sæt ikke produktet ned, mens motoren er tændt.
- Før du fjerner uønsket materiale fra produktet, skal du stoppe motoren og vente, indtil skæreudstyret standser. Sørg for, at skæreudstyret er stoppet, før du eller en hjælper fjerner det afskårne materiale.

## Personligt beskyttelsesudstyr

- Brug altid korrekt personligt beskyttelsesudstyr, når du bruger produktet. Personligt beskyttelsesudstyr fjerner ikke risikoen for skader. Personligt

beskyttelsesudstyr mindsker eventuelle skader, hvis der sker et uheld.

- Anvend altid godkendt øjenværn, når du betjener produktet.
- Du må ikke betjene produktet med bare fødder eller åbne sko. Brug altid kraftige, skridsikre støvler.
- Brug kraftige, lange bukser.
- Hvis det er nødvendigt, skal du bruge godkendte beskyttelseshandsker.
- Brug en hjelm, hvis der er risiko for, at genstande kan falde ned på dit hoved.
- Brug altid godkendt høreværn, når du bruger produktet. Støj over længere perioder kan forårsage støjbetinget høretab.
- Sørg for, at du har en førstehjælpskasse i nærheden.

## Beskyttelsesanordninger på produktet

- Sørg for, at du regelmæssigt foretager vedligeholdelse af produktet.

- Levetiden for produktet øges.
- Risikoen for ulykker mindskes.

Lad en godkendt forhandler eller et godkendt servicecenter regelmæssigt undersøge produktet og udføre justeringer eller reparationer.

- Brug ikke et produkt, hvis beskyttelsesudstyret er beskadiget. Hvis produktet er beskadiget, skal du kontakte et godkendt servicecenter.

## Gasreguleringslås

Gasreguleringslåsen låser gasreguleringen. (Fig. 24)

Skub gasreguleringslåsen (A) for at frigøre gasreguleringen (B). Når du slipper håndtaget, går gasreguleringslåsen og gasreguleringen tilbage til deres oprindelige positioner.

1. Sørg for, at gasreguleringen (B) er låst i tomgang, når du slipper gasreguleringslåsen (A).
2. Skub gasreguleringslåsen (A), og sørg for, at den går tilbage til dens oprindelige position, når du slipper den.
3. Tryk på gasreguleringen (B), og sørg for, at den går tilbage til dens oprindelige position, når du slipper den.

Start motoren og giv fuld gas. Slip gasreguleringen, og undersøg, om skæreudstyret stopper. Hvis skæreudstyret roterer, mens gasreguleringen er i tomgang, skal du undersøge tomgangsjusteringsskruen på karburatoren.

## Stopkontakt

Start motoren. Sørg for, at motoren stopper, når stopkontakten sættes i stopposition.

(Fig. 25)

## Beskyttelse til skæreudstyr

Beskyttelsen til skæreudstyret forhindrer, at løse genstande slynges ud i retning af brugeren.

(Fig. 26)

Undersøg beskyttelsen til skæreudstyret for skader, og udskift den, hvis den er beskadiget. Brug kun godkendt beskyttelse til skæreudstyret.

## Lyddæmper

- Brug ikke motoren med en defekt lyddæmper. En defekt lyddæmper øger støjniveauet og risikoen for brand. Hav en brandslukker i nærheden.
- Undersøg regelmæssigt, om lyddæmperen er fastgjort til produktet.
- Rør ikke ved motoren eller lyddæmperen, når motoren er tændt. Rør ikke ved motoren eller lyddæmperen et stykke tid, efter at motoren stopper. Varme overflader kan medføre personskader.
- En varm lyddæmper kan forårsage brand. Vær forsigtig, hvis du bruger produktet i nærheden af brændbare væsker eller gasser.
- Rør ikke delene i lyddæmperen, hvis lyddæmperen er beskadiget. Delene kan indeholde visse kræftfremkaldende kemikalier.

## Skæreudstyr

- Foretag regelmæssig vedligeholdelse. Lad et godkendt servicecenter regelmæssigt undersøge skæreudstyret og udføre justeringer eller reparationer.
  - Skæreudstyrets ydeevne øges.
  - Skæreudstyrets levetid øges.
  - Risikoen for ulykker mindskes.
- Brug kun godkendt beskyttelse til skæreudstyret. For yderligere oplysninger henvises til *TEKNISKE DATA på side 99*.
- Brug ikke beskadiget skæreudstyr.

## Græstrimmerhoved

- Sørg for, at du vikler græstrimmertråden stramt og jævnt rundt om tromlen for at mindske vibrationer.
- Brug kun godkendte græstrimmerhoveder og græstrimmertråde. Se *TEKNISKE DATA på side 99*.
- Brug korrekt længde græstrimmertråd. En lang græstrimmertråd bruger mere motorkraft end en kort græstrimmertråd.
- Sørg for, at kniven på beskyttelsen til skæreudstyret ikke er beskadiget.
- Læg græstrimmertråden i vand i 2 dage, før du fastgør græstrimmertråden til produktet. Dette øger græstrimmertrådens levetid.

## Brændstofsikkerhed

- Start ikke produktet, hvis der er brændstof eller motorolie på produktet. Fjern uønsket brændstof/olie

og lad produktet tørre. Fjern uønsket brændstof fra produktet.

- Hvis du får brændstof på dit tøj, skal du skifte tøj med det samme.
- Undgå at få brændstof på kroppen, da det kan forårsage personskader. Hvis du får brændstof på kroppen, skal du bruge sæbe og vand til at fjerne brændstoffet.
- Start ikke motoren, hvis du får olie eller brændstof på produktet eller på din krop.
- Start ikke produktet, hvis motoren lækker. Undersøg regelmæssigt motoren for lækager.
- Vær forsigtig med brændstof. Brændstof er letantændeligt og dampe er eksplosive og kan medføre personskader eller dødsfald.
- Undgå at indånde brændstoffodampene, da det kan forårsage personskader. Sørg for, at der er tilstrækkelig luftstrøm.
- Ryg ikke i nærheden af brændstof eller motor.
- Anbring ikke varme genstande i nærheden af brændstof eller motor.
- Fyld ikke brændstof på, når motoren er tændt.
- Sørg for, at motoren er afkølet, inden du fylder brændstof på.
- Før du fylder brændstof på, skal du åbne brændstofftankens dæksel langsomt og forsigtigt udløse trykket.
- Fyld ikke brændstof på motoren i et indendørs område. Utilstrækkelig med luftstrøm kan forårsage personskader eller dødsfald på grund af kvælning eller kulilte.
- Spænd dækslet på brændstofftanken omhyggeligt, ellers kan der opstå brand.
- Flyt produktet minimum 3 m fra det sted, hvor du fyldte tanken, før du starter det.
- Fyld ikke for meget brændstof i brændstofftanken.
- Sørg for, at der ikke er lækager, når du flytter produktet eller brændstoffdunken.
- Anbring ikke produktet eller en brændstoffdunk på steder med åben ild, gnister eller tændflammer. Sørg for, at der ikke er åben ild i opbevaringsområdet.
- Brug kun godkendte tanke, når du flytter brændstoffet eller sætter det til opbevaring.
- Tøm brændstofftanken før langtidsopbevaring. Overhold lokal lovgivning om bortskaffelse af brændstof.
- Rengør produktet før langtidsopbevaring.
- Fjern kablet fra tændrøret inden opbevaring for at sikre, at motoren ikke starter utilsigtet.

## Sikkerhedsinstruktioner for vedligeholdelse

- Hvis du ikke kan justere tomgangshastigheden for at stoppe skæreudstyret, skal du kontakte dit servicecenter. Du må ikke bruge produktet, før produktet er indstillet korrekt eller repareret.

---

# MONTERING

---



**ADVARSEL:** Læs kapitlet om sikkerhed, før du samler produktet.

---

## Sådan fastgør du loophåndtaget

1. Sæt loophåndtaget på skaftet som vist på tegningen, og spænd det.(Fig. 27 )
2. Sørg for, at loophåndtaget sættes fast mellem pilene på akslen.

## Sådan monterer du den todelte aksel

1. Drej grebet for at løsne akselkoblingen.(Fig. 28 )
2. Sørg for, at tappen på akslen (A) flugter med pilen på akselkoblingen (B).(Fig. 29 )
3. Skub akslen ind i akselkoblingen, indtil akslen fastgøres.(Fig. 30 )
4. Sørg for, at du spænder grebet, før du bruger produktet.(Fig. 31 )

## Sådan afmonterer du den todelte aksel

1. Drej grebet for at løsne akselkoblingen.(Fig. 32 )
2. Tryk på knappen (C), og hold den inde.(Fig. 33 ) Hold fast i motorenden og træk akslen ud af akselkoblingen.

## Sådan samler du skæreudstyret

### Sådan fastgør du beskyttelsen til skæreudstyret og trimmerhovedet (lige aksel)

1. Fastgør beskyttelsen til skæreudstyret (A) på akslen med boltene (L).(Fig. 34 ) Sørg for at bruge den

korrekte beskyttelse til skæreudstyret og det korrekte trimmerhoved.

2. Fastgør medbringerhjulet (B) på den udgående aksel.
3. Drej den udgående aksel rundt, indtil hullet i medbringerhjulet flugter med det tilsvarende hul i gearhuset.
4. Sæt en lille skruetrækker (C) ind i hullet for at låse akslen.(Fig. 35 )
5. Drej trimmerhovedet (H) mod uret for at spænde trimmerhovedet fast på gearkassen. (Venstregevind).(Fig. 36 )

### Sådan fastgør du beskyttelsen til skæreudstyret og trimmerhovedet (buet aksel)

1. Fastgør afskærmningen.(Fig. 37 ) Spænd møtrikken.
2. Monter støvhætten på akslen.(Fig. 38 )
3. Hold fast på støvhætten med en skruenøgle for at sikre, at akslen ikke drejer rundt.
4. Fastgør trimmerhovedet på akslen. Drej trimmerhovedet med uret.

---

# DRIFT

---



**ADVARSEL:** Læs og forstå kapitlet om sikkerhed, før du betjener produktet.

---

## Brændstof

### Sådan bruger du brændstof



**BEMÆRK:** Dette produkt har en totaktsmotor. Brug en blanding af benzin og totaktsmotorolie. Sørg for at anvende den korrekte mængde olie i blandingen. Forkert forhold mellem benzin og olie kan forårsage beskadigelse af motoren.

---

## Benzin



**BEMÆRK:** Brug ikke benzin med et oktantal mindre end 90 RON (87 AKI). Det kan forårsage skader på produktet.

---



**BEMÆRK:** Brug ikke benzin med en ethanolconcentration på mere end 10 % (E10). Det kan forårsage skader på produktet.

---

- Brug altid ny blyfri benzin med et oktantal på minimum 90 RON (87 AKI) og med en ethanolconcentration på mindre end 10 % (E10).
- Brug aldrig benzin med højere oktantal, hvis du ofte bruger produktet ved et konstant højt motoromdrejningstal.



## Totaktsmotorolie

- Brug kun totaktsmotorolie af høj kvalitet. Brug kun luftkølet motorolie.
- Brug ikke andre typer olie.
- Blandingsforhold 50:1 (2 %)

Benzin	Olie
1 US gal	77 ml (2,6 oz)
1 UK gal.	95 ml (3,2 oz)
5 l	100 ml (3,4 oz)

## Sådan laver du brændstofblandingen

**Bemærk:** Brug altid en ren brændstoffunk, når du blander brændstoffet.

**Bemærk:** Lav ikke en brændstofblanding til mere end 30 dage.

1. Tilføj halvdelen af benzinen.
2. Tilføj al olien.
3. Ryst brændstofblandingen for at blande indholdet.
4. Hæld resten af benzinen i.
5. Ryst brændstofblandingen for at blande indholdet.
6. Fyld brændstoffranken.

## Sådan påfylder du brændstof

- Brug altid en brændstoffunk med overløbssikring.
- Hvis der er brændstof på dunken, skal du fjerne det uønskede brændstof og lade dunken tørre.
- Sørg for, at området i nærheden af brændstoffdækslet er rent.
- Ryst brændstoffunken, før du fylder brændstofblandingen i brændstoffranken.

## Sådan starter og stopper du

### Før du starter motoren

- Undersøg produktet for manglende, beskadigede, løse eller slidte dele.
- Undersøg møtrikker, skruer og bolte.
- Undersøg luftfilteret.
- Undersøg, om gasreguleringslåsen og gashåndtaget fungerer korrekt.
- Undersøg, om stopkontakten fungerer korrekt.
- Undersøg produktet for brændstofflækager.
- Undersøg savkæden skarphed og spænding.

### Sådan starter du en kold motor

1. Tryk på spædepumpen 10 gange(Fig. 39 )
2. Træk chokerhåndtaget op.(Fig. 40 )

3. Hold hoveddelen af produktet på jorden med venstre hånd.(Fig. 41 ) Træd ikke på produktet. Træk langsomt i startsnorens håndtag, indtil du mærker modstand. Træk derefter kraftigt i startrebets håndtag.

**Bemærk:** Træk ikke i gasreguleringen, mens du starter motoren.

4. Fortsæt med at trække i startrebets håndtag, indtil motoren starter eller forsøger at starte (maks. 3 træk). Hvis motoren starter eller forsøger at starte, skal du skubbe chokerhåndtaget ned. Fortsæt med at trække, indtil motoren starter. Vent 60 sekunder efter en start, før du trækker i gasreguleringen.



**BEMÆRK:** Træk ikke i startrebet, indtil det stopper. Slip ikke startrebet, når det er trukket helt ud. Slip startsnoren langsomt. Hvis disse instruktioner ikke følges, kan motoren tage skade.

## Sådan starter du en varm motor

1. Tryk på spædepumpen 10 gange
2. Træk i startrebet, indtil motoren starter.

## Sådan stopper du:

- Tryk på stopkontakten for at standse motoren.(Fig. 42 )

**Bemærk:** Stopkontakten vender automatisk tilbage til dens oprindelige position.

## Sådan betjener du græstrimmeren



**BEMÆRK:** Sørg for, at du sænker motoren til tomgangshastighed, hver gang du har brugt den. En længere periode med fuld gas uden belastning på motoren kan medføre skader på motoren.

**Bemærk:** Rengør dækslet på trimmerhovedet, når du fastgør en ny trimmertråd for at undgå vibrationer. Undersøge andre dele af trimmerhovedet, og rengør det, hvis det er nødvendigt.

## Sådan trimmes græsset

1. Hold trimmerhovedet lige over jorden, og hold det i vinkel.(Fig. 43 ) Skub ikke græstrimmertråden ned i græsset.
2. Mindsk længden på græstrimmertråden med 10-12 cm, og sænk motorens omdrejningstal for at mindske risikoen for at beskadige planter.
3. Brug 80 % gas, når du klipper græs nær genstande. (Fig. 44 )

## Sådan klippes græsset

1. Sørg for, at græstrimmertråden er parallel med underlaget, når du klipper.(Fig. 45 )
2. Skub ikke trimmerhovedet ned mod jorden. Jorden og produktet kan blive beskadiget.
3. Lad ikke trimmerhovedet røre jorden konstant, da det kan beskadige trimmerhovedet.
4. Brug fuld gas, når du flytter produktet fra side til side for at klippe græs.(Fig. 46 ) Sørg for, at græstrimmertråden er parallelt med jorden.

## Sådan udskifter du trimmertråden

- (Fig. 47 )  
(Fig. 48 )  
(Fig. 49 )  
(Fig. 50 )  
(Fig. 51 )  
(Fig. 52 )  
(Fig. 53 )  
(Fig. 54 )

---

## VEDLIGEHODELSE

---



**ADVARSEL:** Læs og forstå sikkerhedskapitlet, før du rengør, reparerer eller udfører vedligeholdelse på produktet.

### Vedligeholdelsesskema

Sørg for, at du overholder vedligeholdelsesskemaet. Intervallerne er fastlagt baseret på daglig brug af produktet. Intervallerne er anderledes, hvis du ikke bruger produktet hver dag. Foretag kun vedligeholdelsesarbejde, som beskrevet i denne vejledning. Snak med et godkendt servicecenter vedrørende yderligere vedligeholdelsesarbejde, som ikke er beskrevet i denne vejledning.

#### Ugentligt eftersyn

- Rengør de udvendige overflader.
- Undersøg tomgangshastigheden.
- Undersøg vinkelgearfedtet (lige aksel).

#### Månedligt eftersyn

- Undersøg starthåndtaget og startrebet.

#### Årlig vedligeholdelse

- Undersøg tændrøret.
- Smør fedt på enden af drivakslen (todelt aksel).
- Rengør de udvendige overflader på karburatoren og dens tilstødende områder.
- Rengør kølesystemet.
- Undersøg gnistfangerskærmen.
- Undersøg brændstoffilteret.
- Undersøg brændstofslangen for skader.
- Undersøg alle kabler og tilslutninger.

#### 50 timers vedligeholdelse

- Få et godkendt servicecenter til at reparere eller udskifte lydæmperen.

### Sådan justerer du tomgangshastigheden

- Sørg for, at luftfilteret er rent og at luftfilterdækslet er fastgjort, før du justerer tomgangshastigheden.

- Juster tomgangshastigheden med den ledige justerskrue T, som er markeret med et "T".
- Tomgangshastigheden er korrekt, når motoren kører jævnt i alle positioner. Tomgangshastigheden skal være under den hastighed, hvor skæreudstyret begynder at rotere.

1. Drej tomgangsjusteringsskruen med uret, indtil skæreudstyret begynder at rotere.(Fig. 55 )
2. Drej tomgangsjusteringsskruen mod uret, indtil skæreudstyret stopper.

### Sådan foretager du vedligeholdelse på gnistfangerskærmen

Brug en stålborste til at rengøre gnistfangerskærmen.  
(Fig. 56 )

### Sådan renser du kølesystemet

Rens delene i kølesystemet med en børste.  
(Fig. 57 )

### Sådan undersøger du tændrøret



**BEMÆRK:** Brug det anbefalede tændrør. Sørg for, at reservedelen er den samme som den vare, der leveres af producenten. Et forkert tændrør kan medføre skader på produktet.

1. Undersøg tændrøret hvis:
  - a) motorens effekt er lav.
  - b) motoren ikke er nem at starte.
  - c) motoren ikke fungerer korrekt i tomgangshastighed.
2. Hvis motoren ikke er nem at starte og køre, skal du undersøge tændrøret for uønskede materialer. Sådan mindsker du risikoen for uønsket materiale på tændrørets elektroder:
  - a) sørg for, at tomgangshastigheden er indstillet korrekt.
  - b) sørg for, at brændstofblandingen er korrekt.
  - c) sørg for, at luftfilteret er rent.

3. Rengør tændrøret, hvis det er snævset. Kontroller, at elektrodeafstanden er korrekt.(Fig. 58 )
4. Udskift tændrøret, når det er nødvendigt.

## Sådan smører du fedt på den todelte aksel

- Smør fedt på enden af drivakslen efter 30 timers drift.(Fig. 59 )

## Sådan foretager du vedligeholdelse af luftfiltret

### Rengøring af luftfilteret

1. Fjern luftfilterdækslet og luftfiltret.(Fig. 60 )
2. Rens luftfilteret med varmt sæbevand. Sørg for, at luftfilteret er tørt, før du sætter det i igen.
3. Udskift luftfilteret, hvis det er for beskidt til at rengøres helt. Udskift altid et beskadiget luftfilter.
4. Hvis produktet har et skumluftfilter, skal du påføre luftfilterolie. Anvend kun luftfilterolie til et skumfilter. Anvend ikke olie i et filfilter.

### Sådan påfører du luftfilterolie i et luftfilter



**BEMÆRK:** Brug altid særlig luftfilterolie til skumluftfiltre. Brug ikke andre typer olie.



**ADVARSEL:** Undgå at få olie på din krop.

1. Fjern luftfilterdækslet og luftfiltret.(Fig. 61 )
2. Anbring luftfilteret i en plastpose.
3. Anbring luftfilterolien i plastposen.(Fig. 62 )
4. Skub til plastposen for at sikre, at olien er påført jævnt på luftfilteret.
5. Tryk på luftfilteret, mens det er i posen, for at fjerne luftfilterolie, der ikke skal bruges. Tag luftfilteret ud af posen.
6. Sæt luftfilteret i.

## Sådan påfører du fedt på vinkelgearet

Sørg for, at vinkelgearet er fyldt 3/4 op med vinkelgearfedt.

(Fig. 63 )

## TEKNISKE DATA

	enhed	129C (A05328CCHV)	129L (A05328CSHV)	129LK (A05328CSHV)
<b>Motorspecifikationer</b>				
Cylindervolumen	cm <sup>3</sup>	27,6	27,6	27,6
Elektrodeafstand	mm	0,5	0,5	0,5
Brændstoftankvolumen	cm <sup>3</sup>	343	343	343
Tomgangshastighed	min <sup>-1</sup>	2800-3200	2800-3200	2800-3200
Maksimalt omdrejningstal	min <sup>-1</sup>	8000	8000	8000
Motoreffekt	kW	0,85	0,85	0,85
Tændrør		Husqvarna HQT-4	Husqvarna HQT-4	Husqvarna HQT-4
Maksimal rotation på udgående aksel	min <sup>-1</sup>	8500	7200	7200
<b>Støj- og vibrationsoplysninger</b>				
Svarende til vibrationsniveau, (ahv, eq) venstre håndtag – se note 1	m/s <sup>2</sup>	3,64	9,9	9,9

Svarende til vibrationsniveau, (ahv, eq) højre håndtag – se note 1	m/s <sup>2</sup>	3,59	8,9	8,9
Støjniveau, garanteret (L <sub>WA</sub> ) – se note 2	dB(A)	114	114	114
Støjniveau, målt – se note 2	dB(A)	106	105	106
Lydtryksniveau ved operatørens øre – se note 3	dB(A)	93	95	95
<b>Produktmål</b>				
Vægt (uden skæreudstyr)	kg	4,61	5,21	5,98
<p><b>Note 1:</b> Rapporterede data for ækvivalent vibrationsniveau har en typisk statistisk spredning (standardafvigelse) på 1 m/s<sup>2</sup>.</p> <p><b>Note 2:</b> Emission af støj til omgivelserne målt som lydeffekt (L<sub>WA</sub>) i henhold til EF-direktiv 2000/14/EF. Rapporteret lydeffektniveau for maskinen er målt med det originale skæreudstyr, der giver det højeste niveau. Forskellen mellem garanteret og målt lydeffekt er, at den garanterede lydeffekt også omfatter spredning i måleresultatet og variationerne mellem forskellige maskiner af samme model i henhold til direktivet 2000/14/EF.</p> <p><b>Note 3:</b> Rapporterede data for ækvivalent lydtryksniveau for maskinen har en typisk statistisk spredning (standardafvigelse) på 1 dB(A).</p>				

---

## TILBEHØR

---

<b>129C</b>		
Godkendt tilbehør	Type	Beskyttelse til skæreudstyr
Gvindaksel (3/8 R)		
Trimmerhoved	T25 (Ø 2,0-2,4 mm)	580 44 66-10
<b>129L, 129LK</b>		
Godkendt tilbehør	Type	Beskyttelse til skæreudstyr
Gvindaksel (M10L)		
Trimmerhoved	T25 (Ø 2,0-2,4 mm)	580 44 66-06

Ekstraudstyr	Type	Anvendes til
Kosttilbehør med aksel	SR600	129LK
Hækkeklippertilbehør med styrestang	HA850	129LK
Kantskærertilbehør med styrestang	EA850	129LK
Savtilbehør med aksel	PA1100	129LK
Kultivortilbehør med aksel	CA150	129LK
Græstrimmertilbehør med aksel	TA850	129LK
Savtilbehør med aksel	PAX1100	129LK
Savtilbehør med aksel	PAX730	129LK

---

## INDHOLD I EF-OVERENSSTEMMELSESERKLÆRING

---

Vi, Husqvarna AB, SE 561 82 Huskvarna, SVERIGE, erklærer under eget ansvar, at det repræsenterede produkt:

Beskrivelse	Benzingræstrimmer/ buskrydder
Mærke	Husqvarna
Platform / type / model	Platform A05328CCHV, repræsenterer model 129C  Platform A05328CSHV, repræsenterer modellerne 129L og 129LK
Batch	Serienumre fra 2013 og fremefter

overholder følgende EU-direktiver og bestemmelser:

Direktiv/bestemmelser	Beskrivelse
2006/42/EF	"vedrørende maskiner"
2014/30/EU	"vedrørende elektromag- netisk kompatibilitet"
2000/14/EF	"vedrørende udendørs støj"

Harmoniserede standarder og/eller tekniske specifikationer anvendt er som følger: EN ISO 12100, EN ISO 11806-1, CISPR 12, ISO 14982

I overensstemmelse med direktiv 2000/14/EF, bilag V, er de erklærede lydverdier angivet i afsnittet om tekniske data i denne manual og i den underskrevne EF-overensstemmelseserklæring.

TÜV Rheinland N.A. har udført en frivillig afprøvning på vegne af Husqvarna AB med opnåelse af overensstemmelsesattest iht. Rådets maskindirektiv 2006/42/EF.

Certifikatet, som findes i den underskrevne EF-overensstemmelseserklæring, gælder for alle produktionssteder og oprindelseslande, som angivet på produktet.

Den leverede benzingræstrimmer/buskrydder stemmer overens med det eksemplar, der har gennemgået afprøvningen.

---

## Sisältö

---

JOHDANTO.....	102	TEKNISET TIEDOT.....	109
TURVALLISUUS.....	103	LISÄVARUSTEET.....	110
ASENNUS.....	105	EU:N VAATIMUSTENMUKAISUUSVAKUUTUS.....	110
KÄYTTÖ.....	106	.....	0
KUNNOSSAPITO.....	108		

---

## JOHDANTO

---

### Käyttöohjekirja

Tämän käyttöohjekirjan alkuperäiskieli on englanti. Muunkieliset käyttöohjekirjat ovat käännöksiä englannista.

### Yleiskatsaus

(Kuva 1 )

1. Siimapää
2. Voiteluaineen täyttöaukko
3. Kulmavaihde
4. Terälaitteen suojus
5. Runkoputki
6. Runkoputken liitin
7. Kaarikahva
8. Turvallipaisin
9. Pysäytin
10. Turvallipaisimen varmistin
11. Syytystulpan suojus, syytystulppa
12. Käynnistyslaitteen kotelo
13. Käynnistysköyden kahva
14. Polttoainesäiliö
15. Ilmansuodattimen kansi
16. Polttoainepumppu
17. Rikastimen ohjain
18. Jousilevy
19. Käyttöohje

### Laitteen symbolit

(Kuva 2 ) Varoitus

(Kuva 3 ) Lue tämä käyttöohjekirja.

(Kuva 4 ) Käytä hyväksytyjä kypäriä.

(Kuva 5 ) Käytä hyväksytyjä kuulonsuojaimia.

(Kuva 6 ) Käytä hyväksytyjä silmäsuojaimia.

(Kuva 7 ) Käytä hyväksytyjä suojakäsineitä.

(Kuva 8 ) Käytä turvajalkineita.

(Kuva 9 ) Laitte voi saada esineitä sinkoutumaan, mikä voi vahingoittaa silmiä.

(Kuva 10 ) Laitte voi saada esineitä sinkoutumaan, mikä voi vahingoittaa silmiä.

(Kuva 11 ) Käyttöakselin enimmäisnopeus.

(Kuva 12 ) Turvaetäisyys

(Kuva 13 ) Käytä vain hyväksytyä siimaa. Älä käytä terää.

(Kuva 14 ) Älä käytä metallista terälaitetta.

(Kuva 15 ) Sido pitkät hiukset olkapäiden yläpuolelle.

(Kuva 16 ) Nuolet osoittavat kahvan asennon rajat.

(Kuva 17 ) Äänitehotaso.

(Kuva 18 ) Äänitaso

(Kuva 19 ) Laitte täyttää voimassa olevien EY-direktiivien vaatimukset.

(Kuva 20 ) Laitte täyttää voimassa olevien EAC-direktiivien vaatimukset.

(Kuva 21 ) Laitte täyttää voimassa olevien Ukrainan direktiivien vaatimukset.

---

**Huomautus:** Muita laitteen symboleita/tarroja tarvitaan muilla markkina-alueilla ilmaisemaan sertifiointivaatimuksia.

---

### Tuotevastuu

Tuotevastuulain mukaisesti emme ole vastuussa tuotteen aiheuttamasta vaurioista, jos

- tuote on korjattu virheellisesti
- tuotteen korjaamiseen on käytetty muita kuin valmistajan omia tai sen hyväksymiä osia

- tuotteessa on muu kuin valmistajan oma tai sen hyväksymä lisävaruste

- tuotetta ei ole korjattu valtuutetussa huoltopisteessä tai hyväksytyllä asiantuntijalla.

---

## TURVALLISUUS

---

### Turvallisuusmääritelmät

Oheiset määritelmät kertovat huomiosanojen vakavuustason.



**VAROITUS:** Henkilövahinko.



**HUOMAUTUS:** Laitevaurio.

**Huomautus:** Nämä tiedot helpottavat laitteen käyttöä.

### Yleiset turvaohjeet

- Käytä laitetta oikein. Virheellinen käyttö voi aiheuttaa tapaturman tai kuoleman. Käytä laitetta vain tässä käyttöohjekirjassa esitettyihin tehtäviin. Älä käytä laitetta muihin tehtäviin.
- Noudata tämän käyttöohjekirjan ohjeita. Noudata turvallisuussymboleita ja turvaohjeita. Jos käyttäjä ei noudata ohjeita ja symboleita, seurauksena voi olla vamma, vaurio tai kuolema.
- Älä hävitä tätä käyttöohjekirjaa. Noudata laitteen asennusta, käyttöä ja kunnossapitoa koskevia ohjeita. Asenna lisälaitteet ja lisävarusteet oikein ohjeiden mukaisesti. Käytä vain hyväksytyjä lisälaitteita ja lisävarusteita.
- Älä käytä vaurioitunutta laitetta. Noudata huoltokaaviota. Tee vain sellaisia huoltotöitä, joita koskevat ohjeet löytyvät tästä käyttöohjekirjasta. Valtuutetun huoltopisteen on tehtävä kaikki muut huoltotyöt.
- Tämä käyttöohjekirja ei voi sisältää kaikkia laitteen käyttöön liittyviä tilanteita. Ole varovainen ja käytä tervettä järkeä. Älä käytä laitetta tai huolla sitä, jos et ole varma tilanteesta. Kysy ohjeita laitteen asiantuntijalta, jälleenmyyjältä, huoltoilikkeestä tai valtuutetusta huoltopisteestä.
- Irrota syytystulpan johto ennen laitteen asentamista, säilytykseen siirtämistä tai huoltoa.
- Älä käytä laitetta, jos sen alkuperäisiä ominaisuuksia on muutettu. Älä muuta edes osaa laitteesta ilman valmistajan lupaa. Käytä vain valmistajan hyväksymiä osia. Virheellinen huolto voi aiheuttaa tapaturman tai kuoleman.
- Älä hengitä moottorin kaasuja. Moottorin pakokaasujen pitkäaikainen hengittäminen on terveydelle vaarallista.
- Älä käynnistä laitetta sisätiloissa tai lähellä herkästi syttyvää materiaalia. Pakokaasut ovat kuumia ja voivat sisältää kipinöitä, jotka voivat aiheuttaa

tulipalon. Jos ilmanvirtaus ei ole riittävä, tukehtuminen tai hiilimonoksidin hengittäminen voi aiheuttaa vamman tai kuoleman.

- Kun laitetta käytetään, moottori muodostaa sähkömagneettisen kentän. Sähkömagneettinen kenttä voi vaurioittaa lääketieteellisiä implantteja. Neuvottele lääkärin ja lääketieteellisen implantin valmistajan kanssa, ennen kuin käytät laitetta.
- Älä anna lasten käyttää laitetta. Älä anna kenenkään sellaisen henkilön käyttää laitetta, joka ei tunne ohjeita.
- Muista aina valvoa laitetta käyttävää henkilöä, jonka fyysiset tai psyykkiset taidot ovat heikentyneet. Vastuullisen aikuisen on oltava aina paikalla.
- Lukitse laite paikkaan, johon lapset ja asiattomat henkilöt eivät pääse.
- Laite voi saada esineitä sinkoutumaan ja aiheuttaa näin vammoja. Noudata turvaohjeita tapaturmien tai kuoleman vaaran ehkäisemiseksi.
- Älä poistu laitteen luota, kun moottori on käynnissä.
- Laitteen käyttäjä on vastuussa, jos tapahtuu onnettomuus.
- Varmista ennen laitteen käyttämistä, ettei osissa ole vaurioita.
- Varmista ennen laitteen käyttämistä, että olet vähintään 15 m:n etäisyydellä muista ihmisistä tai eläimistä. Varmista, että lähistöllä olevat henkilöt tietävät sinun aikovan käyttää laitetta.
- Noudata kansallisia ja paikallisia lakeja. Ne voivat estää laitteen käytön tai rajoittaa sitä joissakin olosuhteissa.
- Älä käytä laitetta ollessasi väsynyt tai jos olet alkoholin, huumaavien aineiden tai lääkkeiden vaikutuksen alaisena. Ne voivat vaikuttaa näkökykyyn, vireyteen, harkintakykyyn tai kehon hallintaan.

### Turvallisuusohjeet käyttöä varten

- Varmista ennen laitteen käyttämistä, että se on valmiiksi koottu.
- Siirrä laite ennen käynnistämistä 3 metrin (10 ft) päähän paikasta, jossa täytit polttoainesäiliön. Aseta laite tasaiselle alustalle. Varmista, ettei terälaite pääse osumaan maahan tai mihinkään esineeseen.
- Laite voi saada esineitä sinkoutumaan, mikä voi vahingoittaa silmiä. Käytä aina hyväksytyjä silmäsuojaimia, kun käytät laitetta.
- Ole varovainen laitetta käyttäessäsi, sillä lapsi voi tulla laitteen lähelle huomaamattasi.
- Älä käytä laitetta, jos työskentelyalueella on ihmisiä. Sammuta laite, jos työskentelyalueelle tulee ihminen.
- Varmista, että laite on aina hallinnassasi.

- Älä käytä laitetta, jos et voi saada apua onnettomuuden sattuessa. Varmista aina ennen käytön aloittamista, että muut tietävät sinun käyttävän laitetta.
- Älä käänny laitteen kanssa, ennen kuin olet varmistanut, ettei turva-alueella ole ihmisiä tai eläimiä.
- Poista kaikki ylimääräiset materiaalit työskentelyalueelta ennen aloittamista. Jos terälaite osuu esineeseen, esine voi sinkoutua ja aiheuttaa vamman tai vaurion. Terälaitteen ympärille voi kiertyä ei-toivottua materiaalia, mikä voi aiheuttaa vaurion.
- Älä käytä laitetta huonolla säällä (sumu, sade, kova tuuli, ukkonen tai muut sääolosuhteet). Huono sää voi aiheuttaa vaaratilanteita (kuten liukastumisvaaran).
- Varmista, että pystyt liikkumaan vapaasti ja työskentelemään tukevassa asennossa.

(Kuva 22)

- Varmista, ettet voi kaatua, kun käytät laitetta. Älä kallistu, kun käytät laitetta.
- Pidä laitetta aina molemmin käsin. Pidä laitetta kehon oikealla puolella.

(Kuva 23)

- Käytä laitetta siten, että terälaite on vyötärön alapuolella.
- Jos rikastinvipu on rikastusasennossa, kun moottori käynnistyy, terälaite alkaa pyöriä.
- Älä koske kulmavaihteeseen moottorin sammuttamisen jälkeen. Kulmavaihteeseen sammuttamisen jälkeen. Kuumat kohdat voivat aiheuttaa vamman.
- Sammuta moottori ennen laitteen siirtämistä.
- Älä laske laitetta maahan, kun moottori on käynnissä.
- Ennen kuin poistat ei-toivotut materiaalit laitteesta, sammuta moottori ja odota, että terälaite pysähtyy. Anna terälaitteen pysähtyä ennen leikkuujätteen poistamista.

## Henkilökohtainen suojavarustus

- Käytä aina oikeanlaista henkilökohtaista suojavarustusta, kun käytät laitetta. Henkilökohtainen suojavarustus ei poista tapaturmien vaaraa. Henkilökohtainen suojavarustus lieventää vammaa, jos sattuu onnettomuus.
- Käytä aina hyväksytyjä silmäsuojaimia, kun käytät laitetta.
- Älä käytä laitetta paljain jaloin tai avonaisissa jalkineissa. Käytä aina kestäviä luistamattomia jalkineita.
- Käytä vahvakankaisia, pitkiä housuja.
- Käytä suojakäsineitä tarvittaessa.
- Käytä kypärää, jos on mahdollista, että päähän putoaa esineitä.

- Käytä aina hyväksytyjä kuulonsuojaimia, kun käytät laitetta. Pitkäkestoinen melulle altistuminen voi aiheuttaa kuulovaurioita.
- Varmista, että lähistöllä on ensiapupakkaus.

## Laitteen turvalaitteet

- Muista huoltaa laite säännöllisesti.
  - Laitteen käyttöikä pitenee.
  - Onnettomuusvaara pienenee.

Anna valtuutetun jälleenmyyjän tai huoltopisteen tarkastaa laite säännöllisesti säätöjen tai korjausten varalta.

- Älä käytä laitetta, jos turvalaitteet ovat vaurioituneet. Jos laitteessa on vaurioita, ota yhteyttä valtuutettuun huoltopisteeseen.

## Turvaliipaisimen varmistin

Turvaliipaisimen varmistin lukitsee turvaliipaisimen. (Kuva 24)

Paina turvaliipaisimen varmistinta (A) turvaliipaisimen (B) vapauttamiseksi. Kun vapautat kahvan, turvaliipaisimen varmistin ja turvaliipaisin palaavat lähtöasentoihinsa.

1. Varmista, että turvaliipaisin (B) on lukittu joutokäynnillä, kun vapautat turvaliipaisimen varmistimen (A).
2. Paina turvaliipaisimen varmistinta (A) ja varmista, että se palautuu lähtöasentoonsa, kun se vapautetaan.
3. Paina turvaliipaisinta (B) ja varmista, että se palautuu lähtöasentoonsa, kun se vapautetaan.

Käynnistä moottori ja käytä täyttä kaasua. Vapauta turvaliipaisin ja tarkista, pysähtyykö terälaite. Jos terälaite pyörii, kun kaasuliipaisin on joutokäyntiasennossa, tarkista kaasuttimen joutokäyntiruuvi.

## Pysäytin

Käynnistä moottori. Varmista, että moottori sammuu, kun siirrä pysäytyskytkimen pysäytysasentoon.

(Kuva 25)

## Terälaitteen suoju

Terälaitteen suoju estää irrallisten esineiden sinkoutumisen käyttäjää kohti.

(Kuva 26)

Tarkista terälaitteen suoju vaurioiden varalta ja vaihda, jos se on vaurioitunut. Käytä vain hyväksytyjä terälaitteen suojusta.

## Äänenvaimennin

- Älä käytä moottoria, jos äänenvaimennin on vaurioitunut. Vaurioitunut äänenvaimennin nostaa äänitasoa ja lisää tulipalon vaaraa. Pidä palonsammutin lähistöllä.



- Tarkista säännöllisesti, että äänenvaimennin on kiinni laitteessa.
- Älä kosketa moottoria tai äänenvaimenninta, kun moottori on käynnissä. Älä kosketa moottoria tai äänenvaimenninta hetkeen moottorin sammuttamisen jälkeen. Kuumat pinnat voivat aiheuttaa vammoja.
- Kuuma äänenvaimennin voi aiheuttaa tulipalon. Ole varovainen, jos käytät laitetta palavien nesteiden tai kaasujen läheisyydessä.
- Älä kosketa äänenvaimentimen osia, jos äänenvaimennin on vaurioitunut. Osat voivat sisältää syöpää aiheuttavia kemikaaleja.

## Terälaite

- Huolla säännöllisesti. Anna valtuutetun huoltopisteen tarkastaa terälaite säännöllisesti säätöjen tai korjausten varalta.
  - Terälaitteen suorituskyky paranee.
  - Terälaitteen käyttöikä pitenee.
  - Onnettomuusvaara pienenee.
- Käytä vain hyväksytyjä terälaitteen suojusta. Katso lisätietoja kohdasta *TEKNISET TIEDOT sivulla 109*.
- Älä käytä vaurioitunutta terälaitetta.

## Siimapää

- Varmista, että kierrät siiman tiukasti ja tasaisesti puolan ympärille tärinän vähentämiseksi.
- Käytä vain hyväksytyjä siimapäitä ja siimoja. Katso *TEKNISET TIEDOT sivulla 109*.
- Käytä oikeanpituista siimaa. Pitkä siima käyttää enemmän moottorin tehoa kuin lyhyt siima.
- Varmista, että terälaitteen suojuksessa oleva leikkain on ehjä.
- Liota siimaa vedessä kahden vuorokauden ajan, ennen kuin kiinnität sen laitteeseen. Se pidentää siiman käyttöikää.

## Polttoaineturvallisuus

- Älä käynnistä laitetta, jos sen päällä on polttoainetta tai moottoriöljyä. Poista ylimääräinen polttoaine tai öljy ja anna laitteen kuivua. Poista ylimääräinen polttoaine laitteesta.
- Jos olet läikyttänyt polttoainetta vaatteillesi, vaihda vaatteet heti.
- Varo, ettei iholle pääse polttoainetta, sillä se voi aiheuttaa vamman. Jos ihollesi joutuu polttoainetta, pese se pois vedellä ja saippualla.

- Älä käynnistä moottoria, jos läikytät öljyä tai polttoainetta laitteen päälle tai yles.
- Älä käynnistä laitetta, jos moottori vuotaa. Tarkista moottori säännöllisesti vuotojen varalta.
- Käsittele polttoainetta varoen. Polttoaine on syttyvää ja kaasut ovat räjähdysherkkiä, mikä voi aiheuttaa tapaturman tai kuoleman.
- Älä hengitä polttoainehöyryjä, sillä ne voivat aiheuttaa vamman. Varmista, että ilmanvirtaus on riittävä.
- Älä tupakoi polttoaineen tai moottorin lähellä.
- Älä sijoita lämpimiä esineitä polttoaineen tai moottorin lähelle.
- Älä lisää polttoainetta, kun moottori on käynnissä.
- Varmista ennen polttoaineen lisäämistä, että moottori on jäähtynyt.
- Ennen kuin lisäät polttoainetta, avaa polttoainesäiliön korkki hitaasti ja vapauta paine varovasti.
- Älä lisää polttoainetta moottoriin sisätilassa. Jos ilmanvirtaus ei ole riittävä, tukehtuminen tai hiilimonoksidin hengittäminen voi aiheuttaa vamman tai kuoleman.
- Kiristä polttoainesäiliön korkki varovasti tulipalon vaaran vuoksi.
- Siirrä laite ennen käynnistämistä vähintään 3 metrin (10 ft) päähän paikasta, jossa täytit säiliön.
- Älä lisää säiliöön liikaa polttoainetta.
- Varmista, ettei polttoainetta pääse vuotamaan, kun liikutat laitetta tai polttoainekannua.
- Älä sijoita laitetta tai polttoainekannua paikkaan, jossa on avotulta, kipinöitä tai sytytysliekkejä. Varmista, ettei säilytyspaikassa ole avotulta.
- Käytä vain hyväksytyjä kannuja polttoaineen siirtämiseen tai säilyttämiseen.
- Tyhjennä polttoainesäiliö ennen pitkäaikaista säilytystä. Noudata paikallista polttoaineen hävittämistä koskevaa lakia.
- Puhdista laite ennen pitkäaikaista säilytystä.
- Irrota sytytystulpan johto ennen laitteen siirtämistä säilytykseen moottorin tahattoman käynnistymisen estämiseksi.

## Turvallisuusohjeet huoltoa varten

- Jos et voi säätää joutokäyntinopeutta terälaitteen pysäyttämiseksi, ota yhteyttä huoltopisteeseen. Älä käytä laitetta, ennen kuin se on säädetty oikein tai korjattu.

# ASENNUS



**VAROITUS:** Lue turvallisuutta käsittelevä luku ennen laitteen asentamista.

## Kaarikahvan kiinnitys

1. Kiinnitä kaarikahva runkoputkeen kuvan mukaisesti ja kiristä. (Kuva 27)
2. Varmista, että lenkkikahva kiinnitetään runkoputkeen merkittyjen nuolien väliin.

## Kaksiosaisen runkoputken asennus

1. Avaa runkoputken liitäntä kääntämällä nuppia.(Kuva 28 )
2. Kohdista runkoputken (A) kieleke runkoputken liitännän (B) nuolen kohdalle.(Kuva 29 )
3. Työnnä runkoputki runkoputken liitäntään, kunnes runkoputki kiinnittyy.(Kuva 30 )
4. Muista kiristää nuppi ennen laitteen käyttämistä. (Kuva 31 )

## Kaksiosaisen runkoputken purku

1. Avaa runkoputken liitäntä kääntämällä nuppia.(Kuva 32 )
2. Työnnä ja pidä nuppia (C).(Kuva 33 ) Pidä kiinni moottorin päästä ja vedä runkoputki pois runkoputken liitännästä.

## Teräslaitteen asennus

### Teräslaitteen suojuksen ja siimapään kiinnitys (suora runkoputki)

1. Kiinnitä teräslaitteen suojuksen (A) runkoputkeen pultilla (L).(Kuva 34 ) Varmista, että käytät oikeaa teräslaitteen suojusta ja oikeaa siimapäätä.

2. Kiinnitä jousilevy (B) käyttöakselille.
3. Käännä käyttöakselia, kunnes jousilevyn reikä on kulmavaihdoketelon reiän kohdalla.
4. Lukitse runkoputki työntämällä pieni ruuvimeisseli (C) reikään.(Kuva 35 )
5. Kiristä siimapäätä (H) vaihdelaatikoon kiertämällä sitä vastapäivään. (Vasenkäitiset kiertet.)(Kuva 36 )

### Teräslaitteen suojuksen ja siimapään kiinnitys (kaareva runkoputki)

1. Kiinnitä suojuksen (A) runkoputkeen pultilla (L).(Kuva 37 ) Kiristä mutteri.
2. Kiinnitä pölysuojus akselille.(Kuva 38 )
3. Pidä pölysuojusta paikoillaan säädettävällä avaimella, jotta runkoputki ei pääse pyörimään.
4. Kiinnitä siimapäätä runkoputkeen. Kierrä siimapäätä myötäpäivään.

## KÄYTTÖ



**VAROITUS:** Lue ja sisäistä turvallisuutta käsittelevä luku ennen laitteen käyttämistä.

## Polttoaine

### Polttoaineen käyttö



**HUOMAUTUS:** Tässä laitteessa on kaksitahtimoottori. Käytä bensiinin ja kaksitahtimoottoriöljyn seosta. Varmista, että seoksessa on oikea määrä öljyä. Bensiinin ja öljyn väärä suhde voi aiheuttaa moottorivaurion.

## Bensiini



**HUOMAUTUS:** Älä käytä bensiiniä, jonka oktaaniluku on pienempi kuin 90 RON (87 AKI). Se voi vaurioittaa laitetta.



**HUOMAUTUS:** Älä käytä bensiiniä, jonka etanolipitoisuus (E10) on yli 10 prosenttia. Se voi vaurioittaa laitetta.

- Käytä aina uutta lyijytöntä bensiiniä, jonka oktaaniluku on vähintään 90 RON (87 AKI) ja etanolipitoisuus (E10) alle 10 prosenttia.

- Käytä bensiiniä, jonka oktaaniluku on suurempi, jos käytät laitetta usein jatkuvasti suurella moottorin käyntinopeudella.

## Kaksitahtimoottoriöljy

- Käytä vain laadukasta kaksitahtimoottoriöljyä. Käytä vain ilmajäähdytteistä moottoriöljyä.
- Älä käytä muita öljytyyppejä.
- Sekoitussuhde 50:1 (2 %)

Bensiini	Öljy
1 gallona (US)	77 ml (2,6 oz)
1 gallona (UK)	95 ml (3,2 oz)
5 l	100 ml (3,4 oz)

## Polttoaineseoksen valmistus

**Huomautus:** Käytä aina puhdasta polttoainekannua, kun sekoitat polttoainetta.

**Huomautus:** Tee polttoaineseosta vain 30 päiväksi kerrallaan.

1. Lisää puolet bensiinin määrästä.
2. Lisää koko öljymäärä.
3. Sekoita polttoaineseos ravistamalla.

4. Lisää loput bensiniistä.
5. Sekoita polttoaineseos ravistamalla.
6. Täytä polttoainesäiliö.

## Polttoaineen lisäys

- Käytä ylityttösuojalla varustettua polttoainekannua.
- Jos kannussa on polttoainetta, poista se ja anna kannun kuivua.
- Varmista, että polttoainesäiliön korkin alue on puhdas.
- Ravista polttoainekannua, ennen kuin lisäät polttoainesesta polttoainesäiliöön.

## Käynnistys ja sammutus

### Ennen moottorin käynnistämistä

- Tarkista laite puuttuvien, vaurioituneiden, löystyneiden tai kuluneiden osien varalta.
- Tarkista mutterit, ruuvit ja pultit.
- Tarkista ilmansuodatin.
- Tarkista turvaliipaisimen varmistimen ja kaasuliipaisimen asianmukainen toiminta.
- Tarkista pysäyttimen asianmukainen toiminta.
- Tarkista laite polttoainevuotojen varalta.
- Tarkista teräketjun terävyys ja kireys.

### Kylmän moottorin käynnistys

1. Paina polttoainepumppua 10 kertaa.(Kuva 39 )
2. Vedä rikastinvipu ylös.(Kuva 40 )
3. Paina laitteen runkoa maata vasten vasemmalla kädellä.(Kuva 41 ) Älä astu laitteen päälle. Vedä käynnistysnarun kahvaa hitaasti, kunnes tunnet vastuksen. Vedä sitten käynnistysnarun kahvaa voimakkaasti.

**Huomautus:** Älä vedä turvaliipaisinta moottorin käynnistystyksen aikana.

4. Vedä käynnistysnarun kahvaa, kunnes moottori käynnistyy tai yrittää käynnistyä (enintään kolme vetoa). Jos moottori käynnistyy tai yrittää käynnistyä, paina rikastinvipu alas. Jatka vetämistä, kunnes moottori käynnistyy. Odota 60 sekuntia käynnistymisen jälkeen, ennen kuin vedät turvaliipaisinta.



**HUOMAUTUS:** Älä vedä käynnistysnarua, kun se on pysähtynyt. Älä irrota otetta käynnistysnarusta, kun se on täysin ulkona. Vapauta käynnistysnaru hitaasti. Näiden ohjeiden laiminlyönti voi aiheuttaa moottorivaurion.

### Lämpimän moottorin käynnistys

1. Paina polttoainepumppua 10 kertaa.

2. Vedä käynnistysnarusta, kunnes moottori käynnistyy.

## Sammuttaminen

- Sammuta moottori painamalla pysäytintä.(Kuva 42 )

**Huomautus:** Pysäytin palaa automaattisesti lähtöasentoonsa.

## Trimmerin käyttö



**HUOMAUTUS:** Muista hidastaa moottori joutokäyntinopeudelle aina käytön jälkeen. Pitkäaikainen käyttö täydellä kaasulla moottoria kuormittamatta voi aiheuttaa moottorivaurion.

**Huomautus:** Tärinän estämiseksi puhdista siimapään suojuus, kun kiinnität uuden siiman. Tarkista siimapään muut osat ja puhdista tarvittaessa.

## Ruohon siistiminen

1. Pidä siimapää aivan maanpinnan yläpuolella ja kallista sitä.(Kuva 43 ) Älä paina siimaa ruohoon.
2. Lyhennä siimaa 10–12 cm (4–4,75 in) ja pienennä moottorin käyntinopeutta kasvien vahingoittumisvaaran ehkäisemiseksi.
3. Käytä 80 % täydestä kaasusta, kun leikkaat ruohoa esineiden läheltä.(Kuva 44 )

## Ruohon leikkaaminen

1. Varmista, että siima on maanpinnan suuntaisena, kun leikkaat.(Kuva 45 )
2. Älä paina siimapäätä maahan. Maanpinta ja laite voivat vaurioitua.
3. Älä anna siimapään osua maahan jatkuvasti, sillä se voi vaurioittaa siimapäätä.
4. Käytä täyttä kaasua, kun leikkaat ruohoa liikuttamalla laitetta sivulta sivulle.(Kuva 46 ) Varmista, että siima on maanpinnan suuntaisena.

## Siiman vaihto

- (Kuva 47 )
- (Kuva 48 )
- (Kuva 49 )
- (Kuva 50 )
- (Kuva 51 )
- (Kuva 52 )
- (Kuva 53 )
- (Kuva 54 )

---

# KUNNOSSAPITO

---



**VAROITUS:** Lue ja sisäistä turvallisuutta käsittelevä luku ennen laitteen puhdistamista, korjaamista tai huoltamista.

## Huoltokaavio

Muista noudattaa huoltokaaviota. Välit on laskettu laitteen päivittäisen käytön perusteella. Ne ovat erilaiset, jos et käytä laitetta joka päivä. Tee vain tästä käyttöohjekirjasta löytyvät huoltotyöt. Ota yhteyttä valtuutettuun huoltopisteeseen muiden, tästä käyttöohjekirjasta puuttuvien huoltotöiden osalta.

### Viikoittaiset toimenpiteet

- Puhdista ulkopinnat.
- Tarkista joutokäyntinopeus.
- Tarkista kulmavaihterassa (suora runkoputki).

### Kuukausittaiset toimenpiteet

- Tarkista käynnistysnarun kahva ja käynnistysnaru.

### Vuosihuolto

- Tarkista sytytystulppa.
- Levitä rasvaa vetoakselin päähän (kaksiosainen akseli).
- Puhdista kaasuttimen ulkopinnat ja ympäristö.
- Puhdista jäähdytysjärjestelmä.
- Tarkista kipinäverkko.
- Tarkista polttoainesuodatin.
- Tarkista polttoaineletku vaurioiden varalta.
- Tarkista kaikki kaapelit ja liitännät.

### 50 tunnin huolto

- Anna valtuutetun huoltopisteen korjata tai vaihtaa äänenvaimennin.

## Joutokäyntinopeuden säätö

- Varmista, että ilmansuodatin on puhdas ja ilmansuodattimen kansi kiinnitetty, ennen kuin säädät joutokäyntinopeutta.
  - Säädä joutokäyntinopeus joutokäyntiruuvilla, joka on merkitty T-kirjaimella.
  - Joutokäyntinopeus on oikea, kun moottori käy tasaisesti kaikilla asennoilla. Joutokäyntinopeuden on oltava pienempi kuin käyntinopeuden, jolla terälaite alkaa pyöriä.
1. Kierrä joutokäyntiruuvia myötäpäivään, kunnes terälaite alkaa pyöriä.(Kuva 55 )
  2. Kierrä joutokäyntiruuvia vastapäivään, kunnes terälaite pysähtyy.

## Kipinäverkon kunnossapito

Puhdista kipinäverkko teräsharjalla.  
(Kuva 56 )

## Jäähdytysjärjestelmän puhdistus

Puhdista jäähdytysjärjestelmän osat harjalla.

(Kuva 57 )

## Sytytystulpan tarkistus



**HUOMAUTUS:** Käytä suositeltua sytytystulppaa. Varmista, että uusi osa on samanlainen kuin valmistajan toimittama osa. Väärä sytytystulppa voi aiheuttaa laitevaurion.

1. Tarkista sytytystulppa seuraavissa tilanteissa:
  - a) Moottorin teho on heikko.
  - b) Moottoria ei ole helppo käynnistää.
  - c) Moottori ei toimi oikein joutokäyntinopeudella.
2. Jos moottoria ei ole helppo käynnistää tai käyttää, tarkista onko sytytystulpassa ylimääräistä materiaalia. Ehkäise ylimääräisen materiaalin joutuminen sytytystulpan elektrodeihin seuraavasti:
  - a) Varmista, että joutokäyntinopeus on säädetty oikein.
  - b) Varmista, että polttoaineseos on oikea.
  - c) Varmista, että ilmansuodatin on puhdas.
3. Puhdista sytytystulppa, jos se on likainen. Tarkista, että kärkiväli on oikea.(Kuva 58 )
4. Vaihda sytytystulppa tarvittaessa.

## Rasvan levitys kaksiosaiseen akseliin

- Levitä rasvaa vetoakselin päähän 30 käyttötunnin välein.(Kuva 59 )

## Ilmansuodattimen kunnossapito

### Ilmansuodattimen puhdistaminen

1. Irrota ilmansuodattimen kansi ja ilmansuodatin.(Kuva 60 )
2. Pese ilmansuodatin lämpimällä saippuavedellä. Varmista ennen asentamista, että ilmansuodatin on kuiva.
3. Vaihda ilmansuodatin, jos se on liian likainen, eikä sitä saa täysin puhtaaksi. Vaurioitunut ilmansuodatin on aina vaihdettava.
4. Jos laitteessa on vaahtokumi-ilmansuodatin, levitä ilmansuodatinöljyä. Levitä ilmansuodatinöljyä vain vaahtokumisuolettimeen. Älä levitä öljyä huopasuodattimeen.

## Ilmansuodatinöljyn levitys ilmansuodattimeen



**HUOMAUTUS:** Käytä vaahtokumi-ilmansuodattimissa aina erityistä ilmansuodatinöljyä. Älä käytä muita öljytyyppejä.



**VAROITUS:** Varo, ettei iholle pääse öljyä.

1. Irrota ilmansuodattimen kansi ja ilmansuodatin. (Kuva 61 )

2. Siirrä ilmansuodatin muovipussiin.
3. Kaada ilmansuodatinöljy muovipussiin. (Kuva 62 )
4. Painele muovipussia, jotta öljy levittyy tasaisesti koko ilmansuodattimeen.
5. Paina pussissa olevaa ilmansuodatinta ylimääräisen ilmansuodatinöljyn poistamiseksi. Ota ilmansuodatin pois pussista.
6. Asenna ilmansuodatin.

## Rasvan levitys kulmavaihteeseen

Varmista, että 3/4 kulmavaihteesta on täytetty rasvalla. (Kuva 63 )

## TEKNISET TIEDOT

	Yksik- kö	129C (A05328CCHV)	129L (A05328CSHV)	129LK (A05328CSHV)
<b>Moottorin tiedot</b>				
Sylinteritilavuus	cm <sup>3</sup>	27,6	27,6	27,6
Kärkiväli	mm	0,5	0,5	0,5
Polttoainesäiliön tilavuus	cm <sup>3</sup>	343	343	343
Joutokäyntinopeus	min <sup>-1</sup>	2 800–3 200	2 800–3 200	2 800–3 200
Moottorin enimmäiskäyntinopeus	min <sup>-1</sup>	8 000	8 000	8 000
Maksimiteho	kW	0,85	0,85	0,85
Sytytystulppa		Husqvarna HQT-4	Husqvarna HQT-4	Husqvarna HQT-4
Käyttöakselin enimmäispyörimisnopeus	min <sup>-1</sup>	8 500	7 200	7 200
<b>Ääni- ja värähtelytiedot</b>				
Vastaava värähtänytaso (ahv, eq) vasen kahva – ks. huomautus 1	m/s <sup>2</sup>	3,64	9,9	9,9
Vastaava värähtänytaso (ahv, eq) oikea kahva – ks. huomautus 1	m/s <sup>2</sup>	3,59	8,9	8,9
Äänitehotaso, taattu (L <sub>WA</sub> ) – ks. huomautus 2	dB(A)	114	114	114
Äänitehotaso, mitattu – ks. huomautus 2	dB(A)	106	105	106
Äänenpainetaso käyttäjän korvan tasalla – ks. huomautus 3	dB(A)	93	95	95
<b>Tuotteen mitat</b>				
Paino (ilman terävarustusta)	kg	4,61	5,21	5,98

**Huom. 1.** Ilmoitetuilla tiedoilla vastaavasta tärinätasosta tyypillinen tilastollinen hajonta (vakiopoikkeama) on 1 m/s<sup>2</sup>.

**Huom. 2:** Melupäästöt ympäristöön äänentehona (L<sub>WA</sub>) EY-direktiivin 2000/14/EY mukaisesti mitattuna. Koneen ilmoitettu äänentehotaso on mitattu käyttäen alkuperäistä terälaitetta, joka antaa suurimman äänentehotason. Taatun ja mitatun äänitehon erona on se, että taattu ääniteho sisältää myös mitatun tuloksen hajonnan ja vaihtelun saman mallin eri koneiden välillä direktiivin 2000/14/EY mukaisesti.

**Huomautus 3:** Ilmoitetuilla tiedoilla vastaavasta koneen äänenpainetasosta tyypillinen tilastollinen hajonta (vakio-poikkeama) on 1 dB(A).

## LISÄVARUSTEET

### 129C

Hyväksytyt lisävarusteet	Tyyppi	Terälaitteen suojus
Kierreakseli (3/8 R)		
Siimapää	T25 (Ø 2,0–2,4 mm)	580 44 66-10

### 129L, 129LK

Hyväksytyt lisävarusteet	Tyyppi	Terälaitteen suojus
Kierreakseli (M10L)		
Siimapää	T25 (Ø 2,0–2,4 mm)	580 44 66-06

Lisävarusteet	Tyyppi	Käyttökohde
Lakaisulisälaite runkoputkineen	SR600	129LK
Pensasleikkurilisälaite runkoputkineen	HA850	129LK
Reunaleikkurilisälaite runkoputkineen	EA850	129LK
Sahalisälaite runkoputkineen	PA1100	129LK
Jyrsinlisälaite runkoputkineen	CA150	129LK
Trimmerilisälaite runkoputkineen	TA850	129LK
Sahalisälaite runkoputkineen	PAX1100	129LK
Sahalisälaite runkoputkineen	PAX730	129LK

## EU:N VAATIMUSTENMUKAISUUSVAKUUTUS

Husqvarna AB, SE 561 82 Huskvarna, RUOTSI,  
vakuuttaa täten, että oheinen tuote:

Kuvaus	Bensiinikäyttöinen trimmeri/ruohoraivuri
Tuotemerkki	Husqvarna

<b>Kuvaus</b>	<b>Bensiinikäyttöinen trimmeri/ruohoraivuri</b>
Alusta / Tyyppi / Malli	Alusta A05328CCHV, edustaa mallia 129C  Alusta A05328CSHV, edustaa malleja 129L ja 129LK
Erä	Sarjanumero 2013 alkaen

vastaa täysin seuraavien EU:n direktiivien ja asetusten vaatimuksia:

<b>Direktiivi/asetus</b>	<b>Kuvaus</b>
2006/42/EY	Konedirektiivi
2014/30/EU	EMC-direktiivi
2000/14/EY	Melupäästädirektiivi

Asiassa sovelletaan seuraavia yhdenmukaistettuja standardeja ja/tai teknisiä määräyksiä: EN ISO 12100, EN ISO 11806-1, CISPR 12, ISO 14982

Ilmoitetut meluarvot on annettu direktiivin 2000/14/EY liitteen V mukaisesti tämän käyttöohjekirjan teknisissä tiedoissa sekä allekirjoitetussa EY:n vaatimustenmukaisuusvakuutuksessa.

TÜV Rheinland N.A. on suorittanut Husqvarna AB:lle vapaaehtoisen tyyppitarkastuksen ja tuottanut näin Euroopan parlamentin ja neuvoston konedirektiivin 2006/42/EY mukaisen sertifiikaatin.

Allekirjoitetussa EY:n vaatimustenmukaisuusvakuutuksessa ilmoitettu sertifiikaatti pätee kaikkiin valmistuspaikkoihin ja -maihin tuotteessa ilmoitettujen tietojen mukaisesti.

Oheinen bensiinikäyttöinen trimmeri/ruohoraivuri on tarkistetun mallikappaleen mukainen.

---

# ÍNDICE

---

INTRODUÇÃO.....	112	ESPECIFICAÇÕES TÉCNICAS.....	120
SEGURANÇA.....	113	ACESSÓRIOS.....	121
MONTAGEM.....	116	CONTEÚDO DA DECLARAÇÃO DE	
UTILIZAÇÃO.....	116	CONFORMIDADE DA UE.....	121
MANUTENÇÃO.....	118	.....	0

---

## INTRODUÇÃO

---

### Manual do utilizador

O idioma inicial deste manual do utilizador é o Inglês.  
Os manuais do utilizador em outros idiomas são traduções do Inglês.

### Revisão geral

(Fig. 1 )

1. Cabeçote de recorte
2. Tampão de enchimento de massa lubrificante
3. Engrenagem cônica
4. Proteção do acessório de corte
5. Eixo
6. Acoplamento do tubo
7. Punho fechado
8. Acelerador
9. Interruptor de paragem
10. Bloqueio do acelerador
11. Cobertura da vela de ignição, vela de ignição
12. Caixa do dispositivo de arranque
13. Pega da corda do motor de arranque
14. Depósito de combustível
15. Cobertura do filtro de ar
16. Bomba de combustível
17. Controlo do estrangulador
18. Acionador
19. Manual do utilizador

### Símbolos no produto

- (Fig. 2 ) Aviso
- (Fig. 3 ) Leia este manual.
- (Fig. 4 ) Utilize proteção para a cabeça aprovada.
- (Fig. 5 ) Utilize protetores acústicos aprovados.
- (Fig. 6 ) Utilize proteção ocular aprovada.
- (Fig. 7 ) Utilize luvas de proteção aprovadas.
- (Fig. 8 ) Utilize calçado de proteção/botas.

(Fig. 9 ) O produto pode causar a projeção de objetos, o que pode causar danos nos olhos.

(Fig. 10 ) O produto pode causar a projeção de objetos, o que pode causar danos nos olhos.

(Fig. 11 ) Velocidade máxima do eixo de saída.

(Fig. 12 ) Distância de segurança

(Fig. 13 ) Utilize apenas uma linha do aparador aprovada. Não utilize uma lâmina.

(Fig. 14 ) Não utilize um acessório de corte feito de metal.

(Fig. 15 ) Certifique-se de que o cabelo comprido é preso acima de seus ombros.

(Fig. 16 ) As setas mostram os limites para a posição do punho.

(Fig. 17 ) Nível de potência sonora.

(Fig. 18 ) Nível de ruído

(Fig. 19 ) O produto está em conformidade com as diretivas CE aplicáveis.

(Fig. 20 ) O produto está em conformidade com as diretivas EAC aplicáveis.

(Fig. 21 ) O produto está em conformidade com as diretivas aplicáveis da Ucrânia.

---

**Nota:** Os restantes símbolos/autocolantes existentes no produto dizem respeito a exigências para homologação em outras áreas comerciais.

---



## Responsabilidade pelo produto

Como referido nas leis de responsabilidade pelo produto, não somos responsáveis por danos causados pelo nosso produto se:

- o produto tiver sido incorretamente reparado.
- o produto tiver sido reparado com peças que não sejam do fabricante ou que não sejam aprovadas pelo fabricante.

- o produto tiver um acessório que não seja do fabricante ou que não seja aprovado pelo fabricante.
- o produto não tiver sido reparado por um centro de assistência autorizado ou por uma autoridade aprovada.

---

## SEGURANÇA

---

### Definições de segurança

As definições abaixo indicam o nível de gravidade para cada palavra do sinal.



**ATENÇÃO:** Ferimentos pessoais.



**CUIDADO:** Danos no produto.

**Nota:** Esta informação facilita a utilização do produto.

### Instruções de segurança gerais

- Utilize o produto corretamente. Ferimentos ou morte são resultados possíveis de utilização incorreta. Utilize apenas o produto para as tarefas descritas neste manual. Não utilize o produto para outras tarefas.
- Siga as instruções neste manual. Respeite as instruções e os símbolos de segurança. Ferimentos, danos ou morte são um resultado possível se o operador não respeitar as instruções e os símbolos.
- Não elimine este manual. Utilize as instruções para montar, para operar e para manter o seu produto em bom estado. Utilize as instruções para a instalação correta de acessórios. Utilize apenas acessórios aprovados.
- Não utilize um produto danificado. Respeite o esquema de manutenção. Realize apenas tarefas de manutenção descritas neste manual. Todas as outras tarefas de manutenção têm de ser realizadas por um centro de assistência autorizado.
- Este manual não pode incluir todas as situações que podem ocorrer quando utiliza o produto. Seja cuidadoso e use o seu senso comum. Não opere o produto nem realize tarefas de manutenção se não tiver a certeza acerca da situação. Fale com um especialista do produto, o seu concessionário, oficina autorizada ou centro de assistência autorizado para obter informações.
- Desligue o cabo da vela de ignição antes de montar o produto, de o armazenar ou de realizar tarefas de manutenção.
- Não utilize o produto se este for alterado da sua especificação inicial. Não altere uma parte do produto sem a aprovação do fabricante. Utilize apenas peças que sejam aprovadas pelo fabricante. Ferimentos ou morte são resultados possíveis de manutenção incorreta.
- Não respire os gases do motor. A inalação prolongada dos gases de escape do motor constitui um risco para a saúde.
- Não arranque o produto em locais fechados ou nas proximidades de material inflamável. Os gases de escape são quentes e podem conter faíscas que podem causar incêndios. O fluxo de ar insuficiente pode causar ferimentos ou morte devido a asfixia ou monóxido de carbono.
- Quando utilizar esse produto, o motor produz um campo eletromagnético. O campo eletromagnético pode causar danos a implantes médicos. Consulte o seu médico e o fabricante do implante antes de utilizar este produto.
- Não deixe uma criança utilizar o produto. Não permita que o produto seja operado por uma pessoa que não conheça as instruções.
- Certifique-se de que monitoriza sempre a utilização do produto por pessoas com diminuição da capacidade física ou mental. Tem de estar sempre presente um adulto responsável.
- Bloqueie o produto numa área à qual crianças e pessoas sem autorização não tenham acesso.
- O produto pode projetar objetos e causar ferimentos. Respeite as instruções de segurança para diminuir o risco de ferimentos ou morte.
- Não se afaste do produto quando o motor estiver ligado.
- O operador do produto é responsável caso ocorra um acidente.
- Certifique-se de que as peças não estão danificadas antes de utilizar o produto.
- Certifique-se de que está no mínimo a 15 m (50 pés) de distância de outras pessoas ou animais antes de utilizar o produto. Certifique-se de que uma pessoa numa área adjacente sabe que irá utilizar o produto.

- Consulte as leis nacionais ou locais. Podem impedir ou diminuir o funcionamento do produto em algumas condições.
- Não utilize o produto se estiver cansado ou sob a influência de álcool, drogas ou medicamentos. Estes podem ter efeitos na sua visão, atenção, capacidade de discernimento ou controlo físico.

- Se o controlo do estrangulador estiver na posição do estrangulador quando o motor arranca, o acessório de corte começa a rodar.
- Não toque na engrenagem cônica depois de o motor parar. A engrenagem cônica está quente depois de o motor parar. As áreas quentes podem causar ferimentos.
- Pare o motor antes de mover o produto.
- Não pose o produto com o motor ligado.
- Antes de remover os materiais indesejados do produto, pare o motor e aguarde que o acessório de corte pare. Deixe o acessório de corte parar antes de o material cortado ser retirado por si ou por um ajudante.

## Instruções de segurança para funcionamento

- Certifique-se de que o produto está totalmente montado antes de o utilizar.
- Antes de começar, desloque o produto a uma distância de 3 m (10 pés) da posição onde abasteceu o depósito de combustível. Coloque o produto numa superfície plana. Certifique-se de que o acessório de corte não toca no solo ou noutros objetos.
- O produto pode causar a projeção de objetos, o que pode causar danos nos olhos. Utilize sempre uma proteção ocular aprovada quando operar o produto.
- Tenha cuidado, uma criança pode aproximar-se do produto sem o seu conhecimento durante o funcionamento.
- Não opere o produto se houver pessoas na área de trabalho. Pare o produto se uma pessoa for para a área de trabalho.
- Certifique-se de que está sempre em controlo do produto.
- Não utilize o produto se não puder receber ajuda em caso de acidente. Certifique-se sempre de que outras pessoas sabem que irá operar o produto antes de começar.
- Não vire com o produto antes de se certificar de que não há pessoas ou animais na área de segurança.
- Remova todos os materiais indesejados da área de trabalho antes de começar. Se o acessório de corte atingir um objeto, este pode ser projetado e causar ferimentos ou danos. Os materiais indesejados podem enrolar-se à volta do acessório de corte e causar danos.
- Não utilize o produto em más condições meteorológicas (nevoeiro, chuva, ventos fortes, risco de relâmpagos ou outras condições meteorológicas). Podem ocorrer condições perigosas (tais como superfícies escorregadias) devido a más condições meteorológicas.
- Certifique-se de que pode mover-se livremente e trabalhar numa posição estável.

(Fig. 22)

- Certifique-se de que não pode cair quando utilizar o produto. Não se incline quando operar o produto.
- Segure sempre o produto com ambas as mãos. Mantenha o produto do lado direito do seu corpo.

(Fig. 23)

- Opere o produto com o acessório de corte abaixo da cintura.

## Equipamento de proteção pessoal

- Utilize sempre equipamento de proteção pessoal adequado quando operar o produto. O equipamento de proteção pessoal não elimina o risco de ferimentos. O equipamento de proteção pessoal diminui a gravidade dos ferimentos em caso de acidente.
- Utilize sempre uma proteção ocular aprovada enquanto opera o produto.
- Não opere o produto com os pés descalços ou com calçado aberto. Use sempre botas antiderrapantes resistentes.
- Use calças compridas e resistentes.
- Se for necessário, use luvas de proteção aprovadas.
- Use um capacete caso haja possibilidade de objetos caírem na sua cabeça.
- Utilize sempre proteção auditiva aprovada enquanto opera o produto. A exposição prolongada a ruído pode causar perda da capacidade auditiva.
- Certifique-se de que tem um kit de primeiros socorros por perto.

## Dispositivos de proteção no produto

- Certifique-se de que realiza regularmente tarefas de manutenção do produto.
  - A vida útil do produto é aumentada.
  - O risco de acidentes é reduzido.

Leve regularmente o produto a um concessionário autorizado ou a um centro de assistência autorizado para que o examinem e realizem ajustes ou reparações.

- Não utilize o produto com equipamento de proteção danificado. Se o produto estiver danificado, fale com um centro de assistência autorizado.

## Bloqueio do acelerador

O bloqueio do acelerador bloqueia o acelerador. (Fig. 24)

Empurre o bloqueio do acelerador (A) para libertar o acelerador (B). Ao soltar o punho, o bloqueio do acelerador e o acelerador regressam às respetivas posições iniciais.

1. Certifique-se de que o acelerador (B) está bloqueado ao ralenti quando libertar o bloqueio do acelerador (A).
2. Empurre o bloqueio do acelerador (A) e certifique-se de que este regressa à sua posição inicial quando libertado.
3. Empurre o acelerador (B) e certifique-se de que este regressa à sua posição inicial quando libertado.

Ligue o motor e, em seguida, aplique aceleração total. Solte o acelerador e examine se o acessório de corte para. Se o acessório de corte rodar com o acelerador na posição de ralenti, examine o parafuso de ajuste de ralenti do carburador.

## Interruptor de paragem

Ligue o motor. Certifique-se de que o motor para quando move o interruptor de paragem para a posição de paragem.

(Fig. 25)

## Proteção do acessório de corte

A proteção do acessório de corte evita a projeção de objetos soltos em direção ao operador.

(Fig. 26)

Examine a proteção do acessório de corte quanto a danos e substitua se estiver danificada. Utilize apenas a proteção aprovada para o acessório de corte.

## Silenciador

- Não utilize um motor com um silenciador danificado. Um silenciador danificado aumenta o nível de ruído e o risco de incêndio. Mantenha um extintor de incêndios por perto.
- Examine regularmente se o silenciador está fixo ao produto.
- Não toque no motor ou no silenciador quando o motor está ligado. Não toque no motor ou no silenciador durante algum tempo após a paragem do motor. As superfícies quentes podem causar ferimentos.
- Um silenciador quente pode provocar um incêndio. Tenha cuidado se utilizar o produto nas proximidades de líquidos inflamáveis ou gases.
- Não toque nas peças do silenciador, caso este esteja danificado. As peças podem conter alguns produtos químicos cancerígenos.

## Acessório de corte

- Realize regularmente as tarefas de manutenção. Leve regularmente o acessório de corte a um centro de assistência autorizado para que o examinem e realizem ajustes ou reparações.
  - O desempenho do acessório de corte melhora.
  - A vida útil do acessório de corte é aumentada.
  - O risco de acidentes é reduzido.

- Utilize apenas uma proteção do acessório de corte aprovada. Para mais informações, consulte *ESPECIFICAÇÕES TÉCNICAS* na página 120.
- Não utilize um acessório de corte danificado.

## Cabeça do aparador de relva

- Certifique-se de que enrola a linha do aparador de relva com firmeza e igualmente em redor do tambor para reduzir a vibração.
- Utilize apenas as cabeças e as linhas do aparador de relva aprovadas. Consulte o capítulo *ESPECIFICAÇÕES TÉCNICAS* na página 120.
- Utilize um comprimento correto da linha do aparador de relva. Uma linha de aparador de relva longa utiliza mais potência do motor do que uma linha de um aparador de relva curta.
- Certifique-se de que o cortador da proteção do acessório de corte não está danificado.
- Embeba a linha do aparador de relva em água durante 2 dias antes de a fixar ao produto. Isso prolonga a vida útil da linha do aparador de relva.

## Segurança no manuseamento do combustível

- Não ligue o produto se houver combustível ou óleo do motor sobre o produto. Remova o combustível/óleo indesejado e deixe o produto secar. Remova o combustível indesejado do produto.
- Se derramar combustível na sua roupa, troque de roupa imediatamente.
- Não deixe que o combustível entre em contacto com o seu corpo, pois pode causar ferimentos. Se o combustível entrar em contacto com o seu corpo, use sabão e água para o remover.
- Não ligue o motor se derramar óleo ou combustível no produto ou no seu corpo.
- Não ligue o produto se o motor tiver uma fuga. Examine regularmente o motor quanto a fugas.
- Tenha cuidado com o combustível. O combustível é inflamável e os gases são explosivos e podem causar ferimentos ou morte.
- Não respire os gases do combustível, podem causar ferimentos. Certifique-se de que existe um fluxo de ar suficiente.
- Não fume perto de combustível ou do motor.
- Não coloque objetos quentes perto do combustível ou do motor.
- Não acrescente combustível com o motor em funcionamento.
- Certifique-se de que o motor está frio antes de reabastecer.
- Antes de reabastecer, abra lentamente a tampa do depósito de combustível e liberte a pressão com cuidado.
- Não adicione combustível ao motor numa área interior. O fluxo de ar insuficiente pode causar ferimentos ou morte devido a asfíxia ou monóxido de carbono.

- Aperte a tampa do depósito de combustível com cuidado ou pode ocorrer um incêndio.
- Desloque o produto a uma distância mínima de 3 m (10 pés) da posição onde abasteceu o depósito antes de começar.
- Não encha demasiado o depósito de combustível.
- Certifique-se de que não ocorrem fugas quando desloca o produto ou o recipiente de combustível.
- Não coloque o produto ou um recipiente de combustível onde houver uma chama aberta, faísca ou luz piloto. Certifique-se de que a área de armazenamento não contém uma chama aberta.
- Utilize apenas recipientes aprovados quando deslocar ou armazenar o combustível.
- Esvazie o depósito de combustível antes do armazenamento a longo prazo. Respeite a legislação local sobre a eliminação de combustível.

- Limpe o produto antes do armazenamento a longo prazo.
- Remova o cabo de vela de ignição antes de armazenar o produto, para se certificar de que o motor não arranca acidentalmente.

## Instruções de segurança para manutenção

- Se não for possível ajustar o ralenti para parar o acessório de corte, fale com o seu centro de assistência. Não utilize o produto até este estar corretamente regulado ou reparado.

---

## MONTAGEM

---



**ATENÇÃO:** Leia o capítulo sobre segurança antes de montar o produto.

### Fixar o punho fechado

1. Fixe o punho fechado ao eixo de acordo com a ilustração e aperte.(Fig. 27 )
2. Certifique-se de que o punho fechado fica fixo entre as setas no eixo.

### Montar o eixo de duas peças

1. Rode o botão para desapertar o acoplamento do eixo.(Fig. 28 )
2. Alinhe a saliência do eixo (A) com a seta no acoplamento do eixo (B).(Fig. 29 )
3. Empurre o eixo para o acoplamento do eixo até que o eixo fique preso.(Fig. 30 )
4. Certifique-se de que aperta o botão antes de utilizar o produto.(Fig. 31 )

### Desmontar o eixo de duas peças

1. Rode o botão para desapertar o acoplamento do eixo.(Fig. 32 )
2. Carregue e mantenha o botão (C).(Fig. 33 ) Segure a extremidade do motor e puxe o eixo para fora do acoplamento do eixo.

### Montar o acessório de corte

#### Fixar a proteção do acessório de corte e a cabeça do aparador (eixo reto)

1. Fixe a proteção do acessório de corte (A) ao eixo com o parafuso (L).(Fig. 34 ) Certifique-se de que utiliza a proteção do acessório de corte correta e a cabeça do aparador correta.
2. Fixe o acionador (B) ao eixo de saída.
3. Rode o eixo de saída até que o orifício do acionador fique alinhado com o orifício na caixa de engrenagem.
4. Coloque uma chave de parafusos pequena (C) no orifício para bloquear o eixo.(Fig. 35 )
5. Rode a cabeça do aparador (H) para a esquerda para apertar a cabeça do aparador à caixa de velocidades. (Roscas do lado esquerdo).(Fig. 36 )

#### Fixar a proteção do acessório de corte e a cabeça do aparador (eixo curvo)

1. Fixe a proteção.(Fig. 37 ) Aperte a porca.
2. Fixe a tampa antipó ao eixo.(Fig. 38 )
3. Segure a tampa antipó com uma chave ajustável para se certificar de que o eixo não roda.
4. Fixe a cabeça do aparador ao eixo. Rode a cabeça do aparador para a direita.

---

## UTILIZAÇÃO

---



**ATENÇÃO:** Certifique-se de que lê e compreende o capítulo sobre segurança antes de operar o produto.

## Combustível

### Utilizar combustível



**CUIDADO:** Este produto tem um motor de dois tempos. Utilize uma mistura de gasolina e óleo de motor de dois tempos. Certifique-se de utilizar a quantidade correta de óleo na mistura. A relação incorreta de gasolina e óleo pode causar danos ao motor.

### Gasolina



**CUIDADO:** Não utilize gasolina com um índice de octanas inferior a 90 RON (87 AKI) e caso contrário, pode causar danos no produto.



**CUIDADO:** Não utilize gasolina com mais de 10% de concentração de etanol (E10). Caso contrário, pode causar danos no produto.

- Utilize sempre gasolina sem chumbo nova com um índice de octanas mínimo de 90 RON (87 AKI) e com menos de 10% de concentração de etanol (E10).
- Utilize gasolina com um índice de octanas superior se costumar utilizar o produto a uma velocidade do motor continuamente elevada.

### Óleo de motor de dois tempos

- Utilize apenas óleo de motor de dois tempos de alta qualidade. Utilize apenas óleo de motor refrigerado a ar.
- Não utilize outros tipos de óleo.
- Relação de mistura 50:1 (2%)

Gasolina	Óleo
1 gal (EUA)	77 ml (2,6 oz)
1 gal (Reino Unido)	95 ml (3,2 oz)
5 l	100 ml (3,4 oz)

### Preparar a mistura de combustível

**Nota:** Utilize sempre um recipiente de combustível limpo quando misturar o combustível.

**Nota:** Não prepare uma quantidade de mistura de combustível para mais de 30 dias.

1. Adicione metade da quantidade de gasolina.
2. Adicione a quantidade total de óleo.
3. Agite a mistura de combustível para misturar o conteúdo.
4. Adicione a restante quantidade de gasolina.

5. Agite a mistura de combustível para misturar o conteúdo.
6. Encha o depósito de combustível.

### Adicionar combustível

- Utilize sempre um recipiente de combustível com uma proteção contra enchimento excessivo.
- Se houver algum combustível no recipiente, retire o combustível indesejado e deixe o recipiente secar.
- Certifique-se de que a área perto da tampa do depósito de combustível está limpa.
- Agite o recipiente de combustível antes de adicionar a mistura de combustível ao depósito de combustível.

### Ligar e desligar

#### Antes de ligar o motor

- Examine o produto quanto a peças em falta, danificadas, soltas ou desgastadas.
- Examine as porcas e os parafusos.
- Examine o filtro de ar.
- Examine se o bloqueio do acelerador e o acelerador estão a funcionar corretamente.
- Examine se o interruptor de paragem está a funcionar corretamente.
- Examine o produto quanto a fugas de combustível.
- Examine se a corrente da serra está afiada e esticada.

#### Arrancar com o motor frio

1. Empurre a bomba de combustível 10 vezes.(Fig. 39 )
2. Puxe o controlo do estrangulador para cima.(Fig. 40 )
3. Pressione o corpo do produto contra o solo com a mão esquerda.(Fig. 41 ) Não pise o produto. Puxe o punho do cabo de arranque lentamente até sentir alguma resistência. Em seguida, puxe o punho do cabo de arranque com vigor.

**Nota:** Não puxe o acelerador enquanto liga o motor.

4. Continue a puxar o punho do cabo de arranque até que o motor arranque ou tente arrancar (puxe no máx. 3 vezes). Se o motor arrancar ou tentar arrancar, puxe o controlo do estrangulador para baixo. Continue a puxar até que o motor arranque. Aguarde 60 segundos depois de um arranque antes de puxar o acelerador.



**CUIDADO:** Não puxe o cabo de arranque até que pare. Não largue o cabo de arranque quando estiver totalmente estendido. Solte o cabo de arranque lentamente. O não cumprimento destas instruções pode causar danos ao motor.

## Arranque com o motor quente

1. Empurre a bomba de combustível 10 vezes.
2. Puxe o cabo de arranque até que o motor arranque.

## Parar

- Empurre o interruptor de paragem para parar o motor.(Fig. 42 )

**Nota:** O interruptor de paragem regressa automaticamente à sua posição inicial.

## Operar o aparador de relva



**CUIDADO:** Certifique-se de que abranda o motor ao ralenti após cada utilização. Um longo período em aceleração total sem carga no motor pode causar danos ao motor.

**Nota:** Limpe a tampa da cabeça do aparador quando montar uma nova linha do aparador para evitar vibrações. Examine outras peças da cabeça do aparador e limpe se necessário.

## Aparar a relva

1. Mantenha a cabeça do aparador um pouco acima do solo a um determinado ângulo.(Fig. 43 ) Não empurre a linha do aparador de relva para a relva.

2. Diminua o comprimento da linha do aparador de relva em 10-12 cm (4-4,75 pol) e diminua a velocidade do motor para reduzir o risco de danos às plantas.
3. Utilize 80% da aceleração quando cortar relva perto de objetos.(Fig. 44 )

## Cortar a relva

1. Certifique-se de que a linha do aparador de relva está paralela ao solo quando cortar.(Fig. 45 )
2. Não empurre a cabeça do aparador para o solo. O solo e o produto podem ser danificados.
3. Não deixe a cabeça do aparador tocar no solo continuamente; pode causar danos à cabeça do aparador.
4. Utilize a aceleração total quando deslocar o produto de um lado para o outro para cortar a relva.(Fig. 46 ) Certifique-se de que a linha do aparador de relva está paralela ao solo.

## Substituir a linha do aparador

(Fig. 47 )  
(Fig. 48 )  
(Fig. 49 )  
(Fig. 50 )  
(Fig. 51 )  
(Fig. 52 )  
(Fig. 53 )  
(Fig. 54 )

# MANUTENÇÃO



**ATENÇÃO:** Certifique-se de que leu e compreendeu o capítulo sobre segurança antes de limpar, reparar ou realizar tarefas de manutenção no produto.

## Esquema de manutenção

Certifique-se de que respeita o esquema de manutenção. Os intervalos são calculados a partir da utilização diária do produto. Os intervalos são diferentes se não utilizar o produto diariamente. Realize apenas tarefas de manutenção descritas neste manual. Fale com um centro de assistência autorizado sobre outras tarefas de manutenção não descritas neste manual.

### Controle semanal

- Limpe as superfícies externas.
- Examine o ralenti.
- Examine a massa lubrificante da engrenagem cônica (eixo reto).

### Controle mensal

- Examine o punho do cabo de arranque e o cabo de arranque.

### Manutenção anual

- Examine a vela de ignição.
- Aplique massa lubrificante na extremidade do eixo motriz (eixo de duas peças).
- Limpe as superfícies externas do carburador e áreas adjacentes.
- Limpe o sistema de arrefecimento.
- Examine a rede retentora de faíscas.
- Examine o filtro de combustível.
- Examine a mangueira de combustível quanto a danos.
- Examine todos os cabos e ligações.

### Manutenção das 50 horas

- Leve o silenciador a um centro de assistência autorizado para reparação ou substituição.

## Ajustar o ralenti

- Certifique-se de que o filtro de ar está limpo e que a cobertura do filtro de ar está montada antes de ajustar a velocidade de ralenti.
- Ajuste o ralenti com o parafuso em T de ajuste do ralenti, identificado com a marca "T".
- O ralenti está correto se o motor funcionar suavemente em todas as posições. O ralenti tem de

ser inferior à velocidade se o acessório de corte começar a rodar.

1. Rode o parafuso de ajuste do ralenti para a direita até o acessório de corte começar a rodar.(Fig. 55 )
2. Rode o parafuso de ajuste do ralenti para a esquerda até o acessório de corte parar.

## Realizar tarefas de manutenção na rede retentora de faíscas

Utilize uma escova metálica para limpar a rede retentora de faíscas.  
(Fig. 56 )

## Limpar o sistema de arrefecimento

Limpe as peças do sistema de arrefecimento com uma escova.  
(Fig. 57 )

## Examinar a vela de ignição



**CUIDADO:** Utilize a vela de ignição recomendada. Certifique-se de que a peça de substituição é idêntica à peça fornecida pelo fabricante. Uma vela de ignição incorreta pode causar danos ao produto.

1. Examine a vela de ignição se:
  - a) o motor estiver com baixa potência.
  - b) for difícil ligar o motor.
  - c) o motor não funcionar corretamente ao ralenti.
2. Se não for fácil ligar ou operar o motor, examine a vela de ignição quanto a materiais indesejados. Para diminuir o risco de materiais indesejados nos elétrodos da vela de ignição:
  - a) certifique-se de que o ralenti está corretamente ajustado.
  - b) certifique-se de que a mistura de combustível está correta.
  - c) certifique-se de que o filtro de ar está limpo.
3. Limpe a vela de ignição se estiver suja. Verifique se a distância entre os elétrodos é a correta.(Fig. 58 )
4. Substitua a vela de ignição quando necessário.

## Aplicar massa lubrificante no eixo de duas peças

- Aplique massa lubrificante na extremidade do eixo motriz após cada 30 horas de funcionamento.(Fig. 59 )

## Realizar tarefas de manutenção do filtro de ar

### Para limpar o filtro de ar

1. Retire a cobertura do filtro de ar e o filtro de ar.(Fig. 60 )
2. Limpe o filtro de ar com água quente com sabão. Certifique-se de que o filtro de ar está seco antes de o instalar.
3. Substitua o filtro de ar caso esteja demasiado sujo para o limpar totalmente. Substitua sempre um filtro de ar danificado.
4. Se o seu produto possui um filtro de ar de espuma, aplique óleo do filtro de ar. Aplique apenas óleo do filtro de ar a um filtro de espuma. Não aplique óleo a um filtro de feltro.

### Aplicar óleo do filtro de ar ao filtro de ar



**CUIDADO:** Utilize sempre óleo do filtro de ar especial em filtros de ar de espuma. Não utilize outros tipos de óleo.



**ATENÇÃO:** Não deixe o óleo entrar em contacto com o seu corpo.

1. Retire a cobertura do filtro de ar e o filtro de ar.(Fig. 61 )
2. Coloque o filtro de ar num saco de plástico.
3. Coloque o óleo do filtro de ar no saco de plástico. (Fig. 62 )
4. Empurre o saco de plástico para se certificar de que o óleo é fornecido uniformemente através do filtro de ar.
5. Empurre o filtro de ar, enquanto estiver no saco, para remover o óleo do filtro de ar que não seja necessário. Remova o filtro de ar do saco.
6. Instale o filtro de ar.

## Adicionar massa lubrificante à engrenagem cônica

Certifique-se de que a engrenagem cônica apresenta 3/4 do volume total de massa lubrificante.

(Fig. 63 )

## ESPECIFICAÇÕES TÉCNICAS

	uni- dade	129C (A05328CCHV)	129L (A05328CSHV)	129LK (A05328CSHV)
<b>Especificações do motor</b>				
Cilindrada	cm <sup>3</sup>	27,6	27,6	27,6
Distância entre os eléctrodos	mm	0,5	0,5	0,5
Volume do depósito de combustível	cm <sup>3</sup>	343	343	343
Ralenti	min <sup>-1</sup>	2800 - 3200	2800 - 3200	2800 - 3200
Velocidade da potência máxima	min <sup>-1</sup>	8000	8000	8000
Potência útil	kW	0,85	0,85	0,85
Vela de ignição		Husqvarna HQT-4	Husqvarna HQT-4	Husqvarna HQT-4
Rotação máxima do eixo de saída	min <sup>-1</sup>	8500	7200	7200
<b>Dados de ruído e vibração</b>				
Nível de vibração equivalente (ahv, eq) punho esquerdo - ver nota 1	m/s <sup>2</sup>	3,64	9,9	9,9
Nível de vibração equivalente (ahv, eq) punho direito - ver nota 1	m/s <sup>2</sup>	3,59	8,9	8,9
Nível de potência sonora, garantida (L <sub>WA</sub> ) - ver nota 2	dB(A)	114	114	114
Nível de potência sonora, medido - ver nota 2	dB(A)	106	105	106
Nível de pressão sonora no ouvido do operador - ver nota 3	dB(A)	93	95	95
<b>Dimensões do produto</b>				
Peso (sem equipamento de corte)	kg	4,61	5,21	5,98
<p><b>Obs.1:</b> os dados comunicados relativamente ao nível de vibração equivalente têm uma dispersão estatística típica (desvio padrão) de 1 m/s<sup>2</sup>.</p> <p><b>Nota 2:</b> Emissões de ruído para as imediações, medidas sob forma de potência sonora (L<sub>WA</sub>) em conformidade com a diretiva da CE 2000/14/CE. o nível de potência sonora registado para a máquina foi medido com o equipamento de corte original que debita o nível mais alto. A diferença entre a potência sonora garantida e medida é que a potência sonora garantida inclui também a dispersão no resultado da medição e as variações entre diferentes máquinas do mesmo modelo, de acordo com a diretiva 2000/14/CE.</p> <p><b>Nota 3:</b> Os dados registados para o nível de pressão sonora equivalente para a máquina têm uma dispersão estatística típica (desvio padrão) de 1 dB (A).</p>				



# ACESSÓRIOS

129C		
Acessórios aprovados	Tipo	Proteção do acessório de corte
Eixo de rosca (3/8 R)		
Cabeçote de recorte	T25 (Ø 2,0 - 2,4 mm)	580 44 66-10
129L, 129LK		
Acessórios aprovados	Tipo	Proteção do acessório de corte
Eixo roscado (M10L)		
Cabeçote de recorte	T25 (Ø 2,0 - 2,4 mm)	580 44 66-06

Acessórios opcionais	Tipo	Aplicado em
Acessório varredor com tubo	SR600	129LK
Acessório corta-sebes com tubo	HA850	129LK
Acessório de recortador de cantos com tubo	EA850	129LK
Acessório de serra com tubo	PA1100	129LK
Acessório do cultivador com tubo	CA150	129LK
Acessório do aparador de relva com tubo	TA850	129LK
Acessório de serra com tubo	PAX1100	129LK
Acessório de serra com tubo	PAX730	129LK

## CONTEÚDO DA DECLARAÇÃO DE CONFORMIDADE DA UE

A Husqvarna AB, SE 561 82 Huskvarna, SUÉCIA, declara, sob sua inteira responsabilidade, que o produto representado:

está em plena conformidade com as seguintes diretivas e regulamentos da UE:

Descrição	Aparador de relva/roçadora a gasolina
Marca	Husqvarna
Plataforma/Tipo/Modelo	Plataforma A05328CCHV, representando o modelo 129C  Plataforma A05328CSHV, representando os modelos 129L e 129LK
Lote	Número de série referente a 2013 e posteriores

Diretiva/Regulamento	Descrição
2006/42/CE	"relativa a máquinas"
2014/30/UE	"relativa à compatibilidade eletromagnética"
2000/14/CE	"relativa ao ruído exterior"

As normas harmonizadas e/ou especificações técnicas aplicadas são as que se seguem: EN ISO 12100, EN ISO 11806-1, CISPR 12, ISO 14982

Em conformidade com a Diretiva 2000/14/CE, Anexo V, os valores de som declarados são indicados na secção de especificações técnicas deste manual e na Declaração de conformidade da CE assinada.

A TÜV Rheinland N.A. executou um controlo voluntário em nome da Husqvarna AB, de modo a fornecer um Certificado de conformidade com a Diretiva 2006/42/CE do Conselho da CE relativa a máquinas.

O certificado, conforme fornecido na Declaração de conformidade da CE assinada, é aplicável a todos os locais de fabrico e países de origem, conforme indicado no produto.

O aparador de relva e/ou a roçadora a gasolina fornecidos estão em conformidade com o exemplo que foi examinado.

## Περιεχόμενα

ΕΙΣΑΓΩΓΗ.....	123	ΤΕΧΝΙΚΑ ΣΤΟΙΧΕΙΑ.....	131
ΑΣΦΑΛΕΙΑ.....	124	ΑΞΕΣΟΥΑΡ.....	132
ΣΥΝΑΡΜΟΛΟΓΗΣΗ.....	127	ΠΕΡΙΕΧΟΜΕΝΑ ΤΗΣ ΔΗΛΩΣΗΣ	
ΛΕΙΤΟΥΡΓΙΑ.....	128	ΣΥΜΜΟΡΦΩΣΗΣ ΕΚ.....	133
ΣΥΝΤΗΡΗΣΗ.....	130	.....	0

## ΕΙΣΑΓΩΓΗ

### Εγχειρίδιο χρήσης

Η αρχική γλώσσα του παρόντος εγχειριδίου χρήσης είναι τα Αγγλικά. Τα εγχειρίδια χρήσης σε άλλες γλώσσες είναι μεταφράσεις από τα Αγγλικά.

### Επισκόπηση

(Εικ. 1 )

1. Κεφαλή χορτοκοπτικού
2. Τάπα πλήρωσης γράσου
3. Κωνικό γρανάζι
4. Προστατευτικό παρελκομένου κοπής
5. Άξονας
6. Σύνδεσμος άξονα
7. Χειρολαβή τύπου βρόγχου
8. Σκανδάλη γκαζιού
9. Διακόπτης διακοπής λειτουργίας
10. Ασφάλεια σκανδάλης γκαζιού
11. Καπάκι μπουζί, μπουζί
12. Περιβλήμα συστήματος εκκίνησης
13. Λαβή εκκίνησης
14. Ντεπόζιτο καυσίμου
15. Κάλυμμα φίλτρου αέρα
16. Φούσκα πλήρωσης
17. Χειριστήριο τσοκ
18. Δίσκος μετάδοσης
19. Εγχειρίδιο χρήσης

### Σύμβολα στο προϊόν

(Εικ. 2 ) Προειδοποίηση

(Εικ. 3 ) Διαβάστε το παρόν εγχειρίδιο.

(Εικ. 4 ) Χρησιμοποιήστε εγκεκριμένα προστατευτικά κεφαλής.

(Εικ. 5 ) Χρησιμοποιήστε εγκεκριμένα προστατευτικά ακοής.

(Εικ. 6 ) Χρησιμοποιήστε εγκεκριμένη προστασία των ματιών.

(Εικ. 7 ) Χρησιμοποιήστε εγκεκριμένα προστατευτικά γάντια.

(Εικ. 8 ) Χρησιμοποιήστε προστατευτικά παπούτσια/μπότες.

(Εικ. 9 ) Το προϊόν μπορεί να προκαλέσει την εκτίναξη αντικειμένων, τα οποία μπορούν να προκαλέσουν ζημιά στα μάτια.

(Εικ. 10 ) Το προϊόν μπορεί να προκαλέσει την εκτίναξη αντικειμένων, τα οποία μπορούν να προκαλέσουν ζημιά στα μάτια.

(Εικ. 11 ) Μέγιστη ταχύτητα του άξονα εξαγωγής.

(Εικ. 12 ) Απόσταση ασφαλείας

(Εικ. 13 ) Χρησιμοποιήστε μόνο εγκεκριμένη μεσινέζα χορτοκοπτικού. Μην χρησιμοποιήσετε λεπίδα.

(Εικ. 14 ) Μην χρησιμοποιήσετε μεταλλικό παρελκόμενο κοπής.

(Εικ. 15 ) Βεβαιωθείτε ότι εάν έχετε μακριά μαλλιά, βρίσκονται πάνω από τους ώμους σας.

(Εικ. 16 ) Τα βέλη δείχνουν τα όρια για τη θέση της λαβής.

(Εικ. 17 ) Επίπεδο ηχητικής ισχύος.

(Εικ. 18 ) Επίπεδο θορύβου

(Εικ. 19 ) Το προϊόν συμμορφώνεται με τις ισχύουσες οδηγίες ΕΚ.

(Εικ. 20 ) Το προϊόν συμμορφώνεται με τις ισχύουσες οδηγίες EAC.

(Εικ. 21 ) Το προϊόν συμμορφώνεται με τις ισχύουσες οδηγίες Ουκρανίας.

**Περιεχόμενα** Άλλα σύμβολα/σήματα που υπάρχουν στο προϊόν αναφέρονται σε απαιτήσεις πιστοποίησης για άλλες εμπορικές περιοχές.

## Ευθύνη προϊόντος

Όπως αναφέρεται στη νομοθεσία περί ευθύνης για τα προϊόντα, δεν φέρουμε καμία ευθύνη για ζημιές που οφείλονται στο προϊόν μας εάν:

- Το προϊόν έχει επισκευαστεί λανθασμένα.
- Το προϊόν έχει επισκευαστεί με εξαρτήματα που δεν προέρχονται από τον κατασκευαστή ή που δεν έχουν εγκριθεί από τον κατασκευαστή.
- Το προϊόν διαθέτει ένα αξεσουάρ που δεν προέρχεται από τον κατασκευαστή ή που δεν έχει εγκριθεί από τον κατασκευαστή.
- Το προϊόν δεν έχει επισκευαστεί σε εγκεκριμένο κέντρο σέρβις ή από εγκεκριμένη αρχή.

## ΑΣΦΑΛΕΙΑ

### Ορισμοί για την ασφάλεια

Οι παρακάτω ορισμοί παρέχουν το βαθμό σοβαρότητας για κάθε προειδοποιητική λέξη.



**ΠΡΟΕΙΔΟΠΟΙΗΣΗ:** Τραυματισμός ατόμων.



**ΠΡΟΣΟΧΗ:** Ζημιά του προϊόντος.

**Περιεχόμενα** Αυτές οι πληροφορίες διευκολύνουν τη χρήση του προϊόντος.

### Γενικές οδηγίες ασφαλείας

- Χρησιμοποιήστε σωστά το προϊόν. Λόγω της ασφαλέμενης χρήσης μπορεί να προκληθεί τραυματισμός ή θάνατος. Χρησιμοποιήστε το προϊόν μόνο για τις εργασίες που αναφέρονται στο παρόν εγχειρίδιο. Μην χρησιμοποιείτε το προϊόν για άλλες εργασίες.
- Τηρείτε τις οδηγίες του παρόντος εγχειρίδιου. Τηρείτε τα σύμβολα ασφαλείας και τις οδηγίες ασφαλείας. Εάν ο χειριστής δεν τηρεί τις οδηγίες και τα σύμβολα, μπορεί να προκληθεί τραυματισμός, ζημιά ή θάνατος.
- Μην απορρίψετε αυτό το εγχειρίδιο. Χρησιμοποιήστε τις οδηγίες για τη συναρμολόγηση, τη χρήση και τη διατήρηση του προϊόντος σε καλή κατάσταση. Χρησιμοποιήστε τις οδηγίες για τη σωστή εγκατάσταση των εξαρτημάτων και των παρελκόμενων. Να χρησιμοποιείτε μόνο εγκεκριμένα εξαρτήματα και παρελκόμενα.
- Να μην χρησιμοποιείτε προϊόντα που παρουσιάζουν ζημιά. Να τηρείτε το πρόγραμμα συντήρησης. Να εκτελείτε μόνο τις εργασίες συντήρησης που αναφέρονται σε οδηγίες του παρόντος εγχειρίδιου. Όλες οι υπόλοιπες εργασίες συντήρησης πρέπει να εκτελούνται από ένα εγκεκριμένο κέντρο σέρβις.
- Το παρόν εγχειρίδιο δεν περιλαμβάνει όλες τις καταστάσεις που μπορεί να προκύψουν κατά τη χρήση του προϊόντος. Να είστε προσεκτικοί και να χρησιμοποιείτε την κοινή λογική. Να μην χρησιμοποιείτε το προϊόν και μην εκτελείτε συντήρηση σε αυτό, εάν δεν είστε σίγουροι για την

κατάσταση. Απευθυνθείτε σε έναν ειδικό για το προϊόν, τον αντιπρόσωπό σας, τον αντιπρόσωπο σέρβις ή ένα εγκεκριμένο κέντρο σέρβις για πληροφορίες.

- Αποσυνδέστε το καλώδιο του μπουζί πριν από τη συναρμολόγηση του προϊόντος, την τοποθέτησή του στην περιοχή αποθήκευσης ή την εκτέλεση εργασιών συντήρησης.
- Μην χρησιμοποιείτε το προϊόν εάν τροποποιηθεί από τις αρχικές του προδιαγραφές. Μην αλλάξετε ένα εξάρτημα του προϊόντος χωρίς έγκριση από τον κατασκευαστή. Χρησιμοποιήστε μόνο εξαρτήματα που έχουν εγκριθεί από τον κατασκευαστή. Λόγω της εσφαλμένης συντήρησης μπορεί να προκληθεί τραυματισμός ή θάνατος.
- Μην αναπνέετε τα καυσαέρια από τον κινητήρα. Η μακροχρόνια εισπνοή αναθυμιάσεων της εξάτμισης του κινητήρα είναι επικίνδυνη για την υγεία.
- Μην θέτετε το προϊόν σε λειτουργία σε εσωτερικό χώρο ή κοντά σε εύφλεκτα υλικά. Οι αναθυμιάσεις της εξάτμισης είναι καυτές και μπορεί να περιέχουν σπινθήρες που μπορεί να προκαλέσουν πυρκαγιά. Η ανεπαρκής ροή αέρα μπορεί να προκαλέσει τραυματισμό ή θάνατο λόγω ασφυξίας ή μονοξειδίου του άνθρακα.
- Όταν χρησιμοποιείτε αυτό το προϊόν, ο κινητήρας δημιουργεί ηλεκτρομαγνητικό πεδίο. Το ηλεκτρομαγνητικό πεδίο μπορεί να προκαλέσει ζημιά στα ιατρικά εμφυτεύματα. Προτού χρησιμοποιήσετε το προϊόν, συμβουλευθείτε το γιατρό σας ή τον κατασκευαστή του ιατρικού εμφυτεύματος.
- Μην επιτρέψετε σε παιδιά να χρησιμοποιήσουν το προϊόν. Μην αφήνετε να χρησιμοποιήσουν το προϊόν άτομα που δεν έχουν διαβάσει τις οδηγίες.
- Φροντίστε να παρακολουθείτε πάντα τα άτομα με μειωμένες σωματικές ή διανοητικές ικανότητες που χρησιμοποιούν το προϊόν. Πρέπει να είναι παρών ένας υπεύθυνος ενήλικας ανά πάσα στιγμή.
- Ασφαλίστε το προϊόν σε σημείο στο οποίο δεν έχουν πρόσβαση παιδιά και μη εγκεκριμένα άτομα.
- Το προϊόν μπορεί να εκπνέει αντικείμενα και να προκληθούν τραυματισμοί. Τηρείτε τις οδηγίες ασφαλείας για να μειώσετε τον κίνδυνο τραυματισμού ή θανάτου.
- Μην απομακρύνετε από το προϊόν όταν ο κινητήρας είναι σε λειτουργία.

- Ο χειριστής του προϊόντος είναι υπεύθυνος σε περίπτωση ατυχήματος.
- Βεβαιωθείτε ότι τα εξαρτήματα δεν έχουν υποστεί ζημιά πριν χρησιμοποιήσετε το προϊόν.
- Βεβαιωθείτε ότι είστε σε απόσταση τουλάχιστον 15 m (50 ft) από άλλα άτομα ή ζώα πριν χρησιμοποιήσετε το προϊόν. Βεβαιωθείτε ότι τυχόν άτομα σε κοντινή περιοχή γνωρίζουν ότι θα χρησιμοποιήσετε το προϊόν.
- Ανατρέξτε στην εθνική ή τοπική νομοθεσία. Μπορεί να εμποδίσει ή να μειώσει τη λειτουργία του προϊόντος σε ορισμένες περιπτώσεις.
- Μην χρησιμοποιείτε το προϊόν αν είστε κουρασμένοι ή υπό την επήρεια αλκοόλ, ναρκωτικών ή φαρμάκων. Μπορεί να επηρεαστεί αρνητικά η όραση, η εγρήγορση, ο συντονισμός ή η κρίση σας.

## Οδηγίες ασφαλείας για τη λειτουργία

- Βεβαιωθείτε ότι το προϊόν είναι πλήρως συναρμολογημένο πριν από τη χρήση του.
- Πριν από την εκκίνηση, μετακινήστε το προϊόν σε απόσταση 3 m (10 ft) από το σημείο όπου γεμίσατε το ντεπόζιτο καυσίμου. Τοποθετήστε το προϊόν σε επίπεδη επιφάνεια. Βεβαιωθείτε ότι το παρελκόμενο κοπής δεν έρχεται σε επαφή με το έδαφος ή με άλλα αντικείμενα.
- Το προϊόν μπορεί να προκαλέσει την εκτίναξη αντικείμενων, τα οποία μπορούν να προκαλέσουν ζημιά στα μάτια. Χρησιμοποιήστε πάντα εγκεκριμένη προστασία των ματιών κατά τη χρήση του προϊόντος.
- Να είστε προσεκτικοί! Ένα παιδί μπορεί να πλησιάσει το προϊόν εν αγνοία σας κατά τη διάρκεια της λειτουργίας.
- Μην χρησιμοποιείτε το προϊόν εάν υπάρχουν άτομα στο χώρο εργασίας. Σταματήστε τη λειτουργία του προϊόντος εάν ένα άτομο μπει στο χώρο εργασίας.
- Βεβαιωθείτε ότι έχετε πάντα τον έλεγχο του προϊόντος.
- Μην χρησιμοποιείτε το προϊόν εάν δεν μπορείτε να λάβετε βοήθεια σε περίπτωση ατυχήματος. Διασφαλίστε πάντα ότι τα υπόλοιπα άτομα γνωρίζουν ότι θα χρησιμοποιήσετε το προϊόν πριν ξεκινήσετε να το χρησιμοποιήσετε.
- Μην γυρίζετε με το προϊόν πριν να βεβαιωθείτε ότι δεν υπάρχουν άτομα ή ζώα στην περιοχή ασφαλείας.
- Απομακρύνετε όλα τα ανεπιθύμητα υλικά από την περιοχή εργασίας πριν ξεκινήσετε. Εάν το παρελκόμενο κοπής χτυπήσει κάποιο αντικείμενο, το αντικείμενο μπορεί να εκτιναχθεί και να προκληθεί τραυματισμός ή ζημιά. Γύρω από το παρελκόμενο κοπής μπορεί να τυλιχθεί ανεπιθύμητο υλικό και να προκαλέσει ζημιά.
- Μην χρησιμοποιείτε το προϊόν σε κακές καιρικές συνθήκες (ομίχλη, βροχή, ισχυρούς ανέμους, κίνδυνο κεραυνού ή άλλες καιρικές συνθήκες). Μπορεί να προκύψουν επικίνδυνες συνθήκες (όπως ολισθηρές επιφάνειες) λόγω κακοκαιρίας.
- Φροντίστε να είστε σε θέση να μετακινήσετε ελεύθερα και να εργάζεστε σε σταθερή θέση.

(Εικ. 22 )

- Βεβαιωθείτε ότι δεν μπορείτε να πέσετε όταν χρησιμοποιείτε το προϊόν. Μην γέρνετε όταν χρησιμοποιείτε το προϊόν.
- Κρατάτε πάντα το προϊόν και με τα δύο σας χέρια. Να κρατάτε το προϊόν στη δεξιά πλευρά του σώματός σας.

(Εικ. 23 )

- Χρησιμοποιήστε το προϊόν με το παρελκόμενο κοπής κάτω από τη μέση σας.
- Εάν το χειριστήριο τσοκ βρίσκεται στη θέση του τσοκ κατά την εκκίνηση του κινητήρα, το παρελκόμενο κοπής αρχίζει να περιστρέφεται.
- Μην αγγίζετε το κωνικό γρανάζι μετά το σβήσιμο του κινητήρα. Το κωνικό γρανάζι είναι καυτό μετά το σβήσιμο του κινητήρα. Οι καυτές περιοχές μπορεί να προκαλέσουν τραυματισμό.
- Σβήστε τον κινητήρα πριν μετακινήσετε το προϊόν.
- Μην ακουμπάτε το προϊόν με τον κινητήρα σε λειτουργία.
- Πριν απομακρύνετε τα ανεπιθύμητα υλικά από το προϊόν, σβήστε τον κινητήρα και περιμένετε μέχρι να σταματήσει το παρελκόμενο κοπής. Αφήστε το παρελκόμενο κοπής να σταματήσει προτού το κομμένο υλικό να απομακρυνθεί από εσάς ή ένα βοηθό.

## Προσωπικός εξοπλισμός προστασίας

- Χρησιμοποιείτε πάντα σωστό προσωπικό εξοπλισμό προστασίας κατά τη χρήση του προϊόντος. Ο προσωπικός εξοπλισμός προστασίας δεν εξαλείφει τον κίνδυνο τραυματισμού. Ο προσωπικός εξοπλισμός προστασίας μειώνει το βαθμό τραυματισμού σε περίπτωση ατυχήματος.
- Χρησιμοποιήστε πάντα εγκεκριμένη προστασία των ματιών κατά τη χρήση του προϊόντος.
- Μην χρησιμοποιείτε το προϊόν με γυμνά πόδια ή με ανοικτά παπούτσια. Χρησιμοποιήστε πάντοτε αντιολισθητικές μπότες βαρέος τύπου.
- Χρησιμοποιήστε χοντρά, μακριά παντελόνια.
- Εάν είναι απαραίτητο, χρησιμοποιήστε εγκεκριμένα προστατευτικά γάντια.
- Χρησιμοποιήστε κράνος εάν υπάρχει πιθανότητα να πέσουν αντικείμενα στο κεφάλι σας.
- Χρησιμοποιήστε πάντα εγκεκριμένη προστασία αυτιών κατά τη χρήση του προϊόντος. Τυχόν θόρυβος για μεγάλο χρονικό διάστημα μπορεί να προκαλέσει θορυβογενή απώλεια ακοής.
- Βεβαιωθείτε ότι υπάρχει ένα κιτ πρώτων βοηθειών σε μικρή απόσταση.

## Προστατευτικές διατάξεις στο προϊόν

- Βεβαιωθείτε ότι εκτελείτε τακτική συντήρηση στο προϊόν.
  - Αυξάνεται η διάρκεια ζωής του προϊόντος.
  - Μειώνεται ο κίνδυνος ατυχημάτων.

Ένας εγκεκριμένος αντιπρόσωπος ή ένα εγκεκριμένο κέντρο σέρβις πρέπει να εξετάζει τακτικά τα προϊόν για την εκτέλεση ρυθμίσεων ή επισκευών.

- Μην χρησιμοποιείτε προϊόντα με κατεστραμμένο εξοπλισμό προστασίας. Εάν το προϊόν έχει υποστεί ζημιά, απευθυνθείτε σε ένα εγκεκριμένο κέντρο σέρβις.

## Ασφάλεια σκανδάλης γκαζιού

Η ασφάλεια της σκανδάλης γκαζιού κλειδώνει τη σκανδάλη γκαζιού.

(Εικ. 24 )

Πιέστε την ασφάλεια σκανδάλης γκαζιού (Α) για να απασφαλίσετε τη σκανδάλη γκαζιού (Β). Όταν αφήσετε τη λαβή, η ασφάλεια σκανδάλης γκαζιού και η σκανδάλη γκαζιού επιστρέφουν στις αρχικές τους θέσεις.

1. Βεβαιωθείτε ότι η σκανδάλη γκαζιού (Β) είναι ασφαλισμένη στο ρελαντί όταν αφήνετε την ασφάλεια σκανδάλης γκαζιού (Α).
2. Πιέστε την ασφάλεια σκανδάλης γκαζιού (Α) και βεβαιωθείτε ότι επιστρέφει στην αρχική της θέση όταν την αφήνετε.
3. Πιέστε τη σκανδάλη γκαζιού (Β) και βεβαιωθείτε ότι επιστρέφει στην αρχική της θέση όταν την αφήνετε.

Βάλτε μπροστά τον κινητήρα και κατόπιν ανοίξτε τέρμα το γκάζι. Αφήστε τη σκανδάλη γκαζιού και ελέγξτε εάν σταματά το παρελκόμενο κοπής. Εάν το παρελκόμενο κοπής περιστρέφεται με το γκάζι στη θέση ρελαντί, εξετάστε τη βίδα ρύθμισης ρελαντί του καρμπυρατέρ.

## Διακόπτης διακοπής λειτουργίας

Βάλτε μπροστά τον κινητήρα. Βεβαιωθείτε ότι ο κινητήρας σβήνει όταν μετακινείτε το διακόπτη λειτουργίας στη θέση διακοπής λειτουργίας.

(Εικ. 25 )

## Προστατευτικό παρελκόμενου κοπής

Το προστατευτικό παρελκόμενου κοπής εμποδίζει την εκτίναξη σκόρπιων αντικειμένων προς την κατεύθυνση του χειριστή.

(Εικ. 26 )

Εξετάστε το προστατευτικό παρελκόμενου κοπής για ζημιά και αντικαταστήστε το, εάν έχει υποστεί ζημιά. Χρησιμοποιήστε μόνο το εγκεκριμένο προστατευτικό για το παρελκόμενο κοπής.

## Εξάτμιση (σιγαστήρας)

- Μην χρησιμοποιείτε κινητήρα με κατεστραμμένη εξάτμιση (σιγαστήρας). Η κατεστραμμένη εξάτμιση (σιγαστήρας) αυξάνει το επίπεδο θορύβου και τον κίνδυνο φωτιάς. Πρέπει να υπάρχει σε μικρή απόσταση πυροσβεστήρας.
- Εξετάζετε τακτικά ότι η εξάτμιση (σιγαστήρας) είναι προσαρτημένη στο προϊόν.
- Μην αγγίζετε τον κινητήρα ή την εξάτμιση (σιγαστήρας) όταν ο κινητήρας είναι σε λειτουργία. Μην αγγίζετε τον κινητήρα ή την εξάτμιση (σιγαστήρας) για ένα διάστημα μετά το σβήσιμο του

κινητήρα. Οι καυτές επιφάνειες μπορεί να προκαλέσουν τραυματισμούς.

- Η καυτή εξάτμιση (σιγαστήρας) μπορεί να προκαλέσει πυρκαγιά. Να είστε προσεκτικοί εάν χρησιμοποιείτε το προϊόν κοντά σε εύφλεκτα υγρά ή αέρια.
- Μην αγγίζετε τα εξαρτήματα στην εξάτμιση (σιγαστήρας), εάν η εξάτμιση έχει υποστεί ζημιά. Τα εξαρτήματα μπορεί να περιέχουν μερικές καρκινογόνες χημικές ουσίες.

## Παρελκόμενο κοπής

- Εκτελείτε τις τακτικές εργασίες συντήρησης. Ένα εγκεκριμένο κέντρο σέρβις πρέπει να εξετάζει τακτικά το παρελκόμενο κοπής για την εκτέλεση ρυθμίσεων ή επισκευών.
- Αυξάνεται η απόδοση του παρελκόμενου κοπής.
- Αυξάνεται η διάρκεια ζωής του παρελκόμενου κοπής.
- Μειώνεται ο κίνδυνος ατυχημάτων.
- Χρησιμοποιήστε μόνο εγκεκριμένο προστατευτικό παρελκόμενου κοπής. Για περισσότερες πληροφορίες, βλ. *ΤΕΧΝΙΚΑ ΣΤΟΙΧΕΙΑ στη σελίδα 131*.
- Μην χρησιμοποιείτε παρελκόμενα κοπής που παρουσιάζουν ζημιά.

## Κεφαλή χορτοκοπτικού

- Βεβαιωθείτε ότι τυλίγεται τη μεσινέζα χορτοκοπτικού σφιχτά και ομοιόμορφα γύρω από την καμπίνα, για να μειώσετε τους κραδασμούς.
- Χρησιμοποιήστε μόνο εγκεκριμένες κεφαλές χορτοκοπτικού και μεσινέζες χορτοκοπτικού. Ανατρέξτε στην ενότητα *ΤΕΧΝΙΚΑ ΣΤΟΙΧΕΙΑ στη σελίδα 131*.
- Χρησιμοποιήστε το σωστό μήκος μεσινέζας χορτοκοπτικού. Η μεσινέζα χορτοκοπτικού για ψηλό γρασίδι χρησιμοποιεί περισσότερη ισχύ κινητήρα σε σύγκριση με μια μεσινέζα χορτοκοπτικού για κοντό γρασίδι.
- Βεβαιωθείτε ότι το κοπτικό εργαλείο στο προστατευτικό παρελκόμενου κοπής δεν έχει υποστεί ζημιά.
- Εμποτίστε τη μεσινέζα χορτοκοπτικού σε νερό για 2 ημέρες πριν την προσαρτήσετε στο προϊόν. Αυτό αυξάνει τη διάρκεια ζωής της μεσινέζας χορτοκοπτικού.

## Ασφάλεια καυσίμου

- Μην θέτετε το προϊόν σε λειτουργία, εάν υπάρχει καύσιμο ή λάδι κινητήρα στο προϊόν. Αφαιρέστε το ανεπιθύμητο καύσιμο/λάδι και αφήστε το προϊόν να στεγνώσει. Αφαιρέστε το ανεπιθύμητο καύσιμο από το προϊόν.
- Εάν χύσετε καύσιμο στα ρούχα σας, αλλάξτε τα αμέσως.
- Μην χύσετε καύσιμο στο σώμα σας, καθώς μπορεί να προκληθεί τραυματισμός. Εάν χύσετε καύσιμο στο

σώμα σας, χρησιμοποιήστε σαπουνόνερο για να αφαιρέσετε το καύσιμο.

- Μην βάλετε μπροστά τον κινητήρα εάν χύσετε λάδι ή καύσιμο στο προϊόν ή στο σώμα σας.
- Μην θέσετε το προϊόν σε λειτουργία, εάν ο κινητήρας έχει διαρροή. Εξετάζετε τακτικά τον κινητήρα για διαρροές.
- Να είστε προσεκτικοί με το καύσιμο. Το καύσιμο είναι εύφλεκτο και οι αναθυμιάσεις είναι εκρηκτικές και μπορούν να προκαλέσουν τραυματισμό ή θάνατο.
- Μην εισπνεύσετε τις αναθυμιάσεις καυσίμου, καθώς μπορεί να προκληθεί τραυματισμός. Βεβαιωθείτε ότι υπάρχει επαρκής ροή αέρα.
- Μην καπνίζετε κοντά στο καύσιμο ή τον κινητήρα.
- Μην τοποθετείτε ζεστά αντικείμενα κοντά στο καύσιμο ή τον κινητήρα.
- Μην προσθέτετε καύσιμο όταν λειτουργεί ο κινητήρας.
- Βεβαιωθείτε ότι ο κινητήρας έχει κρυώσει πριν από τον ανεφοδιασμό.
- Πριν από τον ανεφοδιασμό, ανοίξτε αργά την τάπα του ντεπόζιτου καυσίμου και εκτονώστε προσεκτικά την πίεση.
- Μην προσθέτετε καύσιμο στον κινητήρα σε εσωτερικό χώρο. Η ανεπαρκής ροή αέρα μπορεί να προκαλέσει τραυματισμό ή θάνατο λόγω ασφυξίας ή μονοξειδίου του άνθρακα.
- Σφίξτε προσεκτικά την τάπα του ντεπόζιτου καυσίμου, διαφορετικά μπορεί να προκληθεί πυρκαγιά.
- Πριν από την εκκίνηση, μετακινήστε το προϊόν σε απόσταση τουλάχιστον 3 m (10 ft) από το σημείο όπου γεμίσατε το ντεπόζιτο.

- Μην προσθέτετε υπερβολική ποσότητα καυσίμου στο ντεπόζιτο καυσίμου.
- Βεβαιωθείτε ότι δεν μπορεί να προκληθεί διαρροή όταν μετακινείτε το προϊόν ή το δοχείο καυσίμου.
- Μην τοποθετείτε το προϊόν ή ένα δοχείο καυσίμου όπου υπάρχουν ακάλυπτες φλόγες, σπινθήρες ή φλόγιστρα. Βεβαιωθείτε ότι στην περιοχή αποθήκευσης δεν υπάρχουν ακάλυπτες φλόγες.
- Χρησιμοποιήστε μόνο εγκεκριμένα δοχεία όταν μετακινείτε το καύσιμο ή προσθέτετε το καύσιμο στην περιοχή αποθήκευσης.
- Αδειάζετε το ντεπόζιτο καυσίμου πριν από μακροχρόνια αποθήκευση. Τηρείτε την τοπική νομοθεσία σχετικά με την περιοχή απόρριψης καυσίμων.
- Καθαρίζετε το προϊόν πριν από μακροχρόνια αποθήκευση.
- Αφαιρέστε το καλώδιο του μπουζί πριν να τοποθετήσετε το προϊόν στην περιοχή αποθήκευσης, για να βεβαιωθείτε ότι ο κινητήρας δεν θα εκκινηθεί ακούσια.

## Οδηγίες ασφαλείας για τη συντήρηση

- Εάν δεν μπορείτε να ρυθμίσετε τις στροφές ανά λεπτό ρελαντί για να σταματήσει το παρελκόμενο κοπής, απευθυνθείτε στο κέντρο σέρβις. Μην χρησιμοποιείτε το προϊόν μέχρι να ρυθμιστεί σωστά ή να επισκευαστεί.

---

## ΣΥΝΑΡΜΟΛΟΓΗΣΗ

---



**ΠΡΟΕΙΔΟΠΟΙΗΣΗ:** Διαβάστε το κεφάλαιο που αφορά την ασφάλεια πριν από τη συναρμολόγηση του προϊόντος.

### Για να προσαρτήσετε τη χειρολαβή τύπου βρόγχου

1. Στερεώστε τη χειρολαβή τύπου βρόγχου στον άξονα σύμφωνα με την εικόνα και σφίξτε την.(Εικ. 27 )
2. Βεβαιωθείτε ότι η χειρολαβή τύπου βρόγχου προσαρτάται ανάμεσα στα βέλη στον άξονα.

### Για να συναρμολογήσετε τον άξονα δύο τμημάτων

1. Γυρίστε τον τροχίσκο για να χαλαρώσετε το σύνδεσμο άξονα.(Εικ. 28 )
2. Ευθυγραμμίστε τη γλωσσίδα του άξονα (A) με το βέλος στο σύνδεσμο άξονα (B).(Εικ. 29 )
3. Πιέστε τον άξονα στο σύνδεσμο άξονα μέχρι να προσαρτηθεί ο άξονας.(Εικ. 30 )

4. Βεβαιωθείτε ότι έχετε σφίξει τον τροχίσκο πριν χρησιμοποιήσετε το προϊόν.(Εικ. 31 )

### Για να αποσυναρμολογήσετε τον άξονα δύο τμημάτων

1. Γυρίστε τον τροχίσκο για να χαλαρώσετε το σύνδεσμο άξονα.(Εικ. 32 )
2. Πιέστε και κρατήστε πατημένο το κουμπί (C).(Εικ. 33 ) Κρατήστε το άκρο του κινητήρα και τραβήξτε τον άξονα έξω από το σύνδεσμο άξονα.

### Για να συναρμολογήσετε το παρελκόμενο κοπής

#### Για να προσαρτήσετε το προστατευτικό παρελκόμενου κοπής και την κεφαλή χορτοκοπτικού (ευθύγραμμος άξονας)

1. Στερεώστε τον προφυλακτήρα του παρελκόμενου κοπής (A) στον άξονα με τη βίδα (L).(Εικ. 34 ) Βεβαιωθείτε ότι χρησιμοποιείτε το σωστό

προστατευτικό παρελκομένου κοπής και τη σωστή κεφαλή χορτοκοπτικού.

2. Προσαρτήστε το δίσκο μετάδοσης (B) στον άξονα εξαγωγής.
3. Γυρίστε τον άξονα εξαγωγής μέχρι η οπή του δίσκου μετάδοσης να ευθυγραμμιστεί με την οπή στο περίβλημα γραναζιών.
4. Τοποθετήστε ένα μικρό καταβίδι (C) στην οπή για να ασφαλίσετε τον άξονα.(Εικ. 35 )
5. Γυρίστε την κεφαλή χορτοκοπτικού (H) προς τα αριστερά για να σφίξετε την κεφαλή χορτοκοπτικού στο κιβώτιο ταχυτήτων. (Αριστερά σπειρώματα.) (Εικ. 36 )

## Για να προσαρτήσετε το προστατευτικό παρελκομένου κοπής και την κεφαλή χορτοκοπτικού (κυρτός άξονας)

1. Συνδέστε το προστατευτικό.(Εικ. 37 ) Σφίξτε το παζμάδι.
2. Συνδέστε το καπάκι σκόνης στον άξονα.(Εικ. 38 )
3. Κρατήστε το καπάκι σκόνης με ρυθμιζόμενο κλειδί, για να βεβαιωθείτε ότι ο άξονας δεν περιστρέφεται.
4. Προσαρτήστε την κεφαλή χορτοκοπτικού με τον άξονα. Γυρίστε την κεφαλή χορτοκοπτικού προς τα δεξιά.

## ΛΕΙΤΟΥΡΓΙΑ



**ΠΡΟΕΙΔΟΠΟΙΗΣΗ:** Πρωτού χρησιμοποιήσετε το προϊόν, διαβάστε και κατανοήστε το κεφάλαιο για την ασφάλεια.

### Καύσιμο

#### Για να χρησιμοποιήσετε καύσιμο



**ΠΡΟΣΟΧΗ:** Αυτό το προϊόν έχει ένα δίχρονο κινητήρα. Χρησιμοποιήστε ένα μείγμα βενζίνης και λάδι δίχρονου κινητήρα. Βεβαιωθείτε ότι χρησιμοποιείτε τη σωστή ποσότητα λαδιού στο μείγμα. Τυχόν εσφαλμένη αναλογία βενζίνης και λαδιού μπορεί να προκαλέσει ζημιά στον κινητήρα.

#### Βενζίνη



**ΠΡΟΣΟΧΗ:** Μην χρησιμοποιείτε βενζίνη με αριθμό οκτανίων κάτω από 90 RON (87 AKI). Μπορεί να προκληθεί ζημιά στο προϊόν.



**ΠΡΟΣΟΧΗ:** Μην χρησιμοποιείτε βενζίνη με συγκέντρωση αιθανόλης πάνω από 10% (E10). Μπορεί να προκληθεί ζημιά στο προϊόν.

- Χρησιμοποιήστε πάντα καινούργια αμόλυβδη βενζίνη με ελάχιστο αριθμό οκτανίων 90 RON (87 AKI) και με συγκέντρωση αιθανόλης κάτω από 10% (E10).
- Χρησιμοποιήστε βενζίνη με υψηλότερο αριθμό οκτανίων εάν χρησιμοποιείτε συχνά το προϊόν συνεχώς σε υψηλές στροφές ανά λεπτό (σ.α.λ) του κινητήρα.

#### Λάδι δίχρονου κινητήρα

- Χρησιμοποιήστε μόνο υψηλής ποιότητας λάδι δίχρονου κινητήρα. Χρησιμοποιήστε μόνο λάδι αερόψυκτου κινητήρα.
- Μην χρησιμοποιείτε άλλους τύπους λαδιού.

- Αναλογία μίγματος 50:1 (2%)

Βενζίνη	Λάδι
1 γαλόνι Η.Π.Α.	77 ml (2,6 oz)
1 γαλόνι Η.Β.	95 ml (3,2 oz)
5 l	100 ml (3,4 oz)

#### Για να δημιουργήσετε το μείγμα καυσίμου

**Περιεχόμενα** Χρησιμοποιήστε πάντα ένα καθαρό δοχείο καυσίμου όταν αναμιγνύετε το καύσιμο.

**Περιεχόμενα** Μην δημιουργείτε ποσότητα μίγματος καυσίμου για περισσότερες από 30 ημέρες.

1. Προσθέστε το μισό της ποσότητας βενζίνης.
2. Προσθέστε ολόκληρη την ποσότητα λαδιού.
3. Ανακινήστε το μείγμα καυσίμου για να αναμίξετε τα περιεχόμενα.
4. Προσθέστε την υπόλοιπη ποσότητα βενζίνης.
5. Ανακινήστε το μείγμα καυσίμου για να αναμίξετε τα περιεχόμενα.
6. Γεμίστε το ντεπόζιτο καυσίμου.

#### Για να προσθέσετε καύσιμο

- Χρησιμοποιήστε πάντοτε δοχείο καυσίμου με βαλβίδα προστασίας από διαρροές.
- Εάν υπάρχει καύσιμο στο δοχείο, αφαιρέστε το ανεπιθύμητο καύσιμο και αφήστε το δοχείο να στεγνώσει.
- Βεβαιωθείτε ότι η περιοχή κοντά στην τάπα του ντεπόζιτου καυσίμου είναι καθαρή.
- Ανακινήστε καλά το δοχείο καυσίμου πριν προσθέσετε το μείγμα καυσίμου στο ντεπόζιτο καυσίμου.



## Για εκκίνηση και σταμάτημα

### Προτού εκκινήσετε τον κινητήρα

- Ελέγξτε το προϊόν για εξαρτήματα που λείπουν, έχουν υποστεί ζημιά, έχουν χαλαρώσει ή φθαρεί.
- Ελέγξτε τα παξιμάδια, τις βίδες και τα μπουλόνια.
- Ελέγξτε το φίλτρο αέρα.
- Ελέγξτε τη σωστή λειτουργία της ασφάλειας σκανδάλης γκαζιού και του χειριστηρίου γκαζιού.
- Ελέγξτε αν λειτουργεί σωστά ο διακόπτης διακοπής λειτουργίας.
- Ελέγξτε το προϊόν για διαρροές καυσίμου.
- Ελέγξτε το ακόνισμα και την τάνυση της αλυσίδας πριονιού.

### Για εκκίνηση με κρύο κινητήρα

1. Πιέστε τη φούσκα πλήρωσης 10 φορές.(Εικ. 39 )
2. Τραβήξτε προς τα πάνω το χειριστήριο του τσοκ.(Εικ. 40 )
3. Κρατήστε το σώμα του προϊόντος στο έδαφος με το αριστερό σας χέρι.(Εικ. 41 ) Μην πατάτε επάνω στο προϊόν. Τραβήξτε αργά τη λαβή του κορδονιού της μίζας μέχρι να αισθανθείτε αντίσταση. Στη συνέχεια, τραβήξτε δυνατά τη λαβή του κορδονιού της μίζας.

**Περιεχόμενα** Μην τραβάτε τη σκανδάλη γκαζιού ενώ προσπαθείτε να βάλετε μπροστά τον κινητήρα.

4. Συνεχίστε να τραβάτε τη λαβή του κορδονιού της μίζας μέχρι την εκκίνηση ή την απόπειρα εκκίνησης του κινητήρα (έως 3 τραβήγματα). Εάν ο κινητήρας εκκινηθεί ή προσπαθεί να εκκινηθεί, πιέστε το χειριστήριο τσοκ προς τα κάτω. Συνεχίστε να τραβάτε μέχρι να εκκινηθεί ο κινητήρας. Περιμένετε 60 δευτερόλεπτα μετά από την εκκίνηση, πριν τραβήξετε τη σκανδάλη γκαζιού.



**ΠΡΟΣΟΧΗ:** Μην τραβήξετε το κορδόνι της μίζας μέχρι να σβήσει. Μην αφήσετε το κορδόνι της μίζας όταν εκταθεί πλήρως. Αφήστε αργά το κορδόνι της μίζας. Εάν δεν τηρήσετε αυτές τις οδηγίες, μπορεί να προκληθεί ζημιά στον κινητήρα.

### Για εκκίνηση με ζεστό κινητήρα

1. Πιέστε τη φούσκα πλήρωσης 10 φορές.
2. Τραβήξτε το κορδόνι της μίζας μέχρι να εκκινηθεί ο κινητήρας.

### Για να διακόψετε τη λειτουργία

- Πιέστε τον διακόπτη λειτουργίας για να σβήσετε τον κινητήρα.(Εικ. 42 )

**Περιεχόμενα** Ο διακόπτης διακοπής λειτουργίας επιστρέφει αυτόματα στην αρχική του θέση.

## Για λειτουργία του χορτοκοπτικού



**ΠΡΟΣΟΧΗ:** Βεβαιωθείτε ότι επιβραδύνετε τον κινητήρα στις στροφές ανά λεπτό ρελαντί μετά από κάθε εργασία. Σε περίπτωση μεγάλου διαστήματος με τέρμα το γκάζι χωρίς φορτίο στον κινητήρα, μπορεί να προκληθεί ζημιά στον κινητήρα.

**Περιεχόμενα** Καθαρίστε το κάλυμμα της κεφαλής χορτοκοπτικού κατά την προσάρτηση καινούργιας μεσινέζας χορτοκοπτικού, για να αποφύγετε κρυσθασμούς. Ελέγξτε τα υπόλοιπα μέρη της κεφαλής χορτοκοπτικού και καθαρίστε τα, εάν είναι απαραίτητα.

### Για ξάκρισμα του γρασιδιού

1. Κρατήστε την κεφαλή χορτοκοπτικού ακριβώς πάνω από το έδαφος, υπό γωνία.(Εικ. 43 ) Μην πιέζετε τη μεσινέζα χορτοκοπτικού στο γρασίδι.
2. Μειώστε το μήκος της μεσινέζας χορτοκοπτικού από 10-12 cm (4-4,75 in) και μειώστε τις στροφές ανά λεπτό (σ.α.λ) του κινητήρα, για να μειώσετε τον κίνδυνο πρόκλησης ζημιών στα φυτά.
3. Όταν κόβετε γρασίδι κοντά σε αντικείμενα, πρέπει να ρυθμίσετε το γκάζι στο 80%.(Εικ. 44 )

### Για κοπή του γρασιδιού

1. Βεβαιωθείτε ότι η μεσινέζα χορτοκοπτικού είναι παράλληλη προς το έδαφος κατά τη διάρκεια της κοπής.(Εικ. 45 )
2. Μην πιέζετε την κεφαλή χορτοκοπτικού στο έδαφος. Μπορεί να προκληθεί ζημιά στο έδαφος και το προϊόν.
3. Μην αφήνετε την κεφαλή χορτοκοπτικού να έρχεται συνεχώς σε επαφή με το έδαφος, καθώς μπορεί να προκληθεί ζημιά σε αυτήν.
4. Ρυθμίστε τέρμα το γκάζι όταν μετακινείτε το προϊόν από τη μία πλευρά στην άλλη για να κόψετε το γρασίδι.(Εικ. 46 ) Βεβαιωθείτε ότι η μεσινέζα χορτοκοπτικού βρίσκεται παράλληλα με το έδαφος.

### Για να αντικαταστήσετε τη μεσινέζα του χορτοκοπτικού

- (Εικ. 47 )
- (Εικ. 48 )
- (Εικ. 49 )
- (Εικ. 50 )
- (Εικ. 51 )
- (Εικ. 52 )
- (Εικ. 53 )
- (Εικ. 54 )

# ΣΥΝΤΗΡΗΣΗ



**ΠΡΟΕΙΔΟΠΟΙΗΣΗ:** Διαβάστε και κατανοήστε το κεφάλαιο για την ασφάλεια προτού εκτελέσετε εργασίες καθαρισμού, επισκευής ή συντήρησης στο προϊόν.

## Πρόγραμμα συντήρησης

Βεβαιωθείτε ότι μπορείτε να τηρείτε το πρόγραμμα συντήρησης. Τα διαστήματα υπολογίζονται με βάση την καθημερινή χρήση του προϊόντος. Τα διαστήματα είναι διαφορετικά εάν δεν χρησιμοποιείτε το προϊόν καθημερινά. Εκτελείτε μόνο τις εργασίες συντήρησης που αναφέρονται στο παρόν εγχειρίδιο. Απευθυνθείτε σε ένα εγκεκριμένο κέντρο σέρβις σχετικά με τις υπόλοιπες εργασίες συντήρησης που δεν αναφέρονται στο παρόν εγχειρίδιο.

### Εβδομαδιαία συντήρηση

- Καθαρίστε τις εξωτερικές επιφάνειες.
- Εξετάστε τις στροφές ανά λεπτό ρελαντί.
- Εξετάστε το γράσο το κωνικού γραναζιού (ευθύγραμμος άξονας).

### Μηνιαία συντήρηση

- Εξετάστε τη λαβή του κορδονιού της μίζας και το κορδόνι της μίζας.

### Ετήσια συντήρηση

- Εξετάστε το μπουζί.
- Επαλείψτε με γράσο το άκρο του άξονα μετάδοσης κίνησης (άξονας δύο τμημάτων).
- Καθαρίστε τις εξωτερικές επιφάνειες του καρμπυρατέρ και τις γειτονικές περιοχές.
- Καθαρίστε το σύστημα ψύξης.
- Εξετάστε το πλέγμα της φλογοπαγίδας.
- Εξετάστε το φίλτρο καυσίμου.
- Εξετάστε το σωλήνα καυσίμου για ζημιές.
- Εξετάστε όλα τα καλώδια και τις συνδέσεις.

### Συντήρηση στις 50 ώρες

- Απευθυνθείτε σε ένα εγκεκριμένο κέντρο σέρβις για την επισκευή ή την αντικατάσταση της εξάτμισης (σιγαστήρας).

## Για να ρυθμίσετε τις στροφές ανά λεπτό ρελαντί

- Βεβαιωθείτε ότι το φίλτρο αέρα είναι καθαρό και ότι το κάλυμμα φίλτρου αέρα είναι προσαρτημένο, πριν από τη ρύθμιση των στροφών ανά λεπτό ρελαντί.
- Ρυθμίστε τις στροφές του ρελαντί με τη βίδα ρύθμισης του ρελαντί T, η οποία αναγνωρίζεται από την ένδειξη "T".
- Οι στροφές ανά λεπτό ρελαντί είναι σωστές όταν ο κινητήρας λειτουργεί ομαλά σε όλες τις θέσεις. Οι στροφές ανά λεπτό ρελαντί πρέπει να είναι κάτω από

τις στροφές που παρατηρούνται τη στιγμή που το παρελκόμενο κοπής αρχίζει να γυρίζει.

1. Γυρίστε τη βίδα ρύθμισης ρελαντί προς τα δεξιά μέχρι το παρελκόμενο κοπής να αρχίσει να γυρίζει. (Εικ. 55 )
2. Γυρίστε τη βίδα ρύθμισης ρελαντί προς τα αριστερά μέχρι το παρελκόμενο κοπής να σταματήσει.

## Για εκτέλεση εργασιών συντήρησης στο πλέγμα φλογοπαγίδας

Χρησιμοποιήστε συρματόβουρτσα για να καθαρίσετε το πλέγμα της φλογοπαγίδας. (Εικ. 56 )

## Για να καθαρίσετε το σύστημα ψύξης

Καθαρίστε τα εξαρτήματα του συστήματος ψύξης με μια βούρτσα.

(Εικ. 57 )

## Για να εξετάσετε το μπουζί



**ΠΡΟΣΟΧΗ:** Χρησιμοποιήστε το συνιστώμενο μπουζί. Βεβαιωθείτε ότι το ανταλλακτικό είναι το ίδιο με το εξάρτημα που παρέχεται από τον κατασκευαστή. Ένα ακατάλληλο μπουζί μπορεί να προκαλέσει ζημιά στο προϊόν.

1. Εξετάστε το μπουζί όταν:
  - a) Ο κινητήρας έχει χαμηλή ισχύ.
  - b) Ο κινητήρας δεν εκκινείται εύκολα.
  - c) Ο κινητήρας δεν λειτουργεί σωστά στις στροφές ανά λεπτό ρελαντί.
2. Εάν ο κινητήρας δεν εκκινείται εύκολα ή δεν λειτουργεί, εξετάστε το μπουζί για ανεπιθύμητα υλικά. Για να μειώσετε τον κίνδυνο ανεπιθύμητου υλικού στα ηλεκτρόδια του μπουζί:
  - a) Βεβαιωθείτε ότι οι στροφές ανά λεπτό ρελαντί έχουν ρυθμιστεί σωστά.
  - b) Βεβαιωθείτε ότι το μείγμα καυσίμου είναι σωστό.
  - c) Βεβαιωθείτε ότι το φίλτρο αέρα είναι καθαρό.
3. Καθαρίστε το μπουζί, εάν είναι βρώμικο. Ελέγξτε ότι το διάκενο ηλεκτροδίου είναι σωστό. (Εικ. 58 )
4. Αντικαταστήστε το μπουζί όταν είναι απαραίτητο.

## Για να επαλείψετε γράσο στον άξονα δύο τμημάτων

- Επαλείψτε γράσο στο άκρο του άξονα μετάδοσης κίνησης μετά από κάθε 30 ώρες λειτουργίας. (Εικ. 59 )

## Για εκτέλεση εργασιών συντήρησης στο φίλτρο αέρα



**ΠΡΟΕΙΔΟΠΟΙΗΣΗ:** Το λάδι δεν πρέπει να έρχεται σε επαφή με το σώμα σας.

### Για να καθαρίσετε το φίλτρο αέρα

1. Αφαιρέστε το κάλυμμα του φίλτρου αέρα και το φίλτρο αέρα.(Εικ. 60 )
2. Καθαρίστε το φίλτρο αέρα με ζεστό σαπουνόνερο. Βεβαιωθείτε ότι το φίλτρο αέρα είναι στεγνό πριν να το εγκαταστήσετε.
3. Αντικαταστήστε το φίλτρο αέρα εάν είναι πολύ βρώμικο για να καθαριστεί πλήρως. Πρέπει πάντα να αντικαθιστάτε το φίλτρο αέρα, εάν έχει υποστεί ζημιά.
4. Εάν το προϊόν σας διαθέτει αφρώδες φίλτρο αέρα, εφαρμόστε λάδι φίλτρου αέρα. Εφαρμόστε λάδι φίλτρου αέρα μόνο σε αφρώδες φίλτρο. Μην εφαρμόζετε λάδι σε φίλτρο κετσέ.

### Για να εφαρμόσετε λάδι φίλτρου αέρα στο φίλτρο αέρα



**ΠΡΟΣΟΧΗ:** Χρησιμοποιήστε πάντα ειδικό λάδι φίλτρου αέρα σε αφρώδη φίλτρα αέρα. Μην χρησιμοποιείτε άλλους τύπους λαδιού.

1. Αφαιρέστε το κάλυμμα του φίλτρου αέρα και το φίλτρο αέρα.(Εικ. 61 )
2. Τοποθετήστε το φίλτρο αέρα σε μια πλαστική σακούλα.
3. Ρίξτε το λάδι του φίλτρου αέρα στην πλαστική σακούλα.(Εικ. 62 )
4. Πιέστε την πλαστική σακούλα για να βεβαιωθείτε ότι το λάδι παρέχεται ομοιόμορφα διαμέσου του φίλτρου αέρα.
5. Πιέστε το φίλτρο αέρα, ενώ βρίσκεται στη σακούλα, για να αφαιρέσετε το περιττό λάδι φίλτρου αέρα. Αφαιρέστε το φίλτρο αέρα από τη σακούλα.
6. Εγκαταστήστε το φίλτρο αέρα.

### Για να προσθέσετε γράσο στο κωνικό γρανάζι

Βεβαιωθείτε ότι το κωνικό γρανάζι είναι γεμάτο κατά 3/4 με γράσο κωνικού γρανάζιού.

(Εικ. 63 )

## ΤΕΧΝΙΚΑ ΣΤΟΙΧΕΙΑ

	μονάδα	129C (A05328CCHV)	129L (A05328CSHV)	129LK (A05328CSHV)
<b>Προδιαγραφές κινητήρα</b>				
Κυβισμός κυλίνδρου	cm <sup>3</sup>	27,6	27,6	27,6
Διάκενο ηλεκτροδίου	mm	0,5	0,5	0,5
Όγκος ντεπόζιτου καυσίμου	cm <sup>3</sup>	343	343	343
Στροφές ανά λεπτό ρελαντί	min <sup>-1</sup>	2800 - 3200	2800 - 3200	2800 - 3200
Στροφές, στη μέγιστη ισχύ	min <sup>-1</sup>	8000	8000	8000
Απόδοση ισχύος	kW	0,85	0,85	0,85
Μπουζί		Husqvarna HQT-4	Husqvarna HQT-4	Husqvarna HQT-4
Μέγιστη περιστροφή άξονα εξαγωγής	min <sup>-1</sup>	8500	7200	7200
<b>Δεδομένα θορύβου και κραδασμών</b>				
Αντίστοιχη στάθμη κραδασμών (ahv, eq) αριστερή λαβή - βλ. σημείωση 1	m/s <sup>2</sup>	3,64	9,9	9,9
Αντίστοιχη στάθμη κραδασμών (ahv, eq) δεξιά λαβή - βλ. σημείωση 1	m/s <sup>2</sup>	3,59	8,9	8,9
Στάθμη ηχητικής ισχύος, εγγυημένη (L <sub>WA</sub> ) - βλ. σημείωση 2	dB(A)	114	114	114

Στάθμη ηχητικής ισχύος, μετρούμενη - βλ. σημείωση 2	dB(A)	106	105	106
Στάθμη πίεσης ήχου στο αυτί του χειριστή - βλ. σημείωση 3	dB(A)	93	95	95
<b>Διαστάσεις προϊόντος</b>				
Βάρος (χωρίς εξοπλισμό κοπής)	kg	4,61	5,21	5,98
<p><b>Σημείωση 1:</b> Τα καταγεγραμμένα στοιχεία για το αντίστοιχο επίπεδο δονήσεων έχουν μια τυπική στατιστική διασπορά (τυπική απόκλιση) της τάξης του <math>1 \text{ m/s}^2</math>.</p> <p><b>Σημείωση 2:</b> Οι εκπομπές θορύβου στο περιβάλλον, οι οποίες μετρούνται ως ηχητική ισχύς (<math>L_{WA}</math>), σε συμμόρφωση με την Οδηγία 2000/14/ΕΚ. Η καταγεγραμμένη στάθμη ηχητικής ισχύος για το μηχάνημα έχει μετρηθεί με το αυθεντικό παρελκόμενο κοπής, που δίνει την υψηλότερη στάθμη. Η διαφορά μεταξύ της εγγυημένης και της μετρούμενης ηχητικής ισχύος είναι ότι η εγγυημένη ηχητική ισχύς περιλαμβάνει επίσης τη διασπορά στο αποτέλεσμα της μέτρησης και τις αποκλίσεις μεταξύ των διαφορετικών μηχανημάτων του ίδιου μοντέλου σύμφωνα με την Οδηγία 2000/14/ΕΚ.</p> <p><b>Σημείωση 3:</b> Τα καταγεγραμμένα στοιχεία για την αντίστοιχη στάθμη ηχητικής πίεσης για το μηχάνημα έχουν μια τυπική στατιστική διασπορά (τυπική απόκλιση) της τάξης του 1 dB (A).</p>				

## ΑΞΕΣΟΥΑΡ

<b>129C</b>		
Εγκεκριμένα αξεσουάρ	Τύπος	Προστατευτικό παρελκόμενου κοπής
Αξονας με σπειρώμα (3/8 R)		
Κεφαλή χορτοκοπτικού	T25 (Ø 2,0 - 2,4 mm)	580 44 66-10
<b>129L, 129LK</b>		
Εγκεκριμένα αξεσουάρ	Τύπος	Προστατευτικό παρελκόμενου κοπής
Αξονας με σπειρώμα (M10L)		
Κεφαλή χορτοκοπτικού	T25 (Ø 2,0 - 2,4 mm)	580 44 66-06

Προαιρετικά αξεσουάρ	Τύπος	Χρήση με
Παρελκόμενο σκούπας με άξονα	SR600	129LK
Παρελκόμενο μπορντουροψάλιδου με άξονα	HA850	129LK
Παρελκόμενο κόφτη άκρων με άξονα	EA850	129LK
Παρελκόμενο πριονιού με άξονα	PA1100	129LK
Παρελκόμενο καλλιεργητή με άξονα	CA150	129LK
Παρελκόμενο χορτοκοπτικού με άξονα	TA850	129LK
Παρελκόμενο πριονιού με άξονα	PAX1100	129LK
Παρελκόμενο πριονιού με άξονα	PAX730	129LK

## ΠΕΡΙΕΧΟΜΕΝΑ ΤΗΣ ΔΗΛΩΣΗΣ ΣΥΜΜΟΡΦΩΣΗΣ ΕΚ

Εμείς, η Husqvarna AB, SE 561 82 Huskvarna, Σουηδία, δηλώνουμε με αποκλειστική μας ευθύνη ότι το εκπρωσωπούνται προϊόν:

Το παρεχόμενο βενζινοκίνητο χορτοκοπτικό / θαμνοκοπτικό συμμορφώνεται με το δείγμα που υποβλήθηκε σε εξέταση.

Περιγραφή	Βενζινοκίνητο χορτοκοπτικό / θαμνοκοπτικό
Μάρκα	Husqvarna
Πλατφόρμα / Τύπος / Μοντέλο	Πλατφόρμα A05328CCHV, που αντιπροσωπεύει το μοντέλο 129C  Πλατφόρμα A05328CSHV, που αντιπροσωπεύει τα μοντέλα 129L και 129LK
Παρτίδα	Αριθμός σειράς με ημερομηνία 2013 και μεταγενέστερη

συμμορφώνεται πλήρως με τις ακόλουθες οδηγίες της ΕΕ και τους κανονισμούς:

Οδηγία/κανονισμού	Περιγραφή
2006/42/ΕΚ	"σχετικά με τα μηχανήματα"
2014/30/ΕΕ	"σχετικά με την ηλεκτρομαγνητική συμβατότητα"
2000/14/ΕΚ	"σχετικά με το θόρυβο σε εξωτερικούς χώρους"

Εφαρμοζόμενα εναρμονισμένα πρότυπα ή/και τεχνικές προδιαγραφές: EN ISO 12100, EN ISO 11806-1, CISPR 12, ISO 14982

Σύμφωνα με την οδηγία 2000/14/ΕΚ, Παράρτημα V, οι δηλωθείσες τιμές για τον ήχο αναφέρονται στο κεφάλαιο Τεχνικά στοιχεία αυτού του εγχειριδίου και στην υπογεγραμμένη Δήλωση συμμόρφωσης ΕΚ.

Η TÜV Rheinland N.A. εκτέλεσε εθελοντικά έλεγχο για λογαριασμό της Husqvarna AB και εξέδωσε πιστοποιητικό συμμόρφωσης με την Οδηγία του Συμβουλίου ΕΚ 2006/42/ΕΚ για τα μηχανήματα.

Το πιστοποιητικό, όπως παρέχεται στην υπογεγραμμένη Δήλωση συμμόρφωσης ΕΚ, ισχύει για όλες τις εγκαταστάσεις παραγωγής και τις χώρες προέλευσης, όπως αναφέρονται στο προϊόν.

---

## Obsah

---

ÚVOD.....	134	TECHNICKÉ ÚDAJE.....	141
BEZPEČNOST.....	135	PŘÍSLUŠENSTVÍ.....	142
SESTAVENÍ.....	137	OBSAH PROHLÁŠENÍ O SHODĚ EU.....	142
PROVOZ.....	138	.....	0
ÚDRŽBA.....	140		

---

## ÚVOD

---

### Návod k používání

Návod k obsluze byl původně napsán v angličtině. Návod k obsluze v ostatních jazycích jsou překlady z angličtiny.

### Přehled

(Obr. 1 )

1. Strunová hlava
2. Uzávěr mazacího otvoru
3. Kolmý ozubený převod
4. Ochrana řezacího nástavce
5. Trubka hřídele
6. Objímka hřídele nožové lišty
7. Obloukové držadlo
8. Páčka plynu
9. Stop spínač (vypínač zapalování)
10. Pojistka spínače plynu
11. Koncovka kabelu zapalovací svíčky, zapalovací svíčka
12. Kryt startéru
13. Rukojeť startéru
14. Palivová nádrž
15. Kryt vzduchového filtru
16. Palivová pumpička
17. Ovládání sytiče
18. Hnací kotouč
19. Návod k používání

### Symbole na výrobku

- (Obr. 2 ) Varování
- (Obr. 3 ) Přečtěte si tento návod.
- (Obr. 4 ) Vždy používejte schválenou ochranu hlavy.
- (Obr. 5 ) Vždy používejte schválenou ochranu sluchu.
- (Obr. 6 ) Vždy používejte schválenou ochranu očí.
- (Obr. 7 ) Používejte schválené ochranné rukavice.
- (Obr. 8 ) Používejte ochrannou obuv.

(Obr. 9 ) Produkt může způsobit vymrštění předmětů a následné poranění očí.

(Obr. 10 ) Produkt může způsobit vymrštění předmětů a následné poranění očí.

(Obr. 11 ) Maximální otáčky výstupní hřídele

(Obr. 12 ) Bezpečná vzdálenost

(Obr. 13 ) Používejte pouze schválenou vyžínací strunu. Nepoužívejte kotouč.

(Obr. 14 ) Nepoužívejte kovový sekací nástavec.

(Obr. 15 ) Dlouhé vlasy si vyčesjte nahoru nad ramena.

(Obr. 16 ) Šipky znázorňují krajní polohy držadla.

(Obr. 17 ) Hladina akustického výkonu

(Obr. 18 ) Hladina hluku

(Obr. 19 ) Výrobek odpovídá příslušným směrnici ES.

(Obr. 20 ) Výrobek odpovídá příslušným směrnici EAC.

(Obr. 21 ) Výrobek odpovídá příslušným směrnici platným na Ukrajině.

**Povšimněte si:** Další symboly/štítky na produktu se týkají certifikačních požadavků pro další komerční oblasti.

### Odpovědnost za výrobek

Jak uvádí zákon o odpovědnosti za výrobek, neneseme odpovědnost za žádnou škodu způsobenou naším výrobkem, pokud:

- byl produkt nesprávně opraven,

- byl produkt opraven pomocí součástí od jiného výrobce nebo součástí, které nejsou výrobcem schváleny,
- má produkt příslušenství od jiného výrobce nebo příslušenství, které není výrobcem schváleno,

- produkt nebyl opraven ve schváleném servisním středisku nebo schváleným odborníkem.

## BEZPEČNOST

### Definice týkající se bezpečnosti

Níže uvedené definice uvádí úroveň vážnosti jednotlivých signálních slov.



**VÝSTRAHA:** Zranění osob.



**VAROVÁNÍ:** Poškození výrobku.

**Povšimněte si:** Díky těmto informacím je používání výrobku snazší.

### Obecné bezpečnostní pokyny

- Používejte výrobek správně. Nesprávné používání může mít za následek zranění nebo smrt. Výrobek používejte pouze k činnosti uvedeným v tomto návodu. K jiným činnostem výrobek nepoužívejte.
- Řiďte se pokyny v návodu. Řiďte se bezpečnostními symboly a pokyny. Pokud se obsluha nebude řídit pokyny a symboly, může dojít ke zranění, poškození nebo smrti.
- Tento návod nevyhazujte. Použijte pokyny k sestavení, k používání a udržování výrobku v dobrém stavu. Použijte pokyny k správné montáži nástavců a příslušenství. Používejte pouze schválené nástavce a příslušenství.
- Nepoužívejte poškozený výrobek. Dodržujte plán údržby. Provádějte pouze údržbu, ke které najdete pokyny v tomto návodu. Veškerou údržbu musí provádět schválené servisní středisko.
- Tento návod nemůže obsahovat všechny situace, ke kterým při používání výrobku dochází. Buďte opatrní a používejte zdravý rozum. Výrobek nepoužívejte a neprovádějte údržbu, když si nejste jisti danou situací. Poradte se s odborníkem, prodejcem, servisním pracovníkem nebo schváleným servisním střediskem.
- Před montáží, uskladněním nebo údržbou výrobku odpojte kabel zapalovací svíčky.
- Pokud se změní původní specifikace výrobku, nepoužívejte ho. Bez schválení výrobcem neměňte žádné součásti výrobku. Používejte výhradně součásti schválené výrobcem. Nesprávná údržba může mít za následek zranění nebo smrt.

- Nevdechujte výpary motoru. Dlouhodobé vdechování výfukových plynů z motoru představuje zdravotní riziko.
- Nestartujte výrobek uvnitř budovy ani v blízkosti hořlavých materiálů. Výfukové plyny jsou horké a mohou obsahovat jiskry, které by mohly zažehnout požár. Nedostatečné proudění vzduchu může způsobit zranění nebo smrt udusením nebo otravou kyslíčikem uheľnatým.
- Při používání výrobku vytváří motor elektromagnetické pole. Elektromagnetické pole může poškodit implantované lékařské přístroje. Před použitím výrobku se poraďte s lékařem a výrobcem implantovaných lékařských přístrojů.
- Zamezte používání výrobku dětmi. Zamezte používání výrobku osobami, které naznají pokyny.
- Vždy sledujte osoby s fyzickým nebo mentálním postižením při práci s výrobkem. Vždy musí být přítomna zodpovědná dospělá osoba.
- Výrobek zamkyjte na místě, kam nemají přístup děti a nežádoucí osoby.
- Produkt může způsobit vymrštění předmětů a následné poranění. Dodržujte bezpečnostní předpisy pro snížení rizika zranění a smrti.
- Neodcházejte od výrobku, když je spuštěný motor.
- Za případnou nehodu nese zodpovědnost obsluha výrobku.
- Před použitím se přesvědčte, že nejsou poškozeny součásti.
- Před použitím výrobku zajistěte, abyste byli ve vzdálenosti minimálně 15 m (50 stop) od ostatních osob a zvířat. Zajistěte, aby osoby ve vaší blízkosti věděly, že budete výrobek používat.
- Podrobnosti naleznete v mezinárodních a místních zákonech. Za určitých podmínek mohou použití výrobku zakazovat nebo omezovat.
- Nepoužívejte výrobek, jste-li unavení nebo pod vlivem alkoholu, drog nebo léků. Tyto faktory mohou ovlivnit váš zrak, pozornost, koordinaci nebo úsudek.

### Bezpečnostní pokyny pro provoz

- Před použitím zkontrolujte, že je výrobek zcela smontovaný.
- Před spuštěním poodejděte 3 m (10 stop) od místa, kde jste doplňovali palivo. Položte výrobek na rovný podklad. Zkontrolujte, zda sekací nástavec nemůže přijít do kontaktu se zemí nebo cizími objekty.
- Produkt může způsobit vymrštění předmětů a následné poranění očí. Při práci s výrobkem vždy používejte ochranu očí.

- Dejte pozor, během práce se k vám může přiblížit dítě, aniž byste o tom věděli.
- Pokud se v pracovní oblasti vyskytnou osoby, nepracujte. Když do pracovní oblasti vstoupí jiná osoba, výrobek vypněte.
- Přesvědčte se, že máte výrobek stále pod kontrolou.
- Pokud by vám v případě nehody neměl kdo pomoci, výrobek nepoužívejte. Než začnete výrobek používat, přesvědčte se, že o tom ostatní vědí.
- Než se s výrobkem otočíte, přesvědčte se, že se v bezpečnostní oblasti nevyskytnou žádné osoby ani zvířata.
- Než výrobek spustíte, odstraňte z pracovní oblasti případné nechtěné materiály. Pokud sekací nástavec zasáhne nějaký předmět, může dojít k vymrštění předmětu a zranění nebo škodě. Nechtěný materiál se může namotat na sekací nástavec a způsobit škodu.
- Výrobek nepoužívejte za špatného počasí (mlha, déšť, silný vítr, nebezpečí blesku nebo jiné počasí). Špatné počasí může způsobit nebezpečné podmínky (například kluzký povrch).
- Přesvědčte se, že se můžete volně pohybovat a pracovat ve stabilní poloze.

(Obr. 22 )

- Ujistěte se, že při používání výrobku nemůžete spadnout. Při používání výrobku se nenaklánějte.
- Výrobek vždy držte oběma rukama. Výrobek držte po své pravé straně.

(Obr. 23 )

- Při práci s výrobkem udržujte sekací nástavec pod úrovní pasu.
- Pokud je po spuštění motoru ovládání sytíče v poloze syčení, spustí se sekací nástavec.
- Po zastavení motoru se nedotýkejte kuželového ozubeného kola. Kuželové ozubené kolo je po zastavení motoru horké. Horké oblasti mohou způsobit zranění.
- Než výrobek začnete přesouvat, zastavte motor.
- Neodkládejte výrobek, když je spuštěný motor.
- Než začnete z výrobku odstraňovat nechtěný materiál, zastavte motor a počkejte, než se sekací nástavec zastaví. Než vy nebo asistent odstraníte nechtěný materiál, nechte sekací nástavec zastavit.

## Osobní ochranné prostředky

- Při práci s výrobkem vždy používejte správné osobní ochranné prostředky. Osobní ochranné prostředky neodstraňují nebezpečí zranění. Osobní ochranné prostředky snižují úroveň zranění v případě nehody.
- Při práci s výrobkem vždy používejte schválenou ochranu očí.
- Nepracujte s výrobkem bosí nebo v otevřených botách. Vždy používejte odolnou obuv s protiskluzovou podrážkou.
- Používejte silné, dlouhé kalhoty.
- V případě nutnosti používejte schválené ochranné rukavice.

- Pokud hrozí nebezpečí pádu nějakého předmětu, použijte helmu.
- Při práci s výrobkem vždy používejte schválenou ochranu sluchu. Dlouhodobé působení hluku může způsobit ztrátu sluchu vyvolanou hlukem.
- Přesvědčte se, že máte v dosahu k dispozici lékárníčku.

## Ochranná zařízení na produktu

- Zajistěte pravidelnou údržbu výrobku.
    - Prodlouží se tím jeho životnost.
    - Snižuje se nebezpečí nehody.
- U schváleného prodejce nebo ve schváleném servisním středisku nechte výrobek pravidelně kontrolovat, seřídit nebo případně opravit.
- Nepoužívejte výrobek v poškozenými ochrannými prostředky. V případě poškození výrobku se obraťte na schválené servisní středisko.

## Pojistka spínače plynu

Pojistka spínače plynu blokuje spínač plynu.

(Obr. 24 )

Stisknutím pojistky spínače plynu (A) uvolníte spínač plynu (B). Když uvolníte rukojeť, pojistka spínače plynu a spínač plynu se vrátí do výchozí polohy.

1. Při uvolnění pojistky spínače plynu (A) se přesvědčte, že je spínač plynu (B) zablokovaný ve volnoběžných otáčkách.
2. Stiskněte pojistku spínače plynu (A) a zkontrolujte, zda se po uvolnění vrátí do své výchozí polohy.
3. Stiskněte spínač plynu (B) a zkontrolujte, zda se po uvolnění vrátí do své výchozí polohy.

Nastartujte motor a dejte plný plyn. Uvolněte spínač plynu a zkontrolujte, jestli se sekací nástavec zastaví. Pokud se sekací nástavec otáčí, když je plyn v pozici volnoběhu, zkontrolujte stavěcí šroub karburátoru.

## Stop spínač (vypínač zapalování)

Nastartujte motor. Zkontrolujte, zda se motor zastaví při přesunutí vypínače zapalování do polohy zastavení.

(Obr. 25 )

## Ochrana řezacího nástavce

Kryt sekacího nástavce brání vymrštění volných předmětů směrem k obsluze.

(Obr. 26 )

Zkontrolujte, zda není kryt sekacího nástavce poškozený a případně ho vyměňte. Používejte pouze kryt schválený pro sekací nástavec.

## Tlumič výfuku

- Nepoužívejte motor s poškozeným tlumičem. Poškozený tlumič zvyšuje úroveň hluku a nebezpečí požáru. Vždy mějte poblíž hasicí přístroj.
- Pravidelně kontrolujte, zda je k výrobku namontován tlumič.



- Nedotýkejte se běžícího motoru ani tlumiče. Motoru ani tlumiče se nedotýkejte ani nějakou dobu po zastavení motoru. Horký povrch může způsobit zranění.
- Horký tlumič může způsobit požár. Buďte opatrní, pokud výrobek používáte v blízkosti hořlavých kapalin a plynů.
- Pokud je tlumič poškozen, nedotýkejte se jeho součástí. Součásti mohou obsahovat karcinogenní chemikálie.
- Pokud polijete výrobek nebo sebe olejem nebo palivem, nespouštějte motor výrobku.
- Nepouštějte motor, pokud z něj něco uniká. Pravidelně kontrolujte, jestli z motoru nic neuniká.
- Při manipulaci s palivem buďte opatrní. Palivo je hořlavé a výpary jsou výbušné a mohou způsobit zranění nebo smrt.
- Nevdechujte palivové výpary, mohou způsobit zranění. Zjistěte dostatečný průtok vzduchu.
- V blízkosti paliva ani motoru nekuřte.
- Do blízkosti paliva ani motoru neumísťujte horké předměty.
- Když je spuštěný motor, nedoplňujte palivo.
- Než začnete doplňovat palivo, přesvědčte se, že je motor studený.
- Než doplníte palivo, pomalu otevřete uzávěr palivové nádrže a opatrně uvolněte tlak.
- Palivo do motoru nedoplňujte ve vnitřních prostorech. Nedostatečné proudění vzduchu může způsobit zranění nebo smrt udušením nebo otravou kyslíčkem uhelnatým.
- Uzávěr palivové nádrže pečlivě dotáhněte, aby nedošlo k požáru.
- Než výrobek spustíte, přejděte s ním minimálně 3 m (10 stop) od místa, kde jste doplňovali palivo.
- Palivovou nádrž nepřeplyňte.
- Přesvědčte se, že při pohybu výrobku nebo nádoby na palivo nemůže dojít k úniku.
- Výrobek ani nádobu na palivo neumísťujte do míst s otevřeným ohněm, jiskrami nebo zapalovacím plamínkem. Přesvědčte se, že v oblasti uložení nevyskytuje otevřený plamen.
- Pro přenašení a skladování paliva používejte pouze schválené nádoby.
- Před dlouhodobým uskladněním vyprázdněte palivovou nádrž. Dodržujte místní zákony ohledně likvidace paliva.
- Před dlouhodobým uskladněním výrobek vyčistěte.
- Než výrobek uskladníte, odstraňte kabel zapalovací svíčky, aby motor nahodile nenastartoval.

## Sekací nástavec

- Provádějte pravidelnou údržbu. Ve schváleném servisním středisku nechte sekací nástavec pravidelně kontrolovat, seřídit nebo případně opravit.
  - Zvýší se tím výkon sekacího nástavce.
  - Prodlouží se tím životnost sekacího nástavce.
  - Sníží se nebezpečí nehody.
- Používejte pouze schválený kryt sekacího nástavce. Další informace viz *TECHNICKÉ ÚDAJE na strani 141*.
- Nepoužívejte poškozený sekací nástavec.

## Hlava vyžinače

- Pro snížení vibrací namotejte vyžinací strunu na buben pevně a rovnoměrně.
- Používejte pouze schválené hlavy vyžinače a vyžinací struny. Viz *TECHNICKÉ ÚDAJE na strani 141*.
- Používejte vyžinací struny správné délky. Příliš dlouhá vyžinací struna potřebuje větší výkon motoru než krátká.
- Dbějte na to, aby nůž na krytu sekacího nástavce nebyl poškozen.
- Před nasazením na výrobek namočte vyžinací strunu na dva dny do vody. Tím se prodlouží životnost vyžinací struny.

## Bezpečnost při manipulaci s palivem

- Pokud je na výrobku palivo nebo olej, nespouštějte ho. Nechtěné palivo/olej z výrobku odstraňte a nechte výrobek uschnout. Nechtěné palivo z výrobku odstraňte.
- Pokud si palivem polijete oblečení, okamžitě se převlékněte.
- Zabraňte styku paliva s tělem, může způsobit zranění. Pokud se palivo na vaše tělo dostane, omyjte se vodou a mýdlem.

## Bezpečnostní pokyny pro údržbu

- Pokud nemůžete nastavit volnoběžné otáčky a zastavit sekací nástavec, obraťte se na servisní středisko. Nepoužívejte výrobek, dokud není správně seřízen nebo opraven.

# SESTAVENÍ



**VÝSTRAHA:** Než výrobek sestavíte, přečtěte si kapitulu o bezpečnosti.

## Nasazení držadla ve tvaru „D“

1. Nasadte držadlo ve tvaru „D“ na hřídel podle nákreсу a utáhněte. (Obr. 27)
2. Držadlo ve tvaru „D“ musí být nasazeno mezi šípky vyznačenými na trubce hřídele.

## Sestavení dvoudílné hřídele

1. Otáčením šroubu povolte objímku hřídele nožové lišty.(Obr. 28 )
2. Vyrovnajte zarážku hřídele (A) se špičkou na objímce hřídele nožové lišty (B).(Obr. 29 )
3. Zatlačte hřídel do objímky hřídele, dokud nezapadne.(Obr. 30 )
4. Před použitím výrobku se přesvědčte, že je šroub dotažený.(Obr. 31 )

## Demontáž dvoudílné hřídele

1. Otáčením šroubu povolte objímku hřídele nožové lišty.(Obr. 32 )
2. Stiskněte a podržte tlačítko (C).(Obr. 33 ) Držte výrobek na straně motoru a vytáhněte hřídel z objímky.

## Sestavení sekacího nástavce

### Upevnění krytu sekacího nástavce a hlavy vyžinače (rovná hřídel)

1. Připevněte kryt sekacího nástavce (A) na hřídel pomocí šroubu (L).(Obr. 34 ) Použijte správný kryt sekacího nástavce a správnou hlavu vyžinače.

2. Nasaďte hnaný kotouč (B) na výstupní hřídel.
3. Pootáčejte výstupním hřídelem, dokud jeden z otvorů v hnaném kotouču nezarovnáte s odpovídajícím otvorem v tělese ozubeného převodu.
4. Do otvoru vložte malý šroubovák (C) a uzamkněte hřídel.(Obr. 35 )
5. Otočte hlavou vyžinače (H) proti směru hodinových ručiček a dotáhněte ji tak k převodovce. (Levotočivé závity).(Obr. 36 )

### Upevnění krytu sekacího nástavce a hlavy vyžinače (zakřivená hřídel)

1. Nasaďte kryt.(Obr. 37 ) Utáhněte matici.
2. Nasaďte prachovku na hřídel.(Obr. 38 )
3. Podržte prašný hřídel francouzským klíčem a zajistěte proti otáčení.
4. Na hřídel nasaďte hlavu vyžinače. Otočte hlavou vyžinače po směru hodinových ručiček.

## PROVOZ



**VÝSTRAHA:** Než začnete s výrobkem pracovat, přečtěte si důkladně kapitolu o bezpečnosti.

## Palivo

### Používání paliva



**VAROVÁNÍ:** Tento výrobek má dvoutaktní motor. Používejte směs benzínu a motorového oleje. Zajistěte správné množství oleje ve směsi. Nesprávný poměr benzínu a oleje může způsobit poškození motoru.

### Benzín



**VAROVÁNÍ:** Nepoužívejte benzín s oktanovým číslem nižším než 90 RON (87 AKI). Můžete tím výrobek poškodit.



**VAROVÁNÍ:** Nepoužívejte benzín s koncentrací etanolu vyšší než 10 % (E10). Můžete tím výrobek poškodit.

- Vždy používejte bezolovnatý benzín oktanovým číslem minimálně 90 RON (87 AKI) s koncentrací etanolu nižší než 10 % (E10).

- Pokud výrobek používáte často s průběžně vyššími otáčkami motoru, používejte benzín s vyšším oktanovým číslem.

### Olej pro dvoutaktní motory

- Používejte pouze vysoce kvalitní olej pro dvoutaktní motory. Používejte pouze olej pro vzduchem chlazené motory.
- Jiné druhy oleje nepoužívejte.
- Poměr směsi 50:1 (2 %)

Benzín	Olej
1 U.S. Gal.	77 ml (2,6 unce)
1 UK Gal.	95 ml (3,2 unce)
5 l	100 ml (3,4 oz)

### Výroba palivové směsi

**Povšimněte si:** Při míchání paliva vždy používejte čistou nádobu na palivo.

**Povšimněte si:** Nevyrábějte víc palivové směsi, než kolik potřebujete na 30 dní.

1. Přidejte polovinu množství benzínu.
2. Přidejte celé množství oleje.

3. Protřepáním směs promíchejte.
4. Přidejte zbývající benzín.
5. Protřepáním směs promíchejte.
6. Naplňte palivovou nádrž.

## Přidání paliva

- Používejte nádoby na palivo s plnicím hrdlem s ochrannou proti přeplnění.
- Pokud je nějaké palivo na nádobě, odstraňte ho a nechte nádobu uschnout.
- Okolí uzávěru palivové nádrže musí být čisté.
- Než nalijete palivovou směs do palivové nádrže, protřepejte nádobu s palivem.

## Zapnutí a vypnutí

### Před spuštěním motoru

- Zkontrolujte, jestli na výrobku nechybí součásti, nejsou povolené nebo opotřebované.
- Zkontrolujte matice, vruty a šrouby.
- Zkontrolujte vzduchový filtr.
- Zkontrolujte správnou funkci pojistky spínače plynu a ovládání plynu.
- Zkontrolujte správnou funkci vypínače zapalování.
- Zkontrolujte, zda z výrobku neuniká palivo.
- Zkontrolujte ostrost a napnutí pilového řetězu.

### Spouštění studeného motoru

1. Desetkrát za sebou stiskněte palivovou pumpičku. (Obr. 39 )
2. Vytáhněte ovládání sytiče nahoru. (Obr. 40 )
3. Přitiskněte celý výrobek k zemi levou rukou. (Obr. 41 ) Na výrobek nešlapejte. Lehce táhněte za rukojeť startéru, až pocítíte odpor. Potom za rukojeť startéru zatáhněte silou.

**Povšimněte si:** Při startování motoru nevytahujte spínač plynu.

4. Tahejte za rukojeť startéru, dokud se motor nenastartuje nebo se nepokusí spustit (maximálně 3 zatažení). Pokud motor nastartuje nebo se pokusí rozběhnout, stlače ovladač sytiče směrem dolů. Tahejte, dokud motor nenastartuje. Po nastartování počkejte 60 sekund a poté vytáhněte spínač plynu.



**VAROVÁNÍ:** Nevytahujte rukojeť startéru až na doraz. Když je lano startéru zcela vytažené, nepouštějte ho. Pouštějte lano startéru pomalu. Pokud tyto pokyny nedodržíte, může dojít k poškození motoru.

### Spouštění teplého motoru

1. Desetkrát za sebou stiskněte palivovou pumpičku.

2. Zatáhněte za lano startéru, až se motor spustí.

## Zastavení

- Stisknutím vypínače zapalování vypnete motor. (Obr. 42 )

**Povšimněte si:** Vypínač se automaticky vrátí do původní polohy.

## Práce s vyžínací strunou



**VAROVÁNÍ:** Po každém použití zpomalte motor do volnoběžných otáček. Dlouhodobý běh na plný plyn bez zátěže může způsobit poškození motoru.

**Povšimněte si:** Aby nedocházelo k vibracím, vyčistěte po nasazení nové vyžínací struny novou hlavu vyžínáče. Zkontrolujte ostatní součásti hlavy vyžínáče a v případě potřeby je vyčistěte.

### Vyžínání trávy

1. Držte strunovou hlavu těsně nad úroveň terénu a pod úhlem. (Obr. 43 ) Netlačte strunu vyžínáče trávy do trávy.
2. Zkraťte délku vyžínací struny o 10–12 cm (4–4,75 palce) a snižte otáčky motoru, abyste snížili nebezpečí poškození rostlin.
3. Když sečete trávu v blízkosti předmětů, používejte plyn na 80 %. (Obr. 44 )

### Sečení trávy

1. Zajistěte, aby při sečení byla vyžínací struna souběžně se zemí. (Obr. 45 )
2. Netlačte hlavu vyžínáče k zemi. Mohlo by dojít k poškození podkladu a výrobku.
3. Nedotýkejte se hlavou vyžínáče trvale země, mohlo by dojít k poškození hlavy.
4. Při pohybu výrobkem ze strany na stranu při sečení trávy použijte plný plyn. (Obr. 46 ) Zajistěte, aby při sečení byla vyžínací struna souběžně se zemí.

### Výměna vyžínací struny

- (Obr. 47 )  
(Obr. 48 )  
(Obr. 49 )  
(Obr. 50 )  
(Obr. 51 )  
(Obr. 52 )  
(Obr. 53 )  
(Obr. 54 )

# ÚDRŽBA



**VÝSTRAHA:** Než začnete výrobek čistit, opravovat nebo provádět údržbu, přečtěte si důkladně kapitolu o bezpečnosti.

## Schéma technické údržby

Vždy dodržujte plán údržby. Intervaly se vypočítávají z každodenního používání výrobku. Pokud výrobek nepoužíváte každý den, intervaly se liší. Provádějte pouze údržbu, kterou najdete v tomto návodu. Pokud chcete provést údržbu, která není v tomto návodu uvedena, obraťte se na schválené servisní středisko.

### <:fc 1>Týdenní údržba<:/fc>

- Vyčistěte vnější povrchy.
- Zkontrolujte volnoběžné otáčky.
- Zkontrolujte promazání ozubeného převodu (rovná hřídel).

### Měsíční údržba

- Zkontrolujte rukojeť a lano startéru.

### Roční údržba

- Zkontrolujte zapalovací svíčku.
- Naneste mazivo na konec hnací hřídele (dvoudílná hřídel).
- Vyčistěte vnější povrch karburátoru a okolních ploch.
- Vyčistěte chladicí systém.
- Zkontrolujte sítko lapače jisker.
- Zkontrolujte palivový filtr.
- Zkontrolujte, zda není poškozená palivová hadice.
- Zkontrolujte všechny elektrické kabely a konektory.

### 50 hodin provozu

- Ve schváleném servisním středisku nechte opravit nebo vyměnit tlumič.

## Úprava volnoběžných otáček

- Než nastavíte volnoběž, zkontrolujte čistotu vzduchového filtru a to, zda je nasazen kryt vzduchového filtru.
  - Pomocí stavěcího šroubu T, který je popsán symbolem T, nastavte volnoběžné otáčky.
  - Rychlost volnoběhu je správná tehdy, když má motor klidný chod v každé poloze. Po spuštění sekacího nástavce musí být volnoběžné otáčky nižší než tyto otáčky.
1. Otáčejte stavěcím šroubem ve směru hodinových ručiček, dokud se řezací nástavec nezačne otáčet. (Obr. 55)
  2. Otáčejte stavěcím šroubem proti směru hodinových ručiček, dokud se řezací nástavec nezastaví.

## Údržba sítka lapače jisker

Vyčistěte sítko lapače jisker drátěným kartáčem. (Obr. 56)

## Čištění chladicího systému

Vyčistěte součásti chladicího systému kartáčem. (Obr. 57)

## Kontrola zapalovací svíčky



**VAROVÁNÍ:** Použijte doporučenou zapalovací svíčku. Ujistěte se, že je náhradní díl stejný, jako díl dodaný výrobcem. Nesprávná zapalovací svíčka může výrobek poškodit.

1. Zkontrolujte zapalovací svíčku, když:
  - a) je výkon motoru nízký;
  - b) není snadné motor spustit;
  - c) motor nefunguje správně ve volnoběžných otáčkách.
2. Pokud nelze motor snadno spustit nebo ovládat, zkontrolujte, zda se na zapalovací svíčke nenachází nechtěné materiály. Pro snížení nebezpečí přítomnosti nechtěných materiálů na elektrodách zapalovací svíčky:
  - a) zkontrolujte, zda jsou správně nastaveny volnoběžné otáčky;
  - b) zkontrolujte správnost palivové směsi;
  - c) zkontrolujte, zda je vzduchový filtr čistý.
3. Pokud je zapalovací svíčka znečištěná, vyčistěte ji. Zkontrolujte správnou vzdálenost elektrod. (Obr. 58)
4. V případě potřeby zapalovací svíčku vyměňte.

## Nanesení maziva na dvoudílnou hřídel

- Po každých 30 hodinách provozu naneste na konec hnací hřídele mazivo. (Obr. 59)

## Údržba vzduchového filtru

### Čištění vzduchového filtru

1. Odmontujte kryt vzduchového filtru a vzduchový filtr. (Obr. 60)
2. Vyčistěte filtr teplou mýdlovou vodou. Před montáží zkontrolujte, že je vzduchový filtr suchý.
3. Pokud je vzduchový filtr tak znečištěný, že jej nelze vyčistit, vyměňte ho. Poškozený vzduchový filtr vždy vyměňte.
4. Pokud je váš výrobek vybaven pěnovým filtrem, naneste olej na vzduchové filtry. Olej na vzduchové

filtry naneste pouze na pěnový filtr. Nenanášejte olej na vzduchové filtry na plstěný filtr.

## Nanese ní oleje na vzduchové filtry na vzduchový filtr



**VAROVÁNÍ:** Na pěnové filtry vždy používejte speciální olej na vzduchové filtry. Jiné druhy oleje nepoužívejte.



**VÝSTRAHA:** Zabraňte kontaktu oleje s tělem.

1. Odmontujte kryt vzduchového filtru a vzduchový filtr. (Obr. 61 )

2. Vložte vzduchový filtr do plastového sáčku.
3. Nalijte olej na vzduchové filtry do plastového sáčku. (Obr. 62 )
4. Plastový sáček zmáčkněte, aby se olej rozprostřel po celém vzduchovém filtru.
5. Když je vzduchový filtr ještě v sáčku, zmáčkněte ho, aby z něj vyšel přebytečný olej. Vyndejte vzduchový filtr ze sáčku.
6. Namontujte vzduchový filtr.

## Přidání maziva na ozubený převod

Zkontrolujte, zda je ozubený převod naplněný do 3/4 mazivem.

(Obr. 63 )

## TECHNICKÉ ÚDAJE

	jednotka	129C (A05328CCHV)	129L (A05328CSHV)	129LK (A05328CSHV)
<b>Specifikace motoru</b>				
Zdvihový objem válce	cm <sup>3</sup>	27,6	27,6	27,6
Vzdálenost elektrod	mm	0,5	0,5	0,5
Objem palivové nádrže	cm <sup>3</sup>	343	343	343
Volnoběžné otáčky	min <sup>-1</sup>	2800 až 3200	2800 až 3200	2800 až 3200
Maximální otáčky	min <sup>-1</sup>	8000	8000	8000
Výstupní výkon	kW	0,85	0,85	0,85
Zapalovací svíčka		Husqvarna HQT-4	Husqvarna HQT-4	Husqvarna HQT-4
Maximální otáčky hřídele	min <sup>-1</sup>	8500	7200	7200
<b>Údaje o hluku a vibracích</b>				
Ekvivalentní hladina vibrací (ahv, eq) levá rukojeť – viz poznámka 1	m/s <sup>2</sup>	3,64	9,9	9,9
Ekvivalentní hladina vibrací (ahv, eq) pravá rukojeť – viz poznámka 1	m/s <sup>2</sup>	3,59	8,9	8,9
Hladina akustického výkon, garantovaná (L <sub>WA</sub> ) – viz poznámka 2	dB (A)	114	114	114
Hladina akustického výkon, naměřená (LWA) – viz poznámka 2	dB (A)	106	105	106
Hladina akustického tlaku v uších uživatele – viz poznámka 3	dB (A)	93	95	95
<b>Rozměry produktu</b>				
Hmotnost (bez sekacího ústrojí)	kg	4,61	5,21	5,98

**Poznámka 1:** Uváděná data pro ekvivalentní hladinu vibrací mají typickou statistickou odchylku (standardní odchylku) 1 m/s<sup>2</sup>.

**Poznámka 2:** Emise hluku v životním prostředí měřené jako akustický výkon ( $L_{WA}$ ) v souladu se směrnicí 2000/14/EU. Uváděná hladina akustického výkonu pro stroj byla měřena s originálním řezacím vybavením, které generuje nejvyšší hladinu. Rozdíl mezi garantovaným a měřeným akustickým výkonem je v tom, že garantovaný akustický výkon rovněž zahrnuje rozptyl výsledků měření a rozdíly mezi různými stroji téhož modelu podle Směrnice 2000/14/ES.

**Poznámka 3:** Uváděná data pro ekvivalentní hladinu akustického tlaku pro stroj mají typickou statistickou odchylku (standardní odchylku) 1 dB (A).

## PŘÍSLUŠENSTVÍ

129C		
Schválené příslušenství	Typ	Ochrana řezacího nástavce
Závitová hřídel (3/8 R)		
Strunová hlava	T25 (Ø 2,0–2,4 mm)	580 44 66-10
129L, 129LK		
Schválené příslušenství	Typ	Ochrana řezacího nástavce
Závitová hřídel (M10L)		
Strunová hlava	T25 (Ø 2,0–2,4 mm)	580 44 66-06

Volitelné příslušenství	Typ	Používá se pro:
Přídavný zametač s hřídelem	SR600	129LK
Přídavné nůžky na ploty s hřídelem	HA850	129LK
Přídavný ohraňovač s hřídelem	EA850	129LK
Přídavný křovinořez s hřídelem	PA1100	129LK
Přídavný kultivátor s hřídelem	CA150	129LK
Přídavný vyžinač trávy s hřídelem	TA850	129LK
Přídavný křovinořez s hřídelem	PAX1100	129LK
Přídavný křovinořez s hřídelem	PAX730	129LK

## OBSAH PROHLÁŠENÍ O SHODĚ EU

My, společnost Husqvarna AB, SE 561 82 Huskvarna, ŠVÉDSKO, zcela zodpovědně prohlašujeme, že příslušný výrobek:

Popis	Benzinový vyžinač / křovinořez
Značka	Husqvarna

<b>Popis</b>	<b>Benzinový vyžinač / křovinořez</b>
Platforma / typ / model	Platforma A05328CCHV, příslušný model 129C  Platforma A05328CSHV, příslušné modely 129L a 129LK
Šarže	Výrobní číslo od roku 2013 a dále

je zcela ve shodě s následujícími směrniciemi a předpisy EU:

<b>Směrnice/předpis</b>	<b>Popis</b>
2006/42/EC	„o strojních zařízeních“
2014/30/EU	„o elektromagnetické kompatibilitě“
2000/14/EC	„o venkovním hluku“

Platí následující harmonizované normy a/nebo technické specifikace: EN ISO 12100, EN ISO 11806-1, CISPR 12, ISO 14982

Deklarované úrovně hluku jsou uvedeny v části s technickými údaji této příručky a podepsaném prohlášení o shodě EU ve shodě se směrnicí 2000/14/ES, příloha V.

Společnost TÜV Rheinland N.A. provedla jménem společnosti Husqvarna AB dobrovolnou zkoušku zaručující Certifikát o shodě podle Směrnice 2006/42/ES Evropské rady pro strojní zařízení.

Tento certifikát, který je poskytnut na podepsaném prohlášení o shodě, se vztahuje na všechny výrobní závody a země původu uvedené na produktu.

Dodaný benzinový vyžinač trávy / křovinořez je shodný s exemplářem, který prošel zkouškou.

---

## Sadržaj

---

UVOD.....	144	TEHNIČKI PODACI.....	151
SIGURNOST.....	145	DODACI.....	152
SASTAVLJANJE.....	147	SADRŽAJ EUROPSKE DEKLARACIJE O	
RAD.....	148	USKLAĐENOSTI.....	152
ODRŽAVANJE.....	150	.....	0

---

## UVOD

---

### Korisnički priručnik

Prvi jezik u ovom korisničkom priručniku je engleski. Korisnički priručnici na drugim jezicima prijevod su iz engleskog jezika.

### Pregled

(Sl. 1 )

1. Glava trimera
2. Čep posude za mazivo
3. Pužni zglob
4. Štitnik rezne opreme
5. Vratilo
6. Spojka osovine
7. Okrugla ručka
8. Regulator gasa
9. Prekidač za zaustavljanje
10. Blokada regulatora gasa
11. Kapica za svječiće, svječića
12. Kućište pokretača
13. Drška užeta startera
14. Spremnik za gorivo
15. Poklopac filtra zraka
16. Pumpica za gorivo
17. Poluga čoka
18. Pogonska podloška
19. Priručnik za rukovatelja

### Simboli na proizvodu

- (Sl. 2 ) Upozorenje
- (Sl. 3 ) Pročitajte ovaj priručnik.
- (Sl. 4 ) Koristite odobrenu zaštitu za glavu.
- (Sl. 5 ) Koristite odobrenu zaštitu sluha.
- (Sl. 6 ) Koristite odobrenu zaštitu za oči.
- (Sl. 7 ) Koristite odobrene zaštitne rukavice.
- (Sl. 8 ) Koristite zaštitne cipele/čizme.
- (Sl. 9 ) Proizvod može uzrokovati izbacivanje predmeta koji mogu ozlijediti oči.

- (Sl. 10 ) Proizvod može uzrokovati izbacivanje predmeta koji mogu ozlijediti oči.
- (Sl. 11 ) Maks. brzina izlazne osovine.
- (Sl. 12 ) Sigurna udaljenost
- (Sl. 13 ) Koristite samo odobreni flaks trimera. Nemojte koristiti nož.
- (Sl. 14 ) Nemojte koristiti metalnu reznu opremu.
- (Sl. 15 ) Duga kosa obavezno mora biti iznad ramena.
- (Sl. 16 ) Strelice prikazuju ograničenja položaja ručice.
- (Sl. 17 ) Razina jačine zvuka.
- (Sl. 18 ) Jačina zvuka
- (Sl. 19 ) Proizvod ispunjava mjerodavne direktive EC.
- (Sl. 20 ) Proizvod ispunjava mjerodavne direktive EAC.
- (Sl. 21 ) Proizvod ispunjava mjerodavne direktive u Ukrajini.

---

**Napomena:** Drugi simboli/naljepnice na proizvodu odnose se na zahtjeve za certifikaciju na drugim tržišnim područjima.

---

### Pouzdanost proizvoda

Sukladno zakonima o pouzdanosti proizvoda nismo odgovorni za oštećenja uzrokovana našim proizvodima ako je:

- proizvod nepravilno popravljen.



- proizvod popravljen dijelovima koje nije proizveo proizvođač ili nemaju odobrenje proizvođača.
- proizvod ima dodatnu opremu koje nije proizveo proizvođač ili nemaju odobrenje proizvođača.
- proizvod nije popravljen u odobrenom servisnom centru ili kod ovlaštene osobe.

## SIGURNOST

### Sigurnosne definicije

Definicije u nastavku prikazuju razinu ozbiljnosti svake signalne riječi.



**UPOZORENJE:** Ozljede osoba.



**OPREZ:** Oštećenje proizvoda.

**Napomena:** Informacije olakšavaju korištenje proizvoda.

### Opće sigurnosne upute

- Proizvod koristite ispravno. Nepravilno korištenje može uzrokovati ozljede ili smrt. Proizvod koristite samo za zadatke iz ovog priručnika. Proizvod nemojte koristiti za druge zadatke.
- Poštujte upute iz ovog priručnika. Poštujte sigurnosne simbole i sigurnosne upute. Ako operater ne poštuje upute i simbole, može doći do ozljeda, oštećenja ili smrti.
- Čuvajte ovaj priručnik. Koristite upute za sastavljanje, korištenje i održavanje proizvoda. Koristite upute za pravilnu ugradnju priključaka i dodatne opreme. Koristite isključivo odobrene priključke i dodatnu opremu.
- Nemojte koristiti oštećen proizvod. Pridržavajte se rasporeda održavanja. Provodite samo radove održavanja za koje su u priručniku navedene upute. Svi drugi radovi održavanja moraju se provesti u odobrenom servisnom centru.
- Priručnik ne može sadržavati sve situacije koje mogu nastati prilikom korištenja proizvoda. Budite pažljivi i razumni. Nemojte koristiti ili održavati proizvod ako niste sigurni u situaciju. Informacije zatražite od stručnjaka za proizvod, servisera ili odobrenog servisnog centra.
- Prije sastavljanja, pohrane ili održavanja proizvoda odspojite kabel svjećice.
- Nemojte koristiti proizvod ako su mu promijenjene početne specifikacije. Nemojte mijenjati dio proizvoda bez odobrenja proizvođača. Koristite isključivo dijelove s odobrenjem proizvođača. Nepravilno održavanje može uzrokovati ozljede ili smrt.
- Nemojte udisati pare motora. Dugotrajno udisanje ispušnih para motora opasnost je za zdravlje.
- Proizvod nemojte pokretati u zatvorenom prostoru ili u blizini zapaljivog materijala. Ispušne pare su vruće i mogu sadržavati vruće iskre koje mogu uzrokovati požar. Nedovoljan protok zraka može uzrokovati ozljede ili smrt zbog gušenja ili trovanja ugljičnim monoksidom.
- Prilikom korištenja proizvoda motor stvara elektromagnetsko polje. Elektromagnetsko polje može oštetiti medicinske implantate. Prije uporabe proizvoda obratite se liječniku ili proizvođaču medicinskog implantata.
- Djeci nemojte dopustiti korištenje proizvoda. Osobama koje nisu upoznate s uputama nemojte dopustiti upotrebu proizvoda.
- Osobu smanjenih fizičkih ili mentalnih sposobnosti obavezno nadzirite tijekom korištenja proizvoda. Cijelo vrijeme mora biti prisutna odgovorna odrasla osoba.
- Proizvod zaključajte u prostor u koji je djeci i neovlaštenim osobama onemogućen pristup.
- Proizvod može izbacivati predmete i uzrokovati ozljede. Poštujte sigurnosne upute kako biste smanjili opasnost od ozljede i smrti.
- Nemojte se udaljavati od proizvoda s uključenim motorom.
- Za nezgode je odgovoran korisnik proizvoda.
- Prije korištenja proizvoda provjerite jesu li njegovi dijelovi neoštećeni.
- Prije korištenja proizvoda provjerite jeste li od drugih osoba i životinja udaljeni najmanje 15 m (50'). Certifique-se de que uma pessoa numa área adjacente sabe que irá utilizar o produto.
- Pogledajte nacionalne ili lokalne zakone. Njima u određenim uvjetima može biti sprječeno ili ograničeno korištenje proizvoda.
- Proizvod nemojte koristiti kada ste izmoreni ili pod utjecajem alkohola, droge ili lijekova. To može negativno utjecati na vaš vid, opreznost, sposobnost rasuđivanja ili koordinaciju.

### Sigurnosne upute za rad

- Prije korištenja proizvoda provjerite je li u potpunosti sastavljen.
- Proizvod prije pokretanja pomaknite za 3 m (10') od mjesta punjenja spremnika za gorivo. Proizvod postavite na ravnu površinu. Rezna oprema ne smije dodirivati tlo ili druge predmete.
- Proizvod može uzrokovati izbacivanje predmeta koji mogu ozlijediti oči. Prilikom korištenja stroja obavezno koristite odobrenu zaštitu za oči.

- Budite pažljivi, tijekom rada proizvodu se može približiti dijete bez vašeg znanja.
- Proizvod nemojte koristiti ako se u radnom području zadržavaju druge osobe. Zaustavite proizvod ako druga osoba pristupi radnom području.
- Obavezno kontrolirajte proizvod.
- Nemojte koristiti proizvod ako ne možete primiti pomoć u slučaju nezgode. Prije korištenja proizvoda obavezno obavijestite druge osobe kako namjeravate koristiti proizvod.
- Nemojte se okretati s proizvodom prije nego provjerite ima li drugih osoba ili životinja u sigurnosnom području.
- Prije početka iz radnog područja uklonite sav neželjeni materijal. Ako rezna oprema udari u predmet, može ga izbaciti i uzrokovati ozljedu ili oštećenje. Neželjeni materijal može se omotati oko rezne opreme i oštetiti ju.
- Proizvod nemojte koristiti po lošem vremenu (magla, kiša, jaki vjetar, opasnost od grmljavine ili drugi nepovoljni vremenski uvjeti). Loše vrijeme može uzrokovati opasne uvjete (poput skliskih površina).
- Provjerite slobodu kretanja i radite u stabilnom položaju.

(Sl. 22 )

- Prilikom rada s proizvodom osigurajte se od pada. Tijekom rada s proizvodom nemojte ga naginjati.
- Proizvod obavezno držite s obje ruke. Proizvod držite na desnoj strani tijela.

(Sl. 23 )

- Proizvod koristite s reznom opremom ispod razine struka.
- Ako je kontrola čoka u položaju čoka pri pokretanju motora, rezna oprema počinje se okretati.
- Nakon zaustavljanja motora nemojte dodirivati konusni zupčanik. Konusni zupčanik je vruć nakon zaustavljanja motora. Vruća područja mogu uzrokovati ozljede.
- Prije prenošenja proizvoda zaustavite motor.
- Proizvod nemojte spuštati uz uključen motor.
- Prije uklanjanja neželjenog materijala s proizvoda zaustavite motor i pričekajte na zaustavljanje rezne opreme. Prije nego vi ili pomoćnik počnete uklanjati rezani materijal, pričekajte na zaustavljanje rezne opreme.

## Oprema za osobnu zaštitu

- Prilikom korištenja stroja obavezno koristite prikladnu opremu za osobnu zaštitu. Oprema za osobnu zaštitu ne poništava opasnost od ozljede. Oprema za osobnu zaštitu smanjuje ozbiljnost ozljede u slučaju nezgode.
- Tijekom korištenja stroja obavezno koristite odobrenu zaštitu za oči.
- Proizvod nemojte koristiti bez obuće ili s otvorenim cipelama. Obavezno koristite čizme za teške uvjete rada otporne na klizanje.
- Nosite teške, duge hlače.

- Po potrebi nosite odobrene zaštitne rukavice.
- Ako postoji opasnost od padanja predmeta na glavu, nosite kacigu.
- Tijekom korištenja stroja obavezno koristite odobrenu zaštitu sluha. Dugotrajna izloženost buci može uzrokovati gubitak sluha.
- U blizini obavezno imajte kutiju prve pomoći.

## Zaštitni uređaji na proizvodu

- Redovno održavajte proizvod.
  - Time produljujete vijek trajanja proizvoda.
  - Također smanjujete opasnost od nezgoda.

Redovno pregledavajte proizvoda kod odobrenog trgovca ili odobrenog servisera radi provedbe prilagodbi ili popravaka.

- Nemojte koristiti uređaj s oštećenom zaštitnom opremom. Ako je proizvod oštećen, obratite se odobrenom servisnom centru.

## Blokada regulatora gasa

Blokada okidača gasa blokira okidač gasa.

(Sl. 24 )

Pritisnite blokadu regulatora gasa (A) kako biste otpustili regulator gasa (B). Po otpuštanju ručice blokada regulatora gasa i regulator gasa vraćaju se u početni položaje.

1. Regulator gasa (B) mora biti blokiran u praznom hodu prilikom otpuštanja blokade regulatora gasa (A).
2. Pritisnite blokadu regulatora gasa (A) i provjerite vraća li se po otpuštanju u početni položaj.
3. Pritisnite regulator gasa (B) i provjerite vraća li se po otpuštanju u početni položaj.

Pokrenite motor i potom dajte puni gas. Otpustite regulator gasa i provjerite zaustavlja li se rezna oprema. Ako se rezna oprema okreće uz gas u položaju praznog hoda, pregledajte vijak za podešavanje praznog hoda na rasplinjaču.

## Prekidač za zaustavljanje

Pokrenite motor. Provjerite zaustavlja li se motor kada prekidač za zaustavljanje postavite u položaj za zaustavljanje.

(Sl. 25 )

## Štitnik rezne opreme

Štitnik rezne opreme sprječava izbacivanje nepričvršćenog predmeta prema korisniku.

(Sl. 26 )

Pregledajte štitnik rezne opreme i zamijenite ga ako je oštećen. Za reznu opremu koristite isključivo odobreni štitnik.

## Prigušivač

- Nemojte koristiti motor ako je prigušivač oštećen. Oštećen prigušivač povećava razinu buke i opasnost od požara. Imajte protupožarni aparat u blizini.
- Redovno provjeravajte pričvršćenost prigušivača za proizvod.
- Kada je motor uključen nemojte dodirivati motor ili prigušivač. Motor ili prigušivač nemojte dodirivati ni neposredno nakon zaustavljanja motora. Vruće površine mogu uzrokovati ozljede.
- Vrući prigušivač može uzrokovati požar. Budite pažljivi ako proizvod koristite u blizini zapaljivih tekućina ili para.
- Ako je prigušivač oštećen, nemojte dodirivati njegove dijelove. Dijelovi mogu sadržavati kancerogene kemikalije.

## Rezna oprema

- Provodite redovno održavanje. Redovno pregledavajte reznju opremu u ovlaštenom servisnom centru radi prilagodbi ili popravaka.
  - Time povećavate učinkovitost rezne opreme.
  - Tako produljujete vijek trajanja priključaka.
  - Također smanjujete opasnost od nezgoda.
- Koristite isključivo odobrene štitnik rezne opreme. Više informacija potražite u *TEHNIČKI PODACI na stranici 151*.
- Nemojte koristiti oštećenu reznju opremu.

## Glava trimera za travu

- Flaks trimera za travu čvrsto i ravnomjerno zategnite oko bučnja kako biste smanjili vibracije.
- Koristite isključivo odobrene glave trimera za travu i flaks trimera za travu. Pogledajte *TEHNIČKI PODACI na stranici 151*.
- Koristite ispravnu duljinu flaksa trimera za travu. Dugi flaks trimera za travu više opterećuje motor od kratkog flaksa trimera za travu.
- Provjerite ispravnost noža na štitniku rezne opreme.
- Flaks trimera za travu prije postavljanja na proizvod 2 dana natapajte u vodi. Tako produljujete vijek trajanja flaksa trimera za travu.

## Sigurnost pri rukovanju s gorivom

- Nemojte pokretati proizvod ako u njemu ima goriva ili motornog ulja. Uklonite neželjeno gorivo/ulje i pričekajte na sušenje proizvoda. Uklonite neželjeno gorivo iz proizvoda.

- Ako gorivo proljeće po odjeći, odmah ju zamijenite.
- Gorivu nemojte dopustiti kontakt s tijelom jer može uzrokovati ozljede. Ako dođe do kontakta goriva s tijelom, sapunom i vodom isperite gorivo.
- Nemojte pokretati motor ako ste po proizvodu ili tijelu proliili gorivo.
- Nemojte pokretati proizvod ako motor propušta. Redovito pregledavajte ima li na motoru propuštanja.
- Budite pažljivo s gorivom. Gorivo je zapaljivo, a pare su eksplozivne i mogu uzrokovati ozljede i smrt.
- Nemojte udisati pare goriva, one mogu uzrokovati ozljede. Osigurajte dovoljan protok zraka.
- U blizini goriva ili motora nemojte pušiti.
- U blizinu goriva ili motora nemojte stavljati vruće predmete.
- Nemojte ulijevati gorivo kada je motor uključen.
- Prije ulijevanja goriva provjerite je li motor hladan.
- Prije ulijevanja goriva polako otvorite čep spremnika goriva i pažljivo ispusite tlak.
- Gorivo u motor nemojte ulijevati u zatvorenom prostoru. Nedovoljan protok zraka može uzrokovati ozljede ili smrt zbog gušenja ili trovanja ugljičnim monoksidom.
- Pažljivo zategnite čep spremnika goriva kako ne biste uzrokovali požar.
- Prije pokretanja proizvod odmaknite najmanje 3 m (10') od mjesta punjenja spremnika.
- U spremnik za gorivo nemojte uliti previše goriva.
- Provjerite ima li propuštanja pri pomicanju proizvoda ili posude za gorivo.
- Proizvod ili posudu za gorivo nemojte stavljati u blizinu otvorenog plamena, iskri ili lampica. U prostoru za skladištenje ne smije biti otvorenog plamena.
- Za prijenos ili skladištenje goriva koristite isključivo odobrene posude.
- Prije dugotrajnog skladištenja ispraznite spremnik za gorivo. Poštujte lokalne zakone o lokaciji zbrinjavanja goriva.
- Očistite proizvod prije dugotrajnog skladištenja.
- Prije skladištenja stroja uklonite kabel svjećice kako biste spriječili slučajno pokretanje motora.

## Sigurnosne upute za održavanje

- Ako ne možete prilagoditi broj okretaja u praznom hodu za zaustavljanje rezne opreme, obratite se servisnom centru. Nemojte koristiti proizvod dok nije pravilno podešen i popravljen.

---

## SASTAVLJANJE

---



**UPOZORENJE:** Prije sastavljanja proizvoda pročitajte poglavlje o sigurnosti.

### Postavljanje okrugle ručke

1. Postavite okruglu ručku na osovinu u skladu s ilustracijom i zategnite. (Sl. 27 )

2. Okruglu ručku morate pričvrstiti između strelica na osovini.

## Sastavljanje dvodijelne osovine

1. Okrećite kotačić kako biste otpustili spojnicu osovine.(Sl. 28 )
2. Poravnajte jezičak na osovini (A) sa strelicom na spojnici osovine (B).(Sl. 29 )
3. Utiskujte osovinu u spojnicu osovine do pričvršćenja osovine.(Sl. 30 )
4. Prije upotrebe proizvoda obavezno zategnite kotačić. (Sl. 31 )

## Rastavljanje dvodijelne osovine

1. Okrećite kotačić kako biste otpustili spojnicu osovine.(Sl. 32 )
2. Pritisnite i držite tipku (C).(Sl. 33 ) Držite rub motora i izvucite osovinu iz spojnice osovine.

## Sastavljanje rezne opreme

### Pričvršćivanje štitnika rezne opreme i glave trimera (ravna osovina)

1. Štitnik rezne opreme (A) vijkom (L) pričvrstite za osovinu.(Sl. 34 ) Koristite prikladni štitnik rezne opreme i prikladan glavu trimera.

2. Pogonsku podlošku (B) pričvrstite na izlaznu osovinu.
3. Okrećite izlaznu osovinu dok se otvor u pogonskoj podloški ne poravna s otvorom na kućištu mjenjača.
4. U otvor umetnite mali odvijač (C) kako biste zabravili osovinu.(Sl. 35 )
5. Glavu trimera (H) okrećite u smjeru suprotnom od kazaljke na satu kako biste glavu trimera pritegnuli uz kutiju mjenjača. (Lijevi navoji).(Sl. 36 )

### Pričvršćivanje štitnika rezne opreme i glave trimera (zaobljena osovina)

1. Pričvrstite štitnik.(Sl. 37 ) Zategnite maticu.
2. Pričvrstite čašicu za zaštitu od prašine na osovinu. (Sl. 38 )
3. Prilagodljivim ključem zadržite čep za zaštitu od prašine kako biste se uvjerali da se osovina ne okreće.
4. Pričvrstite glavu trimera na osovinu. Okrećite glavu trimera u smjeru suprotnom od kazaljke na satu.

---

## RAD

---



**UPOZORENJE:** Prije korištenja proizvoda pročitajte i usvojite poglavlje o sigurnosti.

## Gorivo

### Korištenje goriva



**OPREZ:** Proizvod ima dvotaktni motor. Koristite mješavinu benzina i dvotaktnog motornog ulja. U mješavini koristite ispravnu količinu ulja. Nepravilan omjer benzina i ulja može oštetiti motor.

### Benzin



**OPREZ:** Nemojte koristiti benzin s oktanskim brojem manjim od 90 RON (87 AKI). Tako možete oštetiti proizvod.



**OPREZ:** Nemojte koristiti benzin s koncentracijom etanola višom od 10% (E10). Tako možete oštetiti proizvod.

- Obavezno koristite bezolovni benzin minimalnog oktanskog broja 90 RON (87 AKI) i s koncentracijom etanola manjom od 10% (E10).

- Ako proizvod koristite redovito i pri visokom broju okretaja, koristite benzin s višim oktanskim brojem.

### Dvotaktno motorno ulje

- Koristite isključivo dvotaktno motorno ulje visoke kvalitete. Koristite isključivo motorno ulje za zračno hlađenje.
- Nemojte koristiti druge vrste ulja.
- Omjer mješavine 50:1 (2%)

Benzin	Ulje
1 amer. gal.	77 ml (2,6 oz)
1 UK gal.	95 ml (3,2 oz)
5 l	100 ml (3,4 oz)

### Izrada mješavine goriva

**Napomena:** Za miješanje goriva uvijek koristite čistu posudu za gorivo.

**Napomena:** Nemojte praviti mješavine goriva za razdoblja dulja od 30 dana.

1. Ulijte pola količine benzina.
2. Ulijte cijelu količinu ulja.

3. Zamiješajte mješavinu kako biste pomiješali sastojke.
4. Dodajte preostalu količinu goriva.
5. Zamiješajte mješavinu kako biste pomiješali sastojke.
6. Napunite spremnik goriva.

## Ulijevanje goriva

- Obavezno koristite posudu za gorivo s ventilom za sprječavanje izlijevanja.
- Ako se u posudi nalazi gorivo, izlijte neželjeno gorivo i isušite ju.
- Područje uz čep spremnika goriva mora biti čisto.
- Posude za gorivo protresite prije ulijevanja mješavine u spremnik za gorivo.

## Pokretanje i zaustavljanje

### Prije pokretanja motora

- Pregledajte nedostaju li na proizvodu dijelovi te ima li oštećenih, nepričvršćenih ili istrošenih dijelova.
- Pregledajte matice i vijke.
- Pregledajte filter zraka.
- Provjerite ispravnost rada blokade regulatora gasa i regulatora gasa.
- Provjerite ispravnost rada prekidača za zaustavljanje.
- Pregledajte ima li na proizvodu ispuštanja goriva.
- Provjerite oštrinu i zategnutost lanca pile.

### Pokretanje hladnog motora

1. 10 puta pritisnite pumpicu za gorivo.(Sl. 39 )
2. Regulator čoka povucite prema gore.(Sl. 40 )
3. Kućiste proizvoda lijevom rukom pritisnite uz tlo.(Sl. 41 ) Nemojte nagaziti na proizvod. Polako povlačite ručicu užeta za pokretanje dok ne osjetite otpor. Tada snažno povucite ručicu užeta za pokretanje.

**Napomena:** Tijekom pokretanja motora nemojte povlačiti regulator gasa.

4. Nastavite povlačiti ručicu užeta pokretača do pokretanja ili pokušaja pokretanja motora (maks. 3 povlačenja). Kada započne pokretanje motora, pritisnite regulator čoka. Nastavite povlačiti do pokretanja motora. Nakon pokretanja pričekajte 60 s prije povlačenja regulatora gasa.



**OPREZ:** Uže pokretača nemojte povlačiti dok se ne zaustavi. Nemojte ispuštati potpuno izvučeno uže pokretača. Uže pokretača ispuštajte polako. Nepoštivanjem ovih uputa možete uzrokovati oštećenje motora.

## Pokretanje zagrijanog motora

1. 10 puta pritisnite pumpicu za gorivo.
2. Povlačite uže za pokretanje do pokretanja motora.

## Za zaustavljanje

- Za zaustavljanje motora pritisnite prekidač za zaustavljanje.(Sl. 42 )

**Napomena:** Prekidač za zaustavljanje automatski se vraća u početni položaj.

## Korištenje trimera za travu



**OPREZ:** Nakon svake radnje usporite motor na broj okretaja u praznom hodu. Dugotrajni rad neopterećenog motora pod punim gasom može uzrokovati njegovo oštećenje.

**Napomena:** Pri postavljanju novog flaksa trimera očistite poklopac glave trimera kako biste spriječili vibracije. Pregledajte i po potrebi očistite druge dijelove glave trimera.

## Podrezivanje trave

1. Glavu trimera držite neposredno iznad tla i pod kutom.(Sl. 43 ) Flaks trimera za travu nemojte utiskati u travu.
2. Duljinu flaksa trimera za travu skratite za 10 – 12 cm (4" – 4,75") i smanjite broj okretaja motora kako biste umanjili oštećenje biljaka.
3. Ako kosite travu u blizini predmeta, koristite 80 % gasa.(Sl. 44 )

## Košenje trave

1. Flaks trimera za travu tijekom košenja treba biti paralelan s tlom.(Sl. 45 )
2. Glavu trimera nemojte pritiskati na tlo. Možete oštetiti tlo i proizvod.
3. Nemojte dopustiti neprekidan dodir glave trimera i tla, tako možete oštetiti glavu trimera.
4. Tijekom košenja trave pomicanjem stroja s jedne strane na drugu koristite puni gas.(Sl. 46 ) Flaks trimera za travu treba biti paralelan s tlom.

## Zamjena flaksa trimera

- (Sl. 47 )
- (Sl. 48 )
- (Sl. 49 )
- (Sl. 50 )
- (Sl. 51 )
- (Sl. 52 )
- (Sl. 53 )
- (Sl. 54 )

---

# ODRŽAVANJE

---



**UPOZORENJE:** Prije čišćenja, popravljajanja ili održavanja proizvoda pročitajte i usvojite sigurnosno poglavlje.

## Raspored održavanja

Obavezno pratite raspored održavanja. Intervali su izračunati za dnevno korištenje proizvoda. Intervali se razlikuju ako proizvod ne koristite svaki dan. Provodite samo zahvate održavanja navedene u ovom priručniku. Za radove održavanja koji nisu navedeni u ovom priručniku obratite se odobrenom servisnom centru.

### Tjedno održavanje

- Očistite vanjske površine.
- Provjerite broj okretaja u praznom hodu.
- Provjerite mazivo konusnog zupčanika (ravna osovina).

### Mjesečno održavanje

- Pregledajte ručicu uzeta pokretača i uže pokretača.

### Godišnje održavanje

- Pregledajte svječicu.
- Podmažite kraj pogonske osovine (dvodijelna osovina).
- Očistite vanjske površine rasplinjača te okolne površine.
- Očistite rashladni sustav.
- Pregledajte mrežicu za hvatanje iskri.
- Pregledajte filter goriva.
- Pregledajte ispravnost crijeva za gorivo.
- Pregledajte sve kabele i priključke.

### Održavanje nakon 50 h

- U odobrenom servisnom centru popravite ili zamijenite prigušivač.

## Podešavanje broja okretaja u praznom hodu

- Prije podešavanja broja okretaja u praznom hodu provjerite je li filter zraka čist i je li postavljen poklopac filtra.
  - Broj okretaja u praznom hodu podešavate vijkom za podešavanje broja okretaja u praznom hodu T kojeg možete prepoznati po oznaci "T".
  - Broj okretaja motora u praznom hodu ispravan je kada motor radi ugladeno u svim položajima. Broj okretaja motora u praznom hodu mora biti manji od broja okretaja pri kojem se rezna oprema počinje okretati.
1. Vijak za podešavanje broja okretaja u praznom hodu okrećite u smjeru kazaljke na satu sve dok se rezna oprema ne počne okretati. (Sl. 55 )

2. Vijak za podešavanje broja okretaja u praznom hodu okrećite u smjeru suprotnom od kazaljke na satu sve dok se rezna oprema ne zaustavi.

## Održavanje mrežice za hvatanje iskri

Mrežicu za hvatanje iskri očistite žičanom četkicom. (Sl. 56 )

## Čišćenje rashladnog sustava

Dijelove rashladnog sustava očistite četkicom. (Sl. 57 )

## Pregled svječice



**OPREZ:** Koristite preporučene svječice. Zamjena mora biti jednaka dijelu koji je isporučio proizvođač. Neprikladna svječica može oštetiti proizvod.

1. Svječicu pregledajte kada:
  - a) motor nema snage.
  - b) se motor teško pokreće.
  - c) motor ne radi ispravno u praznom hodu.
2. Ako je motor teško koristiti ili održavati u radu, provjerite ima li na svječici nepoželjnih materijala. Za smanjenje opasnosti od nepoželjnog materijala na elektrodama svječice:
  - a) provjerite ispravnu podešenost broja okretaja u praznom hodu.
  - b) provjerite ispravnost mješavine goriva.
  - c) provjerite je li filter zraka čist.
3. Očistite zaprljanu svječicu. Provjerite jesu li razmaci između elektroda ispravni. (Sl. 58 )
4. Svječicu zamijenite po potrebi.

## Podmazivanje dvodijelne osovine

- Kraj pogonske osovine podmažite nakon svakih 30 h rada. (Sl. 59 )

## Održavanje filtra zraka

### Čišćenje filtra zraka

1. Skinite poklopac filtra zraka i izvadite filter zraka. (Sl. 60 )
2. Očistite filter zraka vrućom sapunicom. Filter zraka mora biti suh prije ugradnje.
3. Ako je filter zraka previše onečišćen i ne možete ga u potpunosti očistiti, zamijenite ga. Oštećeni filter zraka obavezno zamijenite.

4. Ako proizvod ima pjenasti filter zraka, koristite ulje za filter zraka. Ulje za filter zraka nanosite samo na pjenasti filter. Ulje nemojte nanositi na filter od filca.

### Nanošenje ulja za filter zraka na filter zraka



**OPREZ:** Za pjenaste filtra zraka obavezno koristite posebno ulje za filtre goriva. Nemojte koristiti druge vrste ulja.



**UPOZORENJE:** Spriječite kontakt ulja s vašim tijelom.

1. Skinite poklopac filtra zraka i izvadite filter zraka. (Sl. 61 )

2. Filter zraka stavite u plastičnu vrećicu.  
3. Uljite ulje za filter zraka u plastičnu vrećicu. (Sl. 62 )  
4. Pritisnite plastičnu vrećicu kako biste omogućili ravnomjeran raspored ulja u filtru.  
5. Pritisnite filter zraka u vrećici kako biste istisnuli nepotrebno ulje iz zračnog filtra. Izvadite filter zraka iz vrećice.  
6. Ugradite filter zraka.

### Podmazivanje konusnog zupčanika

3/4 konusnog zupčanika mora biti napunjeno mazivom za konusni zupčanik.

(Sl. 63 )

## TEHNIČKI PODACI

	jedinica	129C (A05328CCHV)	129L (A05328CSHV)	129LK (A05328CSHV)
<b>Specifikacije motora</b>				
Zapremnina cilindra	cm <sup>3</sup>	27,6	27,6	27,6
Razmak elektroda	mm	0,5	0,5	0,5
Obujam spremnika za gorivo	cm <sup>3</sup>	343	343	343
Brzina okretaja pri praznom hodu	min <sup>-1</sup>	2800 – 3200	2800 – 3200	2800 – 3200
Broj okretaja za maksimalnu snagu	min <sup>-1</sup>	8000	8000	8000
Snaga	kW	0,85	0,85	0,85
Svjećica		Husqvarna HQT-4	Husqvarna HQT-4	Husqvarna HQT-4
Maksimalna rotacija izlazne osovine	min <sup>-1</sup>	8500	7200	7200
<b>Podaci o buci i vibracijama</b>				
Ekvivalentna razina vibracija (ahv, eq) na lijevoj ručici – pogledajte napomenu 1	m/s <sup>2</sup>	3,64	9,9	9,9
Ekvivalentna razina vibracija (ahv, eq) na desnoj ručici – pogledajte napomenu 1	m/s <sup>2</sup>	3,59	8,9	8,9
Razina jačine zvuka, zajamčena (L <sub>WA</sub> ) – pogledajte napomenu 2	dB (A)	114	114	114
Razina jačine zvuka, izmjerena – pogledajte napomenu 2	dB (A)	106	105	106
Razina pritiska zvuka na uhu korisnika – pogledajte napomenu 3	dB (A)	93	95	95
<b>Dimenzije proizvoda</b>				
Težina (bez rezne opreme)	kg	4,61	5,21	5,98

**Napomena 1:** Podaci o ekvivalentnoj razini vibracije pokazuju tipičnu statističko raspršenje (standardno odstupanje) od 1 m/s<sup>2</sup>.

**Napomena 2:** Emisija buke izmjerena u okolini kao jačina zvuka ( $L_{WA}$ ) sukladno EU Direktivi 2000/14/EC. Navedena razina jakosti zvuka izmjerena je s originalnim priključkom za rezanje koji proizvodi najveću razinu. Razlika između zajamčene i izmjerene razine buke jest da zajamčena razina uključuje i raspršenje rezultata mjerenja i varijacije između različitih uređaja istog modela u skladu s Direktivom 2000/14/EZ.

**Napomena 3:** Navedeni podaci za ekvivalentnu razinu pritiska zvuka za stroj uključuju tipično statističko raspršenje (standardno odstupanje) od 1 dB (A).

## DODACI

129C		
Odobreni dodaci	Vrsta	Štitnik rezne opreme
Osovina s navojem (3/8 R)		
Glava trimera	T25 (Ø 2,0 – 2,4 mm)	580 44 66-10
129L, 129LK		
Odobreni dodaci	Vrsta	Štitnik rezne opreme
Osovina s navojem (M10L)		
Glava trimera	T25 (Ø 2,0 – 2,4 mm)	580 44 66-06

Dodatna oprema dostupna u opciji	Vrsta	Koristi se s
Nastavak za sakupljač s osovinom	SR600	129LK
Nastavak za škare za živicu s osovinom	HA850	129LK
Nastavak za obrezivanje rubnih dijelova s osovinom	EA850	129LK
Nastavak za pilu s osovinom	PA1100	129LK
Nastavak za motokultivator s osovinom	CA150	129LK
Nastavak za trimer za travu s osovinom	TA850	129LK
Nastavak za pilu s osovinom	PAX1100	129LK
Nastavak za pilu s osovinom	PAX730	129LK

## SADRŽAJ EUROPSKE DEKLARACIJE O USKLAĐENOSTI

Tvrtka Husqvarna AB, SE 561 82 Huskvarna, ŠVEDSKA izjavljuje pod izričitom odgovornošću kako je predstavljeni proizvod:

Opis	Benzinski trimer za travu / čistač šikare
Marka	Husqvarna



Opis	Benzinski trimer za travu / čistač šikare
Platforma / Vrsta / Model	Platforma A05328CCHV koja predstavlja model 129C  Platforma A05328CSHV koja predstavlja modele 129L i 129LK
Grupa	Serijski brojevi iz 2013. i noviji

u potpunosti sukladan sljedećim EUr direktivama i propisima:

Direktiva/propis	Opis
2006/42/EC	"koja se odnosi na strojeve"
2014/30/EU	"koja se odnosi na elektromagnetsku kompatibilnost"
2000/14/EC	"koja se odnosi na vanjsku buku"

Primijenjeni su sljedeće usklađene norme i/ili tehničke specifikacije: EN ISO 12100, EN ISO 11806-1, CISPR 12, ISO 14982

U skladu s dodatkom V direktive 2000/14/EC, objavljene vrijednosti zvuka navedene su u odjeljku s tehničkim podacima u ovom priručniku i u potpisanoj EC izjavi o sukladnosti.

TÜV Rheinland N.A. je proveo dobrovoljno ispitivanje za tvrtku Husqvarna AB i izdao certifikaciju za usklađenost s EC Direktivom vijeća 2006/42/EC za strojeve.

Certifikacija u potpisanoj EC izjavi o sukladnosti primjenjiva je za sve proizvodne lokacije i zemlje podrijetla navedene na proizvodu.

Isporučen benzinski trimer za travu / čistač šikare odgovara ispitanoj primjerku.

---

# VSEBINA

---

UVOD.....	154	TEHNIČNI PODATKI.....	161
VARNOST.....	155	DODATNA OPREMA.....	162
SESTAVLJANJE.....	157	VSEBINA IZJAVE ES O SKLADNOSTI.....	162
UPORABA.....	158	.....	0
VZDRŽEVANJE.....	160		

---

## UVOD

---

### Navodila za uporabo

Originalni jezik teh navodil za uporabo je angleščina. Navodila za uporabo v drugih jezikih so prevodi iz angleščine.

### Pregled

(Sl. 1 )

1. Kosilna glava
2. Pokrovček polnilne odprtine za mast
3. Kotni prenos
4. Ščitnik rezalnega priključka
5. Gred
6. Priključek gredi
7. Okrogli ročaj
8. Ročica plina
9. Izklopno stikalo
10. Zaklep ročice plina
11. Pokrov svečke, svečka
12. Ohišje zaganjalnika
13. Ročica zaganjalne vrvice
14. Rezervoar za gorivo
15. Pokrov zračnega filtra
16. Membrana črpalke za gorivo
17. Ročica čoka
18. Pogonski disk
19. Navodila za uporabo

### Znaki na izdelku

- (Sl. 2 ) Pozor
- (Sl. 3 ) Preberite ta navodila.
- (Sl. 4 ) Uporabljajte odobreno zaščitno čelado.
- (Sl. 5 ) Uporabljajte odobreno zaščito za sluh.
- (Sl. 6 ) Uporabljajte odobreno zaščito oči.
- (Sl. 7 ) Uporabljajte odobrene zaščitne rokavice.
- (Sl. 8 ) Uporabljajte zaščitne čevlje/škornje.
- (Sl. 9 ) Izdelek lahko povzroči izmet predmetov, ki lahko poškodujejo oči.

- (Sl. 10 ) Izdelek lahko povzroči izmet predmetov, ki lahko poškodujejo oči.
- (Sl. 11 ) Največja hitrost pogonske gredi.
- (Sl. 12 ) Varna razdalja
- (Sl. 13 ) Uporabljajte samo odobreno kosilno nitko. Ne uporabljajte rezila.
- (Sl. 14 ) Ne uporabljajte kovinskega rezalnega priključka.
- (Sl. 15 ) Dolge lase spnite nad rameni.
- (Sl. 16 ) Puščici prikazujeta meje položaja ročaja.
- (Sl. 17 ) Nivo zvočne moči.
- (Sl. 18 ) Raven hrupa
- (Sl. 19 ) Izdelek je skladen z veljavnimi direktivami ES.
- (Sl. 20 ) Izdelek je skladen z veljavnimi direktivami EAC.
- (Sl. 21 ) Izdelek je skladen z veljavnimi direktivami Ukrajine.

---

**Opomba:** Ostali simboli in oznake na izdelku se nanašajo na zahteve za certifikacijo, ki veljajo za druga komercialna območja.

---

### Odgovornost proizvajalca

Kot je navedeno v zakonodaji, ki ureja odgovornost proizvajalca, ne prevzemamo nikakršne odgovornosti za poškodbe, ki bi jih naši izdelki povzročili v naslednjih primerih:

- Izdelek ni pravilno popravljen.

- Izdelek je popravljen z deli, ki jih ni izdelal ali odobril proizvajalec.
- Na izdelku je nameščena dodatna oprema, ki je ni izdelal ali odobril proizvajalec.
- Izdelek ni bil popravljen v pooblaščenem servisnem centru ali pri pooblaščenem organu.

## VARNOST

### Varnostne definicije

Spodnje definicije označujejo stopnjo resnosti posameznih opozorilnih besed.



**OPOZORILO:** Poškodbe oseb.



**POZOR:** Poškodbe izdelka.

**Opomba:** Te informacije olajšajo uporabo izdelka.

### Splošna varnostna navodila

- Izdelek uporabljajte pravilno. Če izdelka ne uporabljate pravilno, lahko pride do poškodb ali smrti. Izdelek uporabljajte samo za opravila, ki so navedena v tem priročniku. Izdelka ne uporabljajte za druga opravila.
- Sledite navodilom v tem priročniku. Upoštevajte varnostne simbole in navodila. Če uporabnik ne upošteva navodil in simbolov, lahko pride do poškodb ali smrti.
- Priročnika ne zavržite. Sledite navodilom pri sestavljanju, uporabi in vzdrževanju izdelka v brezhibnem stanju. Navodila uporabljajte za pravilno namestitvev priključkov in dodatne opreme. Uporabljajte samo odobrene priključke in dodatno opremo.
- Ne uporabljajte poškodovanega izdelka. Sledite urniku vzdrževanja. Izvajajte samo postopke vzdrževanja, za katere ta priročnik vsebuje navodila. Vse druge postopke vzdrževanja mora izvesti pooblaščen servisni center.
- Ta priročnik ne more vsebovati vseh okoliščin, do katerih lahko pride pri uporabi izdelka. Bodite previdni in ravnajte razumno. Če niste prepričani glede določenih okoliščin, izdelka ne uporabljajte oziroma na izdelku ne izvajajte postopkov vzdrževanja. Za informacije se obrnite na strokovnjaka za izdelek, prodajalca, pooblaščen servisno delavnico ali servisni center.
- Pred sestavljanjem, skladiščenjem in vzdrževanjem izdelka odklopite kabel vžigalne svečke.
- Izdelka ne uporabljajte, če so se spremenile njegove originalne specifikacije. Ne spreminjajte delov izdelka brez vnaprejšnje odobritve proizvajalca izdelka. Uporabljajte samo dele, ki jih je odobril proizvajalec. Zaradi neustreznega vzdrževanja lahko pride do poškodb ali smrti.
- Ne vdihavajte plinov iz motorja. Dolgotrajno vdihavanje izpušnih plinov motorja je zdravju nevarno.
- Izdelka nikoli ne zaganjajte v zaprtih prostorih ali v bližini vnetljivih materialov. Izpušni plini so vroči in lahko vsebujejo iskre, ki lahko povzročijo požar. Ne zadosten pretok zraka lahko povzroči poškodbe ali smrt zaradi zadušitve ali zastrupitve z ogljikovim monoksidom.
- Pri uporabi tega izdelka motor ustvari elektromagnetno polje. Elektromagnetno polje lahko poškoduje medicinske vsadke. Pred uporabo izdelka se posvetujte z zdravnikom in proizvajalcem medicinskih vsadkov.
- Izdelka ne smejo uporabljati otroci. Izdelka ne smejo uporabljati osebe, ki ne poznajo navodil za uporabo.
- Če izdelek uporabljajo osebe z zmanjšanimi fizičnimi ali intelektualnimi sposobnostmi, jih morate nenehno nadzorovati. Vedno mora biti prisotna odgovorna odrasla oseba.
- Izdelek zaklenite na mesto, kamor otroci in nepooblaščen osebe nimajo dostopa.
- Izdelek lahko povzroči izmet predmetov, zaradi česar lahko pride do poškodb. Upoštevajte varnostna navodila, da zmanjšate nevarnost poškodb ali smrti.
- Ko je motor vklopljen, se ne oddaljajte od izdelka.
- Za morebitne nesreče je odgovoren uporabnik izdelka.
- Pred uporabo izdelka se prepričajte, da deli izdelka niso poškodovani.
- Pred uporabo izdelka se prepričajte, da ste od drugih oseb ali živali oddaljeni najmanj 15 m (50 čevljev). Osebe v bližini obvestite, da nameravate izdelek uporabljati.
- Ravnavajte v skladu z nacionalno ali lokalno zakonodajo. Ta lahko v določenih primerih prepreči ali omeji uporabo izdelka.
- Izdelka ne uporabljajte, ko ste utrujeni, ali pod vplivom alkohola, drog ali zdravil. Lahko vplivajo na vid, pozornost, koordinacijo ali presojo.

### Varnostna navodila za uporabo

- Izdelek mora biti pred uporabo popolnoma sestavljen.
- Pred zagonom izdelek premaknite 3 m (10 čevljev) stran od mesta, kjer ste napolnili rezervoar za gorivo. Izdelek postavite na ravno podlago. Zagotovite, da

se rezalni priključek ne dotika tal ali drugih predmetov.

- Izdelek lahko povzroči izmet predmetov, ki lahko poškodujejo oči. Pri uporabi izdelka vedno uporabljajte odobreno zaščitno oči.
- Bodite previdni, saj se lahko izdelku med uporabo brez vaše vednosti približa otrok.
- Izdelka ne uporabljajte, če so na delovnem območju druge osebe. Če na delovno območje vstopi druga oseba, izdelek izklopite.
- Izdelek imejte vedno pod nadzorom.
- Izdelka ne uporabljajte, če v primeru nesreče ne morete pravočasno prejeti pomoči. Preden začnete uporabljati izdelek, druge osebe vedno obvestite, da izdelek nameravate uporabljati.
- Preden izdelek vklopite, se prepričajte, da so druge osebe ali živali ustrezno oddaljene.
- Preden začnete uporabljati izdelek, iz delovnega območja odstranite vse odvečne predmete. Če rezalni priključek trči ob predmet, lahko to povzroči izmet predmeta in posledično poškodbe ali smrt. Odvečni material se lahko navije okrog rezalnega priključka in povzroči poškodbe.
- Izdelka ne uporabljajte v slabih vremenskih razmerah (megla, dež, močan veter, nevarnost strele ipd.). Slabe vremenske razmere lahko ustvarijo nevarne pogoje (npr. spolzke površine).
- Zagotovite, da se lahko prosto premikate in delo opravljate v stabilnem položaju.

(Sl. 22 )

- Zagotovite, da pri uporabi izdelka ne morete pasti. Izdelka med uporabo ne nagibajte.
- Izdelek vedno držite z obema rokama. Izdelek držite ob svojem desnem boku.

(Sl. 23 )

- Rezalni priključek naj bo med uporabo izdelka pod višino pasu.
- Če je ročica čoka ob zagonu motorja v položaju za čok, se začne rezalni priključek vrteti.
- Ko se motor zaustavi, se ne dotikajte kotnega prenosa. Kotni prenos je po zaustavitvi motorja vroč. Če se vročih delov dotikate, lahko pride do poškodb.
- Preden izdelek premikate, izklopite motor.
- Ko je motor vklopljen, izdelka ne odlagajte.
- Preden z izdelka začnete odstranjevati odvečni material, izklopite motor in počakajte, da se rezalni priključek ustavi. Počakajte, da se rezalni priključek ustavi, preden vi ali oseba, ki vam pomaga, začneta odstranjevati razrezan material.

## Osebna zaščitna oprema

- Pri uporabi izdelka vedno uporabljajte ustrezno osebno zaščitno opremo. Uporaba osebne zaščitne opreme ne odpravi vseh morebitnih nevarnosti poškodb. Osebna zaščitna oprema zmanjša stopnjo resnosti poškodb v primeru nesreče.
- Pri uporabi izdelka vedno uporabljajte odobreno zaščitno oči.

- Izdelka ne uporabljajte bosi ali z odprto obutvijo. Vedno uporabljajte trpežno obutev, ki ne drsi.
- Obležene imejte trpežne, dolge hlače.
- Po potrebi uporabljajte odobrene zaščitne rokavice.
- Če obstaja nevarnost poškodb zaradi padajočih predmetov, nosite čelado.
- Pri uporabi izdelka vedno uporabljajte odobreno zaščitno za sluh. Dolgotrajen hrup lahko povzroči izgubo sluha.
- Zagotovite, da je v bližini komplet prve pomoči.

## Varnostne naprave na izdelku

- Izdelek morate redno vzdrževati.
  - Življenjska doba izdelka se podaljša.
  - Nevarnost nesreč se zmanjša.
- Pooblaščen prodajalec ali pooblaščen servisni center naj izdelek redno pregleduje in izvaja nastavitve ter popravila.
- Izdelka ne uporabljajte s poškodovano zaščitno opremo. Če je izdelek poškodovan, se obrnite na pooblaščen servisni center.

## Zaklep ročice plina

Zaklep ročice plina zaklene ročico plina.

(Sl. 24 )

Pritisnite zaklep ročice plina (A), da sprostite ročico plina (B). Ko sprostite ročaj, se zaklep ročice plina in ročica plina samodejno premakneta v začetna položaja.

1. Ko sprostite zaklep ročice plina (A), mora biti ročica plina (B) zaklenjena v položaj prostega teka.
2. Pritisnite zaklep ročice plina (A) in se prepričajte, da se vrne v začetni položaj, ko ga sprostite.
3. Pritisnite ročico plina (B) in se prepričajte, da se vrne v začetni položaj, ko jo sprostite.

Zaženite motor in uporabite polni plin. Spustite ročico plina in preverite, ali se je rezalni priključek ustavil. Če se rezalni priključek vrti, ko je ročica plina v položaju prostega teka, preglejte vijak za prilagoditev prostega teka uplinjača.

## Izklopno stikalo

Zaženite motor. Motor se mora izklopiti, ko izklopno stikalo premaknete v položaj za izklop.

(Sl. 25 )

## Ščitnik rezalnega priključka

Ščitnik rezalnega priključka preprečuje izmet nepritrjenih predmetov v smeri uporabnika.

(Sl. 26 )

Preverite, ali je ščitnik rezalnega priključka poškodovan. Če je poškodovan, ga zamenjajte. Uporabljajte samo odobrene ščitnike za rezalne priključke.

## Dušilnik

- Če je dušilnik poškodovan, motorja ne zaganjajte. Poškodovan dušilnik zviša nivo hrupa in poveča

- nevarnost požara. V bližini vedno imejte gasilni aparat.
- Redno pregledujte, ali ima izdelek nameščen dušilnik.
- Motorja ali dušilnika se ne dotikajte, ko je motor vklopljen. Motorja ali dušilnika se nekaj časa po zaustavitvi motorja ne dotikajte. Če se dotikate vročih površin, lahko pride do poškodb.
- Vroč dušilnik lahko povzroči požar. Bodite previdni, če izdelek uporabljate v bližini vnetljivih tekočin ali hlapov.
- Če je dušilnik poškodovan, se ne dotikajte njegovih notranjih delov. Ti deli lahko vsebujejo določene rakotvorne kemikalije.

## Rezalni priključek

- Izvajajte redne vzdrževalne postopke. Pooblaščen servisni center naj rezalni priključek redno pregleduje in izvaja nastavitve ter popravila.
  - Delovanje rezalnega priključka se izboljša.
  - Življenjska doba rezalnega priključka se podaljša.
  - Nevarnost nesreč se zmanjša.
- Uporabljajte samo odobrena varovala rezalnega priključka. Za več informacij glejte *TEHNIČNI PODATKI na strani 161*.
- Ne uporabljajte poškodovanega rezalnega priključka.

## Kosilna glava

- Kosilno nitko tesno in enakomerno navijte okrog bobna, da zmanjšate tresljaje.
- Uporabljajte samo odobrene kosilne glave in kosilne nitke. Glejte *TEHNIČNI PODATKI na strani 161*.
- Kosilna nitka naj bo ustrezne dolžine. Daljša kosilna nitka porabi več moči motorja kot krajša kosilna nitka.
- Prepričajte se, da rezilo na varovalu rezalnega priključka ni poškodovano.
- Kosilno nitko dva dni namakajte v vodi, preden jo namestite na izdelek. Tako podaljšate življenjsko dobo kosilne nitke.

## Varnost pri delu z gorivom

- Če so na izdelku ostanke goriva ali motornega olja, izdelka ne zaganjajte. Očistite ostanke goriva/olja in počakajte, da se izdelek posuši. Očistite ostanke goriva z izdelka.
- Če se z gorivom polijete po obleki, se nemudoma preoblecite.

- Pazite, da goriva ne polijete po telesu, saj lahko pride do poškodb. Če gorivo polijete po telesu, se očistite z milom in vodo.
- Če se je olje ali gorivo polilo po izdelku ali po vašem telesu, ne zaganjajte motorja.
- Če motor pušča, izdelka ne zaganjajte. Redno preverjajte, ali motor pušča.
- Z gorivom ravnajte previdno. Gorivo je vnetljivo, hlapi pa so eksplozivni, zato lahko pride do poškodb ali smrti.
- Ne vdihavajte hlapov goriva, saj lahko pride do poškodb. Zagotovite zadosten pretok zraka.
- V bližini goriva ali motorja ne kadite.
- Vročih predmetov ne postavljajte v bližino goriva ali motorja.
- Goriva ne dolivajte, ko je motor vklopljen.
- Pred dolivanjem goriva se pripravite, da je motor ohlajen.
- Pred dolivanjem počasi odprite pokrovček posode za gorivo in previdno sprostite pritisk.
- Goriva ne dolivajte v zaprtih prostorih. Ne zadosten pretok zraka lahko povzroči poškodbe ali smrt zaradi zadušitve ali zastrupitve z ogljikovim monoksidom.
- Skrbno privijte pokrovček posode za gorivo, da ne pride do požara.
- Preden izdelek vklopite, ga premaknite najmanj 3 m (10 čevljev) stran od mesta, kjer ste napolnili posodo za gorivo.
- V posodo za gorivo ne nalijte preveč goriva.
- Prepričajte se, da med premikanjem izdelka ali posode za gorivo ne more priti do iztekanja.
- Izdelka ali posode za gorivo ne postavljajte v bližino odprtega ognja, isker ali indikatorskih lučk.
- Prepričajte se, da izdelek med skladiščenjem ni izpostavljen odprtemu ognju.
- Pri premikanju ali skladiščenju goriva uporabljajte samo odobrene posode.
- Pred dolgotrajnim skladiščenjem izpraznite posodo za gorivo. Pri odlaganju goriva ravnajte v skladu z lokalno zakonodajo.
- Pred dolgotrajnim skladiščenjem izdelek očistite.
- Pred skladiščenjem odstranite kabel vžigalne svečke, da preprečite nenameren zagon motorja.

## Varnostna navodila za vzdrževanje

- Če ne morete prilagoditi hitrosti prostega teka, da bi se rezalni priključek ustavil, se obrnite na servisni center. Izdelka ne uporabljajte, dokler ni pravilno nastavljen in je napaka odpravljena.

---

# SESTAVLJANJE

---



**OPOZORILO:** Pred sestavljanjem izdelka preberite poglavje o varnosti.

## Namestitev okroglega ročaja

- Okrogli ročaj namestite na gred, kot je prikazano na sliki, in ga privijte. (Sl. 27)

2. Prepričajte se, da je okrogli ročaj nameščen med oznakami s puščicami na gredi.

## Montaža dvodelne gredi

1. Zavrtite gumbni vijak, da sprostite priključek gredi. (Sl. 28 )
2. Poravnajte nastavek gredi (A) s puščico na priključku (B).(Sl. 29 )
3. Gred potisnite v priključek gredi, da se gred zaskoči. (Sl. 30 )
4. Preden izdelek uporabite, gumbni vijak čvrsto zategnite.(Sl. 31 )

## Razstavljanje dvodelne gredi

1. Zavrtite gumbni vijak, da sprostite priključek gredi. (Sl. 32 )
2. Pritisnite in pridržite gumb (C).(Sl. 33 ) Držite del, kjer je motor, in gred povlecite iz priključka gredi.

## Montaža rezalnega priključka

### Namestitev ščitnika rezalnega priključka in kosilne glave (ravna gred)

1. Ščitnik rezalnega priključka (A) namestite na gred z vijakom (L).(Sl. 34 ) Uporabiti morate ustrezen ščitnik rezalnega priključka in ustrezno kosilno glavo.

2. Namestite pogonski disk (B) na pogonsko gred.
3. Obračajte pogonsko gred, dokler se odprtina v pogonskem disku ne poravna z odprtino v ohišju menjalnika.
4. V odprtino vstavite majhen izvijač (C), da zaklenete gred.(Sl. 35 )
5. Kosilno glavo (H) obrnite v nasprotni smeri vrtenja urinih kazalcev, da kosilno glavo privijete ob menjalnik. (Levi navoji.)(Sl. 36 )

### Namestitev ščitnika rezalnega priključka in kosilne glave (ukrivljena gred)

1. Namestite ščitnik.(Sl. 37 ) Zategnite matico.
2. Na gred namestite zaščito za prah.(Sl. 38 )
3. Zaščito za prah držite z nastavljivim ključem, da preprečite obračanje gredi.
4. Kosilno glavo namestite na gred. Kosilno glavo obrnite v smeri urinega kazalca.

---

## UPORABA

---



**OPOZORILO:** Pred uporabo izdelka morate prebrati in razumeti poglavje o varnosti.

## Gorivo

### Uporaba goriva



**POZOR:** Ta izdelek ima dvotaktni motor. Uporabite mešanico bencina in motornega olja za dvotaktni motorje. Mešanica mora vsebovati ustrezno količino olja. Če je razmerje med bencinom in oljem neustrezno, lahko pride do poškodb motorja.

## Bencin



**POZOR:** Ne uporabljajte bencina, ki ima oktansko število nižje od 90 RON (87 AKI). Izdelek se lahko tako poškoduje.



**POZOR:** Ne uporabljajte bencina, ki ima koncentracijo etanola (E10) višjo od 10 %. Izdelek se lahko tako poškoduje.

- Vedno uporabljajte nov neosvinčeni bencin z oktanskim številom, nižjim od 90 RON (87 AKI), in s koncentracijo etanola, nižjo od 10 % (E10).
- Če izdelek pogosto uporabljate pri visokem številu vrtljajev motorja, uporabljajte bencin z višjim oktanskim številom.

### Motorno olje za dvotaktni motorje

- Uporabljajte samo visokokakovostno motorno olje za dvotaktni motorje. Uporabljajte samo motorno olje za zračno hlajene motorje.
- Ne uporabljajte drugih vrst olja.
- Razmerje mešanice: 50 : 1 (2 %).

Bencin	Olje
1 galona	77 ml (2,6 unče)
1 britanska galona	95 ml (3,2 unče)
5 l	100 ml (3,4 unče)

### Ustvarjanje mešanice goriva

**Opomba:** Za mešanje goriva vedno uporabljajte čisto posodo za gorivo.

---

**Opomba:** Zagotovite, da je mogoče količino mešanice goriva, ki jo ustvarite, porabiti v 30 dneh.

---

1. Dodajte polovico količine bencina.
2. Dodajte celotno količino olja.
3. Posodo z mešanico goriva pretresite, da se vsebina zmeša.
4. Dodajte preostalo količino bencina.
5. Posodo z mešanico goriva pretresite, da se vsebina zmeša.
6. Napolnite rezervoar za gorivo.

## Dolivanje goriva

- Vedno uporabljajte posodo za gorivo z ventilom proti prelivanju.
- Če so na posodi ostanki goriva, posodo očistite in počakajte, da se posuši.
- Zagotovite, da je območje okrog pokrovska rezervoarja čisto.
- Preden mešanico goriva nalijete v rezervoar za gorivo, posodo za gorivo pretresite.

## Zagon in zaustavitev

### Pred zagonom motorja

- Izdelek pregledjte in zagotovite, da na njem ni manjkajočih, poškodovanih ali odvitih delov.
- Pregledjte matice in vijake.
- Pregledjte zračni filter.
- Pregledjte zaklep ročice plina in ročico plina ter zagotovite, da pravilno delujeta.
- Preverite, ali izklopno stikalo pravilno deluje.
- Pregledjte, ali iz izdelka izteka gorivo.
- Pregledjte ostrino in napetost verige.

### Zagon hladnega motorja

1. Desetkrat pritisnite membrano črpalke za gorivo.(Sl. 39 )
2. Povlecite ročico čoka navzgor.(Sl. 40 )
3. Z levo roko pritisnite ohišje izdelka ob tla.(Sl. 41 ) Ne stopajte na izdelek. Počasi povlecite ročico zaganjalne vrvice, dokler ne začutite določenega upora. Nato ročico zaganjalne vrvice močno povlecite.

---

**Opomba:** Med zaganjanjem motorja ne pritiskajte ročice plina.

---

4. Vlecite ročico zaganjalne vrvice, dokler se motor ne zažene oziroma skoraj zažene (največ trije potegi). Ko motor zaženete ali se ta skoraj zažene, ročico čoka potisnite navzdol. Vlecite, dokler se motor ne zažene. Po zagonu počakajte 60 sekund in nato pritisnite ročico plina.



---

**POZOR:** Zaganjalne vrvice ne vlecite, dokler se ne ustavi. Ko je zaganjalna vrstica popolnoma iztegnjena, je ne izpuscite. Zaganjalno vrstico počasi spustite. Če teh navodil ne upoštevate, se lahko motor poškoduje.

---

## Zagon toplega motorja

1. Desetkrat pritisnite membrano črpalke za gorivo.
2. Povlecite zaganjalno vrstico, dokler se motor ne zažene.

## Zaustavitev

- Za zaustavitev motorja pritisnite izklopno stikalo.(Sl. 42 )

---

**Opomba:** Izklopno stikalo se samodejno vrne v začetni položaj.

---

## Uporaba obrezovalnika trave



**POZOR:** Po vsaki uporabi morate motor upočasniti na hitrost prostega teka. Če motor dlje časa deluje pri polnem plinu brez obremenitve, se lahko motor poškoduje.

---

**Opomba:** Ko namestite novo kosilno nitko, očistite pokrov kosilne glave, da preprečite tresljaje. Pregledjte druge dele kosilne glave in jih po potrebi očistite.

---

## Obrezovanje trave

1. Kosilno glavo držite tik nad tlemi pod kotom.(Sl. 43 ) Kosilne nitke ne potiskajte v travo.
2. Skrajšajte kosilno nitko za 10–12 cm (4–4,75 palca) in zmanjšajte število vrtljajev motorja ter tako zmanjšajte tveganje, da bi poškodovali rastline.
3. Ko obrezujete travo v bližini predmetov, uporabljajte 80 % plina.(Sl. 44 )

## Košenje trave

1. Pri košnji naj bo kosilna nitka vedno vzporedna s tlemi.(Sl. 45 )
2. Kosilne glave ne potiskajte ob tla. To lahko povzroči poškodbe tal in izdelka.
3. Kosilna glava se ne sme konstantno dotikati tal, saj se lahko poškoduje.
4. Ko izdelek med košnjo premikate levo in desno, uporabljajte polni plin.(Sl. 46 ) Kosilna nitka naj bo vzporedna s tlemi.

## Zamenjava kosilne nitke

- (Sl. 47 )
- (Sl. 48 )
- (Sl. 49 )
- (Sl. 50 )
- (Sl. 51 )

---

## VZDRŽEVANJE

---



**OPOZORILO:** Pred čiščenjem in izvajanjem popravil ali vzdrževalnih del na izdelku morate prebrati in razumeti poglavje o varnosti.

### Urniki vzdrževanja

Dosledno sledite urniku vzdrževanja. Izračunani intervali veljajo za vsakodnevno uporabo izdelka. Če izdelka ne uporabljate vsak dan, veljajo drugačni intervali. Izvajajte samo postopke vzdrževanja, ki jih vsebuje ta priročnik. Glede drugih postopkov vzdrževanja, ki jih ta priročnik ne vsebuje, se obrnite na pooblaščen servisni center.

#### Tedensko vzdrževanje

- Očistite zunanje površine.
- Preverite hitrost prostega teka.
- Preverite količino masti v kotnem prenosu.

#### Mesečno vzdrževanje

- Preglejte ročico zaganjalne vrvice in zaganjalno vrvico.

#### Letno vzdrževanje

- Preglejte svečko.
- Nanesite mast na končni del pogonske gredi (dvodelna gred).
- Očistite zunanje površine uplinjača in bližnjih območij.
- Očistite hladilni sistem.
- Preglejte lovilnik isker.
- Preglejte filter goriva.
- Preverite, ali je cev goriva poškodovana.
- Preverite vse kable in povezave.

#### Vzdrževanje po 50 urah

- Popravilo ali zamenjavo dušilnika naj izvede pooblaščen servisni center.

### Prilaganje hitrosti prostega teka

- Pred prilaganjem hitrosti prostega teka zagotovite, da je zračni filter čist in da je nameščen pokrov zračnega filtra.
  - Hitrost prostega teka prilagodite s T-vijakom za prilagoditev prostega teka, ki nosi oznako "T".
  - Hitrost prostega teka je nastavljena pravilno, ko motor deluje enakomerno v vsakem položaju. Hitrost prostega teka mora biti nižja od hitrosti, pri kateri se rezalni priključek začne vrteti.
1. Vijak za prilaganje obračajte v smeri urinega kazalca, dokler se rezalni priključek ne začne vrteti. (Sl. 55 )

2. Vijak za prilaganje obračajte v nasprotni smeri vrtenja urinih kazalcev, dokler se rezalni priključek ne ustavi.

### Vzdrževalna dela na lovilniku isker

Mrežico lovilnika isker očistite z žično krtačo. (Sl. 56 )

### Čiščenje hladilnega sistema

S krtačo očistite dele hladilnega sistema.

(Sl. 57 )

### Pregled svečke



**POZOR:** Uporabite priporočeno svečko. Nadomestna svečka naj bo iste vrste kot priložena svečka proizvajalca. Če uporabite neustrezno svečko, se lahko izdelek poškoduje.

1. Preglejte svečko v naslednjih primerih:
  - a) če je moč motorja nizka,
  - b) če se pojavijo težave pri zagonu motorja,
  - c) če motor pri hitrosti prostega teka ne deluje pravilno.
2. Če se pojavijo težave pri zagonu ali delovanju motorja, preverite, ali so se na svečki nabrale obloge. Tveganje za pojav oblog na elektrodah svečke lahko zmanjšate na naslednje načine:
  - a) preverite, ali je hitrost prostega teka pravilno nastavljena,
  - b) zagotovite, da je mešanica goriva ustrezná,
  - c) zagotovite, da je zračni filter čist.
3. Če je svečka umazana, jo očistite. Prepričajte se, da je razmak pri elektrodi pravilen. (Sl. 58 )
4. Svečko po potrebi zamenjajte.

### Nanos masti na dvodelno gred

- Nanesite mast na končni del pogonske gredi na vsakih 30 delovnih ur. (Sl. 59 )

### Vzdrževanje zračnega filtra

#### Čiščenje zračnega filtra

1. Odstranite pokrov zračnega filtra in zračni filter. (Sl. 60 )
2. Zračni filter očistite s toplo milnico. Počakajte, da se zračni filter posuši, preden ga znova namestite.



3. Če je zračni filter preveč umazan, da bi ga lahko temeljito očistili, ga zamenjajte. Če je zračni filter poškodovan, ga zamenjajte.
4. Če ima izdelek penasti zračni filter, nanesite olje za zračni filter. Olje za zračni filter nanesite samo na penasti filter. Olja ne nanašajte na filter iz filca.

### Nanos olja na zračni filter



**POZOR:** Na penaste zračne filtre vedno nanašajte posebno olje za zračni filter. Ne uporabljajte drugih vrst olja.



**OPOZORILO:** Pazite, da olja ne polijete po telesu.

1. Odstranite pokrov zračnega filtra in zračni filter. (Sl. 61 )
2. Zračni filter vstavite v plastično vrečko.
3. V plastično vrečko vlijte olje za zračni filter. (Sl. 62 )
4. Zagotovite, da se olje enakomerno razporedi po celotnem zračnem filtru.
5. Pritisnite na zračni filter v plastični vrečki, da odstranite odvečno količino olja za zračni filter. Zračni filter vzemite iz vrečke.
6. Namestite zračni filter.

### Polnjenje kotnega prenosa z mastjo

Kotni prenos mora biti do treh četrtin napolnjen z mastjo za kotne prenose.

(Sl. 63 )

## TEHNIČNI PODATKI

	enota	129C (A05328CCHV)	129L (A05328CSHV)	129LK (A05328CSHV)
<b>Specifikacije motorja</b>				
Gibna prostornina valja	cm <sup>3</sup>	27,6	27,6	27,6
Razmak med elektrodama	mm	0,5	0,5	0,5
Prostornina rezervoarja za gorivo	cm <sup>3</sup>	343	343	343
Število vrtljajev prostega teka	min <sup>-1</sup>	2800–3200	2800–3200	2800–3200
Najvišja hitrost motorja	min <sup>-1</sup>	8000	8000	8000
Izhodna moč	kW	0,85	0,85	0,85
Svečka		Husqvarna HQT-4	Husqvarna HQT-4	Husqvarna HQT-4
Najvišja izhodna hitrost vrtenja gredi	min <sup>-1</sup>	8500	7200	7200
<b>Podatki o hrupu in vibracijah</b>				
Ekvivalentna raven vibracij (ahv, eq) za levi ročaj – glejte opombo 1	m/s <sup>2</sup>	3,64	9,9	9,9
Ekvivalentna raven vibracij (ahv, eq) za desni ročaj – glejte opombo 1	m/s <sup>2</sup>	3,59	8,9	8,9
Zagotovljen nivo hrupa (L <sub>WA</sub> ) – glejte opombo 2	dB(A)	114	114	114
Izmerjeni nivo hrupa – glejte opombo 2	dB(A)	106	105	106
Stopnja zvočnega tlaka pri ušesu operaterja – glejte opombo 3	dB(A)	93	95	95
<b>Mere izdelka</b>				
Teža (brez rezalne opreme)	kg	4,61	5,21	5,98

**Opomba 1:** Zabeleženi podatki za ekvivalentno raven vibracij imajo tipično statistično razpršitev (standardni odklon)  $1 \text{ m/s}^2$ .

**Opomba 2:** Emisije hrupa v okolju, merjene kot moč zvoka ( $L_{WA}$ ), v skladu z direktivo ES 2000/14/ ES. Navedena raven zvočne moči naprave je bila izmerjena z originalnim rezalnim priključkom, ki dosega najvišjo raven. Razlika med zajamčeno in izmerjeno ravno zvočne moči je v tem, da zajamčena raven zvočne moči, v skladu z direktivo 2000/14/ES, vključuje tudi razpršitev izmerjenih vrednosti in razlike med različnimi napravami istega modela.

**Opomba 3:** Podatki za ekvivalentno stopnjo zvočnega tlaka za napravo imajo tipično statistično razpršitev (standardni odklon) v vrednosti 1 dB (A).

## DODATNA OPREMA

129C		
Odobreni dodatki	Vrsta	Varovalo rezalnega priključka
Navojna gred (3/8 R)		
Kosilna glava	T25 (Ø 2,0–2,4 mm)	580 44 66-10
129L, 129LK		
Odobreni dodatki	Vrsta	Ščitnik rezalnega priključka
Navojna gred (M10L)		
Kosilna glava	T25 (Ø 2,0–2,4 mm)	580 44 66-06

Dodatna oprema	Vrsta	Za model
Nastavek za pobiralno napravo z gredjo	SR600	129LK
Priključek za rezanje živih mej z gredjo	HA850	129LK
Robilnik z gredjo	EA850	129LK
Rezalni priključek z gredjo	PA1100	129LK
Kultivatorski priključek z gredjo	CA150	129LK
Obrezovalni priključek z gredjo	TA850	129LK
Rezalni priključek z gredjo	PAX1100	129LK
Rezalni priključek z gredjo	PAX730	129LK

## VSEBINA IZJAVE ES O SKLADNOSTI

Husqvarna AB, SE 561 82 Huskvarna, ŠVEDSKA, izjavlja na lastno odgovornost, da je predstavljeni izdelek:

Opis	Bencinski obrezovalnik trave/motorna kosa
Znamka	Husqvarna

Opis	Bencinski obrezovalnik trave/motorna kosa
Platforma/vrsta/model	Platforma A05328CCHV, natančneje modela 129C  Platforma A05328CSHV, natančneje modelov 129L in 129LK
Serija	Serijske številke od letnika 2013 dalje

so popolnoma v skladu z naslednjimi direktivami in uredbami EU:

Direktiva/uredba	Opis
2006/42/ES	o strojih
2014/30/EU	o elektromagnetni združljivosti
2000/14/ES	o zunanjem hrupu

Harmonizirani standardi in/ali tehnične specifikacije v veljavi: EN ISO 12100, EN ISO 11806-1, CISPR 12, ISO 14982

V skladu z direktivo 2000/14/ES, priloga V, so določene ravni zvoka navedene v poglavju s tehničnimi podatki v tem priročniku in v podpisani izjavi ES o skladnosti.

TÜV Rheinland N.A. je v imenu družbe Husqvarna AB opravil prostovoljen tipski pregled in sestavil dokument Certifikat o skladnosti z direktivo Sveta ES 2006/42/ES o strojih.

Ta certifikat, kot je naveden v podpisani izjavi ES o skladnosti, velja za vse proizvodne lokacije in države porekla, navedene na izdelku.

Dobavljeni bencinski obrezovalniki trave oziroma motorne kose so enaki primerku, na katerem je bil opravljen pregled.

---

# SPIS TREŚCI

---

WSTĘP.....	164	DANE TECHNICZNE.....	171
BEZPIECZEŃSTWO.....	165	AKCESORIA.....	172
MONTAŻ.....	168	TREŚĆ DEKLARACJI ZGODNOŚCI Z	
OBSŁUGA.....	168	NORMAMI WE.....	173
KONSERWACJA.....	170	.....	0

---

## WSTĘP

---

### Instrukcja obsługi

Oryginalnym językiem niniejszej instrukcji obsługi jest angielski. Instrukcje obsługi w innych językach są tłumaczone z angielskiego.

### Przegląd

(Rys. 1 )

1. Głowica żyłkowa
2. Korek wlewu smaru
3. Przekładnia zębata stożkowa
4. Osłona osprzętu tnącego
5. Wałek
6. Złącze wysięgnika
7. Uchwyt pętlowy
8. Spust przepustnicy
9. Wylącznik
10. Blokada wyzwalania przepustnicy
11. Nasadka świecy, świeca zapłonowa
12. Obudowa rozrusznika
13. Rączka linki rozrusznika
14. Zbiornik paliwa
15. Pokrywa filtra powietrza
16. Pompka
17. Dźwignia ssania
18. Pierścień sprzęgający
19. Instrukcja obsługi

### Symbole znajdujące się na produkcie

- (Rys. 2 ) Ostrzeżenie
- (Rys. 3 ) Zapoznać się z niniejszą instrukcją.
- (Rys. 4 ) Stosować atestowane środki ochrony głowy.
- (Rys. 5 ) Stosować atestowane środki ochrony słuchu.
- (Rys. 6 ) Stosować atestowane środki ochrony oczu.
- (Rys. 7 ) Stosować rękawice ochronne.
- (Rys. 8 ) Stosować obuwie ochronne.

(Rys. 9 ) Należy pamiętać o niebezpieczeństwie wyrzucania cząstek ciał stałych, które mogą spowodować uszkodzenie wzroku.

(Rys. 10 ) Należy pamiętać o niebezpieczeństwie wyrzucania cząstek ciał stałych, które mogą spowodować uszkodzenie wzroku.

(Rys. 11 ) Maks. prędkość wałka zdawczego.

(Rys. 12 ) Bezpieczna odległość

(Rys. 13 ) Stosować wyłącznie zatwierdzoną żyłkę do wykaszania. Nie używać ostrza.

(Rys. 14 ) Nie używać metalowych końcówek koszących.

(Rys. 15 ) Związać długie włosy powyżej ramion.

(Rys. 16 ) Strzałki wskazują ograniczenia pozycji uchwytu.

(Rys. 17 ) Poziom mocy akustycznej.

(Rys. 18 ) Poziom hałasu

(Rys. 19 ) Maszyna jest zgodna z odpowiednimi dyrektywami Rady Europejskiej.

(Rys. 20 ) Maszyna jest zgodna z odpowiednimi dyrektywami EAC.

(Rys. 21 ) Maszyna jest zgodna z odpowiednimi dyrektywami obowiązującymi na Ukrainie.

---

**Uwaga:** Pozostałe symbole/naklejki samoprzylepne umieszczone na produkcie dotyczą wymogów związanych z certyfikatami w innych obszarach komercyjnych.

---

## Odpowiedzialność za produkt

Zgodnie z przepisami dotyczącymi odpowiedzialności za produkt nie ponosimy odpowiedzialności za szkody spowodowane przez nasz produkt, jeśli:

- produkt jest nieprawidłowo naprawiany.
- produkt jest naprawiany przy użyciu części niepochodzących od producenta lub niezatwierdzonych przez producenta.

- produkt jest wyposażony w akcesoria niepochodzące od producenta lub niezatwierdzone przez producenta.
- produkt nie jest naprawiany w autoryzowanym centrum serwisowym lub przez autoryzowaną placówkę.

---

## BEZPIECZEŃSTWO

---

### Definicje dotyczące bezpieczeństwa

Poniższe definicje nadają poziom znaczenia każdemu słowu sygnałowemu.



**OSTRZEŻENIE:** obrażenia osób.



**UWAGA:** Uszkodzenie produktu.

**Uwaga:** Ta informacja ułatwia używanie maszyny.

### Ogólne zasady bezpieczeństwa

- Należy prawidłowo używać maszyny. Nieprawidłowe używanie grozi obrażeniami lub śmiercią. Maszyny należy używać wyłącznie do zadań opisanych w niniejszej instrukcji. Nie używać produktu do innych zadań.
- Przestrzegać informacji zawartych w niniejszej instrukcji. Stosować się do symboli i zasad bezpieczeństwa. W przypadku nieprzestrzegania instrukcji i symboli istnieje ryzyko wystąpienia obrażeń, uszkodzeń lub śmierci.
- Nie wolno wyrzucać tej instrukcji. Należy stosować się do instrukcji montażu, obsługi i konserwacji produktu. Należy stosować się do instrukcji montażu osprzętu i akcesoriów. Stosować wyłącznie zatwierdzone osprzęt i akcesoria.
- Nie wolno używać uszkodzonego produktu. Przestrzegać planu konserwacji. Przeprowadzać wyłącznie te prace konserwacyjne, które są opisane w tej instrukcji. Wszystkie inne prace konserwacyjne muszą być wykonywane przez autoryzowane centrum serwisowe.
- Niniejsza instrukcja nie obejmuje wszystkich sytuacji, które mogą wystąpić podczas używania produktu. Należy zachować ostrożność i kierować się zdrowym rozsądkiem. Nie wolno obsługiwać produktu lub wykonywać prac konserwacyjnych w przypadku braku pewności co do danej sytuacji. Skontaktować się ze specjalistą ds. produktu, dealerem, warsztatem obsługi technicznej lub autoryzowanym centrum serwisowym w celu uzyskania informacji.

- Przed przystąpieniem do montażu lub konserwacji oraz na czas długiego przechowywania maszyny odłączyć świecę zapłonową.
- Nie używać produktu w przypadku zmiany jego początkowych specyfikacji. Nie wymieniać części maszyny bez zgody producenta. Używać wyłącznie części zatwierdzonych przez producenta. Nieprawidłowa konserwacja może doprowadzić do obrażeń lub śmierci.
- Nie wdychać spalin z silnika. Długotrwałe wdychanie spalin silnika stanowi zagrożenie dla zdrowia.
- Nigdy nie włączać urządzenia w pomieszczeniach zamkniętych lub w pobliżu materiałów łatwopalnych. Spaliny mają wysoką temperaturę, a ponadto mogą wraz z nimi wydostawać się iskry, dlatego stanowią zagrożenie pożarowe. Niewystarczający przepływ powietrza może doprowadzić do obrażeń lub śmierci na skutek uduszenia lub zatrucia tlenkiem węgla.
- Podczas używania maszyny silnik wytwarza pole elektromagnetyczne. Może ono spowodować uszkodzenie implantów medycznych. Przed użyciem produktu należy skontaktować się z lekarzem oraz producentem implantu medycznego.
- Nie pozwalaj dzieciom używać maszyny. Nie pozwalaj osobom nieznającym instrukcji używać produktu.
- Należy zawsze kontrolować osobę o ograniczonych możliwościach fizycznych lub umysłowych podczas używania produktu. Zawsze musi jej towarzyszyć odpowiedzialna osoba dorosła.
- Przechowywać maszynę w miejscu niedostępnym dla dzieci i nieuprawnionych osób.
- Maszyna może wyrzucać przedmioty i powodować obrażenia. Należy przestrzegać zasad bezpieczeństwa, aby zmniejszyć ryzyko odniesienia obrażeń lub śmierci.
- Nie odchodzić od maszyny podczas pracy silnika.
- Operator maszyny jest odpowiedzialny za ewentualne wypadki.
- Przed przystąpieniem do używania produktu upewnić się, że części nie są uszkodzone.
- Zachować odległość co najmniej 15 m (50 stóp) od innych osób lub zwierząt przed przystąpieniem do używania maszyny. Powiadomić osoby przebywające w pobliżu o zamiarze używania maszyny.

- Stosować się do przepisów krajowych lub lokalnych. Mogą one zabraniać lub ograniczać używanie produktu w niektórych sytuacjach.
- Osoba, która jest zmęczona lub pod wpływem alkoholu, narkotyków lub leków nie może obsługiwać urządzenia. Wymienione substancje mogą negatywnie wpływać na wzrok, zdolność oceny sytuacji i panowanie nad wykonywanymi ruchami.

## Instrukcje bezpieczeństwa dotyczące obsługi

- Przed przystąpieniem do używania produktu upewnić się, że jest on w pełni zmontowany.
- Przed uruchomieniem odsunąć się na odległość 3 m (10 stóp) od miejsca napełniania zbiornika paliwa. Umieścić maszynę na płaskiej powierzchni. Upewnić się, że osprzęt tnący nie dotyka podłoża lub innego przedmiotu.
- Należy pamiętać o niebezpieczeństwie wyrzucania przedmiotów, które mogą spowodować uszkodzenie wzroku. Podczas używania maszyny zawsze stosować zatwierdzoną osłonę oczu.
- Należy zachować ostrożność, ponieważ dziecko może niezauważenie podejść w pobliże urządzenia podczas jego pracy.
- Nie używać maszyny, jeśli w obszarze pracy znajdują się osoby trzecie. Zatrzymać maszynę, jeśli inna osoba znajdzie się w obszarze pracy.
- Zawsze należy zapewniać kontrolę nad maszyną.
- Nie używać maszyny, jeśli otrzymanie pomocy w razie wypadku będzie niemożliwe. Przed przystąpieniem do używania maszyny należy zawsze poinformować wszystkich o zamiarze rozpoczęcia pracy.
- Przed obróceniem się z maszyną należy upewnić się, że wszystkie osoby i zwierzęta znajdują się w bezpiecznym obszarze.
- Przed rozpoczęciem pracy usunąć wszystkie niechciane materiały z obszaru pracy. Jeśli osprzęt tnący zderzy się z jakimś przedmiotem, przedmiot ten może zostać wyrzucony i spowodować obrażenia lub straty materialne. Niechciane materiały mogą owinąć się wokół osprzętu tnącego i spowodować uszkodzenia.
- Nie należy używać produktu przy złej pogodzie (we mgle, w deszczu, przy silnym wietrze, gdy istnieje prawdopodobieństwo wystąpienia burzy lub innych niekorzystnych zjawisk atmosferycznych). Niebezpieczne sytuacje (np. śliska powierzchnia) mogą być spowodowane złą pogodą.
- Należy zapewnić sobie możliwość swobodnego poruszania i pracy w stabilnej pozycji.

(Rys. 22 )

- Należy zabezpieczyć się przed upadkiem podczas używania produktu. Nie pochylać się podczas używania produktu.
- Zawsze należy trzymać maszynę dwiema rękami. Trzymać produkt po prawej stronie tułowia.

(Rys. 23 )

- Obsługiwać urządzenie z osprzętem tnącym poniżej pasa.
- Jeśli dźwignia ssania znajduje się w położeniu ssania w momencie uruchomienia silnika, osprzęt tnący zaczyna się obracać.
- Nie dotykać przekładni zębatej stożkowej po zatrzymaniu silnika. Przekładnia zębata stożkowa może być gorąca. Dotknięcie gorącego obszaru może spowodować obrażenia.
- Wyłączyć silnik przed przemieszczeniem maszyny.
- Nie odkładać maszyny podczas pracy silnika.
- Przed usunięciem niechcianych materiałów z maszyny zatrzymać silnik i poczekać na zatrzymanie osprzętu tnącego. Poczekać na zatrzymanie osprzętu tnącego przed usunięciem ciężego materiału.

## Środki ochrony osobistej

- Zawsze należy stosować prawidłowe środki ochrony osobistej podczas używania produktu. Środki ochrony osobistej nie eliminują ryzyka odniesienia obrażeń. Środki ochrony osobistej zmniejszają powagę obrażeń w razie wystąpienia wypadku.
- Podczas używania produktu zawsze stosować zatwierdzoną osłonę oczu.
- Nie obsługiwać produktu boso lub w otwartym obuwiu. Zawsze nosić wytrzymałe buty z podeszwami zapobiegającymi poślizgnięciu.
- Stosować wytrzymałe, długie spodnie.
- Jeśli to konieczne, nosić zatwierdzone rękawice ochronne.
- Stosować kask, jeśli istnieje ryzyko spadnięcia przedmiotów na głowę.
- Podczas używania produktu zawsze stosować zatwierdzoną osłonę zatwierdzone środki ochrony słuchu. Narażenie na działanie hałasu przez długi czas może spowodować utratę słuchu.
- Należy zadbać o dostępność zestawu pierwszej pomocy.

## Środki zabezpieczające produktu

- Należy zapewnić regularną konserwację produktu.
  - Wydłużyć się czas eksploatacji produktu.
  - Zmniejsza się ryzyko wypadków.

Autoryzowany diler lub autoryzowane centrum serwisowe powinno regularnie sprawdzać produkt w celu przeprowadzenia regulacji lub napraw.

- Nie używać produktu z uszkodzonym wyposażeniem ochronnym. Jeśli produkt jest uszkodzony, skontaktować się z zatwierdzonym centrum serwisowym.

## Blokada wyzwalania przepustnicy

Blokada wyzwalania przepustnicy służy do blokady manetki gazu.

(Rys. 24 )

Nacisnąć blokadę wyzwalania przepustnicy (A), aby zwolnić manetkę gazu (B). Gdy uchwyt zostanie zwolniony, blokada wyzwalania przepustnicy i manetka gazu powracają do pierwotnego położenia.

1. Manetka gazu (B) musi być zablokowana w położeniu biegu jałowego na czas zwalniania blokady wyzwalania przepustnicy (A).
2. Nacisnąć blokadę wyzwalania przepustnicy (A) i sprawdzić, czy po zwolnieniu powraca ona do pierwotnego położenia.
3. Nacisnąć manetkę gazu (B) i sprawdzić, czy po zwolnieniu powraca ona do pierwotnego położenia.

Uruchomić silnik i nacisnąć manetkę do oporu. Zwolnić manetkę gazu i sprawdzić, czy osprzęt tnący zatrzymuje się. Jeśli osprzęt tnący obraca się przy przepustnicy w położeniu biegu jałowego, sprawdzić śrubę regulacji obrotów biegu jałowego gaźnika.

## Wyłącznik

Uruchomić silnik. Sprawdzić, czy silnik wyłącza się po przestawieniu wyłącznika do pozycji zatrzymania.

(Rys. 25)

## Osłona osprzętu tnącego

Osłona osprzętu tnącego zapobiega odrzuceniu luźnego przedmiotu w kierunku operatora.

(Rys. 26)

Sprawdzić osłonę osprzętu tnącego pod kątem uszkodzeń i w razie potrzeby wymienić ją. Używać wyłącznie zatwierdzonej osłony osprzętu tnącego.

## Tłumik

- Nie używać silnika z uszkodzonym tłumikiem. Uszkodzony tłumik zwiększa poziom hałasu i ryzyko pożaru. Przechowywać gaśnicę w pobliżu.
- Regularnie sprawdzać, czy tłumik jest przymocowany do maszyny.
- Nie dotykać silnika ani tłumika podczas pracy silnika. Nie dotykać silnika ani tłumika przez pewien czas po zatrzymaniu silnika. Dotknięcie gorącej powierzchni może spowodować obrażenia.
- Gorący tłumik może wywołać pożar. Należy zachować ostrożność w przypadku używania produktu w pobliżu łatwopalnych cieczy lub oparów.
- Nie dotykać części tłumika, jeśli jest on uszkodzony. Części mogą zawierać rakotwórcze środki chemiczne.

## Osprzęt tnący

- Wykonywać regularne prace konserwacyjne. Autoryzowane centrum serwisowe powinno regularnie sprawdzać osprzęt tnący w celu przeprowadzenia regulacji lub napraw.
  - Wzrasta wydajność osprzętu tnącego.
  - Wydłuża się żywotność osprzętu tnącego.
  - Zmniejsza się ryzyko wypadków.

- Używać wyłącznie zatwierdzonej osłony osprzętu tnącego. Więcej informacji znajduje się w rozdziale *DANE TECHNICZNE na stronie 171*.
- Nie wolno używać uszkodzonego osprzętu tnącego.

## Głowica żyłkowa do trawy

- Ciasno i równo owinąć żyłkę do wykaszania trawy wokół bębna, aby zmniejszyć drgania.
- Używać wyłącznie zatwierdzonych głowic żyłkowych do trawy i żyłek do wykaszania trawy. Patrz *DANE TECHNICZNE na stronie 171*.
- Używać żyłek do wykaszania trawy o odpowiedniej długości. Długa żyłka wymaga większej mocy silnika niż krótka żyłka.
- Upewnić się, że przecinacz na osłonie osprzętu tnącego nie jest uszkodzony.
- Pozostawić żyłkę do wykaszania trawy w wodzie na 2 dni przed jej montażem w produkcie. Wydłuży to czas jej eksploatacji.

## Zasady bezpieczeństwa - paliwo

- Nie uruchamiać produktu, jeśli znajduje się na nim paliwo lub olej silnikowy. Usunąć zabrudzenia paliwem/olejem i odczekać, aż produkt wyschnie. Usunąć niepożądane paliwo z produktu.
- W przypadku rozlania paliwa na ubranie należy je natychmiast zmienić.
- Nie dopuścić do kontaktu paliwa z ciałem, ponieważ może to spowodować obrażenia. Jeśli dojdzie do kontaktu paliwa z ciałem, zmyć paliwo używając wody z mydłem.
- Nie uruchamiać silnika, jeśli doszło do rozlania paliwa lub oleju na maszynę lub na ciało.
- Nie uruchamiać maszyny, jeśli silnik jest nieszczelny. Regularnie sprawdzać silnik pod kątem nieszczelności.
- Zachować ostrożność przy pracy z paliwem. Paliwo jest łatwopalne, a jego opary mogą wybuchnąć, powodując obrażenia lub śmierć.
- Nie wdychać oparów paliwa, ponieważ może to być groźne dla zdrowia lub życia. Zapewnić odpowiednią wentylację.
- Nie palić tytoniu w pobliżu paliwa lub silnika.
- Nie umieszczają gorących przedmiotów w pobliżu paliwa lub silnika.
- Nie dolewać paliwa podczas pracy silnika.
- Przed tankowaniem upewnić się, że silnik jest zimny.
- Przed tankowaniem pomalować odkręcić korek zbiornika paliwa i ostrożnie zwolnić ciśnienie.
- Nie dolewać paliwa do silnika w zamkniętym pomieszczeniu. Niewystarczający przepływ powietrza może doprowadzić do obrażeń lub śmierci na skutek uduszenia lub zatrucia tlenkiem węgla.
- Dokładnie dokręcić korek zbiornika paliwa, aby nie dopuścić do pożaru.
- Przed uruchomieniem przesunąć produkt o co najmniej 3 m (10 stóp) od miejsca, w którym było dolewane paliwo.

- Nie wlewać zbyt dużo paliwa do zbiornika.
- Podczas ruchu produktu lub pojemnika na paliwo istnieje niebezpieczeństwo wycieku paliwa. Podjąć odpowiednie działania, aby nie dopuścić do wycieku.
- Nie umieszczać produktu lub pojemnika na paliwo w pobliżu otwartego płomienia, iskry lub płomienia zapłonowego. Należy upewnić się, że w miejscu przechowywania nie ma źródła otwartego płomienia.
- Do transportu i przechowywania paliwa należy używać wyłącznie zatwierdzonych zbiorników.
- Opróżnić zbiornik paliwa przed długim przechowywaniem. Przestrzegać lokalnych przepisów dotyczących utylizacji paliwa.
- Wyczyścić maszynę przed długim przechowywaniem.

- Odłączyć przewód świecy zapłonowej przed przechowywaniem produktu, aby uniemożliwić przypadkowe uruchomienie silnika.

## Instrukcje bezpieczeństwa dotyczące konserwacji

- Jeśli nie jest możliwe wyregulowanie obrotów biegu jałowego w celu zatrzymania osprzętu tnącego, skontaktować się z centrum serwisowym. Nie należy używać produktu, dopóki nie zostanie prawidłowo wyregulowany lub naprawiony.

---

## MONTAŻ

---



**OSTRZEŻENIE:** Przed przystąpieniem do montażu produktu zapoznać się z rozdziałem dotyczącym bezpieczeństwa.

### Montaż osprzętu tnącego

#### Montaż osłony osprzętu tnącego i głowicy żyłkowej (wałek prosty)

1. Przymocować osłonę osprzętu tnącego (A) do wałka za pomocą śruby (L).(Rys. 34 ) Należy używać prawidłowej osłony osprzętu tnącego i odpowiedniej głowicy żyłkowej.
2. Przymocować tarczę zabierakową (B) do wałka zdawczego.
3. Obrócić wałek zdawczy tak, aby otwór tarczy zbierakowej wyrównał się z otworem w obudowie przekładni.
4. Umieścić niewielki wkrętak (C) w otworze, aby zablokować wałek.(Rys. 35 )
5. Obrócić głowicę żyłkową (H) w lewo, aby dokręcić ją do skrzyni biegów. (Lewe gwinty).(Rys. 36 )

#### Montaż osłony osprzętu tnącego i głowicy żyłkowej (wałek zakrzywiony)

1. Przymocować osłonę.(Rys. 37 ) Dokręcić nakrętkę.
2. Przymocować osłonę przeciwpylową na osi drążka. (Rys. 38 )
3. Przytrzymać pokrywę przeciwpylową kluczem nastawnym, aby nie dopuścić do obrócenia się wałka.
4. Przymocować głowicę żyłkową do wałka. Obrócić głowicę żyłkową w prawo.

### Mocowanie uchwytu pałkowego

1. Przymocować uchwyt pałkowy do wału zgodnie z ilustracją i dokręcić.(Rys. 27 )
2. Należy upewnić się, że uchwyt pałkowy jest zamontowany między strzałkami znajdującymi się na wałku.

### Montaż wałka dwuczęściowego

1. Przekręcić pokrętko, aby poluzować złącze wałka. (Rys. 28 )
2. Wyrównać wypust wałka (A) ze strzałką na złączce wałka (B).(Rys. 29 )
3. Wepchnąć wałek w złącze wałka aż do jego zamocowania.(Rys. 30 )
4. Przed przystąpieniem do użytkowania produktu należy się upewnić, że pokrętko zostało dokręcone. (Rys. 31 )

### Demontaż wałka dwuczęściowego

1. Przekręcić pokrętko, aby poluzować złącze wałka. (Rys. 32 )
2. Wcisnąć i przytrzymać przycisk (C).(Rys. 33 ) Przytrzymać silnik i wyciągnąć wałek ze złączki.

---

## OBSŁUGA

---



**OSTRZEŻENIE:** Przed przystąpieniem do używania produktu zapoznać się z rozdziałem dotyczącym bezpieczeństwa.

### Paliwo

#### Używanie paliwa



**UWAGA:** Produkt jest wyposażony w silnik dwusuwowy. Używać mieszanki benzyny i oleju do silników dwusuwowych. Upewnić



się, że mieszanka zawiera odpowiednią ilość oleju. Nieprawidłowa proporcja benzyny i oleju może spowodować uszkodzenie silnika.

## Benzyna



**UWAGA:** Nie używać benzyny o liczbie oktanowej niższej niż 90 RON (87 AKI). Niezastosowanie się do tego zalecenia może spowodować uszkodzenie produktu.



**UWAGA:** Nie używać benzyny o stężeniu etanolu większym niż 10% (E10). Niezastosowanie się do tego zalecenia może spowodować uszkodzenie produktu.

- Zawsze należy używać nowej benzyny bezołowiowej o liczbie oktanowej nie mniejszej niż 90 RON (87 AKI) oraz o stężeniu etanolu mniejszym niż 10% (E10).
- Używać benzyny o wyższej liczbie oktanowej, jeśli maszyna często pracuje przy wysokiej prędkości obrotowej silnika.

## Olej do silników dwusuwowych

- Używać wyłącznie wysokiej jakości oleju do silników dwusuwowych. Używać wyłącznie oleju silnikowego do silników chłodzonych powietrzem.
- Nie używać innych rodzajów olejów.
- Proporcje mieszanki to 50:1 (2%)

Benzyna	Olej
1 gal. amerykański	77 ml (2,6 oz)
1 gal. bryt.	95 ml (3,2 oz)
5 l	100 ml (3,4 oz)

## Mieszanie paliwa

**Uwaga:** Do mieszania paliwa zawsze należy używać czystego pojemnika na paliwo.

**Uwaga:** Nie przygotowywać zbyt dużo mieszanki paliwowej. Przygotować maksymalnie ilość wystarczającą na 30 dni.

1. Wlać połowę ilości benzyny.
2. Wlać pełną ilość oleju.
3. Wstrząsnąć mieszankę, aby wymieszać składniki.
4. Wlać pozostałą ilość benzyny.
5. Wstrząsnąć mieszankę, aby wymieszać składniki.
6. Napełnić zbiornik paliwa.

## Dolewanie paliwa

- Zawsze stosować kanister z zabezpieczeniem przeciw przelewaniu paliwa.
- Jeśli na pojemniku znajdują się resztki paliwa, oczyścić pojemnik i zacząć, aż wyschnie.
- Sprawdzić, czy obszar wokół nakrętki zbiornika paliwa jest czysty.
- Wstrząsnąć pojemnik na paliwo przed dolaniem mieszanki paliwowej do zbiornika paliwa.

## Uruchamianie i wyłączenie

### Przed uruchomieniem silnika

- Sprawdzić maszynę pod kątem brakujących, uszkodzonych, poluzowanych lub zużytych części.
- Sprawdzić nakrętki i śruby.
- Sprawdzić filtr powietrza.
- Sprawdzić działanie blokady wyzwalania przepustnicy oraz manetki gazu.
- Sprawdzić działanie przełącznika wyłączenia.
- Sprawdzić urządzenie pod kątem wycieków paliwa.
- Sprawdzić ostrość i napięcie łańcucha piły.

### Uruchamianie zimnego silnika

1. 10 razy nacisnąć pompkę paliwową.(Rys. 39 )
2. Pociągnąć dźwignię ssania do góry.(Rys. 40 )
3. Przycisnąć korpus produktu do ziemi lewą ręką.(Rys. 41 ) Nie stawać na produkcie. Powoli ciągnąć rączkę linki rozrusznika do poczucia oporu. Następnie mocno pociągnąć rączkę.

**Uwaga:** Nie ciągnąć manetki gazu podczas uruchamiania silnika.

4. Ciągnąć rączkę linki rozrusznika, aż silnik zacznie pracować lub wykona kilka obrotów (maks. 3 pociągnięcia). Kiedy silnik zacznie pracować lub wykona kilka obrotów, popchnąć dźwignię ssania w dół. Ciągnąć do czasu uruchomienia silnika. Odczekać 60 sekund po uruchomieniu przed pociągnięciem manetki gazu.



**UWAGA:** Nie ciągnąć linki rozrusznika aż do oporu. Nie puszczać linki rozrusznika, kiedy jest w pełni wyciągnięta. Powoli zwolnić linkę rozrusznika. Nieprzestrzeganie tych instrukcji może spowodować uszkodzenie silnika.

### Uruchamianie rozgrzanego silnika

1. 10 razy nacisnąć pompkę paliwową.
2. Pociągnąć linkę rozrusznika, aż silnik zacznie pracować.

### Zatrzymanie

- Nacisnąć wyłącznik, aby wyłączyć silnik.(Rys. 42 )

---

**Uwaga:** Wyłącznik automatycznie powraca do położenia początkowego.

---

## Obsługa podkaszarki do trawy



**UWAGA:** Po każdym zadaniu należy zmniejszyć prędkość obrotową silnika do obrotów biegu jałowego. Długi czas na pełnym gazie bez obciążenia silnika może spowodować uszkodzenie silnika.

---

**Uwaga:** Czyścić pokrywę głowicy żyłkowej podczas montażu nowej żyłki do wykaszania w celu ograniczenia drgań. Sprawdzić inne części głowicy żyłkowej i wyczyścić je w razie potrzeby.

---

### Podkaszanie trawy

1. Trzymać głowicę żyłkową tuż nad ziemią, przechylając ją lekko pod kątem.(Rys. 43 ) Nie przyciskać żyłki do wykaszania trawy.
2. Skrócić żyłkę do wykaszania trawy o 10–12 cm (4–4,75 cala) i zmniejszyć prędkość obrotową silnika, aby ograniczyć ryzyko uszkodzenia roślin.
3. Wykorzystać przepustnicę w 80% podczas koszenia trawy w pobliżu przedmiotów.(Rys. 44 )

### Koszenie trawy

1. Upewnić się, że żyłka podczas cięcia jest ustawiona równoległe do podłoża.(Rys. 45 )
2. Nie dociskać głowicy żyłkowej do ziemi. Istnieje ryzyko uszkodzenia ziemi i produktu.
3. Nie dopuszczać do ciągłego dotykania ziemi przez głowicę żyłkową, ponieważ może to spowodować uszkodzenie głowicy.
4. Pracować przy całkowicie otwartej przepustnicy podczas przemieszczania produktu na boki podczas cięcia trawy.(Rys. 46 ) Trzymać żyłkę do wykaszania równoległe do ziemi.

### Wymiana żyłki do wykaszania

(Rys. 47 )

(Rys. 48 )

(Rys. 49 )

(Rys. 50 )

(Rys. 51 )

(Rys. 52 )

(Rys. 53 )

(Rys. 54 )

---

## KONSERWACJA

---



**OSTRZEŻENIE:** Przed czyszczeniem, naprawą lub konserwacją produktu zapoznać się z rozdziałem dotyczącym bezpieczeństwa.

---

### Plan konserwacji

Należy przestrzegać planu konserwacji. Interwały są obliczane dla codziennego używania maszyny. Interwały są inne, jeśli maszyna nie jest używana każdego dnia. Przeprowadzać wyłącznie te prace konserwacyjne, które są opisane w tej instrukcji. W sprawie prac konserwacyjnych, których nie opisano w niniejszej instrukcji, skontaktować się z autoryzowanym centrum serwisowym.

#### Przegląd cotygodniowy

- Oczyszczyć powierzchnie zewnętrzne.
- Sprawdzić prędkość obrotową biegu jałowego.
- Sprawdzić smarowanie przekładni zębatej stożkowej (wałek prosty).

#### Przegląd miesięczny

- Sprawdzić łańczkę linka rozrusznika oraz linkę rozrusznika.

#### Konserwacja coroczna

- Sprawdzić świecę zapłonową.

- Nałożyć smar na końcówkę wałka napędowego (wałek dwuczęściowy).
- Oczyszczyć zewnętrzne powierzchnie gaźnika i przylegających obszarów.
- Oczyszczyć system chłodzący.
- Sprawdzić siatkę iskrochronu.
- Sprawdzić filtr paliwa.
- Sprawdzić przewód paliwowy pod kątem uszkodzeń.
- Sprawdzić stan wszystkich przewodów i połączeń.

#### Konserwacja po 50 godzinach pracy

- Naprawić lub wymienić tłumik w autoryzowanym centrum serwisowym.

### Regulacja obrotów biegu jałowego

- Przed regulacją obrotów biegu jałowego sprawdzić, czy filtr powietrza jest czysty i przymocować pokrywę filtra powietrza.
  - Wyregulować obroty biegu jałowego za pomocą śruby regulacji oznaczonej symbolem „T”.
  - Obroty jałowe ustawione są prawidłowo, jeżeli silnik pracuje płynnie w każdym położeniu. Wartość obrotów biegu jałowego powinna być niższa od prędkości obrotowej osprzętu tnącego w momencie rozpoczęcia pracy.
1. Przekręcić śrubę regulacji obrotów biegu jałowego w prawo do momentu, gdy osprzęt tnący zacznie się obracać.(Rys. 55 )

- Przekręcić śrubę regulacji obrotów biegu jałowego w lewo do momentu, gdy osprzęt łączy zatrzyma się.

## Konserwacja chwytacza iskier

Użyć szczotki drucianej do czyszczenia chwytacza iskier.

(Rys. 56)

## Czyszczenie układu chłodzenia

Czyścić części układu chłodzenia szczotką.

(Rys. 57)

## Sprawdzanie świecy zapłonowej



**UWAGA:** Używać zalecanej świecy zapłonowej. Upewnić się, że część zamienna jest taka sama, jak część dostarczona przez producenta. Nieprawidłowa świeca zapłonowa może doprowadzić do uszkodzenia maszyny.

- Sprawdzić świecę zapłonową w poniższych sytuacjach:
  - Silnik ma mało mocy.
  - Silnik trudno się uruchamia.
  - Silnik nie działa prawidłowo przy obrotach biegu jałowego.
- Jeśli silnik trudno się uruchamia lub nie działa prawidłowo, sprawdzić świecę zapłonową pod kątem niepożądanych materiałów. Aby zmniejszyć ryzyko przedostawania się niepożądanych materiałów na elektrody świecy zapłonowej:
  - dopilnować, by obroty biegu jałowego zostały prawidłowo wyregulowane.
  - dopilnować, aby używana była odpowiednia mieszanka paliwowa.
  - zadbać o czystość filtra powietrza.
- Wyczyścić świecę zapłonową, jeśli jest brudna, Z badać, czy odstęp między elektrodami jest prawidłowy. (Rys. 58)
- W razie potrzeby wymienić świecę zapłonową.

## Smarowanie wałka dwuczęściowego

- Nałożyć smar na końcówkę wałka napędowego po każdym 30 godzinach działania. (Rys. 59)

## Konserwacja filtra powietrza

### Czyszczenie filtra powietrza

- Zdjąć pokrywę filtra powietrza i wyjąć filtr powietrza. (Rys. 60)
- Oczyścić filtr powietrza ciepłą wodą z mydłem. Przed zamontowaniem filtra poczekać na jego wyschnięcie.
- Wymienić filtr powietrza, jeśli jest zbyt brudny, aby całkowicie go wyczyścić. Zawsze wymieniać uszkodzony filtr powietrza.
- Jeśli maszyna jest wyposażona w piankowy filtr powietrza, stosować olej do filtrów powietrza. Oleju do filtrów powietrza należy używać wyłącznie do filtrów piankowych. Nie stosować oleju do filtrów włókowych.

### Stosowanie oleju do filtrów powietrza



**UWAGA:** W przypadku piankowych filtrów powietrza zawsze należy stosować specjalny olej do filtrów powietrza. Nie używać innych rodzajów olejów.



**OSTRZEŻENIE:** Nie rozlać oleju na ciało.

- Zdjąć pokrywę filtra powietrza i wyjąć filtr powietrza. (Rys. 61)
- Umieścić filtr powietrza w plastikowej torbie.
- Wlać olej do filtra powietrza do plastikowej torby. (Rys. 62)
- Docisnąć plastikową torbę, aby olej rozprzestrzenił się równo po całym filtrze.
- Nacisnąć filtr powietrza w torbie, aby usunąć zbędny olej. Wyjąć filtr powietrza z torby.
- Zamontować filtr powietrza.

## Smarowanie przekładni zębatej stożkowej

Upewnić się, że przekładnia zębata stożkowa jest napełniona w 3/4 smarem.

(Rys. 63)

## DANE TECHNICZNE

	jednostka	129C (A05328CCHV)	129L (A05328CSHV)	129LK (A05328CSHV)
<b>Specyfikacje silnika</b>				
Pojemność skokowa cylindra	cm <sup>3</sup>	27,6	27,6	27,6

Odstęp między elektrodami	mm	0,5	0,5	0,5
Pojemność zbiornika paliwa	cm <sup>3</sup>	343	343	343
Jałowe obroty	min <sup>-1</sup>	2800–3200	2800–3200	2800–3200
Maksymalna prędkość wyjściowa	min <sup>-1</sup>	8000	8000	8000
Moc wyjściowa	kW	0,85	0,85	0,85
Świeca zapłonowa		Husqvarna HQT-4	Husqvarna HQT-4	Husqvarna HQT-4
Maksymalne obroty wałka zdawczego	min <sup>-1</sup>	8500	7200	7200
<b>Dane dotyczące hałasu i drgań</b>				
Poziom drgań ekwiwalentnych (ahv, eq), lewy uchwyt — patrz Uwaga 1	m/s <sup>2</sup>	3,64	9,9	9,9
Poziom drgań ekwiwalentnych (ahv, eq), prawy uchwyt — patrz Uwaga 1	m/s <sup>2</sup>	3,59	8,9	8,9
Moc akustyczna, gwarantowana (L <sub>WA</sub> ) — patrz Uwaga 2	dB (A)	114	114	114
Moc akustyczna, zmierzona — patrz Uwaga 2	dB (A)	106	105	106
Ciśnienie akustyczne przy uchu operatora — patrzy Uwaga 3	dB (A)	93	95	95
<b>Wymiary produktu</b>				
Ciężar (bez osprzętu tnącego)	kg	4,61	5,21	5,98
<p><b>Ad. 1:</b> Odnotowane dane dotyczące równoważnego poziomu vibracji wykazują typowe rozproszenie statystyczne (odchylenie standardowe) w wysokości 1 m/s<sup>2</sup>.</p> <p><b>Ad. 2:</b> Emisję hałasu do otoczenia zmierzono jako moc akustyczną (L<sub>WA</sub>) zgodnie z dyrektywą WE 2000/14/WE. Odnotowany poziom ciśnienia akustycznego dla urządzenia został zmierzony z oryginalnym osprzętem tnącym, takim który generuje najwyższy poziom hałasu. Różnica pomiędzy gwarantowanym a zmierzonym poziomem ciśnienia akustycznego wynika z tego, że poziom gwarantowany uwzględnia także rozproszenie w wynikach pomiaru oraz różnice pomiędzy różnymi urządzeniami o takim samym oznaczeniu modelowym zgodnie z dyrektywą 2000/14/WE.</p> <p><b>Ad. 3:</b> Odnotowane dane dotyczące równoważnego ciśnienia akustycznego urządzenia wykazują typowe rozproszenie statystyczne (odchylenie standardowe) w wysokości 1 dB(A).</p>				

## AKCESORIA

<b>129C</b>		
<b>Zatwierdzone akcesoria</b>	<b>Typ</b>	<b>Ośłona osprzętu tnącego</b>
Wał gwintowany (3/8 R)		
Głowica żyłkowa	T25 (Ø 2,0–2,4 mm)	580 44 66-10
<b>129L, 129LK</b>		
<b>Zatwierdzone akcesoria</b>	<b>Typ</b>	<b>Ośłona osprzętu tnącego</b>
Wał gwintowany (M10L)		

Głowica żyłkowa	T25 (Ø 2,0–2,4 mm)	580 44 66-06
-----------------	--------------------	--------------

Akcesoria opcjonalne	Typ	Przeznaczone do
Zbieracz z wysięgnikiem	SR600	129LK
Sekator z wysięgnikiem	HA850	129LK
Krawędziarka z wysięgnikiem	EA850	129LK
Piła z wysięgnikiem	PA1100	129LK
Kultywator z wysięgnikiem	CA150	129LK
Wykaszarka do trawy z wysięgnikiem	TA850	129LK
Piła z wysięgnikiem	PAX1100	129LK
Piła z wysięgnikiem	PAX730	129LK

## TREŚĆ DEKLARACJI ZGODNOŚCI Z NORMAMI WE

Firma Husqvarna AB, SE 561 82 Huskvarna, SZWECJA, deklaruje z pełną odpowiedzialnością, że przedstawiony produkt:

Zgodnie z dyrektywą 2000/14/WE, Aneks V, deklarowane wartości dźwięku są podane w rozdziale „Dane techniczne” niniejszej instrukcji i w podpisanej deklaracji zgodności WE.

Opis	Benzynowa podkaszarka do trawy/wykaszarka
Marka	UNIWERSALNE
Platforma/typ/model	Platforma A05328CCHV reprezentująca model 129C  Platforma A05328CSHV reprezentująca modele 129L i 129LK
Partia produkcyjna	Numer seryjny datowany na 2013 i późniejsze

Jednostka certyfikująca TÜV Rheinland N.A. przeprowadziła dobrowolną kontrolę w imieniu firmy Husqvarna AB oraz wydała Certyfikat zgodności poświadczający zgodność z Dyrektywą Rady Europejskiej 2006/42/WE.

Ten certyfikat, załączony na podpisanej Deklaracji zgodności WE, dotyczy wszystkich miejsc produkcji oraz krajów pochodzenia, informacje o których umieszczono na produktach.

Dostarczona benzynowa podkaszarka do trawy/wykaszarka jest zgodna ze specyfikacją prototypu poddanego kontroli.

jest w pełni zgodny z następującymi dyrektywami i przepisami UE:

Dyrektywa/przepis	Opis
2006/42/WE	„maszynowa”
2014/30/UE	„dotycząca zgodności elektromagnetycznej”
2000/14/WE	„dotycząca emisji hałasu”

Odpowiednie zharmonizowane normy oraz parametry techniczne: EN ISO 12100, EN ISO 11806-1, CISPR 12, ISO 14982

---

## Obsah

---

ÚVOD.....	174	TECHNICKÉ ÚDAJE.....	181
BEZPEČNOSŤ.....	175	PRÍSLUŠENSTVO.....	182
MONTÁŽ.....	178	OBSAH VYHLÁSENIA O ZHODE ES.....	183
PREVÁDZKA.....	178	.....	0
ÚDRŽBA.....	180		

---

## ÚVOD

---

### Návod na obsluhu

Pôvodný jazyk tohto návodu na obsluhu je angličtina. Návody na obsluhu v iných jazykoch sú jeho preložené verzie z angličtiny.

### Prehľad

(Obr. 1 )

1. Vyžínacia hlava
2. Viečok plniaceho otvoru maziva
3. Kužeľové ozubené koleso
4. Chránič rezacieho nadstavca
5. Hriadeľ
6. Spojenie hriadeľa
7. Madlové držadlo
8. Ovládač škrtiacej klapky
9. Vypínač
10. Poistka páčky plynu
11. Kryt zapáľovacej sviečky, zapáľovacia sviečka
12. Kryt štartéra
13. Rukoväť štartovacieho lanka
14. Palivová nádrž
15. Kryt vzduchového filtra
16. Nastrekovací balónik
17. Ovládanie sýtiča
18. Hnací disk
19. Návod na použitie

### Symbols na výrobku

(Obr. 2 ) Výstraha

(Obr. 3 ) Prečítajte si tento návod.

(Obr. 4 ) Používajte schválenú ochranu hlavy.

(Obr. 5 ) Používajte schválené chrániče sluchu.

(Obr. 6 ) Používajte schválené chrániče očí.

(Obr. 7 ) Používajte schválené ochranné rukavice.

(Obr. 8 ) Používajte ochrannú obuv/bezpečnostnú obuv.

(Obr. 9 ) Počas používania sa môžu od výrobku odraziť predmety a spôsobiť poranenie očí.

(Obr. 10 ) Počas používania sa môžu od výrobku odraziť predmety a spôsobiť poranenie očí.

(Obr. 11 ) Maximálna rýchlosť výstupného hriadeľa.

(Obr. 12 ) Bezpečná vzdialenosť

(Obr. 13 ) Používajte len chválené žacie lanko. Nepoužívajte kotúč.

(Obr. 14 ) Nepoužívajte rezací nadstavec vyrobený z kovu.

(Obr. 15 ) Ak máte dlhé vlasy, uistite sa, že ich máte zopnuté nahor.

(Obr. 16 ) Šípky zobrazujú obmedzenia pre polohu rukoväte.

(Obr. 17 ) Hladina akustického výkonu.

(Obr. 18 ) Hladina hluku

(Obr. 19 ) Tento výrobok je v súlade s príslušnými smernicami ES.

(Obr. 20 ) Tento výrobok je v súlade s príslušnými smernicami EAC.

(Obr. 21 ) Tento výrobok je v súlade s príslušnými ukrajinskými smernicami.

---

**Poznámka:** Ostatné symboly/emblémy na výrobku odkazujú na požiadavky certifikácie pre ďalšie komerčné oblasti.

---

## Zodpovednosť za výrobok

V súlade s právnymi predpismi upravujúcimi zodpovednosť za výrobok nenesieme zodpovednosť za škody spôsobené našim výrobkom v dôsledku:

- nesprávne vykonanej opravy výrobku,
- opravy výrobku, pri ktorej neboli použité diely od výrobcu alebo diely schválené výrobcom,

- používania príslušenstva od iného výrobcu alebo príslušenstva, ktoré nie je schválené výrobcom,
- opravy výrobku, ktorá nebola vykonaná v schválenom servisnom stredisku alebo schválenými kompetentnými osobami,

## BEZPEČNOSŤ

### Bezpečnostné definície

Nižšie uvedené definície označujú úroveň závažnosti pre každé signálne slovo.



**VÝSTRAHA:** Poranenie osôb.



**VAROVANIE:** Poškodenie výrobku.

**Poznámka:** Táto informácia napomáha k jednoduchšiemu používaniu výrobku.

### Všeobecné bezpečnostné pokyny

- Výrobok používajte správne. Nesprávne používanie môže mať za následok poranenie alebo smrť. Výrobok používajte len na účely uvedené v tomto návode. Výrobok nepoužívajte na iné účely.
  - Dodržiavajte pokyny uvedené v tomto návode. Dodržiavajte bezpečnostné symboly a bezpečnostné pokyny. Ak používateľ nebude dodržiavať uvedené pokyny a symboly, môže dôjsť k poraneniu, poškodeniu alebo smrti.
  - Tento návod nezahadzujte. Tieto pokyny poskytujú všetky potrebné kroky na montáž a prevádzku výrobku a pomôžu vám udržať výrobok v dobrom stave. Tieto pokyny poskytujú všetky potrebné kroky na správnu inštaláciu doplnkov a príslušenstva. Používajte len schválené doplnky a príslušenstvo.
  - Ak sa výrobok poškodí, nepoužívajte ho. Dodržiavajte plán údržby. Vykonávanie len údržby, ku ktorej nájdete pokyny v tomto návode. Všetky ostatné práce týkajúce sa údržby musí vykonať schválené servisné stredisko.
  - Tento návod na obsluhu nezahŕňa všetky situácie, s ktorými sa môžete počas používania tohto výrobku stretnúť. Pri jeho používaní zachovávajte opatnosť a riaďte sa zdravým úsudkom. Výrobok nepoužívajte ani na ňom nevykonávajte žiadnu údržbu, ak s istotou neviete, o aký problém sa jedná. Kontaktujte produktového odborníka, predajcu, servisného zástupcu alebo schválené servisné stredisko a požiadať o informácie.
- používania príslušenstva od iného výrobcu alebo príslušenstva, ktoré nie je schválené výrobcom,
  - opravy výrobku, ktorá nebola vykonaná v schválenom servisnom stredisku alebo schválenými kompetentnými osobami,
- Pred montážou výrobku, jeho uskladnením alebo vykonávaním údržby odpojte kábel zapalovacej sviečky.
  - Výrobok nepoužívajte, ak sa zmenili jeho pôvodné technické špecifikácie. Nevymieňajte diely výrobku bez schválenia výrobcu. Používajte len diely schválené výrobcom. Nesprávna údržba môže mať za následok poranenie alebo smrť.
  - Nevychudajte výpary z motora. Dlhodobé vdychovanie výfukových plynov predstavuje zdravotné riziko.
  - Neštartujte výrobok vo vnútri ani v blízkosti horľavého materiálu. Výfukové plyny sú horúce a môžu obsahovať iskry, ktoré môžu spôsobiť požiar. Nedostatočné prúdenie vzduchu môže spôsobiť poranenie alebo smrť v dôsledku udusenía alebo otravy oxidom uhoľnatým.
  - Počas používania tohto výrobku vytvára motor elektromagnetické pole. Elektromagnetické pole môže poškodiť implantované lekárske prístroje. Pred používaním tohto výrobku sa poraďte sa so svojim lekárom a výrobcom implantovaného lekárskeho prístroja.
  - Nedovoľte, aby výrobok používali deti. Nedovoľte, aby výrobok používali osoby, ktoré nepoznajú potrebné pokyny.
  - Osoby so zníženými fyzickými alebo duševnými schopnosťami musia byť počas používania výrobku vždy pod dozorom. Vyžaduje sa neustála prítomnosť zodpovednej dospeléj osoby.
  - Výrobok bezpečne uzamknite na mieste, ku ktorému nemajú prístup deti a nepovolené osoby.
  - Počas používania sa môžu od výrobku odraziť predmety a spôsobiť poranenia. Dodržiavajte bezpečnostné pokyny, aby ste znížili riziko poranenia alebo smrti.
  - Nevzdalujte sa od výrobku, keď je zapnutý motor.
  - V prípade nehody zodpovedá za následky používateľ.
  - Pred používaním výrobku sa uistite, že nie sú poškodené žiadne diely.
  - Pred používaním výrobku sa uistite, že sa nachádzate minimálne 15 m od iných osôb alebo zvierat. Uistite sa, že osoby v okolí vedia o tom, že budete výrobok používať.

- Dodržiavajte národné alebo miestne právne predpisy. V určitých podmienkach môžu zakazovať alebo obmedzovať prevádzku výrobku.
- Výrobok nepoužívajte, ak ste unavení alebo pod vplyvom alkoholu, drog alebo liekov. Môže to ovplyvniť váš zrak, pozornosť, koordináciu a úsudok.

## Bezpečnostné pokyny pre prevádzku

- Pred používaním sa uistite, že je výrobok plne zmontovaný.
- Pred spustením premiestnite výrobok 3 m od miesta, na ktorom ste plnili palivovú nádrž. Položte výrobok na rovný povrch. Uistite sa, že sa rezací nadstavec nedotýka zeme ani iných predmetov.
- Počas používania sa môžu od výrobku odraziť predmety a spôsobiť poranenie očí. Počas používania výrobku vždy používajte schválené chrániče očí.
- Počas používania dávajte pozor, aby sa do blízkosti výrobku bez vášho vedomia nedostalo dieťa.
- Výrobok nepoužívajte, ak sa v pracovnej zóne nachádzajú iné osoby. Ak sa do pracovnej zóny dostane osoba, výrobok vypnite.
- Uistite sa, že výrobok máte vždy úplne pod kontrolou.
- Výrobok nepoužívajte, ak v prípade nehody nie je k dispozícii pomoc. Pred používaním sa vždy uistite, že ďalšie osoby vedia o tom, že budete výrobok používať.
- Pri otáčaní sa s výrobkom sa najskôr uistite, že sa v bezpečnostnej zóne nenachádzajú žiadne osoby ani zvieratá.
- Skôr ako začnete, odstráňte z pracovnej zóny všetok neželaný materiál. Ak rezací nadstavec narazí na predmet, predmet sa môže odraziť a spôsobiť poranenie alebo viesť k poškodeniu. Neželaný materiál sa môže obmotat' okolo rezacieho nadstavca a viesť k poškodeniu.
- Výrobok nepoužívajte v nepriaznivom počasí (hmla, dážď, silný vietor, riziko zásahu bleskom alebo iné nepriaznivé poveternostné podmienky). Nepriaznivé počasie môže mať za následok vznik nebezpečných podmienok (ako sú napr. klzké povrchy).
- Uistite sa, že sa môžete voľne pohybovať a pracovať v stabilnej polohe.

(Obr. 22 )

- Uistite sa, že počas používania výrobku nemôžete spadnúť. Počas obsluhy výrobku sa nenakláňajte.
- Výrobok vždy držte oboma rukami. Výrobok držte na pravej strane tela.

(Obr. 23 )

- Počas prevádzky držte výrobok s rezacím nadstavcom pod úroveň pásu.
- Ak je ovládanie sytiča počas naštartovania motora v polohe sytiča, rezací nadstavec sa začne otáčať.
- Nedotýkajte sa kuželového prevodu po zastavení motora. Kuželový prevod je po zastavení motora horúci. Horúce plochy môžu spôsobiť poranenie.

- Pred premiestňovaním výrobok vypnite.
- Nekladte výrobok na zem, keď je zapnutý motor.
- Pred odstraňovaním neželaného materiálu z výrobku vypnite motor a počkajte, kým sa rezací nadstavec zastaví. Skôr ako vy alebo iná osoba začne s odstraňovaním nakoseného materiálu, počkajte, kým sa rezací nadstavec zastaví.

## Osobné ochranné prostriedky

- Počas používania výrobku vždy používajte správne osobné ochranné prostriedky. Osobné ochranné prostriedky neznamenajú, že neexistuje nebezpečenstvo poranenia. V prípade nehody môžu osobné ochranné prostriedky znížiť závažnosť poranenia.
- Počas používania výrobku vždy používajte schválené chrániče očí.
- Výrobok neobsluhujte s bosými nohami ani v otvorených topánkach. Vždy noste odolné protišmykové topánky.
- Noste dlhé odolné nohavice.
- V prípade potreby používajte schválené ochranné rukavice.
- Ak existuje riziko poranenia hlavy v dôsledku pádu predmetov, používajte prilbu.
- Počas obsluhy výrobku vždy používate schválenú ochranu uší. Dlhodobé pôsobenie hluku môže mať za následok stratu sluchu.
- Uistite sa, že máte v blízkosti k dispozícii lekárničku.

## Ochranné zariadenia na výrobku

- Uistite sa, že pravidelne vykonávate údržbu výrobku.
  - Predĺžte tak životnosť výrobku.
  - Znížte tak riziko výskytu nehôd.

Výrobok nechajte pravidelne kontrolovať u schváleného predajcu alebo u schválenom servisnom stredisku kvôli potrebným nastaveniam alebo opravám.

- Výrobok nepoužívajte, ak je poškodené ochranné vybavenie. Ak sa výrobok poškodí, kontaktujte schválené servisné stredisko.

## Poistka páčky plynu

Poistka páčky plynu slúži na uzamknutie páčky plynu. (Obr. 24 )

Stlačením poistky páčky plynu (A) uvoľníte páčku plynu (B). Keď pustíte rukoväť, poistka páčky plynu a páčka plynu sa vrátia do východiskovej polohy.

1. Pri uvoľnení poistky páčky plynu (A) sa uistite, že je páčka plynu (B) zaistená v polohe voľnobehu.
2. Stlačte poistku páčky plynu (A) a uistite sa, že sa po uvoľnení vráti do východiskovej polohy.
3. Stlačte páčku plynu (B) a uistite sa, že sa po uvoľnení vráti do východiskovej polohy.

Naštartujte motor a pridajte plný plyn. Uvoľníte páčku plynu a skontrolujte, či sa rezací nadstavec zastaví. Ak



sa rezací nadstavec otáča, keď je páčka plynu v polohe voľnobehu, skontrolujte nastavovaciu skrutku voľnobehu karburátora.

## Vypínač

Naštartujte motor. Uistite sa, že po prepnutí vypínača do polohy zastavenia sa motor zastaví.

(Obr. 25 )

## Chránič rezacieho nadstavca

Chránič rezacieho nadstavca zabráňuje odrazeniu uvoľnených predmetov smerom k používateľovi.

(Obr. 26 )

Skontrolujte, či nie je chránič rezacieho nadstavca poškodený a v prípade potreby ho vymeňte. Používajte len schválený chránič pre rezací nadstavec.

## Tlmič výfuku

- Nepoužívajte motor, ak je tlmič výfuku poškodený. Poškodený tlmič výfuku zvyšuje hladinu hluku a nebezpečenstvo požiaru. Majte poruke hasiaci prístroj.
- Pravidelne kontrolujte, že je tlmič výfuku pripevnený k výrobku.
- Nedotýkajte sa motora ani tlmiča výfuku, keď je motor v prevádzke. Nedotýkajte sa motora ani tlmiča výfuku hneď po vypnutí motora. Horúce povrchy môžu spôsobiť poranenia.
- Horúci tlmič výfuku môže mať za následok vznik požiaru. Pri používaní výrobku v blízkosti horľavých kvapalín alebo plynov zachovajte opatrnosť.
- Ak je tlmič výfuku poškodený, nedotýkajte sa dielov vnútri tlmiča výfuku. Diely môžu obsahovať niektoré karcinogénne chemikálie.

## Rezací nadstavec

- Vykonávajte pravidelnú údržbu. Resací nadstavec nechajte pravidelne kontrolovať v schválenom servisnom stredisku kvôli potrebným úpravám a opravám.
  - Zvýšite tak výkonnosť rezacieho nadstavca.
  - Predĺžite tak životnosť rezacieho nadstavca.
  - Znížite tak riziko výskytu nehôd.
- Používajte len schválený chránič rezacieho nadstavca. Ďalšie informácie sú uvedené v časti *TECHNICKÉ ÚDAJE na strane 181*.
- Nepoužívajte poškodený rezací nadstavec.

## Vyžínacia hlava na trávnik

- Za účelom zníženia vibrácií sa uistite, že žacie lanko trávnik pevne a rovnomerne obmotáte okolo cievky.
- Používajte len schválené vyžínacie hlavy na trávnik a žacie lanká trávnik. Pozrite si časť *TECHNICKÉ ÚDAJE na strane 181*.
- Používajte správnu dĺžku žacieho lanka trávnik. Dlhé žacie lanko trávnik vyžaduje väčší výkon motora ako krátke žacie lanko.

- Uistite sa, že nie je poškodený rezací zub na chrániči rezacieho nadstavca.
- Pred pripevnením k výrobku namočte žacie lanko trávnik na 2 dni do vody. Zvýšite tak životnosť žacieho lanka trávnik.

## Bezpečnosť paliva

- Výrobok neštartujte, ak sú na ňom zvyšky paliva alebo motorového oleja. Odstráňte neželané palivo/ olej a nechajte výrobok vyschnúť. Odstráňte z výrobku neželané palivo.
- Ak vylejete palivo na odev, okamžite sa prelečte.
- Dávajte pozor, aby ste si palivo nevyliali na telo, pretože môže spôsobiť poranenie. Ak si palivo vylejete na telo, umyte sa pomocou mydla a vody.
- Motor neštartujte, ak olej alebo palivo vylejete na výrobok alebo na svoje telo.
- Výrobok neštartujte, ak sa na motore vyskytuje netesnosť. Pravidelne kontrolujte výskyt netesností na motore.
- Pri manipulácii s palivom zachovajte opatrnosť. Palivo je horľavá látka a výpary z paliva sú výbušné a môžu spôsobiť poranenia alebo smrť.
- Vyhňte sa vdychovaniu výparov paliva, pretože môžu spôsobiť poranenie. Zabezpečte dostatočné prúdenie vzduchu.
- V blízkosti paliva alebo motora nefajčite.
- Neukladajte do blízkosti paliva alebo motora teplé predmety.
- Nedopĺňajte palivo, keď je zapnutý motor.
- Pred dopĺňaním paliva sa uistite, že motor vychladol.
- Pred dopĺňaním paliva pomaly otvorte veko palivovej nádrže a opatrne uvoľnite tlak.
- Palivo do motora nedopĺňajte v interiéri.
- Nedostatočné prúdenie vzduchu môže spôsobiť poranenie alebo smrť v dôsledku udusenía alebo otravy oxidom uhoľnatým.
- Starostlivo utiahnite veko palivovej nádrže, inak hrozí riziko vzniku požiaru.
- Pred spustením premiestnite výrobok minimálne 3 m od miesta, na ktorom ste dopĺňali palivo do nádrže.
- Neprepĺňajte palivovú nádrž.
- Pri premiestňovaní výrobku alebo nádoby na palivo sa uistite, že z nich nevyteká palivo.
- Výrobok ani nádobu na palivo neukladajte na miesta s otvoreným ohňom, iskrami alebo trvalým plameňom. Uistite sa, že sa na mieste, na ktorom výrobok uskladníte, nenachádza otvorený oheň.
- Na premiestnenie alebo uskladnenie paliva používajte len schválené nádoby.
- Pred dlhodobým uskladnením vyprázdňte palivovú nádrž. Pri likvidácii paliva dodržiavajte miestne právne predpisy.
- Pred dlhodobým uskladnením výrobok vyčistite.
- Pred odložením odmontujte z výrobku kábel zapalovacej sviečky, aby ste sa uistili, že nedôjde k náhodnému spusteniu motora.

## Bezpečnostné pokyny pre údržbu

- Ak sa vám nepodarí upraviť rýchlosť voľnobehu na zastavenie rezacieho nadstavca, kontaktujte

servisné stredisko. Nepoužívajte výrobok, kým nebol správne nastavený alebo opravený.

## MONTÁŽ



**VÝSTRAHA:** Pred montážou výrobku si prečítajte kapitolu o bezpečnosti.

### Pripojenie oblúkovej rukoväte

1. Podľa pokynov na obrázku pripevnite oblúkovú rukoväť k hriadeľu a utiahnite ju.(Obr. 27 )
2. Uistite sa, že oblúkovú rukoväť pripevníte medzi šípky nachádzajúce sa na hriadeľi.

### Montáž dvojdielneho hriadeľa

1. Otočením otočného gombíka uvoľníte spojku hriadeľa.(Obr. 28 )
2. Zarovnajete úchytku hriadeľa (A) so šípkou na spojke hriadeľa (B).(Obr. 29 )
3. Zatláčte hriadeľ do spojky hriadeľa, až kým sa hriadeľ neupevní na miesto.(Obr. 30 )
4. Pred použitím výrobku sa uistite, že ste utiahli otočný gombík.(Obr. 31 )

### Demontáž dvojdielneho hriadeľa

1. Otočením otočného gombíka uvoľníte spojku hriadeľa.(Obr. 32 )
2. Stlačte a podržte tlačidlo (C).(Obr. 33 ) Podržte koniec zariadenia s motorom a vyťahnite hriadeľ zo spojky hriadeľa.

### Montáž rezacieho nadstavca

#### Upevnenie chrániča rezacieho nadstavca a vyžínacej hlavy (rovný hriadeľ)

1. Pomocou skrutky (L) upevnite chránič rezacieho nadstavca (A) k hriadeľu.(Obr. 34 ) Uistite sa, že použijete správny chránič rezacieho nadstavca a správnu vyžínaciu hlavu.
2. Upevnite hnací disk (B) na výstupný hriadeľ.
3. Otáčajte výstupný hriadeľ, kým sa otvor na hnacom disku nezarovná s otvorom na skrini prevodovky.
4. Zasuňte do otvoru malý skrutkovač (C) a zaistite hriadeľ.(Obr. 35 )
5. Otočením vyžínacej hlavy (H) proti smeru hodinových ručičiek utiahnite a upevnite vyžínaciu hlavu k prevodovke. (Ľavé závitý).(Obr. 36 )

#### Upevnenie chrániča rezacieho nadstavca a vyžínacej hlavy (zakrivený hriadeľ)

1. Pripevnite chránič.(Obr. 37 ) Uťahnite maticu.
2. Pripevnite prachový uzáver na hriadeľ.(Obr. 38 )
3. Pomocou nastaviteľného kľúča podržte prachový uzáver, aby ste zaistili, že sa hriadeľ nebude otáčať.
4. Upevnite vyžínaciu hlavu na hriadeľ. Otočte vyžínaciu hlavu v smere hodinových ručičiek.

## PREVÁDZKA



**VÝSTRAHA:** Pred používaním výrobku si prečítajte kapitolu o bezpečnosti a porozumejte informáciám, ktoré sa v nej uvádzajú.

### Palivo

#### Používanie paliva



**VAROVANIE:** Tento výrobok má dvojtaktný motor. Používajte zmes benzínu a oleja pre dvojtaktné motory. Uistite sa, že do zmesi pridáte správne množstvo oleja. Nesprávny pomer benzínu a oleja môže poškodiť motor.

#### Benzín



**VAROVANIE:** Nepoužívajte benzín s oktánovým číslom menším než 90 RON (87 AKI). Mohlo by to viesť k poškodeniu výrobku.



**VAROVANIE:** Nepoužívajte benzín s vyššou než 10 % koncentráciou etanolu (E10). Mohlo by to viesť k poškodeniu výrobku.

- Vždy používajte nový bezolovnatý benzín s minimálnym oktánovým číslom 90 RON (87 AKI) a maximálne 10 % koncentráciou etanolu (E10).
- Ak výrobok často používate na dlhodobé práce pri vysokých otáčkach, odporúčame používať vysokooktánový benzín.

## Olej pre dvojtaktný motor

- Používajte len vysokokvalitný olej pre dvojtaktné motory. Používajte len olej pre vzduchom chladené motory.
- Nepoužívajte iné typy olejov.
- Pomer zmiešavania je 50:1 (2 %)

Benzín	Olej
1 am. gal.	77 ml (2,6 unce)
1 imperiálny gal.	95 ml (3,2 unce)
5 l	100 ml (3,4 unce)

## Príprava zmesi paliva

**Poznámka:** Na prípravu zmesi paliva vždy použite čistú nádobu na palivo.

**Poznámka:** Pripravte si množstvo zmesi paliva, ktoré vám vydrží max. 30 dní.

1. Pridajte polovičnú dávku benzínu.
2. Pridajte celú dávku oleja.
3. Pretrepaním nádoby zmes paliva premiešajte.
4. Pridajte zvyšné množstvo benzínu.
5. Pretrepaním nádoby zmes paliva premiešajte.
6. Nalejte palivo do palivovej nádrže.

## Pridanie paliva

- Vždy používajte nádobu na palivo s ventilom proti pretečeniu paliva.
- Ak sa palivo vyleje na nádobu, odstráňte neželané palivo a nechajte nádobu vyschnúť.
- Uistite sa, že oblasť okolo veka palivovej nádrže je čistá.
- Pred doplnením paliva do palivovej nádrže nádobu na palivo pretrepte.

## Zapnutie a vypnutie

### Pred naštartovaním motora

- Výrobok skontrolujte, či nemá poškodené, uvoľnené alebo opotrebované diely a či niektoré diely nechýbajú.
- Skontrolujte matice, skrutky a skrutky s maticou.
- Skontrolujte vzduchový filter.
- Skontrolujte, či poisťka páčky plynu a ovládanie plynu fungujú správne.
- Skontrolujte, či vypínač funguje správne.
- Skontrolujte, či z výrobku neuniká palivo.
- Skontrolujte ostrosť a napnutie reťaze pily.

### Štartovanie studeného motora

1. 10-krát stlačte nastrekovací balónik.(Obr. 39 )

2. Potiahnite ovládanie sýtiča smerom nahor.(Obr. 40 )
3. Ľavou rukou držte telo výrobku na zemi.(Obr. 41 ) Na výrobok nestúpajte. Pomaly potiahnite rukoväť štartovacieho lanka, kým nepocítite istý odpor. Potom rukoväť štartovacieho lanka silno potiahnite.

**Poznámka:** Počas štartovania motora neľahajte za páčku plynu.

4. Ťahajte rukoväť štartovacieho lanka, kým sa motor nenaštartuje alebo sa nepokúsi naštartovať (max. 3 potiahnutia). Ak motor naštartuje alebo sa pokúša naštartovať, potlačte ovládanie sýtiča nadol. Pokračujte v ťahaní, kým motor nenaštartuje. Po naštartovaní počkajte 60 sekúnd a až potom potiahnite páčku plynu.



**VAROVANIE:** Štartovacie lanko neľahajte, kým sa nezastaví. Keď je štartovacie lanko úplne vyťahnuté, nepúšťajte ho. Štartovacie lanko pomaly uvoľnite. Nedodržanie týchto pokynov môže viesť k poškodeniu motora.

## Štartovanie teplého motora

1. 10-krát stlačte nastrekovací balónik.
2. Ťahajte štartovacie lanko, kým motor nenaštartuje.

## Vypnutie

- Stlačením vypínača zastavte motor.(Obr. 42 )

**Poznámka:** Vypínač sa automaticky vráti do svojej východiskovej polohy.

## Používanie vyžínacza trávnik



**VAROVANIE:** Uistite sa, že po každom úkone motor spomalí na voľnobežné otáčky. Dlhodobé používanie výrobku na plný plyn bez zaťaženia motora môže viesť k poškodeniu motora.

**Poznámka:** Aby ste zabránili vibráciám, pri prípevňovaní nového žacieho lanka vyčistite vyžínaciu hlavu. Skontrolujte ostatné časti vyžínacej hlavy a v prípade potreby ich vyčistite.

## Vyžíňanie trávy

1. Vyžínaciu hlavu držte okamžite nad zemou a v uhle.(Obr. 43 ) Netlačte žacie lanko trávnik na trávnik.
2. Skrátte dĺžku žacieho lanka trávnik na 10 – 12 cm a znížte otáčky motora, aby ste znížili riziko poškodenia rastlín.
3. Pri kosení trávnik v blízkosti predmetov používajte plyn na 80 %.(Obr. 44 )

## Kosenie trávniku

1. Pri kosení trávniku sa uistite, že je vyžínacie lanko trávniku rovnobežne so zemou. (Obr. 45 )
2. Netlačte vyžínaciu hlavu k zemi. Zem a výrobok sa môžu poškodiť.
3. Dávajte pozor, aby sa vyžínacia hlava nedotýkala nepretržite zeme, pretože sa môže poškodiť.
4. Počas posúvania výrobku zo strany na stranu pri kosení trávniku používajte plný plyn. (Obr. 46 ) Uistite sa, že je žacie lanko trávniku rovnobežne so zemou.

## Výmena žacieho lanka

- (Obr. 47 )  
(Obr. 48 )  
(Obr. 49 )  
(Obr. 50 )  
(Obr. 51 )  
(Obr. 52 )  
(Obr. 53 )  
(Obr. 54 )

# ÚDRŽBA



**VÝSTRAHA:** Pred čistením, opravou a údržbou výrobku si prečítajte kapitolu o bezpečnosti a uistite sa, že rozumiete informáciám, ktoré sú v nej uvedené.

## Plán údržby

Uistite sa, že dodržiavate plán údržby. Intervaly sú vypočítané na základe každodenného používania výrobku. Ak výrobok nepoužívate každý deň, intervaly sa líšia. Vykonávajte len údržbu uvedenú v tomto návode. V súvislosti s inými prácami súvisiacimi s údržbou, ktoré nie sú uvedené v tomto návode, kontaktujte schválené servisné stredisko.

### Týždenná údržba

- Vyčistite vonkajšie povrchy.
- Skontrolujte voľnobežné otáčky.
- Skontrolujte mazivo kuželového prevodu (rovny hriadeľ).

### Mesačná údržba

- Skontrolujte rukoväť štartovacieho lanka a štartovacie lanko.

### Ročná údržba

- Skontrolujte zapaľovaciu sviečku.
- Naneste mazivo na koncovú časť hnacieho hriadeľa (dvojdielny hriadeľ).
- Vyčistite vonkajšie povrchy karburátora a príslahlé miesta.
- Vyčistite chladiaci systém.
- Skontrolujte kryt na ochranu pred iskrami.
- Skontrolujte palivový filter.
- Skontrolujte, či nie je poškodená palivová hadica.
- Skontrolujte všetky káble a konektory.

### Údržba po 50 hodinách

- Požiadajte schválené servisné stredisko o opravu alebo výmenu tmiča výfuku.

## Nastavenie voľnobežných otáčok

- Pred nastavením voľnobežných otáčok sa uistite, že je čistý vzduchový filter a pripevnený kryt vzduchového filtra.
  - Pomocou nastavovacej skrutky T voľnobehu (označená písmenom „T“) nastavte voľnobežné otáčky.
  - Voľnobežné otáčky sú nastavené správne, ak motor beží plynulo vo všetkých polohách. Voľnobežné otáčky musia byť nižšie ako otáčky, pri ktorých sa začne pohybovať rezací nadstavec.
1. Otáčajte nastavovaciu skrutku voľnobehu v smere hodinových ručičiek, kým sa rezací nadstavec nezačne točiť. (Obr. 55 )
  2. Otáčajte nastavovaciu skrutku voľnobehu proti smeru hodinových ručičiek, kým sa rezací nadstavec nezastaví.

## Údržba krytu na ochranu pred iskrami

Kryt na ochranu pred iskrami vyčistíte pomocou drôtenej kefy. (Obr. 56 )

## Čistenie chladiaceho systému

Súčasti chladiaceho systému vyčistíte pomocou kefy. (Obr. 57 )

## Kontrola zapaľovacej sviečky



**VAROVANIE:** Používajte odporúčanú zapaľovaciu sviečku. Uistite sa, že pri výmene použijete rovnaký diel ako diel dodaný výrobcom. Nesprávny typ zapaľovacej sviečky môže viesť k poškodeniu výrobku.

1. Zapaľovaciu sviečku skontrolujte v prípade:
  - a) nízkeho výkonu motora,
  - b) problémov s naštartovaním motora,
  - c) nesprávnej prevádzky motora pri voľnobežných otáčkach.

2. Ak máte problémy s naštartovaním alebo prevádzkou motora, skontrolujte, či sa na zapalovacej sviečke nevyskytuje neželaný materiál. Zníženie rizika prítomnosti neželaného materiálu na elektródach zapalovacej sviečky:
  - a) uistite sa, že sú správne nastavené voľnobežné otáčky,
  - b) uistite sa, že používate správnu zmes paliva,
  - c) uistite sa, že je čistý vzduchový filter.
3. Ak je zapalovacia sviečka znečistená, vyčistite ju. Skontrolujte správnosť medzery medzi elektródami. (Obr. 58 )
4. V prípade potreby vymeňte zapalovaciu sviečku.

## Aplikácia maziva na dvojdielny hriadeľ

- Mazivo naneste na koncovú časť hnacieho hriadeľa po každých 30 hodinách prevádzky.(Obr. 59 )

## Údržba vzduchového filtra

### Čistenie vzduchového filtra

1. Odstráňte kryt vzduchového filtra a vzduchový filter. (Obr. 60 )
2. Očistite vzduchový filter teplou mydlovou vodou. Pred opätovným vložením sa uistite, že je vzduchový filter suchý.
3. Ak je vzduchový filter príliš znečistený a nie je možné ho vyčistiť, vymeňte ho. Poškodený vzduchový filter vždy vymeňte.
4. Ak je výrobok vybavený penovým vzduchovým filtrom, použite olej vzduchového filtra. Olej

vzduchového filtra aplikujte len na penový vzduchový filter. Neaplikujte olej na pletený filter.

### Aplikácia oleja vzduchového filtra



**VAROVANIE:** Na penové vzduchové filtre vždy aplikujte špeciálny olej vzduchového filtra. Nepoužívajte iné typy olejov.



**VÝSTRAHA:** Dávajte pozor, aby ste si olej nevyliali na telo.

1. Odstráňte kryt vzduchového filtra a vzduchový filter. (Obr. 61 )
2. Vložte vzduchový filter do plastového vrečka.
3. Nalejte do plastového vrečka olej vzduchového filtra. (Obr. 62 )
4. Stlačením plastového vrečka sa uistite, že olej rovnomerne prekryje celý vzduchový filter.
5. Stlačením vzduchového filtra vo vrečku odstráňte z filtra nadbytočný olej. Vyberte vzduchový filter z vrečka.
6. Nainštalujte vzduchový filter.

### Doplnenie maziva do kuželového prevodu

Uistite sa, že je kuželový prevod do 3/4 naplnený mazivom pre kuželový prevod.

(Obr. 63 )

## TECHNICKÉ ÚDAJE

	jednotka	129C (A05328CCHV)	129L (A05328CSHV)	129LK (A05328CSHV)
<b>Technické údaje motora</b>				
Zdvihový objem valca	cm <sup>3</sup>	27,6	27,6	27,6
Medzera medzi elektródami	mm	0,5	0,5	0,5
Objem palivovej nádrže	cm <sup>3</sup>	343	343	343
Voľnobežné otáčky	min. <sup>-1</sup>	2 800 – 3 200	2 800 – 3 200	2 800 – 3 200
Maximálny výkon pri otáčkach	min. <sup>-1</sup>	8 000	8 000	8 000
Výstupný výkon	kW	0,85	0,85	0,85
Zapalovacia sviečka		Husqvarna HQT-4	Husqvarna HQT-4	Husqvarna HQT-4
Maximálna rotácia výstupného hriadeľa	min. <sup>-1</sup>	8 500	7 200	7 200
<b>Údaje o hluku a vibráciách</b>				

Ekvivalentná hladina vibrácií (ahv, eq) ľavej rukoväte – pozrite si poznámku 1	m/s <sup>2</sup>	3,64	9,9	9,9
Ekvivalentná hladina vibrácií (ahv, eq) pravej rukoväte – pozrite si poznámku 1	m/s <sup>2</sup>	3,59	8,9	8,9
Zaručená hladina akustického výkonu (L <sub>WA</sub> ) – pozrite si poznámku 2	dB(A)	114	114	114
Nameraná hladina akustického výkonu – pozrite si poznámku 2	dB(A)	106	105	106
Úroveň akustického tlaku pri uchu používateľa – pozrite si poznámku 3	dB(A)	93	95	95
<b>Rozmery výrobku</b>				
Hmotnosť (bez rezného zariadenia)	kg	4,61	5,21	5,98
<p><b>Poznámka 1:</b> Uvádzané údaje pre ekvivalentnú hladinu vibrácií majú typický štatistický rozptyl (štandardnú odchýlku) 1 m/s<sup>2</sup>.</p> <p><b>Poznámka 2:</b> Emisie hluku merané ako akustický výkon (L<sub>WA</sub>) v súlade s európskou smernicou 2000/14/ES. Uvádzaná hladina akustického výkonu pre stroj bola meraná s originálnym rezacím nadstavcom, ktorý produkuje najvyššiu úroveň. Rozdiel medzi zaručeným a nameraným akustickým výkonom spočíva v tom, že zaručený akustický výkon zahŕňa aj rozptyl výsledkov merania a rozdiely medzi jednotlivými strojmi rovnakého modelu v súlade so smernicou 2000/14/ES.</p> <p><b>Poznámka 3:</b> Uvádzané údaje pre ekvivalentnú hladinu akustického tlaku majú typický štatistický rozptyl (štandardnú odchýlku) 1 dB (A).</p>				

## PRÍSLUŠENSTVO

<b>129C</b>		
<b>Schválené príslušenstvo</b>	<b>Typ</b>	<b>Chránič rezacieho nadstavca</b>
Závitový hriadeľ (3/8 R)		
Vyžínacia hlava	T25 (Ø 2,0 – 2,4 mm)	580 44 66-10
<b>129L, 129LK</b>		
<b>Schválené príslušenstvo</b>	<b>Typ</b>	<b>Chránič rezacieho nadstavca</b>
Závitový hriadeľ (M10L)		
Vyžínacia hlava	T25 (Ø 2,0 – 2,4 mm)	580 44 66-06

<b>Voliteľné príslušenstvo</b>	<b>Typ</b>	<b>Použite s</b>
Zametací nástavec s hriadeľom	SR600	129LK
Nadstavec plotostrihu s hriadeľom	HA850	129LK
Nadstavec so zarovnávačom okrajov trávnik s hriadeľom	EA850	129LK
Pílový nadstavec s hriadeľom	PA1100	129LK

Voliteľné príslušenstvo	Typ	Použitie s
Nadstavec kultivátora s hriadeľom	CA150	129LK
Nadstavec vyžínača trávnik a s hriadeľom	TA850	129LK
Pílový nadstavec s hriadeľom	PAX1100	129LK
Pílový nadstavec s hriadeľom	PAX730	129LK

## OBSAH VYHLÁSENIA O ZHODE ES

V mene spoločnosti Husqvarna AB, SE 561 82 Huskvarna, ŠVÉDSKO, vyhlasujeme s plnou zodpovednosťou, že reprezentovaný produkt:

Dodávaný benzínový vyžínač trávnik a /krovinorez sa zhoduje so vzorkou, ktorá prešla skúškou.

Popis	Benzínový vyžínač trávnik a /krovinorez
Značka	Husqvarna
Platforma/Typ/Model	Platforma A05328CCHV, reprezentuje model 129C  Platforma A05328CSHV, reprezentuje modely 129L a 129LK
Séria	Výrobné číslo z roku 2013 a nasledujúcich rokov

plne spĺňa nasledujúce smernice a nariadenia EÚ:

Smernice/Nariadenia	Popis
2006/42/ES	„o strojových zariadeniach“
2014/30/EÚ	„týkajúca sa elektromagnetickej kompatibility“
2000/14/ES	„týkajúca sa hluku vo voľnom priestranstve“

Spĺňa nasledovné použité harmonizované normy a/ alebo technické špecifikácie: EN ISO 12100, EN ISO 11806-1, CISPR 12, ISO 14982

V súlade s ustanovením prílohy V smernice 2000/14/ES sú deklarované úrovne hluku uvedené v časti o technických údajoch tohto návodu na obsluhu a v podpísanom Vyhlásení o zhode ES.

Spoločnosť TÜV Rheinland N.A. vykonala nepovinnú skúšku v mene spoločnosti Husqvarna AB a udelila Certifikát zhody so smernicou Rady 2006/42/ES o strojových zariadeniach.

V zmysle Vyhlásenia o zhode ES je tento certifikát platný pre všetky miesta výroby a krajiny pôvodu, ako sú vyznačené na produkte.

---

# TARTALOMJEGYZÉK

---

BEVEZETÉS.....	184	MŰSZAKI ADATOK.....	191
BIZTONSÁG.....	185	TARTOZÉKOK.....	192
ÖSSZESZERELÉS.....	188	AZ EK-MEGFELELŐSÉGI NYILATKOZAT	
HASZNÁLAT.....	188	TARTALMA.....	193
KARBANTARTÁS.....	190	.....	0

---

## BEVEZETÉS

---

### Kezelői kézikönyv

A kezelői kézikönyv eredeti nyelve angol. A más nyelvű kezelői kézikönyvek az angol változat fordításai.

### Áttekintés

(ábra 1 )

1. Damilfej
2. Zsírbetöltő sapka
3. Szögajtás
4. A vágófelszerelés védőburkolata
5. Nyél
6. Nyélcsatlakozás
7. Hurokfogantyú
8. Gázadagoló
9. Leállítókapcsoló
10. Gázadagoló retesze
11. Gyertyapipa, gyújtógyertya
12. Indítószervezet háza
13. Berántókötél markolata
14. Üzemanyagtartály
15. Légszűrő fedél
16. Üzemanyagpumpa
17. Hidegindító kar
18. Hajtótárcsa
19. Kezelői kézikönyv

### A termék szimbólumai

- (ábra 2 ) Figyelmeztetés
- (ábra 3 ) Olvassa el a kézikönyvet.
- (ábra 4 ) Használjon jóváhagyott fejdédőt.
- (ábra 5 ) Használjon jóváhagyott fülvédőt.
- (ábra 6 ) Használjon jóváhagyott védőszemüveget.
- (ábra 7 ) Használjon jóváhagyott védőkesztyűt.
- (ábra 8 ) Használjon védőlábbelit.
- (ábra 9 ) A termék tárgyakat repíthet szét, amelyek megsérülést okozhatnak.

(ábra 10 ) A termék tárgyakat repíthet szét, amelyek megsérülést okozhatnak.

(ábra 11 ) A kimenőtengely max. fordulatszám.

(ábra 12 ) Biztonságos távolság

(ábra 13 ) Csak jóváhagyott szegélyvágó damilt használjon. Pengét ne használjon!

(ábra 14 ) Ne használjon fémből készült vágófelszerelést.

(ábra 15 ) Ha hosszú haja van, úgy kösse fel, hogy az ne érjen le a válláig.

(ábra 16 ) A nyilak a fogantyú véghelyezeteit mutatják.

(ábra 17 ) Hangteljesítményszint.

(ábra 18 ) Zajszint

(ábra 19 ) Ez a termék megfelel a vonatkozó EK-irányelveknek.

(ábra 20 ) Ez a termék megfelel a vonatkozó EAC-irányelveknek.

(ábra 21 ) Ez a termék megfelel az Ukrajnában hatályos irányelveknek.

**Megjegyzés:** A terméken szereplő többi jelölés/címke a további piacok specifikus vizsgáztatási követelményeire vonatkozik.

### Termékszavatosság

A termékszavatosságra vonatkozó jogszabályok értelmében nem vagyunk felelősek a termékeink által okozott károkért az alábbi esetekben:

- a termék javítását helytelenül végezték;



- a termék javítása nem a gyártótól származó vagy általa jóváhagyott alkatrészekkel történt;
- a terméket nem a gyártótól származó vagy általa jóváhagyott kiegészítővel szerelték fel;
- a termék javítását nem hivatalos szakszerviz vagy jóváhagyott egyéb szerviz végezte.

## BIZTONSÁG

### Biztonsági fogalom meghatározások

Az alábbi fogalom meghatározások az egyes figyelmeztetésekhez tartozó, lehetséges veszélyek súlyosságát határozzák meg.



**FIGYELMEZTETÉS:** Személyi sérülés veszélye.



**VIGYÁZAT:** A termék károsodásának veszélye.

**Megjegyzés:** Ezek az információk a termék használatát könnyítik meg.

### Általános biztonsági utasítások

- Használja a terméket megfelelően. A nem megfelelő használat súlyos, akár halálos sérüléssel is járhat. A termék csak a kézikönyvben ismertetett feladatokra használja. Ne használja a terméket egyéb feladatokra.
- Tartsa be a kézikönyvben olvasható utasításokat. Vegye figyelembe a biztonsági jelzéseket és tartsa be a biztonsági utasításokat. Ha a kezelő nem az utasítások és a szimbólumok szerint jár el, anyagi kár, személyi sérülés, akár halál is bekövetkezhet.
- Őrizze meg a kézikönyvet. Használja az utasítást a termék összeszereléséhez, működtetéséhez és a megfelelő üzemi állapot fenntartásához. Használja az utasítást a kiegészítők és tartozékok megfelelő felszereléséhez. Csak jóváhagyott kiegészítőt és tartozékot használjon.
- Ne használjon sérült terméket. Tartsa be a karbantartási ütemtervet. Csak olyan karbantartási munkát végezzen, amire a kézikönyvben utasítást talál. Az összes többi karbantartási munkát bízza a hivatalos szakszervizre.
- A kézikönyv nem tartalmazhatja minden olyan helyzet leírását, ami a termék használata során előfordulhat. Legyen körültekintő és hagyatkozzon a józan eszére. Ne működtesse a terméket és ne végezzen rajta karbantartást, ha nem biztos a dolgában. Kérjen tájékoztatást a termék szakértőjétől, a forgalmazótól, szervizműhelytől vagy a hivatalos márkaszerviztől.
- Húzza le a gyertyapipát, mielőtt a termék összeszerelésébe kezd, elteszi vagy karbantartásba kezd.
- Ne használja a terméket, ha megváltozott az eredeti specifikációja. Ne cseréljen a terméken alkatrészt a gyártó jóváhagyása nélkül. Csak a gyártó által jóváhagyott alkatrészeket használjon. A nem megfelelő karbantartás súlyos, akár végzetes sérüléssel is járhat.
- Ne lélegezze be a motorból kiáramló füstöt. A motor kipufogógázainak hosszas belégzése káros lehet az egészségre.
- Ne indítsa be az egységet zárt helyiségben vagy gyúlékony anyagok közelében. A kipufogógázok forróak, és lehet bennük szikra, mely tüzet okozhat. A nem elegendő mértékű légáramlás fulladás vagy szén-monoxid miatt egészségkárosodást, akár halált is okozhat.
- A termék használatakor a motor elektromágneses mezőt hoz létre. Az elektromágneses mező károsíthatja az orvosi implantátumokat. A termék használata előtt kérje ki orvosa vagy orvosi implantátuma gyártójának tanácsát.
- A terméket gyermekek nem használhatják. Ne használja a terméket olyan személy, aki nem ismeri a kezelési utasítást.
- Csökkent fizikai vagy szellemi képességekkel rendelkező személy csak felügyelet mellett használhatja a terméket. Egy felelős felnőttnek mindig jelen kell lennie.
- A terméket zárja el olyan helyre, ahol gyermek vagy jogosulatlan személy nem férhet hozzá.
- A termék tárgyakat repíthet szét, és ezzel sérülést okozhat. Tartsa be a biztonsági előírásokat, hogy csökkenthető legyen a súlyos, akár halálos sérülések kockázata.
- Ne hagyja magára a járó motorú terméket.
- Az esetleges balesetekért a termék kezelője a felelős.
- A termék használatának megkezdése előtt ellenőrizze az alkatrészek épségét.
- A termék használatának megkezdése előtt gondoskodjon arról, hogy minimum 15 m (50 láb) távolságra kerüljön más személyektől, illetve állatoktól. Tudassa a közelben levő személyekkel, hogy használni fogja a terméket.
- Tartsa be az állami vagy helyi törvényeket. Egyes feltételek mellett ezek tilthatják vagy korlátozhatják a termék használatát.
- Ne használja a terméket, ha fáradt, beteg, illetve alkohol, kábítószer vagy gyógyszer hatása alatt áll. Ezek befolyásolhatják a látását, éberségét, koordinációját vagy ítélőképességét.

## Biztonsági utasítások az üzemeltetéshez

- A használata előtt gondoskodjon arról, hogy a termék legyen teljesen összeszerelve.
- Vigye legalább 3 m (10 láb) távolságra a terméket a tankolás helyétől, mielőtt beindítaná. Fektesse a terméket vízszintes felületre. Gondoskodjon arról, hogy a vágófelszerelés se a talajhoz, se egyéb tárgyakhoz ne érjen hozzá.
- A termék tárgyakat repíthet szét, amelyek megsérülést okozhatnak. A termék használatakor viseljen jóváhagyott védőszemüveget.
- Legyen körültekintő, a termék használata közben az Ön tudta nélkül közel jöhetnek gyerekek.
- Ne működtesse a terméket, ha a munkaterületen másvalaki is tartózkodik. Állítsa le a terméket, ha valaki belép a munkaterületre.
- Legyen körültekintő, hogy ne veszítse el uralmát a termék felett.
- Ne használja a terméket, ha baleset esetén nincs, aki segítsen. Mindig tudassa másokkal, hogy használni fogja a terméket, mielőtt dolgozni kezd vele.
- Csak akkor forduljon meg a termékkel, ha meggyőződött arról, hogy sem ember, sem állat nincs a biztonsági területen belül.
- Munkakezdés előtt távolítson el minden nem kívánatos anyagot a munkaterületről. Ha a vágófelszerelés nekiütözik valaminek, az elrepülve személyi sérülést vagy anyagi kárt okozhat. A nem kívánatos anyag rátekeredhet a vágófelszerelésre és kárt okozhat.
- Ne használja a terméket rossz időjárás esetén (köd, eső, erős szél, villámás kockázata vagy egyéb kedvezőtlen időjárási viszonyok). Rossz időjárás esetén veszélyes feltételek alakulhatnak ki (például csúszós talajfelület).
- Ügyeljen arra, hogy szabadon mozoghasson, és dolgozzon stabil testhelyzetben.

(ábra 22)

- Ügyeljen arra, hogy ne eshessen el a termék használatakor. Ne görnyedve, meghajolva használja a terméket.
- Tartsa mindig mindkét kezével a terméket. A terméket tartsa teste jobb oldalán.

(ábra 23)

- Használat közben a vágófelszerelés legyen a derékszint alatt.
- Ha a hidegindító karja motorindításkor hidegindítás helyzetben van, a vágófelszerelés forogni kezd.
- Ne érjen a szöghajtáshoz, miután leállt a motor. A szöghajtás a használat során felforrósodik. A forró felületek sérülést okozhatnak.
- Állítsa le a motort, mielőtt szállítani kezdi a terméket.
- Ne tegye le a terméket járó motorral.
- Mielőtt a terméken lévő, nem kívánatos anyagok eltávolításába kezd, állítsa le a motort és várja meg,

amíg a vágófelszerelés leáll. Várja meg, hogy a vágófelszerelés leálljon, mielőtt Ön vagy a segítségével eltávolítja a levágtott anyagot.

## Személyi védőfelszerelés

- Amikor a terméket használja, viseljen mindig megfelelő személyi védőfelszerelést. A személyi védőfelszerelés nem szünteti meg a személyi sérülés kockázatát. A személyi védőfelszerelés egy esetleges baleset esetén mérsékli a sérülés mértékét.
- A termék használatakor viseljen jóváhagyott védőszemüveget.
- Ne meztláb vagy nyitott cipőben működtesse a terméket. Mindig viseljen erős, csúszásmentes bakancsot.
- Viseljen vastag, hosszú szárú nadrágot.
- Szükség esetén használjon jóváhagyott védőkesztyűt.
- Vegyen fel védősisakot, ha fennáll az esélye, hogy valami a fejére eshet.
- A termék használatakor viseljen jóváhagyott fülvédőt. A zajnak való tartós kitétség halláskárosodást okozhat.
- Legyen a közelben elsősegély-készlet.

## Biztonsági eszközök a terméken

- Feltétlenül végezzen rendszeres karbantartást a terméken.
  - A termék élettartama így növelhető,
  - a balesetveszély pedig csökken.

Vizsgálta át rendszeresen a terméket márkakereskedésben vagy szakszervizben, ahol elvégzik a szükséges beállításokat, javításokat.

- Ne használja a terméket sérült biztonsági eszközökkel. Ha a termék megsérült, forduljon vele hivatalos szakszervizhez.

## Gázadagoló retesze

A gázadagoló retesze a gázadagoló kart rögzíti véletlen használat ellen.

(ábra 24)

A gázadagoló (B) kioldásához nyomja meg a gázadagoló reteszét (A). Amikor elengedi a fogantyút, a gázadagoló retesze és a gázadagoló is visszatér alaphelyzetbe.

1. Ellenőrizze, hogy amikor elengedi a gázadagoló reteszét (A) a gázadagoló (B) alapjáratú helyzetben rögzül.
2. Nyomja le a gázadagoló reteszét (A) és győződjön meg arról, hogy az visszatér az eredeti helyzetébe, miután felengedi.
3. Nyomja le a gázadagoló (B) és győződjön meg arról, hogy az visszatér az eredeti helyzetébe, miután elengedi.

Indítsa be a motort és adjon teljes gázt. Engedje el a gázadagoló és ellenőrizze, hogy a vágófelszerelés leáll.

Ha a vágófelszerelés a gázadagoló alapjárat helyzetében is forog, vizsgálja meg a karburátoron az alapjárat-beállító csavar helyzetét.

## Leállítókapcsoló

Indítsa be a motort. Győződjön meg arról, hogy a motor leáll, amikor a leállítókapcsolót STOP helyzetbe állítja.

(ábra 25 )

## A vágófelszerelés védőburkolata

A vágófelszerelés védőburkolata megakadályozza, hogy az elszabadult tárgyak elérjék a kezelőt.

(ábra 26 )

Vizsgálja meg a vágófelszerelés védőburkolatának épségét, és cserélje ki, ha megsérült. A vágófelszereléshez csak a jóváhagyott védőburkolatot használjon.

## Kipufogódob

- Ne indítsa be a motort, ha a kipufogódob megsérült. A hibás kipufogódob növeli a zajszintet és a tűzveszélyt. Legyen a közelben tűzoltó készülék.
- Ellenőrizze rendszeresen a kipufogódob rögzítettségét.
- Ne érjen a motorhoz vagy a kipufogódobhoz, ha jár a motor. Ne érjen a motorhoz vagy a kipufogódobhoz még egy darabig, miután leállította a motort. A forró felületek sérülést okozhatnak.
- A forró kipufogódob tüzet okozhat. Legyen óvatos, ha a terméket gyúlékony folyadékok vagy gőzök közelében használja.
- Ne érjen a kipufogódob alkatrészeihez, ha a kipufogódob megsérült. Az alkatrészek rákkeltő vegyi anyagokat tartalmazhatnak.

## Vágófelszerelés

- Végezzen rendszeres karbantartást. Vizsgáltsa át rendszeresen a vágófelszerelést szakszervizben, ahol elvégzik a szükséges beállításokat, javításokat.
  - A vágófelszerelés teljesítménye és az
  - élettartama ezáltal egyaránt megnő,
  - a balesetveszély pedig csökken.
- Csak jóváhagyott védőburkolatot használjon a vágófelszereléshez. További tudnivalókat lásd: *MŰSZAKI ADATOK 191. oldalon.*
- Ne használjon sérült vágófelszerelést!

## Fűvágó damilfej

- A rezgés csökkentése érdekében a fűvágó damilt egyenletesen, ne túl szorosan csévelje fel a dombra.
- Csak a jóváhagyott damilfejet és damilt használjon. Lásd *MŰSZAKI ADATOK 191. oldalon.*
- Használjon megfelelő hosszúságú fűvágó damilt. A hosszú fűhöz való damil nagyobb teljesítményt igényel a motortól, mint a rövid fűhöz való.
- A vágófelszerelés védőburkolatán lévő késnek épeknek kell lennie.

- Áztassa vízben a fűvágó damilt 2 napig, mielőtt felszereli a termékre. Ezzel megnöveli a fűvágó damil élettartamát.

## Üzemanyaggal kapcsolatos biztonság

- Ne indítsa be a terméket, ha üzemanyag vagy motorolaj került rá. Távolítsa el a nem kívánt üzemanyagot/motorolajat és hagyja megszáradni a terméket. Távolítsa el a nem kívánt üzemanyagot a termékről.
- Ha a kiömlött üzemanyag a ruhájára csöppent, öltözzön át azonnal.
- Ügyeljen arra, hogy ne kerüljön üzemanyag a testére, mert az sérülést okozhat. Ha üzemanyag került a testére, távolítsa el szappannal és vízzel.
- Ne indítsa be a motort, ha olaj vagy üzemanyag került a termékre vagy Önre.
- Ne indítsa be a motort, ha szivárog a motor. Vizsgálja meg rendszeresen a motort szivárgás szempontjából.
- Bánjon óvatosan az üzemanyaggal. Az üzemanyag gyúlékony, a gőzei robbanásveszélyesek, ezért súlyos, akár végzetes sérülést is okozhat.
- Ne lélegezze be az üzemanyag gőzeit, egészségkárosodást okozhatnak. Gondoskodjon megfelelő légáramlásról.
- Az üzemanyag vagy a motor közelében ne dohányozzon.
- Az üzemanyag vagy a motor közelébe ne tegyen forró tárgyakat.
- Ne tankoljon járó motornál.
- Várja meg a tankolással, amíg lehűl a motor.
- Tankolás előtt nyissa meg lassan a tanksapkát, engedje ki óvatosan a nyomást.
- Ne beltérben tankoljon. A nem elegendő mértékű légáramlás fulladás vagy szén-monoxid miatt egészségkárosodást, akár halált is okozhat.
- Körültétezően húzza meg a tanksapkát, különben tűz keletkezhet.
- Vigye legalább 3 m (10 láb) távolságra a terméket a tankolás helyétől, mielőtt beindítaná.
- Ne töltsen túl üzemanyaggal a terméket.
- Ügyeljen arra, hogy ne forduljon elő szivárgás, amikor a terméket vagy az üzemanyagtartályt mozgatja.
- Ne vigye olyan helyre a terméket vagy az üzemanyagtartályt, ahol nyílt láng, szikra vagy őrláng található. Győződjön meg arról, hogy a tárolás helyén nem található nyílt láng.
- Csak jóváhagyott tartályt használjon az üzemanyag szállítására vagy tárolására.
- Hosszú távú tárolás előtt ürítse ki az üzemanyagot a termékből. A lefejtett üzemanyag elhelyezésekor járjon el a hatályos helyi előírások szerint.
- Hosszú távú tárolás előtt tisztítsa meg a terméket.
- Húzza le a gyertyapipát, mielőtt a terméket elteszi, hogy a motor ne indulhasson be véletlenül.

## Biztonsági utasítások a karbantartáshoz

szakszervizhez. Ne használja a terméket addig, amíg az nincs helyesen beállítva, illetve megjavítva.

- Ha az alapjáratot nem lehet úgy beállítani, hogy a vágófelszerelés ne forogjon, forduljon

## ÖSSZESZERELÉS



**FIGYELMEZTETÉS:** Olvassa el a biztonságról szóló fejezetet, mielőtt összeszerelné a terméket.

### A hurokfogantyú felszerelése

1. Szerelje fel a hurokfogantyút a nyélre az ábra szerint, és húzza meg.(ábra 27 )
2. A hurokfogantyút a nyélen látható nyíljelzések között kell elhelyezni.

### A két részből álló nyél összeszerelése

1. A gombot elforgatva lazítsa meg a nyélcsatlakozót.(ábra 28 )
2. Igazítsa egymáshoz a nyélen található fület (A) a nyélcsatlakozón lévő nyállal (B).(ábra 29 )
3. Nyomja be a nyelet a nyélcsatlakozóba ütközésig.(ábra 30 )
4. A termék használata előtt feltétlenül húzza meg a gombot.(ábra 31 )

### A két részből álló nyél szétszerelése

1. A gombot elforgatva lazítsa meg a nyélcsatlakozót.(ábra 32 )
2. Nyomja meg és tartsa lenyomva a gombot (C).(ábra 33 ) A nyél motor felőli részét megtartva húzza ki a nyelet a nyélcsatlakozóból.

### A vágófelszerelés felszerelése

#### A vágófelszerelés védőburkolatának és a damilfejnek a felszerelése (egyenys nyél)

1. Rögzítse a vágófelszerelés burkolatát (A) a nyélen a csavar (L) segítségével.(ábra 34 ) Ügyeljen arra,

hogy a megfelelő vágófelszerelést és a megfelelő damilfejet szerelje fel.

2. Szerelje fel a hajtótárcsát (B) a kimenőtengelyre.
3. Forgassa a kimenőtengelyt addig, amíg a hajtótárcsában lévő furatok egyike egy vonalba nem kerül a hajtóműházon lévő megfelelő furattal.
4. Dugjon be egy kis csavarhúzó (C) a furatba a tengely rögzítéséhez.(ábra 35 )
5. Csavarja rá a damilfejet (H) a tengelyre az óramutató járásával ellentétes irányba forgatva.(Balmenet.)(ábra 36 )

#### A vágófelszerelés védőburkolatának és a damilfejnek a felszerelése (hajlítt nyél)

1. Rögzítse a védőburkolatot.(ábra 37 ) Húzza meg az anyát.
2. A porvédő sapkát rögzítse a tengelyre.(ábra 38 )
3. Tartsa meg a porvédő sapkát egy állítható csavarkulccsal, hogy a tengely ne forduljon el.
4. Helyezze a damilfejet a tengelyre. Forgassa el a damilfejet az óramutató járásával megegyező irányba.

## HASZNÁLAT



**FIGYELMEZTETÉS:** Olvassa el és értelmezze a biztonságról szóló fejezetet, mielőtt használni kezdené a terméket.

### Üzemanyag

#### Az üzemanyag használata



**VIGYÁZAT:** A termékben kétütemű motor működik. Használjon üzemanyagként benzin és kétütemű motorolaj keverékét. Ügyeljen a megfelelő keverési arányra. A benzin és az olaj nem megfelelő aránya károsíthatja a motort.

## Benzin



**VIGYÁZAT:** Ne használjon 90 RON (87 AKI) oktánszámúnál gyengébb benzint. Ezzel kárt tehet a termékben.



**VIGYÁZAT:** Ne használjon olyan benzint, ami több mint 10% etanolt tartalmaz (E10). Ezzel kárt tehet a termékben.

- Használjon friss, minimum 90 RON (87 AKI) oktánszámú és 10%-nál kevesebb etanolt (E10) tartalmazó, ólmozatlan benzint.
- Használjon magasabb oktánszámú benzint, ha gyakran használja a terméket folyamatosan magas fordulatszámon.

### Kétütemű motorolaj

- Csak kiváló minőségű kétütemű motorolajat használjon. Csak léghűtéses motorba való motorolajat használjon.
- Ne használjon másféle olajat.
- A keverési arány 50:1-hez (2%).

Benzin	Olaj
1 amerikai gallon	77 ml (2,6 oz)
1 angol gallon	95 ml (3,2 oz)
5 l	100 ml (3,4 oz)

### Keverék üzemanyag előállítás

**Megjegyzés:** A benzint és az olajat mindig tiszta tartályban keverje.

**Megjegyzés:** Egyszerre ne keverjen be több üzemanyagot, mint amit 30 nap alatt elhasznál.

1. Töltse be a benzin fele mennyiségét.
2. Töltse be a teljes olajmennyiséget.
3. Rázza össze az üzemanyag-keveréket, hogy az alkotóelemek összekeveredjenek.
4. Töltse be a maradék benzint.
5. Rázza össze az üzemanyag-keveréket, hogy az alkotóelemek összekeveredjenek.
6. Töltse fel az üzemanyagtartályt.

### Tankolás

- Mindig túlcsoordulás-védelemmel ellátott üzemanyagtartályt használjon.
- Ha maradt a tartályban, távolítsa el a nem kívánt üzemanyagot és szárítsa ki a tartályt.
- A tanksapka körüli területet tisztítsa le.
- Rázza össze maga előtt az üzemanyagtartályt, és tankolja meg a gépet az üzemanyag-keverékkel.

## Indítás és leállítás

### A motor beindítása előtt

- Vizsgálja át a terméket hiányzó, sérült, meglazult vagy elhasználódott alkatrészek tekintetében.
- Ellenőrizze az anyákat és csavarokat.
- Ellenőrizze a levegőszűrőt.
- Ellenőrizze a gázadagoló reteszének és a gázadagolóknak a megfelelő működését.
- Ellenőrizze a leállító kapcsoló megfelelő működését.
- Ellenőrizze a terméket, nem szivárog-e belőle az üzemanyag.
- Ellenőrizze a fűrészlánc élességét és feszességét.

### Hideg motor indítása

1. Nyomja meg 10-szer az üzemanyagpumpát.(ábra 39 )
2. Húzza fel a szívatókart.(ábra 40 )
3. Nyomja a géptestet bal kézzel a talajnak.(ábra 41 )  
Ne lépjen rá a termékre. Húzza ki lassan az indítózsínort, amíg ellenállást nem érez, majd folytassa erőből a meghúzását.

**Megjegyzés:** Ne húzza a gázadagolót a motor indítása közben.

4. Folytassa az indítózsínór húzását, amíg a motor be nem indul vagy megpróbál beindulni (max. 3 húzás). Ha indul a motor vagy próbál indulni, nyomja le a hidegindító kart üzemelés állásba. Folytassa az indítási kísérleteket az indítózsínórral, amíg a motor beindul. Miután a motor beindult, hagyja 60 másodpercig járni, mielőtt gázt ad.



**VIGYÁZAT:** Az indítózsínórt ne húzza ki ütközésig. Az indítózsínór kihúzását követően ne engedje el a zsinór fogantyúját. Engedje vissza lassan az indítózsínórt. Ha nem így tesz, a motor károsodhat.

### Meleg motor indítása

1. Nyomja meg 10-szer az üzemanyagpumpát.
2. Húzza meg az indítófogantyút, amíg a motor be nem indul.

### Leállítás

- A motor leállításához nyomja meg a leállítókapcsolót.(ábra 42 )

**Megjegyzés:** A leállítókapcsoló magától visszaáll alaphelyzetbe.

## A fűszegélyvágó használata



**VIGYÁZAT:** Minden műveletet követően hagyja visszaállni a motort alapjáratú fordulatszámra. A motort károsíthatja, ha terhelés nélkül hosszan működtetik teljes gázzal.

**Megjegyzés:** Damil pótlásakor tisztítsa meg a damilfej burkolatát, hogy megelőzhetőek legyenek a rezgések. Vizsgálja meg a damilfej többi alkatrészét, szükség esetén cserélje ki.

### Fűszegély nyírás

1. Tartsa a szegélynyíró fejet közvetlenül a talajszint felett ferdén. (ábra 43 ) Ne nyomja bele a fűvágó damilt a fűbe.
2. Csökkentse a fűvágó damil hosszát 10–12 cm-re (4–4,75 hüvelyk), és csökkentse a motor fordulatszámát is, hogy megóvja a növényeket a károsodástól.
3. Csak 80% gázt adjon, amikor akadályok közelében végez fűnyírást. (ábra 44 )

### Fűnyírás

1. A fűszegélyvágó damilja kaszáláskor legyen párhuzamos a talajjal. (ábra 45 )
2. Ne nyomja le a talajra a damilfejet. A talaj és a termék is károsodhat.
3. Ne hagyja, hogy a damilfej folyamatosan a talajhoz érjen, mert az károsodhat.
4. A kaszáló mozdulatokat teljes gázadással végezze. (ábra 46 ) A fűszegélyvágó damilja legyen párhuzamos a talajjal.

### A szegélyvágó damil pótlása

(ábra 47 )

(ábra 48 )

(ábra 49 )

(ábra 50 )

(ábra 51 )

(ábra 52 )

(ábra 53 )

(ábra 54 )

## KARBANTARTÁS



**FIGYELMEZTETÉS:** A termék javítása vagy karbantartása előtt olvassa el és értelmezze a biztonsággal foglalkozó fejezetet.

### Karbantartási ütemterv

Feltétlenül tartsa be a karbantartási ütemtervet. Az intervallumok meghatározásakor a termék napi használatát feltételeztük. Ha nem használja a terméket naponta, az intervallumok eltérőek. Csak azt a karbantartási munkát végezze el, amire a kézikönyvben utasítást talál. A kézikönyvben nem található egyéb karbantartási munkákkal keresse fel a hivatalos szakszervízt.

#### Heti karbantartás

- Tisztítsa meg a külső felületeket.
- Ellenőrizze az alapjáratú fordulatszámot.
- Ellenőrizze a szöghajtás kenését (egyenes nyél).

#### Havi karbantartás

- Ellenőrizze az indítózsínort és a fogantyúját.

#### Éves karbantartás

- Ellenőrizze a gyújtógyertyát.
- Zsírozza meg a hajtótengely végét (kétrészes nyél).
- Tisztítsa meg a karburátor külső felületeit és a környezetét.
- Tisztítsa ki a hűtőrendszert.
- Ellenőrizze a szikrafogó hálót.
- Ellenőrizze az üzemanyagszűrőt.
- Ellenőrizze az üzemanyag-vezeték épségét.

- Ellenőrizze az összes kábelt és csatlakozót.

#### 50 üzemórás karbantartás

- Javíttassa meg vagy cseréltesse ki hivatalos szakszervízben a hangtompítót.

### Az alapjáratú fordulatszám beállítása

- Az alapjáratú fordulatszám beállítása előtt gondoskodjon arról, hogy tiszta legyen a levegőszűrő és fel legyen szerelve a légszűrő fedél.
  - Az alapjáratú fordulatszám beállításához használja az alapjáratú fordulatszám beállító T csavart (ami „T” jelzéssel rendelkezik).
  - Az alapjáratú fordulatszám akkor van helyesen beállítva, ha a motor minden helyzetben egyenletesen jár. Az alapjáratú fordulatszám alacsonyabbnak kell lennie a vágófelszerelés forgásához szükséges fordulatszámnál.
1. Csavarja először a T csavart az óramutató járásával megegyező irányba addig, amíg a vágófelszerelés forogni nem kezd. (ábra 55 )
  2. Csavarja a T csavart az óramutató járásával ellenkező irányba addig, amíg a vágófelszerelés forgása le nem áll.

### A szikrafogó háló karbantartása

A szikrafogó háló tisztítását végezze drótkéfével. (ábra 56 )

### A hűtőrendszer kitisztítása.

Tisztítsa meg a hűtőrendszer alkatrészeit ecsettel.

(ábra 57 )

## A gyújtógyertya ellenőrzése.



**VIGYÁZAT:** Használjon ajánlott típusú gyújtógyertyát. Az új gyertya egyezzen meg a gyártó által biztosított alkatrészszel. A nem megfelelő gyújtógyertya károsíthatja a terméket.

- Ellenőrizze a gyújtógyertyát, ha:
  - a motor gyenge;
  - nehézked az indítás;
  - egyenetlen a motor alapjárata.
- Ha a motor nehezen indul vagy gyakran leáll, ellenőrizze a gyújtógyertyát, nincs-e rajta szennyeződés. A gyújtógyertya elektródái közötti lerakódások kialakulásának csökkentése érdekében:
  - gondoskodjon az alapjáratú fordulatszám megfelelő beállításáról;
  - gondoskodjon a megfelelő üzemanyag-keverékről;
  - gondoskodjon a levegőszűrő tisztaságáról.
- Tisztítsa meg a gyújtógyertyát, ha elszennyeződött. Ellenőrizze, hogy megfelelő-e a szikraköz. (ábra 58 )
- Szükség esetén cserélje ki a gyújtógyertyát.

## A két részből álló nyél kenése

- Zsírozza meg a hajtótengely végét 30 üzemóra után. (ábra 59 )

## A levegőszűrő karbantartása

### A levegőszűrő megtisztítása

- Távolítsa el a levegőszűrő fedelét és a levegőszűrőt. (ábra 60 )

- Meleg szappanos víz segítségével tisztítsa meg a levegőszűrőt. A levegőszűrőt teljesen szárazon szerelje csak vissza.
- Cserélje ki a levegőszűrőt, ha túlságosan elszennyeződött a kitisztításához. Mindig cserélje ki a sérült levegőszűrőt.
- Ha a termék levegőszűrője szivacs, tegyen rá légszűrőolajat. Csak szivacs levegőszűrőre tegyen légszűrőolajat. Filcszűrőre ne tegyen olajat.

### Levegőszűrő kezelése légszűrőolajjal



**VIGYÁZAT:** A szivacs levegőszűrőt csak speciális légszűrőolajjal kezelje. Ne használjon másféle olajat.



**FIGYELMEZTETÉS:** Ügyeljen arra, hogy ne kerüljön Önre az olajból.

- Távolítsa el a levegőszűrő fedelét és a levegőszűrőt. (ábra 61 )
- Tegye be a levegőszűrőt egy műanyag tasakba.
- Tegyen légszűrőolajat is a műanyag tasakba. (ábra 62 )
- Nyomkodja meg a műanyag tasakot, hogy az olaj egyenletesen átitassa a levegőszűrőt.
- Nyomkodja ki a levegőszűrőből a felesleges olajat még a tasakban. Vegye ki a levegőszűrőt a tasakból.
- Szerelje be a levegőszűrőt.

## A szöghajtás zsírzása

A szöghajtás legyen 3/4 részig feltöltve szöghajtás-kenőzsírral.

(ábra 63 )

## MŰSZAKI ADATOK

	mérté- kegy- ség	129C (A05328CCHV)	129L (A05328CSHV)	129LK (A05328CSHV)
<b>A motor adatai</b>				
Hengerűrtartalom	cm <sup>3</sup>	27,6	27,6	27,6
Elektródahézag	mm	0,5	0,5	0,5
Üzemanyagtartály űrtartalma	cm <sup>3</sup>	343	343	343
Alapjáratú fordulatszám	min <sup>-1</sup>	2800–3200	2800–3200	2800–3200
Maximális teljesítményhez tartozó fordulatszám	min <sup>-1</sup>	8000	8000	8000
Teljesítmény	kW	0,85	0,85	0,85

Gyújtógyertya		Husqvarna HQT-4	Husqvarna HQT-4	Husqvarna HQT-4
Kimenőtengely maximális fordulatszáma	min <sup>-1</sup>	8500	7200	7200
<b>Zaj és vibráció adatok</b>				
Egyenértékű rezgésszint (ahv, eq) bal fogantyú - lásd az 1. megjegyzést	m/s <sup>2</sup>	3,64	9,9	9,9
Egyenértékű rezgésszint (ahv, eq) jobb fogantyú - lásd az 1. megjegyzést	m/s <sup>2</sup>	3,59	8,9	8,9
Hangteljesítményszint, garantált (L <sub>WA</sub> ) - lásd a 2. megjegyzést	dB(A)	114	114	114
Hangteljesítményszint, mért - lásd a 2. megjegyzést	dB(A)	106	105	106
Hangteljesítményszint a kezelő fülénél - lásd a 3. megjegyzést	dB(A)	93	95	95
<b>Termék méretei</b>				
Tömeg (vágószerkezet nélkül)	kg	4,61	5,21	5,98
<p><b>1. megjegyzés:</b> Az ekvivalens rezgésszintre vonatkozó jelentési adatok az 1 m/s<sup>2</sup> tipikus statisztikus ingadozásával (szórásával) rendelkeznek.</p> <p><b>2. megjegyzés:</b> A környezetben a 2000/14/EK sz. EK irányelvvel összhangban hangteljesítményként mért zajkibocsátás (L<sub>WA</sub>). A gép jelentésben szereplő hangteljesítményszintjét a legmagasabb szintet produkáló eredeti vágófelszereléssel mérték. A garantált és a mért hangteljesítmény közötti különbségnek az az oka, hogy a garantált hangteljesítmény tartalmazza a mérési eredményben lévő ingadozást és az azonos modellű gépek közti eltéréseket is a 2000/14/EK jelű irányelv értelmében.</p> <p><b>3. megjegyzés:</b> A gép ekvivalens hangnyomásszintjére vonatkozó jelentési adatok az 1 dB (A) tipikus statisztikus ingadozásával (szórásával) rendelkeznek.</p>				

## TARTOZÉKOK

<b>129C</b>		
<b>Jóváhagyott tartozékok</b>	<b>Típus</b>	<b>A vágófelszerelés védőburkolata</b>
Menetes tengely (3/8 R)		
Damilfej	T25 (Ø 2,0 – 2,4 mm)	580 44 66-10
<b>129L, 129LK</b>		
<b>Jóváhagyott tartozékok</b>	<b>Típus</b>	<b>A vágófelszerelés védőburkolata</b>
Menetes tengely (M10L)		
Damilfej	T25 (Ø 2,0 – 2,4 mm)	580 44 66-06

<b>Opcionális kiegészítők</b>	<b>Típus</b>	<b>Ehhez a típushoz</b>
Seprőgép tartozék tengellyel	SR600	129LK



Opcionális kiegészítők	Típus	Ehhez a típushoz
Sóvényíró felszerelés tengellyel	HA850	129LK
Szélnyíró felszerelés tengellyel	EA850	129LK
Fűrész tartozék tengellyel	PA1100	129LK
Kultivátorfelszerelés tengellyel	CA150	129LK
Fűnyíró tartozék tengellyel	TA850	129LK
Fűrész tartozék tengellyel	PAX1100	129LK
Fűrész tartozék tengellyel	PAX730	129LK

## AZ EK-MEGFELELŐSÉGI NYILATKOZAT TARTALMA

A Husqvarna AB, SE 561 82 Huskvarna, SVÉDORSZÁG a saját felelősségére kijelenti, hogy a jelzett termék:

Lefrás	Benzinmotoros fűszegélynyíró/fűkasza
Márka	Husqvarna
Platform / Típus / Modell	A 129C típushoz tartozó A05328CCHV munkaállvány  A 129L és 129LK típushoz tartozó A05328CSHV munkaállvány
Köteg	2013-es és újabb sorozatszámok

A TÜV Rheinland N.A. önkéntes vizsgálatot végzett a Husqvarna AB számára, és az alábbi megfeleléségi nyilatkozatot bocsátotta ki az Európai Tanács gépekre vonatkozó, 2006/42/EK irányelvére vonatkozóan.

Az aláírt EK-megfeleléségi nyilatkozatban található tanúsítvány a terméken jelzettek szerint minden gyártási helyre és országra érvényes.

A szállított benzinmotoros fűszegélynyíró/fűkasza megfelel a vizsgálaton átesett példának.

teljes mértékben megfelel a következő EU-irányelveknek és rendeleteknek:

Irányelv/rendelet	Lefrás
2006/42/EK	„gépre vonatkozó”
2014/30/EU	„elektromágneses megfeleléségre vonatkozó”
2000/14/EK	„kültéri zajkibocsátásra vonatkozó”

Az alábbi harmonizált szabványok és/vagy műszaki előírások kerültek alkalmazásra: EN ISO 12100, EN ISO 11806-1, CISPR 12, ISO 14982

A zajértékek a 2000/14/EK irányelv V. mellékletének megfelelően a használati utasításban, a műszaki adatok fejezetben, valamint az aláírt EK-megfeleléségi nyilatkozatban található.

---

## Содержание

---

ВВЕДЕНИЕ.....	194	ТЕХНИЧЕСКИЕ ДАННЫЕ.....	202
МЕРЫ БЕЗОПАСНОСТИ.....	195	ПРИНАДЛЕЖНОСТИ.....	203
СБОРКА.....	198	СОДЕРЖАНИЕ ДЕКЛАРАЦИИ О	
ЭКСПЛУАТАЦИЯ.....	199	СООТВЕТСТВИИ ЕС.....	204
ТЕХНИЧЕСКОЕ ОБСЛУЖИВАНИЕ.....	201	.....	0

---

## ВВЕДЕНИЕ

---

### Руководство по эксплуатации

Исходный текст данного руководства по работе составлен на английском языке. Руководства по

работе на других языках являются переводами с английского.

### Обзор

(Рис. 1 )

1. Головка триммера
2. Пробка отверстия для заправки консистентной смазки
3. Зубчатая передача
4. Щиток режущего оборудования
5. Штанга
6. Соединительная муфта штанги
7. Петельная рукоятка
8. Рычаг дросселя
9. Выключатель
10. Стопор рычага дросселя
11. Колпачок свечи зажигания, свеча зажигания
12. Кожух стартера
13. Ручка шнура стартера
14. Топливный бак
15. Крышка воздушного фильтра
16. Груша
17. Заслонка
18. Ведущий диск
19. Руководство по эксплуатации

### Условные обозначения на изделии

(Рис. 2 ) Предупреждение

(Рис. 3 ) Прочтите данное руководство.

(Рис. 4 ) Пользуйтесь проверенным защитным шлемом.

(Рис. 5 ) Всегда пользуйтесь защитными наушниками.

(Рис. 6 ) Пользуйтесь проверенными средствами защиты глаз.

(Рис. 7 ) Используйте проверенные защитные перчатки.

(Рис. 8 ) Надевайте защитные сапоги/ботинки.

(Рис. 9 ) Изделие может отбрасывать находящиеся на земле предметы, что может причинить вред глазам.

(Рис. 10 ) Изделие может отбрасывать находящиеся на земле предметы, что может причинить вред глазам.

(Рис. 11 ) Максимальная частота вращения выходного вала.

(Рис. 12 ) Безопасная дистанция

(Рис. 13 ) Используйте только одобренную режущую леску. Не используйте режущий диск.

(Рис. 14 ) Запрещается использовать режущее оборудование из металла.

(Рис. 15 ) Длинные волосы убирайте вверх.

(Рис. 16 ) Стрелками показаны границы расположения рукоятки.

(Рис. 17 ) Уровень звуковой мощности.

(Рис. 18 ) Уровень шума

(Рис. 19 ) Изделие соответствует действующим директивам ЕС.

(Рис. 20 ) Изделие соответствует действующим директивам ЕАС.

(Рис. 21 ) Изделие соответствует действующим директивам Украины.

---

**Примечание:** Остальные символы/этикетки на изделии отвечают требованиям, предъявляемым к сертификации в других коммерческих зонах.

---

## Ответственность изготовителя

В соответствии с законами об ответственности изготовителя мы не несем ответственности за ущерб, вызванный эксплуатацией нашего изделия в результате:

- ненадлежащего ремонта изделия;
- использования для ремонта изделия неоригинальных деталей или деталей, одобренных производителем;

- использования неоригинальных дополнительных принадлежностей или неодобренных производителем;
- ремонта изделия в неавторизованном сервисном центре или неквалифицированным специалистом.

---

## МЕРЫ БЕЗОПАСНОСТИ

---

### Инструкции по технике безопасности

Ниже приведены определения уровня опасности для каждого сигнального слова.



**ПРЕДУПРЕЖДЕНИЕ:** Травмирование человека.



**ВНИМАНИЕ:** Повреждение изделия.

**Примечание:** Эта информация поможет упростить эксплуатацию изделия.

### Общие инструкции по технике безопасности

- Пользуйтесь изделием правильно. Неправильное использование может привести к травме или смертельному исходу. Изделие предназначено только для выполнения работ, описанных в данном руководстве. Запрещается использовать изделие для других видов работ.
- Соблюдайте инструкции, изложенные в данном руководстве. Обращайте внимание на знаки безопасности и следуйте инструкциям по технике безопасности. Несоблюдение оператором инструкций и знаков может привести к травме, повреждениям или смерти.
- Не выбрасывайте это руководство. Следуйте инструкциям по сборке, эксплуатации и уходу за изделием. Используйте эти инструкции для правильной установки насадок и дополнительных принадлежностей. Используйте только апробированные насадки и аксессуары.
- Не используйте поврежденное изделие. Соблюдайте график техобслуживания. Выполняйте самостоятельно только те работы по техобслуживанию, которые описаны в данном руководстве. Все другие работы по техобслуживанию должны выполняться авторизованным сервисным центром.
- В данное руководство невозможно включить все ситуации, которые могут возникнуть при использовании изделия. Будьте осторожны и руководствуйтесь здравым смыслом. Если вы не уверены в ситуации, не используйте изделие и не выполняйте его техобслуживание. Для получения необходимой информации обратитесь к специалисту по продукции, дилеру, специалисту по обслуживанию или в авторизованный сервисный центр.
- Отсоединяйте кабель свечи зажигания перед сборкой изделия, помещением его на хранение или проведением техобслуживания.
- Запрещается использовать изделие, если были изменены его исходные технические характеристики. Запрещено вносить изменения в конструкцию изделия без одобрения производителя. Используйте только рекомендованные производителем детали. Неправильное техобслуживание может привести к травме или смертельному исходу.
- Не вдыхайте выхлопные газы двигателя. Продолжительное вдыхание выхлопных газов двигателя опасно для здоровья.
- Запрещается запустить изделие в помещении или рядом с легковоспламеняющимися материалами. Выхлопные газы имеют высокую температуру и могут содержать искры, которые в свою очередь могут привести к пожару. Недостаточная вентиляция может привести к травме или смерти в результате удушья или отравления угарным газом.
- Во время работы вокруг двигателя создается электромагнитное поле. Электромагнитное поле может привести к повреждению медицинских имплантатов. Проконсультируйтесь с врачом и изготовителем имплантата перед использованием изделия.
- Не позволяйте детям использовать изделие. Не разрешайте пользоваться изделием людям, которые не знакомы с данными инструкциями.
- Не позволяйте людям с ограниченными физическими или умственными способностями пользоваться данным изделием без присмотра. Они должны постоянно находиться под присмотром взрослого.

- Запирайте изделие в месте, не доступном для детей и лиц, не допущенных к эксплуатации изделия.
- Во время работы изделие может отбрасывать находящиеся на земле предметы, что может привести к травме. Чтобы уменьшить риск получения серьезных или смертельных травм, соблюдайте инструкции по технике безопасности.
- Запрещается оставлять изделие с работающим двигателем без присмотра.
- При возникновении несчастного случая ответственность несет оператор изделия.
- Перед использованием изделия проверьте детали на отсутствие повреждений.
- Прежде чем начать использование изделия, убедитесь, что вы находитесь на расстоянии не менее 15 м (50 футов) от других людей или животных. Убедитесь, что находящийся поблизости человек знает, чтобы вы будете использовать изделие.
- Соблюдайте требования национальных или местных законов. В некоторых случаях они могут запрещать или ограничивать использование изделия.
- Ни в коем случае не используйте изделие, если вы устали или находитесь под воздействием спиртного, наркотических веществ или лекарственных препаратов. Они могут повлиять на ваше зрение, реакцию, координацию или оценку действительности.
- Не поворачивайтесь с изделием, не убедившись в отсутствии людей или животных в опасной зоне.
- Перед началом работы уберите все посторонние материалы из рабочей зоны. При ударе режущего оборудования о предмет последний может отскочить и привести к травме или повреждению. Посторонние материалы могут намотаться на режущее оборудование и привести к повреждению.
- Запрещается пользоваться изделием в плохую погоду (при тумане, дожде, сильном ветре, опасности удара молнии и других погодных явлениях). Плохие погодные условия могут создавать опасные условия для работы (например, скользкие поверхности).
- Убедитесь, что вы можете свободно перемещаться и работать в устойчивом положении.

(Рис. 22 )

- Убедитесь в отсутствии риска падения во время использования изделия. Запрещается наклоняться во время эксплуатации изделия.
- Всегда держите изделие двумя руками. Держите изделие с правой стороны от тела.

(Рис. 23 )

- Во время работы держите режущее оборудование ниже пояса.
- Если при запуске двигателя заслонка находится в закрытом положении, режущее оборудование начинает вращаться.
- Не прикасайтесь к зубчатой передаче после остановки двигателя. После остановки двигателя она имеет высокую температуру. Горячие поверхности могут стать причиной травм.
- Выключайте двигатель перед перемещением изделия.
- Запрещается класть изделие на землю с работающим двигателем.
- Чтобы очистить изделие от посторонних материалов, выключите двигатель и дождитесь полной остановки режущего оборудования. Дождитесь остановки режущего оборудования, прежде чем вы или ваш помощник уберет срезанный материал.

## Инструкции по технике безопасности во время эксплуатации

- Прежде чем использовать изделие, убедитесь, что оно полностью собрано.
- Перед запуском уберите изделие на 3 м (10 футов) от места, в котором вы наполнили топливный бак. Положите изделие на ровную поверхность. Убедитесь, что режущее оборудование не касается грунта или других объектов.
- Изделие может отбрасывать находящиеся на земле предметы, что может причинить вред глазам. Всегда пользуйтесь одобренными средствами защиты глаз при использовании изделия.
- Будьте осторожны, во время работы к изделию может незаметно приблизиться ребенок.
- Не пользуйтесь изделием, если в рабочей зоне находятся другие люди. Выключайте изделие при входе другого человека в рабочую зону.
- Всегда держите изделие под контролем.
- Не пользуйтесь изделием, если вы не сможете получить помощь при несчастном случае. Прежде чем начать использовать изделие, всегда сообщайте об этом другим людям.

## Средства индивидуальной защиты

- Всегда используйте соответствующее защитное снаряжение при эксплуатации изделия. Защитное снаряжение не исключает риск травмирования. Оно снижает тяжесть травмы при несчастном случае.
- Всегда пользуйтесь одобренными средствами защиты глаз при использовании изделия.
- При эксплуатации изделия запрещается находиться босиком или носить открытую обувь. Всегда надевайте прочные нескользкие ботинки.
- Надевайте прочные длинные брюки.

- При необходимости используйте одобренные защитные перчатки.
- Надевайте шлем, если существует вероятность попадания объектов в голову.
- Всегда надевайте одобренные защитные наушники при использовании изделия. Длительное воздействие шума может привести к снижению слуха.
- Всегда имейте при себе аптечку для оказания первой медицинской помощи.

## Защитные устройства на изделии

- Регулярно выполняйте техническое обслуживание изделия.
  - Повышается срок службы изделия.
  - Уменьшается риск несчастных случаев.

Ваш авторизованный дилер или сервисный центр должен регулярно проверять изделие и выполнять необходимую регулировку и ремонт.

- Запрещается эксплуатировать изделие, если защитное оборудование повреждено. При повреждении изделия обращайтесь в авторизованный сервисный центр.

## Стопор рычага дросселя

Стопор рычага дросселя блокирует рычаг дросселя. (Рис. 24)

Нажмите на стопор рычага дросселя (А), чтобы освободить рычаг дросселя (В). Когда вы отпускаете ручку, стопор рычага дросселя и рычаг дросселя возвращаются в исходное положение.

1. Убедитесь, что рычаг дросселя (В) заблокирован в положении холостого хода в момент отпускания стопора рычага дросселя (А).
2. Нажмите на стопор рычага дросселя (А) и удостоверьтесь, что он возвращается в первоначальное положение при его освобождении.
3. Нажмите на рычаг дросселя (В) и удостоверьтесь, что он возвращается в первоначальное положение при его освобождении.

Запустите двигатель и полностью откройте дроссель. Отпустите рычаг дросселя и проверьте, остановилось ли режущее оборудование. Если после установки дросселя в положение холостого хода режущее оборудование продолжает вращаться, следует проверить винт регулировки холостого хода карбюратора.

## Выключатель

Запустите двигатель. Убедитесь, что двигатель останавливается при установке выключателя в положение остановки.

(Рис. 25)

## Щиток режущего оборудования

Щиток режущего оборудования предотвращает выброс предметов в сторону оператора. (Рис. 26)

Проверьте щиток режущего оборудования на наличие повреждений и замените его, если он поврежден. Используйте для режущего оборудования только одобренный щиток.

## Глушитель

- Запрещается использовать двигатель с поврежденным глушителем. Поврежденный глушитель повышает уровень шума и риск пожара. Держите огнетушитель в пределах досягаемости.
- Периодически проверяйте надежность крепления глушителя к корпусу изделия.
- Не прикасайтесь к двигателю или глушителю во время работы двигателя. Не прикасайтесь к двигателю или глушителю в течение некоторого времени после выключения двигателя. Горячие поверхности могут стать причиной травм.
- Горячий глушитель может стать причиной пожара. Соблюдайте осторожность при использовании изделия вблизи легковоспламеняющихся жидкостей или газов.
- Не прикасайтесь к деталям глушителя, если он поврежден. На деталях могут находиться канцерогенные химические вещества.

## Режущее оборудование

- Регулярно выполняйте техобслуживание. Ваш авторизованный сервисный центр должен регулярно проверять режущее оборудование и выполнять необходимую регулировку и ремонт.
  - Повышается эффективность режущего оборудования.
  - Увеличивается срок службы режущего оборудования.
  - Уменьшается риск несчастных случаев.
- Используйте только одобренный щиток режущего оборудования. Для более подробной информации смотрите *ТЕХНИЧЕСКИЕ ДАННЫЕ* на стр. 202.
- Не используйте поврежденное режущее оборудование.

## Головка триммера

- Убедитесь, что режущая леска плотно и равномерно намотана на барабан, чтобы уменьшить вибрацию.
- Используйте только одобренные головки триммера и режущую леску. См. *ТЕХНИЧЕСКИЕ ДАННЫЕ* на стр. 202.
- Используйте режущую леску соответствующей длины. Длинная режущая леска требует большей мощности двигателя, чем короткая.

- Убедитесь, что резчик на щитке режущего оборудования не поврежден.
- Замочите режущую леску в воде на 2 дня, прежде чем установить ее на изделие. Это поможет продлить срок службы режущей лески.

## Правила безопасного обращения с топливом

- Запрещается запускать изделие, если на него попало топливо или моторное масло. Удалите постороннее топливо/масло и дайте изделию высохнуть. Удалите постороннее топливо с поверхности изделия.
- Если топливо попало на одежду, немедленно смените ее.
- Не допускайте попадания топлива на тело, это может причинить вред здоровью. При попадании топлива на тело смойте его водой с мылом.
- Запрещается запускать двигатель, если вы пролили масло или топливо на изделие или тело.
- Запрещается запускать изделие при наличии утечки из двигателя. Регулярно проверяйте двигатель на наличие утечек.
- Соблюдайте осторожность при обращении с топливом. Топливо является легковоспламеняющейся жидкостью со взрывоопасными парами и может привести к серьезным или смертельным травмам.
- Запрещается вдыхать пары топлива, т. к. это может причинить вред здоровью. Убедитесь в наличии достаточного потока воздуха.
- Запрещается курить вблизи топлива или двигателя.
- Запрещается ставить теплые предметы рядом с топливом или двигателем.
- Запрещается доливать топливо при работающем двигателе.
- Прежде чем заправить изделие, убедитесь, что двигатель полностью остыл.
- Перед заправкой топлива медленно откройте крышку топливного бака и осторожно сбросьте давление.

- Запрещается заливать топливо в двигатель в помещении. Недостаточная вентиляция может привести к травме или смерти в результате удушья или отравления угарным газом.
- Аккуратно затяните крышку топливного бака во избежание возгорания.
- Переместите изделие минимум на 3 м (10 футов) от места заправки топливом, прежде чем запустить его.
- Не наливайте в топливный бак слишком много топлива.
- Убедитесь, что при перемещении изделия или емкости для топлива невозможно возникновение утечки.
- Запрещает размещать изделие или емкость для топлива вблизи открытого огня, искр или горящих фитилей. Убедитесь, что в месте хранения отсутствует открытый огонь.
- Используйте только одобренные емкости для переноски и хранения топлива.
- Сливайте топливо из топливного бака перед размещением изделия на длительное хранение. Соблюдайте требования местного законодательства в отношении места утилизации топлива.
- Очистите изделие, прежде чем поместить его на длительное хранение.
- Прежде чем поместить изделие на хранение, снимите кабель свечи зажигания во избежание случайного запуска двигателя.

## Инструкции по безопасности во время технического обслуживания

- Если вы не можете отрегулировать скорость холостого хода для остановки режущего оборудования, обратитесь в сервисный центр. Запрещается пользоваться изделием, пока не будет выполнена точная регулировка или ремонт.

---

## СБОРКА

---



**ПРЕДУПРЕЖДЕНИЕ:** Перед сборкой изделия ознакомьтесь с разделом безопасности.

### Установка петельной рукоятки

1. Установите петельную рукоятку на штангу, как показано на рисунке, и затяните.(Рис. 27 )
2. Помните, что петельная рукоятка устанавливается между стрелками на штанге.

### Сборка двухсекционной штанги

1. Поверните ручку, чтобы ослабить соединительную муфту штанги.(Рис. 28 )
2. Совместите выступ штанги (А) со стрелкой на муфте (В).(Рис. 29 )
3. Вставьте штангу в соединительную муфту, пока штанга не зафиксируется.(Рис. 30 )
4. Перед использованием изделия убедитесь, что ручка затянута.(Рис. 31 )

## Разборка двухсекционной штанги

1. Поверните ручку, чтобы ослабить соединительную муфту штанги.(Рис. 32 )
2. Надавите и удерживайте кнопку (С).(Рис. 33 ) Удерживая двигатель, вытяните штангу из соединительной муфты.

## Сборка режущего оборудования

### Установка щитка режущего оборудования и головки триммера (прямая штанга)

1. Закрепите щиток режущего оборудования (А) на штанге с помощью болта (L).(Рис. 34 ) Убедитесь, что вы используете соответствующие щиток режущего оборудования и головку триммера.
2. Наденьте ведущий диск (В) на выходной вал.
3. Поворачивайте выходной вал до тех пор, пока отверстие ведущего диска не совместится с отверстием в коробке передач.

4. Вставьте небольшую отвертку (С) в отверстие, чтобы зафиксировать вал.(Рис. 35 )
5. Поворачивайте головку триммера (Н) против часовой стрелки, чтобы закрепить головку на редукторе. (Левая резьба.)(Рис. 36 )

### Установка щитка режущего оборудования и головки триммера (изогнутая штанга)

1. Установите щиток.(Рис. 37 ) Затяните гайку.
2. Закрепите пылезащитный колпачок на штанге. (Рис. 38 )
3. Удерживайте пылезащитный колпачок регулируемым гаечным ключом, чтобы предотвратить проворачивание штанги.
4. Установите головку триммера на штангу. Поверните головку триммера по часовой стрелке.

## ЭКСПЛУАТАЦИЯ



**ПРЕДУПРЕЖДЕНИЕ:** Перед началом эксплуатации изделия внимательно изучите раздел техники безопасности.

- Используйте бензин с более высоким октановым числом, если изделие часто используется с постоянно высокой частотой оборотов двигателя.

## Топливо

### Использование топлива



**ВНИМАНИЕ:** Изделие оборудовано двухтактным двигателем. Используйте смесь бензина и масла для двухтактных двигателей. Убедись, что смесь содержит соответствующее количество масла. Неправильное соотношение бензина и масла может привести к повреждению двигателя.

### Масло для двухтактных двигателей

- Используйте только высококачественное масло для двухтактных двигателей. Используйте только моторное масло для двигателей с воздушным охлаждением.
- Не используйте другие виды масла.
- Соотношение компонентов смеси 50:1 (2%)

Бензин	Масло
1 ам. галлон	77 мл (2,6 унции)
1 британский галл.	95 мл (3,2 унции)
5 л	100 мл (3,4 унции)

### Бензин



**ВНИМАНИЕ:** Не используйте бензин с октановым числом меньше 90 RON (87 AKI). Это может привести к повреждению изделия.

### Приготовление топливной смеси

**Примечание:** Для приготовления топливной смеси всегда используйте чистую емкость для топлива.



**ВНИМАНИЕ:** Запрещается использовать бензин с концентрацией этанола более 10% (E10). Это может привести к повреждению изделия.

**Примечание:** Не готовьте топливную смесь в количестве из расчета более чем на 30 дней.

- Всегда используйте свежий неэтилированный бензин с минимальным октановым числом 90 RON (87 AKI) и концентрацией этанола менее 10% (E10).

1. Налейте половину от всего количества бензина.
2. Добавьте все количество масла.
3. Встряхните топливную смесь, чтобы смешать компоненты.
4. Добавьте оставшийся бензин.

5. Встряхните топливную смесь, чтобы смешать компоненты.
6. Заполните топливный бак.

## Заправка топливом

- Всегда используйте емкость для топлива с клапаном от переполнения.
- Если на емкость попало топливо, удалите его и дайте емкости высохнуть.
- Убедитесь, что область вокруг крышки топливного бака чистая.
- Встряхните емкость для топлива, прежде чем налить топливную смесь в топливный бак.

## Запуск и остановка

### Перед запуском двигателя

- Проверьте изделие на наличие всех, поврежденных, ослабленных или изношенных деталей.
- Проверьте затяжку гаек, винтов и болтов.
- Проверьте воздушный фильтр.
- Проверьте правильность работы стопора рычага дросселя и ручки газа.
- Проверьте исправность работы выключателя двигателя.
- Проверьте изделие на наличие утечек топлива.
- Проверьте заточку и натяжение цепи пилы.

### Запуск холодного двигателя

1. Нажмите 10 раз грушу подкачивающего насоса. (Рис. 39 )
2. Потяните заслонку вверх.(Рис. 40 )
3. Прижмите корпус изделия к земле левой рукой. (Рис. 41 ) Не наступайте на изделие. Медленно потяните шнур стартера, пока не почувствуется сопротивление. Затем резко дерните шнур стартера.

**Примечание:** При запуске двигателя запрещается тянуть рычаг дросселя.

4. Продолжайте дергать шнур стартера, пока не запустится или не начнет запускаться двигатель (макс. 3 раза). При запуске или попытке запуска двигателя опустите заслонку. Продолжайте рывки, пока двигатель не запустится. Подождите 60 секунд после запуска и потяните рычаг дросселя.



**ВНИМАНИЕ:** Не тяните шнур стартера, пока он не остановится. Не отпускайте шнур стартера, когда он полностью вытянут. Медленно отпустите шнур стартера. Несоблюдение этих инструкций может привести к повреждению двигателя.

## Запуск прогретого двигателя

1. Нажмите 10 раз грушу подкачивающего насоса.
2. Тяните шнур стартера до запуска двигателя.

## Остановка

- Нажмите на выключатель, чтобы остановить двигатель.(Рис. 42 )

**Примечание:** Выключатель автоматически возвращается в исходное положение.

## Эксплуатация триммера для травы



**ВНИМАНИЕ:** После каждой операции сбрасывайте обороты двигателя до скорости холостого хода. Работа в течение длительного времени при полном открытии дроссельной заслонки без какой-либо нагрузки на двигатель может привести к повреждению двигателя.

**Примечание:** Очищайте крышку головки триммера при установке новой режущей лески для предотвращения вибрации. Проверьте другие детали головки триммера и очистите их при необходимости.

### Стрижка травы

1. Держите головку триммера чуть выше земли под углом.(Рис. 43 ) Не прижимайте режущую леску к траве.
2. Уменьшите длину режущей лески на 10–12 см (4–4,75 дюйма) и частоту оборотов двигателя, чтобы уменьшить риск повреждения растений.
3. При стрижке травы вблизи предметов дроссель должен быть открыт на 80%.(Рис. 44 )

### Кошение травы

1. При кошении травы держите режущую леску триммера параллельно земле.(Рис. 45 )
2. Не прижимайте головку триммера к земле. Это может привести к повреждению изделия и грунта.
3. Не позволяйте головке триммера постоянно соприкасаться с землей, это может повредить головку триммера.
4. Для скашивания травы перемещайте изделие из стороны в сторону при полностью открытом дросселе.(Рис. 46 ) Убедитесь, что режущая леска расположена параллельно земле.

### Замена режущей лески

- (Рис. 47 )  
(Рис. 48 )  
(Рис. 49 )  
(Рис. 50 )



---

## ТЕХНИЧЕСКОЕ ОБСЛУЖИВАНИЕ

---



**ПРЕДУПРЕЖДЕНИЕ:** Перед очисткой, ремонтом или техническим обслуживанием изделия внимательно изучите раздел техники безопасности.

### График технического обслуживания

Соблюдайте график техобслуживания. Интервалы рассчитаны на основе ежедневной эксплуатации изделия. Если изделие не используется каждый день, интервалы будут другими. Выполняйте самостоятельно только те работы по техобслуживанию, которые описаны в данном руководстве. Другие работы по техобслуживанию, не описанные в этом руководстве, должны выполняться авторизованным сервисным центром.

#### Еженедельное обслуживание

- Очистите внешние поверхности.
- Проверьте скорость холостого хода.
- Проверьте смазку зубчатой передачи.

#### Ежемесячное обслуживание

- Проверьте ручку стартера и шнур стартера.

#### Ежегодное обслуживание

- Проверьте свечу зажигания.
- Нанесите смазку на конец ведущего вала (двухсекционная штанга).
- Очистите внешние поверхности карбюратора и прилегающих областей.
- Очистите систему охлаждения.
- Проверьте искрогасительную сетку.
- Проверьте топливный фильтр.
- Проверьте топливный шланг на наличие повреждений.
- Осмотрите все провода и соединения.

#### 50-часовое техобслуживание

- Обратитесь в авторизованный сервисный центр для ремонта или замены глушителя.

### Регулировка скорости холостого хода

- Перед регулировкой скорости холостого хода убедитесь, что воздушный фильтр чистый и установлена крышка воздушного фильтра.
- Отрегулируйте обороты холостого хода с помощью винта регулировки холостого хода Т, обозначенного меткой "Т".
- Скорость холостого хода правильная, если двигатель работает ровно во всех положениях. Скорость холостого хода должна быть ниже

скорости, при которой режущее оборудование начинает вращаться.

1. Поворачивайте винт регулировки по часовой стрелке до тех пор, пока режущее оборудование не начнет вращаться. (Рис. 55 )
2. Затем поворачивайте винт регулировки против часовой стрелки, пока режущее оборудование не остановится.

### Техобслуживание искрогасительной сетки

Для очистки искрогасительной сетки используйте металлическую щетку. (Рис. 56 )

### Очистка системы охлаждения

Для очистки компонентов системы охлаждения используйте щетку.

(Рис. 57 )

### Проверка свечи зажигания



**ВНИМАНИЕ:** Используйте только рекомендуемые свечи зажигания. Убедитесь, что запчасть имеет такие же характеристики, что и деталь производителя. Применение неподходящих свечей зажигания может привести к повреждению изделия.

1. Проверять свечу зажигания необходимо в следующих случаях:
  - a) при снижении мощности двигателя;
  - b) при затруднительном запуске двигателя;
  - c) при некорректной работе двигателя на холостых оборотах.
2. Если двигатель запускается с трудом или не работает, проверьте свечу зажигания на наличие посторонних материалов. Чтобы уменьшить риск появления посторонних материалов на электродах свечи зажигания:
  - a) убедитесь в правильности регулировки скорости холостого хода;
  - b) убедитесь в правильности состава топливной смеси;
  - c) убедитесь, что воздушный фильтр чист;
3. очистите свечу зажигания, если она загрязнена. Проверьте правильность зазора между электродами. (Рис. 58 )
4. При необходимости замените свечу зажигания.

## Смазывание двухсекционной штанги

- Смазывайте конец ведущего вала через каждые 30 часов эксплуатации.(Рис. 59 )

## Техобслуживание воздушного фильтра

### Очистка воздушного фильтра

1. Снимите крышку воздушного фильтра и воздушный фильтр.(Рис. 60 )
2. Промойте воздушный фильтр теплой мыльной водой. Перед установкой фильтра на место убедитесь, что он полностью высох.
3. Если воздушный фильтр слишком грязный, чтобы полностью его очистить, замените его. Всегда заменяйте поврежденный воздушный фильтр.
4. Если изделие оснащено поролоновым воздушным фильтром, нанесите масло для воздушного фильтра. Масло для воздушного фильтра наносится только на поролоновый фильтр. Нельзя наносить масло на фетровый фильтр.

### Нанесение масла на воздушный фильтр



**ВНИМАНИЕ:** Всегда используйте специальное масло для поролоновых

воздушных фильтров. Не используйте другие виды масла.



**ПРЕДУПРЕЖДЕНИЕ:** Не допускайте попадания масла на тело.

1. Снимите крышку воздушного фильтра и воздушный фильтр.(Рис. 61 )
2. Поместите воздушный фильтр в полиэтиленовый пакет.
3. Налейте в полиэтиленовый пакет масло для воздушного фильтра.(Рис. 62 )
4. Сожмите пакет, чтобы равномерно распределить масло по воздушному фильтру.
5. Сожмите воздушный фильтр в пакете, чтобы удалить излишки масла. Извлеките воздушный фильтр из пакета.
6. Установите воздушный фильтр.

## Добавление смазки в зубчатую передачу

Убедитесь, что зубчатая передача на 3/4 заполнена смазкой для зубчатой передачи.

(Рис. 63 )

## ТЕХНИЧЕСКИЕ ДАННЫЕ

	Единица измерения	129C (A05328CCHV)	129L (A05328CSHV)	129LK (A05328CSHV)
<b>Спецификации двигателя</b>				
Объем цилиндра	см <sup>3</sup>	27,6	27,6	27,6
Зазор между электродами	мм	0,5	0,5	0,5
Объем топливного бака	см <sup>3</sup>	343	343	343
Холостой ход	мин <sup>-1</sup>	2800 - 3200	2800 - 3200	2800 - 3200
Максимальная частота вращения	мин <sup>-1</sup>	8000	8000	8000
Мощность на выходе	кВт	0,85	0,85	0,85
Свеча зажигания		Husqvarna HQT-4	Husqvarna HQT-4	Husqvarna HQT-4
Макс. частота вращения выходного вала	мин <sup>-1</sup>	8500	7200	7200
<b>Уровень шума и вибрации</b>				
Эквивалент уровня вибрации (ahv, eq), левая рукоятка — см. примечание 1	м/с <sup>2</sup>	3,64	9,9	9,9

Эквивалент уровня вибрации (ahv, eq), правая рукоятка — см. примечание 1	м/с <sup>2</sup>	3,59	8,9	8,9
Уровень мощности шума, гарантированный (L <sub>WA</sub> ) — см. примечание 2	дБ(А)	114	114	114
Уровень мощности шума, измеренный — см. примечание 2	дБ(А)	106	105	106
Уровень звукового давления на уровне уха оператора — см. примечание 3	дБ(А)	93	95	95
<b>Размеры изделия</b>				
Вес (без режущего оборудования)	кг	4,61	5,21	5,98
<b>Примечание 1</b> Указанные данные об уровне вибрации имеют типичный статистический разброс (стандартное отклонение) 1 м/с <sup>2</sup> .				
<b>Примечание 2:</b> Излучение шума в окружающую среду измеряется как шумовой эффект (L <sub>WA</sub> ) согласно Директиве ЕС 2000/14/ЕС. Указанный уровень мощности звука для устройства измерен с оригинальным режущим оборудованием, дающим наивысший уровень. Разница между гарантированной и измеренной мощностью звука заключается в том, что гарантированная мощность звука также включает разброс результатов измерений и их отклонение для устройств одной и той же модели, согласно директиве 2000/14/ЕС.				
<b>Примечание 3:</b> Указанные данные об эквивалентном уровне давления звука для устройства имеют типичный статистический разброс (стандартное отклонение) 1 дБ(А).				

## ПРИНАДЛЕЖНОСТИ

<b>129C</b>		
<b>Соответствующие принадлежности</b>	<b>Тип</b>	<b>Щиток режущего оборудования</b>
Резьбовой вал (3/8 R)		
Головка триммера	T25 (Ø 2,0 – 2,4 мм)	580 44 66-10
<b>129L, 129LK</b>		
<b>Соответствующие принадлежности</b>	<b>Тип</b>	<b>Щиток режущего оборудования</b>
Резьбовой вал (M10L)		
Головка триммера	T25 (Ø 2,0 – 2,4 мм)	580 44 66-06

<b>Дополнительные принадлежности</b>	<b>Тип</b>	<b>Совместимая модель</b>
Насадка-щетка с валом	SR600	129LK
Насадка-триммер для изгороди с валом	HA850	129LK
Насадка подрезчика с валом	EA850	129LK
Насадка-пила с валом	PA1100	129LK
Насадка культиватора с валом	CA150	129LK

Дополнительные принадлежности	Тип	Совместимая модель
Насадка триммера для травы с валом	TA850	129LK
Насадка-пила с валом	PAX1100	129LK
Насадка-пила с валом	PAX730	129LK

## СОДЕРЖАНИЕ ДЕКЛАРАЦИИ О СООТВЕТСТВИИ ЕС

Компания Husqvarna AB, SE 561 82 Huskvarna, ШВЕЦИЯ, под свою исключительную ответственность заявляет, что представленное изделие:

Описание	Бензиновый триммер/кусторез
Марка	
Платформа / Тип / Модель	Платформа A05328CCHV, представленная моделью 129C  Платформа A05328CSHV, представленная моделями 129L и 129LK
Партия	Серийный номер с 2013 года и далее

Организацией TÜV Rheinland N.A. был проведен добровольный контроль от имени Husqvarna AB, в результате которого был выдан Сертификат соответствия директиве ЕС 2006/42/ЕС о механическом оборудовании.

Сертификат, предоставленный в подписанной декларации соответствия ЕС, действителен для всех предприятий и стран производителя, как указано на изделии.

Поставляемый бензиновый триммер/кусторез соответствует эталону, прошедшему контроль.

полностью соответствует следующим директивам и нормам ЕС:

Директива/Норматив	Описание
2006/42/ЕС	"о механическом оборудовании"
2014/30/EU	"об электромагнитной совместимости"
2000/14/ЕС	"об излучении шума от оборудования, размещенного вне помещения"

Применяются следующие согласованные стандарты и/или технические спецификации: EN ISO 12100, EN ISO 11806-1, CISPR 12, ISO 14982

В соответствии с директивой 2000/14/ЕС, приложение V, заявленные значения звукового давления указаны в разделе технических данных настоящего руководства и в подписанной декларации соответствия ЕС.

---

## Sisukord

---

SISSEJUHATUS.....	205	TEHNILISED ANDMED.....	212
OHUTUS.....	206	ACCESSORIES (Lisavarustus).....	213
KOKKUPANEK.....	208	EL-I VASTAVUSDEKLARATSIOONI SISU.....	213
Kasutamine.....	209	.....	0
HOOLDUS.....	211		

---

## SISSEJUHATUS

---

### Kasutusjuhend

Selle kasutusjuhendi originaal on koostatud inglise keeles. Teistes keeltes kasutusjuhendid on tõlgitud inglise keelest.

### Ülevaade

(Joon. 1 )

1. Trimmeripea
2. Määrdeaine täitekork
3. Nurkreduktor
4. Lõikepea kaitse
5. Vars
6. Varre kinnitus
7. Silmuskäepide
8. Gaasihoovastiku nupp
9. Seiskamislüliti
10. Gaasipäästiku lukusti
11. Süüteküünla kate, süüteküünal
12. Starteri korpus
13. Käivitusnööri käepide
14. Kütusepaak
15. Õhufiltri kaas
16. Kütusepump
17. Õhuklapp
18. Vedamisketas
19. Kasutusjuhend

### Sümbolid tootel

(Joon. 2 ) Hoiatus

(Joon. 3 ) Lugege kasutusjuhendit.

(Joon. 4 ) Kandke heakskiidetud kiivrit.

(Joon. 5 ) Kandke heakskiidetud kõrvaklappe.

(Joon. 6 ) Kandke heakskiidetud kaitseprille.

(Joon. 7 ) Kandke heakskiidetud kaitsekindaid.

(Joon. 8 ) Kandke kaitsejalatseid.

(Joon. 9 ) Toode võib esemeid õhku paisata ja see võib kahjustada silmi.

Toode võib esemeid õhku paisata ja see (Joon. 10 ) võib kahjustada silmi.

(Joon. 11 ) Väljuva võlli suurim kiirus.

(Joon. 12 ) Ohutsoon

Kasutage ainult heakskiidetud trimmerijõhvi. (Joon. 13 ) Ärge kasutage lõikeketast.

(Joon. 14 ) Ärge kasutage metallist lõikeosa.

Jälgige, et pikad juuksed ei ulatuks õlgadest (Joon. 15 ) allapoole.

(Joon. 16 ) Nooled tähistavad käepideme piiraseindeid.

(Joon. 17 ) Helitugevuse tase.

(Joon. 18 ) Müratase

See seade vastab kehtivatele EÜ (Joon. 19 ) direktiividele.

See seade vastab kehtivatele EAC (Joon. 20 ) direktiividele.

See seade vastab kehtivatele Ukraina (Joon. 21 ) direktiividele.

**Märkus:** Seadmel toodud ülejäänud sümbolid/tähised vastavad muude kommertsvaldkondade sertifitseerimisnõuetele.

---

### Tootevastutus

Tootevastutusseaduste alusel ei vastuta me tootest tingitud kahjustuste eest, kui:

- toodet on valesti parandatud;
- toote parandamisel on kasutatud osi, mis ei ole tootja poolt valmistatud või heakskiidetud;

- tootel on kasutatud tarvikut, mis ei ole tootja poolt valmistatud või heaks kiidetud;

- toodet ei ole parandatud volitatud hoolduskeskuses või volitatud isiku poolt.

## OHUTUS

### Ohutuse määratlused

Järgnevad määratlused näitavad mürgusõnade raskusastet.



**HOIATUS:** Kehavigastused.



**ETTEVAATUST:** Toote kahjustus.

**Märkus:** See teave hõlbustab toote kasutamist.

### Üldised ohutuseeskirjad

- Kasutage toodet õigesti. Valesti kasutamise tagajärjeks võib olla kehavigastus või surm. Kasutage toodet ainult käesolevas kasutusjuhendis kirjeldatud tööde tegemiseks. Ärge kasutage toodet muude tööde tegemiseks.
- Järgige käesolevas kasutusjuhendis toodud juhiseid. Järgige hoiatussümboleid ja ohutuseeskirju. Kui operaator ei järgi juhiseid, eeskirju ja sümboleid, võib selle tagajärjeks olla kahjustus, kehavigastus või surm.
- Hoidke see kasutusjuhend alles. Tarvitage kasutusjuhendit toote kokkupanemisel, kasutamisel ja heas töökorras hoidmisel. Tarvitage kasutusjuhendit tarvikute ja lisavarustuse õigeks paigaldamiseks. Kasutage ainult heakskiidetud tarvikuid ja lisavarustust.
- Ärge kasutage kahjustatud toodet. Järgige hoolduskeemi. Tehke ainult neid hooldustöid, mille juhised on toodud selles kasutusjuhendis. Kõik ülejäänud hooldustööd peab tegema volitatud hoolduskeskuses.
- Selles kasutusjuhendis ei saa kirjeldada kõiki olukordi, mis võivad toote kasutamise käigus ette tulla. Olge ettevaatlik ja kasutage tervet mõistust. Ärge kasutage toodet ega tehke hooldustöid, kui te pole antud olukorras kindel. Vestelge lisateabe saamiseks toote asjatundja, edasimüüja, hooldustöökoha või volitatud hoolduskeskuse esindajaga.
- Enne toote kokkupanemist, hoiule asetamist või hooldustööde tegemist lahutage süüteküünlä juhe.
- Ärge kasutage toodet, kui selle algeid tehnilisi näitajaid on muudetud. Ärge muutke toote ühtegi osa ilma tootja heakskiiduta. Kasutage ainult tootja poolt heaks kiidetud osi. Vale hooldamise tagajärjeks võib olla kehavigastus või surm.

- Ärge hingake sisse mootori heitgaase. Mootori heitgaaside pikaajaline sissehingamine on tervisele ohtlik.
- Ärge käivitage toodet siseruumis ega tuleohtlike materjalide ligidal. Heitgaasid on tulised ja võivad sisaldada sädemeid, mis võivad põhjustada tulekahju. Ebapiisav õhuvahetus võib põhjustada lämbumisest või vingugaasimürgitusest tingitud kehavigastuse või surma.
- Toote mootor tekitab kasutamise ajal elektromagnetvälja. Elektromagnetväli võib kahjustada meditsiinilisi implantaate. Enne toote kasutamist pidage nõu oma arsti ja implantaadi valmistajaga.
- Ärge lubage lastel toodet käsitseda. Ärge lubage kasutusjuhustega mitte tutvunud isikul toodet käsitseda.
- Kui toodet kasutab piiratud füüsiliste või vaimsete võimetega isik, peab ta olema kogu aeg järelevalve all. Vastutusvõimeline täiskasvanu peab kogu aeg kasutaja juures viibima.
- Kasutusel mitte olev toode lukustage kohta, kus lapsed ja volitamata isikud selle juurde ei pääse.
- Toode võib esemeid õhku paisata ja põhjustada kehavigastusi. Vigastus- ja surmaohtu vähendamiseks järgige ohutuseeskirju.
- Ärge lahkuge töötava mootoriga toote juurest.
- Õnnetusjuhtumite eest toote kasutamisel vastutab toote operaator.
- Enne toote kasutamist veenduge, et kõik osad oleksid terved.
- Enne toote kasutamise alustamist veenduge, et teised inimesed ja loomad asuksid teist vähemalt 15 m (50 jala) kaugusel. Veenduge, et läheduses viibivad inimesed oleksid toote kasutamisest teadlikud.
- Tutvuge riiklike või kohalike eeskirjadega. Need võivad toote kasutamist teatud asjaoludel piirata või selle keelata.
- Ärge kasutage seadet, kui olete väsinud või tarvitanud alkoholi, narkootikume või ravimeid. See võib mõjutada teie nägemist, tähelepanelikkust, koordineerimist või hinnangut.

### Ohutusjuhised kasutamisel

- Enne toote kasutamist veenduge, et see oleks täielikult kokku pandud.
- Enne käivitamist viige toode vähemalt 3 m (10 jala) kaugusele kohast, kus toimus kütusepaagi täitmine. Asetage toode tasasele pinnale. Veenduge, et lõikeosa ei puutuks vastu maad või muid esemeid.

- Toode võib esemeid õhku paisata ja see võib kahjustada silmi. Toote kasutamisel kandke alati heakskiidetud kaitseprille.
- Olge tähelepanelik, sest näiteks laps võib toote kasutamise ajal ootamatult teie lähedale tulla.
- Ärge kasutage toodet, kui tööpiirkonnas on inimesi. Peatage toode, kui tööpiirkonda siseneb inimene.
- Veenduge, et toode oleks alati teie kontrolli all.
- Ärge kasutage toodet, kui te ei saa võimaliku õnnetusjuhtumi korral kedagi appi kutsuda. Enne toote kasutamise alustamist veenduge alati, et teised oleksid toote kasutamisest teadlikud.
- Ärge pöörake end koos tootega enne, kui olete veendunud, et ohualas ei viibiks ühtegi inimest ega looma.
- Enne töö alustamist eemaldage tööpiirkonnast kõik sobimatud esemed. Kui löikeosa pörkab vastu eset, võib ese õhku paiskuda ja põhjustada kehavigastuse või surma. Sobimatud esemed võivad löikeosa külge takerduda ja põhjustada kahjustusi.
- Ärge kasutage toodet halva ilmaga (udu, vihm, tugev tuul, äikesoht vms ilmaolud). Halva ilmaga võivad tekkida ohtlikud tingimused (näiteks libedad pinnad).
- Veenduge et saaksite liikuda vabalt ja töötada stabiilses asendis.

(Joon. 22 )

- Kindlustage, et te ei saaks toote kasutamise ajal kukkuda. Ärge kallutage toote kasutamise ajal.
- Hoidke toodet alati kahe käega. Hoidke toodet endast paremal.

(Joon. 23 )

- Toote kasutamise ajal peab löikeosa asuma võõkohast allpool.
- Kui õhuklapp on mootori käivitamisel õhuklapi asendis, hakkab löikeosa pöörlema.
- Pärast mootori seiskumist ärge puudutage nurkreduktorit. Nurkreduktor on pärast mootori seiskumist tuline. Tulised pinnad võivad põhjustada kehavigastusi.
- Enne toote liigutamist seisake mootor.
- Ärge asetage töötava mootoriga toodet maha.
- Enne toote külge jäänud kõrvaliste esemete eemaldamist seisake mootor ja oodake, kuni löikeosa on peatunud. Enne kui teie ise või abiline asub kõrvalisi esemeid eemaldama, laske löikeosal täielikult peatuda.

## Isiklik kaitsevarustus

- Toote kasutamise ajal kandke alati kohast isiklikku kaitsevarustust. Isiklik kaitsevarustus ei kõrvalda täielikult kehavigastuste ohtu. Isiklik kaitsevarustus vähendab õnnetuse korral kehavigastuse raskusastet.
- Toote kasutamisel kandke alati heakskiidetud kaitseprille.
- Ärge käsitsege toodet paljajalu või lahtiste jalatsitega. Kandke alati vastupidavaid libisemiskindlaid jalanõusid.

- Kandke tugevaid pikki pükse.
- Vajaduse korral kandke heakskiidetud kaitsekindaid.
- Kui valitseb kõrgel asuvate esemete allakukkumise oht, kandke kiivrit.
- Toote kasutamisel kandke alati heakskiidetud kõrvaklappe. Pikaajaline mürakeskkonnas viibimine võib põhjustada müra- ja kuulmiskadu.
- Veenduge, et läheduses asuks esmaabikomplekt.

## Toote kaitseeadised

- Tehke regulaarselt toote ettenähtud hooldustöid.
  - Toote kasutusiga pikeneb.
  - Õnnetuste oht väheneb.

Laske toode edasimüüja juures või volitatud hoolduskeskuses regulaarselt läbi vaadata ja teha vajalikud reguleerimis- või parandustööd.

- Ärge kasutage toodet, kui kaitseeadised on kahjustatud. Kui toode saab kahjustada, pöörduge volitatud hoolduskeskusesse.

## Gaasihoovastiku nupu lukk

Gaasihoovastiku nupu lukk lukustab gaasihoovastiku nupu.

(Joon. 24 )

Gaasihoovastiku nupu (B) vabastamiseks vajutage gaasihoovastiku nupu lukku (A). Kui lasete käepidemest lahti, naasevad gaasihoovastiku nupu lukk ja gaasihoovastiku nupp tagasi algasendisse.

1. Gaasihoovastiku nupu luku (A) vabastamisel veenduge, et gaasihoovastiku nupp (B) oleks lukustatud tühikäigule.
2. Vajutage gaasihoovastiku nupu lukku (A) ja veenduge, et vabastamisel liiguks see tagasi algasendisse.
3. Vajutage gaasihoovastiku nuppu (A) ja veenduge, et vabastamisel liiguks see tagasi algasendisse.

Käivitage mootor ja rakendage täisgaas. Vabastage gaasihoovastiku nupp ja kontrollige, kas löikeosa peatub. Kui gaasihoovastiku tühikäigu asendis olemise ajal löikeosa pöörleb, kontrollige karburaatori tühikäigu reguleerimiskruvi.

## Seiskamislüli

Käivitage mootor. Veenduge, et seiskamislüli seadmisel seiskamisasendisse mootor seiskuks.

(Joon. 25 )

## Löikeosa kaitse

Löikeosa kaitse takistab lahtiste esemete paiskumist seadmekasutaja suunas.

(Joon. 26 )

Kontrollige, kas löikeosa kaitse on terve; kahjustuse korral asendage löikeosa. Kasutage löikeosal üksnes heakskiidetud kaitset.

## Summuti

- Ärge kasutage mootorit, kui summuti on kahjustatud. Kahjustatud summuti tõstab mürataset ja suurendab tulekahju ohtu. Hoidke tulekustuti käepäraselt.
- Kontrollige regulaarselt, kas summuti on toote küljes alles.
- Ärge puudutage mootorit ega summutit, kui mootor on tuline. Ärge puudutage mootorit ega summutit mõnda aega pärast mootori seiskamist. Tulised pinnad võivad põhjustada kehavigastusi.
- Tuline summuti võib põhjustada tulekahju. Olge väga ettevaatlik, kui kasutate toodet tuleohtlike vedelike või aurude läheduses.
- Kui summuti on kahjustatud, ärge puudutage summuti osi. Osad võivad sisaldada kantserogeenseid aineid.

## Lõikeosa

- Tehke regulaarselt hooldustöid. Laske lõikeosa volitatud hoolduskeskuses regulaarselt läbi vaadata ja teha vajalikud reguleerimis- või parandustööd.
  - Lõikeosa jõudlus suureneb.
  - Lõikeosa kasutusiga pikeneb.
  - Õnnetuste oht väheneb.
- Kasutage üksnes heakskiidetud lõikeosa kaitset. Lisateavet leiate jaotisest *TEHNILISED ANDMED lk 212*.
- Ärge kasutage kahjustatud lõikeosa.

## Rohutrimmeripea

- Vibratsiooni vähendamiseks kerige rohutrimmeri jõhv trumlile tihedalt ja ühtlaselt.
- Kasutage üksnes heakskiidetud rohutrimmeripäid ja rohutrimmeri jõhve. Vt jaotist *TEHNILISED ANDMED lk 212*.
- Kasutage õige pikkusega rohutrimmeri jõhvi. Pikk rohutrimmeri jõhv tarvitab rohkem mootori võimsust kui lühike rohutrimmeri jõhv.
- Kontrollige, et lõikeosa kaitse peal asetsev lõikur ei oleks kahjustatud.
- Enne rohutrimmeri jõhvi tootele paigaldamist leotage jõhvi kaks päeva vees. See pikendab rohutrimmeri jõhvi kasutusiga.

## Ohutusnõuded kütuse käsitsemisel

- Ärge käivitage toodet, kui toote pinnale on sattunud kütust või mootoriõli. Eemaldage kütus/õli toote pinnalt ja laske tootel kuivada. Eemaldage kütus toote pinnalt.
- Kui kütus satub rõivastele, siis vahetage kohe riideid.

- Vältige kütuse sattumist nahale, see võib põhjustada kehavigastusi. Kui kütus satub nahale, puhastage piirkond seebi ja veega.
- Ärge käivitage mootorit, kui kütus või õli satub toote pinnale või teie nahale.
- Ärge käivitage toodet, kui mootor lekib. Kontrollige regulaarselt mootori lekkekindlust.
- Olge kütuse käsitsemisel ettevaatlik. Kütus on tuleohtlik ja kütuse aurud on plahvatusohtlikud ning võivad põhjustada kehavigastusi või surma.
- Ärge hingake sisse kütuseaure, see võib põhjustada kehavigastuse. Tagage piisav õhuvahetus.
- Ärge suitsetage kütuse ega mootori läheduses.
- Ärge asetage kuumi esemeid kütuse ega mootori lähedusse.
- Ärge tankige kütust, kui mootor töötab.
- Enne tankimise alustamist veenduge, et mootor oleks külm.
- Enne tankimise alustamist avage aeglaselt kütusepaagi kork ja laske survel alaneda.
- Ärge tankige mootorit siseruumis. Ebapiisav õhuvahetus võib põhjustada lämbumisest või vingugaasimürgistusest tingitud kehavigastuse või surma.
- Keerake kütusepaagi kork hoolikalt kinni, et vältida tulekahju.
- Enne käivitamist viige toode vähemalt 3 m (10 jala) kaugusele kohast, kus toimus kütusepaagi täitmine.
- Ärge tankige paaki liiga palju kütust.
- Veenduge, et toote või kütusenõu liigutamisel ei tekiks leket.
- Ärge asetage toodet või kütusenõu kohta, kus on lahtine leek, sädemed või süüteleek. Veenduge, et hoiukohas ei oleks lahtist leeki.
- Kütuse kandmiseks või hoidmiseks kasutage üksnes heakskiidetud mahuteid.
- Enne pikaajalisele hoiule jätmist tühjendage kütusepaak. Järgige kütuse kasutusel kõrvaldamist reguleerivaid kohalikke eeskirju.
- Enne pikaajalisele hoiule jätmist puhastage toode.
- Enne toote hoiule jätmist eemaldage süüteküünla juhe, et vältida mootori tahtmatu käivitamise võimalust.

## Ohutusjuhised hooldamisel

- Kui te ei saa lõikeosa peatamiseks reguleerida tühikäigu pöörete arvu, pöörduge hoolduskeskusesse. Ärge kasutage toodet enne, kui see on korralikult reguleeritud või parandatud.

---

## KOKKUPANEK



**HOIATUS:** Enne toote kokkupanemise alustamist lugege läbi ohutuspeatükk.

## Silmuskäepideme paigaldamine

1. Paigaldage joonise eeskujul silmuskäepide varre külge ja pingutage. (Joon. 27 )



2. Veenduge, et silmuskäepide kinnituks varrel olevate noolte vahele.

## Lahtivõetava varre paigaldamine

1. Keerake nuppu, et avada varre liitmik.(Joon. 28 )
2. Seadke varre (A) sakk kohakuti varre liitmikul (B) oleva noolega.(Joon. 29 )
3. Lükake vars varre liitmiku sisse, kuni vars kinnitub. (Joon. 30 )
4. Enne toote kasutamata hakkamist pingutage kindlasti nuppu.(Joon. 31 )

## Lahtivõetava varre eemaldamine

1. Keerake nuppu, et avada varre liitmik.(Joon. 32 )
2. Vajutage nupule (C) ja hoidke seda all.(Joon. 33 ) Hoidke mootorit kinni ja tõmmake vars varre liitmikust välja.

## Lõikeosa paigaldamine

### Lõikeosa kaitse ja trimmeripea paigaldamine (sirge vars)

1. Kinnitage lõikeosa kaitse (A) varre külge poldiga (L). (Joon. 34 ) Kasutage kindlasti õiget lõikeosa kaitset ja trimmeripead.

2. Paigaldage veoketas (B) väljuvale völliile.
3. Pöörake väljuvat völli, kuni veoketta ava asub kohakuti ülekande avaga.
4. Pange avasse väike kruvikeeraja (C) ja lukustage vars.(Joon. 35 )
5. Keerake trimmeripead (H) vastupäeva, et trimmeripea käigukasti külge kinnitada. (Vasakpoolne keere)(Joon. 36 )

### Lõikeosa kaitse ja trimmeripea paigaldamine (köver vars)

1. Paigaldage kaitse.(Joon. 37 ) Keerake mutter kinni.
2. Paigaldage tolmu anum varrele.(Joon. 38 )
3. Hoidke tolmu anumat tellitava võtme abil kinni ja veenduge, et vars ei pöörduks.
4. Paigaldage trimmeripea varrele. Keerake trimmeripead päripäeva.

## Kasutamine



**HOIATUS:** Enne toote kasutamist lugege ohutuspeatükki ja tehke selles olev teave endale arusaadavaks.

## Kütus

### Kütuse kasutamine



**ETTEVAATUST:** Tootel on kahetaktiline mootor. Kasutage bensiini ja kahetaktiliste mootorite mootoriõli segu. Jälgige, et õli kogus segus oleks õige. Vale bensiini ja õli suhe võib mootorit kahjustada.

### Bensiin



**ETTEVAATUST:** Ärge kasutage bensiini, mille oktaaniarv on alla 90 RON (87 AKI). See võib toodet kahjustada.



**ETTEVAATUST:** Ärge kasutage bensiini, mille etanoolisisaldus (E10) on üle 10%. See võib toodet kahjustada.

- Kasutage alati värsket pliivaba bensiini, mille oktaaniarv on vähemalt 90 RON (87 AKI) ja etanoolisisaldus (E10) alla 10%.

- Kui toode töötab sageli püsivalt kõrge mootori kiirusega, kasutage suurema oktaaniarvuga bensiini.

### Kahetaktiliste mootorite mootoriõli

- Kasutage üksnes kõrge kvaliteediga kahetaktiliste mootorite mootoriõli. Kasutage üksnes õhkjahutusega mootorite mootoriõli.
- Ärge kasutage teist tüüpi õlisid.
- Segusuhe 50:1 (2%)

Bensiin	Õli
1 USA gallon	77 ml (2,6 untsi)
1 Briti gallon	95 ml (3,2 untsi)
5 l	100 ml (3,4 untsi)

### Kütusesegu valmistamine

**Märkus:** Kütuse segamiseks kasutage alati puhast kütusenõu.

**Märkus:** Ärge valmistage rohkem kütusesegu, kui kulub umbes 30 päeva jooksul.

1. Valage nõusse pool vajaminevast bensiinikogusest.
2. Valage nõusse kogu vajaminev õlikogus.

3. Loksutage kütusesegu, et koostisosad seguneksid.
4. Valage nõusse teine pool vajaminevast bensiiinikogusest.
5. Loksutage kütusesegu, et koostisosad seguneksid.
6. Täitke kütusepaaki.

## Kütuse tankimine

- Kasutage alati ülevoolukaitsega kütusenõu.
- Kui nõus on kütust, eemaldage ebavajalik kütus ja laske nõul kuivada.
- Veenduge, et kütusepaagi korgi ümbrus oleks puhas.
- Enne kütusesegu lisamist kütusepaaki loksutage kütusenõud.

## Käivitamine ja seiskamine

### Enne mootori käivitamist

- Veenduge, et tootel poleks puuduvaid, kahjustatud, lahtiisi või kulunud osi.
- Kontrollige mutreid, kruvisid ja polte.
- Kontrollige õhufiltrit.
- Kontrollige, kas gaasihoovastiku nupu lukk ja gaasihoovastik töötavad korralikult.
- Kontrollige, kas seiskamislüliti töötab korralikult.
- Kontrollige, kas tootel ei esine kütuseleket.
- Kontrollige saeketi teravust ja pingsust.

### Külma mootori käivitamine

1. Vajutage kütuse etteandepumpa 10 korda.(Joon. 39 )
2. Tõmmake õhuklapp üles.(Joon. 40 )
3. Suruge toote korpus vasaku käega vastu maad.(Joon. 41 ) Ärge astuge tootele. Tõmmake aeglaselt käivitusnööri käepidet, kuni tunnete vastupanu. Siis tõmmake käivitusnööri käepidet jõuga.

**Märkus:** Mootorit käivitades ärge tõmmake gaasihoovastiku nuppu.

4. Tõmmake käivitusnööri käepidet, kuni mootor käivitub või püüab käivituda (mitte üle kolme tõmbe). Kui mootor käivitub või püüab käivituda, lükake õhuklapp alla. Jätkake tõmbamist, kuni mootor käivitub. Pärast käivitumist oodake 60 sekundit ja alles siis tõmmake gaasihoovastiku nuppu.



**ETTEVAATUST:** Ärge tõmmake käivitusnööri enne, kui see peatub. Ärge laske täiesti välja tõmmatud käivitusnööri käest lahti. Vabastage käivitusnõör aeglaselt. Nende juhiste eiramine võib mootorit kahjustada.

### Sooja mootori käivitamine

1. Vajutage kütuse etteandepumpa 10 korda.

2. Tõmmake käivitusnööri, kuni mootor käivitub.

## Seiskamine

- Mootori seiskamiseks vajutage seiskamislüliti.(Joon. 42 )

**Märkus:** Seiskamislüliti naaseb automaatselt algasendisse.

## Murutrimmeri käsitsemine



**ETTEVAATUST:** Alati pärast tööoperatsiooni lõpetamist aeglustage mootor tühikäigu pöörete arvule. Pika aja vältel ilma koormuseta täisgaasil töötamine võib mootorit kahjustada.

**Märkus:** Uue trimmerijõhvi paigaldamisel puhastage vibratsiooni vältimiseks trimmeripea kate. Kontrollige üle ja vajaduse korral puhastage ka trimmeripea muud osad.

## Muru pügamine

1. Hoidke trimmipead nurga all maapinna kohal.(Joon. 43 ) Ärge vajutage trimmerijõhvi rohu sisse.
2. Taimekahjustamise ohu vähendamiseks lühendage trimmerijõhvi pikkust 10–12 cm (4–4,75 tolli) võrra ja vähendage mootori kiirust.
3. Esemete või rajatiste lähedal asuva muru pügamisel rakendage 80% gaasi.(Joon. 44 )

## Rohu lõikamine

1. Lõikamisel jälgige, et trimmijõhv asuks maapinnaga paralleelselt.(Joon. 45 )
2. Ärge vajutage trimmeripead vastu maapinda. See võib kahjustada maapinda ja toodet.
3. Jälgige, et trimmeripea ei puutuks pidevalt vastu maapinda, sest see võib trimmeripead kahjustada.
4. Kui liigutate muru lõigates toodet küljelt-küljele, rakendage täisgaasi.(Joon. 46 ) Veenduge, et trimmerijõhv asuks maapinnaga paralleelselt.

## Trimmerijõhvi vahetamine

- (Joon. 47 )  
(Joon. 48 )  
(Joon. 49 )  
(Joon. 50 )  
(Joon. 51 )  
(Joon. 52 )  
(Joon. 53 )  
(Joon. 54 )

# HOOLDUS



**HOIATUS:** Enne toote puhastamist, remontimist või hooldamist lugege ohutuspeatükki ja tehke selles olev teave endale arusaadavaks.

## Hooldusskeem

Järgige kindlasti hooldusskeemi. Intervallide arvutamisel on aluseks võetud toote igapäevane kasutamine. Kui toodet ei kasutata igapäevaselt, on intervallid erinevad. Tehke ainult neid hooldustöid, mida on selles kasutusjuhendis kirjeldatud. Hooldustööde osas, mida selles kasutusjuhendis kirjeldatud ei ole, pöörduge volitatud hoolduskeskuse poole.

### Iganädalane hooldus

- Puhastage välispinnad.
- Kontrollige tühikäigu kiirust.
- Kontrollige nurkreduktori määre seisukorda (sirge vars).

### Igakuine hooldus

- Kontrollige käivitusnööri käepidet ja käivitusnööri.

### Iga-aastane hooldus

- Kontrollige süüteküünalt.
- Kandke veovõlli otsale määret (lahtivõetav vars).
- Puhastage karbuaraatori ja selle ümbruse välispinnad.
- Puhastage jahutussüsteemi.
- Kontrollige sädemepüüdurit.
- Kontrollige kütusefiltrit.
- Veenduge, et kütusevoolikul poleks kahjustusi.
- Kontrollige kõiki juhtmeid ja ühendusi.

### 50 töötundi järgne hooldus

- Laske summuti volitatud hoolduskeskuses parandada või asendada.

## Tühikäigu pöörete arvu reguleerimine

- Enne tühikäigu pöörete arvu reguleerimist veenduge, et õhufilter oleks puhas ja õhufiltri kate asuks oma kohal.
  - Reguleerige tühikäigu pöörete arvu tühikäigu reguleerimiskruviga T, mis kannab tähist „T”.
  - Tühikäigu pöörete arv on õige siis, kui mootor töötab igas asendis ühtlaselt. Tühikäigu pöörete arv peab jääma allapoole lõikeosa pöörlema hakkamise kiirusest.
1. Keerake tühikäigu reguleerimiskruvi päripäeva, kuni lõikeosa hakkab pöörlema. (Joon. 55 )
  2. Keerake tühikäigu reguleerimiskruvi vastupäeva, kuni lõikeosa peatub.

## Sädemepüüduri hooldamine

Puhastage sädemepüüdur terasharjaga. (Joon. 56 )

## Jahutussüsteemi puhastamine

Puhastage jahutussüsteemi osad harjaga. (Joon. 57 )

## Süüteküünla kontrollimine



**ETTEVAATUST:** Kasutage soovitatud tüüpi süüteküünalt. Veenduge, et asendustooode oleks sama mis tootja tarnitud osa. Vale süüteküünal võib toodet kahjustada.

1. Kontrollige süüteküünalt, kui:
  - a) mootor töötab vähese võimsusega;
  - b) mootori käivitamine on raskendatud;
  - c) mootor ei tööta tühikäigul õigesti.
2. Kui mootori käivitamine või töötamine on raskendatud, kontrollige, kas süüteküünal leidub võõraid. Süüteküünla elektroodidele võõrainete kogunemise ohu vähendamiseks:
  - a) veenduge, et tühikäigu pöörete arv oleks õigesti reguleeritud;
  - b) veenduge, et kütusesegu oleks õige;
  - c) veenduge, et õhufilter oleks puhas.
3. Puhastage määratud süüteküünal. Veenduge, et elektroodide vahe on õige. (Joon. 58 )
4. Vajaduse korral asendage süüteküünal.

## Lahtivõetava varre määrimine

- Kandke määret veovõlli otsale iga 30 töötundi järel. (Joon. 59 )

## Õhufiltri hooldamine

### Õhufiltri puhastamine

1. Eemaldage õhufiltri kate ja õhufilter. (Joon. 60 )
2. Puhastage õhufilter sooja seebiveega. Enne tagasi paigaldamist veenduge, et õhufilter oleks kuiv.
3. Kui õhufilter on puhastamiseks liiga määratud, asendage see. Kahjustatud õhufilter tuleb alati välja vahetada.
4. Kui tootel on vahtplastist õhufilter, kandke sellele õhufiltri õli. Kandke õhufiltri õli ainult vahtplastist filtrile. Ärge kandke õli vildist filtrile.

## Õhufiltri õli kandmine õhufiltrile



**ETTEVAATUST:** Kasutage vahtplastist õhufiltritel alati spetsiaalset õhufiltri õli. Ärge kasutage teist tüüpi õlisid.



**HOIATUS:** Vältige õli sattumist nahale.

1. Eemaldage õhufiltri kate ja õhufilter. (Joon. 61 )
2. Asetage õhufilter kilekotti.

3. Asetage õhufiltri õli kilekotti. (Joon. 62 )
4. Vajutage kilekotti, et õli kanduks ühtlaselt kogu õhufiltrile.
5. Vajutage kotis olevat õhufiltrit, et eemaldada üleliigne õhufiltri õli. Võtke õhufilter kotist välja.
6. Paigaldage õhufilter.

## Nurkreduktori määrimine

Veenduge, et nurkreduktor oleks 3/4 ulatuses reduktorimäärdega täidetud.

(Joon. 63 )

## TEHNILISED ANDMED

	Ühik	129C (A05328CCHV)	129L (A05328CSHV)	129LK (A05328CSHV)
<b>Mootori andmed</b>				
Silindri maht	cm <sup>3</sup>	27,6	27,6	27,6
Elektroodi vahe	mm	0,5	0,5	0,5
Kütusepaagi maht	cm <sup>3</sup>	343	343	343
Tühikäigukiirus	min <sup>-1</sup>	2800–3200	2800–3200	2800–3200
Maksimumvõimsuse kiirus	min <sup>-1</sup>	8000	8000	8000
Võimsus	kW	0,85	0,85	0,85
Süüteküünael		Husqvarna HQT-4	Husqvarna HQT-4	Husqvarna HQT-4
Väljuva võlli maksimumpöörded	min <sup>-1</sup>	8500	7200	7200
<b>Müra- ja vibratsioonandmed</b>				
Samaväärne vibratsioonitase (ahv, eq) vasak käepide – vt märkust 1	m/s <sup>2</sup>	3,64	9,9	9,9
Samaväärne vibratsioonitase (ahv, eq) parem käepide – vt märkust 1	m/s <sup>2</sup>	3,59	8,9	8,9
Helitugevuse tase, garanteeritud (L <sub>WA</sub> ) – vt märkust 2	dB (A)	114	114	114
Helitugevuse tase, mõõdetud – vt märkust 2	dB (A)	106	105	106
Helitugevuse tase operaatori kõrvade juures – vt märkust 3	dB (A)	93	95	95
<b>Toote mõõtmised</b>				
Kaal (v.a lõikeosa)	kg	4,61	5,21	5,98

**1. märkus:** Ekvivalentse vibratsioonitaseme kohta toodud andmete tüüpiline statistiline dispersioon (standardhälve) on  $1 \text{ m/s}^2$ .

**2. märkus:** Müraremissioon ümbritsevasse keskkonda, mõõdetud helivõimsuse tasemena ( $L_{WA}$ ) vastavalt EÜ direktiivile 2000/14/EÜ. Seadme antud müratase mõõdeti enim müra tekitava originaalsaagimisseadme kasutamisel. Erinevus garanteeritud ja mõõdetud helivõimsustaseme vahel seisneb selles, et direktiivi 2000/14/EÜ alusel hõlmab garanteeritud helivõimsustase ka mõõtmistulemuste dispersiooni ja kõrvalekaldeid sama mudeli erinevate seadmete vahel.

**3. märkus.** Antud andmetel seadme helitugevuse taseme ekvivalendi kohta on statistiline tüüplevi  $1 \text{ dB(A)}$  (standardne kõrvalekalle).

## ACCESSORIES (Lisavarustus)

129C		
Heakskidatud lisavarustus	Tüüp	Lõikepea kaitse
Keermevars (3/8 R)		
Trimmeripea	T25 (Ø 2,0–2,4 mm)	580 44 66-10
129L, 129LK		
Heakskidatud lisavarustus	Tüüp	Lõikepea kaitse
Keermevars (M10L)		
Trimmeripea	T25 (Ø 2,0–2,4 mm)	580 44 66-06

Valikulised tarvikud	Tüüp	Järgmistele mudelitele
Pühkimisseade (koos varrega)	SR600	129LK
Hekilõikurseade (koos varrega)	HA850	129LK
Äärrimmerikomplekt (koos varrega)	EA850	129LK
Saeseade (koos varrega)	PA1100	129LK
Kultivaatori lisaseade (koos varrega)	CA150	129LK
Murutrimmeriseade (koos varrega)	TA850	129LK
Saeseade (koos varrega)	PAX1100	129LK
Saeseade (koos varrega)	PAX730	129LK

## EL-I VASTAVUSDEKLARATSIOONI SISU

Meie, Husqvarna AB, SE 561 82 Huskvarna, ROOTSI, deklareerime ainuvastutusel, et kirjeldatud toode:

Kirjeldus	Bensini mootoriga muru-trimmer/võsalõikur
Kaubamärk	Husqvarna

<b>Kirjeldus</b>	<b>Bensiinimootoriga muru-trimmer/võsalõikur</b>
Platvorm/tüüp/mudel	Platvorm A05328CCHV, mille alla kuulub mudel 129C  Platvorm A05328CSHV, mille alla kuuluvad mudelid 129L ja 129LK
Partii	Seerianumber alates 2013. aastast

vastab täielikult järgmistele EÜ direktiividele ja eeskirjadele:

<b>Direktiiv/eeskiri</b>	<b>Kirjeldus</b>
2006/42/EÜ	„masinadirektiiv“
2014/30/EL	„elektromagnetilise ühilduvuse direktiiv“
2000/14/EÜ	„välitingimustes kasutatavate seadmete müra direktiiv“

Kohalduvad järgmised ühtlustatud standardid ja/või tehnilised spetsifikatsioonid: EN ISO 12100, EN ISO 11806-1, CISPR 12, ISO 14982

Vastavalt direktiivi 2000/14/EÜ lisale V on deklareeritud helitaseme väärtused toodud tehniliste andmete jaotises ja allkirjastatud EÜ vastavusdeklaratsioonis.

TÜV Rheinland N.A. on teostanud Husqvarna AB tellimusel vabatahtliku ekspertiisi ja väljastanud vastavussertifikaadi vastavalt EÜ Nõukogu masinadirektiivile 2006/42/EÜ.

Allkirjastatud EÜ vastavusdeklaratsioonil toodud sertifikaat kehtib kõikidele tootel viidatud tootmiskohtadele ja päritoluriikidele.

Tarnitud bensiinimootoriga murutrimmer/võsalõikur vastab näidisele, mis läbis ekspertiisi.

---

# TURINYS

---

ĮVADAS.....	215	TECHNINIAI DUOMENYS.....	222
SAUGA.....	216	PRIEDAI.....	223
SURINKIMAS.....	218	EB ATITIKTIES DEKLARACIJOS TURINYS.....	223
NAUDOJIMAS.....	219	.....	0
PRIEŽIŪRA.....	221		

---

## ĮVADAS

---

### Naudojimo instrukcija

Pirminė šios naudojimo instrukcijos kalba yra anglų. Naudojimo instrukcijos kitomis kalbomis yra verstos iš anglų kalbos.

### Apžvalga

(Pav. 1 )

1. Žoliapjovės galvutė
2. Tepalo filtro dangtelis
3. Kampinė pavara
4. Pjovimo įtaiso apsauga
5. Velenas
6. Veleno mova
7. Kilpinė rankena
8. Akceleratoriaus gaidukas
9. Stabdymo jungiklis
10. Akceleratoriaus gaiduko fiksatorius
11. Uždegimo žvakės antgalis, uždegimo žvakė
12. Starterio korpusas
13. Starterio virvės rankena
14. Kuro bakelis
15. Oro filtro dangtelis
16. Kuro siurbliukas
17. Oro sklendė
18. Varantysis diskas
19. Naudojimo instrukcija

### Simboliai ant gaminio

(Pav. 2 ) Įspėjimas

(Pav. 3 ) Perskaitykite šį vadovą

(Pav. 4 ) Naudokite patvirtintą galvos apsaugą.

(Pav. 5 ) Naudokite patvirtintas apsaugines ausines.

Naudokite patvirtintas akių apsaugos priemones.

(Pav. 6 ) Naudokite patvirtintas apsaugines pirštines.

(Pav. 7 ) Naudokite apsauginius batus.

Iš gaminio gali išskrieti pašaliniai objektai, kurie gali pažeisti akis.

(Pav. 9 )

Iš gaminio gali išskrieti pašaliniai objektai, kurie gali pažeisti akis.

(Pav. 10 )

(Pav. 11 ) Maks. galios atidavimo veleno greitis

(Pav. 12 ) Saugus atstumas

Naudokite tik patvirtintą žoliapjovės lynelį. Disko nenaudokite.

(Pav. 13 )

(Pav. 14 ) Nenaudokite metalinio pjovimo įtaiso.

(Pav. 15 ) Ilgus plaukus pakelkite aukščiau pečių.

(Pav. 16 ) Rodyklės vaizduoja rankenos padėties ribas.

(Pav. 17 ) Triukšmingumas.

(Pav. 18 ) Triukšmo lygis

(Pav. 19 ) Šis gaminys atitinka taikomas EB direktyvas.

Šis gaminys atitinka taikomas EAC direktyvas.

(Pav. 20 )

Šis gaminys atitinka taikomas Ukrainos direktyvas.

(Pav. 21 )

---

**Pasižymėkite:** Kiti ant gaminio pateikti simboliai (lipdukai), skirti kitų komercinių teritorijų sertifikavimo reikalavimams.

---

### Gaminio patikimumas

Kaip nurodyta atsakomybės už gaminį įstatymuose, mes nesame atsakingi už mūsų gaminio sukeltą žalą, jei:

- gaminys netinkamai suremontuotas.
- gaminys suremontuotas naudojant kito gamintojo arba gamintojo nepatvirtintas dalis.

- gaminys turi kito gamintojo arba gamintojo nepatvirtintą priedą.

- gaminys suremontuotas ne patvirtintame techninės priežiūros centre arba jį suremontavo ne patvirtintas atstovas.

---

## SAUGA

---

### Saugos ženklų reikšmės

Toliau apibrėžiamas signalinių žodžių žymimas pavojus.



**PERSPĖJIMAS:** Gali susižeisti asmenys.



**PASTABA:** Galima sugadinti gaminį.

**Pasižymėkite:** Ši informacija padeda gaminį naudoti saugiau.

### Bendrieji saugos nurodymai

- Naudokite gaminį tinkamai. Netinkamai naudojant galima rimtai arba mirtinai susižeisti. Produktą naudokite tik šiose instrukcijose nurodytiems darbams. Nenaudokite gaminio kitiems darbams.
- Paisykite šiose instrukcijose pateiktų nurodymų. Paisykite saugos simbolių ir saugos nurodymų. Naudotojui nepaisant instrukcijų ir simbolių, galima sugadinti įrangą arba susižeisti ar mirtinai susižeisti.
- Neišmeskite šių instrukcijų. Vadovaukitės šiomis instrukcijomis surinkdami ir naudodami šį gaminį bei atlikdami jo techninę priežiūrą. Vadovaukitės šiomis instrukcijomis, kad tinkamai prijungtumėte priedus. Naudokite tik patvirtintus priedus.
- Sugadinto gaminio nenaudokite. Paisykite techninės priežiūros grafiko. Atlikite tik šiose instrukcijose aprašytus priežiūros darbus. Visus kitus techninės priežiūros darbus turi atlikti patvirtintas techninės priežiūros centras.
- Šiose instrukcijose negali būti numatytos visos situacijos, su kuriomis galite susidurti naudodami gaminį. Būkite atsargūs ir apdairūs. Gaminio nenaudokite ir nevykdysite jo priežiūros darbų, jei nesate tikri dėl jo būklės. Jei reikia informacijos, kreipkitės į gaminio ekspertą, pardavimo atstovą, techninės priežiūros atstovą arba patvirtintą techninės priežiūros centrą.
- Prieš surinkdami gaminį, ruošdami jį saugoti arba atlikdami priežiūros darbus, atjunkite uždegimo žvakės kabelį.
- Nenaudokite gaminio, jei pasikeitė jo pradiniai techniniai duomenys. Nekeiskite gaminio dalių, neturinčių gamintojo patvirtinimo. Naudokite tik gamintojo patvirtintas dalis. Netinkamai prižiūrint gaminį galima susižeisti arba žūti.

- Neįkvėpkite variklio skleidžiamų dujų. Ilgalais kvėpavimas variklio išmetamosiomis dujomis pavojingas gyvybei.
- Neužveskite gaminio patalpoje arba greta degių medžiagų. Išmetamosios dujos yra karštos, jose gali būti kibirkščių, kurios gali sukelti gaisrą. Dėl oro stygiaus galima susižaloti arba žūti uždusęs arba apsinuodijęs anglies monoksidu.
- Naudojant šį gaminį, variklis sukuria elektromagnetinį lauką. Elektromagnetinis laukas gali sugadinti medicininius implantus. Prieš pradėdami naudoti šį gaminį, pasitarkite su savo gydytoju ir medicininio implanto gamintoju.
- Neleiskite gaminio naudoti vaikams. Neleiskite gaminio naudoti su instrukcijomis nesusipažinusiems asmenims.
- Visada prižiūrėkite gaminį naudojančių fizinę arba protinę negalią turintį asmenį. Būtina nuolatinė atsakingo suaugusiojo priežiūra.
- Užrakininkite gaminį vaikams ir nepatvirtintiems asmenims nepasiekiamoje vietoje.
- Iš gaminio gali išskrieti ir sužaloti pašaliniai objektai. Paisykite saugos nurodymų, kad sumažėtų sužeidimų arba žūties pavojus.
- Nepalikite gaminio be priežiūros, kai užvestas variklis.
- Dėl nelaimingo įvykio yra atsakingas gaminio naudotojas.
- Prieš naudodami gaminį įsitikinkite, kad jo dalys nepažeistos.
- Prieš naudodami gaminį, įsitikinkite, kad aplink jus mažesniu nei 15 m (50 pėdų) spinduliu nėra pašalinių žmonių arba gyvūnų. Įsitikinkite, kad šalia esantis žmogus žino, kad naudojate gaminį.
- Atsižvelkite į nacionalinius arba vietos įstatymus. Jie gali drausti arba riboti gaminio naudojimą konkrečiomis sąlygomis.
- Neekspluatuokite gaminio, jeigu esate pavargę, vartojate alkoholio, narkotikų ar vaistų. Tai gali paveikti jūsų regėjimą, budrumą, koordinaciją ir nuovokumą.

### Naudojimo saugos instrukcijos

- Prieš naudodami gaminį įsitikinkite, kad produktas visiškai surinktas.
- Prieš pradėdami pastumkite gaminį per 3 m (10 pėdas) nuo vietos, kurioje užpildėte kuro bakelį. Padėkite gaminį ant lygaus paviršiaus. Patikrinkite, ar pjovimo įtaisas neličia žemės ar kokio kito daikto.
- Iš gaminio gali išskrieti pašaliniai objektai, kurie gali pažeisti akis. Dirbdami gaminiumi visada naudokite akių apsaugos priemones.



- Būkite apdairūs – darbo metu be jūsų žinios apie gaminio gali prisitarti vaikai.
- Jei darbo zonoje yra pašalinių asmenų, gaminio nenaudokite. Į darbo zoną įžengus pašaliniams asmeniui, išjunkite gaminį.
- Pasirūpinkite, kad niekada neprarastumėte gaminio kontrolės.
- Nenaudokite gaminio, jei nelaimės atveju negalėtumėte sulaukti pagalbos. Prieš pradėdami naudoti įrenginį visada pasirūpinkite, kad aplinkiniai žinotų, jog ketinate naudoti įrenginį.
- Nesisukite su gaminiu prieš tai neįsitikinę, kad saugioje zonoje nėra pašalinių asmenų arba gyvūnų.
- Prieš pradėdami pašalinkite iš darbo zonos visus pašalinius objektus. Pjovimo įtaisui užkliudžius pašalinį objektą, objektas gali išskrieti ir sužaloti arba sugadinti įrangą. Pašalinės medžiagos gali apsvyti aplink pjovimo įtaisą ir sugadinti gaminį.
- Nenaudokite gaminio prastu oru (per rūką, lietu, esant stipriam vėjui, žaibo tikimybei ar kitoms nepalankioms oro sąlygoms). Dėl prasto vėjo gali susidaryti pavojingos sąlygos (pvz., slidūs paviršiai).
- Įsitikinkite, kad galite judėti laisvai ir dirbti stabilioje padėtyje.

(Pav. 22 )

- Įsitikinkite, kad naudodami įrenginį nenugriūsite. Naudodami gaminį nepasvirkite.
- Gaminį visada laikykite abiem rankomis. Gaminį laikykite dešinėje kūno pusėje.

(Pav. 23 )

- Gaminį naudokite nuleidę pjovimo įtaisą žemiau liemens.
- Jei užvedant variklį oro sklendės rankenėlė yra uždarytos oro sklendės padėtyje, pjovimo įtaisas pradeda sukstis.
- Varikliui išsijungus nelieskite kampinės pavaros. Varikliui išsijungus kampinė pavara būna įkaitusi. Įkaitę paviršiai gali sužaloti.
- Prieš perkeldami gaminį išjunkite variklį.
- Nepadėkite gaminio, kai užvestas variklis.
- Prieš pašalindami nuo gaminio nepageidaujamas medžiagas išjunkite variklį ir palaukite, kol pjovimo įtaisas sustos. Jei jūs ar pagalbininkas ketina pašalinti nupjautą medžiagą, palaukite, kol pjovimo įtaisas sustos.

## Asmeninės apsauginės priemonės

- Dirbdami gaminiu visada naudokite tinkamas asmenines apsaugines priemones. Asmeninės apsauginės priemonės nepašalina sužeidimų pavojaus. Asmeninės apsauginės priemonės sumažina sužalojimų laipsnį nelaimės atveju.
- Dirbdami gaminiu visada naudokite akių apsaugos priemones.
- Nenaudokite gaminio basomis kojomis arba atvira avalyne. Visada avėkite patvarius, neslystančius batus.
- Dėvėkite storas, ilgas kelnes.

- Jei būtina, naudokite patvirtintas apsaugines pirštines.
- Jei yra tikimybė, kad jums ant galvos gali nukristi sunkus objektas, naudokite šalmą.
- Dirbdami gaminiu visada naudokite apsaugines ausines. Ilgalais triukšmas gali pakenkti klausai.
- Šalia visada turėkite pirmosios pagalbos rinkinį.

## Gaminio apsauginės priemonės

- Nepamirškite reguliariai atlikti gaminio priežiūros darbų.
  - Gaminio tarnavimo trukmė padidėja.
  - Nelaimių pavojus sumažėja.
- Reguliariai perduokite gaminį patvirtintam pardavimui atstovui arba techninės priežiūros centrui, kuriame jis bus apžiūrėtas ir pakoreguotas arba suremontuotas.
- Nenaudokite gaminio, jei jo apsauginės priemonės pažeistos. Jei gaminys pažeistas, kreipkitės į patvirtintą techninės priežiūros centrą.

## Akceleratoriaus gaiduko fiksatorius

Akceleratoriaus gaiduko fiksatorius užfiksuoja akceleratoriaus gaiduką.

(Pav. 24 )

Nuspauskite akceleratoriaus gaiduko fiksatorių (A), kad atleistumėte akceleratoriaus gaiduką (B). Kai atleidžiame rankeną, akceleratoriaus gaiduko fiksatorius ir akceleratoriaus gaidukas sugrįžta į savo pradinę padėtį.

1. Įsitikinkite, kad atleidus akceleratoriaus gaiduko fiksatorių (A), akceleratoriaus gaidukas (B) užfiksuojaamas tuščiosios eigos padėtyje.
2. Paspauskite akceleratoriaus gaiduko fiksatorių (A) ir patikrinkite, ar atleidus jis grįžta į savo pradinę padėtį.
3. Paspauskite akceleratoriaus gaiduką (B) ir patikrinkite, ar atleidus jis grįžta į savo pradinę padėtį.

Užveskite variklį ir iki galo nuspauskite akceleratoriaus gaiduką. Atleiskite akceleratoriaus gaiduką ir patikrinkite, ar pjovimo įtaisas sustoja. Jei pjovimo įtaisas sukasi, kai akceleratorius yra tuščiosios eigos padėtyje, patikrinkite karbiuratoriaus tuščiosios eigos reguliavimo varžtą.

## Stabdymo jungiklis

Įjunkite variklį. Įsitikinkite, kad variklis sustoja, kai perjungiate stabdymo jungiklį į išjungimo padėtį.

(Pav. 25 )

## Pjovimo įtaiso apsauga

Pjovimo įtaiso apsauga saugo, kad gaminio naudotojo kryptimi neiškriėtų palaidi objektai.

(Pav. 26 )

Apžiūrėkite, ar pjovimo įtaiso apsauga nepažeista, ir esant reikalui ją pakeiskite. Naudokite tik patvirtintą pjovimo įtaiso apsaugą.

## Duslintuvas

- Nenaudokite variklio su pažeistu duslintuvu. Pažeistas duslintuvas skleidžia daugiau triukšmo ir kelia didesnę gaisro pavojų. Visada šalia turėkite gesintuvą.
- Reguliariai apžiūrėkite, ar duslintuvas pritvirtintas prie gaminio.
- Kai variklis užvestas neliaskite variklio arba duslintuvo. Išjungę variklį kurį laiką neliaskite variklio arba duslintuvo. Įkaitę paviršiai gali sužaloti.
- Karštas duslintuvas gali sukelti gaisrą. Būkite atsargūs naudodami gaminį greta degių skysčių arba dujų.
- Neliaskite pažeisto duslintuvo dalių. Dalyse gali būti kancerogeninių medžiagų.

## Pjovimo įtaisas

- Reguliariai prižiūrėkite. Reguliariai perduokite pjovimo įtaisą patvirtintam techninės priežiūros centrui, kuriame jis bus apžiūretas ir sureguliuotas arba suremontuotas.
  - Pjovimo įtaiso našumas padidėja.
  - Pjovimo įtaiso tarnavimo trukmė padidėja.
  - Nelaimių pavojus sumažėja.
- Naudokite tik patvirtintą pjovimo įtaiso apsaugą. Jeigu reikia daugiau informacijos žr. *TECHNINIAI DUOMENYS psl. 222*.
- Sugadinto pjovimo įtaiso nenaudokite.

## Žoliapjovės galvutė

- Standžiai ir lygiai apvyniokite žoliapjovės lynelį aplink būgną, kad sumažėtų vibracija.
- Naudokite tik patvirtintą žoliapjovių galvutes ir žoliapjovių lynelius. Žr. *TECHNINIAI DUOMENYS psl. 222*.
- Naudokite tik tinkamo ilgio žoliapjovių lynelius. Ilgam žoliapjovės lyneliui reikia daugiau variklio galios nei trumpam žoliapjovės lyneliui.
- Patikrinkite, ar nepažeistas pjovimo įtaiso apsaugos peilis.
- Prieš tvirtindami žoliapjovės lynelį prie gaminio, žoliapjovės lynelį 2 dienas pamirkykite vandenyje. Tai padidina žoliapjovės lynelio tarnavimo trukmę.

## Saugumo reikalavimai kurui

- Neužveskite gaminio, jei ant gaminio yra kuro arba variklio alyvos. Nuvalykite nepageidaujamą kurą / alyvą ir palaukite, kol gaminys išdžius. Nuvalykite nuo gaminio nepageidaujamą kurą.

- Apsipylę drabužius kuru nedelsiant persirenkite.
- Neapsipilkite kūno kuru, nes jis gali sužaloti. Apsipylę kūną kuru, jį nusiplaukite muilu ir vandeniu.
- Neužveskite variklio, jei apliejote gaminį arba kūną alyva arba kuru.
- Neužveskite gaminio, jei iš variklio sunkiasi skysčiai. Reguliariai tikrinkite, ar iš variklio nesisunkia skysčiai.
- Atsargiai elkitės su kuru. Kuras yra degus, o jo garai – sprogūs, todėl neatsargiai elgiantis galima susižaloti arba žūti.
- Neįkvėpkite kuro garų, nes jie gali sužaloti. Pasirūpinkite tinkamu vėdinimu.
- Nerūkykite greta kuro arba variklio.
- Nedėkite šiltų objektų greta kuro arba variklio.
- Nepilkite kuro, kai variklis užvestas.
- Prieš pildami kurą įsitinkite, ar variklis ataušęs.
- Prieš pildami kurą lėtai atidarykite kuro bakelio dangtelį ir atsargiai išleiskite slėgį.
- Nepilkite į variklį kuro būdami patalpoje. Dėl oro stygiaus galima susižaloti arba žūti uždusęs arba apsinuodijus anglies monoksidu.
- Kruopščiai priveržkite kuro bakelio dangtelį, nes antraip gali kilti gaisras.
- Prieš pradėdami darbą patraukite gaminį mažiausiai 3 m (10 pėdų) nuo vietos, kurioje pylėte kurą.
- Nepripilkite į kuro bakelį pernelyg daug kuro.
- Pasirūpinkite, kad perkeliant gaminį arba kuro bakelį iš jo neišsilietų kuras.
- Nestatykite gaminio arba kuro bakelio greta atviros liepsnos, kibirkščių arba degiklio. Įsitinkite, kad laikymo patalpoje nėra atviros liepsnos.
- Kurą gabenkite ir laikykite tik patvirtintuose bakeliuose.
- Prieš palikdami gaminį saugoti ilgesniam laikui, ištuštinkite kuro bakelį. Kurą utiizuokite atsižvelgdami į vietinius įstatymus.
- Nuvalykite gaminį prieš palikdami jį saugoti ilgesniam laikui.
- Prieš palikdami gaminį saugoti ilgesnį laiką atjunkite uždegimo žvakės kabelį, kad variklis netikėtai neužsivestų.

## Priežiūros saugos instrukcijos

- Jeigu negalite koreguoti greičio tuščiaja eiga, kad pjovimo įtaisas sustotų, kreipkitės į techninės priežiūros centrą. Nenaudokite įrenginio, kol jis nėra tinkamai sureguliuotas arba suremontuotas.

---

## SURINKIMAS

---



**PERSPĖJIMAS:** Prieš surinkdami gaminį perskaitykite skyrių apie saugą.

## Kilpinės rankenos tvirtinimas

1. Pritvirtinkite kilpinę rankeną prie veleno, kaip parodyta iliustracijoje, ir priveržkite.(Pav. 27 )

2. Kilpinę rankeną būtinai pritvirtinkite tarp rodyklių, pažymėtų ant veleno.

## Dviejų dalių veleno surinkimas

1. Pasukite rankenėlę, kad atlaisvintumėte veleno movą.(Pav. 28 )
2. Sulygiuokite veleno ašelę (A) su strėle ant veleno movos (B).(Pav. 29 )
3. Stumkite veleną į veleno movą, kol velenas užsifiksuos.(Pav. 30 )
4. Prieš naudodami gaminį būtinai užveržkite rankenėlę.(Pav. 31 )

## Dviejų dalių veleno išrinkimas

1. Pasukite rankenėlę, kad atlaisvintumėte veleno movą.(Pav. 32 )
2. Paspauskite ir laikykite nuspaudę mygtuką (C).(Pav. 33 ) Laikydami variklio galą ištraukite veleną iš veleno movos.

## Pjovimo įtaiso surinkimas

### Pjovimo įtaiso apsaugos ir žoliapjovės galvutės (tiesaus veleno) tvirtinimas

1. Pritvirtinkite pjovimo įtaiso apsaugą (A) prie veleno naudodami varžtą (L).(Pav. 34 ) Būtinai naudokite

tinkamą pjovimo įtaiso apsaugą ir tinkamą žoliapjovės galvutę.

2. Pritvirtinkite varantįjį diską (B) prie galios atidavimo veleno.
3. Sukite darbinį veleną, kol varančiojo disko anga susilygiuos su pavaru dėžės anga.
4. Įstatykite į angą mažą atsuktuvą (C), kad užfiksuotumėte veleną.(Pav. 35 )
5. Pasukite žoliapjovės galvutę (H) prieš laikrodžio rodyklę, kad priveržtumėte žoliapjovės galvutę prie pavaru dėžės. (Kairinis sriegis.)(Pav. 36 )

### Pjovimo įtaiso apsaugos ir žoliapjovės galvutės (lenkto veleno) tvirtinimas

1. Prijunkite apsaugą.(Pav. 37 ) Priveržkite veržlę.
2. Prijunkite dulkių surinkėją prie šios ašies.(Pav. 38 )
3. Prilaukiykite dulkių rinktuvą reguliuojamu veržliarakčiu, kad velenas nesisuktų.
4. Pritvirtinkite žoliapjovės galvutę prie veleno. Pasukite žoliapjovės galvutę pagal laikrodžio rodyklę.

## NAUDOJIMAS



**PERSPĖJIMAS:** Prieš naudodami gaminį perskaitykite ir supraskite skyrių apie saugą.

## Degalai

### Kuro naudojimas



**PASTABA:** Gaminys turi dviejų ciklų variklį. Naudokite benzino ir dviejų ciklų varikliui skirtos variklio alyvos mišinį. Būtinai naudokite tinkamo alyvos kiekio mišinį. Netinkamas benzino ir alyvos santykis gali sugadinti variklį.

### Benzinas



**PASTABA:** Nenaudokite benzino, kurio oktaninis skaičius yra mažesnis nei 90 RON (87 AKI). Antraip galima sugadinti gaminį.



**PASTABA:** Nenaudokite benzino, kurio etanolio koncentracija didesnė kaip 10 % (E10). Antraip galima sugadinti gaminį.

- Visada naudokite šviežią bešvinį benzina, kurio minimalus oktaninis skaičius yra 90 RON (87 AKI), o etanolio koncentracija 10 % (E10).
- Jei gaminį dažnai naudojate esant nuolatinėms didelėms variklio apsukoms, naudokite didesnio oktaninio skaičiaus benzina.

### Dviejų ciklų variklio alyva

- Naudokite tik aukštos kokybės dviejų ciklų variklio alyvą. Naudokite tik oru aušinamiems varikliams skirtą alyvą.
- Nenaudokite kitų rūšių alyvos.
- Mišinio santykis 50:1 (2 %)

Benzinas	Alyva
1 galonas (JAV)	77 ml (2,6 unc.)
1 galonas (JK)	95 ml (3,2 unc.)
5 l	100 ml (3,4 unc.)

### Kuro mišinio maišymas

**Pasižymėkite:** Maišydami kurą visada naudokite tik švarų kuro bakelį.

**Pasižymėkite:** Nemaišykite kuro mišinio kiekio ilgesniam kaip 30 dienų laikotarpiui.

1. Įpilkite pusę benzino kiekio.
2. Supilkite visą alyvos kiekį.
3. Suplakite kuro mišinį, kad komponentai susimaišytų.
4. Supilkite likusį benzino kiekį.
5. Suplakite kuro mišinį, kad komponentai susimaišytų.
6. Užpildykite kuro bakelį.

## Kuro įpylimas

- Naudokite degalų bakelį su apsauga nuo perpilimo.
- Jei bakelyje yra kuro, pašalinkite nepageidaujamą kurą ir palaukite, kol bakelis išdžius.
- Įsitinkinkite, kad plotas aplink kuro bakelio dangtelį yra švarus.
- Prieš pildami kuro mišinį į kuro bakelį papurtykite kuro bakelį.

## Užvedimas ir išjungimas

### Prieš paleidžiant variklį

- Apžiūrėkite, ar gaminiiui netrūksta dalių, ar jis neturi pažeistų, nepritvirtintų arba susidėvėjusių dalių.
- Apžiūrėkite veržles ir varžtus.
- Apžiūrėkite oro filtrą.
- Apžiūrėkite akceleratoriaus gaiduko fiksatorių ir patikrinkite, ar akceleratoriaus gaidukas tinkamai veikia.
- Patikrinkite, ar tinkamai veikia išjungimo jungiklis.
- Patikrinkite, ar neprateka degalai.
- Patikrinkite pjūklo grandinės aštrumą ir įtempimą.

### Šalto variklio užvedimas

1. Nuspauskite kuro siurbliuką 10 kartų.(Pav. 39 )
2. Pakelkite oro sklendės rankenėlę aukštin.(Pav. 40 )
3. Laikykite gaminio korpusą ant žemės kairiąją ranka.(Pav. 41 ) Gaminio nepriminkite koja Lėtai traukite starterio virvę, kol pajusite pasipriešinimą. Tada patraukite starterio virvę visa jėga.

**Pasižymėkite:** Užvesdami variklį nespauskite akceleratoriaus gaiduko.

4. Traukite starterio virvės rankenėlę, kol variklis užsiveda arba bando užsivesti (daugiausia 3 kartus). Varikliui užsivedus arba bandant užsivesti, nuspauskite oro sklendės rankenėlę žemyn. Traukite, kol variklis užsives. Užvedę variklį palaukite 60 sekundžių prieš nuspausdami akceleratoriaus gaiduką.



**PASTABA:** Netraukite starterio virvės iki pat galo. Nepaleiskite starterio virvės, kai ji visiškai ištraukta. Lėtai atleiskite

starterio virvę. Nepaisydami šių nurodymų galite sugadinti variklį.

## Šilto variklio užvedimas

1. Nuspauskite kuro siurbliuką 10 kartų.
2. Traukykite starterio virvę, kol variklis užsives.

## Išjungimas

- Norėdami išjungti variklį, nuspauskite stabdymo mygtuką.(Pav. 42 )

**Pasižymėkite:** Stabdymo jungiklis automatiškai grįžta į pradinę padėtį.

## Žoliapjovės naudojimas



**PASTABA:** Po kiekvieno panaudojimo sulėtinkite variklio apsakas iki tuščiosios eigos. Ilgalais variklio darbas didžiausiomis apsakomis be apkrovos gali sugadinti variklį.

**Pasižymėkite:** Vyniodami naują žoliapjovės lynelį nuvalykite žoliapjovės galvutės gaubtą, kad nesusidarytų vibracijos. Apžiūrėkite kitas žoliapjovės galvutės dalis ir esant reikalui jas nuvalykite.

## Žolės trumpinimas

1. Kampu pasuktą žoliapjovės galvutę laikykite prie pat žemės.(Pav. 43 ) Nespauskite žoliapjovės lynelio prie žolės.
2. Kad nepakenktumėte augalams, sutrumpinkite žoliapjovės lynelį iki 10–12 cm (4–4,75 col.) ir sumažinkite variklio apsakus.
3. Pjaudami žolę greta kitų objektų, naudokite 80 % variklio galios.(Pav. 44 )

## Žolės pjovimas

1. Pjaudami stenkitės žoliapjovės lynelį laikyti lygiagrečiai žemei.(Pav. 45 )
2. Nespauskite žoliapjovės galvutės prie žemės. Taip galima pažeisti žemę ir gaminį.
3. Neleiskite galvutei nuolat liestis prie žemės, nes taip galima pažeisti žoliapjovės galvutę.
4. Pjaudami žolę mojuodami gaminiiu iš vieno šono į kitą, naudokite didžiausias variklio apsakas.(Pav. 46 ) Stenkitės žoliapjovės lynelį laikyti lygiagrečiai žemei.

## Žoliapjovės lynelio keitimas

(Pav. 47 )  
(Pav. 48 )  
(Pav. 49 )  
(Pav. 50 )  
(Pav. 51 )  
(Pav. 52 )  
(Pav. 53 )

## PRIEŽIŪRA



**PERSPĖJIMAS:** Prieš valydami, taisydami arba prižiūrėdami gaminį perskaitykite ir supraskite saugos skyrių.

### Priežiūros grafikas

Būtinai vadovaukitės priežiūros grafiku. Priežiūros intervalai apskaičiuojami pagal kasdienį gaminio naudojimą. Intervalai skiriasi, jei gaminio nenaudojate kasdien. Atlikite tik šiame vadove nurodytus priežiūros darbus. Dėl kitų, šiame vadove neminimų priežiūros darbų kreipkitės į patvirtintą techninės priežiūros centrą.

#### Savaitinė techninė priežiūra

- Nuvalykite išorinius paviršius.
- Patikrinkite greitį tuščiaja eiga.
- Patikrinkite kampinės pavaros tepalą (tiesus velenas).

#### Mėnesinė techninė priežiūra

- Patikrinkite starterio virvės rankenėlę ir starterio virvę.

#### Kasmetinė techninė priežiūra

- Patikrinkite uždegimo žvakę.
- Sutepkite varančiojo veleno galą (dviejų dalių velenas).
- Nuvalykite išorinius karbiuratoriaus ir gretimus paviršius.
- Išvalykite aušinimo sistemą.
- Patikrinkite kibirkščių sulaikymo tinklėlį.
- Patikrinkite kuro filtrą.
- Patikrinkite, ar nepažeista kuro žarnelė.
- Patikrinkite visus laidus ir jungtis.

#### Kas 50 val. atliekama priežiūra

- Patvirtintame techninės priežiūros centre suremontuokite arba pakeiskite duslintuvą.

### Greičio tuščiaja eiga reguliavimas

- Prieš reguliuodami greitį tuščiaja eiga įsitikinkite, kad oro filtras švarus, o oro filtro dangtelis pritvirtintas.
- Reguluokite greitį tuščiaja eiga greičio tuščiaja eiga reguliavimo varžtu T, kurį nurodo žymė „T“.
- Greitis tuščiaja eiga yra tinkamas, kai variklis tolygiai veikia visose padėtyse. Greitis tuščiaja eiga turi būti mažesnis nei greitis, kuriam esant pradeda sukintis pjovimo įtaisas.

1. Laisvosios eigos varžtą sukite pagal laikrodžio rodyklę, kol pjovimo įtaisas pradės sukintis. (Pav. 55 )
2. Laisvosios eigos varžtą sukite prieš laikrodžio rodyklę, kol pjovimo įtaisas sustos.

### Kibirkščių sulaikymo tinklelio priežiūra

Valykite kibirkščių sulaikymo tinklėlį vieliniu šepetčiu. (Pav. 56 )

### Aušinimo sistemos valymas

Nuvalykite aušinimo sistemos dalis šepetčiu. (Pav. 57 )

### Uždegimo žvakės tikrinimas



**PASTABA:** Naudokite rekomenduojamą uždegimo žvakę. Įsitikinkite, kad keičiama dalis yra tokia pat, kaip gamintojo naudojama dalis. Netinkama uždegimo žvakė gali sugadinti gaminį.

1. Patikrinkite uždegimo žvakę, kai:
  - a) sumažėja variklio galia.
  - b) variklį sunku užvesti.
  - c) variklis netinkamai veikia tuščiaja eiga.
2. Jei variklį sunku užvesti arba jis veikia nesklandžiai, patikrinkite, ar ant uždegimo žvakės nėra pašalinių medžiagų. Norėdami sumažinti pašalinių medžiagų atsiradimą ant uždegimo žvakės elektrodų:
  - a) įsitikinkite, kad tinkamai sureguliuotas greitis tuščiaja eiga.
  - b) įsitikinkite, kad naudojate tinkamą kuro mišinį.
  - c) patikrinkite, ar oro filtras yra švarus.
3. Jei uždegimo žvakė nešvari, nuvalykite ją. Patikrinkite, ar tarpas tarp elektrodų yra tinkamas. (Pav. 58 )
4. Esant reikalui pakeiskite uždegimo žvakę.

### Dviejų dalių veleno sutepimas

- Sutepkite varančiojo veleno galą kas 30 darbo valandų. (Pav. 59 )

### Oro filtro priežiūra

#### Kaip išvalyti oro filtrą

1. Nuimkite oro filtro dangtelį ir išimkite oro filtrą. (Pav. 60 )
2. Išplaukite oro filtrą šiltame muiluotame vandenyje. Prieš sumontuodami oro filtrą, palaukite, kol jis išdžius.
3. Pakeiskite oro filtrą, jei jis toks purvinas, kad jo nebeįmanoma išplauti. Visada pakeiskite pažeistą oro filtrą.
4. Jei gaminyje naudojamas poroloninis oro filtras, naudokite oro filtrų alyvą. Oro filtrų alyvą naudokite

tik porolono filtrui. Nenaudokite alyvos veltiniam oro filtrui.

## Oro filtrų alyvos naudojimas oro filtrui



**PASTABA:** Poroloniniams oro filtrams visada naudokite specialią oro filtrų alyvą. Nenaudokite kitų rūšių alyvos.



**PERSPĖJIMAS:** Neapsiliekitė alyva kūno.

1. Nuimkite oro filtro dangtelį ir išimkite oro filtrą. (Pav. 61)

2. Įdėkite oro filtrą į plastikinį maišelį.
3. Įpilkite į maišelį oro filtrų alyvos. (Pav. 62)
4. Suspauskite plastikinį maišelį, kad alyva tolygiai pasiskirstytų po oro filtrą.
5. Suspauskite maišelyje esantį oro filtrą, kad išspausumėte nereikalingą oro filtrų alyvą. Išimkite oro filtrą iš maišelio.
6. Sumontuokite oro filtrą.

## Kampinės pavaros tepimas

Būtinai patikrinkite, ar 3/4 kampinės pavaros yra pripildyta kampinių pavarų tepalu.

(Pav. 63)

## TECHNINIAI DUOMENYS

	gami- nys	<b>129C</b> (A05328CCHV)	<b>129L</b> (A05328CSHV)	<b>129LK</b> (A05328CSHV)
<b>Variklio specifikacija</b>				
Cilindro darbinis tūris	cm <sup>3</sup>	27,6	27,6	27,6
Tarpas tarp elektrodų	mm	0,5	0,5	0,5
Kuro bakelio tūris	cm <sup>3</sup>	343	343	343
Greitis tuščiaja eiga	min <sup>-1</sup>	2800–3200	2800–3200	2800–3200
Didžiausios galios greitis	min <sup>-1</sup>	8 000	8 000	8 000
Galia	kW	0,85	0,85	0,85
Uždegimo žvakė		Husqvarna HQT-4	Husqvarna HQT-4	Husqvarna HQT-4
Maksimalus galios atidavimo veleno sukimasis	min <sup>-1</sup>	8500	7200	7200
<b>Triukšmo ir vibracijos duomenys</b>				
Ekvivalentiškas vibracijos lygis (ahv, eq) kairiojoje rankenoje – žr. 1 pastabą	m/s <sup>2</sup>	3,64	9,9	9,9
Ekvivalentiškas vibracijos lygis (ahv, eq) dešiniojoje rankenoje – žr. 1 pastabą	m/s <sup>2</sup>	3,59	8,9	8,9
Triukšmo lygis, garantuotas (L <sub>WA</sub> ) – žr. 2 pastabą	dB (A)	114	114	114
Triukšmo lygis, išmatuotas – žr. 2 pastabą	dB (A)	106	105	106
Garso slėgio lygis naudotojo ausyje – žr. 3 pastabą	dB (A)	93	95	95
<b>Gaminio matmenys</b>				
Svoris (be pjovimo įrangos)	kg	4,61	5,21	5,98

**1 pastaba:** Pateiktuose atitinkamo vibracijos lygio duomenyse yra 1 m/s<sup>2</sup> tipiška statistinė sklaida (standartinis nuokrypis).

**2 pastaba.** Triukšmas, skleidžiamas į aplinką, išmatuotas kaip garso galia ( $L_{WA}$ ) pagal EB direktyvą 2000/14/ EB. Pateiktas įrenginio garso stiprumo lygis buvo išmatuotas naudojant didžiausią garsą sukeliantį originalų pjovimo įtaisą. Skirtumas tarp garantuojamosios ir matuojamosios garso galios yra tas, kad pagal direktyvą 2000/14/EB garantuojamoji garso galia apima ir matavimo rezultatų sklaidą bei nukrypimus tarp skirtingų to paties modelio įrenginių.

**3 pastaba:** Pateiktuose duomenyse apie ekvivalentinį įrenginio garso slėgio lygį yra 1 dB (A) tipiška statistinė sklaida (standartinis nuokrypis).

## PRIEDAI

### 129C

Patvirtinti priedai	Tipas	Pjovimo apsauga
Veleno sriegis (3/8 R)		
Žoliapjovės galvutė	T25 (Ø 2,0–2,4 mm)	580 44 66-10

### 129L, 129LK

Patvirtinti priedai	Tipas	Pjovimo įtaiso apsauga
Velenas su sriegiu (M10L)		
Žoliapjovės galvutė	T25 (Ø 2,0–2,4 mm)	580 44 66-06

Papildomai įsigijami priedai	Tipas	Naudojami
Šepečių priedai su velenu	SR600	129LK
Gyvatvorių žirklių priedai su velenu	HA850	129LK
Pakraščių lyginimo įrenginių priedai su velenu	EA850	129LK
Pjūklo įrenginių priedai su velenu	PA1100	129LK
Kultivatoriaus įrenginių priedai su velenu	CA150	129LK
Žoliapjovių priedai su velenu	TA850	129LK
Pjūklo įrenginių priedai su velenu	PAX1100	129LK
Pjūklo įrenginių priedai su velenu	PAX730	129LK

## EB ATITIKTIES DEKLARACIJOS TURINYS

Mes, „Husqvarna AB“, SE 561 82 Huskvarna, ŠVEDIJA, savo atsakomybe pareiškiamo, kad pateiktas gaminy:

Aprašymas	Benzininė žoliapjovė / krūmapjovė
Prekės ženklas	„Husqvarna“

<b>Aprašymas</b>	<b>Benzininė žoliapjovė / krūmapjovė</b>
Platforma / tipas / modelis	Platforma A05328CCHV, atitinka 129C modelį  Platforma A05328CSHV, atitinka 129L ir 129LK modelius
Partija	Serijos numerių data nuo 2013

visiškai atitinka šias ES direktyvas ir reikalavimus:

<b>Direktyva / reikalavimas</b>	<b>Aprašas</b>
2006/42/EB	„dėl mašinų“
2014/30/ES	„dėl elektromagnetinio suderinamumo“
2000/14/EB	„dėl triukšmo lauke“

Taikomi darnieji standartai ir (arba) techninės specifikacijos: EN ISO 12100, EN ISO 11806-1, CISPR 12, ISO 14982

Pagal 2000/14/EB direktyvos V priedą nustatytosios garso vertės pateikiamos šios instrukcijos techninių duomenų skyriuje iri pasirašytoje EB atitikties deklaracijoje.

Bendrovė „TÜV Rheinland N.A.“ atliko neatlygintą tyrimą bendrovės „Husqvarna AB“ vardu ir pateikia EB komisijos 2006/42/EB direktyvos dėl mašinų atitikties sertifikatą.

Šis sertifikatas, kaip nurodyta pasirašytoje EB atitikties deklaracijoje, galioja visoms gamybos vietoms ir kilmės šalims, nurodytoms gaminio etiketėje.

Tiekiami benzininė žoliapjovė / krūmapjovė atitinka tyrime naudotą pavyzdį.



---

## Saturs

---

IEVADS.....	225	TEHNISKIE DATI.....	232
DROŠĪBA.....	226	PIEDERUMI.....	233
MONTĀŽA.....	229	ES ATBILSTĪBAS DEKLARĀCIJAS SATURS.....	234
DARBĪBA.....	229	.....	0
APKOPE.....	231		

---

## IEVADS

---

### Lietotāja rokasgrāmata

Šīs lietotāja rokasgrāmatas sākotnējā valoda ir angļu. Lietotāja rokasgrāmatas citās valodās ir tulkojumi no angļu valodas.

### Pārskats

(Att. 1 )

1. Trimerā galva
2. Smērvielas uzpildes vietas vāciņš
3. Koniskais zobrats
4. Griešanas ierīces aizsargs
5. Takelāžas stienis
6. Takelāžas stieņa savienojums
7. Cilpveida rokturis
8. Droseles mēlīte
9. Apturēšanas slēdzis
10. Droseles mēlītes bloķētājs
11. Aizdedzes sveces uzgalis, aizdedzes svece
12. Startera korpus
13. Startera auklas rokturis
14. Degvielas tvertne
15. Gaisa filtra vāks
16. Degvielas sūknis
17. Droselvārsta vadība
18. Piedziņas disks
19. Lietotāja rokasgrāmata

### Simboli uz izstrādājuma

(Att. 2 ) Brīdinājums

(Att. 3 ) Izlasiet šo rokasgrāmatu.

(Att. 4 ) Izmantojiet apstiprinātus galvas aizsarglīdzekļus.

(Att. 5 ) Izmantojiet apstiprinātus dzirdes aizsarglīdzekļus.

(Att. 6 ) Izmantojiet apstiprinātus acu aizsarglīdzekļus.

(Att. 7 ) Izmantojiet apstiprinātus aizsargcimdus.

(Att. 8 ) Izmantojiet apstiprinātus aizsargapavus.

(Att. 9 ) Izstrādājums var izsviest objektus, kas var radīt acu traumas.

(Att. 10 ) Izstrādājums var izsviest objektus, kas var radīt acu traumas.

(Att. 11 ) Dzenamās vārpstas maksimālais ātrums.

(Att. 12 ) Drošs attālums

(Att. 13 ) Izmantojiet tikai lietošanai apstiprināto trimmera auklu. Neizmantojiet asmeni.

(Att. 14 ) Neizmantojiet no metāla izgatavotu griešanas ierīci.

(Att. 15 ) Garus matus sasieniet, lai tie būtu virs pleciem.

(Att. 16 ) Bultiņas norāda roktura atrašanās vietas ierobežojumus.

(Att. 17 ) Skaņas jaudas līmenis.

(Att. 18 ) Trokšņa līmenis

(Att. 19 ) Šis izstrādājums atbilst piemērojamo EK direktīvu prasībām.

(Att. 20 ) Šis produkts atbilst piemērojamo EAC direktīvu prasībām.

(Att. 21 ) Šis produkts atbilst piemērojamo Ukrainas direktīvu prasībām.

---

**Piezīme:** Pārējie uz izstrādājuma norādītie simboli/uzlīmes attiecas uz citu tirdzniecības nozaru prasībām.

---

## Atbildība par izstrādājuma kvalitāti

Saskaņā ar likumiem par izstrādājuma kvalitāti mēs neuzņemamies atbildību par bojājumiem, ko radījis mūsu izstrādājums, ja:

- ir veikts nepareizs izstrādājuma remonts;

- izstrādājuma remonts ir veikts, izmantojot detaļas, ko nav nodrošinājis vai apstiprinājis ražotājs;
- izstrādājumam tiek pievienots piederums, ko nav nodrošinājis vai apstiprinājis ražotājs;
- izstrādājuma remonts nav veikts pilnvarotā apkopes centrā vai pie pilnvarota speciālista.

## DROŠĪBA

### Drošības definīcijas

Tālāk sniegtās definīcijas norāda katra signālvārda nozīmīguma līmeni.



**BRĪDINĀJUMS:** Traumas.



**IEVĒROJIET:** Izstrādājuma bojājumi.

**Piezīme:** Šī informācija atvieglo izstrādājuma lietošanu.

### Vispārīgi norādījumi par drošību

- Lietojiet izstrādājumu pareizi. Nepareiza lietošana var radīt smagas vai nāvējošas traumas. Izmantojiet izstrādājumu tikai šajā rokasgrāmatā aprakstītajiem darbiem. Nelietojiet izstrādājumu citiem uzdevumiem.
- Ievērojiet šīs rokasgrāmatas norādījumus. Ievērojiet drošības simbolus un drošības instrukcijas. Ja operators neievēro norādījumus un simbolus, var tikt radīti aprikojuma bojājumi, smagas vai nāvējošas traumas.
- Neizmetiet šo rokasgrāmatu. Izmantojiet norādījumus, lai saliktu, lietotu un uzturētu šo izstrādājumu labā stāvoklī. Izmantojiet norādījumus pareizai palīgierīču un piederumu uzstādīšanai. Izmantojiet tikai apstiprinātās palīgierīces un piederumus.
- Nelietojiet bojātu izstrādājumu. Ievērojiet apkopes grafiku. Veiciet tikai tos apkopes darbus, kas aprakstīti šajā rokasgrāmatā. Pārējos apkopes darbus uzticiet pilnvarotam apkopes centram.
- Šī rokasgrāmatā nevar ietvert visas situācijas, kas var rasties, izmantojot šo izstrādājumu. Esiet uzmanīgs un saprātīgs. Nelietojiet izstrādājumu un neveiciet tā apkopi, ja neesat drošs par radušos situāciju. Sazinieties ar izstrādājuma speciālistu, izplatītāju, apkopes pārstāvi vai pilnvarotu apkopes centru, lai saņemtu papildinformāciju.
- Pirms izstrādājuma montāžas, novietošanas uzglabāšanā vai apkopes veikšanas atvienojiet aizdedzes sveces kabeli.
- Neizmantojiet izstrādājumu, ja tā sākotnējā specifikācija ir mainīta. Nemainiet izstrādājuma

detaļas bez ražotāja apstiprinājuma. Izmantojiet tikai tādas detaļas, ko ir apstiprinājis ražotājs. Veicot nepareizu apkopi, var tikt radītas smagas vai nāvējošas traumas.

- Neieelpojiet dzinēja radītos izgarojumus. Ilgstoša dzinēja izplūdes gāzu ieelpošana var apdraudēt veselību.
- Nelietojiet izstrādājumu telpās vai ugunsdrošu materiālu tuvumā. Izplūdes gāzes ir karstas un var saturēt dzirksteli, kas var izraisīt aizdegšanos. Nepietiekama gaisa plūsma var izraisīt savainojumus vai nāvi, nosmokot vai saindējoties ar oglekļa monoksīdu (tvaņa gāzi).
- Produkta lietošanas laikā tā dzinējs rada elektromagnētisko lauku. Elektromagnētiskais lauks var radīt medicīnisko implantātu bojājumus. Pirms izmantot izstrādājumu, sazinieties ar ārstu vai medicīniskā implantāta ražotāju.
- Neļaujiet bērniem lietot šo izstrādājumu. Neļaujiet lietot izstrādājumu personai, kas nav iepazinusies ar lietošanas norādījumiem.
- Ja izstrādājumu izmanto persona ar samazinātām fiziskajām vai garīgajām jūšām, vienmēr uzraugiet šo personu. Tuvumā vienmēr jābūt pieaugušajam.
- Ieslēdziet izstrādājumu vietā, kurai nevar piekļūt bērni un nepiederošas personas.
- Izstrādājums var izsviest objektus un radīt traumas. Ievērojiet drošības instrukcijas, lai samazinātu smagu vai nāvējošu traumu gūšanas risku.
- Neatstājiet izstrādājumu, kad darbojas tā dzinējs.
- Izstrādājuma lietotājs ir atbildīgs par radušos negadījumu.
- Pirms produkta lietošanas pārliecinieties, vai tā detaļas nav bojātas.
- Pirms produkta lietošanas pārliecinieties, vai atrodaties vismaz 15 m (50 pēdu) attālumā no citām personām vai dzīvniekiem. Informējiet tuvumā esošas personas par to, ka izmantosit produktu.
- Ievērojiet valsts vai vietējos likumus. Tie var neļaut vai ierobežot izstrādājuma lietošanu noteiktos apstākļos.
- Neizmantojiet šo izstrādājumu, ja esat noguris vai esat lietojis alkoholu, narkotikas vai medikamentus. Šīs vielas var ietekmēt jūsu redzi, modrību, koordināciju vai spriestspēju.

### Norādījumi par drošu darbu

- Pirms izstrādājuma lietošanas pārliecinieties, vai tas ir pilnībā samontēts.

- Pirms sākt darbu, pārvietojiet trimeri 3 m (10 pēdu) attālumā no vietas, kur veicāt degvielas ivertnes uzpildi. Novietojiet izstrādājumu uz līdzenas virsmas. Pārļiecinieties, vai griešanas ierīce nepieskaras zemei vai citiem priekšmetiem.
- Izstrādājums var izsviest objektus, kas var radīt acu traumas. Lietojot izstrādājumu, vienmēr izmantojiet atbilstošus acu aizsarglīdzekļus.
- Esiet uzmanīgs, jo darba laikā, jums nezinot, izstrādājuma tuvumā var nokļūt bērni.
- Nelietojiet izstrādājumu, ja darba zonā atrodas citas personas. Pārtrauciet lietot izstrādājumu, ja darba zonā ienāk cita persona.
- Nezaudējiet vadību pār izstrādājumu.
- Neizmantojiet izstrādājumu, ja jums nebūs, kas sniedz palīdzību, kad rodas negadījums. Pirms izstrādājuma lietošanas vienmēr pārļiecinieties, vai citi zina, ka jūs to lietošit.
- Negriezieties, turot izstrādājumu, pirms tam nepārļiecinoties, ja citas personas vai dzīvnieki atrodas drošā attālumā.

- Pirms darba sākšanas novāciet visus nevēlamos materiālus no darba zonas. Ja griešanas ierīce atsis pret objektu, tas var tikt izsviests, radot traumas vai bojājumus. Nevēlami materiāli var apēties ap griešanas ierīci un radīt bojājumus.
- Neizmantojiet izstrādājumu sliktos laika apstākļos (migla, lietus, stiprs vējš, negaisa iespējamība vai līdzīgos laika apstākļos). Sliktos laika apstākļos var rasties bīstami darba apstākļi (piemēram, slidenas virsmas).
- Pārļiecinieties, vai varat brīvi kustēties un strādāt stabilā stāvoklī.

(Att. 22 )

- Gādājiet, lai jūs nepakristu, lietojot izstrādājumu. Nepieliecieties izstrādājuma lietošanas laikā.
- Vienmēr turiet izstrādājumu ar abām rokām. Turiet izstrādājumu ķermeņa labajā pusē.

(Att. 23 )

- Lietojiet izstrādājumu, tā griešanas ierīcei atrodoties zem jūsu jostasvietas.
- Ja dzinēja iedarbināšanas laikā gaisa vārsta vadība atrodas gaisa vārsta pozīcijā, griešanas ierīce sāks griezties.
- Pēc dzinēja apturēšanas nepieskarieties koniskajam zobratam. Pēc dzinēja apturēšanas koniskais zobrats ir karsts. Karsti objekti var radīt apdegumus.
- Pirms izstrādājuma pārvietošanas izslēdziet dzinēju.
- Nenolieciet izstrādājumu zemē, kad tā dzinējs darbojas.
- Pirms nevēlamu materiālu noņemšanas no izstrādājuma apturiet dzinēju un uzgaidiet, līdz griešanas ierīce apstājas. Ļaujiet griešanas ierīcei apstāties, pirms jūs vai cita persona noņemat nogrieztu materiālu.

## Individuālais aizsargaprīkojums

- Strādājot ar produktu, vienmēr izmantojiet atbilstošu individuālais drošības aprīkojumu. Individuālais

drošības aprīkojums neizslēdz savainojumu risku. Individuālais drošības aprīkojums samazina negadījuma rezultātā radušos savainojumu smagumu.

- Strādājot ar produktu, vienmēr izmantojiet atbilstošus acu aizsarglīdzekļus.
- Nestrādājiet ar produktu basām kājām vai sandalēs. Vienmēr velciet darba apavus ar neslidošām zolēm.
- Velciet izturīgas garās bikses.
- Ja nepieciešams, izmantojiet atbilstošus aizsargcimdus.
- Ja pastāv iespēja, ka uz galvas var krist objekti, izmantojiet ķiveri.
- Strādājot ar produktu, vienmēr izmantojiet atbilstošus ausu aizsarglīdzekļus. Ilgstošs troksnis var izraisīt dzirdes zudumu.
- Pārļiecinieties, vai tuvumā atrodas pirmās palīdzības sniegšanas komplekts.

## Izstrādājuma aizsargierīces

- Regulāri veiciet izstrādājuma apkopi.
  - Tiek pagarināts izstrādājuma darbūzs.
  - Tiek samazināts negadījumu risks.

Ļaujiet pilnvarotam izplatītājam vai pilnvarotam apkopes centram regulāri pārbaudīt izstrādājumu, lai veiktu regulēšanu vai remontu.

- Neizmantojiet izstrādājumu, ja ir bojāts drošības aprīkojums. Ja izstrādājums ir bojāts, sazinieties ar pilnvarotu apkopes centru.

## Droseles mēlītes bloķētājs

Droseles mēlītes bloķētājs fiksē droseles mēlīti.

(Att. 24 )

Nospiediet droseles mēlītes bloķētāju (A), lai atbrīvotu droseles mēlīti. Atlaižot rokturi, droseles mēlītes bloķētājs un droseles mēlīte atgriezīsies sākotnējā stāvoklī.

1. Pārļiecinieties, vai tukšgaitas laikā droseles mēlīte (B), atlaižot droseles mēlītes bloķētāju (A), tiek bloķēta.
2. Nospiediet droseles mēlītes bloķētāju (A) un pārbaudiet, vai pēc atlaišanas tas atgriežas sākotnējā stāvoklī.
3. Nospiediet droseles mēlīti (B) un pārbaudiet, vai pēc atlaišanas tā atgriežas sākotnējā stāvoklī.

Iedarbiniet dzinēju un atveriet droseli līdz galam. Atlaidiet droseles mēlīti un pārbaudiet, vai griešanas ierīce apstājas. Ja, droselei esot tukšgaitas stāvoklī, griešanas ierīce griežas, pārbaudiet karburatora tukšgaitas regulēšanas skrūvi.

## Apturēšanas slēdzis

Iedarbiniet dzinēju. Pārļiecinieties, vai, pārlēdzot apturēšanas slēdzi apturēšanas stāvoklī, dzinējs apstājas.

(Att. 25 )

## Griešanas ierīces aizsargs

Griešanas ierīces aizsargs neļauj vaļīgus objektus izsviest operatora virzienā.

(Att. 26 )

Pārbaudiet, vai nav radušies griešanas ierīces aizsarga bojājumi, un nomainiet to, ja tas ir bojāts. Griešanas ierīcei izmantojiet tikai apstiprinātu aizsargu.

## Slāpētājs

- Neizmantojiet motoru, kura slāpētājs ir bojāts. Bojāts slāpētājs palielina trokšņa līmeni un aizdegšanās risku. Turiet tuvumā ugunsdzēsamo aparātu.
- Regulāri pārbaudiet produktam pievienoto slāpētāju.
- Nepieskarieties motoram vai slāpētājam, kad motors darbojas. Nepieskarieties motoram vai slāpētājam vēl brīdi pēc motora izslēgšanas. Karstas virsmas var izraisīt savainojumus.
- Karsts slāpētājs var izraisīt aizdegšanos. Esiet uzmanīgs, ja izmantojat produktu uzliesmojošu šķidrumu vai tvaiku tuvumā.
- Nepieskarieties slāpētāja detaļām, ja slāpētājs ir bojāts. Detaļas var saturēt kancerogēnas ķīmikālijas.

## Griešanas ierīce

- Regulāri veiciet apkopi. Ļaujiet pilnvarotam apkopes centram regulāri pārbaudīt griešanas ierīci, lai veiktu regulēšanu vai remontu.
  - Tiek uzlabota griešanas ierīces darbība.
  - Tiek pagarināts griešanas ierīces darbmūžs.
  - Tiek samazināts negadījumu risks.
- Izmantojiet tikai apstiprinātu griešanas ierīces aizsargu. Papildinformāciju sk. *TEHNISKIE DATI lpp. 232*.
- Neizmantojiet bojātu griešanas ierīci.

## Zāles trimmera galva

- Pārliecinieties, vai zāles trimmera galva ir stingri un vienmērīgi pievilkta ap cilindru, lai samazinātu vibrāciju.
- Izmantojiet tikai apstiprinātas zāles trimmera galvas un zāles trimmera auklas. Skatiet šeit: *TEHNISKIE DATI lpp. 232*.
- Izmantojiet pareiza garuma zāles trimmera auklu. Gara zāles trimmera aukla patērē vairāk motora jaudas, nekā īsa zāles trimmera aukla.
- Pārliecinieties, vai nav bojāts uz griešanas ierīces aizsarga piestiprinātais griezējs.
- Pirms zāles trimmera auklas piestiprināšanas produktam 2 dienas mērcējiet zāles trimmera auklu ūdenī. Tas palielina zāles trimmera auklas darbmūžu.

## Drošības norādījumi, rīkojoties ar degvielu

- Nelietojiet izstrādājumu, ja uz tā ir degviela vai dzinēja eļļa. Nofriet nevēlamo degvielu/eļļu un ļaujiet

izstrādājumam nožūt. Nofriet no izstrādājuma nevēlamo degvielu.

- Ja degviela ir nokļuvusi uz apģērba, nekavējoties pārgērbieties.
- Neļaujiet degvielai nonākt uz ķermeņa, jo tā var izraisīt savainojumus. Ja degviela ir nonākusi uz ķermeņa, izmantojiet ziepes un ūdeni, lai to nomazgātu.
- Neiedarbiniet dzinēju, ja uz izstrādājuma vai jūsu ķermeņa ir izlijusi eļļa vai degviela.
- Nelietojiet izstrādājumu, ja dzinējā ir sūce. Regulāri pārbaudiet, vai dzinējam nav radusies sūce.
- Rīkojoties ar degvielu, esiet uzmanīgs. Degviela ir viegli uzliesmojoša, tās tvaiki ir sprādzienbīstami, un var izraisīt savainojumus vai nāvi.
- Neieelpojiet degvielas tvaikus, jo tie var izraisīt savainojumus. Pārliecinieties, vai gaisa plūsma ir pietiekama.
- Nesmēķējiet degvielas vai dzinēja tuvumā.
- Nenovietojiet siltus objektus degvielas vai dzinēja tuvumā.
- Nepievienojiet degvielu dzinēja darbības laikā.
- Pirms degvielas uzpildes pārliecinieties, vai dzinējs ir atdzisis.
- Pirms uzpildes lēni atveriet degvielas tvertnes vāciņu un uzmanīgi izlaidiet spiedienu.
- Neveiciet dzinēja degvielas uzpildi telpās. Nepietiekama gaisa plūsma var izraisīt savainojumus vai nāvi, nosmokot vai saindējoties ar oglekļa monoksīdu (tvana gāzi).
- Rūpīgi pievelciet degvielas tvertnes vāciņu, lai neizraisītu aizdegšanos.
- Pirms iedarbināšanas pārvietojiet izstrādājumu vismaz 3 m (10 pēdu attālumā) no vietas, kur veicāt uzpildi.
- Neļiejiet degvielas tvertnē pārāk daudz degvielas.
- Pārliecinieties, vai, pārvietojot izstrādājumu vai degvielas tvertni, nerodas sūce.
- Novietojiet izstrādājumu vai degvielas tvertni vietā, kur ir atklāta uguns, dzirksteles vai signāllampīnas. Pārliecinieties, vai uzglabāšanas vietā nav atklāta uguns.
- Degvielas pārvietošanai un uzglabāšanai izmantojiet tikai tam paredzētas tvertnes.
- Pirms ilgstošas uzglabāšanas iztukšojiet degvielas tvertni. Ievērojiet vietējos noteikumus par atbrīvošanu no degvielas.
- Pirms ilgstošas uzglabāšanas nofriet izstrādājumu.
- Pirms izstrādājuma novietošanas glabāšanā izņemiet aizdedzes svenci, lai nodrošinātu, ka dzinējs nejauši neieslēdzas.

## Norādījumi par drošu apkopi

- Ja nevarat pielāgot brīvsgaitas apgriezumu skaitu, lai apturētu griešanas ierīces darbību, sazinieties ar apkopes centru. Nelietojiet produktu, kamēr tas nav precīzi noregulēts vai saremontēts.

# MONTĀŽA



**BRĪDINĀJUMS:** Pirms izstrādājuma montāžas iepazīstieties ar drošības norādījumiem.

## Apajā roktura piestiprināšana

1. Piestipriniet apaļo rokturi stienim, kā parādīts attēlā, un pievelciet to.(Att. 27 )
2. Pārļiecinieties, vai cilpveida rokturis ir piestiprināts starp bultiņām uz aprīkojuma stieņa.

## Divdaļīgā aprīkojuma stieņa montāža

1. Lai atlaistu vaļīgāk vārpstas sakabi, pagrieziet pārslēgšanas pogu.(Att. 28 )
2. Izlīdziniet aprīkojuma stieņa izcilni (A) ar bultiņu uz aprīkojuma stieņa savienotāja (B).(Att. 29 )
3. Stumiet vārpstu vārpstas sakabē, līdz tā piestiprinās.(Att. 30 )
4. Pirms produkta lietošanas pārļiecinieties, vai pārslēgšanas poga ir piegriezta.(Att. 31 )

## Divdaļīgās vārpstas izjaukšana

1. Lai atlaistu vaļīgāk vārpstas sakabi, pagrieziet pārslēgšanas pogu.(Att. 32 )
2. Nospiediet un turiet pogu (C).(Att. 33 ) Turiet motora pusi un velciet aprīkojuma stieni ārā no aprīkojuma stieņa savienotāja.

## Griešanas ierīces montāža

### Griešanas ierīces aizsarga un trimera galvas (taisnais stienis) piestiprināšana

1. Piestipriniet griešanas ierīces aizsargu (A) stienim, izmantojot skrūvi (L).(Att. 34 ) Pārļiecinieties, vai izmantojat pareizu griešanas ierīces aizsargu un pareizu trimera galvu.
2. Piestipriniet piedziņas disku (B) piedziņas vārpstai.
3. Grieziet piedziņas vārpstu, līdz piedziņas diska atvere salāgojas ar atveri zobratu kārbā.
4. Ievietojiet atverē mazu skrūvgriezi (C), lai fiksētu vārpstu.(Att. 35 )
5. Grieziet trimera galvu (H) pretēji pulksteņrādītāju kustības virzienam, lai trimera galvu nostiprinātu pie zobratu kārbas. (Kreisās puses vītņēm.)(Att. 36 )

### Lai piestiprinātu griešanas ierīces aizsargu un trimmera galvu (liektais aprīkojuma stienis)

1. Piestipriniet aizsargu.(Att. 37 ) Pievelciet uzgriezni.
2. Piestipriniet putekļu aizsargu uz vārpstas.(Att. 38 )
3. Pieturiet putekļu aizsargu ar regulējamo uzgriežņu atslēgu, lai pārļiecinātos, ka aprīkojuma stienis negriežas.
4. Uzstādiet trimmera galvu uz aprīkojuma stieņa. Pagrieziet trimmera galvu pulksteņrādītāja kustības virzienā.

# DARBĪBA



**BRĪDINĀJUMS:** Pirms izstrādājuma lietošanas izlasiet un izprotiet drošības norādījumus.

## Degviela

### Degvielas izmantošana



**IEVĒROJIET:** Šim izstrādājumam ir divtaktu dzinējs. Izmantojiet benzīna un divtaktu dzinēja eļļas maisījumu. Pārļiecinieties, vai maisījumā ir pareizs daudzums eļļas. Nepareiza benzīna un eļļas proporcija var radīt dzinēja bojājumus.

## Benzīns



**IEVĒROJIET:** Neizmantojiet benzīnu, kura oktānskaitlis ir mazāks par 90 RON (87 AKI). Pretējā gadījumā produkts var tikt bojāts.



**IEVĒROJIET:** Neizmantojiet benzīns, kurā etanola koncentrācija pārsniedz 10% (E10). Pretējā gadījumā produkts var tikt bojāts.

- Vienmēr izmantojiet nelietotu bezsvina benzīnu ar oktānskaitli, kas nav mazāks par 90 RON (87 AKI) un kura etanola koncentrācija nepārsniedz 10% (E10).
- Ja bieži lietojat produktu ar ilgstošiem augstiem motora apgriezieniem, izmantojiet benzīnu ar augstāku oktānskaitli.

## Divu ciklu motoreļļa

- Izmantojiet tikai augstas kvalitātes divu ciklu motoreļļu. Izmantojiet tikai motoreļļu ar gaisa dzesēšanu.
- Neizmantojiet citu veidu eļļas.
- Maisījuma proporcija 50:1 (2%)

Benzīns	Eļļa
1 ASV galons	77 ml (2,6 unces)

Benzīns	Eļļa
1 AK galons	95 ml (3,2 unces)
5 l	100 ml (3,4 unces)

## Degvielas maisījuma izveide

**Piezīme:** Degvielas maisījuma izveidei vienmēr izmantojiet tīru degvielas konteineru.

**Piezīme:** Veidojiet degvielas maisījumu, kas nepieciešams ne vairāk kā 30 dienām.

1. Pievienojiet pusi no nepieciešamā benzīna.
2. Pievienojiet visu daudzumu eļļas.
3. Sakratiet degvielas maisījumu, lai sajauktu sastāvdaļas.
4. Pievienojiet atlikušo benzīnu.
5. Sakratiet degvielas maisījumu, lai sajauktu sastāvdaļas.
6. Uzpildiet degvielas tvertni.

## Degvielas pievienošana

- Vienmēr izmantojiet degvielas konteineru ar aizsargaprīkojumu pret pārplūšanu.
- Ja konteinerā paliek degviela, iztukšojiet to un ļaujiet konteineram izžūt.
- Pārļiecinieties, vai vieta ap degvielas tvertnes vāciņu ir tīra.
- Pirms degvielas maisījuma uzpildes degvielas tvertnē sakratiet degvielas konteineru.

## Ieslēgšana un izslēgšana

### Pirms dzinēja iedarbināšanas

- Pārbaudiet, vai izstrādājumam nav trūkstošas, bojātas, vaļīgas vai nolietotas detaļas.
- Pārbaudiet uzgriežņus un skrūves.
- Pārbaudiet gaisa filtru.
- Pārbaudiet, vai drosēles mēlītes bloķētājs un drosēles vadība darbojas pareizi.
- Pārbaudiet, vai apturēšanas slēdzis darbojas pareizi.
- Pārbaudiet, vai izstrādājumā nav degvielas noplūdes.
- Pārbaudiet zāģa ķēdes asumu un spriegojumu.

### Auksta dzinēja iedarbināšana

1. 10 reizes nospiediet startēšanas sūkni.(Att. 39 )
2. Pavelciet uz augšu drosēlvārsta vadības ierīci.(Att. 40 )
3. Ar kreiso roku piespiediet zāģa korpusu pie zemes.(Att. 41 ) Nekāpiet uz izstrādājuma. Lēni velciet startera auklas rokturi, līdz sajūtat pretestību. Pēc tam pavelciet startera auklas rokturi ar spēku.

**Piezīme:** Mēģinot iedarbināt dzinēju, nespiediet drosēles mēlīti.

4. Turpiniet vilkt startera auklas rokturi (ne vairāk kā 3 reizes), līdz dzinējs tiek iedarbināts vai gandrīz iedarbināts. Ja dzinējs sāk darboties vai gandrīz sāk darboties, nospiediet drosēlvārsta vadības ierīci uz leju. Turpiniet vilkt, līdz dzinējs iedarbināts. Pēc iedarbināšanas nogaidiet 60 sekundes, pēc tam pavelciet drosēles mēlīti.



**IEVĒROJIET:** Nevelciet startera auklu līdz galam. Neatļaidiet startera auklu, kad tā pilnībā izvilkta. Atļaidiet startera auklu lēnām. Neievērojot šos norādījumus var tikt radīti dzinēja bojājumi.

## Silta motora iedarbināšana

1. 10 reizes nospiediet startēšanas sūkni.
2. Pavelciet startera auklu, līdz tiek iedarbināts motors.

## Apturēšana

- Nospiediet apturēšanas slēdzi, lai apturētu dzinēju.(Att. 42 )

**Piezīme:** Apturēšanas slēdzis automātiski atgriežas sākotnējā stāvoklī.

## Zāles trimmera darbināšana



**IEVĒROJIET:** Pirms katras darbības samaziniet motora ātrumu līdz brīvgaitas apgriezīnu skaitam. Ilgstoša darbināšana uz pilnu jaudu bez motora slodzes var radīt motora bojājumus.

**Piezīme:** Pievienojot jaunu trimmera auklu, noīriet trimmera galvas pārsegu, lai novērstu vibrāciju. Pārbaudiet pārējās trimmera galvas detaļas un noīriet, ja nepieciešams.

## Zāles apgriešana

1. Turiet trimera galvu slīpi tieši virs zemes.(Att. 43 ) Nespiediet zāles trimmeri tieši zālē.
2. Samaziniet zāles trimera auklas garumu par 10–12 cm (4–4,75 collām) un samaziniet dzinēja apgriezīnu skaitu, lai mazinātu risku sabojāt augus.
3. Veicot griešanu objektu tuvumā, izmantojiet 80% jaudas.(Att. 44 )

## Zāles griešana

1. Veicot griešanu, zāles trimera auklai jābūt paralēli zemei.(Att. 45 )
2. Nespiediet trimera galvu pret zemi. Var tikt bojāta augsne un izstrādājums.

3. Neļaujiet trimera galvai nepārtraukti pieskarties zemei, jo tā var tikt bojāta trimera galva. (Att. 48 )  
(Att. 49 )  
(Att. 50 )
4. Pārvietojot trimeri no vienas puses uz otru, kad veicat zāles pļaušanu, nospiediet drošeli līdz galam. (Att. 46 ) Pārliecinieties, vai zāles trimmera aukla ir paralēli zemei. (Att. 51 )  
(Att. 52 )  
(Att. 53 )  
(Att. 54 )

## Trimmera auklas nomaiņa

(Att. 47 )

## APKOPE



**BRĪDINĀJUMS:** Pirms tīrīt, remontēt un apkopt zāģi, izlasiet un izprotiet drošības sadaļu.

### Apkopes grafiks

Obligāti ievērojiet apkopes grafiku. Intervāli tiek aprēķināti atbilstoši produkta ikdienas lietošanai. Ja nelietojat produktu katru dienu, intervāli ir atšķirīgi. Veiciet tikai tos apkopes darbus, kas ir minēti šajā rokasgrāmatā. Lai veiktu apkopes darbus, kas nav minēti šajā rokasgrāmatā, sazinieties ar pilnvarotu apkopes centru.

#### Iknedējas apkope

- Notīriet ārējās virsmas.
- Pārbaudiet brīvgaitas apgriezumu skaitu.
- Pārbaudiet, vai konisko zobratu reduktors (taisnais aprīkojuma stienis) ir ieeļļots.

#### Ikmēneša apkope

- Pārbaudiet startera auklas rokturi un startera auklu.

#### Gada apkope

- Pārbaudiet aizdedzes sveci.
- Ieeļļojiet piedziņas vārpstas galu (divdaļīgs aprīkojuma stienis).
- Notīriet karburatora un tam pieguļošās ārējās virsmas.
- Izfīriet dzesēšanas sistēmu.
- Pārbaudiet dzirkstelizlādņa režģi.
- Pārbaudiet degvielas filtru.
- Pārbaudiet, vai nav radušies degvielas šļūtenes bojājumi.
- Pārbaudiet visus kabeļus un savienojumus.

#### Apkope pēc 50 stundām

- Apmeklējiet pilnvarotu apkopes centru, lai veiktu slāpētāja remontu vai nomaiņu.

### Tukšgaitas apgriezumu skaita regulēšana

- Pirms tukšgaitas apgriezumu skaita regulēšanas pārlicinieties, vai gaisa filtrs ir tīrs un ir piestiprināts gaisa filtra pārsegs.

- Regulējiet tukšgaitas apgriezumu skaitu ar tukšgaitas regulēšanas skrūvi T, kas apzīmēta ar "T".
- Tukšgaitas apgriezumu skaits ir pareizs, ja dzinējs vienmērīgi darbojas visos režīmos. Tukšgaitas apgriezumu skaitam ir jābūt mazākam par to, pie kura griešanas ierīce sāk griezties.

1. Grieziet tukšgaitas regulēšanas skrūvi pulksteņrādītāju kustības virzienā, līdz griešanas ierīce sāk griezties. (Att. 55 )
2. Grieziet tukšgaitas regulēšanas skrūvi pretēji pulksteņrādītāju kustības virzienam, līdz griešanas ierīce apstājas.

### Dzirksteļu uztvērēja režģa apkope

Ar metāla suku izfīriet dzirksteļu uztvērēja režģi. (Att. 56 )

### Dzesēšanas sistēmas tīrīšana

Notīriet dzesēšanas sistēmas daļas ar suku.

(Att. 57 )

### Aizdedzes sveces pārbaude



**IEVĒROJIET:** Izmantojiet ieteikto aizdedzes sveces tipu. Pārlicinieties, vai rezerves detaļa ir tāda pati kā ražotāja nodrošinātā. Nepareiza aizdedzes svece var radīt izstrādājuma bojājumus.

1. Pārbaudiet aizdedzes sveci šādos gadījumos:
  - a) samazinās dzinēja jauda;
  - b) dzinēju ir grūti iedarbināt;
  - c) tukšgaitā dzinējs nedarbojas pareizi.
2. Ja dzinēju ir grūti iedarbināt vai darbināt, pārbaudiet, vai uz aizdedzes sveces nav uzkrājušies nevēlami materiāli. Lai samazinātu nevēlamu materiālu uzkrāšanos uz aizdedzes sveces elektrodiem:
  - a) pārlicinieties, vai tukšgaitas apgriezumu skaits ir pareizi noregulēts;
  - b) pārlicinieties, vai degvielas maisījums ir pareizs;
  - c) pārlicinieties, vai gaisa filtrs ir tīrs.
3. Ja aizdedzes svece ir nefīra, notīriet to. Pārbaudiet, vai attālums starp aizdedzes sveces elektrodiem ir pareizs. (Att. 58 )

4. Kad nepieciešams, nomainiet aizdedzes sveci.

## Divdaļīgā aprīkojuma stieņa ieeļļošana

- Ieeļļojiet aprīkojuma stieņa galu pēc katrām 30 darba stundām. (Att. 59)

## Gaisa filtra apkope

### Gaisa filtra tīrīšana

1. Noņemiet gaisa filtra pārsegu un izņemiet gaisa filtru. (Att. 60)
2. Izīriet gaisa filtru ar siltu ziepju deni. Pirms uzstādīšanas pārļiecinieties, vai gaisa filtrs ir sauss.
3. Nomainiet gaisa filtru, ja tas ir pārāk nefīrs, lai to pilnībā notīrītu. Vienmēr nomainiet bojātu gaisa filtru.
4. Ja izstrādājumam ir putu polistirola filtrs, ieeļļojiet to ar gaisa filtra eļļu. Gaisa filtra eļļu izmantojiet tikai putu polistirola filtram. Nelietojiet eļļu filca filtram.

### Gaisa filtra ieeļļošana ar gaisa filtra eļļu



**IEVĒROJĒT:** Putu polistirola filtriem vienmēr izmantojiet speciālo gaisa filtra eļļu. Neizmantojiet citu veidu eļļas.



**BRĪDINĀJUMS:** Neļaujiet eļļai nonākt uz jūsu ķermeņa.

1. Noņemiet gaisa filtra pārsegu un izņemiet gaisa filtru. (Att. 61)
2. Ievietojiet gaisa filtru plastmasas maisiņā.
3. Ievietojiet gaisa filtra eļļu plastmasas maisiņā. (Att. 62)
4. Saspieties plastmasas maisiņu, lai nodrošinātu, ka eļļa tiek vienmērīgi uzklāta uz gaisa filtra.
5. Uzspiediet uz gaisa filtra, kad tas atrodas maisiņā, lai notīrītu lieko gaisa filtra eļļu. Izņemiet gaisa filtru no maisiņa.
6. Uzstādiat gaisa filtru.

## Koniskā zobrata ieeļļošana

Sekojiat, lai koniskais zobrats būtu par trīs ceturtdaļām piepildīts ar smērvielu.

(Att. 63)

## TEHNISKIE DATI

	Mērvienība	129C (A05328CCHV)	129L (A05328CSHV)	129LK (A05328CSHV)
<b>Motora specifikācija</b>				
Cilindra nobīde	cm <sup>3</sup>	27,6	27,6	27,6
Elektrodu atstarpe	mm	0,5	0,5	0,5
Degvielas tvertnes tilpums	cm <sup>3</sup>	343	343	343
Brīvgaitas ātrums	min <sup>-1</sup>	2800–3200	2800–3200	2800–3200
Maksimālie jaudas apgriezieni	min <sup>-1</sup>	8000	8000	8000
Jaudas izvade	kW	0,85	0,85	0,85
Aizdedzes svece		Husqvarna HQT-4	Husqvarna HQT-4	Husqvarna HQT-4
Maksimālā dzenamās vārpstas rotācija	min <sup>-1</sup>	8500	7200	7200
<b>Trokšņu un vibrāciju līmeņa dati</b>				
Līdzvērtīgs vibrāciju līmenis (ahv, eq), kreisais rokturis — skatiet 1. piezīmi	m/s <sup>2</sup>	3,64	9,9	9,9
Līdzvērtīgs vibrāciju līmenis (ahv, eq), labais rokturis — skatiet 1. piezīmi	m/s <sup>2</sup>	3,59	8,9	8,9
Skaņas jaudas līmenis, garantētais(L <sub>WA</sub> ) — skatiet 2. piezīmi	dB (A)	114	114	114



Skaņas jaudas līmenis, izmērītais — skatiet 2. piezīmi	dB (A)	106	105	106
Skaņas spiediena līmenis operatora ausī — skatiet 3. piezīmi	dB (A)	93	95	95
<b>Izstrādājuma izmēri</b>				
Svars (bez griešanas aprīkojuma)	kg	4,61	5,21	5,98
<p><b>1. piezīme</b> Sniegtajos datos par ekvivalentu vibrācijas līmeni ir tipiska <math>1 \text{ m/s}^2</math> statistiskā izkliede (standarta novirze).</p> <p><b>2. piezīme</b> Atbilstoši EK Direktīvai 2000/14/EK trokšņu emisija apkārtne ir mērīta kā skaņas jauda (<math>L_{WA}</math>). Ierīces novērotais skaņas intensitātes līmenis ir izmērīts ar pievienotu oriģinālo griešanas ierīci, kas veic darbu augstākajā līmenī. Atšķirība starp garantēto un izmērīto skaņas intensitātes līmeni ir tāda, ka garantētā skaņas intensitātes līmeņa mērījumu rezultāts ietver arī izkliedi mērījuma rezultātā un novirzes starp dažādām tā paša modeļa ierīcēm, kas atbilst Direktīvai 2000/14/EK.</p> <p><b>3. piezīme.</b> Sniegtajos datos par ekvivalenta skaņas spiediena līmeni ierīcei ir tipiska statistiskā 1 dB (A) izkliede (standartnovirze).</p>				

## PIEDERUMI

<b>129C</b>		
<b>Apstiprinātie piederumi</b>	<b>Tips</b>	<b>Griešanas ierīces aizsargs</b>
Vītņots aprīkojuma stienis (3/8 R)		
Trimmera galva	T25 (Ø: 2,0–2,4 mm)	580 44 66-10
<b>129L, 129LK</b>		
<b>Apstiprinātie piederumi</b>	<b>Tips</b>	<b>Griešanas ierīces aizsargs</b>
Vītņota vārpsta (M10L)		
Trimeras galva	T25 (Ø: 2,0–2,4 mm)	580 44 66-06

<b>Izvēles piederumi</b>	<b>Tips</b>	<b>Izmanto sekojošiem modeļiem</b>
Slaucītāja palīgierīce ar aprīkojuma stieni	SR600	129LK
Dzīvžogu grieznes ar aprīkojuma stieni	HA850	129LK
Apmaļu griezējs ar aprīkojuma stieni	EA850	129LK
Zāga palīgierīce ar aprīkojuma stieni	PA1100	129LK
Kultivatora agregāts ar aprīkojuma stieni	CA150	129LK
Zāles trimmera palīgierīce ar aprīkojuma stieni	TA850	129LK
Zāga palīgierīce ar aprīkojuma stieni	PAX1100	129LK
Zāga palīgierīce ar aprīkojuma stieni	PAX730	129LK

---

## ES ATBILSTĪBAS DEKLARĀCIJAS SATURS

---

Mēs, Husqvarna AB, SE 561 82 Huskvarna, SWEDEN, uzņemamies pilnu atbildību un apliecinām, ka šis izstrādājums:

<b>Apraksts</b>	<b>Benzīna zāles trimmeris/ krūmgriezis</b>
Zīmols	Husqvarna
Platforma/tips/modelis	Platforma A05328CCHV, pārstāvētais modelis 129C  Platforma A05328CSHV, pārstāvētie modeļi 129L un 129LK
Partija	Sērijas numurs no 2013. gada un vēlāk

pilnībā atbilst šādām ES direktīvām un noteikumiem:

<b>Direktīva/noteikumi</b>	<b>Apraksts</b>
2006/42/EK	par mašīnām
2014/30/EK	par elektromagnētisko sa- vietojamību
2000/14/EK	par trokšņa emisiju vidē

Ir piemēroti šādi saskaņotie standarti un/vai tehniskās specifikācijas: EN ISO 12100, EN ISO 11806-1, CISPR 12, ISO 14982

Saskaņā ar Direktīvas 2000/14/EK V pielikumu deklarētie skaņas līmeņi ir norādīti šīs rokasgrāmatas tehnisko datu sadaļā un parakstīti EK Atbilstības deklarācijā.

TÜV Rheinland N.A. veica brīvprātīgu pārbaudi Husqvarna AB vārdā, izsniedzot atbilstības sertifikātu saskaņā ar EK Padomes Direktīvu 2006/42/EK par mašīnām.

Šis sertifikāts, kas pievienots parakstītajai EK Atbilstības deklarācijai, ir derīgs visām ražotnēm un izcelsmes valstīm, kas norādītas uz izstrādājuma.

Piegādātais benzīna zāles trimmeris/krūmgriezis atbilst izstrādājumam, kam tika veikta pārbaude.

---

## Содержание

---

ВЪВЕДЕНИЕ.....	235	ТЕХНИЧЕСКИ ХАРАКТЕРИСТИКИ.....	243
БЕЗОПАСНОСТ.....	236	ПРИНАДЛЕЖНОСТИ.....	244
МОНТАЖ.....	239	СЪДЪРЖАНИЕ НА ДЕКЛАРАЦИЯТА ЗА	
РАБОТА.....	240	СЪОТВЕТСТВИЕ НА ЕС.....	245
ТЕХНИЧЕСКО ОБСЛУЖВАНЕ.....	242	.....	0

---

## ВЪВЕДЕНИЕ

---

### Инструкция за експлоатация

Оригиналната версия на настоящата инструкция за експлоатация е на английски език. Инструкциите за

експлоатация на други езици са преведени от английски.

### Преглед

(Фиг. 1 )

1. Тримерна глава
2. Капачка за пълнене с грес
3. Ъглова зъбна предавка
4. Предпазител на режещо оборудване
5. Вал
6. Съединение на вала
7. Примкова ръкохватка
8. Регулатор за газта
9. Превключвател за спиране
10. Блокировка на регулатор за газта
11. Лула на запалителната свещ, запалителна свещ
12. Корпус на стартера
13. Дръжка на въжето на стартера
14. Резервоар за гориво
15. Капак на въздушния филтър
16. Подкачваща помпа
17. Смукач
18. Задвижващ диск
19. Инструкция за експлоатация

Възможно е изхвърчане на предмети от продукта, което може да доведе до увреждане на очите.

(Фиг. 9 )

Възможно е изхвърчане на предмети от продукта, което може да доведе до увреждане на очите.

(Фиг. 10 )

Максимални обороти на изходния вал.

(Фиг. 11 )

Безопасно разстояние

(Фиг. 12 )

Използвайте само одобрена корда на тримера. Не използвайте режещ диск.

(Фиг. 13 )

Не използвайте режещо оборудване, изработено от метал.

(Фиг. 14 )

Уверете се, че дългата коса е прибрана над раменете.

(Фиг. 15 )

Стрелките показват ограниченията на позицията на ръкохватката.

(Фиг. 16 )

Ниво на звукова мощност.

(Фиг. 17 )

Ниво на шума

(Фиг. 18 )

Продуктът е в съответствие с приложените директиви на ЕО.

(Фиг. 19 )

Продуктът е в съответствие с приложените директиви на ЕАС.

(Фиг. 20 )

Продуктът е в съответствие с приложените директиви на Украйна.

(Фиг. 21 )

### Символи върху продукта

(Фиг. 2 ) Предупреждение

(Фиг. 3 ) Прочетете ръководството.

(Фиг. 4 ) Използвайте одобрена защита за глава.

(Фиг. 5 ) Използвайте одобрени антифони.

(Фиг. 6 ) Използвайте одобрени защитни средства за очите.

(Фиг. 7 ) Използвайте одобрени защитни ръкавици.

(Фиг. 8 ) Използвайте предпазни обувки/ботуши.

---

**Забележка:** Останалите символи/стикери на продукта се отнасят до изисквания по отношение на сертификати за други търговски зони.

---

## Отговорност за вреди, причинени от стоки

Както е посочено в законите за отговорност за вреди, причинени от стоки, ние не носим отговорност за щети, причинени от нашия продукт, ако:

- продуктът е неправилно ремонтиран.
- продуктът е ремонтиран с части, които не са от производителя или не са одобрени от производителя.

- продуктът има принадлежност, която не е от производителя или не е одобрена от производителя.
- продуктът не е ремонтиран в одобрен сервизен център или от одобрен орган.

---

## БЕЗОПАСНОСТ

---

### Дефиниции за безопасност

Дефинициите по-долу предоставят нивото на сериозност за всяка една предупредителна дума.



**ПРЕДУПРЕЖДЕНИЕ:** Нараняване на лица.



**ВНИМАНИЕ:** Повреда на продукта.

**Забележка:** Тази информация прави продукта по-лесен за използване.

### Общи инструкции за безопасност

- Използвайте правилно продукта. Неправилната употреба може да доведе до нараняване или смърт. Използвайте продукта само за задачите, описани в настоящето ръководство. Не използвайте продукта за други задачи.
- Спазвайте инструкциите в тази инструкция за експлоатация. Спазвайте символите за безопасност и инструкциите за безопасност. Ако операторът не спазва инструкциите и символите, резултатът може да е нараняване, повреда или смърт.
- Не изхвърляйте това ръководство. Следвайте инструкциите за монтиране, използване и поддръжка на продукта в добро състояние. Следвайте инструкциите за правилен монтаж на приспособленията и принадлежностите. Използвайте само одобрени приспособления и принадлежности.
- Не използвайте повреден продукт. Спазвайте графика за техническо обслужване. Извършвайте само дейностите по техническо обслужване, за които ще намерите инструкция в това ръководство. Всички други дейности по техническото обслужване трябва да бъдат извършени от одобрен сервизен център.
- Това ръководство не може да включва всички ситуации, които биха могли да възникнат при

използване на продукта. Бъдете внимателни и действайте разумно. Не работете с продукта и не извършвайте техническо обслужване, ако не сте сигурни относно ситуацията. За да получите информация, говорете с експерт по продукта, Вашия дистрибутор, сервиз или с одобрен сервизен център.

- Разкачете проводника на запалителната свещ преди сглобяване, складиране или техническо обслужване на продукта.
- Не използвайте продукта, ако е променен спрямо първоначалните му спецификации. Не сменяйте някоя част на продукта без одобрение от производителя. Използвайте само части, които са одобрени от производителя. Неправилното техническо обслужване е възможно да доведе до нараняване или смърт.
- Не вдъшвайте изпарения от двигателя. Продължителното вдъшване на отработените газове от двигателя е опасно за здравето.
- Не стартирайте продукта на закрито или близо до запалими материали. Отработените газове са горещи и биха могли да съдържат искри, които да предизвикат пожар. Недостатъчният въздушен поток може да доведе до нараняване или смърт поради задушаване или въглероден окис.
- Когато използвате този продукт, двигателят създава електромагнитно поле. Електромагнитното поле може да предизвика повреда на медицински импланти. Говорете с Вашия лекар или с производителя на медицинския имплант, преди да започнете работа с продукта.
- Не позволявайте на деца да работят с продукта. Не позволявайте на лице, което не е запознато с инструкциите, да работи с продукта.
- Уверете се, че винаги наблюдавате лица с намален физически или умствен капацитет, които използват продукта. През цялото време трябва да присъства отговорен възрастен.
- Заклучете продукта в зона, до която нямат достъп деца и неодобрени лица.
- Възможно е от продукта да изхвърчат предмети и да причинят наранявания. Спазвайте инструкциите за безопасност, за да намалите опасността от нараняване или смърт.

- Не се отдалечавайте от продукта, когато двигателят работи.
- Операторът на продукта е отговорен при възникването на инцидент.
- Уверете се, че частите не са повредени, преди да използвате продукта.
- Уверете се, че сте на разстояние от най-малко 15 m (50 ft) от други лица или животни, преди да използвате продукта. Уверете се, че лицето в близост до Вас е наясно, че ще използвате продукта.
- Направете справка с националните или местните закони. Те биха могли да предотвратят или ограничат работата на продукта при определени условия.
- Не използвайте продукта, ако сте уморени или сте под въздействието на алкохол, наркотици или лекарства. Те могат да окажат въздействие върху Вашето зрение, бдителност, координация или преценка.
- Не използвайте продукта при лошо време (мъгла, дъжд, силни ветрове, опасност от светкавици или други метеорологични условия). Опасни условия (като хлъзгави повърхности) могат да възникнат поради лошо време.
- Уверете се, че можете да се движите свободно и да работите в стабилна позиция. (Фиг. 22 )
- Уверете се, че няма да паднете, когато използвате продукта. Не накланяйте при работа с продукта.
- Винаги дръжте продукта с двете си ръце. Дръжте продукта отдясно на тялото си. (Фиг. 23 )
- Работете с продукта с режещото оборудване под нивото на кръста.
- Ако смучаът е в положение "задействан смучач", когато запалите двигателя, режещото оборудване започва да се върти.
- Не докосвайте ъгловата зъбна предавка след спиране на двигателя. Ъгловата зъбна предавка е гореща след спиране на двигателя. Горещите зони могат да причинят нараняване.
- Спрете двигателя, преди да местите продукта.
- Не оставяйте продукта на земята, когато двигателят работи.
- Преди отстраняване на нежелани материали от продукта спрете двигателя и изчакайте, докато режещото оборудване спре. Изчакайте режещото оборудване да спре, преди Вие или Ваш помощник да отстраните изрязания материал.

## Инструкции за безопасност по време на работа

- Уверете се, че продуктът е напълно сглобен, преди да го използвате.
- Преди стартиране преместете продукта на 3 m (10 ft) от позицията, където сте заредили резервоара за гориво. Поставете продукта върху плоска повърхност. Уверете се, че режещото оборудване не влиза в допир с почвата или с други предмети.
- Продуктът може да предизвика изхвърляне на предмети, което може да доведе до увреждане на очите. Винаги използвайте одобрени защитни средства за очите, когато работите с продукта.
- Бъдете внимателни – близо до продукта може да се доближи дете без Вашето знание по време на работа.
- Не работете с продукта, ако има хора в работната зона. Спрете продукта, ако в работната зона влезе човек.
- Уверете се, че винаги имате контрол над продукта.
- Не използвайте продукта, ако не можете да получите помощ при възникването на инцидент. Винаги бъдете сигурни, че другите са наясно, че ще работите с продукта, преди да започнете работа с него.
- Не включвайте продукта, преди да се уверите, че хората и животните са в безопасната зона.
- Отстранете всички нежелани материали от работната зона, преди да започнете работа. Ако режещото оборудване се удари в предмет, той може да бъде изхвърлен и да доведе до нараняване или повреда. Нежеланите материали могат да се увият около режещото оборудване и да доведат до повреда.
- Винаги използвайте правилните лични предпазни средства, когато работите с продукта. Личните предпазни средства не елиминират опасността от нараняване. Личните предпазни средства намаляват степента на нараняване при възникването на инцидент.
- Винаги използвайте одобрени защитни средства за очите, когато работите с продукта.
- Не работете с продукта с голи крака или с отворени обувки. Винаги използвайте устойчиви на плъзгане ботуши за тежък режим на работа.
- Използвайте дълги панталони от здрав плат.
- Ако е необходимо, използвайте одобрени защитни ръкавици.
- Използвайте каска, ако е възможно, за да се предпазите от падащи на главата предмети.
- Винаги използвайте одобрени антифони, когато работите с продукта. Продължителният шум може да доведе до загуба на слуха, причина от шум.
- Уверете се, че близо до Вас има комплект за първа помощ.

## Лични предпазни средства

## Устройства за безопасност на продукта

- Уверете се, че редовно извършвате техническо обслужване на продукта.

- Срокът на експлоатация на продукта се увеличава.
- Рискът от злополука намалява.

Позволете на одобрен дилър или одобрен сервизен център да извършва редовна проверка на продукта за корекции или ремонтни дейности.

- Не използвайте продукт с повредени предпазни средства. Ако продуктът е повреден, се консултирайте с одобрен сервизен център.

## Блокировка на регулатор за газта

Блокировката на регулатора за газта заключава регулатора за газта.

(Фиг. 24 )

Натиснете блокировката на регулатора за газта (А), за да освободите регулатора за газта (В). Когато освободите ръкохватката, блокировката на регулатора за газта и самият регулатор за газта се връщат към първоначалните си позиции.

1. Уверете се, че регулаторът за газта (В) е заключен на празен ход, когато освободите блокировката на регулатора за газта (А).
2. Натиснете блокировката на регулатора за газта (А) и се уверете, че се връща в първоначална позиция, когато я освободите.
3. Натиснете регулатора за газта (В) и се уверете, че се връща в първоначална позиция, когато го освободите.

Запалете двигателя и подайте пълна газ. Освободете регулатора за газта и проверете дали режещото оборудване спира. Ако режещото оборудване се завърти, докато газта е в позиция на празен ход, проверете регулиращия винт на скоростта на празен ход на карбуратора.

## Превключвател за спиране

Стартирайте двигателя. Уверете се, че двигателят спира, когато преместите превключвателя за спиране в стоп позиция.

(Фиг. 25 )

## Предпазител на режещо оборудване

Предпазителят на режещото оборудване предотвратява изхвърляне на свободни предмети по посока на оператора.

(Фиг. 26 )

Проверете предпазителя на режещото оборудване за повреда и го сменете, ако е повреден. Използвайте само одобрен предпазител за режещото оборудване.

## Ауспук

- Не използвайте двигател с повреден ауспук. Повреденият ауспук повишава нивото на шума и риска от злополука. Съхранявайте наблизо пожарогасител.
- Редовно проверявайте дали ауспукът е закрепен към продукта.
- Не докосвайте двигателя или ауспука, когато двигателят е включен. Не докосвайте двигателя или ауспука известно време след спиране на двигателя. Горещите повърхности могат да причинят нараняване.
- Горещият ауспук може да причини пожар. Бъдете внимателни, ако използвате продукта близо до запалителни течности или изпарения.
- Не докосвайте частите в ауспука, ако е повреден. Частите могат да съдържат канцерогенни химикали.

## Режещо оборудване

- Извършвайте редовното техническо обслужване. Позволете на одобрен сервизен център да извършва редовна проверка на режещото оборудване за корекции или ремонтни дейности.
  - Производителността на режещото оборудване се повишава.
  - Срокът на експлоатация на режещото оборудване се повишава.
  - Рискът от злополука намалява.
- Използвайте само одобрен предпазител на режещо оборудване. За повече информация вижте *ТЕХНИЧЕСКИ ХАРАКТЕРИСТИКИ на страница 243*.
- Не използвайте повредено режещо оборудване.

## Тримерна глава за трева

- Не забравяйте да навиете кордата на тримера за трева здраво и равномерно около барабана, за да намалите вибрациите.
- Използвайте само одобрени тримерни глави за трева и корди на тример за трева. Вижте *ТЕХНИЧЕСКИ ХАРАКТЕРИСТИКИ на страница 243*.
- Използвайте корда на тример за трева с правилна дължина. Дългата корда на тример за трева използва повече мощност на двигателя в сравнение с късата корда на тример за глава.
- Уверете се, че резецът на предпазителя на режещото оборудване не е повреден.
- Потопете кордата на тримера за трева във вода в продължение на 2 дни, преди да закрепите кордата на тримера за трева към продукта. Това повишава срока на експлоатация на кордата на тримера за трева.

## Безопасност при работа с гориво

- Не включвайте продукта, ако върху него има гориво или моторно масло. Отстранете нежеланото гориво/масло и оставете продукта да изсъхне. Отстранете нежеланото гориво от продукта.
- Ако разлеете гориво по дрехите си, сменете ги незабавно.
- Внимавайте да не попадне гориво върху тялото Ви, това може да доведе до телесни увреждания. Ако гориво попадне върху тялото Ви, използвайте сапун и вода, за да го отстраните.
- Не стартирайте двигателя, ако разлеете масло или гориво върху продукта или тялото си.
- Не стартирайте продукта, ако от двигателя има теч. Проверявайте редовно двигателя за течове.
- Внимавайте с горивото. Горивото е запалимо, изпаренията са взривоопасни и могат да причинят телесни увреждания или смърт.
- Не вдишвайте горивните изпарения, това може да доведе до телесни увреждания. Уверете се, че има достатъчен въздушен поток.
- Не пушете близо до горивото или двигателя.
- Не поставяйте топли предмети близо до горивото или двигателя.
- Не добавяйте гориво, когато двигателят работи.
- Уверете се, че двигателят е изстинал преди зареждане с гориво.
- Преди зареждане с гориво отворете бавно капачката на резервоара за гориво и освободете внимателно налягането.
- Не добавяйте гориво към двигателя на закрито. Недостатъчният въздушен поток може да доведе

до нараняване или смърт поради задушаване или въглероден окис.

- Затегнете внимателно капачката на резервоара за гориво или може да възникне пожар.
- Преди да включите двигателя, преместете продукта на най-малко 3 m (10 ft) от мястото, където сте заредили резервоара.
- Не препълвайте резервоара за гориво.
- Уверете се, че няма течове, когато местите продукта или резервоара за гориво.
- Не поставяйте продукта или резервоара за гориво на място, където има открит огън, искри или постоянна малка горелка. Уверете се, че в зоната за съхранение няма открит огън.
- При преместване или съхранение на гориво използвайте само одобрени за целта контейнери.
- Изпразнете резервоара за гориво преди дългосрочно съхранение. Спазвайте местните закони за това къде да изхвърляте горивото.
- Почистете продукта преди дългосрочно съхранение.
- Отстранете проводника на запалителната свещ, преди да оставите продукта за съхранение, за да се уверите, че двигателят няма случайно да се включи.

## Инструкции за безопасност за поддръжка

- Ако не можете да регулирате оборотите на празния ход, за да накарате режещото оборудване да спре, консултирайте се с Вашия сервизен център. Не използвайте продукта, преди да е правилно регулиран или ремонтиран.

---

## МОНТАЖ

---



**ПРЕДУПРЕЖДЕНИЕ:** Прочетете главата за безопасност преди сглобяване на продукта.

### За да закрепите примковата ръкохватка

1. Закрепете примковата ръкохватка към двусекционния вал в съответствие с илюстрацията и затегнете.(Фиг. 27 )
2. Уверете се, че примковата ръкохватка е закрепена между стрелките на вала.

### За монтиране на двусекционния вал

1. Завъртете фиксатора, за да разхлабите съединението на двусекционния вал.(Фиг. 28 )
2. Подравнете маркера на двусекционния вал (A) със стрелката върху съединението на двусекционния вал (B).(Фиг. 29 )

3. Натиснете двусекционния вал в съединението на двусекционния вал, докато той се закрепи.(Фиг. 30 )
4. Уверете се, че сте затегнали фиксатора, преди да използвате продукта.(Фиг. 31 )

### За разглобяване на двусекционния вал

1. Завъртете фиксатора, за да разхлабите съединението на двусекционния вал.(Фиг. 32 )
2. Натиснете и задръжте бутона (C).(Фиг. 33 )  
Хванете края на двигателя и издърпайте вала извън съединението на вала.

## За сглобяване на режещото оборудване

### За да закрепите предпазителя на режещото оборудване и тримерната глава (прав вал)

1. Закрепете предпазителя на режещото оборудване (А) към двусекционния вал с помощта на болта (L).(Фиг. 34 ) Не забравяйте да използвате правилния предпазител за режещо оборудване и правилната тримерна глава.
2. Закрепете задвижващия диск (В) към изходния вал.
3. Завъртете изходния вал, докато отворът в задвижващия диск се изравни с отвора в корпуса на скоростната кутия.
4. Поставете малка отвертка (С) в отвора, за да блокирате двусекционния вал.(Фиг. 35 )

5. Завъртете тримерната глава (Н) обратно на часовниковата стрелка, за да затегнете тримерната глава към скоростната кутия. (Резби отляво.) (Фиг. 36 )

### За да закрепите предпазителя на режещото оборудване и тримерната глава (извит вал)

1. Поставете предпазителя.(Фиг. 37 ) Затегнете гайката.
2. Поставете чашката за прах върху двусекционния вал.(Фиг. 38 )
3. Задръжте прахоуловителната чашка с регулируем гаечен ключ, за да се уверите, че валът не се върти.
4. Закрепете тримерната глава към вала. Завъртете тримерната глава по часовниковата стрелка.

## РАБОТА



**ПРЕДУПРЕЖДЕНИЕ:** Прочетете и разберете раздела с инструкции за безопасност преди работа с продукта.

## Гориво

### Използване на гориво



**ВНИМАНИЕ:** Този продукт разполага с двутактов двигател. Използвайте смес от бензин и моторно масло за двутактови двигатели. Не забравяйте да използвате правилното количество от масло в сместа. Грешното съотношение между бензин и масло може да доведе до повреда на двигателя.

### Бензин



**ВНИМАНИЕ:** Не използвайте бензин с октаново число по-малко от 90 RON (87 AKI). Това може да повреди продукта.



**ВНИМАНИЕ:** Не използвайте бензин с повече от 10% концентрация на етанол (Е10). Това може да повреди продукта.

- Винаги използвайте пресен безоловен бензин с минимално октаново число от 90 RON (87 AKI) и с по-малко от 10% концентрация на етанол (Е10).
- Използвайте бензин с по-високо октаново число, ако често използвате продукта при постоянно високи обороти на двигателя.

### Масло за двутактови двигатели

- Използвайте само висококачествено масло за двутактови двигатели. Използвайте само моторно масло за двигатели с въздушно охлаждане.
- Не използвайте други типове масла.
- Съотношението за смесване 50:1 (2%)

Бензин	Масло
1 американски галон	77 ml (2,6 oz)
1 имперски галон	95 ml (3,2 oz)
5 l	100 ml (3,4 oz)

### За да направите горивната смес

**Забележка:** Винаги използвайте чист контейнер за гориво, когато смесвате горивото.

**Забележка:** Не правете повече от 30-дневно количество от горивна смес.

1. Добавете половината от бензиновата смес.
2. Добавете цялото количество масло.
3. Разклатете горивната смес, за да смесите съдържанието.
4. Добавете останалото количество бензин.
5. Разклатете горивната смес, за да смесите съдържанието.
6. Напълнете резервоара за гориво.



## За да добавите гориво

- Винаги използвайте резервоар за гориво с клапан против разливане.
- Ако върху резервоара има гориво, отстранете нежеланото гориво и оставете резервоара да изсъхне.
- Уверете се, че зоната близо до капачката на резервоара за гориво е чиста.
- Разклатете резервоара за гориво, преди да добавите горивната смес към резервоара за гориво.

## За стартиране и спиране

### Преди включване на двигателя

- Проверете продукта за липсващи, повредени, разхлабени или износени части.
- Проверете гайките, винтовете и болтовете.
- Проверете въздушния филтър.
- Проверете блокировката на спусъка на газта и самият спусък за правилна работа.
- Проверете превключвателя за спиране за правилна работа.
- Проверете продукта за теч на гориво.
- Проверете остротата и натягането на веригата за моторен триона.

### Включване при студен двигател

1. Натиснете подкачващата помпа 10 пъти.(Фиг. 39 )
2. Издърпайте смукача нагоре.(Фиг. 40 )
3. Задръжте корпуса на продукта на земята с лявата си ръка.(Фиг. 41 ) Не стъпвайте върху продукта. Издърпайте бавно дръжката на въжето на стартера, докато усетите известно съпротивление. След това издърпайте въжето за стартиране със сила.

**Забележка:** Не дърпайте регулатора за газта, докато стартирате двигателя.

4. Продължете да дърпате дръжката на въжето за стартиране, докато двигателя стартира или направи опит за стартиране (макс. 3 издърпвания). При включване или опит на двигателя да се включи, натиснете смукача надолу. Продължете да дърпате, докато двигателят запали. Изчакайте 60 секунди след стартиране, преди да издърпате регулатора за газта.



**ВНИМАНИЕ:** Не дърпайте въжето за стартиране, докато не спре. Не пускайте въжето за стартиране, когато е разтегнато докрай. Освободете бавно въжето на стартера. Неспазването на тези инструкции може да причини повреда на двигателя.

## За стартиране на топъл двигател

1. Натиснете подкачващата помпа 10 пъти.
2. Издърпайте въжето за стартиране, докато двигателят запали.

### Спиране на работа

- Натиснете превключвателя за спиране, за да спрете двигателя.(Фиг. 42 )

**Забележка:** Превключвателя за спиране автоматично се връща в първоначалното положение.

## За работа с тримера за трева



**ВНИМАНИЕ:** Не забравяйте да понижите оборотите на двигателя до обороти на празния ход след всяка експлоатация. Продължителната работа при пълна газ без натоварване на двигателя може да доведе до повреда на двигателя.

**Забележка:** Почистете капака на тримерната глава, когато монтирате нова корда на тример, за да предотвратите вибрации. Проверете другите части на тримерната глава и ги почистете, ако е необходимо.

### Кастрене на трева

1. Дръжте тримерната глава непосредствено над земята под ъгъл.(Фиг. 43 ) Не натискайте кордата на тримера за трева в тревата.
2. Намалете дължината на кордата на тримера за трева с 10 – 12 см (4 – 4,75 in) и намалете оборотите на двигателя, за да понижите опасността от увреждане на растенията.
3. Използвайте 80% газ, когато режете трева близо до обекти.(Фиг. 44 )

### Рязане на трева

1. Уверете се, че кордата на тримера за трева е успоредна на земята, когато режете.(Фиг. 45 )
2. Не натискайте тримерната глава към земята. Можете да повредите земята и продукта.
3. Не позволявайте на тримерната глава непрекъснато да докосва земята, това може да доведе до повреда на тримерната глава.
4. Използвайте пълна газ, когато местите продукта настрани за рязане на трева.(Фиг. 46 ) Уверете се, че кордата на тримера за трева е успоредна на земята.

## За смяна на кордата на тримера

- (Фиг. 47 )  
(Фиг. 48 )  
(Фиг. 49 )

(Фиг. 50 )  
(Фиг. 51 )  
(Фиг. 52 )

(Фиг. 53 )  
(Фиг. 54 )

## ТЕХНИЧЕСКО ОБСЛУЖВАНЕ



**ПРЕДУПРЕЖДЕНИЕ:** Прочетете и разберете раздела с инструкции за безопасност преди почистване, ремонтниране или техническо обслужване на продукта.

### График за техническо обслужване

Уверете се, че спазвате графика за техническо обслужване. Интервалите са изчислени от ежедневната употреба на продукта. Интервалите са различни, ако не използвате продукта всеки ден. Извършвайте само дейностите по техническо обслужване, които са описани в тази инструкция за експлоатация. Говорете с одобрен сервизен център относно други дейности по техническо обслужване, които не намирате в тази инструкция за експлоатация.

#### Седмично техническо обслужване

- Почистете външните повърхности.
- Проверете оборотите на празния ход.
- Проверете греста на ъгловата зъбна предавка (прав вал).

#### Месечно техническо обслужване

- Проверете дръжката на въжето за стартиране и въжето за стартиране.

#### Ежегодна поддръжка

- Проверете запалителната свещ.
- Нанесете грес върху края на задвижващата ос (двусекционен вал).
- Почистете външните повърхности на карбуратора и зоните около него.
- Почистете системата за охлаждане.
- Проверете искрогасителния екран.
- Проверете горивния филтър.
- Проверете маркуча за горивото за повреда.
- Проверете всички кабели и връзки.

#### Техническо обслужване на 50 часа

- Ремонтът или смяната на ауспуха трябва да се извършат от одобрен сервизен център.

### Регулиране на оборотите на празния ход

- Уверете се, че въздушният филтър е чист и капакът на въздушния филтър е закрепен, преди да регулирате оборотите на празния ход.
- Регулирайте оборотите на празния ход с регулиращия винт, означен със знака "Т".

- Оборотите на празния ход са правилни, когато двигателят работи плавно във всяко положение. Оборотите на празния ход трябва да бъдат под оборотите, при които режещото оборудване започва да се върти.

1. Завъртете регулиращия винт на оборотите по часовниковата стрелка, докато режещото оборудване започне да се върти. (Фиг. 55 )
2. Завъртете регулиращия винт на оборотите обратно на часовниковата стрелка, докато режещото оборудване спре.

### За да направите техническо обслужване на искрогасителния екран

Използвайте телена четка за почистване на искрогасителния екран. (Фиг. 56 )

### За почистване на системата за охлаждане

Почистете частите на системата за охлаждане с четка.

(Фиг. 57 )

### За проверка на запалителната свещ



**ВНИМАНИЕ:** Използвайте препоръчаната запалителна свещ. Уверете се, че резервната част е същата като предоставената от производителя част. Използването на запалителна свещ от неправилен тип може да повреди продукта.

1. Проверете запалителната свещ, когато:
  - a) мощността на двигателя е ниска.
  - b) двигателят не може да запали лесно.
  - c) двигателят не работи правилно при обороти на празния ход.
2. Ако не можете лесно да запалите или да работите с двигателя, проверете запалителната свещ за нежелани материали. За да намалите опасността от нежелани материали върху електродите на запалителната свещ:
  - a) уверете се, че оборотите на празния ход са правилно регулирани.
  - b) уверете се, че горивната смес е правилна.
  - c) уверете се, че въздушният филтър е чист.

3. Почистете запалителната свещ, ако е замърсена. Проверете, че разстоянието между електродите е правилно. (Фиг. 58 )
4. Подменете запалителната свещ, когато е необходимо.

## За да нанесете грес върху двусекционния вал

- Нанесете грес в края на задвижващата ос след всеки 30 часа работа. (Фиг. 59 )

## За да извършвате техническо обслужване на въздушния филтър

### Почистване на въздушния филтър

1. Свалете капака на въздушния филтър и самия въздушен филтър. (Фиг. 60 )
2. Почистете въздушния филтър с топла сапунена вода. Уверете се, че въздушният филтър е сух, преди да го монтирате.
3. Сменете въздушния филтър, ако е прекалено замърсен за пълно почистване. Винаги заменяйте повреден въздушен филтър.
4. Ако продуктът Ви разполага с пенест въздушен филтър, нанесете масло за въздушен филтър. Нанасяйте масло за въздушен филтър само върху пенест филтър. Не нанасяйте масло върху филтър Felt.

### За нанасяне на масло за въздушен филтър върху въздушния филтър



**ВНИМАНИЕ:** Винаги използвайте специално масло за въздушен филтър върху пенестите въздушни филтри. Не използвайте други типове масла.



**ПРЕДУПРЕЖДЕНИЕ:** Не нанасяйте масло върху тялото си.

1. Свалете капака на въздушния филтър и самия въздушен филтър. (Фиг. 61 )
2. Поставете въздушния филтър в найлонова торбичка.
3. Поставете маслото на въздушния филтър в найлоновата торбичка. (Фиг. 62 )
4. Натиснете найлоновата торбичка, за да се уверите, че маслото е нанесено равномерно върху въздушния филтър.
5. Натиснете въздушния филтър, докато е в торбичката, за да отстраните маслото за въздушния филтър, което не е необходимо. Отстранете въздушния филтър от торбичката.
6. Монтирайте въздушния филтър.

## За да добавите грес към ъгловата зъбна предавка

Уверете се, че ъгловата зъбна предавка е напълнена с 3/4 грес за ъглова зъбна предавка.

(Фиг. 63 )

## ТЕХНИЧЕСКИ ХАРАКТЕРИСТИКИ

	единица а	129C (A05328CCHV)	129L (A05328CSHV)	129LK (A05328CSHV)
<b>Спецификации на двигателя</b>				
Обем на цилиндъра	cm <sup>3</sup>	27,6	27,6	27,6
Разстояние между електродите	mm	0,5	0,5	0,5
Обем на резервоара за гориво	cm <sup>3</sup>	343	343	343
Обороти на празен ход	min <sup>-1</sup>	2800 – 3200	2800 – 3200	2800 – 3200
Максимални обороти	min <sup>-1</sup>	8000	8000	8000
Изходна мощност	kW	0,85	0,85	0,85

Запалителна свещ		Husqvarna HQT-4	Husqvarna HQT-4	Husqvarna HQT-4
Максимално въртене на изходния вал	min <sup>-1</sup>	8500	7200	7200
<b>Данни за шум и вибрации</b>				
Еквивалентно ниво на вибрациите (ahv, eq) лява дръжка – вижте забележка 1	m/s <sup>2</sup>	3,64	9,9	9,9
Еквивалентно ниво на вибрациите (ahv, eq) дясна дръжка – вижте забележка 1	m/s <sup>2</sup>	3,59	8,9	8,9
Ниво на звуковата мощност, гарантирана (L <sub>WA</sub> ) – вижте забележка 2	dB(A)	114	114	114
Ниво на звуковата мощност, измерена – вижте забележка 2	dB(A)	106	105	106
Ниво на звуково налягане при ухото на оператора – вижте забележка 3	dB(A)	93	95	95
<b>Размери на продукта</b>				
Тегло (без режещо оборудване)	kg	4,61	5,21	5,98
<p><b>Забележка 1:</b> Отчетените данни за еквивалентното ниво на вибрациите имат типична статистическа дисперсия (стандартно отклонение) от 1 m/s<sup>2</sup>.</p> <p><b>Забележка 2:</b> Шумови емисии в околната среда, измерени като звукова мощност (L<sub>WA</sub>) в съответствие с директива на ЕО 2000/14/ЕО. Отчетените нива на шума за машината са измерени с оригиналното режещо оборудване, което дава най-високото ниво. Разликата между гарантираното и измереното ниво на шума е в това, че гарантираното ниво на шума включва също и дисперсията в резултатите от измерването, както и вариациите между различните машини от един и същи модел в съответствие с Директива 2000/14/ЕО.</p> <p><b>Забележка 3:</b> Отчетените данни за еквивалентното ниво на звуковото налягане за машината имат типична статистическа дисперсия (стандартно отклонение) от 1 dB (A).</p>				

## ПРИНАДЛЕЖНОСТИ

<b>129C</b>		
<b>Одобрени приспособления</b>	<b>Тип</b>	<b>Предпазител на режещо оборудване</b>
Вал с резба (3/8 R)		
Тримерна глава	T25 (Ø 2,0 – 2,4 mm)	580 44 66-10
<b>129L, 129LK</b>		
<b>Одобрени приспособления</b>	<b>Тип</b>	<b>Предпазител на режещо оборудване</b>
Вал с резба (M10L)		
Тримерна глава	T25 (Ø 2,0 – 2,4 mm)	580 44 66-06

Допълнителни принадлежности	Тип	Използвайте с
Приставка за метла с вал	SR600	129LK
Приставка – ножици за кастрене на жив плет с двусекционен вал	HA850	129LK
Приставка за обрязване с двусекционен вал	EA850	129LK
Приставка трион с двусекционен вал	PA1100	129LK
Приставка култиватор с двусекционен вал	CA150	129LK
Приставка тример за трева с двусекционен вал	TA850	129LK
Приставка трион с двусекционен вал	PAX1100	129LK
Приставка трион с двусекционен вал	PAX730	129LK

## СЪДЪРЖАНИЕ НА ДЕКЛАРАЦИЯТА ЗА СЪОТВЕТВИЕ НА ЕС

Ние, Husqvarna AB, SE 561 82 Huskvarna, ШВЕЦИЯ, декларираме на своя собствена отговорност, че представеният продукт:

Описание	Бензинов тример за трева/храсторез
Марка	Husqvarna
Платформа/Вид/Модел	Платформа A05328CCHV, представя модел 129C  Платформа A05328CSHV, представя модел 129L и 129LK
Партида	Сериен номер, датиращ от 2013 г. и след това

В съответствие с Директива 2000/14/ЕО, приложение V, декларираните звукови стойности са посочени в раздела за технически характеристики на тази инструкция за експлоатация и в подписаната Декларация за съответствие на ЕО.

TÜV Rheinland N.A. извърши доброволен контрол от името на Husqvarna AB и изготви Сертификат за съответствие с Директива 2006/42/ЕО на Съвета относно машините.

Сертификатът, както е предвиден в подписаната Декларация за съответствие на ЕО, се прилага за всички места на производство и държави на произход, както е посочено на продукта.

Доставените бензинов тример за трева/храсторез съответстват на образеца, подложен на контрол.

отговаря напълно на следните директиви и регламенти на ЕС:

Директива/регламент	Описание
2006/42/ЕО	"относно машини"
2014/30/ЕС	"относно електромагнитната съвместимост"
2000/14/ЕО	"относно шума на открито"

Приложените хармонизирани стандарти и/или технически спецификации са следните: EN ISO 12100, EN ISO 11806-1, CISPR 12, ISO 14982

---

## CUPRINS

---

INTRODUCERE.....	246	DATE TEHNICE.....	253
SIGURANȚĂ.....	247	ACCESORII.....	254
ASAMBLAREA.....	250	CONȚINUTUL DECLARAȚIEI DE	
FUNCȚIONAREA.....	250	CONFORMITATE CE.....	255
ÎNȚEȚINEREA.....	252	.....	0

---

## INTRODUCERE

---

### Manualul operatorului

Limba originală a acestui manual al operatorului este engleză. Manualele operatorului în alte limbi reprezintă traduceri din limba engleză.

### Overview (Prezentare generală)

(Fig. 1 )

1. Cap de tuns
2. Capac dispozitiv de ungere
3. Angrenaj conic
4. Apărătoare pentru accesoriul de tăiere
5. Arbore
6. Cuplaj arbore
7. Mâner semicircular
8. Pârghie accelerație
9. Buton oprire
10. Element blocare pârghie accelerație
11. Pipă bujie, bujie
12. Carcasă demaror
13. Mâner pentru șnurul de pornire
14. Rezervor de combustibil
15. Capac filtru de aer
16. Pompă de amorsare
17. Acționare șoc
18. Disc de antrenare
19. Manualul operatorului

### Simbolurile de pe produs

(Fig. 2 ) Avertisment

(Fig. 3 ) Citiți acest manual.

(Fig. 4 ) Utilizați un sistem omologat de protecție capilară.

(Fig. 5 ) Utilizați un sistem omologat de protecție a auzului.

(Fig. 6 ) Utilizați ochelari de protecție omologați.

(Fig. 7 ) Utilizați mănuși de protecție omologate.

(Fig. 8 ) Utilizați pantofi/cizme de protecție.

(Fig. 9 ) Produsul poate determina proiectarea de obiecte, ceea ce poate conduce la leziuni oculare.

(Fig. 10 ) Produsul poate determina proiectarea de obiecte, ceea ce poate conduce la leziuni oculare.

(Fig. 11 ) Turația maximă a arborelui de ieșire.

(Fig. 12 ) Distanță sigură

(Fig. 13 ) Utilizați numai un fir de trimmer omologat. Nu utilizați o lamă.

(Fig. 14 ) Nu utilizați un accesoriu de tăiere din metal.

(Fig. 15 ) Asigurați-vă că părul lung este strâns deasupra umerilor.

(Fig. 16 ) Săgețile indică limitele de poziție a mânerului.

(Fig. 17 ) Nivel de putere acustică.

(Fig. 18 ) Nivel de zgomot

(Fig. 19 ) Produsul este în conformitate cu directivele CE aplicabile.

(Fig. 20 ) Produsul este în conformitate cu directivele EAC aplicabile.

(Fig. 21 ) Produsul este în conformitate cu directivele aplicabile în Ucraina.

---

**Nota:** Alte simboluri/autocolante de pe produs se referă la cerințele de certificare pentru alte zone comerciale.

---

## Răspunderea pentru produs

Conform prevederilor legislației privind răspunderea pentru produs, nu ne asumăm răspunderea pentru daunele cauzate de produsul nostru dacă:

- produsul este reparat necorespunzător.
- produsul este reparat cu piese care nu provin de la producător sau care nu sunt aprobate de acesta.
- produsul are un accesoriu care nu provine de la producător sau care nu este aprobat de acesta.
- produsul nu este reparat la un centru de service omologat sau de o autoritate omologată.

---

## SIGURANȚĂ

---

### Definiții privind siguranța

Definițiile de mai jos indică nivelul de gravitate pentru fiecare cuvânt de semnalizare.



**AVERTISMENT:** Vătămări corporale.



**ATENȚIE:** Deteriorarea produsului.

**Nota:** Aceste informații facilitează utilizarea produsului.

### Instrucțiuni generale de siguranță

- Utilizați produsul în mod corespunzător. Vătămările corporale sau decesul constituie un posibil rezultat al utilizării incorecte. Utilizați produsul numai pentru operațiile din acest manual. Nu utilizați produsul pentru alte sarcini.
- Respectați instrucțiunile din acest manual. Respectați simbolurile de siguranță și instrucțiunile de siguranță. Dacă operatorul nu respectă instrucțiunile și simbolurile, pot apărea vătămări corporale, daune materiale sau decese.
- Nu aruncați acest manual. Utilizați instrucțiunile pentru a asambla, a opera și a păstra produsul în stare bună. Utilizați instrucțiunile pentru instalarea corectă a accesoriilor. Utilizați numai accesorii aprobate.
- Nu utilizați un produs deteriorat. Respectați programul de întreținere. Efectuați numai operațiile de întreținere pentru care există instrucțiuni în acest manual. Un centru de service omologat trebuie să execute toate celelalte operații de întreținere.
- Acest manual nu poate include toate situațiile care pot apărea atunci când utilizați produsul. Procedați cu atenție și folosiți-vă simțul practic. Nu operați produsul și nu efectuați operații de întreținere la acesta dacă nu sunteți sigur cu privire la situație. Discutați cu un expert de produs, cu distribuitorul, cu agentul de service sau cu centrul de service omologat pentru informații.
- Deconectați cablul bujiei înainte de a asambla produsul, de a depozita produsul sau de a efectua operații de întreținere.
- Nu utilizați produsul dacă specificația sa inițială se modifică. Nu modificați o componentă a produsului fără aprobarea producătorului. Utilizați numai piese omologate de producător. Vătămările corporale sau decesul constituie un posibil rezultat al înținerii incorecte.
- Nu respirați în atmosfera cu vapori emiși de motor. Inhalarea pe termen lung a gazelor de eșapament constituie un risc pentru sănătate.
- Nu porniți produsul în interior sau în apropierea unor materiale inflamabile. Gazele de eșapament sunt fierbinți și pot conține scântei care pot declanșa incendii. Un flux de aer insuficient poate cauza vătămare corporală sau deces din cauza asfrierii sau a monoxidului de carbon.
- Când utilizați acest produs motorul generează un câmp electromagnetic. Câmpul electromagnetic poate cauza deteriorarea implanturilor medicale. Discutați cu medicul dvs. și cu producătorul implantului medical înainte de a opera produsul.
- Nu permiteți copiilor să utilizeze produsul. Nu permiteți unei persoane care nu cunoaște instrucțiunile să utilizeze produsul.
- Asigurați-vă că monitorizați permanent o persoană cu capacități fizice sau mentale reduse care utilizează produsul. Un adult responsabil trebuie să fie prezent în permanență.
- Încuiați produsul într-o zonă inaccesibilă copiilor și persoanelor neaprobate.
- Produsul poate proiecta obiecte și poate cauza vătămări corporale. Respectați instrucțiunile de siguranță, pentru a reduce pericolul de vătămări corporale sau de deces.
- Nu vă îndepărtați de produs atunci când motorul este pornit.
- În caz de accident, operatorul produsului este responsabil.
- Înainte de a utiliza produsul, asigurați-vă că piesele nu sunt deteriorate.
- Asigurați-vă că vă aflați la minimum 15 m (50 ft) distanță de alte persoane sau animale înainte de utiliza produsul. Asigurați-vă că o persoană din apropiere știe că urmează să utilizați produsul.
- Consultați legislația națională și locală. Aceasta poate interzice sau poate limita utilizarea produsului în unele situații.
- Nu utilizați produsul atunci când sunteți obosit sau dacă vă aflați sub influența alcoolului, drogurilor sau medicamentelor. Acestea vă pot influența negativ

vederea, vigilența, coordonarea mișcărilor sau discernământul.

## Instrucțiuni de siguranță pentru utilizare

- Înainte de a utiliza produsul, asigurați-vă că este complet asamblat.
- Înainte de a porni produsul, deplasați-l la 3 m (10 ft) distanță de punctul unde ați umplut rezervorul de carburant. Poziționați produsul pe o suprafață plană. Asigurați-vă că accesoriul de tăiere nu atinge solul sau alte obiecte.
- Produsul poate determina proiectarea de obiecte, ceea ce poate conduce la leziuni oculare. Când operați produsul, utilizați întotdeauna ochelari de protecție omologati.
- Fiți atent, copiii se pot apropia de produs, fără știrea dvs., în timpul funcționării.
- Nu utilizați produsul dacă se află persoane în zona de lucru. Opriti produsul dacă o persoană intră în zona de lucru.
- Asigurați-vă că aveți permanent control asupra produsului.
- Nu utilizați produsul dacă nu puteți primi ajutor în caz de accident. Asigurați-vă întotdeauna că alte persoane știu că veți utiliza produsul, înainte ca dvs. să începeți utilizarea produsului.
- Nu acționați produsul înainte de a vă asigura că nicio persoană și niciun animal nu se află în zona de siguranță.
- Înainte de a începe, eliminați toate materialele nedorite din zona de lucru. Dacă accesoriul de tăiere lovește un obiect, acesta poate fi proiectat și poate cauza vătămări corporale sau deteriorări. Materialele nedorite se pot înfășura în jurul accesoriului de tăiere și pot cauza deteriorări.
- Nu utilizați produsul în condiții meteorologice nefavorabile (ceață, ploaie, vânt puternic, pericol de descărcări electrice sau alte condiții meteo). Vremea nefavorabilă poate conduce la apariția de situații periculoase (de ex. suprafețe alunecoase).
- Asigurați-vă că vă puteți deplasa liber și că puteți lucra într-o poziție stabilă.

(Fig. 22)

- Asigurați-vă că nu puteți cădea în timp ce utilizați produsul. Nu înclinați produsul în timp ce-l utilizați.
- Țineți întotdeauna produsul cu ambele mâini. Țineți produsul pe partea dreaptă a corpului.

(Fig. 23)

- Operați produsul cu accesoriul de tăiere amplasat sub nivelul taliei.
- Dacă acționarea șocului se află în poziția clapetei de șoc la pornirea motorului, accesoriul de tăiere începe să se rotească.
- Nu atingeți angrenajul conic după oprirea motorului. După oprirea motorului, angrenajul conic este fierbinte. Suprafețele fierbinți pot provoca vătămări corporale.
- Opriti motorul înainte de a muta produsul.

- Nu așezați produsul jos cu motorul pornit.
- Înainte de a elimina materialele nedorite din produs, opriti motorul și așteptați oprirea accesoriului de tăiere. Lăsați accesoriul de tăiere să se oprească, înainte ca dvs. sau o persoană care vă ajută să eliminați materialul tăiat.

## Echipping individual de protecție

- Utilizați întotdeauna echipamentul individual de protecție atunci când operați produsul. Echipamentul individual de protecție nu elimină pericolul de vătămări corporale. Echipamentul individual de protecție reduce gravitatea vătămării corporale în cazul producerii unui accident.
- În timp ce operați produsul, utilizați întotdeauna ochelari de protecție omologati.
- Nu operați produsul desculț sau cu pantofi decupați. Utilizați întotdeauna ghetă pentru regim greu de lucru, rezistente la alunecare.
- Utilizați pantaloni lungi, groși.
- Dacă este necesar, utilizați mănuși de protecție omologate.
- Utilizați o cască dacă există riscul de a vă cădea obiecte în cap.
- În timp ce operați produsul, utilizați întotdeauna protecții pentru ureche omologate. Zgomotul prelungit poate cauza pierderea auzului indusă de zgomot.
- Asigurați-vă că aveți în apropiere o trusă de prim-ajutor.

## Dispozitive de protecție la produs

- Asigurați-vă că efectuați cu regularitate întreținerea produsului.
  - Durata de viață a produsului crește.
  - Riscul de accidente scade.

Permiteți unui distribuitor omologat sau unui centru de service omologat să examineze cu regularitate produsul, pentru a efectua reglaje sau reparații.

- Nu utilizați un produs cu echipamentul de protecție deteriorat. Dacă produsul este deteriorat, luați legătura cu un centru de service omologat.

## Element blocare pârghie accelerație

Elementul de blocare a pârghiei de accelerație blochează pârghia de accelerație.

(Fig. 24)

Împingeți elementul de blocare a pârghiei de accelerație (A) pentru a debloca pârghia de accelerație (B). La eliberarea mânerului, elementul de blocare a pârghiei de accelerație și pârghia de accelerație revin la pozițiile inițiale.

1. Asigurați-vă că pârghia de accelerație (B) este blocată la ralanti atunci când eliberați elementul de blocare a pârghiei de accelerație (A).



2. Împingeți elementul de blocare a pârghiei de accelerație (A) și asigurați-vă că revine la poziția inițială atunci când îl eliberați.
3. Împingeți pârghia de accelerație (A) și asigurați-vă că revine la poziția inițială atunci când o eliberați.

Porniți motorul și aplicați-i accelerație maximă. Eliberați pârghia de accelerație și verificați dacă accesoriul de tăiere se oprește. Dacă accesoriul de tăiere se rotește cu accelerația în poziția de ralanti, examinați șurubul de reglare a ralantiului de la carburator.

## Buton oprire

Porniți motorul. Asigurați-vă că motorul se oprește atunci când deplasați comutatorul de oprire în poziția de oprire.

(Fig. 25)

## Apărătoare pentru accesoriul de tăiere

Apărătoarea accesoriului de tăiere previne proiectarea unui obiect liber în direcția operatorului.

(Fig. 26)

Verificați integritatea apărătoarei accesoriului de tăiere și înlocuiți-o, dacă este deteriorată. Utilizați numai apărătoarea aprobată pentru accesoriul de tăiere.

## Eșapamentul

- Nu utilizați un motor cu un amortizor de zgomot deteriorat. Un amortizor de zgomot deteriorat determină creșterea nivelului de zgomot și a pericolului de incendiu. Păstrați un stingător de incendiu în apropiere.
- Verificați cu regularitate ca amortizorul de zgomot să fie atașat la produs.
- Nu atingeți motorul sau amortizorul de zgomot în timp ce motorul este pornit. Nu atingeți motorul sau amortizorul de zgomot pentru o perioadă după oprirea motorului. Zonele fierbinți pot provoca vătămări corporale.
- Un amortizor de zgomot fierbinte poate cauza incendii. Fiți atent dacă utilizați produsul în apropierea lichidelor inflamabile sau a vaporilor.
- Nu atingeți componente ale amortizorului de zgomot dacă acesta este deteriorat. Componentele pot conține materiale carcinogenice.

## Accesoriu de tăiere

- Efectuați întreținerea cu regularitate. Permiteți unui centru de service omologat să examineze cu regularitate accesoriul de tăiere, pentru a efectua reglaje sau reparații.
  - Performanțele accesoriului de tăiere se diminuează.
  - Durata de viață a accesoriului de tăiere crește.
  - Riscul de accidente scade.
- Utilizați numai o apărătoare omologată pentru accesoriul de tăiere. Pentru mai multe informații, consultați *DATE TEHNICE la pagina 253*.
- Nu utilizați un accesoriu de tăiere deteriorat.

## Cap de tuns iarbă

- Asigurați-vă că înfășurați strâns și în mod uniform firul de trimmer pentru iarbă în jurul tamburului, pentru reducerea vibrațiilor.
- Utilizați numai capete de tuns iarbă și fire de trimmer pentru iarbă omologate. Consultați *DATE TEHNICE la pagina 253*.
- Utilizați o lungime corectă a firului trimmerului de iarbă. Un fir de trimmer de iarbă lung utilizează mai multă putere a motorului decât un fir scurt.
- Asigurați-vă că freza de pe apărătoarea accesoriului de tăiere nu este deteriorată.
- Înmuiați firul de trimmer de iarbă în apă timp de 2 zile, înainte de a-l monta la produs. Aceasta determină o creștere a duratei de utilizare a firului de trimmer de iarbă.

## Reguli de siguranță referitoare la carburant

- Nu porniți produsul dacă pe acesta se află carburant sau ulei pentru motor. Îndepărtați carburantul/uleiul nedorit și lăsați produsul să se usuce. Îndepărtați carburantul nedorit din produs.
- Dacă vărsați carburantul pe îmbrăcăminte, schimbați imediat hainele.
- Nu vărsați carburantul pe corp - poate provoca vătămări corporale. Dacă vărsați carburant pe corp, utilizați apă și săpun pentru a elimina carburantul.
- Nu porniți motorul dacă vărsați ulei sau carburant pe produs sau pe corp.
- Nu porniți produsul dacă motorul prezintă scurgeri. Examinați cu regularitate motorul, pentru a identifica eventuale scurgeri.
- Manipulați cu atenție carburantul. Carburantul este inflamabil, vaporii sunt explozivi și pot cauza vătămări corporale sau deces.
- Nu respirați vaporii de carburant, se pot produce vătămări corporale. Asigurați-vă că fluxul de aer este suficient.
- Nu fumați în apropierea carburantului sau a motorului.
- Nu amplasați obiecte calde în apropierea carburantului sau a motorului.
- Nu adăugați carburant atunci când motorul este pornit.
- Asigurați-vă că motorul este rece înainte de a realimenta.
- Înainte de a realimenta, deschideți lent capacul rezervorului de carburant și eliberați cu atenție presiunea.
- Nu adăugați carburant la motor într-o zonă interioară. Un flux de aer insuficient poate cauza vătămare corporală sau deces din cauza asfrierii sau a monoxidului de carbon.
- Strângeți cu atenție capacul rezervorului de carburant; în caz contrar, se pot produce incendii.

- Înainte de pornire, mutați produsul la o distanță de minimum 3 m (10 ft) față de poziția unde ați umplut rezervorul.
- Nu introduceți prea mult carburant în rezervorul de carburant.
- Asigurați-vă că nu se pot produce scurgeri atunci când mutați produsul sau rezervorul de carburant.
- Nu poziționați produsul sau rezervorul de carburant în apropierea unei flăcări deschise, a scânteilor sau a unei lumini pilot. Asigurați-vă că în zona de depozitare nu se află flăcări deschise.
- Utilizați numai recipiente omologate atunci când mutați carburantul sau îl introduceți în spațiul de depozitare.
- Goliți rezervorul de carburant înainte de a-l depozita pe termen lung. Respectați legislația locală cu privire la locația de eliminare a carburantului.

- Curățați produsul înainte de depozitarea pe termen lung.
- Îndepărtați cablul bujei înainte de a introduce produsul în spațiul de depozitare, pentru a vă asigura că motorul nu pornește accidental.

## Instrucțiuni de siguranță pentru întreținere

- Dacă n puteți regla turația de mers în gol pentru a determina oprirea accesoriului de tăiere, contactați centrul de service. Nu utilizați produsul până când acesta nu a fost reglat sau reparat corect.

---

## ASAMBLAREA

---



**AVERTISMENT:** Citiți capitolul de siguranță înainte de asamblarea produsului.

### Pentru atașarea mânerului semicircular

1. Atașați mânerul semicircular la arbore în conformitate cu ilustrația și strângeți.(Fig. 27 )
2. Asigurați-vă că mânerul semicircular se cuplează între săgețile de pe arbore.

### Pentru asamblarea arborelui din două componente

1. Rotiți butonul, pentru a slăbi cuplajul arborelui.(Fig. 28 )
2. Aliniați umărul arborelui (A) cu săgeata de pe cuplajul arborelui (B).(Fig. 29 )
3. Împingeți arborele în cuplaj până la fixarea acestuia.(Fig. 30 )
4. Asigurați-vă că strângeți butonul înainte de a utiliza produsul.(Fig. 31 )

### Pentru dezasamblarea arborelui din două componente

1. Rotiți butonul, pentru a slăbi cuplajul arborelui.(Fig. 32 )
2. Țineți apăsat butonul (C).(Fig. 33 ) Țineți de capătul motorului și scoateți arborele din cuplajul acestuia.

### Pentru asamblarea accesoriului de tăiere

#### Pentru a monta apărătoarea accesoriului de tăiere și capul de tuns (arbore curbat)

1. Montați apărătoarea accesoriului de tăiere (A) pe arbore cu ajutorul bolțului (L).(Fig. 34 ) Asigurați-vă că utilizați apărătoarea corectă a accesoriului de tăiere și capul de tuns corespunzător.
2. Fixați discul de antrenare (B) pe arborele de ieșire.
3. Rotiți arborele de ieșire până când orificiul din discul de antrenare se aliniază cu orificiul din carcasa angrenajului.
4. Introduceți o șurubelniță mică (C) în orificiu, pentru a bloca arborele.(Fig. 35 )
5. Rotiți capul de tuns (H) în sens invers acelor de ceasornic, pentru a strânge capul de tuns pe cutia de viteze. (Filete stânga.)(Fig. 36 )

#### Pentru a monta apărătoarea accesoriului de tăiere și capul de tuns (arbore curbat)

1. Montați apărătoarea.(Fig. 37 ) Strângeți piulița.
2. Montați cupa antipraf pe arbore.(Fig. 38 )
3. Țineți cupa antipraf cu o cheie reglabilă, pentru a vă asigura că arborele nu se rotește.
4. Montați capul de tuns pe arbore. Rotiți capul de tuns în sensul acelor de ceasornic.

---

## FUNCȚIONAREA

---



**AVERTISMENT:** Citiți și înțelegeți capitolul referitor la siguranță înainte de utilizarea produsului.

## Carburant

### Pentru utilizarea carburantului



**ATENȚIE:** Acest produs este prevăzut cu motor în doi timpi. Utilizați un amestec de benzină și de ulei pentru motor în doi timpi. Asigurați-vă că utilizați cantitatea corectă de ulei în amestec. Un raport incorect între benzină și ulei poate cauza deteriorarea motorului.

### Benzină



**ATENȚIE:** Nu utilizați benzină cu o cifră octanică mai mică de 90 RON (87 AKI). Aceasta poate deteriora produsul.



**ATENȚIE:** Nu utilizați benzină cu o concentrație de etanol de peste 10% (E10). Aceasta poate deteriora produsul.

- Utilizați întotdeauna benzină fără plumb, cu o cifră octanică minimă de 90 RON (87 AKI) și cu o concentrație de etanol sub 10% (E10).
- Utilizați benzină cu o cifră octanică mai mare dacă utilizați frecvent produsul în mod continuu, la o turajă de motor ridicată.

### Ulei pentru motor în doi timpi

- Utilizați numai ulei de calitate pentru motor în doi timpi. Utilizați numai ulei pentru motor răcit cu aer.
- Nu utilizați alte tipuri de ulei.
- Raport de amestec 50:1 (2%)

Benzină	Ulei
1 galon S.U.A.	77 ml (2,6 oz)
1 galon Marea Britanie	95 ml (3,2 oz)
5 l	100 ml (3,4 oz)

### Pentru realizarea amestecului

**Nota:** Când amestecați combustibilului, utilizați întotdeauna un rezervor de carburant curat.

**Nota:** Nu realizați o cantitate de amestec pentru mai mult de 30 de zile.

1. Adăugați jumătate din cantitate de benzină.
2. Adăugați cantitatea completă de ulei.
3. Agitați amestecul, pentru amestecarea conținutului.
4. Adăugați cantitatea de benzină rămasă.
5. Agitați amestecul, pentru amestecarea conținutului.
6. Umpleți rezervorul de carburant.

### Pentru adăugarea de carburant

- Utilizați întotdeauna un rezervor de carburant cu supapă antivărsare.
- Dacă a rămas combustibil în recipient, îndepărtați carburantul nedorit și lăsați recipientul să se usuce.
- Asigurați-vă că zona din apropierea capacului rezervorului de carburant este curată.
- Scuturați rezervorul de carburant înainte de a adăuga amestecul în acesta.

### Pentru pornire și oprire

#### Înainte de pornirea motorului

- Examinați produsul pentru a identifica eventuale piese lipsă, deteriorate, slăbite sau uzate.
- Examinați piulițele, șuruburile și bolțurile.
- Examinați filtrul de aer.
- Verificați dacă zăvorul pârghiei de accelerație și controlul accelerației funcționează corespunzător.
- Verificați comutatorul de oprire pentru a vedea dacă funcționează corespunzător.
- Examinați produsul pentru scurgeri de carburant.
- Verificați dacă lanțul de ferăstrău este ascuțit și întins corect.

#### Pentru pornirea unui motor rece

1. Împingeți butonul de amorsare de 10 ori.(Fig. 39 )
2. Trageți în sus acționarea șocului.(Fig. 40 )
3. Țineți corpul produsului pe sol, cu mâna stângă.(Fig. 41 ) Nu călcați pe produs. Trageți încet de mânerul șnurului de pornire, până când simțiți o oarecare rezistență. Apoi, trageți puternic mânerul șnurului de pornire.

**Nota:** Nu trageți pârghia de accelerație în timp ce porniți motorul.

4. Continuați să trageți de mânerul șnurului de pornire până când motorul pornește sau încearcă să pornească (max. 3 trageri). Dacă motorul pornește sau încearcă să pornească, împingeți în jos acționarea șocului. Continuați să trageți până la pornirea motorului. Așteptați 60 de secunde după pornire înainte de a trage de pârghia de accelerație.



**ATENȚIE:** Nu trageți de șnurul de pornire înainte de oprirea acestuia. Nu eliberați șnurul de pornire când acesta este complet extins. Eliberați lent șnurul de pornire. Nerespectarea acestor instrucțiuni poate cauza deteriorarea motorului.

#### Pentru pornirea unui motor cald

1. Împingeți butonul de amorsare de 10 ori.
2. Trageți de șnurul de pornire până la pornirea motorului.

## Pentru oprire

- Apăsați pe comutatorul de oprire pentru a opri motorul.(Fig. 42 )

**Nota:** Comutatorul de oprire revine automat la poziția inițială.

## Pentru utilizarea trimmerului de iarbă



**ATENȚIE:** Asigurați-vă că motorul încetinește până la turația de mers în gol după fiecare utilizare. O perioadă îndelungată de accelerație maximă fără sarcină la motor poate deteriora motorul.

**Nota:** Curățați capacul capului de tuns atunci când montați un fir de trimmer nou, pentru a preveni vibrațiile. Examinați alte componente ale capului de tuns și curățați-le dacă este necesar.

## Pentru a tunde iarba

1. Țineți capul de tuns chiar deasupra solului, în poziție înclinată.(Fig. 43 ) Nu apăsați firul pentru iarbă al trimmerului în iarbă.
2. Reduceți lungimea firului pentru iarbă al trimmerului cu 10 - 12 cm (4 - 4,75 inch) și reduceți turația

motorului, pentru a reduce pericolul de deteriorare a plantelor.

3. Utilizați accelerația la 80 % când tundeți iarbă în apropierea unor obiecte.(Fig. 44 )

## Pentru a tăia iarba

1. Când tăiați, asigurați-vă că firul pentru iarbă al trimmerului este paralel cu solul.(Fig. 45 )
2. Nu împingeți capul de tuns în sol. Solul și produsul se pot deteriora.
3. Nu permiteți contactul continuu cu solul al capului de tuns, deoarece acesta din urmă se poate deteriora.
4. Utilizați accelerația maximă când întoarceți produsul de pe o parte pe alta pentru a tăia iarba.(Fig. 46 ) Asigurați-vă că firul pentru iarbă al trimmerului este paralel cu solul.

## Pentru a înlocui firul trimmerului

(Fig. 47 )  
(Fig. 48 )  
(Fig. 49 )  
(Fig. 50 )  
(Fig. 51 )  
(Fig. 52 )  
(Fig. 53 )  
(Fig. 54 )

# ÎNȚREȚINEREA



**AVERTISMENT:** Citiți și înțelegeți capitolul privind siguranța înainte de a efectua operații de curățare, reparație sau întreținere asupra produsului.

## Planificarea întreținerii

Respectați programul de întreținere. Intervalele sunt calculate considerând o utilizare zilnică a produsului. Intervalele sunt diferite dacă nu utilizați zilnic produsul. Efectuați numai operațiile de întreținere care se regăsesc în acest manual. Discutați cu un centru de service omologat cu privire la operații de întreținere care nu sunt menționate în acest manual.

### Întreținerea săptămânală

- Curățați suprafețele exterioare.
- Verificați turația de mers în gol.
- Verificați unsoarea angrenajului conic (arbore drept).

### Întreținerea lunară

- Verificați mânerul șnurului de pornire și șnurul propriu-zis.

### Întreținerea anuală

- Verificați bujia.
- Aplicați unsoare la capătul arborelui conducător (arbore din două componente).

- Curățați suprafețele exterioare ale carburatorului și zonele adiacente ale acesteia.
- Curățați sistemul de răcire.
- Verificați ecranul extincătorului de scânteii.
- Examinați filtrul de carburant.
- Verificați integritatea furtunului de carburant.
- Examinați toate cablurile și conexiunile.

### Întreținerea la 50 de ore

- Solicitați unui centru de service omologat repararea sau înlocuirea amortizorului de zgomot.

## Pentru reglarea turației de mers în gol

- Asigurați-vă că filtrul de aer este curat și că s-a executat montarea capacului filtrului de aer, înainte de a regla turația de mers în gol.
  - Reglați turația de mers în gol cu șurubul de reglare T, care este identificat cu marcajul „T”.
  - Turația de mers în gol este corectă când motorul funcționează uniform în toate pozițiile. Turația de mers în gol trebuie să fie sub valoarea la care accesoriul de tăiere începe să se rotească.
1. Rotiți șurubul de reglare a turației de mers în gol în sensul acelor de ceasornic, până când accesoriul de tăiere începe să se rotească.(Fig. 55 )

2. Rotiți șurubul de reglare a turației de mers în gol în sens contrar acelor de ceasornic până când accesoriul de tăiere se oprește.

## Pentru a efectua operații de întreținere la ecranul extingtorului de scânteie

Utilizați o perie de sârmă, pentru a curăța ecranul extingtorului de scânteie.  
(Fig. 56)

## Pentru a curăța sistemul de răcire

Curățați componentele sistemului de răcire cu o perie.  
(Fig. 57)

## Pentru a verifica bujia



**ATENȚIE:** Utilizați o bujie recomandată. Asigurați-vă că piesa de schimb coincide cu piesa recomandată de producător. O bujie incorectă poate cauza deteriorarea produsului.

1. Verificați bujia când:
  - a) puterea motorului este scăzută.
  - b) motorul pornește cu dificultate.
  - c) motorul nu funcționează corect la turația de mers în gol.
2. Dacă motorul pornește sau funcționează cu dificultate, verificați dacă bujia nu prezintă materiale nedorite. Pentru a reduce riscul prezenței materialelor nedorite la electrozii bujiei:
  - a) asigurați-vă că turația de mers în gol este reglată corect.
  - b) asigurați-vă că amestecul este corect.
  - c) asigurați-vă că filtrul de aer este curat.
3. Curățați bujia dacă este murdară. Verificați dacă apărătura electrozului este corectă.(Fig. 58 )
4. Înlocuiți bujia atunci când este necesar.

## Pentru a aplica unsoare la arborele din două componente

- Aplicați unsoare la capătul arborelui conducător după fiecare 30 de ore de funcționare.(Fig. 59 )

## Pentru a efectua întreținerea filtrului de aer

## Pentru a curăța filtrul de aer

1. Îndepărtați capacul filtrului de aer și scoateți filtrul de aer.(Fig. 60 )
2. Curățați filtrul de aer, folosind apă caldă cu săpun. Asigurați-vă că filtrul de aer este uscat, înainte de a-l instala.
3. Înlocuiți filtrul de aer dacă este prea murdar pentru a fi curățat în totalitate. Înlocuiți întotdeauna un filtru de aer deteriorat.
4. Dacă produsul dvs. dispune de un filtru de aer cu spumă, aplicați ulei pentru filtre de aer. Aplicați ulei pentru filtre de aer numai la un filtru cu spumă. Nu aplicați ulei pe un filtru din păslă.

## Pentru a aplica ulei pentru filtre de aer la filtrul de aer



**ATENȚIE:** Utilizați întotdeauna ulei special pentru filtre de aer la filtrele cu spumă. Nu utilizați alte tipuri de ulei.



**AVERTISMENT:** Nu lăsați uleiul să intre în contact cu corpul.

1. Îndepărtați capacul filtrului de aer și scoateți filtrul de aer.(Fig. 61 )
2. Introduceți filtrul de aer într-un recipient din plastic.
3. Introduceți uleiul pentru filtre de aer în recipientul din plastic.(Fig. 62 )
4. Apăsăți pe recipientul de plastic pentru a vă asigura că uleiul se distribuie egal pe filtrul de aer.
5. Apăsăți filtrul de aer aflat în recipient pentru a elimina uleiul pentru filtru de aer care nu este necesar. Scoateți filtrul de aer din recipient.
6. Instalați filtrul de aer.

## Pentru a adăuga unsoare la angrenajul conic

Verificați ca angrenajul conic să fie umplut în proporție de 3/4 cu unsoare pentru angrenaje conice.

(Fig. 63 )

## DATE TEHNICE

	unitate	<b>129C</b>	<b>129L</b>	<b>129LK</b>
		(A05328CCHV)	(A05328CSHV)	(A05328CSHV)

<b>Specificații motor</b>				
Cilindree	cm <sup>3</sup>	27,6	27,6	27,6
Apărătoare electrod	mm	0,5	0,5	0,5
Volum rezervor de carburant	cm <sup>3</sup>	343	343	343
Turație de mers în gol	min <sup>-1</sup>	2800 - 3200	2800 - 3200	2800 - 3200
Turație de ieșire maximă	min <sup>-1</sup>	8000	8000	8000
Randament de putere	kW	0,85	0,85	0,85
Bujia		Husqvarna HQT-4	Husqvarna HQT-4	Husqvarna HQT-4
Turație maximă arbore de ieșire	min <sup>-1</sup>	8500	7200	7200
<b>Date privind zgomotul și vibrațiile</b>				
Nivel de vibrații echivalent (ahv, eq) mânerul din stânga - consultați nota 1	m/s <sup>2</sup>	3,64	9,9	9,9
Nivel de vibrații echivalent (ahv, eq) mânerul din dreapta - consultați nota 1	m/s <sup>2</sup>	3,59	8,9	8,9
Nivel de putere acustică garantat (L <sub>WA</sub> ) - consultați nota 2	dB(A)	114	114	114
Nivel de putere acustică măsurat - consultați nota 2	dB(A)	106	105	106
Nivel de presiune sonoră la nivelul urechii operatorului - consultați nota 3	dB(A)	93	95	95
<b>Dimensiuni produse</b>				
Greutate (fără echipamentul de tăiere)	kg	4,61	5,21	5,98
<p><b>Nota 1:</b> Datele raportate pentru nivelul echivalent de vibrații includ o dispersie statistică tipică (abatere standard) de 1 m/s<sup>2</sup>.</p> <p><b>Nota 2:</b> Emisiile de zgomot în mediu măsurate ca putere acustică (L<sub>WA</sub>) în conformitate cu directiva CE 2000/14/CE. Nivelul de putere a sunetului raportat pentru aparat a fost măsurat cu accesoriul original de tăiere care emite cel mai ridicat nivel. Diferența dintre puterea garantată a sunetului și cea măsurată este aceea că puterea garantată a sunetului include, de asemenea, dispersia în rezultatul de măsurare și variațiile dintre diferitele aparate ale aceluiași model conform Directivei 2000/14/EC.</p> <p><b>Nota 3:</b> Datele raportate pentru nivelul echivalent de presiune a sunetului pentru dispozitiv includ o dispersie statistică tipică (deviere standard) de 1 dB (A).</p>				

## ACCESORII

<b>129C</b>		
<b>Accesorii aprobate</b>	<b>Tip</b>	<b>Apărătoare pentru accesoriul de tăiere</b>
Arbore filetat (3/8 R)		
Cap de tuns	T25 (Ø 2,0 - 2,4 mm)	580 44 66-10

129L, 129LK		
Accesorii aprobate	Tip	Apărătoare pentru accesoriul de tăiere
Arbore filetat (M10L)		
Cap de tuns	T25 (Ø 2,0 - 2,4 mm)	580 44 66-06

Accesorii opționale	Tip	Se utilizează cu
Accesoriu perie cu tijă	SR600	129LK
Accesoriu de tuns gardul viu cu tijă	HA850	129LK
Accesoriu de bordurare cu tijă	EA850	129LK
Accesoriu ferăstrău cu tijă	PA1100	129LK
Accesoriu cultivator cu tijă	CA150	129LK
Accesoriu de tuns iarbă cu tijă	TA850	129LK
Accesoriu ferăstrău cu tijă	PAX1100	129LK
Accesoriu ferăstrău cu tijă	PAX730	129LK

## CONȚINUTUL DECLARAȚIEI DE CONFORMITATE CE

Noi, Husqvarna AB, SE 561 82 Huskvarna, SUECIA, declarăm pe propria răspundere că produsul reprezentat:

Descriere	Trimmer/Motonealtă pentru iarbă, pe benzină
Marcă	Husqvarna
Platformă / Tip / Model	Platformă A05328CCHV, reprezentând modelul 129C  Platformă A05328CSHV, reprezentând modelele 129L și 129LK
Lot	Serie cu data 2013 și în continuare

respectă în totalitate următoarele directive și reglementări UE:

Directivă/Reglementare	Descriere
2006/42/CE	„privind utilajele”
2014/30/UE	„privind compatibilitatea electromagnetică”

Directivă/Reglementare	Descriere
2000/14/CE	„privind zgomotul exterior”

Standardele armonizate și/sau specificațiile tehnice aplicate sunt următoarele: EN ISO 12100, EN ISO 11806-1, CISPR 12, ISO 14982

În conformitate cu directiva 2000/14/CE, Anexa V, valorile sonore declarate sunt declarate în secțiunea Date tehnice a prezentului manual și în Declarația de conformitate CE semnată.

TÜV Rheinland N.A. a efectuat o examinare voluntară în numele Husqvarna AB, eliberând un certificat de conformitate cu directiva Consiliului CE 2006/42/CE privind utilajele.

Certificatul, furnizat în Declarația de conformitate CE semnată, se aplică pentru toate locațiile de fabricație și pentru toate țările de proveniență indicate pe produs.

Trimmerul / motonealta pe benzină pentru iarbă furnizat corespunde exemplului examinat.

## İçindekiler

GİRİŞ.....	256	TEKNİK VERİLER.....	263
EMNİYET.....	257	AKSESUARLAR.....	264
MONTAJ.....	259	AT UYUMLULUK BİLDİRİMİNİN İÇERİĞİ.....	264
KULLANIM.....	260	.....	0
BAKIM.....	262		

## GİRİŞ

### Kullanım kılavuzu

Bu kullanım kılavuzunun asıl dili İngilizcedir. Diğer dillerdeki kullanım kılavuzları İngilizceden çevrilmiştir.

### Genel bakış

(Şek. 1)

1. Biçici kafası
2. Yağ doldurma kapağı
3. Ayna dişli
4. Kesme donanımı koruyucusu
5. Mil
6. Şaft kavraması
7. Yarım daire şeklindeki tutamak
8. Gaz tetiği
9. Durdurma anahtarı
10. Gaz tetiği kilidi
11. Buji kapağı, buji
12. Çalıştırıcı muhafazası
13. Çalıştırma ipi tutma yeri
14. Yakıt tankı
15. Hava filtresi kapağı
16. Hava alma haznesi
17. Jikle kontrolü
18. Çalıştırma diskli
19. Kullanım kılavuzu

- Ürün, nesnelere fırlatılmasına neden olabilir; bu durum gözlere zarar verebilir. (Şek. 10)
- Çıkış milinin maksimum devri. (Şek. 11)
- Güvenli mesafe (Şek. 12)
- Yalnızca onaylı misine kullanın. Bıçak kullanmayın. (Şek. 13)
- Metal kesme donanımı kullanmayın. (Şek. 14)
- Uzun saçların omuzlarınızın üstünde toplandığından emin olun. (Şek. 15)
- Oklar, tutacağın konumunun sınırlarını gösterir. (Şek. 16)
- Ses gücü seviyesi. (Şek. 17)
- Gürültü düzeyi (Şek. 18)
- Ürün, geçerli AT direktiflerine uygundur. (Şek. 19)
- Ürün, geçerli EAC direktiflerine uygundur. (Şek. 20)
- Ürün, geçerli Ukrayna direktiflerine uygundur. (Şek. 21)

### Ürün üzerindeki semboller

- (Şek. 2) Uyarı
- (Şek. 3) Bu kullanma kılavuzunu okuyun.
- (Şek. 4) Onaylı kafa koruma ekipmanı kullanın.
- (Şek. 5) Onaylanmış kulak koruma ekipmanı kullanın.
- (Şek. 6) Onaylı koruyucu gözlük kullanın.
- (Şek. 7) Onaylı koruyucu eldiven kullanın.
- (Şek. 8) Koruyucu botlar/ayakkabılar kullanın.
- (Şek. 9) Ürün, nesnelere fırlatılmasına neden olabilir; bu durum gözlere zarar verebilir.

**Not:** Ürünün üzerindeki diğer semboller/etiketler, diğer ticari alanların sertifikalandırma gereklilikleri ile ilgilidir.

### Ürün sorumluluğu

Ürün sorumluluğu yasalarında belirtildiği üzere;

- ürünün hatalı bir şekilde onarılması,
- ürünün, üretici tarafından onaylanmayan veya üreticiden alınmayan parçalarla tamir edilmesi,
- üründe, üreticiden alınmayan veya üretici tarafından onaylanmayan bir aksesuar bulunması,



- ve ürünün, onaylı bir servis merkezinde veya yetkili bir kurum tarafından tamir edilmemesi durumunda oluşabilecek hasarlardan sorumlu değildir.

## EMNİYET

### Güvenlik tanımları

Aşağıdaki tanımlar, her bir sinyal kelimesinin önem derecesini belirtir.



**UYARI:** Yaralanma tehlikesi.



**DİKKAT:** Ürünün hasar görme tehlikesi.

**Not:** Bu bilgiler, ürünün kullanımını kolaylaştırır.

### Genel güvenlik talimatları

- Ürünü doğru şekilde kullanın. Yaralanma veya ölüm, hatalı kullanımın olası sonuçlarıdır. Ürünü, yalnızca bu kılavuzda belirtilen işler için kullanın. Ürünü başka işler için kullanmayın.
- Bu kılavuzdaki talimatlara uyun. Güvenlik sembollerine ve güvenlik talimatlarına uyun. Operatörün talimatlara ve sembollere uymaması yaralanma, hasar veya ölümlere sonuçlanabilir.
- Bu kılavuzu atmayın. Ürününüzü monte etmek, çalıştırmak ve iyi durumda tutmak için talimatlara başvurun. Atışmanların ve aksesuarların doğru kurulumu için talimatlara başvurun. Yalnızca onaylanmış atışmanları ve aksesuarları kullanın.
- Hasarlı ürünü kullanmayın. Bakım takvimine uyun. Yalnızca bu kılavuzda ilgili talimatı bulduğunuz bakım çalışmalarını gerçekleştirin. Diğer tüm bakım işlerini onaylı bir servis merkezi yapmalıdır.
- Bu kılavuz, ürünü kullanırken oluşabilecek tüm durumları kapsayamaz. Dikkatli olun ve sağduyunuzu kullanın. Durumdan emin değilseniz ürünü kullanmayın veya ürün üzerinde bakım yapmayın. Bilgi almak için bir ürün uzmanına, bayinize, servis noktasına veya onaylı servis merkezine danışın.
- Ürünü monte etmeden, saklamadan veya ürün üzerinde bakım yapmadan önce buji kablosunun bağlantısını kesin.
- Orijinal özellikleri değiştirilmişse ürünü kullanmayın. Üreticinin onayı olmadan ürünün bir parçasını değiştirmeyin. Yalnızca üretici tarafından onaylanmış parçaları kullanın. Hatalı bakım çalışmaları, yaralanma veya ölümlere sonuçlanabilir.
- Motordan çıkan dumanları solmayın. Motordan çıkan egzoz dumanlarını uzun süre solmak sağlık açısından risklidir.

- Ürünü kapalı yerlerde veya yanıcı maddelerin yakınında çalıştırmayın. Egzoz dumanları sıcaktır ve bir yangına neden olabilecek kıvılcımlar içerebilir. Nefessiz kalma veya karbon monoksit nedeniyle yeterli hava akışının olmaması yaralanmaya veya ölüme sebep olabilir.
- Bu ürünü kullandığınızda motor, elektromanyetik bir alan oluşturur. Elektromanyetik alan, tıbbi implantlara zarar verebilir. Ürünü kullanmadan önce doktorunuzla ve tıbbi implant üreticinizle iletişime geçin.
- Ürünü, bir çocuğun kullanımına izin vermeyin. Talimatlar hakkında bilgisi olmayan birinin ürünü çalıştırmasına izin vermeyin.
- Fiziksel veya zihinsel kapasitesi düşük olan bir kişi ürünü kullanırken daima gözetim altında tutun. Sorumluluk sahibi bir yetişkin her zaman orada olmalıdır.
- Ürünü, çocukların ve onaylanmayan kişilerin ulaşamayacağı bir yere kilitleyin.
- Ürün, nesnelere fırlatarak yaralanmaya sebep olabilir. Yaralanma veya ölüm riskini azaltmak için güvenlik talimatlarına uyun.
- Motor açıkken üründen uzaklaşmayın.
- Oluşabilecek kazalardan operatör sorumludur.
- Ürünü kullanmadan önce parçaların hasarlı olmadığından emin olun.
- Ürünü kullanmadan önce diğer insanlardan veya hayvanlardan en az 15 m (50 ft) uzakta olduğunuzdan emin olun. Etrafınızdaki bir kişinin ürünü kullanacağını bildiğinden emin olun.
- Ulusal veya yerel yasalara uyun. Bazı koşullarda bu yasalar, ürünün kullanımını önleyebilir veya kısıtlayabilir.
- Ürünü yorgunken veya alkol, uyuşturucu ya da ilaç etkisi altındayken kullanmayın. Bu maddeler; görmenizi, dikkatinizi, koordinasyonunuzu ya da karar alma yetinizi etkileyebilir.

### Kullanım için güvenlik talimatları

- Ürünü kullanmadan önce ürünün tamamen monte edildiğinden emin olun.
- Çalıştırmadan önce ürünü, yakıt tankını doldurduğunuz konumdan 3 m (10 ft) uzağa taşıyın. Ürünü düz bir yüzeye yerleştirin. Kesme donanımının yere veya diğer cisimlere temas etmediğinden emin olun.
- Ürün, nesnelere fırlatılmasına neden olabilir; bu durum gözle zarar verebilir. Ürünü kullanırken daima onaylı bir koruyucu gözlük takın.
- Dikkatli olun; çalışma sırasında bir çocuk siz fark etmeden ürüne yaklaşabilir.

- Çalışma alanında insanlar varsa ürünü çalıştırmayın. Çalışma alanına biri girerse ürünü durdurun.
- Her zaman ürünün kontrolünün sizde olduğundan emin olun.
- Bir kaza oluşması durumunda yardım alamayacak durumdaysanız ürünü kullanmayın. Her zaman ürünü kullanmaya başlamadan önce diğer kişilerin ürünü kullanacağınıza bildiğinden emin olun.
- Güvenlik alanında hiçbir insan veya hayvan bulunmadığından emin olmadan ürünle dönüş yapmayın.
- Çalışmaya başlamadan önce çalışma alanındaki tüm istenmeyen nesnelere kaldırın. Kesme donanımı bir nesneye çarparsa nesne fırlatabilir ve yaralanmaya sebep olabilir. İstenmeyen nesnelere, kesme donanımının etrafına dolanabilir ve hasara neden olabilir.
- Kötü hava koşullarında (sis, yağmur, kuvvetli rüzgar, yıldırım düşme riski veya diğer hava koşulları) ürünü kullanmayın. Kötü hava nedeniyle tehlikeli koşullar (örn. kaygan yüzeyler) oluşabilir.
- Rahatça hareket edebildiğinizden ve dengeli bir pozisyonda çalışabildiğinizden emin olun.

(Şek. 22 )

- Ürünü kullanırken düşme ihtimaliniz olmadığından emin olun. Ürünü kullanırken eğilmeyin.
- Ürünü daima iki elinizle tutun. Ürünü vücudunuzun sağ tarafında tutun.

(Şek. 23 )

- Ürünü, kesme donanımı bel hizanızın altında kalacak şekilde kullanın.
- Jikle kontrolü, motor başladığında jikle konumdaysa kesme donanımı dönmeye başlar.
- Motor durduktan sonra ayna dışıye dokunmayın. Ayna dışı, motor durduktan sonra sıcak olur. Sıcak bölgeler yaralanmaya sebep olabilir.
- Ürünü taşımadan önce motoru durdurun.
- Motor açıkken ürünü yere koymayın.
- Üründeki istenmeyen malzemeleri çıkarmadan önce motoru durdurun ve kesme donanımının durmasını bekleyin. Siz veya bir yardımcı kesilen malzemeleri temizlemeden önce kesme donanımının durmasını bekleyin.

## Kişisel koruyucu ekipman

- Ürünü kullanırken her zaman uygun kişisel koruyucu ekipmanlar kullanın. Kişisel koruyucu ekipmanlar yaralanma riskini ortadan kaldırmaz. Kişisel koruyucu ekipmanlar, bir kaza oluşması durumunda yaralanma derecesini azaltır.
- Ürünü kullanırken daima onaylı bir koruyucu gözlük kullanın.
- Ürünü çıplak ayakla veya açık ayakkabılarla kullanmayın. Her zaman ağır hizmet tipi kaymayan botlar giyin.
- Kalın, uzun pantolonlar giyin.
- Gerekliyse onaylı koruyucu eldivenler takın.

- Nesnelere kafanıza düşme riski varsa bir baret kullanın.
- Ürünü kullanırken daima onaylı bir koruyucu kulaklık takın. Uzun süre boyunca gürültüye maruz kalmak gürültüye bağlı işitme kaybına neden olabilir.
- Yakınızdaki bir ilk yardım kiti bulunduğundan emin olun.

## Ürün üzerindeki koruyucu cihazlar

- Ürünün bakımını düzenli olarak yaptığınızdan emin olun.
  - Ürünün kullanım ömrü artar.
  - Kaza riski azalır.

Ürün üzerinde ayarlama veya onarım yapılması için düzenli olarak ürünün onaylı bir bayi veya onaylı bir servis merkezi tarafından incelenmesini sağlayın.

- Ürünü, hasarlı koruyucu ekipmanla kullanmayın. Ürün hasar görürse onaylı bir servis merkeziyle görüşün.

## Gaz tetiği kilidi

Gaz tetiği kilidi, gaz tetiğini kilitlet.

(Şek. 24 )

Gaz tetiğini (B) serbest bırakmak için gaz tetiği kilidine (A) basın. Kolu serbest bıraktığınızda gaz tetiği kilidi ve gaz tetiği ilk konumuna geri döner.

1. Gaz tetiği kilidini (A) serbest bıraktığınızda gaz tetiğinin (B) rölaniti konumunda kilitletiğinden emin olun.
2. Gaz tetiği kilidine (A) basın ve kilidi serbest bıraktığınızda ilk konumuna döndüğünden emin olun.
3. Gaz tetiğine (B) basın ve tetiği serbest bıraktığınızda ilk konumuna döndüğünden emin olun.

Motoru çalıştırın ve tam gaz verin. Gaz tetiğini serbest bırakın ve kesme donanımının durup durmadığını kontrol edin. Gaz, rölaniti konumundayken kesme donanımı dönüyorsa karbüratörün rölaniti ayar vidasını inceleyin.

## Durdurma anahtarı

Motoru başlatın. Durdurma anahtarını durma konumuna getirdiğinizde motorun durduğundan emin olun.

(Şek. 25 )

## Kesme donanımı koruyucusu

Kesme donanımı siperliği, nesnelere operatöre doğru fırlatılmasını engeller.

(Şek. 26 )

Kesme donanımı siperliğinde hasar olup olmadığını kontrol edin ve hasarlıysa siperliği değiştirin. Yalnızca onaylı kesme donanımı siperliğini kullanın.

## Susturucu

- Susturucusu hasar görmüş motor kullanmayın. Hasarlı bir susturucu, gürültü düzeyini ve yangın

- riskini artırır. Yakında bir yangın söndürücü bulundurun.
- Susturucunun ürüne takılı olup olmadığını düzenli olarak kontrol edin.
- Motor açıkken motora veya susturucuya dokunmayın. Motor durduktan sonra motora veya susturucuya bir süre boyunca dokunmayın. Sıcak yüzeyler yaralanmalara sebep olabilir.
- Sıcak susturucu yangına neden olabilir. Ürünü yanıcı sıvıların veya dumanların yakınında kullanırken dikkatli olun.
- Susturucu hasar görmüşse susturucudaki parçalara dokunmayın. Parçalar kanserojen kimyasallar içerebilir.

## Kesme donanımı

- Düzenli olarak bakım yapın. Ayarlama veya onarım yapılması için düzenli olarak kesme donanımının onaylı bir servis merkezi tarafından incelenmesini sağlayın.
  - Kesme donanımının performansı artar.
  - Kesme donanımının kullanım ömrü uzar.
  - Kaza riski azalır.
- Yalnızca onaylı bir kesme donanımı siperliği kullanın. Daha fazla bilgi için bkz. *TEKNİK VERİLER sayfa: 263*.
- Hasarlı kesme donanımı kullanmayın.

## Misina kafa

- Titreşimi azaltmak için misinayı tamburun etrafına sıkıca ve eşit şekilde sardığınızdan emin olun.
- Yalnızca onaylı misina kafa ve misina kullanın. Bkz. *TEKNİK VERİLER sayfa: 263*.
- Uygun uzunlukta misina kullanın. Uzun misinalar, kısa misinalardan daha fazla motor gücü tüketir.
- Kesme donanımı siperliği üzerindeki testerenin hasarlı olmadığından emin olun.
- Misinayı ürüne takmadan önce 2 gün boyunca suda bekletin. Bu, misinanın kullanım ömrünü uzatır.

## Yakıt güvenliği

- Ürünün üzerinde yakıt veya motor yağı varsa ürünü çalıştırmayın. İstenmeyen yakıtı/yağı temizleyin ve ürünün kurumasını bekleyin. Üründeki istenmeyen yakıtı temizleyin.
- Kıyafetlerinize yakıt bulaşırsa kıyafetlerinizi hemen değiştirin.
- Vücudunuza yakıt bulaştırmayın; bu, yaralanmaya sebep olabilir. Vücudunuza yakıt bulaşırsa yakıtı temizlemek için su ve sabun kullanın.

- Ürüne ya da vücudunuza yağ veya yakıt dökerseniz motoru çalıştırmayın.
- Motorda sızıntı varsa ürünü çalıştırmayın. Motorda sızıntı olup olmadığını düzenli olarak kontrol edin.
- Yakıtla uğraşırken dikkatli olun. Yakıt yanıcı ve dumanlar patlayıcıdır; yaralanmalara veya ölüme sebep olabilir.
- Yaralanmaya sebep olabileceğinden yakıt dumanını solamayın. Yeterli hava akışı olduğundan emin olun.
- Yakıtın veya motorun yakınında sigara içmeyin.
- Yakıtın veya motorun yakınına sıcak nesnelere koymayın.
- Motor açıkken yakıt eklemeyin.
- Yakıtı yenilemeden önce motorun soğuduğundan emin olun.
- Yakıtı yenilemeden önce yakıt tankı kapağını yavaşça açın ve basıncı dikkatlice tahliye edin.
- Kapalı bir alanda motora yakıt eklemeyin. Nefessiz kalma veya karbon monoksit nedeniyle yeterli hava akışının olmaması yaralanmaya veya ölüme sebep olabilir.
- Yakıt tankı kapağını dikkatlice sıkın; aksi takdirde yangın çıkabilir.
- Çalıştırmadan önce ürünü, yakıt tankını doldurduğunuz konumdan en az 3 m (10 ft) uzağa taşıyın.
- Yakıt tankına çok fazla yakıt doldurmayın.
- Ürünü veya yakıt konteynerini taşıırken sızıntı olmadığından emin olun.
- Ürünü veya bir yakıt konteynerini açık ateşin, kıvılcımın veya pilot alevinin olduğu bir alana koymayın. Depolama alanında açık alev olmadığından emin olun.
- Yakıtı taşıırken veya depolarken yalnızca onaylı konteynerleri kullanın.
- Ürünü uzun süre saklamadan önce yakıt tankını boşaltın. Yakıtın nereye atılacağı konusunda yerel yasalara uyun.
- Ürünü uzun süre saklamadan önce temizleyin.
- Motorun kazara çalışmasını engellemek için ürünü saklamadan önce buji kablosunu çıkarın.

## Bakım için güvenlik talimatları

- Kesme donanımını durdurmak için rölantiyi ayarlayamıyorsanız servis merkezine görüşün. Ürün, doğru şekilde ayarlanana veya onarılan kadar ürünü kullanmayın.

## MONTAJ



**UYARI:** Ürünü monte etmeden önce güvenlik bölümünü okuyun.

## Yarım daire şeklindeki tutamağın takılması

1. Resme uyarak yarım daire şeklindeki tutamağı mile takın ve sıkın.(Şek. 27 )
2. Yarım daire şeklindeki tutamağın mil üstündeki okların arasına takıldığından emin olun.

## İki parçalı mili monte etme

1. Mil bağlantısını gevşetmek için düğmeyi çevirin.(Şek. 28 )
2. Milin tırnağını (A) mil bağlantısındaki ok (B) ile hizalayın.(Şek. 29 )
3. Mili, mil takılana kadar mil bağlantısına itin.(Şek. 30 )
4. Ürünü kullanmadan önce düğmeyi sıkıtığınızdan emin olun.(Şek. 31 )

## İki parçalı milin sökülmesi

1. Mil bağlantısını gevşetmek için düğmeyi çevirin.(Şek. 32 )
2. (C) düğmesine basıp basılı tutun.(Şek. 33 ) Motor ucunu tutun ve mili, mil bağlantısından çekin.

## Kesme donanımının monte edilmesi

### Kesme donanımı siperliğinin ve misina kafanın (düz mil) takılması

1. Kesme donanımı siperliğini (A), civata (L) ile mile takın.(Şek. 34 ) Doğru kesme donanımı siperliğini ve misina kafayı kullandığınızdan emin olun.

2. Çalıştırma diskini (B) çıkış mili üzerine takın.
3. Çalıştırma diskindeki delik, dişli kovanındaki delikle hizalanıncaya kadar çıkış milini döndürün.
4. Mili kilitlemek için deliğe küçük bir tornavida (C) yerleştirin.(Şek. 35 )
5. Misina kafayı (H) dişli kutusuna sıkarak sabitlemek için saat yönünün tersine döndürün. (Soldan dışı.) (Şek. 36 )

### Kesme donanımı siperliğinin ve misina kafanın (kavisli mil) takılması

1. Siperliği takın.(Şek. 37 ) Somunu sıkın.
2. Toz kapağını mile takın.(Şek. 38 )
3. Milin dönmediğinden emin olmak için toz kapağını ayarlanabilir bir İngiliz anahtarıyla tutun.
4. Misina kafayı mile takın. Misina kafayı saat yönünde döndürün.

## KULLANIM



**UYARI:** Ürünü kullanmadan önce güvenlik bölümünü okuyup anlayın.

## Yakıt

### Yakıtın kullanılması



**DİKKAT:** Bu üründe iki devirli motor bulunur. Benzin ve iki devirli motor yağı karışımı kullanın. Karışımda doğru miktarda yağ kullandığınızdan emin olun. Yanlış benzin ve yağ oranı motora zarar verebilir.

## Benzin



**DİKKAT:** Oktan numarası 90 RON (87 AKI) değerinin altında olan benzin kullanmayın. Bu, üründe hasara neden olabilir.



**DİKKAT:** %10'dan fazla etanol konsantrasyonu (E10) içeren benzin

kullanmayın. Bu, üründe hasara neden olabilir.

- Her zaman minimum 90 RON (87 AKI) oktan numarasına sahip ve %10'dan az etanol konsantrasyonu (E10) içeren yeni kurşunsuz benzin kullanın.
- Ürünü sık sık ve sürekli olarak yüksek motor devrinde kullanıyorsanız daha yüksek oktan numarasına sahip benzin kullanın.

### İki devirli motor yağı

- Yalnızca yüksek kaliteli iki devirli motor yağı kullanın. Yalnızca hava soğutmalı motor yağı kullanın.
- Diğer yağ türlerini kullanmayın.
- Karışım oranı 50:1'dir (%2)

Benzin	Yağ
1 ABD Gal.	77 ml (2,6 oz)
1 BK Gal.	95 ml (3,2 oz)
5 l	100 ml (3,4 oz)

## Yakıt karışımının hazırlanması

**Not:** Yakıt karıştırırken daima temiz bir yakıt konteyneri kullanın.

**Not:** 30 gün içinde tüketilemeyecek miktarda yakıt karışımı hazırlamayın.

1. Benzin miktarının yarısını ekleyin.
2. Yağ miktarının tümünü ekleyin.
3. İçeriğin karışması için yakıt karışımını çalkalayın.
4. Kalan benzin miktarını ekleyin.
5. İçeriğin karışması için yakıt karışımını çalkalayın.
6. Yakıt tankını doldurun.

## Yakıtın eklenmesi

- Her zaman sıçratma karşıtı valfi olan bir yakıt konteyneri kullanın.
- Konteynerde yakıt varsa istenmeyen yakıtı boşaltın ve konteynerin kurumasını bekleyin.
- Yakıt tankı kapağının etrafındaki bölgenin temiz olduğundan emin olun.
- Yakıt karışımını yakıt tankına eklemeyen önce yakıt konteynerini çalkalayın.

## Çalıştırma ve durdurma

### Motoru çalıştırmadan önce

- Üründe eksik, hasarlı, gevşek veya aşınmış parçalar olup olmadığını kontrol edin.
- Somun, vida ve civataları kontrol edin.
- Hava filtresini kontrol edin.
- Gaz tetiği kilidinin ve gaz kontrolünün düzgün çalışıp çalışmadığını kontrol edin.
- Durdurma düğmesinin düzgün çalışıp çalışmadığını kontrol edin.
- Üründe yakıt sızıntısı olup olmadığını kontrol edin.
- Testere zincirinin keskinlik ve gerginliğini kontrol edin.

### Soğuk motoru çalıştırma

1. Primer ampulüne 10 kez basın.(Şek. 39 )
2. Jikle kontrolünü yukarı doğru çekin.(Şek. 40 )
3. Sol elinizle ürünün gövdesini zeminin üzerinde tutun.(Şek. 41 ) Ürünün üstüne basmayın. Biraz direnç hissedene kadar çalıştırma ipi kolunu yavaşça çekin. Daha sonra çalıştırma ipi tutacağını güçlü bir şekilde çekin.

**Not:** Motoru çalıştırırken gaz tetiğini çekmeyin.

4. Motor çalışana veya çalışmayı deneyene kadar çalıştırma ipi tutacağını çekmeye devam edin (maksimum 3 kere çekin). Motor çalışırsa veya çalışmayı denerse jikle kontrolünü aşağı doğru itin. Motor çalışana kadar çekmeye devam edin. Motor

çalıştıktan sonra gaz tetiğini çekmeden önce 60 saniye bekleyin.



**DİKKAT:** Motor durana kadar çalıştırma ipini çekmeyin. Tamamen çekilmiş durumdayken çalıştırma ipini bırakmayın. Çalıştırma ipini yavaşça serbest bırakın. Bu talimatlara uyulmaması motora zarar verebilir.

## Sıcak motoru çalıştırma

1. Primer ampulüne 10 kez basın.
2. Motor çalışana kadar çalıştırma ipini çekin.

## Motorun durdurulması

- Motoru durdurmak için durdurma anahtarına basın.(Şek. 42 )

**Not:** Durdurma düğmesi, otomatik olarak ilk konumuna geri döner.

## Çim budayıcının kullanılması



**DİKKAT:** Her kullanımdan sonra motoru yavaşlatarak rölantri devrine aldığınızdan emin olun. Motor üzerinde yük olmadan uzun süre tam gazda çalıştırmak motora zarar verebilir.

**Not:** Titreşimleri önlemek için yeni bir misina taktığınızda misina kafanın kapağını temizleyin. Misina kafanın diğer parçalarını kontrol edin ve gerekiyorsa temizleyin.

## Çim düzeltme

1. Misina kafayı zemin yüzeyinin hemen üstünde bir açı ile tutun.(Şek. 43 ) Misinayı çime bastırmayın.
2. Bitkilere zarar gelme riskini azaltmak için misina uzunluğunu 10-12 cm (4-4,75 inç) kadar kısaltın ve motor devrini düşürün.
3. Nesnelere yakınında çim keserken %80 oranında gaz kullanın.(Şek. 44 )

## Çim kesme

1. Çim keserken çim misinasının zemine paralel olduğundan emin olun.(Şek. 45 )
2. Misina kafayı zemine bastırmayın. Zemin ve ürün zarar görebilir.
3. Misina kafanın zemine sürekli olarak değmesine izin vermeyin; bu, misina kafaya zarar verebilir.
4. Ürünü bir yandan bir yana hareket ettirerek çim keserken tam gaz kullanın.(Şek. 46 ) Misinanın zemine paralel olduğundan emin olun.

## Misinanın değiştirilmesi

(Şek. 47 )  
(Şek. 48 )

(Şek. 49 )  
(Şek. 50 )  
(Şek. 51 )

(Şek. 52 )  
(Şek. 53 )  
(Şek. 54 )

## BAKIM



**UYARI:** Ürünü temizlemeden, ürün üzerinde onarım veya bakım işlemi yapmadan önce güvenlik bölümünü okuyup anlayın.

### Bakım takvimi

Bakım takvimine uyduğunuzdan emin olun. Bakım aralıkları, ürünün günlük kullanımına göre hesaplanır. Ürünü her gün kullanmıyorsanız aralıklar farklı olur. Yalnızca bu kılavuzda bulunan bakım çalışmalarını gerçekleştirin. Bu kılavuzda bulunmayan diğer bakım çalışmaları için onaylı bir servis merkeziyle görüşün.

#### Haftalık bakım

- Dış yüzeyleri temizleyin.
- Rölantiyi kontrol edin.
- Ayna dişli gresini (düz mil) kontrol edin.

#### Aylık bakım

- Çalıştırma ipi tutacağını ve çalıştırma ipini kontrol edin.

#### Yıllık bakım

- Bujiyi kontrol edin.
- Hareket milinin (iki parçalı mil) ucuna gres uygulayın.
- Karbüratörün dış yüzeylerini ve yanındaki alanları temizleyin.
- Soğutma sistemini temizleyin.
- Kıvılcım önleyici siperliği kontrol edin.
- Yakıt filtresini kontrol edin.
- Yakıt hortumunda hasar olup olmadığını kontrol edin.
- Tüm kabloları ve bağlantıları kontrol edin.

#### 50 saatlik bakım

- Susturucunun onarımını veya değişimini onaylı bir servis merkezine yaptırın.

### Rölantinin ayarlanması

- Rölantiyi ayarlamadan önce hava filtresinin temiz ve hava filtresi kapağının takılı olduğundan emin olun.
  - "T" işaretiyle belirtilmiş rölanti T ayar vidası ile rölantiyi ayarlayın.
  - Motorun her konumda sorunsuz çalışması rölantinin doğru ayarlandığı anlamına gelir. Kesme donanımı dönmeye başladığında rölanti, devirden düşük olmalıdır.
1. Kesme donanımı dönmeye başlayana kadar rölanti ayar vidasını saat yönünde döndürün. (Şek. 55 )
  2. Kesme donanımı durana kadar rölanti ayar vidasını saat yönünün tersine döndürün.

### Kıvılcım önleyici siperliğin bakımı

Kıvılcım önleyici siperliği temizlemek için bir tel fırça kullanın.  
(Şek. 56 )

### Soğutma sistemini temizleme

Soğutma sisteminin parçalarını bir fırçayla temizleyin.  
(Şek. 57 )

### Bujinin kontrol edilmesi



**DİKKAT:** Önerilen bujiyi kullanın. Yedek parçanın üretici tarafından sağlanan parçayla aynı olduğundan emin olun. Yanlış buji, ürüne zarar verebilir.

1. Bujiyi;
  - a) motor gücü düşüğe,
  - b) motor kolay başlatılamıyorsa,
  - c) motor, rölantide düzgün çalışmıyorsa kontrol edin.
2. Motoru çalıştırmak veya kullanmak kolay değilse bujide istenmeyen nesnelere olup olmadığını kontrol edin. Buji elektrotlarında istenmeyen nesne riskini azaltmak için:
  - a) Rölanti hızının doğru ayarlandığından emin olun.
  - b) Yakıt karışımının doğru ayarlanmış olduğundan emin olun.
  - c) Hava filtresinin temiz olduğundan emin olun.
3. Buji kırılsa bujiyi temizleyin. Elektrot boşluğunun doğru olduğundan emin olun. (Şek. 58 )
4. Gerekirse bujiyi değiştirin.

### İki parçalı mile gres uygulama

- Tahrik milinin ucuna her 30 saatlik kullanımdan sonra gres uygulayın. (Şek. 59 )

### Hava filtresinin bakımı

#### Hava filtresinin temizlenmesi

1. Hava filtresi kapağını ve hava filtresini çıkarın. (Şek. 60 )
2. Hava filtresini ılık, sabunlu suyla temizleyin. Takmadan önce hava filtresinin kuru olduğundan emin olun.
3. Tamamen temizlenmeyecek kadar kirlenmişse hava filtresini değiştirin. Hasar görmüş hava filtrelerini daima değiştirin.

4. Ürününüzde köpük hava filtresi varsa hava filtresi yağı uygulayın. Hava filtresi yağını yalnızca köpük filtreye uygulayın. Keçe filtreye yağ uygulamayın.

### Hava filtresine hava filtresi yağının uygulanması



**DİKKAT:** Köpük hava filtrelerini yağlamak için daima özel hava filtresi yağı kullanın. Diğer yağ türlerini kullanmayın.



**UYARI:** Vücudunuza yağ bulaştırmayın.

1. Hava filtresi kapağını ve hava filtresini çıkarın.(Şek. 61 )

2. Hava filtresini plastik bir torbaya koyun.
3. Hava filtresi yağını plastik torbaya koyun.(Şek. 62 )
4. Yağın, hava filtresinin her yerine eşit olarak yayıldığından emin olmak için plastik torbayı bastırın.
5. Fazla hava filtresi yağını boşaltmak için torbanın içindeyken hava filtresini sıkın. Hava filtresini torbadan çıkarın.
6. Hava filtresini ürüne takın.

### Ayna dişliye gres eklenmesi

Ayna dişlinin 3/4 kadarının ayna dişli gresi ile dolu olduğundan emin olun.

(Şek. 63 )

## TEKNİK VERİLER

	birim	129C (A05328CCHV)	129L (A05328CSHV)	129LK (A05328CSHV)
<b>Motor Teknik Özellikleri</b>				
Silindir hacmi	cm <sup>3</sup>	27,6	27,6	27,6
Elektrot boşluğu	mm	0,5	0,5	0,5
Yakıt tankı hacmi	cm <sup>3</sup>	343	343	343
Rölanti devri	dak <sup>-1</sup>	2800 - 3200	2800 - 3200	2800 - 3200
Maksimum güç hızı	dak <sup>-1</sup>	8000	8000	8000
Güç çıkışı	kW	0,85	0,85	0,85
Buji		Husqvarna HQT-4	Husqvarna HQT-4	Husqvarna HQT-4
Maksimum çıkış mili dönüşü	dak <sup>-1</sup>	8500	7200	7200
<b>Gürültü ve Titreşim Verileri</b>				
Eşdeğer titreşim düzeyi (ahv, eq), sol tutacak - bkz. not 1	m/sn <sup>2</sup>	3,64	9,9	9,9
Eşdeğer titreşim düzeyi (ahv, eq), sağ tutacak - bkz. not 1	m/sn <sup>2</sup>	3,59	8,9	8,9
Ses gücü seviyesi, garanti edilen (L <sub>WA</sub> ) - bkz. not 2	dB(A)	114	114	114
Ses gücü seviyesi, ölçülen - bkz. not 2	dB(A)	106	105	106
Operatör seviyesinde ses basıncı düzeyi - bkz. not 3	dB(A)	93	95	95
<b>Ürün Boyutları</b>				
Ağırlık (kesme donanımı hariç)	kg	4,61	5,21	5,98

**Not 1** Denk titreşim düzeyi için bildirilen verilerin tipik istatistik dağılımı (standart sapması) 1 m/s<sup>2</sup> şeklindedir.

**Not 2:** Ses gücü (L<sub>WA</sub>) türünden ortamda ölçülen gürültü yayma değeri, 2000/14/AT sayılı AT direktifine uygun olarak ölçülmüştür. Makine için bildirilen ses düzeyi, en yüksek düzeyi veren orijinal kesme ataşmanı ile ölçülmüştür. Garanti edilen ve ölçülen ses düzeyi arasındaki fark, garantili ses gücünün 2000/14/AT Sayılı Direktif doğrultusunda ölçüm sonucundaki dağılımı ve aynı modelden farklı makineler arasındaki değişimleri de içermesidir.

**Not 3:** Makinenin eşdeğer ses basıncı düzeyi için bildirilen verilerdeki tipik istatistik dağılım (standart sapma) 1 dB (A) şeklindedir.

## AKSESUARLAR

### 129C

Onaylı aksesuarlar	Tip	Kesme donanımı koruyucusu
Yivli mil (3/8 R)		
Misina kafa	T25 (Ø 2,0 - 2,4 mm)	580 44 66-10

### 129L, 129LK

Onaylı aksesuarlar	Tip	Kesme donanımı koruyucusu
Yivli mil (M10L)		
Misina kafa	T25 (Ø 2,0 - 2,4 mm)	580 44 66-06

İsteğe bağlı aksesuarlar	Tip	Kullanılacak model
Milli süpürücü ataşmanı	SR600	129LK
Milli çit düzeltici ataşmanı	HA850	129LK
Milli kenar düzeltici ataşmanı	EA850	129LK
Milli testere ataşmanı	PA1100	129LK
Milli çapalayıcı ataşmanı	CA150	129LK
Milli çim budayıcı ataşmanı	TA850	129LK
Milli testere ataşmanı	PAX1100	129LK
Milli testere ataşmanı	PAX730	129LK

## AT UYUMLULUK BİLDİRİMİNİN İÇERİĞİ

Husqvarna AB, SE 561 82 Huskvarna, İSVEÇ olarak, sunulan ürünün tek sorumlusu olma vasfıyla aşağıdaki beyanlarda bulunmaktayız:

Açıklama	Benzinli Çim Budayıcı / Çalı Tırpanı
Marka	Husqvarna



<b>Açıklama</b>	<b>Benzinli Çim Budayıcı / Çalı Tırpanı</b>
Platform / Tür / Model	129C modelini temsil eden A05328CCHV platformu  129L ve 129LK modelini temsil eden A05328CSHV platform
Parti	2013 ve daha ileri tarihli seri numaraları

aşağıdaki AB direktifleri ve düzenlemeleriyle tamamen uyumludur:

<b>Direktif/Düzenleme</b>	<b>Açıklama</b>
2006/42/EC	"makinelere ilgili"
2014/30/AB	"elektromanyetik uyumlulukla ilgili"
2000/14/EC	"açık alanda gürültüyle ilgili"

Uygulanan uymlaştırılmış standartlar ve/veya teknik özellikler şu şekildedir: EN ISO 12100, EN ISO 11806-1, CISPR 12, ISO 14982

2000/14/AT direktifi Ek V uyarınca beyan edilen ses değerleri, bu kılavuzun teknik veriler kısmında ve imzalı AT Uyumluluk Bildirimi'nde belirtilmiştir.

TÜV Rheinland N.A., Husqvarna AB adına, makinelere ilgili 2006/42/AT sayılı AT Konsey direktifi Uygunluk belgesi uyarınca gönüllü bir inceleme gerçekleştirmiştir.

İmzalı AT Uyumluluk Bildirimi'nde sağlandığı haliyle sertifika, tüm üretim yerleri ve Menşe Ülkeleri için üründe belirtildiği şekilde geçerlidir.

Verilen benzinli çim budayıcı/çalı tırpanı incelemeden geçmiş örnekle uyumludur.

---

## Зміст

---

ВСТУП.....	266	ТЕХНІЧНІ ХАРАКТЕРИСТИКИ.....	274
БЕЗПЕКА.....	267	АКСЕСУАРИ.....	275
ЗБИРАННЯ.....	270	ЗМІСТ ДЕКЛАРАЦІЯ ВІДПОВІДНОСТІ ЕС.....	275
ЕКСПЛУАТАЦІЯ.....	271	.....	0
ТЕХНІЧНЕ ОБСЛУГОВУВАННЯ.....	272		

---

## ВСТУП

---

### Посібник користувача

Оригінальна мова посібника користувача – англійська. Посібники користувача іншими мовами є перекладами англійського оригіналу.

### Огляд

(Мал. 1 )

1. Головка тримера
2. Кришка мастильного фільтра
3. Зубчаста передача
4. Захисний кожух ріжучої насадки
5. Штанга
6. Муфта валів
7. Петельний тримач
8. Курок газу
9. Вимикач
10. Блокування курка газу
11. Ковпак свічки запалювання, свічка запалювання
12. Корпус стартера
13. Рукоятка стартера
14. Паливний бак
15. Кришка повітряного фільтра
16. Кнопка насоса
17. Керування заслінкою
18. Приводний диск
19. Посібник користувача

### Символи на виробі

(Мал. 2 ) Попередження

(Мал. 3 ) Прочитайте цей посібник.

(Мал. 4 ) Користуйтеся відповідними засобами захисту голови.

(Мал. 5 ) Користуйтеся відповідними захисними навушниками.

(Мал. 6 ) Користуйтеся відповідними засобами захисту очей.

(Мал. 7 ) Використовуйте відповідні захисні рукавиці.

(Мал. 8 ) Використовуйте захисне взуття/чоботи.

(Мал. 9 ) З-під виробу можуть викидатися предмети, що може призвести до пошкодження очей.

(Мал. 10 ) З-під виробу можуть викидатися предмети, що може призвести до пошкодження очей.

(Мал. 11 ) Максимальна швидкість вихідного вала.

(Мал. 12 ) Безпечна відстань

(Мал. 13 ) Використовуйте лише сертифіковану нитку косарки. Не використовуйте леза.

(Мал. 14 ) Не використовуйте ріжучі насадки з металу.

(Мал. 15 ) Необхідно слідкувати, щоб довге волосся було заколото вище рівня плечей.

(Мал. 16 ) Стрілками позначені обмеження для встановлення рукоятки.

(Мал. 17 ) Рівень звукової потужності.

(Мал. 18 ) Рівень шуму

(Мал. 19 ) Виріб відповідає належним вимогам директив ЄС.

(Мал. 20 ) Виріб відповідає належним вимогам директив ЕАС.

(Мал. 21 ) Виріб відповідає належним вимогам директив України.

---

**Зверніть увагу:** Інші позначення на виробі відповідають вимогам спеціальних сертифікатів для інших торгових зон.

---

## Відповідальність за якість продукції

Відповідно до законів про відповідальність за якість продукції ми не несемо відповідальності за будь-які пошкодження, спричинені роботою наших виробів, якщо:

- виріб був неправильно відремонтований;
- виріб був відремонтований із використанням деталей, виготовлених не виробником або не затверджених ним;

- виріб обладнаний аксесуаром, виготовленим не виробником або не затвердженим ним;
- виріб був відремонтований у неавторизованому сервісному центрі або неавторизованою компанією;

---

## БЕЗПЕКА

---

### Визначення щодо безпеки

Визначення, наведені нижче, пояснюють рівень серйозності кожного сигнального слова.



**ПОПЕРЕДЖЕННЯ:** Небезпека травми для людини.



**УВАГА:** Небезпека пошкодження виробу.

**Зверніть увагу:** Ця інформація спрощує використання виробу.

### Загальні правила техніки безпеки

- Використовуйте виріб правильно. Неправильне використання може призвести до травм або смерті. Використовуйте виріб лише для завдань, перелічених у цьому посібнику. Забороняється використовувати продукт для інших завдань.
- Дотримуйтеся інструкцій, наведених у цьому посібнику. Дотримуйтеся інструкцій, зазначених на попереджувальних знаках та в правилах техніки безпеки. Недотримання оператором інструкцій, зазначених на попереджувальних знаках та в правилах техніки безпеки, може призвести до травм, пошкоджень або смерті.
- Не викидайте цей посібник. Користуйтеся інструкціями для монтажу, експлуатації та підтримки виробу в задовільному стані. Користуйтеся інструкціями для правильного встановлення насадок та приладдя. Використовуйте лише сертифіковані насадки та приладдя.
- Не користуйтеся пошкодженим виробом. Дотримуйтеся графіка технічного обслуговування. Виконуйте лише те обслуговування, для якого наведені інструкції в цьому посібнику. Все інше обслуговування повинне виконуватися в авторизованому сервісному центрі.
- Цей посібник не включає всі ситуації, що можуть статися під час використання виробу. Будь-яке

обережні та дотримуйтеся здорового глузду. Не експлуатуйте виріб та не виконуйте технічне обслуговування в разі, якщо ви не можете розібратися в поточній ситуації. Більш детальну інформацію можна дізнатися в експерта з продукції, вашого дилера, центрі обслуговування або в авторизованому сервісному центрі.

- Перед монтажем, зберіганням або технічним обслуговуванням необхідно виймати свічку запалювання.
- Не використовуйте виріб у разі зміни його початкових технічних характеристик. Не замінійте деталі виробу без дозволу виробника. Використовуйте лише сертифіковані виробником деталі. Неправильне технічне обслуговування може призвести до травм або смерті.
- Не вдихайте вихлопні гази, що виходять з двигуна. Тривале вдихання вихлопних газів двигуна може бути небезпечним для здоров'я.
- Не вмикайте виріб у приміщенні чи біля легкозаймистих матеріалів. Вихлопні гази мають високу температуру та можуть містити іскри, від яких можливе загоряння. Недостатнє провітрювання може призвести до травм або смерті внаслідок задухи чи отруєння монооксидом вуглецю.
- Під час використання виробу двигун створює електромагнітне поле. Електромагнітне поле може пошкодити медичні імпланти. Перш ніж працювати з цим приладом, проконсультуйтеся з лікарем і виробником медичного імплантату.
- Не давайте використовувати прилад дітям. Не давайте використовувати прилад особам, що не ознайомилися з інструкціями.
- Завжди спостерігайте за особами з обмеженими фізичними чи розумовими можливостями, що використовують виріб. Біля виробу, що працює, повинна завжди знаходитися відповідальна доросла особа.
- Зачиняйте виріб у місці, куди не зможуть отримати доступ діти та особи, що не мають належної підготовки для використання виробу.
- З під виробу можуть викидатися предмети, що може призвести до травм. Для зменшення ризику травм або смерті дотримуйтеся правил техніки безпеки.

- Не відходьте далеко від працюючого виробу.
- У разі нещасного випадку відповідальність несе оператор.
- Перед використанням виробу переконайтеся, що його деталі не мають пошкоджень.
- Перед використанням виробу переконайтеся, що ви знаходитесь на відстані не менше 15 м від інших осіб або тварин. Переконайтеся, що особа на прилеглий території знає, що ви збираєтеся використовувати виріб.
- Дотримуйтеся державного та місцевого законодавства. Норми законодавства можуть забороняти або обмежувати використання виробу в деяких умовах.
- Заборонено використовувати виріб, якщо ви втомлені чи перебуваєте під впливом наркотиків, алкоголю або медикаментів. Ці речовини можуть вплинути на зір, реакцію, координацію рухів або спроможність робити зважені рішення.

## Правила техніки безпеки під час використання

- Перед використанням переконайтеся, що виріб повністю змонтований.
- Перед запуском пересуньте виріб на 3 м від місця, де ви заправляли його пальним. Розташуйте виріб на рівній поверхні. При цьому ріжуча насадка не повинна торкатися землі або інших предметів.
- 3-під виробу можуть викидатися предмети, що може призвести до пошкодження очей. Під час експлуатації виробу завжди користуйтеся відповідними засобами захисту очей.
- Будьте обережні, адже під час експлуатації виробу до вас може без дозволу підійти дитина.
- Не використовуйте виріб, якщо на робочій ділянці знаходяться люди. Зупиніть виріб у разі, якщо на робочу ділянку зайшла особа.
- Завжди контролюйте місце знаходження виробу.
- Не використовуйте виріб, якщо немає змоги отримати допомогу в разі нещасного випадку. Перед початком експлуатації виробу переконайтеся, що інші особи знають, що ви будете працювати з виробом.
- Не обертайтеся разом з виробом, доки не переконаєтеся, що люди або тварини знаходяться в безпечній зоні.
- Перед початком роботи приберіть всі непотрібні предмети з робочої ділянки. Якщо ріжуча насадка натрапить на якийсь предмет, він може відлетіти та призвести до травм або пошкоджень. Непотрібні предмети можуть намотатися на ріжучу насадку та призвести до пошкоджень.
- Не користуйтеся виробом у погану погоду (туман, дощ, сильний вітер, якщо є ризик виникнення блискавки або за інших несприятливих погодних умов). Через погану погоду можуть утворюватися небезпечні умови (наприклад, слизькі поверхні).

- Переконайтеся, що ви можете вільно переміщуватися та працювати, зберігаючи стабільне положення.

(Мал. 22 )

- Переконайтеся, що під час використання виробу ви не впадете. Не нахилийтеся під час експлуатації виробу.
- Завжди утримуйте виріб обома руками. Тримайте виріб праворуч.

(Мал. 23 )

- Використовуйте виріб лише тоді, коли ріжуча насадка знаходиться нижче рівня вашої талії.
- Якщо в момент запуску двигуна керування заслінкою знаходиться в положенні заслінки, ріжуча насадка почне обертатися.
- Не торкайтеся кінцевої зубчасті передачі після зупинки двигуна. Після зупинки двигуна кінцева зубчаста передача має високу температуру. Контакт із гарячими поверхнями може призвести до травм.
- Перед переміщенням виробу зупиняйте двигун.
- Не кладіть працюючий виріб на землю.
- Перед тим як прибрати непотрібні предмети з виробу, зупиніть двигун та дочекайтеся зупинки ріжучої насадки. Дочекайтеся зупинки різальної насадки перед тим як ви або ваш помічник почне прибирати зрізаний матеріал.

## Засоби індивідуального захисту

- Під час експлуатації виробу завжди використовуйте відповідні засоби індивідуального захисту. Засоби індивідуального захисту не усувають повністю ризик отримання травм. Засоби індивідуального захисту знижують рівень пошкоджень у разі нещасного випадку.
- Під час експлуатації виробу завжди користуйтеся відповідними засобами захисту очей.
- Не використовуйте виріб, не надягнувши взуття або перебуваючи у відкритому взутті. Завжди використовуйте надмічні чоботи із захистом від ковзання.
- Використовуйте цупкі довгі штани.
- За необхідності використовуйте сертифіковані захисні рукавиці.
- У разі наявності ризику падіння предметів на голову, використовуйте шолом.
- Під час експлуатації виробу завжди користуйтеся відповідними засобами захисту органів слуху. Довготривалий вплив шуму може призвести до втрати слуху.
- Переконайтеся, що поряд є набір засобів для надання першої медичної допомоги.

## Захисні засоби на пристрої

- Переконайтеся, що технічне обслуговування виробу проводиться регулярно.
  - Строк служби виробу збільшується.

- Небезпека виникнення нещасних випадків зменшується.

Регулярний огляд, регулювання або ремонт виробу повинен проводитися авторизованим дилером або сервісним центром.

- Не використовуйте виріб з пошкодженням захисним спорядженням. У разі пошкодження виробу, зверніться до авторизованого сервісного центру.

## Блокування курка газу

Елемент блокування курка газу блокує курок газу. (Мал. 24)

Натисніть на елемент блокування курка газу (А), щоб відпустити курок газу (В). Коли ви випускаєте з рук рукоятку, елемент блокування курка газу та курок газу повертаються до початкового положення.

1. Переконайтеся, що курок газу (В) зафіксований у положенні для холостої роботи, після чого можна відпустити елемент блокування курка газу (А).
2. Натисніть на елемент блокування курка газу (А) та переконайтеся, що він повертається до початкового положення, коли ви випускаєте його.
3. Натисніть на курок газу (В) та переконайтеся, що він повертається до початкового положення, коли ви відпускаєте його.

Запустіть двигун та повністю натисніть важіль дроселя. Відпустіть курок газу та перевірте, чи зупинилася ріжуча насадка. Якщо важіль знаходиться в положенні для холостого ходу, а ріжуча насадка продовжує обертатися, перевірте гвинт регулювання холостого ходу карбюратора.

## Вимикач

Запустіть двигун. Переконайтеся, що двигун вимикається, коли ви переводите вимикач у позицію зупинки.

(Мал. 25)

## Захисний кожух ріжучої насадки

Кожух ріжучої насадки захищає від викидання предметів у напрямку оператора.

(Мал. 26)

Перевіряйте кожух ріжучої насадки на предмет пошкоджень та в разі необхідності замінійте його. Використовуйте лише сертифіковані кожухи для ріжучих насадок.

## Глушник

- Не запускайте двигун з пошкодженням глушником. Пошкоджений глушник збільшує рівень шуму та підвищує небезпеку загоряння. Тримайте поруч вогнегасник.
- Регулярно перевіряйте кріплення глушника до виробу.
- Не торкайтеся двигуна або глушника під час роботи двигуна. Після зупинки двигуна почекайте

деякий час перш ніж торкатися двигуна або глушника. Контакт із гарячими поверхнями може призвести до травм.

- Гарячий глушник може призвести до загоряння. Будьте обережні в разі використання виробу біля легкозаймистих рідин або газів.
- Не торкайтеся частин глушника в разі його пошкодження. Ці частини можуть містити канцерогенні хімічні речовини.

## Ріжуча насадка

- Проводьте регулярне технічне обслуговування. Регулярний огляд, регулювання або ремонт ріжучої насадки повинен проводитися авторизованим сервісним центром.
  - Продуктивність ріжучої насадки збільшується.
  - Строк служби ріжучої насадки збільшується.
  - Небезпека виникнення нещасних випадків зменшується.
- Використовуйте лише сертифікований захисний кожух ріжучої насадки. Докладніше див. *ТЕХНІЧНІ ХАРАКТЕРИСТИКИ на сторінці 274.*
- Не використовуйте пошкоджену ріжучу насадку.

## Головка тримера

- Для зменшення вібрації переконайтеся, що нитка тримера намотана на барабан щільно та рівномірно.
- Використовуйте лише сертифіковані головки та нитки косарки. Див. *ТЕХНІЧНІ ХАРАКТЕРИСТИКИ на сторінці 274.*
- Слідкуйте за правильною довжиною нитки косарки. Для роботи з великою довжиною нитки використовується більше потужності двигуна, ніж з малою.
- Переконайтеся, що ніж на кожусі ріжучої насадки не пошкоджений.
- Перед встановленням нитки на виріб, необхідно вимочити її у воді протягом двох днів. Це збільшить строк служби нитки.

## Заходи безпеки при заправці палива

- Не запускайте виріб, якщо на ньому залишилося пальне або моторна олива. Приберіть непотрібне пальне/оливу та дайте виробу просохнути. Приберіть непотрібне пальне з виробу.
- Якщо ви пролили пальне на свій одяг, негайно переодягніться.
- Не допускайте потрапляння пального на тіло, адже це може призвести до травм. Для видалення пального, що потрапило на тіло, використовуйте мило та воду.
- Не запускайте двигун у разі потрапляння оливи або пального на виріб або тіло.
- Не запускайте виріб у разі наявності протікання у двигуні. Регулярно перевіряйте двигун на протікання.

- Будьте обережні при поводженні з палимим. Пальне є легкозаймистою речовиною, а його пари вибухонебезпечні та можуть призвести до травм або смерті.
- Не вдихайте вихлопні гази, це може призвести до травм. Забезпечте належне провітрювання.
- Не паліть біля пального або двигуна.
- Не кладіть біля пального або двигуна теплі предмети.
- Не доливайте пальне в працюючий виріб.
- Перед заправленням переконайтеся, що двигун охолонув.
- Перед заправленням повільно відкрийте кришку паливного бака, обережно зменшивши тиск.
- Не управляйте виріб у приміщенні. Недостатнє провітрювання може призвести до травм або смерті внаслідок задухи чи отруєння монооксидом вуглецю.
- Обережно затягуйте кришку паливного бака, адже існує ризик виникнення пожежі.
- Перед запуском пересуньте виріб на 3 м від місця, де ви управляли його.
- Не заливайте в паливний бак занадто багато палива.
- Переконайтеся у відсутності ризику протікань під час переміщення виробу або ємності для пального.
- Не залишайте виріб або ємність для пального біля відкритого вогню, джерела іскор або запальника. Переконайтеся, що в зоні зберігання відсутні джерела відкритого вогню.
- Під час переміщення або зберігання палива користуйтеся лише сертифікованими ємностями.
- Спустошуйте паливний бак перед тривалим зберіганням. Дотримуйтеся місцевого законодавства щодо утилізації пального.
- Очищуйте виріб перед тривалим зберіганням.
- Щоб двигун випадково не запустився, перед зберіганням необхідно зняти кабель свічки запалювання.

## Правила техніки безпеки під час обслуговування

- Якщо не вдається відрегулювати швидкість холостого ходу таким чином, щоб ріжуча насадка зупинилася, зверніться до сервісного центру. Не користуйтеся виробом, поки його добре не відрегулюють або полагодають.

## ЗБИРАННЯ



**ПОПЕРЕДЖЕННЯ:** Перед збиранням виробу прочитайте розділ про правила техніки безпеки.

### Встановлення петельного тримача

1. Під'єднайте петельний тримач до вала згідно з ілюстрацією та затягніть його.(Мал. 27 )
2. Переконайтеся, що петельний тримач встановлений між стрілками на валу.

### Монтаж двосекційного вала

1. Поверніть ручку для послаблення муфти вала.(Мал. 28 )
2. Вирівняйте виступ вала (А) зі стрілкою на з'єднанні вала (В).(Мал. 29 )
3. Вставте вал у з'єднання вала так, що він зафіксувався.(Мал. 30 )
4. Перед використанням виробу переконайтеся, що ручка зафіксована.(Мал. 31 )

### Демонтаж двосекційного вала

1. Поверніть ручку для послаблення муфти вала.(Мал. 32 )
2. Натисніть та утримуйте кнопку (С).(Мал. 33 ) Утримуйте двигун та витягуйте вал зі з'єднання.

### Монтаж ріжучої насадки

#### Монтаж захисного кожуха ріжучої насадки та головки тримера (прямий вал)

1. Під'єднайте захисний кожух ріжучої насадки (А) до вала за допомогою болта (L).(Мал. 34 ) Переконайтеся, що ви використовуєте правильний захисний кожух та головку тримера.
2. Під'єднайте приводний диск (В) до вихідного вала.
3. Обертайте вихідний вал, доки отвір приводного диску не співпаде з отвором у корпусі редуктора.
4. Вставте невелику викрутку (С) в отвір для фіксації вала.(Мал. 35 )
5. Поверніть головку тримера (Н) проти годинникової стрілки, щоб закріпити головку з коробкою передач. (Лівобічна нарізка.)(Мал. 36 )

#### Монтаж захисного кожуха ріжучої насадки та головки тримера (зігнутий вал)

1. Під'єднайте захисний кожух.(Мал. 37 ) Затягніть гайку.
2. Під'єднайте ковпачок захисту від пилу до вала.(Мал. 38 )
3. Утримуйте ковпачок захисту від пилу за допомогою розсувного ключа, щоб вал не обертався.
4. Під'єднайте голівку тримера до вала. Поверніть головку тримера за годинниковою стрілкою.

# ЕКСПЛУАТАЦІЯ



**ПОПЕРЕДЖЕННЯ:** Перед використанням виробу уважно прочитайте розділ про правила техніки безпеки.

## Паливо

### Використання палива



**УВАГА:** Цей виріб оснащений двотактним двигуном. Використовуйте суміш бензину та моторної оливи для двотактних двигунів. Для суміші використовуйте правильну кількість оливи. Невірне співвідношення бензину та оливи може призвести до пошкодження двигуна.

### Бензин



**УВАГА:** Не використовуйте бензин із октановим числом нижче 90 RON (87 AKI). Це може призвести до пошкодження виробу.



**УВАГА:** Не використовуйте бензин із концентрацією етанолу більше 10% (E10). Це може призвести до пошкодження виробу.

- Завжди використовуйте новий неетипований бензин з мінімальним октановим числом 90 RON (87 AKI) та концентрацією етанолу менше 10% (E10).
- У разі частого використання виробу з високою частотою обертання двигуна, необхідно використовувати бензин з вищим октановим числом.

### Двотактна моторна олива

- Використовуйте лише високоякісну двотактну моторну оливу. Використовуйте лише моторну оливу для повітряного охолодження.
- Не використовуйте інші типи оливи.
- Співвідношення компонентів 50:1 (2%)

Бензин	Олива
1 амер. гал.	77 мл (2,6 унції)
1 брит. гал.	95 мл (3,2 унції)
5 л	100 мл (3,4 унції)

## Створення паливної суміші

**Зверніть увагу:** Для змішування суміші завжди використовуйте чисту паливну ємність.

**Зверніть увагу:** Не змішуйте об'єм суміші, яку не зможете використати протягом 30 днів.

1. Додайте половину кількості бензину.
2. Додайте всю оливу.
3. Збовтайте паливну суміш для змішування компонентів.
4. Додайте решту бензину.
5. Збовтайте паливну суміш для змішування компонентів.
6. Наповніть паливний бак.

### Додавання палива

- Завжди використовуйте паливну ємність з антипропусним клапаном.
- Якщо на ємності знаходиться паливо, приборіть його та дайте ємності просохнути.
- Переконайтеся, що область навколо кришки паливного бака чиста.
- Перед додаванням паливної суміші в паливний бак збовтайте ємність з паливом.

## Запуск і зупинення роботи

### Перед запуском двигуна

- Перевірте виріб на предмет відсутніх, пошкоджених, розхитаних або зношених деталей.
- Перевірте гайки, гвинти та болти.
- Перевірте повітряний фільтр.
- Перевірте правильність роботи елемента блокування курка газу та керування газом.
- Перевірте правильність роботи вимикача.
- Перевірте виріб на наявність витоків палива.
- Перевірте гостроту й натяг ланцюга пилки.

### Запуск холодного двигуна

1. Натисніть кнопку насоса 10 разів.(Мал. 39 )
2. Потягніть важіль заслінки вгору.(Мал. 40 )
3. Лівою рукою притисніть корпус виробу до землі. (Мал. 41 ) Не наступіть на виріб. Повільно потягніть за ручку троса стартера доки не відчуєте спротив. Після цього силою потягніть за ручку троса стартера.

**Зверніть увагу:** Не тягніть курок газу під час запуску двигуна.

4. Продовжуйте тягнути за ручку троса стартера доки двигун не запуститься або не намагатиметься запуститися (макс. 3 рази). Якщо двигун запускається або намагається запуститися, натисніть на важіль повітряної шторки вниз. Продовжуйте тягнути доки двигун не запуститься. Після запуску заждіть 60 секунд, після чого натискайте на курок газу.



**УВАГА:** Не тягніть трос стартера, доки виріб не зупиниться. Не відпускайте трос стартера, коли він повністю витягнутий. Відпускайте трос стартера повільно. Невиконання цих інструкцій може призвести до пошкодження двигуна.

### Запуск теплового двигуна

1. Натисніть кнопку насоса 10 разів.
2. Потягніть трос стартера до тих пір, поки двигун не запрацює.

### Зупинення

- Для зупинки двигуна натисніть вимикач. (Мал. 42 )

**Зверніть увагу:** Вимикач автоматично повертається до початкового положення.

### Експлуатація тримера



**УВАГА:** Після кожного використання зменшуйте швидкість двигуна до холостого ходу. Тривала робота на повних оборотах без навантаження на двигун може призвести до пошкодження двигуна.

**Зверніть увагу:** У разі встановлення нової нитки необхідно очистити кришку голівки тримера, щоб

уникнути подальших вібрацій. Огляньте інші деталі голівки тримера та за необхідності очистіть їх.

### Підстригання трави

1. Тримайте голівку тримера під кутом безпосередньо над землею. (Мал. 43 ) Не вдавлюйте нитку тримера в траву.
2. Для зменшення ризику пошкодження рослин, скоротіть довжину нитки тримера до 10-12 см та зменште частоту обертання двигуна.
3. Під час зрізання трави поблизу предметів використовуйте 80 % потужності. (Мал. 44 )

### Зрізання трави

1. Під час зрізання трави нитка тримера має бути паралельна землі. (Мал. 45 )
2. Не вдавлюйте голівку тримера в землю. Існує ризик пошкодження землі та виробу.
3. Не дозволяйте голівці тримера постійно торкатися землі, адже це може призвести до її пошкодження.
4. Під час переміщення виробу зі сторони в сторону для зрізання трави використовуйте повну потужність. (Мал. 46 ) Переконайтеся, що нитка тримера знаходиться паралельно землі.

### Заміна нитки тримера

(Мал. 47 )  
(Мал. 48 )  
(Мал. 49 )  
(Мал. 50 )  
(Мал. 51 )  
(Мал. 52 )  
(Мал. 53 )  
(Мал. 54 )

## ТЕХНІЧНЕ ОБСЛУГОВУВАННЯ



**ПОПЕРЕДЖЕННЯ:** Перед очищенням, ремонтуванням чи технічним обслуговуванням уважно прочитайте розділ про правила техніки безпеки.

### Графік технічного обслуговування

Завжди дотримуйтеся графіка технічного обслуговування. Інтервали вираховуються з урахуванням щоденного використання виробу. Значення інтервалів буде іншим, якщо ви не використовуйте виріб щоденно. Виконуйте лише те обслуговування, яке описане в цьому посібнику. Інформація щодо інших видів обслуговування, не наведених у цьому посібнику, можна отримати в авторизованому сервісному центрі.

#### Щотижневе технічне обслуговування

- Очищення зовнішніх поверхонь.
- Перевірка швидкості холостого ходу.
- Перевірка змащування конічної зубчасті передачі (прямий вал).

#### Щомісячне технічне обслуговування

- Перевірка ручки троса стартера та троса стартера.

#### Щорічне обслуговування

- Перевірка свічки запалювання.
- Змащування кінця приводного вала (двохсекційний вал).
- Очищення зовнішніх поверхонь карбюратора та прилеглих до нього ділянок.



- Очищення системи охолодження.
- Перевірка іскрогасника.
- Перевірка паливного фільтра.
- Перевірка шланга подачі пального на пошкодження.
- Перевірка всіх кабелів та з'єднань.

### Технічне обслуговування після 50 годин експлуатації

- Необхідно відремонтувати або замінити глушник в авторизованому сервісному центрі.

## Налаштування швидкості холостого ходу

- Перед налаштуванням швидкості холостого ходу переконайтеся, що повітряний фільтр чистий, а кришка повітряного фільтра встановлена.
- Налаштуйте швидкість холостого ходу за допомогою регулювального гвинта Т, який позначений літерою «Т».
- Швидкість холостого ходу відрегульована правильно, якщо двигун працює рівномірно в будь-якому положенні. Швидкість холостого ходу повинна бути нижчою від швидкості, на якій починає обертатися насадка.

1. Повертайте гвинт регулювання холостого ходу за годинниковою стрілкою, поки ріжуча насадка не почне обертатися. (Мал. 55 )
2. Повертайте гвинт регулювання холостого ходу проти годинникової стрілки, поки ріжуча насадка не зупиниться.

## Технічне обслуговування іскрогасника

Для очищення іскрогасника використовуйте дротяну щітку.

(Мал. 56 )

## Очищення системи охолодження

Очищуйте елементи системи охолодження за допомогою щітки.

(Мал. 57 )

## Перевірка свічки запалювання



**УВАГА:** Використовуйте лише рекомендовані свічки запалювання. Переконайтеся, що заміна буде відбуватися на такі ж самі деталі, що були поставлені виробником. Неправильна свічка запалювання може призвести до пошкодження виробу.

1. Перевіряйте свічку запалювання коли:
  - a) потужність двигуна низька.
  - b) двигун важко завести.

- c) двигун працює неправильно на холостому ходу.
2. Якщо двигун важко запускається або працює, перевірте свічку запалювання на наявність зайвих предметів. Щоб зменшити ризик потрапляння зайвих предметів на електроди свічки запалювання:
    - a) переконайтеся, що швидкість холостого ходу встановлено правильно.
    - b) переконайтеся в правильності змішування паливної суміші.
    - c) переконайтеся, що повітряний фільтр чистий.
  3. Якщо свічка запалювання забруднена, почистьте її. Перевірте правильність проміжку між електродами. (Мал. 58 )
  4. За необхідності замініть свічку запалювання.

## Змащування двосекційного вала

- Змащуйте кінець приводного вала кожні 30 годин роботи. (Мал. 59 )

## Технічне обслуговування повітряного фільтра

### Очищення повітряного фільтра

1. Зніміть кришку повітряного фільтра та витягніть повітряний фільтр. (Мал. 60 )
2. Чистити повітряний фільтр потрібно теплою мильною водою. Перед встановленням переконайтеся, що повітряний фільтр сухий.
3. Якщо повітряний фільтр занадто брудний для очищення, замініть його. Пошкоджений повітряний фільтр необхідно замінювати обов'язково.
4. Якщо ваш виріб оснащений губчастим повітряним фільтром, використовуйте оливу для повітряних фільтрів. Оливу для повітряних фільтрів слід наносити лише на губчасті фільтри. Забороняється наносити оливу на фетровий фільтр.

### Нанесення оливи для повітряних фільтрів на фільтр



**УВАГА:** Для обслуговування губчастих фільтрів використовуйте лише спеціальну оливу для повітряних фільтрів. Не використовуйте інші типи оливи.



**ПОПЕРЕДЖЕННЯ:** Уникайте потрапляння оливи на тіло.

1. Зніміть кришку повітряного фільтра та витягніть повітряний фільтр. (Мал. 61 )
2. Покладіть повітряний фільтр у пластиковий пакет.

3. Налийте в пластиковий пакет оливу для повітряних фільтрів.(Мал. 62 )
4. Натисніть на пластиковий пакет щоб переконатися, що олива рівно розповсюдиться по всьому повітряному фільтру.
5. Поки фільтр знаходиться в пакеті, натисніть на нього щоб з нього вийшла непотрібна олива. Вийміть повітряний фільтр з пакета.

6. Установіть повітряний фільтр.

## **Змащування конічної зубчатої передачі**

Конічна зубчата передача має бути заповнена мастилом для зубчатих передач на три чверті.

(Мал. 63 )

## **ТЕХНІЧНІ ХАРАКТЕРИСТИКИ**

	одиниця виміру	<b>129C</b> (A05328CCHV)	<b>129L</b> (A05328CSHV)	<b>129LK</b> (A05328CSHV)
<b>Технічні характеристики двигуна</b>				
Об'єм циліндра	см <sup>3</sup>	27,6	27,6	27,6
Проміжок між електродами	мм	0,5	0,5	0,5
Об'єм паливного бака	см <sup>3</sup>	343	343	343
Швидкість холостого ходу	об/хв	2800-3200	2800-3200	2800-3200
Максимальна потужність	об/хв	8000	8000	8000
Вихідна потужність	кВт	0,85	0,85	0,85
Свічка запалення		Husqvarna HQT-4	Husqvarna HQT-4	Husqvarna HQT-4
Максимальне значення обертання вихідного вала	об/хв	8500	7200	7200
<b>Дані щодо шуму та вібрації</b>				
Еквівалент рівня вібрації (ahv, eq) ліва ручка –див. примітку 1	м/с <sup>2</sup>	3,64	9,9	9,9
Еквівалент рівня вібрації (ahv, eq) права ручка – див. примітку 1	м/с <sup>2</sup>	3,59	8,9	8,9
Рівень звукової потужності, гарантований (L <sub>WA</sub> ) – див. примітку 2	дБ(А)	114	114	114
Рівень звукової потужності, виміряний – див. примітку 2	дБ(А)	106	105	106
Рівень звукового тиску на слухові органи оператора – див. примітку 3	дБ(А)	93	95	95
<b>Розміри виробу</b>				
Вага (за виключенням різального обладнання)	кг	4,61	5,21	5,98

**Примітка 1:** Представлені дані про еквівалентний рівень вібрації мають типову статистичну дисперсію (стандартне відхилення) в 1 м/с<sup>2</sup>.

**Примітка 2:** Випромінювання шуму в середовище, виміряне як звукова потужність ( $L_{WA}$ ), відповідає директиві ЄС 2000/14/ЄС. Зазначений рівень звукової потужності для машини був вимірний з оригінальним різальним устаткуванням, що дає найвищий рівень. Різниця між гарантованим і вимірюваним рівнем звукової потужності полягає в тому, що гарантована звукова потужність включає також дисперсію результатів вимірювання та відмінності між різними машинами тієї самої моделі відповідно до Директиви 2000/14/ЄС.

**Примітка 3:** Представлені дані для еквівалентного рівня звукового тиску для машини мають типову статистичну дисперсію (стандартне відхилення) в 1 дБ(A).

## АКСЕСУАРИ

### 129C

Схвалені аксесуари	Тип	Захисний кожух ріжучої насадки
Нарізний вал (3/8 R)		
Головка тримера	T25 (Ø 2,0-2,4 мм)	580 44 66-10

### 129L, 129LK

Схвалені аксесуари	Тип	Захисний кожух ріжучої насадки
Нарізний вал (M10L)		
Головка тримера	T25 (Ø 2,0-2,4 мм)	580 44 66-06

Додаткові аксесуари	Тип	Використовувати з
Насадка для підмітання з валом	SR600	129LK
Насадка для підстригання живої огорожі з валом	HA850	129LK
Насадка для шліфування з валом	EA850	129LK
Насадка для пиляння з валом	PA1100	129LK
Насадка для культивування з валом	CA150	129LK
Насадка для підстригання трави з валом	TA850	129LK
Насадка для пиляння з валом	PAX1100	129LK
Насадка для пиляння з валом	PAX730	129LK

## ЗМІСТ ДЕКЛАРАЦІЯ ВІДПОВІДНОСТІ ЄС

Ми, Husqvarna AB, SE 561 82 м. Гускварна, Швеція, заявляємо під свою виключну відповідальність, що представлений виріб:

Опис	Бензиновий тример / Кущоріз
Бренд	Husqvarna

Опис	Бензиновий тример / Кущоріз
Платформа / Тип / Модель	Платформа A05328CCHV, представлена модель 129C  Платформа A05328CSHV, представлені моделі 129L та 129LK
Партія	Серійні номери за 2013 рік і пізніше

повністю відповідає наступним директивам та нормам ЄС:

Директива/Норма	Опис
2006/42/EC	«Про механічне обладнання»
2014/30/EU	«Про електромагнітну сумісність»
2000/14/EC	«Про випромінювання шуму від обладнання, призначеного для використання надворі»

Застосовуються наступні узгоджені стандарти та/або технічні специфікації: EN ISO 12100, EN ISO 11806-1, CISPR 12, ISO 14982

Згідно з директивою 2000/14/EC, додаток V, заявлені шумові характеристики зазначені в розділі технічних даних цього посібника та в підписаній декларації відповідності ЄС.

Компанія TÜV Rheinland N.A. виконала добровільну перевірку компанії Husqvarna AB та видала їй сертифікат відповідності нормам директиви Ради ЄС 2006/42/EC «Про машини та механізми».

Сертифікат, як зазначено в підписаній декларації відповідності ЄС, діє для всіх місць виробництва та країн-виробників, зазначених на виробі.

Бензиновий тример/кущоріз, що постачається, жодним чином не відрізняється від зразка, що пройшов випробування.

---

## Sadržaj

---

UVOD.....	277	TEHNIČKI PODACI.....	284
BEZBEDNOST.....	278	OPREMA.....	285
SKLAPANJE.....	281	SADRŽAJ EZ DEKLARACIJE O USAGLAŠENOSTI. 286	
RUKOVANJE.....	281	.....	0
ODRŽAVANJE.....	283		

---

## UVOD

---

### Korisničko uputstvo

Ovo korisničko uputstvo je originalno napisano na engleskom jeziku. Korisnička uputstva na drugim jezicima su prevodi sa engleskog jezika.

### Pregled

(Sl. 1 )

1. Trimi glava
2. Poklopac za sipanje maziva
3. Menjač ugla
4. Štitnik priključka za košenje
5. Osovina
6. Spojnica osovine
7. Loop ručica
8. Prekidač gasa
9. Prekidač za zaustavljanje
10. Blokada prekidača gasa
11. Kapica za svečice, svećica
12. Kućište startera
13. Ručica užeta startera
14. Rezervoar za gorivo
15. Poklopac filtera za vazduh
16. Pumpa za gorivo
17. Kontrola čoka
18. Upravljački zahvatnik
19. Korisničko uputstvo

### Simboli na uređaju

- (Sl. 2 ) Upozorenje
- (Sl. 3 ) Pročitajte ovo uputstvo.
- (Sl. 4 ) Koristite odobrenu zaštitu za glavu.
- (Sl. 5 ) Koristite odobrenu zaštitu za uši.
- (Sl. 6 ) Koristite odobrenu zaštitu za oči.
- (Sl. 7 ) Koristite odobrene zaštitne rukavice.
- (Sl. 8 ) Koristite zaštitne cipele/čizme.

- (Sl. 9 ) Proizvod može prouzrokovati izbacivanje predmeta što može rezultirati povredom očiju.
- (Sl. 10 ) Proizvod može prouzrokovati izbacivanje predmeta što može rezultirati povredom očiju.
- (Sl. 11 ) Maks. brzina izlazne osovine.
- (Sl. 12 ) Bezbedno rastojanje
- (Sl. 13 ) Koristite samo odobrenu trimi nit. Nemojte koristiti nož.
- (Sl. 14 ) Nemojte koristiti priključak za košenje napravljen od metala.
- (Sl. 15 ) Pobrinite se da dugu kosu podignete iznad ramena.
- (Sl. 16 ) Strelce prikazuju ograničenja za položaj ručice.
- (Sl. 17 ) Nivo zvučne snage.
- (Sl. 18 ) Nivo buke
- (Sl. 19 ) Proizvod je usaglašen sa važećim EZ direktivama.
- (Sl. 20 ) Proizvod je usaglašen sa važećim EAC direktivama.
- (Sl. 21 ) Proizvod je usaglašen sa važećim direktivama Ukrajine.

---

**Napomena:** Drugi simboli/oznake na proizvodu odnose se na zahteve za sertifikaciju za ostale komercijalne oblasti.

---

## Odgovornost za proizvod

Kako je izloženo u zakonima o odgovornosti za proizvode, mi nismo odgovorni za oštećenja prouzrokovana našim proizvodom ako:

- proizvod je popravljen na pogrešan način.

- proizvod je popravljen korišćenjem delova koji nisu napravljeni ili odobreni od strane proizvođača.
- proizvod ima opremu koja ne potiče ili nije odobrena od strane proizvođača.
- proizvod nije popravljen u ovlašćenom servisnom centru ili od strane ovlašćenog stručnjaka.

---

## BEZBEDNOST

---

### Bezbednosne definicije

Definicije navedene u nastavku pružaju nivo ozbiljnosti za svaku signalnu reč.



**UPOZORENJE:** Telesne povrede osoba.



**OPREZ:** Oštećenje proizvoda.

**Napomena:** Ove informacije olakšavaju korišćenje proizvoda.

### Opšta bezbednosna uputstva

- Koristite proizvod na ispravan način. Telesna povreda ili smrt su mogući rezultat neispravnog korišćenja. Koristite proizvod samo za zadatke navedene u ovom uputstvu. Nemojte koristiti proizvod za druge zadatke.
- Pratite instrukcije navedene u ovom uputstvu. Pratite bezbednosne simbole i bezbednosna uputstva. Ako rukovalac ne prati uputstva i simbole, oštećenje, telesna povreda ili smrt su mogući rezultat.
- Nemojte baciti ovo uputstvo. Koristite uputstva kako biste sklopili, rukovali i održavali proizvod u dobrom stanju. Koristite uputstva za ispravno montiranje dodatka i opreme. Koristite isključivo odobrene dodatke i opremu.
- Nemojte koristiti oštećeni proizvod. Pridržavajte se šeme održavanja. Vršite samo one radove održavanja za koje pronađete instrukcije u ovom uputstvu. Ovlašćeni servisni centar mora izvršiti sve druge radove održavanja.
- Ovo uputstvo ne može sadržavati sve situacije koje se mogu pojaviti prilikom korišćenja proizvoda. Budite pažljivi i koristite zdrav razum. Nemojte rukovati proizvodom ili vršiti održavanje ako niste sigurni u pogledu određene situacije. Obratite se stručnjaku za proizvod, prodavcu, servisnom zastupniku ili ovlašćenom servisnom centru kako biste dobili više informacija.
- Iskopčajte kabl svećice pre nego što sklopite proizvod, uskladištite ga ili izvršite održavanje.
- Nemojte koristiti proizvod ako je izmenjen od inicijalnih specifikacija. Nemojte menjati deo na proizvodu bez odobrenja od strane proizvođača. Koristite samo delove koji su odobreni od strane proizvođača. Telesna povreda ili smrt su mogući rezultat nepravilnog održavanja.
- Nemojte udisati isparenja iz motora. Dugotrajno udisanje izduvnih gasova motora je opasno za zdravlje.
- Nemojte pokretati proizvod u zatvorenom prostoru ili blizu zapaljivih materijala. Izduvni gasovi su vrući i mogu imati varnicu koja može potpaliti požar. Nedovoljan protok vazduha može izazvati telesnu povreda ili smrt usled gušenja ili prisustva ugljenmonoksida.
- Kada koristite ovaj proizvod, motor stvara elektromagnetno polje. Elektromagnetno polje može izazvati oštećenje medicinskih implantata. Posavetujte se sa svojim lekarom i proizvođačem medicinskog implantata pre nego što počnete da rukujete ovim proizvodom.
- Nemojte dozvoliti da dete rukuje proizvodom. Ne dozvolite neobučenim osobama da rukuju proizvodom.
- Pobrinite se da uvek nadzirete osobu sa smanjenim fizičkim ili mentalnim sposobnostima koja koristi proizvod. Odgovorna odrasla osoba mora biti prisutna sve vreme.
- Proizvod čuvajte na mestu gde deca i neovlašćene osobe nemaju pristup.
- Proizvod može da izbacuje predmete i tako izazove telesne povrede. Pridržavajte se bezbednosnih uputstava kako biste smanjili rizik od telesne povrede ili smrti.
- Nemojte se udaljavati od proizvoda kada motor radi.
- Rukovalac proizvoda je odgovoran u slučaju ako dođe do nesreće.
- Uverite se da delovi nisu oštećeni pre nego što koristite proizvod.
- Uverite se da ste udaljeni najmanje 15 m (50 stopa) od drugih osoba ili životinja pre nego što koristite proizvod. Uverite se da osobe u okolnom području znaju da ćete koristiti proizvod.
- Pogledajte nacionalne ili lokalne zakone. Oni mogu sprečavati ili umanjiti načine za rad proizvoda u određenim slučajevima.
- Ne koristite uređaj ako ste iscrpljeni ili pod uticajem alkohola, droge ili lekova. Oni mogu uticati na vaš vid, budnost, koordinaciju ili prosuđivanje.

## Bezbednosna uputstva za rad

- Uverite se da je proizvod u potpunosti sklopljen pre nego što počnete da ga koristite.
- Pre pokretanja, pomerite proizvod 3 m (10 stopa) od položaja gde ste punili rezervoar za gorivo. Položite proizvod na ravnu površinu. Vodite računa da priključak za košenje ne dodiruje tlo ili druge predmete.
- Proizvod može prouzrokovati izbacivanje predmeta što može rezultirati povredom očiju. Uvek koristite odobrenu zaštitu za oči prilikom rada sa proizvodom.
- Budite oprezni, dete se može približiti proizvodu bez vašeg znanja tokom rada.
- Nemojte raditi sa proizvodom ako se osobe nalaze u radnom području. Zaustavite proizvod ako osoba uđe u radno područje.
- Pobrinite se da uvek imate kontrolu nad proizvodom.
- Nemojte koristiti proizvod ako ne postoji mogućnost da primite pomoć ako dođe do nesreće. Uvek se pobrinite da druge osobe znaju da ćete raditi sa proizvodom pre nego što počnete da koristite proizvod.
- Nemojte se okretati dok držite proizvod pre nego što se uverite da nema osoba ili životinja u bezbednom području.
- Uklonite sav neželjeni materijal iz radnog područja pre početka rada. Ako priključak za košenje udari o predmet, predmet može biti izbačen i na taj način izazvati telesnu povredu ili oštećenje. Neželjeni materijal se može namotati oko priključka za košenje i prouzrokovati štetu.
- Nemojte koristiti proizvod tokom lošeg vremena (magla, kiša, jaki vetrovi, rizik od udara groma ili drugi vremenski uslovi). Opasni uslovi (kao što su klizave površine) mogu se pojaviti usled lošeg vremena.
- Uverite se da se možete slobodno kretati i raditi u stabilnom položaju.

(Sl. 22 )

- Uverite se da nema opasnosti od pada prilikom korišćenja proizvoda. Nemojte se naginjati kada radite sa proizvodom.
- Uvek držite proizvod sa obe ruke. Držite proizvod sa desne strane tela.

(Sl. 23 )

- Radite sa proizvodom tako da vam je priključak za košenje ispod struka.
- Ako je kontrola čoka u položaju čoka prilikom pokretanja motora, priključak za košenje će početi da se okreće.
- Nemojte dodirivati menjač ugla nakon zaustavljanja motora. Menjač ugla je vruć nakon zaustavljanja motora. Vruće površine mogu da izazovu telesnu povredu.
- Zaustavite motor pre nego što pomerite proizvod.
- Nemojte spuštati proizvod kada motor radi.
- Pre uklanjanja neželjenih materijala sa proizvoda, zaustavite motor i sačekajte da se priključak za

košenje zaustavi. Sačekajte da se priključak za košenje zaustavi pre nego što vi ili osoba koja vam pomaže u radu uklonite isečeni materijal.

## Lična zaštitna oprema

- Uvek koristite odgovarajuću ličnu zaštitnu opremu kada radite sa proizvodom. Lična zaštitna oprema ne poništava rizik od telesne povrede. Lična zaštitna oprema umanjuje stepen telesne povrede u slučaju pojave nesreće.
- Uvek koristite odobrenu zaštitu za oči tokom rada sa proizvodom.
- Nemojte raditi sa proizvodom dok ste bosonogi ili u otvorenoj obući. Uvek nosite neklizauće i čvrste cizme.
- Uvek nosite duge pantalone od čvrstog materijala.
- Ako je neophodno, koristite odobrene zaštitne rukavice.
- Nosite zaštitnu kacigu ako postoji mogućnost da vam predmeti padnu na glavu.
- Uvek koristite odobrenu zaštitu za uši tokom rada sa proizvodom. Izloženost buci tokom dužeg vremenskog perioda može dovesti do gubitka sluha izazvanog bukom.
- Vodite računa da vam u blizini bude komplet za prvu pomoć.

## Zaštitni uređaji na proizvodu

- Pobrinite se da redovno vršite održavanje proizvoda.
  - Time se produžava radni vek proizvoda.
  - Time se smanjuje rizik od nesreća.

Neka ovlašćeni prodavac ili ovlašćeni servisni centar redovno pregledaju proizvod kako bi izvršili podešavanja ili popravke.

- Nemojte koristiti proizvod na kojem je oštećena zaštitna oprema. Ako je proizvod oštećen, obratite se ovlašćenom servisnom centru.

## Blokada prekidača gasa

Blokada prekidača gasa blokira prekidač gasa.

(Sl. 24 )

Pritisnite blokadu prekidača gasa (A) da biste oslobodili prekidač gasa (B). Kada otpustite ručicu, blokada prekidača gasa i prekidač gasa se vraćaju u početne položaje.

1. Uverite se da je prekidač gasa (B) blokiran u praznom hodu kada otpustite blokadu prekidača gasa (A).
2. Pritisnite blokadu prekidača gasa (A) i uverite se da se vraća u početni položaj kada je otpustite.
3. Pritisnite prekidač gasa (B) i uverite se da se vraća u početni položaj kada ga otpustite.

Pokrenite motor, a zatim dajte puni gas. Otpustite prekidač gasa i proverite da li se priključak za košenje zaustavio. Ako se priključak za košenje okreće dok je gas u položaju praznog hoda, pregledajte zavrtnj za podešavanje praznog hoda karburatora.

## Prekidač za zaustavljanje

Pokrenite motor. Uverite se da se motor zaustavi nakon što ste pomerili prekidač za zaustavljanje u položaj za zaustavljanje.

(Sl. 25 )

## Štitnik priključka za košenje

Štitnik priključka za košenje sprečava da nefiksirani predmeti budu izbačeni u smeru rukovaoca.

(Sl. 26 )

Pregledajte štitnik priključka za košenje da biste videli ima li oštećenja i zamenite ga ako je oštećen. Koristite samo odobreni štitnik za priključak za košenje.

## Prigušivač

- Nemojte koristiti motor sa oštećenim prigušivačem. Oštećeni prigušivač povećava nivo buke i rizik od požara. Neka vam pri ruci bude aparat za gašenje požara.
- Redovno proveravajte da je prigušivač pričvršćen na proizvod.
- Nemojte dodirivati motor ili prigušivač dok motor radi. Nemojte dodirivati motor ili prigušivač neko vreme nakon zaustavljanja motora. Vruće površine mogu da izazovu telesnu povredu.
- Vruć prigušivač može da izazove požar. Budite naročito pažljivi ako koristite proizvod blizu zapaljivih tečnosti ili isparenja.
- Nemojte dodirivati delove prigušivača ako je prigušivač oštećen. Delovi mogu da sadrže izvesne kancerogene hemikalije.

## Priključak za košenje

- Vršite redovno održavanje. Neka ovlašćeni servisni centar redovno pregleda priključak za košenje kako bi izvršili podešavanja ili popravke.
  - Time se povećava učinak priključka za košenje.
  - Time se produžava radni vek priključka za košenje.
  - Time se smanjuje rizik od nesreća.
- Koristite samo odobreni štitnik priključka za košenje. Za više informacija, pogledajte *TEHNIČKI PODACI na stranici 284*.
- Nemojte da koristite oštećeni priključak za košenje.

## Trimi glava za travu

- Pobrinite se da čvrsto i ravnomerno namotate trimi nit za travu oko bubnja kako biste smanjili vibracije.
- Koristite samo odobrene trimi glave i trimi niti za travu. Pogledajte *TEHNIČKI PODACI na stranici 284*.
- Koristite ispravnu dužinu trimi niti za travu. Dugačka trimi nit koristi više snage motora u odnosu na kratku trimi nit.
- Proverite da li je nož koji se nalazi na štitniku priključka za košenje neoštećen.

- Potopite trimi nit u vodu tokom 2 dana pre nego što trimi nit pričvrstite na proizvod. Time se produžava radni vek trimi niti.

## Bezbednost oko goriva

- Nemojte pokretati proizvod ako na njemu postoje tragovi goriva ili motornog ulja. Uklonite neželjeno gorivo/ulje i sačekajte da se proizvod osuši. Uklonite neželjeno gorivo sa proizvoda.
- Ako prospete gorivo na odeću, odmah je presvucite.
- Nemojte dozvoliti da gorivo dospe na vaše telo, ono može izazvati telesnu povredu. Ako gorivo dospe na vaše telo, uklonite ga pomoću sapuna i vode.
- Nemojte pokretati motor ako prospete ulje ili gorivo na proizvod ili vaše telo.
- Nemojte pokretati proizvod ako postoji curenje iz motora. Redovno proveravajte da li postoji curenje iz motora.
- Budite oprezni pri rukovanju gorivom. Gorivo je zapaljivo a isparenja su eksplozivna i mogu izazvati telesne povrede ili smrt.
- Nemojte udisati isparenja goriva, to može izazvati telesnu povredu. Pobrinite se da ima dovoljno protoka vazduha.
- Nemojte pušiti u blizini goriva ili motora.
- Nemojte stavljati vruće predmete blizu goriva ili motora.
- Nemojte dolivati gorivo kada motor radi.
- Uverite se da je motor hladan pre dopunjavanja goriva.
- Pre dopunjavanja goriva, lagano otvorite poklopac rezervoara za gorivo i pažljivo otpustite pritisak.
- Nemojte dolivati gorivo u motor u zatvorenom prostoru. Nedovoljan protok vazduha može izazvati telesnu povredu ili smrt usled gušenja ili prisustva ugljen-monoksida.
- Pažljivo zategnite poklopac rezervoara za gorivo ili može doći do požara.
- Pomerite proizvod najmanje 3 m (10 stopa) od položaja gde ste punili rezervoar pre pokretanja.
- Nemojte sipati previše goriva u rezervoar za gorivo.
- Pobrinite se da ne može doći do curenja kada pomerite proizvod ili kantu za gorivo.
- Nemojte stavljati proizvod ili kantu za gorivo na mesto gde postoji otvoreni plamen, varnice ili pilot gorionik. Uverite se da u skladišnom prostoru nema otvorenog plamena.
- Koristite samo odobrene kante za gorivo prilikom prenošenja ili skladištenja goriva.
- Ispraznite rezervoar za gorivo pre dugotrajnog skladištenja. Pridržavajte se lokalnog zakona u pogledu mesta odlaganja goriva.
- Očistite proizvod pre dugotrajnog skladištenja.
- Skinite kabl svećice pre skladištenja proizvoda kako biste osigurali da se motor ne može slučajno pokrenuti.



## Bezbednosna uputstva za održavanje

- Obratite se servisnom centru ako niste u mogućnosti da podesite brzinu praznog hoda potrebnu za

zaustavljanje priključka za košenje. Nemojte koristiti proizvod pre nego što je pravilno podešen ili popravljen.

## SKLAPANJE



**UPOZORENJE:** Pročitajte poglavlje o bezbednosti pre sklapanja proizvoda.

### Postavljanje loop ručice

1. Pričvrstite loop ručicu na osovinu u skladu sa ilustracijom i zategnite.(Sl. 27 )
2. Pobrinite se da se loop ručica pričvrsti između strelica na osovini.

### Sklapanje dvodelne osovine

1. Okrenite dugme da biste olabavili spojnicu osovine.(Sl. 28 )
2. Poravnajte oznaku na osovini (A) sa strelicom na spojnici osovine (B).(Sl. 29 )
3. Gurnite osovinu u spojnicu osovine dok se osovina ne zabravi.(Sl. 30 )
4. Pobrinite se da zategnete dugme pre korišćenja proizvoda.(Sl. 31 )

### Rasklapanje dvodelne osovine

1. Okrenite dugme da biste olabavili spojnicu osovine.(Sl. 32 )
2. Pritisnite i zadržite dugme (C).(Sl. 33 ) Držite kraj motora i povucite osovinu iz spojnice osovine.

### Sklapanje priključka za košenje

#### Postavljanje štitnika priključka za košenje i trimi glave (prava osovina)

1. Pričvrstite štitnik priključka za košenje (A) na osovinu pomoću vijka (L).(Sl. 34 ) Uverite se da koristite odgovarajući štitnik priključka za košenje i odgovarajuću trimi glavu.
2. Postavite zahvatnik (B) na izlaznoj osovini.
3. Okrećite izlaznu osovinu sve dok se otvor na zahvatniku ne poklopi sa odgovarajućim otvorom na kućištu menjača.
4. Stavite mali odvijlač (C) u otvor kako biste blokirali osovinu.(Sl. 35 )
5. Okrenite trimi glavu (H) suprotno kretanju kazaljke na satu da biste zategnuli trimi glavu na menjaču.(Levi navoji).(Sl. 36 )

#### Postavljanje štitnika priključka za košenje i trimi glave (zakrivljena osovina)

1. Pričvrstite štitnik.(Sl. 37 ) Pritegnite navrtku.
2. Pričvrstite šolju za prašinu na osovinu.(Sl. 38 )
3. Držite šolju za prašinu pomoću francuskog ključa da biste se uverili da se osovina ne okreće.
4. Pričvrstite trimi glavu na osovinu. Okrenite trimi glavu u pravcu kazaljke na satu.

## RUKOVANJE



**UPOZORENJE:** Pročitajte i shvatite poglavlje o bezbednosti pre rada sa proizvodom.

### Gorivo

#### Korišćenje goriva



**OPREZ:** Ovaj proizvod ima dvotaktni motor. Koristite mešavinu benzina i ulja za dvotaktni motor. Pobrinite se da koristite ispravnu količinu ulja u mešavini. Nepravilna razmera benzina i ulja može prouzrokovati oštećenje motora.

### Benzin



**OPREZ:** Nemojte koristiti benzin sa oktanskim brojem manjim od 90 RON (87 AKI). To može prouzrokovati oštećenje proizvoda.



**OPREZ:** Nemojte koristiti benzin sa više od 10% koncentracije etanola (E10). To može prouzrokovati oštećenje proizvoda.

- Uvek koristite sveži bezolovni benzin sa minimalnim oktanskim brojem od 90 RON (87 AKI) i sa manje od 10% koncentracije etanola (E10).
- Koristite benzin sa višim oktanskim brojem ako često koristite proizvod pri kontinuirano visokoj brzini motora.

## Ulje za dvotaktni motor

- Koristite samo visokokvalitetno ulje za dvotaktni motor. Koristite samo ulje za vazdušno hlađeni motor.
- Nemojte koristiti druge tipove ulja.
- Razmera mešavine 50:1 (2%)

Benzin	Ulje
1 američki galon	77 ml (2,6 oz)
1 britanski galon	95 ml (3,2 oz)
5 l	100 ml (3,4 oz)

## Pravljenje mešavine goriva

**Napomena:** Uvek koristite čistu kantu za gorivo kada mešate gorivo.

**Napomena:** Nemojte praviti zalihe mešavine goriva veće od količine potrebne za 30 dana rada.

1. Dodajte polovinu količine benzina.
2. Dodajte punu količinu ulja.
3. Promućkajte mešavinu goriva kako bi se sadržaj izmešao.
4. Dodajte preostalu količinu benzina.
5. Promućkajte mešavinu goriva kako bi se sadržaj izmešao.
6. Napunite rezervoar za gorivo.

## Dolivanje goriva

- Uvek koristite kantu za gorivo sa ventilom protiv prosipanja.
- Ako se na kanti nalaze ostaci goriva, uklonite neželjeno gorivo i sačekajte da se kanta osuši.
- Uverite se da je područje oko poklopca rezervoara za gorivo čisto.
- Promućkajte kantu za gorivo pre dolivanja mešavine goriva u rezervoar za gorivo.

## Pokretanje i zaustavljanje

### Pre pokretanja motora

- Pregledajte proizvod kako biste se uverili da nema nedostajućih, oštećenih, labavih ili pohabanih delova.
- Pregledajte navrtke, zavrtnje i vijke.
- Pregledajte filter za vazduh.
- Proverite da li blokada prekidača gasa i komanda gasa ispravno rade.
- Pregledajte prekidač za zaustavljanje kako biste se uverili da ispravno radi.
- Proverite da li ima curenja goriva iz proizvoda.
- Proverite naoštrenost i zategnutost lanca.

## Pokretanje hladnog motora

1. Pritisnite pumpu za gorivo 10 puta.(Sl. 39 )
2. Povucite regulator čoka nagore.(Sl. 40 )
3. Držite proizvod na tlu levom rukom.(Sl. 41 ) Nemojte stajati na proizvod. Lagano povucite ručicu užeta startera dok ne osetite otpor. Zatim snažno povucite ručicu užeta startera.

**Napomena:** Nemojte pritiskati prekidač gasa prilikom pokretanja motora.

4. Nastavite da povlačite ručicu užeta startera dok se motor ne pokrene ili pokušajte da se pokrene (maks. 3 puta). Ako se motor pokrene ili pokušate da se pokrene, gurnite kontrolu čoka nadole. Nastavite da povlačite dok se motor ne pokrene. Sačekajte 60 sekundi nakon pokretanja pre nego što pritisnete prekidač gasa.



**OPREZ:** Nemojte povlačiti užu startera dok se ne zaustavi. Nemojte puštati užu startera kada je potpuno izvučeno. Lagano otpustite užu startera. Ako se ne budete pridržavali ovih uputstava to može imati za posledicu oštećenje motora.

## Pokretanje toplog motora

1. Pritisnite pumpu za gorivo 10 puta.
2. Povlačite užu startera sve dok se motor ne pokrene.

## Zaustavljanje

- Pritisnite prekidač za zaustavljanje da biste zaustavili motor.(Sl. 42 )

**Napomena:** Prekidač za zaustavljanje se automatski vraća u početni položaj.

## Rad sa trimerom za travu



**OPREZ:** Pobrinite se da se motor uspori u brzinu praznog hoda nakon svakog rada. Dug period rada pri punom gasu bez opterećenja na motoru može izazvati oštećenje motora.

**Napomena:** Očistite poklopac trimi glave kada pričvrstite novu trimi nit kako biste sprečili vibracije. Pregledajte ostale delove trimi glave i očistite ih ako je potrebno.

## Skraćivanje trave

1. Držite glavu trimera odmah iznad tla i pod uglom.(Sl. 43 ) Nemojte pritiskati trimi nit u travu.
2. Skratite dužinu trimi niti za 10-12 cm (4-4,75 inča) i smanjite brzinu motora kako biste umanjili rizik od oštećenja biljaka.

3. Koristite 80% gasa kada kosite travu blizu predmeta. (Sl. 44 )

## Košenje trave

1. Uverite se da je trimi nit paralelna sa tlom prilikom košenja. (Sl. 45 )
2. Nemojte pritisnuti trimi glavu o tlo. Može doći do uništenja tla i oštećenja proizvoda.
3. Nemojte dozvoliti da trimi glava neprestano dodiruje tlo, to može prouzrokovati oštećenje trimi glave.
4. Koristite pun gas kada pomerate proizvod od ugla do ugla dok kosite travu. (Sl. 46 ) Pobrinite se da je trimi nit paralelna sa tlom.

## Zamena trimi niti

- (Sl. 47 )
- (Sl. 48 )
- (Sl. 49 )
- (Sl. 50 )
- (Sl. 51 )
- (Sl. 52 )
- (Sl. 53 )
- (Sl. 54 )

---

# ODRŽAVANJE

---



**UPOZORENJE:** Pročitajte i shvatite poglavlje o bezbednosti pre čišćenja, popravke ili održavanja proizvoda.

## Šema održavanja

Pobrinite se da se pridržavate šeme održavanja. Intervali su izračunati na osnovu svakodnevnog korišćenja proizvoda. Intervali su različiti ako ne koristite proizvod svakog dana. Vršite samo one radove održavanja koji se mogu pronaći u ovom uputstvu. Obratite se ovlašćenom servisnom centru u pogledu drugih radova održavanja koji nisu navedeni u ovom uputstvu.

### Nedeljno održavanje

- Očistite spoljne površine.
- Proverite brzinu praznog hoda.
- Proverite podmazivanje menjača ugla (prava osovina).

### Mesečno održavanje

- Pregledajte ručicu užeta startera i uže startera.

### Godišnje održavanje

- Pregledajte svećicu.
- Nanesite mazivo na kraj pogonskog vratila (dvodelna osovina).
- Očistite spoljne površine karburatora i okolnog područja.
- Očistite sistem za hlađenje.
- Pregledajte hvatač varnica.
- Pregledajte filter za gorivo.
- Pregledajte da li postoji oštećenje na crevu za gorivo.
- Pregledajte sve kablove i veze.

### Održavanje na 50 radnih sati

- Neka ovlašćeni servisni centar popravi ili zameni prigušivač.

## Podešavanje brzine praznog hoda

- Uverite se da je filter za vazduh čist i da je poklopac filtera za vazduh pričvršćen pre podešavanja brzine praznog hoda.
  - Podesite brzinu praznog hoda pomoću zavrtnja za podešavanje T koji je označen oznakom „T”.
  - Brzina praznog hoda je ispravna kada motor ravnomerno radi u svim položajima. Brzina praznog hoda treba da bude znatno manja od brzine pri pokretanju priključka za košenje.
1. Okrenite zavrtnj za podešavanje u smeru kazaljke na satu sve dok priključak za košenje ne počne da se okreće. (Sl. 55 )
  2. Okrenite zavrtnj za podešavanje praznog hoda suprotno kretanju kazaljke na satu sve dok se priključak za košenje ne zaustavi.

## Održavanje hvatača varnica

Očistite hvatač varnica pomoću žičane četke. (Sl. 56 )

## Čišćenje sistema za hlađenje

Očistite delove sistema za hlađenje pomoću četke.

(Sl. 57 )

## Pregled svećice



**OPREZ:** Koristite preporučenu svećicu. Pobrinite se da je zamenjena svećica istog tipa kao ona isporučena od proizvođača. Neodgovarajuća svećica može izazvati oštećenje proizvoda.

1. Pregledajte svećicu kada:
  - a) motor ima malu snagu.
  - b) motor se teško pokreće.
  - c) motor ne radi ispravno u brzini praznog hoda.
2. Ako se motor teško pokreće ili radi sa poteškoćama, pregledajte da li na svećici postoje neželjeni

materijali. Da biste smanjili rizik od gomilanja neželjenog materijala na elektrodama svećice:

- uverite se da je brzina praznog hoda pravilno podešena.
  - uverite se da je mešavina goriva ispravna.
  - uverite se da je filter za vazduh čist.
3. Očistite svećicu ako je zaprljana. Proverite da li je ispravan zazor elektrode.(Sl. 58 )
4. Zamenite svećicu po potrebi.

## Nanošenje maziva na dvodelnu osovinu

- Nanesite mazivo na kraj pogonskog vratila nakon svakih 30 sati rada.(Sl. 59 )

## Održavanje filtera za vazduh

### Čišćenje filtera za vazduh

- Skinite poklopac filtera za vazduh i uklonite filter za vazduh.(Sl. 60 )
- Očistite filter za vazduh toplom sapunjavom vodom. Uverite se da je filter za vazduh suv pre nego što ga ponovo postavite.
- Zamenite filter za vazduh ako je previše zaprljan i ne može se propisno očistiti. Uvek zamenite oštećeni filter za vazduh.
- Ako proizvod ima penasti filter za vazduh, nanesite ulje za filter za vazduh. Nanesite ulje za filter za

vazduh samo na penasti filter. Nemojte nanositi ulje na filcani filter.

## Nanošenje ulja na filter za vazduh



**OPREZ:** Uvek koristite specijalno ulje za filter za vazduh na penastim filterima za vazduh. Nemojte koristiti druge tipove ulja.



**UPOZORENJE:** Vodite računa da vam ulje ne dospe na telo.

- Skinite poklopac filtera za vazduh i uklonite filter za vazduh.(Sl. 61 )
- Stavite filter za vazduh u plastičnu kesicu.
- Stavite ulje za filter za vazduh u plastičnu kesicu.(Sl. 62 )
- Pritisnite plastičnu kesicu kako biste osigurali da se ulje ravnomerno raspodeli preko filtera za vazduh.
- Pritisnite filter za vazduh, dok je u kesici, kako biste uklonili nepotrebno ulje za filter za vazduh. Izvadite filter za vazduh iz kesice.
- Postavite filter za vazduh.

## Nanošenje maziva u menjač ugla

Uverite se da je menjač ugla napunjen mazivom u količini od 3/4.

(Sl. 63 )

## TEHNIČKI PODACI

	jedinica	129C (A05328CCHV)	129L (A05328CSHV)	129LK (A05328CSHV)
<b>Specifikacije motora</b>				
Pomeranje cilindra	cm <sup>3</sup>	27,6	27,6	27,6
Razmak elektroda	mm	0,5	0,5	0,5
Zapremina rezervoara za gorivo	cm <sup>3</sup>	343	343	343
Brzina praznog hoda	min <sup>-1</sup>	2800 – 3200	2800 – 3200	2800 – 3200
Maksimalna brzina okretanja	min <sup>-1</sup>	8000	8000	8000
Izlazna snaga	kW	0,85	0,85	0,85
Svećica		Husqvarna HQT-4	Husqvarna HQT-4	Husqvarna HQT-4
Maksimalno obrtanje izlazne osovine	min <sup>-1</sup>	8500	7200	7200
<b>Podaci o buci i vibracijama</b>				
Ekvivalentni nivo vibracije (ahv, eq) leva ručica – pogledajte napomenu 1	m/s <sup>2</sup>	3,64	9,9	9,9

Ekvivalentni nivo vibracije (ahv, eq) desna ručica – pogledajte napomenu 1	m/s <sup>2</sup>	3,59	8,9	8,9
Nivo zvučne snage, garantovan (L <sub>WA</sub> ) – pogledajte napomenu 2	dB(A)	114	114	114
Nivo zvučne snage, izmeren – pogledajte napomenu 2	dB(A)	106	105	106
Nivo zvučnog pritiska kod uha rukovaoca – pogledajte napomenu 3	dB(A)	93	95	95
<b>Dimenzije proizvoda</b>				
Težina (bez opreme za košenje)	kg	4,61	5,21	5,98
<b>Napomena 1:</b> Podaci iz izveštaja za ekvivalentni nivo vibracija imaju tipičnu statističku disperziju (standardno odstupanje) od 1 m/s <sup>2</sup> .				
<b>Napomena 2:</b> Emisije buke u životnoj sredini merene kao zvučna snaga (L <sub>WA</sub> ) u skladu sa direktivom 2000/14/ EZ. Izveštajni nivo zvučne snage za mašinu meren je sa originalnim priključkom za košenje koji daje najviši nivo. Razlika između garantovanog i merenog nivoa zvučne snage je da garantovana zvučna snaga takođe obuhvata raspršenje rezultata merenja i razlike između različitih mašina istog modela u skladu sa Direktivom 2000/14/EZ.				
<b>Napomena 3:</b> Izveštajni podaci za ekvivalentni nivo zvučnog pritiska za mašinu uključuju tipično statističko raspršenje (standardno odstupanje) od 1 dB (A).				

## OPREMA

<b>129C</b>		
<b>Odobreni pribor</b>	<b>Tip</b>	<b>Štitnik priključka za košenje</b>
Navojna osovinica (3/8 R)		
Trimi glava	T25 (Ø 2,0 - 2,4 mm)	580 44 66-10
<b>129L, 129LK</b>		
<b>Odobreni pribor</b>	<b>Tip</b>	<b>Štitnik priključka za košenje</b>
Navojna osovinica (M10L)		
Trimi glava	T25 (Ø 2,0 - 2,4 mm)	580 44 66-06

<b>Opcionalni pribor</b>	<b>Tip</b>	<b>Koristiti sa</b>
Priključak za vučni sakupljač sa osovinom	SR600	129LK
Priključak za makaze za živu ogradu sa osovinom	HA850	129LK
Priključak za ivičar sa osovinom	EA850	129LK
Priključak za testeru sa osovinom	PA1100	129LK
Priključak za kultivator sa osovinom	CA150	129LK
Priključak za trimer za travu sa osovinom	TA850	129LK
Priključak za testeru sa osovinom	PAX1100	129LK

<b>Opcionalni pribor</b>	<b>Tip</b>	<b>Koristiti sa</b>
Priključak za testeru sa osovinom	PAX730	129LK

## SADRŽAJ EZ DEKLARACIJE O USAGLAŠENOSTI

Mi, kompanija Husqvarna AB, SE 561 82 Huskvarna, ŠVEDSKA, izjavljujemo pod sopstvenom odgovornošću da je predstavljeni proizvod:

Isporučeni benzinski trimer za travu/rezač žbunja usaglašen je sa primerkom koji je prošao pregled.

Opis	Benzinski trimer za travu/rezač žbunja
Marka	Husqvarna
Platforma/tip/model	Platforma A05328CCHV, reprezentativni model 129C  Platforma A05328CSHV, reprezentativni modeli 129L i 129LK
Serijska	Serijski broj od 2013. i nadalje

u potpunosti usaglašen sa sledećim EU direktivama i propisima:

Direktiva/propis	Opis
2006/42/EZ	„koji se odnose na mašine“
2014/30/EU	„koji se odnose na elektromagnetsku kompatibilnost“
2000/14/EZ	„koji se odnose na buku u otvorenom prostoru“

Primenjeni harmonizovani standardi i/ili tehničke specifikacije su sledeće: EN ISO 12100, EN ISO 11806-1, CISPR 12, ISO 14982

U skladu sa Direktivom 2000/14/EZ, Aneks V, deklarisanе vrednosti jačine zvuka su izložene u odeljku o tehničkim podacima u ovom uputstvu i u potpisanoj EZ Deklaraciji o usaglašenosti.

TÜV Rheinland N.A. je izvršio volonterski pregled u ime kompanije Husqvarna AB, te je pružio sertifikat o usaglašenosti sa Direktivom Saveta Evrope 2006/42/EZ za mašineriju.

Serfitikat, kako je obezbeđen na potpisanoj EZ Deklaraciji o usaglašenosti, primenjuje se na sve proizvodne lokacije i zemlje porekla, kako je navedeno na proizvodu.

---

## Sadržaj

---

UVOD.....	287	TEHNIČKI PODACI.....	294
SIGURNOST.....	288	PRIBOR.....	295
SASTAVLJANJE.....	291	SADRŽAJ DEKLARACIJE EC O USKLAĐENOSTI... 296	
RAD.....	291	.....	0
ODRŽAVANJE.....	293		

---

## UVOD

---

### Priručnik za rad

Inicijalni jezik priručnika za rad je engleski. Priručnici za rad na drugim jezicima su prijevodi s engleskog.

### Pregled

(Sl. 1 )

1. Glava za podrezivanje
2. Kapa dijela za sipanje maziva
3. Konusni pogon
4. Zaštitnik reznog dodatka
5. Vrat
6. Spojni dio osovine
7. Okrugla ručka
8. Poluga gasa
9. Prekidač za zaustavljanje
10. Blokada poluge gasa
11. Kapica svjećeice, svjećica
12. Kućište startera
13. Ručka konopa za paljenje
14. Rezervoar za gorivo
15. Poklopac filtera za zrak
16. Pumpica
17. Ručica za čok
18. Pogonska ploča
19. Priručnik za rad

### Simboli na proizvodu

- (Sl. 2 ) Upozorenje
- (Sl. 3 ) Pročitajte ovaj priručnik.
- (Sl. 4 ) Koristite odobrenu zaštitu za glavu.
- (Sl. 5 ) Koristite odobrenu zaštitu za uši.
- (Sl. 6 ) Koristite odobrenu zaštitu za oči.
- (Sl. 7 ) Koristite odobrene zaštitne rukavice.
- (Sl. 8 ) Koristite zaštitne cipele/čizme.
- Proizvod može uzrokovati izbacivanje predmeta, što može izazvati povrede očiju.
- (Sl. 9 )

- (Sl. 10 ) Proizvod može uzrokovati izbacivanje predmeta, što može izazvati povrede očiju.
- (Sl. 11 ) Maksimalna brzina izlaznog vratila
- (Sl. 12 ) Sigurna udaljenost
- (Sl. 13 ) Koristite samo odobreni flaks za trimer. Nemojte koristiti nož.
- (Sl. 14 ) Nemojte koristiti rezni dodatak koji je napravljen i od metala.
- (Sl. 15 ) Uvjerite se da dugu kosu stavite iznad ramena.
- (Sl. 16 ) Strelce pokazuju ograničenja za položaj ručke.
- (Sl. 17 ) Nivo jačine zvuka.
- (Sl. 18 ) Nivo buke
- (Sl. 19 ) Proizvod je usklađen s važećim EC direktivama.
- (Sl. 20 ) Proizvod je u skladu s važećim EAC direktivama.
- (Sl. 21 ) Proizvod je u skladu s važećim direktivama Ukrajine.

---

**Napomena:** Drugi simboli/naljepnice na proizvodu odnose se na zahtjeve certifikacije za druga komercijalna područja.

---

### Odgovornost za proizvod

Kao što je navedeno u zakonima o odgovornosti za proizvod, mi nismo odgovorni za oštećenja koja uzrokuje naš proizvod ako:

- je proizvod pogrešno popravljen.

- je proizvod popravljen koristeći dijelove koji nisu od proizvođača ili koji nisu odobreni od strane proizvođača.
- proizvod ima dodatnu opremu koju nije napravio proizvođač ili koju proizvođač ne odobrava.

- proizvod nije popravljen u nekom od odobrenih servisa ili od strane odobrenog tijela.

## SIGURNOST

### Definicija sigurnosti

Definicije u nastavku daju stepen ozbiljnosti za svaku signalnu riječ.



**UPOZORENJE:** Ozljeđe kod osoba.



**OPREZ:** Oštećenje na proizvodu.

**Napomena:** Ove informacije čine proizvod lakšim za korištenje.

### Opća sigurnosna uputstva

- Koristite proizvod na pravilan način. Povreda ili smrt je moguć ishod nepravilnog korištenja. Proizvod koristite samo za poslove koji su navedeni u ovom priručniku. Nemojte koristiti proizvod za druge poslove.
- Poštujte uputstva iz ovog priručnika. Poštujte sigurnosne simbole i sigurnosna uputstva. Ako operater ne poštuje uputstva i simbole, povreda, oštećenje ili smrt su mogući ishodi.
- Nemojte bacati ovaj priručnik. Koristite uputstva da sastavite, rukujete i održavate svoj proizvod u dobrom stanju. Koristite uputstva da biste pravilno ugradili priključke i dodatke. Koristite samo odobrene priključke i dodatke.
- Nemojte koristiti oštećen proizvod. Poštujte raspored održavanja. Obavljajte samo one radove na održavanju za koje pronađete uputstva u ovom priručniku Sve druge radove na održavanju mora obavljati ovlašten servisni centar
- Ovaj priručnik ne može uključivati sve situacije koje se mogu desiti kada koristite proizvod. Budite oprezni i koristite svoj zdrav razum. Nemojte rukovati proizvodom ili obavljati radove na održavanju proizvoda ako niste sigurni u vezi situacije. Za informacije se obratite stručnjaku za proizvod, svom trgovcu, servisnom zastupniku ili ovlaštenom servisnom centru.
- Isključite kabl svjećice prije nego što sastavite proizvod, odložite proizvod na skladište ili prije radova na održavanju.
- Nemojte koristiti proizvod ako je promijenjen od svoje inicijalne specifikacije. Nemojte mijenjati dio proizvoda bez odobrenja od proizvođača. Koristite

samo dijelove koji su odobreni od strane proizvođača. Povreda ili smrt je moguć ishod nepravilnog održavanja.

- Nemojte udisati pare iz motora. Dugotrajno inhaliranje ispušnih para motora je opasno po zdravlje.
- Nemojte pokretati proizvod u zatvorenom prostoru ili u blizini zapaljivih materijala. Izduvne pare su vruće i mogu sadržavati iskre koje mogu izazvati požar. Nedovoljan protok zraka može izazvati povredu ili smrt zbog nedostatka kisika ili ugljičnog monoksida.
- Kada koristite ovaj proizvod, motor stvara elektromagnetho polje. Elektromagnetho polje može izazvati oštećenje na medicinskim implantatima. Porazgovarajte s ljekarom i proizvođačem medicinskog implantata prije rada s proizvodom.
- Nemojte dopustiti da dijete rukuje proizvodom. Nemojte dopustiti osobi bez znanja o uputstvima da rukuje proizvodom.
- Uvjerite se da uvijek nadgledate osobu, sa smanjenim fizičkim kapacitetom ili mentalnim sposobnostima, koja koristi proizvod. Odgovorna osoba mora biti prisutna cijelo vrijeme.
- Zaključajte proizvod u području koje nije pristupačno djeci i neovlaštenim osobama.
- Proizvod može izbaciti predmete i izazvati povrede. Poštujte sigurnosna uputstva da biste smanjili opasnost od povrede ili smrti.
- Nemojte napuštati proizvod dok je motor uključen.
- Rukovalac proizvodom je odgovoran ako dođe do nezgode.
- Prije korištenja proizvoda, uvjerite se da dijelovi nisu oštećeni.
- Uvjerite se da se nalazite na minimalnoj udaljenosti od 15 m (50 stopa) od drugih osoba ili životinja prije korištenja proizvoda. Uvjerite se da osoba koja se nalazi u blizini upoznata da ćete koristiti proizvod.
- Pogledajte državne ili lokalne zakone. Oni mogu spriječiti ili smanjiti rad proizvoda u nekim uslovima.
- Nemojte koristiti proizvod kada ste umorni ili pod dejstvom alkohola, droga ili lijekova. Oni mogu uticati na vaš vid, opreznost, koordinaciju i rasuđivanje.

### Sigurnosna uputstva za rad

- Uvjerite se da je proizvod u potpunosti sastavljen prije korištenja istog.
- Prije početka, pomjerite proizvod na udaljenost od 3 m (10 stopa) od položaja gdje punite gorivo. Postavite proizvod na ravnu površinu. Uvjerite se da rezni dodatak ne dodiruje tlo ili druge predmete.



- Proizvod može uzrokovati izbacivanje predmeta, što može izazvati povrede očiju. Uvijek koristite odobrenu zaštitu za oči kada rukujete proizvodom.
- Budite oprezni, dijete može doći u blizinu proizvoda bez vašeg znanja tokom rada.
- Nemojte rukovati proizvodom ako se u radnom području nalaze osobe. Zaustavite proizvod ako osoba uđe u radno područje.
- Uvjerite se da uvijek imate kontrolu nad proizvodom.
- Nemojte koristiti proizvod ako ne možete primiti pomoć u slučaju da se dogodi nezgoda. Uvijek osigurajte da drugi znaju da ćete rukovati proizvodom prije nego što počete raditi s proizvodom.
- Nemojte se okretati s proizvodom prije nego što se uvjerite da nema osoba ili životinja u sigurnosnom području.
- Uklonite sve neželjene materijale iz radnog područja prije nego počnete s radom. Ako rezni dodatak udari u neki predmet, taj predmet se može izbaciti iz proizvoda i izazvati povredu ili oštećenje. Neželjeni materijal se može okretati oko reznog dodatka i izazvati oštećenje.
- Nemojte koristiti proizvod pod lošim vremenskim uslovima (magla, kiša, jak vjetar, opasnosti od groma ili drugi vremenski uslovi) Opasni uslovi (kao što je klizava površina) se mogu pojaviti uslijed lošeg vremena.
- Provjerite možete li se slobodno kretati u stabilnom položaju.

## Zaštitni uređaji na proizvodu.

- Uvjerite se da redovno obavljate održavanje proizvoda.
  - Životni vijek proizvoda se time povećava.
  - Opasnost od nezgoda se smanjuje.
- Dopustite ovlaštenom trgovcu ili ovlaštenom servisnom centru da redovno ispituju proizvod kako bi obavili prilagođavanja ili popravke.
- Nemojte koristiti proizvod koristeći oštećenu zaštitnu opremu. Ako je proizvod oštećen, obratite se ovlaštenom servisnom centru.

## Blokada poluge gasa

Isključivanjem poluge gasa zaključava se poluga gasa. (Sl. 24 )

Pritisnite za isključivanje poluge gasa (A) da oslobodite polugu gasa (B). Kada oslobodite ručku, isključivanje poluga gasa se vraća nazad u svoj početni položaj.

1. Uvjerite se da je poluga gasa (B) zaključana u stanju mirovanja kada oslobodite isključivanje poluge gasa (A).
2. Pritisnite za isključivanje poluge gasa (A) i uvjerite se da se ona vraća u svoj početni položaj kada je oslobodite.
3. Pritisnite polugu gasa (A) i uvjerite se da se ona vraća u svoj početni položaj kada je oslobodite.

Pokrenite motor i potom dajte puni gas. Oslobodite polugu gasa i ispitajte da li se rezni dodatak zaustavlja. Ako se rezni dodatak okreće s gasom u položaju mirovanja, ispitajte vijak za podešavanje u stanju mirovanja u karburatoru.

## Prekidač za zaustavljanje

Pokrenite motor. Provjerite da li se motor zaustavlja kada prekidač za zaustavljanje pomjerite u položaj za zaustavljanje.

(Sl. 25 )

## Zaštitnik reznog dodatka

Zaštitnik reznog dodatka sprečava da se labavi dijelovi izbace u smjeru rukovaoca.

(Sl. 26 )

## Lična zaštitna oprema

- Uvijek koristite pravilnu opremu za ličnu zaštitu kada rukujete proizvodom. Oprema za ličnu zaštitu ne eliminiše opasnost od povrede. Oprema za ličnu zaštitu smanjuje stepen povrede ako se nezgoda desi.
- Uvijek koristite odobrenu zaštitu za oči dok rukujete proizvodom.

Ispitajte zaštitnik reznog dodatka radi oštećenja i zamijenite ga ako je oštećen. Koristite samo odobrene zaštitnike za rezni dodatak.

## Auspuh

- Nemojte koristiti motor s oštećenim auspuhom. Oštećeni auspuh povećava nivo buke i opasnost od požara. Držite aparat za gašenje požara u blizini.
- Redovno provjeravajte da je auspuh pričvršćen za proizvod.
- Nemojte dodirivati motor ili auspuh kada je motor uključen. Nemojte dodirivati motor ili auspuh tokom nekog vremena nakon što se motor zaustavi. Vruće površine mogu izazvati povredu.
- Vrući auspuh može izazvati požar. Budite oprezni, ako koristite proizvod u blizini zapaljivih tečnosti ili para.
- Nemojte dodirivati dijelove na auspuhu, ako je auspuh oštećen. Dijelovi mogu sadržavati neke kancerogene hemikalije.

## Rezni dodatak

- Obavljajte redovno održavanje. Dopustite ovlaštenom servisnom centru da redovno ispituju rezni dodatak kako bi obavili prilagođavanja ili popravke.
  - Performanse reznog dodatka se time povećavaju.
  - Životni vijek reznog dodatka se time povećava.
  - Opasnost od nezgoda se smanjuje.
- Koristite samo odobreni zaštitnik reznog dodatka. Za više informacija, pogledajte *TEHNIČKI PODACI na strani 294*.
- Nemojte koristiti oštećen rezni dodatak.

## Glava trimera za travu

- Uvjerite se da flaks za trimer namotate čvrsto i ravnomjerno oko doboša kako biste smanjili vibracije.
- Koristite samo odobrene glave trimera za travu i flaks trimera za travu. Pogledajte *TEHNIČKI PODACI na strani 294*.
- Koristite pravilnu dužinu flaksa za trimer. Flaks za trimer za dugu travu koristi veću snagu motora nego flaks za trimer za kratku travu.
- Uvjerite se da sječivo na zaštitniku reznog dodatka nije oštećeno.
- Umočite flaks za trimer u vodu tokom 2 dana prije nego što pričvrstite flaks za trimer na proizvod. To povećava životni vijek flaksa za trimer.

## Sigurnosne mjere pri rukovanju sa gorivom

- Nemojte pokretati proizvod ako u proizvodu ima goriva ili motornog ulja na proizvodu. Odstranite

neželjeno gorivo/ulje i dopustite da se proizvod osuši. Odstranite neželjeno gorivo s proizvoda.

- Ako prolijete gorivo po odjeći, odmah presvucite odjeću.
- Nemojte dopustiti da gorivo dospije na tijelo, to može izazvati povredu. Ako gorivo dospije na odjeću, koristite sapun i vodu da odstranite gorivo.
- Nemojte pokretati motor ako prolijete ulje ili gorivo po proizvodu ili po svom tijelu.
- Nemojte pokretati proizvod ako se na motoru javlja curenje. Redovno provjeravajte motor na curenje.
- Budite oprezni s gorivom. Gorivo je zapaljivo i pare su eksplozivne i mogu izazvati povrede ili smrt.
- Nemojte udisati pare od goriva, to može izazvati povredu. Uvjerite se da ima dovoljno protoka zraka.
- Nemojte pušiti u blizini goriva ili motora.
- Nemojte stavljati tople predmete u blizini goriva ili motora.
- Nemojte dodavati gorivo kada je motor uključen.
- Uvjerite se da je motor hladan prije nego dopunite gorivo.
- Prije dopunjavanja gorivom, otvorite poklopac rezervoara za gorivo i pažljivo oslobodite pritisak.
- Nemojte dodavati gorivo u motor u zatvorenom prostoru. Nedovoljni protok zraka može izazvati povredu ili smrt zbog nedostatka kisika ili ugljičnog monoksida.
- Pažljivo pričvrstite poklopac spremnika za gorivo ili bi moglo doći do požara.
- Pomjerite proizvod minimalno 3 m (10 stopa) od položaja gdje ste punili spremnik za gorivo prije pokretanja proizvoda.
- Nemojte stavljati previše goriva u spremnik za gorivo.
- Uvjerite se da ne može doći do curenja kada pomjerite proizvod ili spremnika za gorivo.
- Nemojte stavljati proizvod ili spremnik za gorivo gdje postoji otvoreni plamen, iskra ili plinski plamen. Uvjerite se da područje za skladištenje ne sadrži otvoreni plamen.
- Koristite samo odobrene spremnika kada pomjerate gorivo ili stavljate gorivo u skladište.
- Ispraznite spremnik za gorivo prije dugotrajnog skladištenja. Poštujte lokalni zakon o tome gdje odlagati gorivo.
- Očistite proizvod prije dugotrajnog skladištenja.
- Skinite kabl sječvice prije nego što stavite proizvod u skladište kako biste bili sigurni da se motor neće pokrenuti slučajno.

## Sigurnosna uputstva za održavanje

- Ako ne možete podesiti brzinu u praznom hodu da biste zaustavili rezni dodatak, obratite se servisnom centru. Ne upotrebljavajte proizvod dok proizvod ne bude pravilno podešen ili popravljen.

## SASTAVLJANJE



**UPOZORENJE:** Pročitajte poglavlje za sigurnosna uputstva prije nego sastavite proizvod.

### Da biste pričvrstili okruglu ručku

1. Pričvrstite okruglu ručku na osovinu kako je prikazano na ilustraciji i stegnite. (Sl. 27 )
2. Uvjerite se da okrugla ručka bude u pričvršćena između strelica na osovinu.

### Da biste sastavili dvodijelnu osovinu.

1. Okrenite tipku da olabavite spojni dio osovine. (Sl. 28 )
2. Poravnajte jezičak osovine (A) sa strelicom na spojnom dijelu osovine (B). (Sl. 29 )
3. Gurnite osovinu u spojni dio osovine dok ne nalegne. (Sl. 30 )
4. Uvjerite se da ste pričvrstili tipku prije korištenja proizvoda. (Sl. 31 )

### Da biste rastavili dvodijelnu osovinu.

1. Okrenite tipku da olabavite spojni dio osovine. (Sl. 32 )
2. Pritisnite i držite dugme (C). (Sl. 33 ) Držite kraj motora i povucite osovinu van iz spojnog dijela osovine.

### Da biste sastavili rezni dodatak

#### Da biste pričvrstili zaštitnik reznog dodatka i glavu trimera (ravna osovina.)

1. Pričvrstite zaštitnik reznog dodatka (A) na osovinu pomoću vijka (L). (Sl. 34 ) Uvjerite se da koristite ispravan zaštitnik reznog dodatka i ispravnu glavu trimera.
2. Postavite pogonski disk (B) na izlaznu osovinu.
3. Okrećite izlaznu osovinu sve dok se rupa na pogonskom disku ne izravna s odgovarajućom rupom na kućištu opreme.
4. Stavite mali odvijač (C) u rupicu da zaključate osovinu. (Sl. 35 )
5. Okrenite glavu trimera (H) u smjeru suprotnom od smjera kazaljke na satu da biste pritegnuli glavu trimera na mjenjač. (Lijevi navoji) (Sl. 36 )

#### Da biste pričvrstili zaštitnik reznog dodatka i glavu trimera (zakrivljena osovina.)

1. Pričvrstite zaštitnik. (Sl. 37 ) Pritegnite navrtku.
2. Pričvrstite poklopac za prašinu na osovinu. (Sl. 38 )
3. Držite poklopac za prašinu pomoću podesivog ključa kako biste se uvjerali da se osovina ne okreće.
4. Pričvrstite glavu trimera na osovinu. Okrenite glavu trimera u smjeru kretanja kazaljke na satu.

## RAD



**UPOZORENJE:** Pročitajte i proučite poglavlje za sigurnosna uputstva prije početka rada s proizvodom.

### Gorivo

#### Korištenje goriva



**OPREZ:** Ovaj proizvod ima dvotaktni motor. Koristite mješavinu benzina i ulja za dvotaktni motor. Uvjerite se da koristite tačnu količinu ulja u smjesi. Netačan odnos benzina i ulja može izazvati oštećenje na motoru.

### Benzin



**OPREZ:** Nemojte koristiti benzin s brojem oktana koji je manji od 90 RON (87 AKI). To može izazvati oštećenje na proizvodu.



**OPREZ:** Nemojte koristiti benzin s više od 10% koncentracije etanola (E10). To može izazvati oštećenje na proizvodu.

- Uvijek koristite novi bezolovni benzin s minimalnim brojem oktana od 90 RON (87 AKI) i s manje od 10% koncentracije etanola (E10).
- Koristite benzin s većim brojem oktana ako često koristite proizvod pri kontinuirano visokoj brzini.

#### Ulje za dvotaktni motor

- Koristite samo ulje za dvotaktne motore visokog kvaliteta. Koristite samo zrakom hladeno motorno ulje.
- Nemojte koristiti druge tipove ulja.
- Omjer smjese 50:1 (2%)

Benzin	Ulje
1 SAD galon	77 ml (2,6 unci)
1 UK galon	95 ml (3,2 unce)

Benzin	Ulje
5 l	100 ml (3,4 unce)

## Za pravljenje mješavine goriva

**Napomena:** Uvijek koristite čist spremnik za gorivo kada pravite mješavinu goriva.

**Napomena:** Nemojte praviti količinu mješavine goriva za više od 30 dana.

1. Dodajte polovinu količine benzina.
2. Dodajte punu količinu ulja.
3. Protresite mješavinu goriva kako biste izmiješali sadržaj.
4. Dodajte preostalo količinu benzina.
5. Protresite mješavinu goriva kako biste izmiješali sadržaj.
6. Napunite spremnik za gorivo.

## Da biste dodali gorivo

- Uvijek koristite spremnik goriva s ventilom protiv prolijevanja.
- Ako je u spremniku ostalo nešto goriva, uklonite neželjeno gorivo i ostavite da se spremnik osuši.
- Uvjerite se da je područje koje se nalazi u blizini spremnika za gorivo čisto.
- Protresite spremnik za gorivo prije nego što dodate mješavinu goriva u spremnik za gorivo.

## Pokretanje i zaustavljanje

### Prije nego što pokrenete motor

- Provjerite proizvod po pitanju nedostajućih, oštećenih, labavih ili pohabanih dijelova.
- Provjerite podloške, vijke i navrtke.
- Provjerite filter za zrak.
- Provjerite blokadu poluga gasa i kontrolu gasa radi ispravnog rada.
- Provjerite prekidač za zaustavljanje radi ispravnog rada.
- Pregledajte ima li curenja goriva na proizvodu.
- Provjerite naoštrenost i zategnutost lanca pile.

### Pokretanje hladnog motora

1. Pritisnite pumpicu 10 puta. (Sl. 39 )
2. Povucite ručicu za kontrolu čoka prema gore. (Sl. 40 )
3. Kućište proizvoda držite na tlu lijevom rukom. (Sl. 41 ) Nemojte stajati na proizvod. Povucite ručku konopa za paljenje dok ne osjetite otpor. Zatim povucite ručku konopa za paljenje koristeći silu.

**Napomena:** Nemojte povlačiti polugu gasa prilikom pokretanja motora.

4. Nastavite povlačiti ručku konopa za paljenje dok se motor ne pokrene ili pokušajte pokrenuti (maksimalno 3 povlačenja). Ako se motor pokrene ili pokušajte pokrenuti, pritisnite ručicu za čok prema dolje. Nastavite povlačiti dok se motor ne pokrene. Sačekajte 60 sekundi nakon pokretanja prije nego što povučete polugu gasa.



**OPREZ:** Nemojte povlačiti konop za paljenje dok se ne zaustavi. Ne puštajte konop za paljenje kada je izvučen do kraja. Polako otpustite konop za paljenje. Ako se ne pridržavate ovih uputstava, to može izazvati oštećenje na motoru.

## Da biste pokrenuli zagrijan motor.

1. Pritisnite pumpicu 10 puta.
2. Povlačite konop za paljenje dok se motor ne pokrene.

## Zaustavljanje

- Pritisnite prekidač za zaustavljanje da zaustavite motor. (Sl. 42 )

**Napomena:** Prekidač za zaustavljanje se automatski vraća u svoj početni položaj.

## Rukovanje trimmerom za travu



**OPREZ:** Uvjerite se da ste mašinu usporili na brzinu u praznom hodu nakon svake operacije. Dugi period pri punom gasu bez opterećenja na motoru može uzrokovati oštećenje motora.

**Napomena:** Očistite poklopac glave trimera kada postavljate novi flaks za trimmer kako biste spriječili vibracije. Provjerite ostale dijelove glave trimera i očistite ih po potrebi.

## Trimovanje trave

1. Glavu za podrezivanje držite nakošeno odmah iznad tla. (Sl. 43 ) Nemojte gurati flaks trimera u travu.
2. Smanjite dužinu flaksa za trimmer za 10-12 cm (4-4.75 inča) i smanjite brzinu motora kako biste smanjili rizik da oštetite biljke.
3. Koristite 80% gasa kada režete travu u blizini predmeta. (Sl. 44 )

## Rezanje trave

1. Pazite da flaks za trimmer bude paralelan s tlom kada obavljate rezanje. (Sl. 45 )
2. Nemojte pritisnuti glavu trimera u tlo. To može oštetiti tlo i proizvod.

3. Nemojte dopustiti da glava trimera stalno dodiruje tlo, to može izazvati oštećenje glave trimera.
4. Koristite puni gas kada pomjerate proizvod s mjesta na mjesto da biste rezali travu.(Sl. 46 ) Uvjerite se da je flaks za trimer paralelan s tlom

(Sl. 48 )  
(Sl. 49 )  
(Sl. 50 )  
(Sl. 51 )  
(Sl. 52 )  
(Sl. 53 )  
(Sl. 54 )

## Da biste zamijenili flaks za trimer

(Sl. 47 )

---

# ODRŽAVANJE

---



**UPOZORENJE:** Pročitajte i proučite poglavlje za sigurnosna uputstva prije čišćenja, popravljanja ili održavanja proizvoda.

## Plan održavanja

Uvjerite se da se pridržavate rasporeda održavanja. Intervali se računaju prema dnevnoj upotrebi proizvoda. Intervali se razlikuju ko ne koristite proizvod svaki dan. Obavljajte samo one radove na održavanju koje pronađete u ovom priručniku Obratite se ovlaštenom servisnom centru u vezi drugih radova na održavanju koje ne možete pronaći u ovom priručniku.

### Sedmično održavanje

- Očistite vanjske površine.
- Provjerite brzinu u praznom hodu.
- Provjerite podmazanost konusnog pogona (ravna osovina).

### Mjesečno održavanje

- Provjerite ručku konopa za paljenje i konop za paljenje.

### Godišnje održavanje

- Provjerite svjećicu.
- Podmažite kraj pogonske osovine (dvodijelna osovina).
- Očistite vanjske površine karburatora i područja u njegovoj blizini.
- Očistite sistem za hlađenje.
- Provjerite zaslon odvodnika iskri.
- Provjerite filter za gorivo.
- Provjerite crijevo goriva radi oštećenja.
- Ispitajte sve kablove i spojeve.

### 50 sati održavanja

- Dopustite da ovlaštenu servisnu centar popravi ili zamijeni auspuh.

## Da biste podesili brzinu u praznom hodu

- Uvjerite se da je filter za zrak čist i da je poklopac filtera za zrak pričvršćen prije nego što podesite brzinu u praznom hodu.

- Podesite brzinu u praznom hodu pomoću vijka za podešavanje brzine u praznom hodu T koji je označen oznakom "T".
- Brzina u praznom hodu je pravilno namještena kada motor glatko radi u svakom položaju. Brzina u praznom hodu mora biti manja od brzine pri kojoj se rezni dodatak počinje okretati.

1. Okrenite vijak u smjeru kretanja kazaljki na satu dok se rezni dodatak ne pođe okretati.(Sl. 55 )
2. Okrenite vijak za podešavanje brzine u praznom hodu u smjeru suprotnom od smjera kretanja kazaljki na satu dok se rezni dodatak ne zaustavi.

## Da biste obavili radove na održavanju na zaslonu odvodnika iskri

Koristite žičanu četku da očistite mrežicu odvodnika iskri.

(Sl. 56 )

## Čišćenje sistema za hlađenje

Četkom očistite dijelove sistema za hlađenje.

(Sl. 57 )

## Da biste provjerili svjećicu



**OPREZ:** Koristite preporučene svjećice. Uvjerite se da zamijenjeni dio bude isti kao i dio kojeg je osigurao proizvođač. Nepravilna svjećica može izazvati oštećenje na proizvodu.

1. Provjerite svjećicu kada:
  - a) je motor pri malo jačini,
  - b) se motor ne pokreće lako,
  - c) motor ne radi ispravno pri brzini u praznom hodu.
2. Ako se motor ne pokreće lako ili ne radi glatko, provjerite svjećicu zbog neželjenih materijala. Da biste smanjili opasnost od neželjenih materijala na elektrodama svjećice:
  - a) uvjerite se da je brzinu u praznom hodu ispravno podešena,
  - b) uvjerite se da je mješavina goriva ispravna,
  - c) uvjerite se da je filter za zrak čist.

- Očistite svjeću ako je prljava. Provjerite zazor između elektroda. (Sl. 58 )
- Zamijenite svjeću kad je to potrebno.

## Da biste podmazali dvodijelnu osovinu.

- Podmažite kraj pogonske osovine nakon svakih 30 sati rada. (Sl. 59 )

## Za održavanje filtera

### Čišćenje zračnog filtera

- Uklonite poklopac filtera za zrak i uklonite filter za zrak. (Sl. 60 )
- Očistite filter za zrak toplom sapunjavom vodom. Uvjerite se da je filter za zrak suh prije nego ga postavite.
- Zamijenite filter zraka ako je previše prljav kako biste ga potpuno očistili. Uvijek zamijenite oštećeni filter za zrak.
- Ako vaš proizvod ima pjenasti filter za zrak, nanesite ulje za filter za zrak. Nanesite samo ulje za filter za zrak na pjenasti filter. Nemojte nanositi ulje na felt filter.

### Da biste nanijeli ulje za filter za zrak na zračni filter



**OPREZ:** Uvijek koristite posebno ulje za filter za zrak na pjenaste zračne filtere. Nemojte koristiti druge tipove ulja.



**UPOZORENJE:** Nemojte dopustiti da ulje dospije na vaše tijelo.

- Uklonite poklopac filtera za zrak i uklonite filter za zrak. (Sl. 61 )
- Stavite filter za zrak u plastičnu vrećicu.
- Stavite ulje za filter za zrak u plastičnu vrećicu. (Sl. 62 )
- Pritisnite plastičnu vrećicu kako biste osigurali da se ulje raspoređuje jednako širom filtera za zrak.
- Pritisnite filter za zrak dok je u vrećici, kako biste uklonili ulje za filter za zrak koje nije potrebno. Uklonite filter za zrak iz vrećice.
- Postavite filter za zrak.

## Da biste podmazali konusni pogon

Provjerite je li konusni pogon napunjen do 3/4 masti za konusni pogon.

(Sl. 63 )

## TEHNIČKI PODACI

	jedinica	129C (A05328CCHV)	129L (A05328CSHV)	129LK (A05328CSHV)
<b>Specifikacije motora</b>				
Pomicanje cilindra	cm <sup>3</sup>	27,6	27,6	27,6
Razmak između elektroda	mm	0,5	0,5	0,5
Zapremina spremnika za gorivo	cm <sup>3</sup>	343	343	343
Brzina pri mirovanju	min <sup>-1</sup>	2800 - 3200	2800 - 3200	2800 - 3200
Brzina pri maksimalnoj snazi	min <sup>-1</sup>	8000	8000	8000
Izlazna snaga	kW	0,85	0,85	0,85
Svjeća		Husqvarna HQT-4	Husqvarna HQT-4	Husqvarna HQT-4
Maksimalna izlazna rotacija osovine	min <sup>-1</sup>	8500	7200	7200
<b>Podaci o buci i vibracijama</b>				

Ekvivalentni nivo vibracije (ahv, ekv) lijeva strana - vidi napomenu 1	m/s <sup>2</sup>	3,64	9,9	9,9
Ekvivalentni nivo vibracije (ahv, ekv) desna strana - vidi napomenu 1	m/s <sup>2</sup>	3,59	8,9	8,9
Nivo jačine zvuka, garantovano (L <sub>WA</sub> ) - vidi napomenu 2	dB(A)	114	114	114
Nivo jačine zvuka, izmjereno - vidi napomenu 2	dB(A)	106	105	106
Nivo pritiska zvuka u uhu rukovaoca - vidi napomenu 3	dB(A)	93	95	95
<b>Dimenzije proizvoda</b>				
Težina (isključujući reznu opremu)	kg	4,61	5,21	5,98
<b>Napomena 1:</b> Prijavljeni podaci ekvivalentnih nivoa vibracije posjeduju tipičnu statičku disperziju (standardno odstupanje) od 1 m/s <sup>2</sup> .				
<b>Napomena 2:</b> Emisije buke u okruženju mjerene kao jačina zvuka (L <sub>WA</sub> ) u skladu s Direktivom EC 2000/14/EC. Prijavljeni nivo jačine zvuka za mašinu izmjeren je s originalnim reznim dodatkom koji daje najviši nivo. Razlika između garantirane i izmjerene jačine zvuka je u tome da garantirana jačina zvuka obuhvata i disperziju rezultata mjerenja i varijacije između različitih mašina istog modela u skladu s Direktivom 2000/14/EC.				
<b>Napomena 3:</b> Prijavljeni podaci za ekvivalentni nivo pritiska zvuka za mašinu imaju tipičnu statističku disperziju (standardno odstupanje) od 1 dB (A).				

## PRIBOR

<b>129C</b>		
<b>Odobreni pribor</b>	<b>Tip</b>	<b>Zaštitnik reznog dodatka</b>
Osovina s navojima (3/8 R)		
Glava za podrezivanje	T25 (Ø 2.0 - 2.4 mm)	580 44 66-10
<b>129L, 129LK</b>		
<b>Odobreni pribor</b>	<b>Tip</b>	<b>Zaštitnik reznog dodatka</b>
Osovina s navojem (M10L)		
Glava za podrezivanje	T25 (Ø 2.0 - 2.4 mm)	580 44 66-06

<b>Opcijski pribor</b>	<b>Tip</b>	<b>Koristite sa</b>
Priključak s osovinom za čišćenje	SR600	129LK
Priključak s osovinom za trimmer za živu ogradu	HA850	129LK
Priključak s osovinom za rezanje rubova	EA850	129LK
Priključak s osovinom za pilu	PA1100	129LK
Priključak s osovinom za kultivator	CA150	129LK
Priključak s osovinom za trimmer za travu	TA850	129LK

Opcijski pribor	Tip	Koristite sa
Priključak s osovinom za pilu	PAX1100	129LK
Priključak s osovinom za pilu	PAX730	129LK

## SADRŽAJ DEKLARACIJE EC O USKLAĐENOSTI

Mi, Husqvarna AB, SE 561 82 Huskvarna, ŠVEDSKA, izjavljujemo pod punom odgovornošću da predstavljeni proizvod:

<b>Opis</b>	<b>Benzinski trimer za travu / čistač grmova</b>
Brend	Husqvarna
Platforma / tip / model	Platforma A05328CCHV, predstavlja model 129C  Platforma A05328CSHV, predstavlja modele 129L i 129LK
Serija	Serijski broj s datumom od 2013 i nadalje

u potpunosti su u skladu sa sljedećim EU direktivama i propisima:

Direktiva/propis	Opis
2006/42/EC	"o mašinama"
2014/30/EU	"o elektromagnetnoj kompatibilnosti"
2000/14/EC	"o spoljnoj buci"

Harmonizirani standardi i/ili tehničke specifikacije koje su primijenjene su kako slijedi: EN ISO 12100, EN ISO 11806-1, CISPR 12, ISO 14982

U skladu s direktivom 2000/14/EC, Aneks V, deklarirane vrijednosti zvuka su navedene u odjeljku za tehničke podatke ovog priručnika i u potpisanoj Deklaraciji EC o usklađenosti.

Organizacija TÜV Rheinland N.A. je izvršila dobrovoljno ispitivanje u ime kompanije Husqvarna AB i dodijelila certifikat o usklađenosti s Direktivom vijeća EC 2006/42/EC za mašinsku opremu.

Certifikat, kao što je navedeno u potpisanoj Deklaraciji EC o usklađenosti, primjenjuje se na svim lokacijama proizvođača i u zemljama porijekla, kao što je navedeno na proizvodu.

Isporučeni benzinski trimer za travu / čistač grmova usklađen je s primjerom koji je bio podvrgnut ispitivanju.











[www.husqvarna.com](http://www.husqvarna.com)

Original instructions  
Originalanweisungen  
Instructions d'origine  
Instrucciones originales  
Istruzioni originali  
Originele instructies  
Bruksanvisning i original  
Originale instruksjoner  
Originale instruktioner  
Alkuperäiset ohjeet  
Instruções originais  
Αρχικές οδηγίες  
Põlvodni pokyny  
Originalne upute

Izvirna navodila  
Oryginalne instrukcje  
Põlvodné pokyny  
Eredeti útmutatás  
Оригинальные инструкции  
Originaaljuhend  
Originalios instrukcijos  
Lietošanas pamācība  
Оригинални инструкции  
Instrucțiuni inițiale  
Orijinal talimatlar  
Оригинальні інструкції  
Originalna uputstva  
Originalna uputstva

1158838-38



2018-03-09