



# Husqvarna®



122C, 122LK

EN Operator's manual  
ES-MX Manual del usuario  
FR-CA Manuel d'utilisation

2-21  
22-44  
45-66

---

## Contents

---

Introduction.....	2	Troubleshooting.....	17
Safety.....	4	Transportation and storage.....	17
Assembly.....	8	Technical data.....	18
Operation.....	10	Accessories.....	19
Maintenance.....	14	Warranty.....	20

---

## Introduction

---

### Product description

The product is a grass trimmer with a combustion engine.

Work is constantly in progress to increase your safety and efficiency during operation. Speak to your servicing dealer for more information.

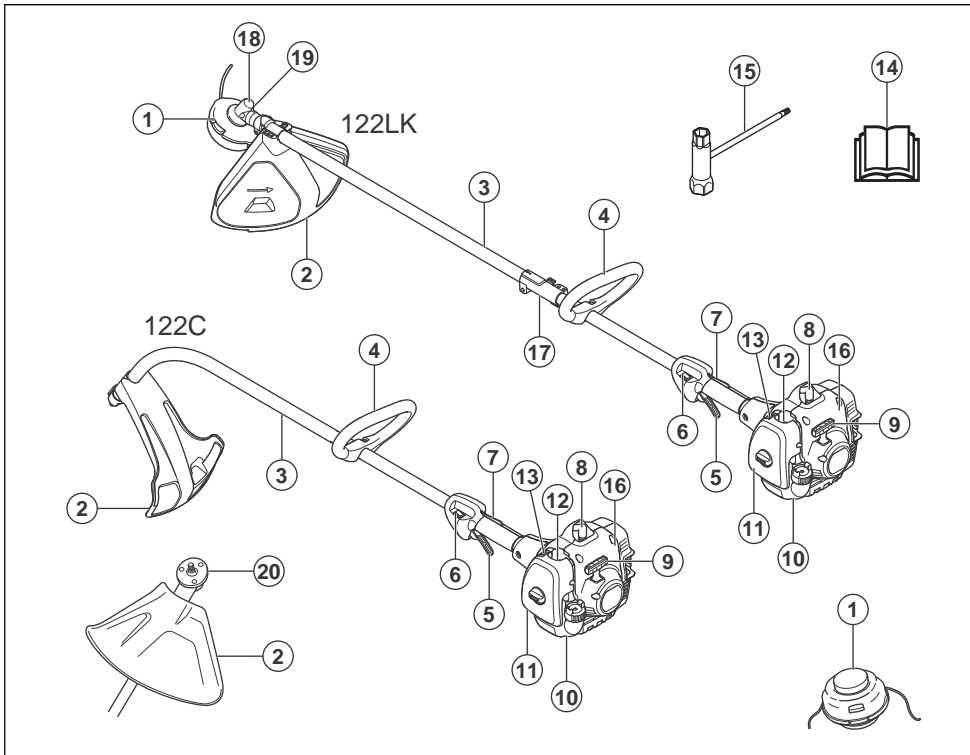
### Intended use

The product is used with a trimmer head to cut grass. Do not use the product for other tasks than grass trimming and grass clearing.

**Note:** National regulations can set limit to the operation of the product.

---

### Product overview



- |                             |                |
|-----------------------------|----------------|
| 1. Trimmer head             | 3. Shaft       |
| 2. Cutting attachment guard | 4. Loop handle |

5. Throttle trigger
6. Stop switch
7. Throttle trigger lockout
8. Spark plug cap and spark plug
9. Starter rope handle
10. Fuel tank
11. Air filter cover
12. Air purge bulb
13. Choke control
14. Operator's manual
15. Combination wrench
16. Starter housing
17. Shaft coupling
18. Bevel gear
19. Grease filler cap, bevel gear
20. Drive disc

## Symbols on the product



**WARNING!** This product is dangerous. Injury or death can occur to the operator or bystanders if the product is not used carefully and correctly. To prevent injury to the operator or bystanders, read and obey all safety instructions in the operator's manual.



Read the operator's manual carefully and make sure that you understand the instructions before use.



Use a protective helmet in locations where objects can fall on you. Use approved hearing protection. Use approved eye protection.



Maximum speed of the output shaft.



The product agrees with the applicable EC directives.



The product can cause objects to eject, which can cause injury.



Keep a minimum of 15 m distance to persons and animals during operation of the product.



Use approved protective gloves.



Use heavy-duty slip-resistant boots.



Only use flexible cutting wire. Do not use metal cutting attachments.



Noise emission to the environment refer to the European Community's Directive. The emission of the product is specified in the Technical data chapter and on the label.



Air purge bulb.



Choke.

yyyywwxxxx

The rating plate shows the serial number. **yyyy** is the production year, **ww** is the production week.

**Note:** Other symbols/decals on the product refer to certification requirements for other commercial areas.

## EPA III

### EMISSION CONTROL INFORMATION

Husqvarna

HUSQVARNA AB HUSKVARNA SWEDEN

THIS ENGINE MEETS U S EPA AND CALIFORNIA  
EXH/EVP REGS FOR [ ] SORE . REFER TO OPERATOR'S  
MANUAL FOR MAINTENANCE SPECIFICATIONS AND  
ADJUSTMENTS. EMISSIONS COMPLIANCE PERIOD : [ ]

The Emissions Compliance Period referred to on the Emission Compliance label indicates the number of operating hours for which the engine has been shown to meet Federal and California emissions requirements.

## California Proposition 65

**⚠ WARNING!**

The engine exhaust from this product contains chemicals known to the State of California to cause cancer, birth defects or other reproductive harm.

## Customer assistance

For customer assistance, call: 1-800-487-5951 or visit [www.husqvarna.com](http://www.husqvarna.com).

## Product liability

As referred to in the product liability laws, we are not liable for damages that our product causes if:

- the product is incorrectly repaired.
- the product is repaired with parts that are not from the manufacturer or not approved by the manufacturer.
- the product has an accessory that is not from the manufacturer or not approved by the manufacturer.
- the product is not repaired at an approved service center or by an approved authority.

---

## Safety

---

### Safety definitions

Warnings, cautions and notes are used to point out specially important parts of the manual.



**WARNING:** Used if there is a risk of injury or death for the operator or bystanders if the instructions in the manual are not obeyed.



**CAUTION:** Used if there is a risk of damage to the product, other materials or the adjacent area if the instructions in the manual are not obeyed.

**Note:** Used to give more information that is necessary in a given situation.

### General safety instructions



**WARNING:** Read the warning instructions that follow before you use the product.

- Use the product correctly. Injury or death is a possible result of incorrect use. Only use the product for the tasks found in this manual. Do not use the product for other tasks.
- Obey the instructions in this manual. Obey the safety symbols and the safety instructions. If the operator does not obey the instructions and the symbols, injury, damage or death is a possible result.
- Do not discard this manual. Use the instructions to assemble, to operate and to keep your product in good condition. Use the instructions for correct installation of attachments and accessories. Only use approved attachments and accessories.
- Do not use a damaged product. Obey the maintenance schedule. Only do the maintenance work that you find an instruction about in this manual. An approved service center must do all other maintenance work.
- This manual cannot include all situations that can occur when you use the product. Be careful and use your common sense. Do not operate the product or do maintenance on the product if you are not sure about of the situation. Speak to a product expert, your dealer, service agent or approved service center for information.
- Disconnect the spark plug cable before you assemble the product, put the product into storage or do maintenance.
- Do not use the product if it is changed from its initial specification. Do not change a part of the product without approval from the manufacturer. Only use parts approved by the manufacturer. Injury or death is a possible result of incorrect maintenance.
- Do not breathe in the fumes from the engine. Long-term inhalation of the engine's exhaust fumes is a health risk.
- Do not start the product indoors or near flammable material. The exhaust fumes are hot and can contain a spark which can start a fire. Not sufficient airflow can cause injury or death because of asphyxiation or carbon monoxide.
- When you use this product the engine makes an electromagnetic field. The electromagnetic field can cause damage to medical implants. Speak to your physician and medical implant manufacturer before you operate the product.
- Do not let a child operate the product. Do not let a person without knowledge of the instructions operate the product.
- Make sure that you always monitor a person, with decreased physical capacity or mental capacity, that

uses the product. A responsible adult must be there at all times.

- Lock the product in an area that children and unapproved persons cannot access.
- The product can eject objects and cause injuries. Obey the safety instructions to decrease the risk of injury or death.
- Do not go away from the product when the engine is on.
- The operator of the product is responsible if an accident occurs.
- Make sure that parts are not damaged before you use the product.
- Make sure that you are at minimum 15 m (50 ft) away from other persons or animals before you use the product. Make sure that persons in the adjacent area know that you will use the product.
- Refer to national or local laws. They can prevent or decrease the operation of the product in some conditions.
- Do not use the product if you are fatigued or influenced by alcohol, drugs or medicine. They can have effects on your vision, alertness, coordination or judgment.

## Safety instructions for assembly



**WARNING:** Read the warning instructions that follow before you use the product.

- Remove the spark plug cap from the spark plug before you assemble the product.
- Use approved protective gloves.
- Make sure that you assemble the cover and shaft correctly before you start the engine.

## Safety instructions for operation

- Make sure the product is fully assembled before you use it.
- Before a start, move the product 3 m (10 ft) away from the position where you filled the fuel tank. Put the product on a flat surface. Make sure that the cutting attachment does not touch the ground or other objects.
- The product can cause objects to eject, which can cause damage to the eyes. Always use an approved eye protection when you operate the product.
- Be careful, a child can come near the product without your knowledge during operation.
- Do not operate the product if there are persons in the work area. Stop the product if a person goes into the work area.
- Make sure that you are always in control of the product.
- Do not use the product if you cannot receive aid if an accident occurs. Always make sure others know you

will operate the product before you start to operate the product.

- Do not turn with the product before you make sure that no persons or animals are in the safety area.
- Remove all unwanted materials from the work area before you start. If the cutting attachment hits an object, the object can eject and cause injury or damage. Unwanted material can wind around the cutting attachment and cause damage.
- Do not use the product in bad weather (fog, rain, strong winds, risk of lightning or other weather conditions.). Dangerous conditions (such as slippery surfaces) can occur because of bad weather.
- Make sure that you can move freely and work in a stable position.



- Make sure that you cannot fall when you use the product. Do not tilt when you operate the product.
- Always hold the product with your two hands. Hold the product on the right side of your body.



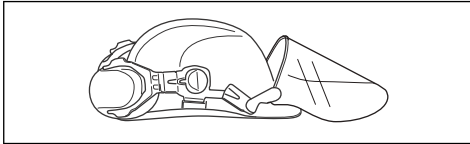
- Operate the product with the cutting attachment below your waist.
- If the choke control is in the choke position when the engine starts, the cutting attachment starts to turn.
- Do not touch the bevel gear after the engine stops. The bevel gear is hot after the engine stops. Hot areas can cause injury.
- Stop the engine before you move the product.
- Do not put down the product with the engine on.
- Before you remove the unwanted materials from the product, stop the engine and wait until the cutting attachment stops. Let the cutting attachment stop before you or an aid remove the cut material.

## Personal protective equipment

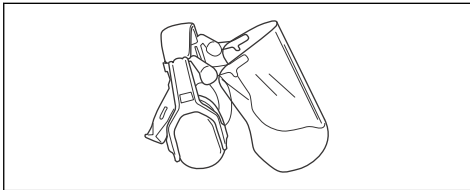


**WARNING:** Read the warning instructions that follow before you use the product.

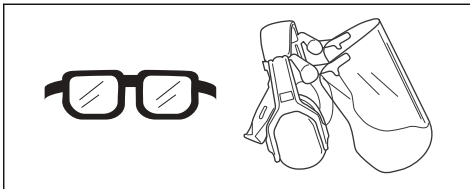
- Always use approved personal protective equipment when you use the product. Personal protective equipment cannot fully prevent injury but it decreases the degree of injury if an accident does occur. Let your dealer help you select the right equipment.
- Use a protective helmet where there is a risk of falling objects.



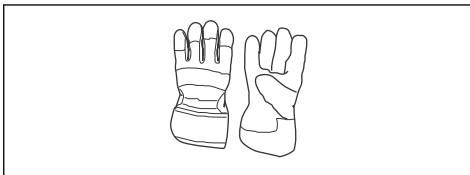
- Use approved hearing protection that provides adequate noise reduction. Long-term exposure to noise can result in permanent hearing impairment.



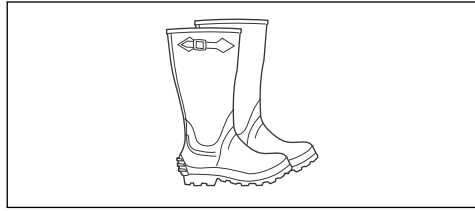
- Use approved eye protection. If you use a visor, you must also use approved protective goggles. Approved protective goggles must comply with the ANSI Z87.1 standard in the USA or EN 166 in EU countries.



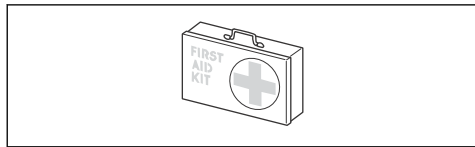
- Use gloves when necessary, for example when you attach, examine or clean the cutting equipment.



- Use sturdy non-slip boots.



- Use clothing made of a strong fabric. Always use heavy, long pants and long sleeves. Do not use loose clothing that can catch on twigs and branches. Do not wear jewelry, short pants, sandals or go with bare feet. Put your hair up safely above shoulder level.
- Keep first aid equipment close at hand.



## Safety devices on the product

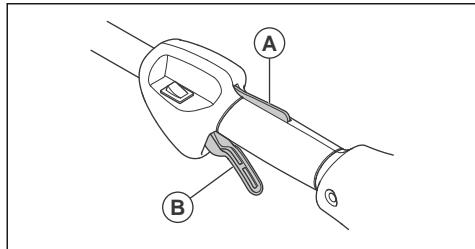


**WARNING:** Read the warning instructions that follow before you use the product.

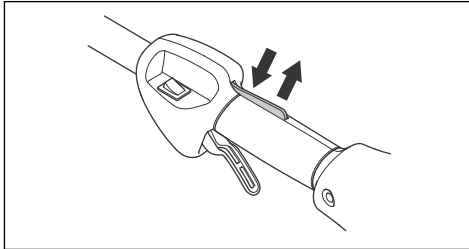
- Do not use a product with defective safety devices.
- Do a check of the safety devices regularly. Refer to *Maintenance schedule on page 14*.
- If the safety devices are defective, speak to your Husqvarna servicing dealer.

### To do a check of the throttle trigger lockout

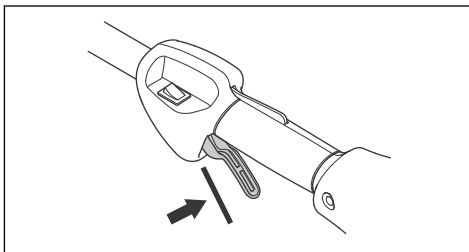
1. Make sure that the throttle trigger lockout (A) and throttle trigger (B) move freely and that the return spring works correctly.



2. Push down the throttle trigger lockout and make sure that it goes back to its initial position when you release it.



3. Make sure that the throttle trigger is locked at the idle position when the throttle trigger lockout is released.



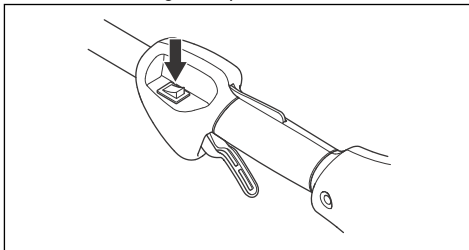
4. Start the product and apply full throttle.
5. Release the throttle trigger and make sure that the blades stop and stay stationary.



**WARNING:** If the blades move when the throttle trigger is in the idle position, then the carburetor idle speed must be adjusted. Refer to *To adjust the idle speed on page 14*.

#### To do a check of the stop switch

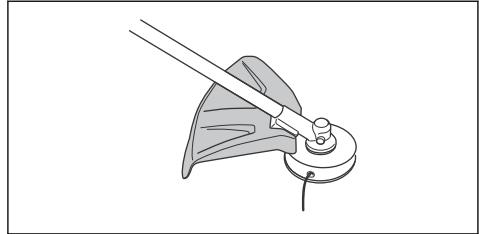
1. Start the engine.
2. Move the stop switch to the stop position and make sure that the engine stops.



#### To do a check of the cutting attachment guard

The cutting attachment guard stops objects that ejects in the direction of the operator. It also prevents injuries that occur if you touch the cutting attachment.

1. Stop the engine.
2. Do a visual check for damages, for example cracks.



3. Replace the cutting attachment guard if it is damaged.

#### Muffler

- Do not use an engine with a damaged muffler. A damaged muffler increases the noise level and the risk of fire. Keep a fire extinguisher near.
- Examine regularly that the muffler is attached to the product.
- Do not touch the engine or the muffler when the engine is on. Do not touch the engine or the muffler for a while after the engine stops. Hot surfaces can cause injuries.
- A hot muffler can cause a fire. Be careful, if you use the product near flammable liquids or fumes.
- Do not touch the parts in the muffler, if the muffler is damaged. The parts can contain some carcinogenic chemicals.

#### Cutting attachment



**WARNING:** Read the warning instructions that follow before you use the product.

- Do the regular maintenance. Let an approved service center regularly examine the cutting attachment to do adjustments or repairs.
  - The performance of the cutting attachment increases.
  - The life of the cutting attachment increases.
  - The risk of accidents decreases.
- Only use an approved cutting attachment guard. Refer to *Accessories on page 19*.
- Do not use a damaged cutting attachment.

#### Fuel safety



**WARNING:** Read the warning instructions that follow before you use the product.

- Do not mix the fuel indoor or near a heat source.
- Do not start the product if there is fuel or engine oil on the product. Remove the unwanted fuel/oil and let

the product dry. Remove unwanted fuel from the product.

- If you spill fuel on your clothing, change clothing immediately.
- Do not get fuel on your body, it can cause injury. If you get fuel on your body, use a soap and water to remove the fuel.
- Do not start the engine if you spill oil or fuel on the product or on your body.
- Do not start the product if the engine has a leak. Examine the engine for leaks regularly.
- Be careful with fuel. Fuel is flammable and the fumes are explosive and can cause injuries or death.
- Do not breathe in the fuel fumes, it can cause injury. Make sure that there is sufficient airflow.
- Do not smoke near the fuel or the engine.
- Do not put warm objects near the fuel or the engine.
- Do not add the fuel when the engine is on.
- Make sure that the engine is cool before you refuel.
- Before you refuel, open the fuel tank cap slowly and release the pressure carefully.
- Make sure there are sufficient airflow when refueling and mixing fuel (petrol and two-stroke oil) or draining the fuel tank.
- Fuel and fuel vapor are highly flammable and can cause serious injury when inhaled or allowed to come into contact with the skin. For this reason, observe caution when handling fuel and make sure there is sufficient airflow.
- Tighten the fuel tank cap carefully or a fire can occur.
- Move the product at a minimum of 3 m (10 ft) from the position where you filled the tank before a start.
- Do not put too much fuel in the fuel tank.
- Make sure that a leak cannot occur when you move the product or fuel container.
- Do not put the product or a fuel container where there is an open flame, spark or pilot light. Make sure that the storage area does not contain an open flame.
- Only use approved containers when you move the fuel or put the fuel into storage.
- Empty the fuel tank before long-term storage. Obey the local law on where to dispose fuel.

- Clean the product before long-term storage.
- Remove the spark plug cap before you put the product into storage to make sure that the engine does not start accidentally.

## Safety instructions for maintenance

---



**WARNING:** Read the warning instructions that follow before you use the product.

---

- Stop the engine, make sure that the cutting attachment stops and let the product cool down before you do the maintenance.
- Disconnect the spark plug cap before you do the maintenance.
- The exhaust fumes from the engine contain carbon monoxide, an odourless, poisonous and very dangerous gas that can cause death. Do not run the product indoors or in closed spaces.
- The exhaust fumes from the engine are hot and can contain sparks. Do not run the product indoors or near flammable material.
- Accessories and changes to the product that are not approved by the manufacturer, can cause serious injury or death. Do not change the product. Always use original accessories.
- If the maintenance is not done correctly and regularly, there is an increased risk of injury and damage to the product.
- Only do the maintenance as this operator's manual recommends. Let an approved Husqvarna service agent do all other servicing.
- Let an approved Husqvarna service agent do servicing on the product regularly.
- Replace damaged, worn or broken parts.
- Refer to the instructions for the cutting attachment for correct procedure to install the trimmer cord and correct cord diameter.
- Keep the teeth of the blade correctly sharpened. Obey our recommendations. Also refer to the instructions on the blade package.

---

## Assembly

---

### Introduction



**WARNING:** Before you assemble the product, you must read and understand the safety chapter.

---



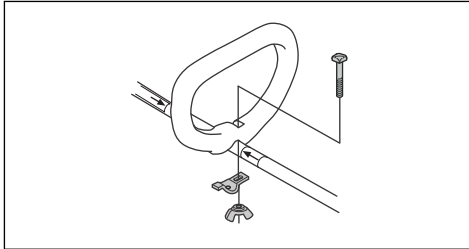
**WARNING:** Remove the spark plug cable from the spark plug before you assemble the product.

---



## To attach the loop handle

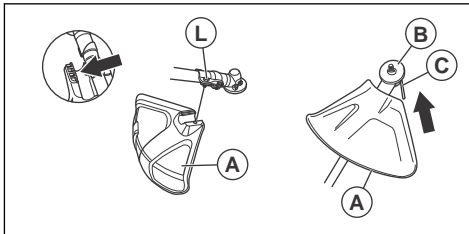
1. Attach the loop handle to the shaft in compliance with the illustration and tighten.



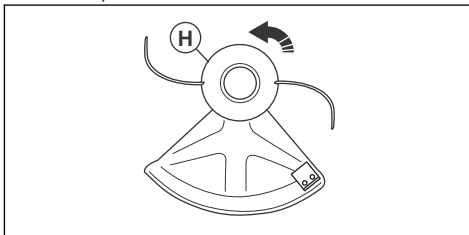
2. Make sure that the loop handle attaches between the arrows on the shaft.

## To attach the cutting attachment guard and the trimmer head (straight shaft)

1. Attach the cutting attachment guard (A) to the shaft with the bolt (L).
2. Attach the drive disc (B) to the output shaft.
3. Turn the output shaft until the hole in the drive disc aligns with the hole in the gear housing.
4. Put a small screwdriver (C) in the hole to lock the shaft.

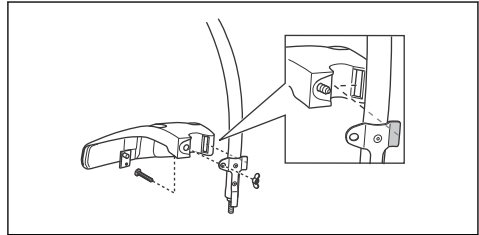


5. Turn the trimmer head (H) counterclockwise to tighten the trimmer head to the gearbox. (Left hand threads.)

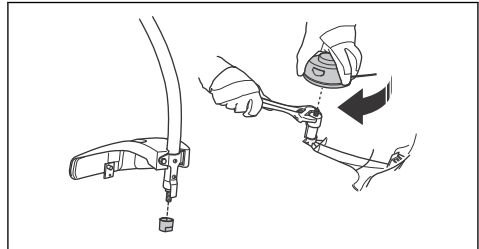


## To attach the cutting attachment guard and trimmer head (curved shaft)

1. Attach the guard. Tighten the nut.



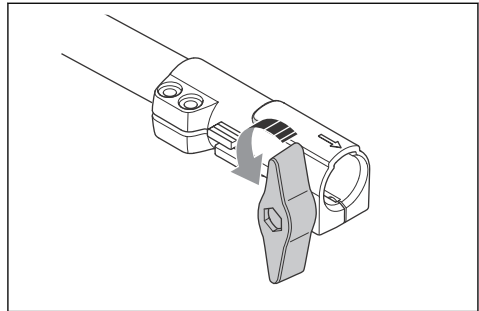
2. Attach the dust cup on the shaft.



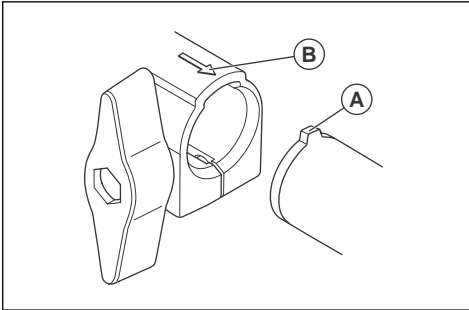
3. Hold the dust cup with an adjustable wrench to make sure the shaft does not turn.
4. Attach the trimmer head to the shaft. Turn the trimmer head clockwise.

## To assemble the two-piece shaft

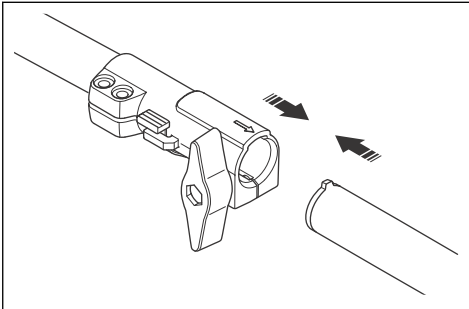
1. Turn the knob to loosen the coupling.



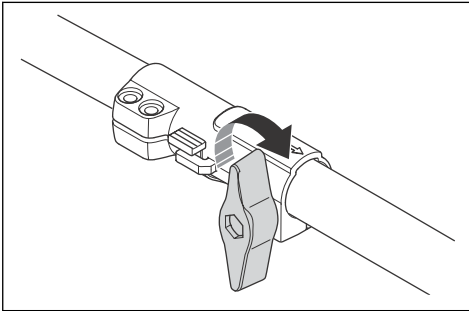
2. Align the tab (A) with the arrow (B) on the coupling.



3. Push the shaft into the coupling until it clicks into position.

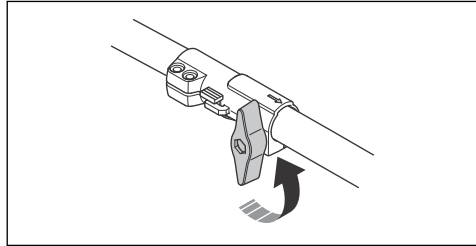


4. Tighten the knob fully.

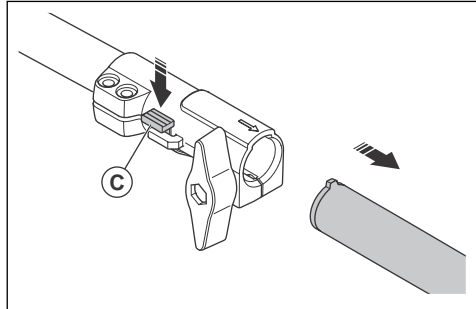


## To disassemble the two-piece shaft

1. Turn the knob 3 turns or more to loosen the coupling.



2. Push and hold the button (C).
3. Hold tight in the end of the shaft that the engine is attached to.
4. Pull the attachment straight out of the coupling.



## Operation

### Introduction



**WARNING:** Before you operate the product, you must read and understand the safety chapter.

### Fuel

This product has a two-stroke engine.



**CAUTION:** Incorrect type of fuel can result in engine damage. Use a mixture of gasoline and two-stroke oil.

### Premixed fuel

- Use Husqvarna premixed alkylate fuel for best performance and extension of the engine life. This fuel contains less harmful chemicals compared to regular fuel, which decreases harmful exhaust fumes. The quantity of remains after combustion is

lower with this fuel, which keeps the components of the engine more clean.

## To mix fuel

### Gasoline

- Use good quality unleaded gasoline with a maximum of 10% ethanol contents.



**CAUTION:** Do not use gasoline with an octane grade less than 90 RON/87 AKI. Use of a lower octane grade can cause engine knocking, which causes engine damages.

### Two-stroke oil

- For best results and performance use Husqvarna two-stroke oil.
- If Husqvarna two-stroke oil is not available, use a two-stroke oil of good quality for air-cooled engines. Speak to your servicing dealer to select the correct oil.



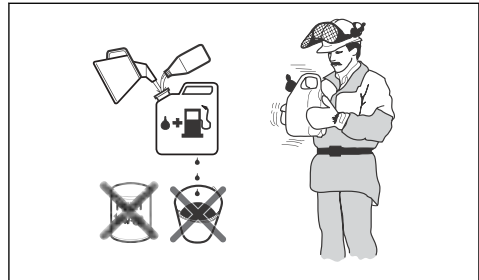
**CAUTION:** Do not use two-stroke oil for water-cooled outboard engines, also referred to as outboard oil. Do not use oil for four-stroke engines.

### To mix gasoline and two-stroke oil

Gasoline, liter	Two-stroke oil, liter
	<b>2% (50:1)</b>
5	0.10
10	0.20
15	0.30
20	0.40
US gallon	US fl. oz.
1	2 ½
2 1/2	6 ½
5	12 ¾



**CAUTION:** Small errors can influence the ratio of the mixture drastically when you mix small quantities of fuel. Measure the quantity of oil carefully and make sure that you get the correct mixture.



- Fill half the quantity of gasoline in a clean container for fuel.
- Add the full quantity of oil.
- Shake the fuel mixture.
- Add the remaining quantity of gasoline to the container.
- Carefully shake the fuel mixture.



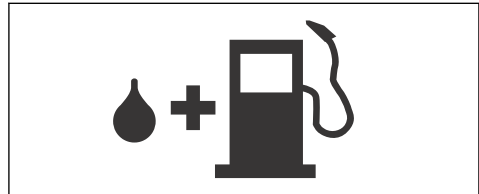
**CAUTION:** Do not mix fuel for more than 1 month at a time.

### To fill the fuel tank



**WARNING:** Obey the procedure that follows for your safety.

- Stop the engine and let the engine become cool.
- Clean the area around the fuel tank cap.



- Shake the container and make sure that the fuel is fully mixed.
- Remove the fuel tank cap slowly to release the pressure.
- Fill the fuel tank.



**CAUTION:** Make sure that there is not too much fuel in the fuel tank. The fuel expands when it becomes hot.

- Tighten the fuel tank cap carefully.
- Clean fuel spillage on and around the product.
- Move the product 3 m/10 ft or more away from the refueling area and fuel source before you start the engine.

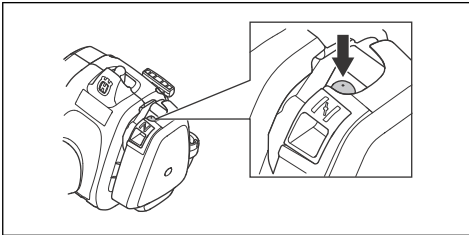
**Note:** To see where the fuel tank is on your product, refer to *Product overview on page 2*.

## To examine before start

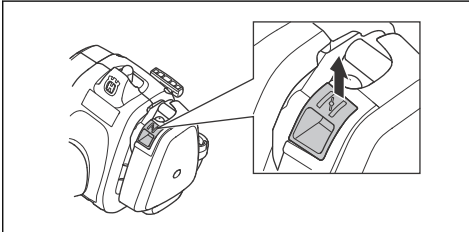
1. Make sure that the product has no missing, damaged, loose or worn parts.
2. Make sure that nuts, screws and bolts are tightened.
3. Make sure that the trimmer head is not damaged.
4. Make sure that the air filter is not clogged.
5. Make sure that the safety devices on the product are not defective.
6. Make sure that the product has no fuel leaks.

## To start a cold engine

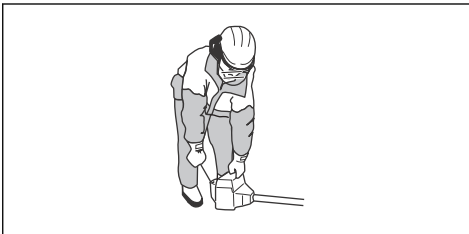
1. Push the air purge bulb 10 times.



2. Set the choke control in the choke position.



3. Hold the body of the product on the ground with your left hand.



**CAUTION:** Do not step on the product.

4. Pull the starter rope handle slowly with your right hand until you feel resistance. Then pull the starter rope handle quickly and with force until the engine starts or tries to start.



**WARNING:** Do not twist the starter rope around your hand.

5. Set the choke control in the operation position.
6. If the engine starts, push the throttle trigger lightly and let the engine run 60 seconds to become warm. If the engine does not start, pull the starter rope handle until the engine starts. Then push the throttle trigger lightly and let the engine run 60 seconds to become warm.



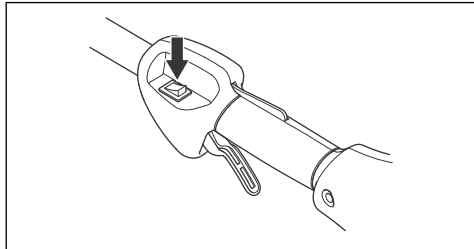
**CAUTION:** Do not pull the starter rope to full extension and do not let go of the starter rope handle. This can cause damage to the product. Release the starter rope slowly.

## To start a warm engine

1. Push the air purge bulb 10 times.
2. Pull the starter rope until the engine starts.

## To stop the product

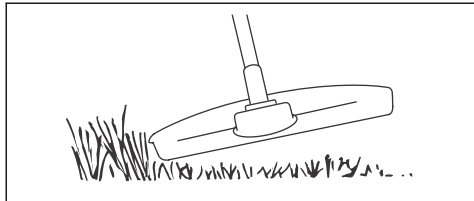
- Push the stop switch to stop the engine.



**Note:** The stop switch automatically goes back to its initial position.

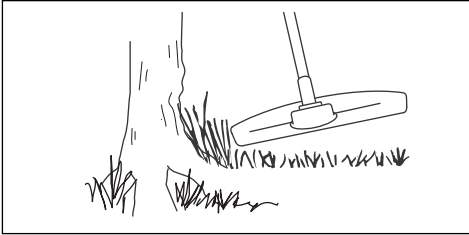
## To trim the grass

1. Hold the trimmer head immediately above the ground at an angle. Do not push the trimmer line into the grass.



2. Decrease the length of the trimmer line by 10-12 cm / 4-4.75 in.

3. Decrease the engine speed to decrease the risk of damage to plants.
4. Use 80 % throttle when you cut grass near objects.

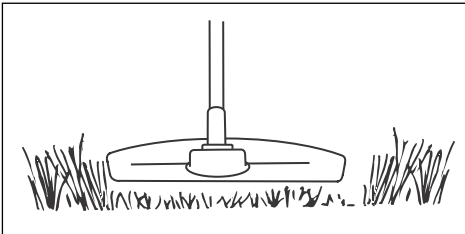


### To clear grass with a grass blade

1. Grass blades and grass cutters must not be used on woody stems.
2. A grass blade is used for all types of tall or coarse grass.
3. The grass is cut down with a sideways, swinging movement, where the movement from right-to-left is the clearing stroke and the movement from left-to-right is the return stroke. Let the left-hand side of the blade (between 8 and 12 o'clock) do the cutting.
4. If the blade is angled to the left when clearing grass, the grass will collect in a line, which makes it easier to collect, e.g. by raking.
5. Try to work rhythmically. Stand firmly with your feet apart. Move forward after the return stroke and stand firmly again.
6. Let the support cup rest lightly against the ground. It is used to protect the blade from hitting the ground.
7. Reduce the risk of material wrapping around the blade by always work at full throttle and avoid the previously cut material during the return stroke.
8. Stop the engine, unclip the harness and place the machine on the ground before you start to collect the cut material.

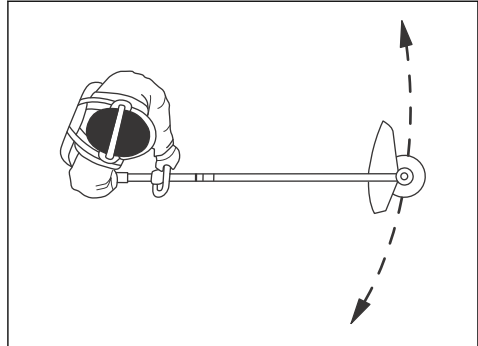
### To cut the grass

1. Make sure that the trimmer line is parallel to the ground when you cut the grass.



2. Do not push the trimmer head to the ground. This can cause damage to the product.

3. Move the product from side to side when you cut grass. Use full speed.



### To sweep the grass

The airflow from the rotating trimmer line can be used to remove cut grass from an area.

1. Hold the trimmer head and the trimmer line parallel to the ground and above the ground.
2. Apply full throttle.
3. Move the trimmer head from side to side and sweep the grass.



**WARNING:** Clean the trimmer head cover each time you assemble new trimmer line to prevent unbalance and vibrations in the handles. Also do a check of the other parts of the trimmer head and clean it if necessary.

### Grass trimmer head

- Make sure that you wind the grass trimmer line tightly and equally around the drum to decrease the vibration.
- Use only the approved grass trimmer heads and grass trimmer lines. Refer to *Accessories on page 19*.
- Use a correct length of the grass trimmer line. A long grass trimmer line uses more engine power than a short grass trimmer line.
- Make sure that the cutter on the cutting attachment guard is not damaged.
- Soak the grass trimmer line in water for 2 days before you attach the grass trimmer line to the product. This increases the life of the grass trimmer line.
- Refer to the instructions for the cutting attachment to use the correct procedure to load the cord and the correct cord diameter.

# Maintenance

## Introduction



**WARNING:** Before you do maintenance, you must read and understand the safety chapter.

For all servicing and repair work on the product, special training is necessary. We guarantee the availability of professional repairs and servicing. If your dealer is not a service agent, speak to them for information about the nearest service agent.

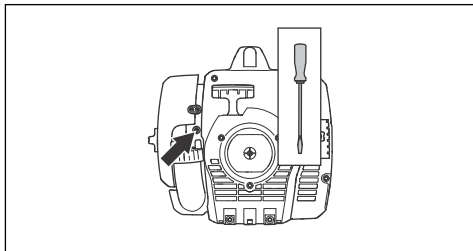
## Maintenance schedule

Maintenance	Daily	Weekly	Monthly
Clean the external surface.	X		
Clean the air filter. Replace if it is necessary.	X		
Examine the function of the throttle trigger lock and the throttle.	X		
Examine the stop switch.	X		
Examine the guards.	X		
Examine the trimmer head.	X		
Examine the locknut.	X		
Examine for fuel leaks.	X		
Make sure that the grass blade is aligned with the center, that it is sharp and does not have damages on the blade or the center hole.	X		
Make sure that the cutting attachment does not rotate at idle speed.	X		
Apply grease to the two-piece shaft.		X	
Examine the starter rope handle and the starter rope.		X	
Examine the bevel gear grease.		X	
Clean the external surface of the spark plug. Remove the spark plug and measure the electrode gap. Adjust the electrode gap or replace the spark plug.		X	
Clean the cooling system.		X	
Clean or replace the spark arrestor screen on the muffler.		X	
Clean the external surface of the carburetor and the area around it.		X	
Examine the fuel filter for contamination.			X
Examine the fuel hose for damage.			X
Examine all cables and connections.			X
Examine the clutch, the clutch springs and the clutch drum for wear.			X
Replace the spark plug.			X

## To adjust the idle speed

Make sure that the air filter is clean and the air filter cover is attached before you adjust the idle speed.

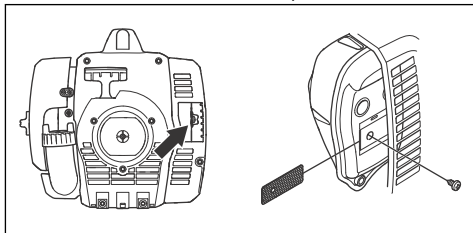
1. Turn the idle speed screw T, which is identified with a "T" mark, clockwise until the cutting attachment starts to rotate.



2. Turn the idle speed screw T, which is identified with a "T" mark, counterclockwise until the cutting attachment stops.
3. The idle speed must be below the speed when the cutting attachment starts to rotate. The idle speed is correct when the engine operates smoothly in all positions.

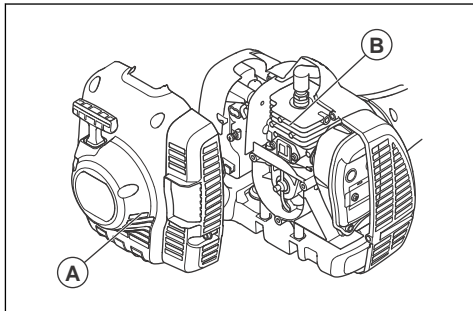
### To do maintenance on the spark arrester screen

- Use a wire brush to clean the spark arrester screen.



### To clean the cooling system

- Clean the air intake (A) on the starter and the cooling fins (B) on the cylinder with a brush.



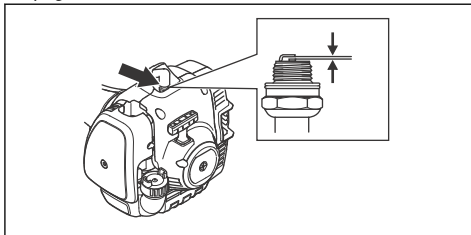
### To examine the spark plug



**CAUTION:** Use the recommended spark plug. Make sure that the replacement is the same as the manufacturer supplied part. An

incorrect spark plug can cause damage to the product. Make sure that the spark plug is installed with a suppressor. Speak to your servicing dealer for more information.

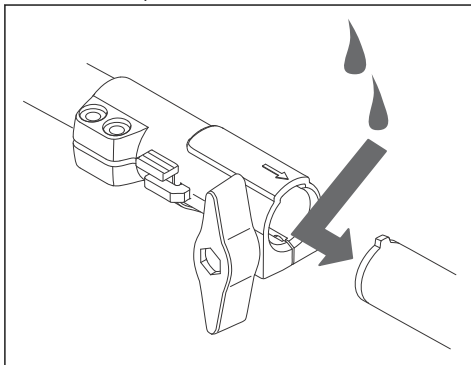
1. Examine the spark plug when:
  - a) the engine is low on power.
  - b) the engine is not easy to start.
  - c) the engine does not operate correctly at idle speed.
2. If, the engine is not easy to start or operate, examine the spark plug for unwanted materials. To decrease the risk of unwanted material on the spark plug electrodes:
  - a) make sure that the idle speed is correctly adjusted.
  - b) make sure that the fuel mixture is correct.
  - c) make sure that the air filter is clean.
3. Clean the spark plug if it is dirty. Make sure that the electrode gap is correct. Refer to *Technical data on page 18*.



4. Replace the spark plug when it is necessary.

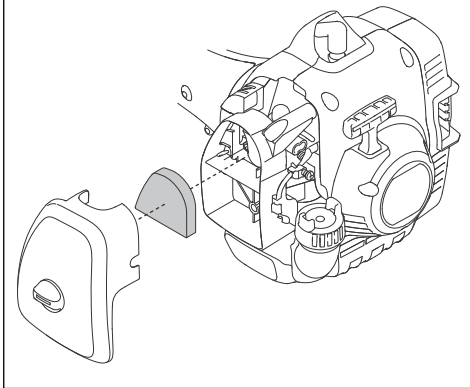
### To apply grease to the two-piece shaft

- Apply grease to the end of the drive shaft after each 30 hours of operation.



### To clean the air filter

1. Remove the air filter cover and remove the air filter.



2. Clean the air filter with warm soap water. Make sure that the air filter is dry before you install it.
3. Replace the air filter if it is too dirty to fully clean it. Always replace a damaged air filter.
4. If your product has a foam air filter, apply air filter oil. Only apply air filter oil to a foam filter. Do not apply oil to a felt filter.

### To apply air filter oil to the air filter

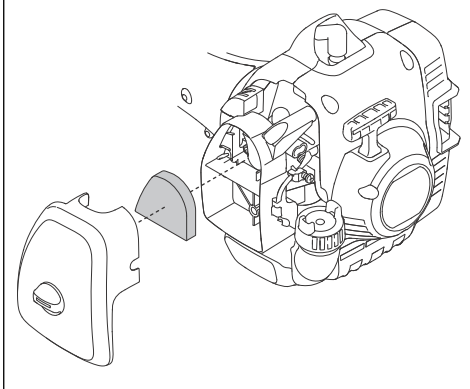


**CAUTION:** Always use special air filter oil on foam air filters. Do not use other types of oil.

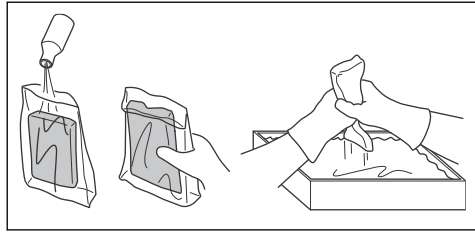


**WARNING:** Do not get oil on your body.

1. Remove the air filter cover and remove the air filter.



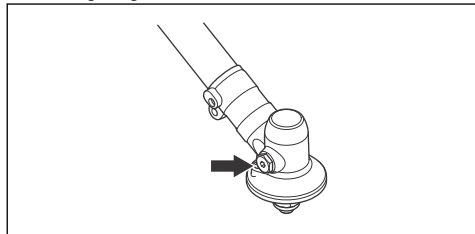
2. Put the air filter in a plastic bag.
3. Put the air filter oil in the plastic bag.



4. Push the plastic bag to make sure the oil supplies equally across the air filter.
5. Push on the air filter, while in the bag, to remove the air filter oil that is not necessary. Remove the air filter from the bag.
6. Install the air filter.

### To add grease to the bevel gear

- Make sure that the bevel gear is filled  $\frac{3}{4}$  full with bevel gear grease.





---

## Troubleshooting

---

### The engine does not start

Check	Possible cause	Procedure
Starter pawls.	The starter pawls cannot move freely.	Remove the starter cover and clean around the starter pawls.
		Let an approved servicing dealer help you.
Fuel tank.	Incorrect fuel type.	Drain the fuel tank and fill with correct fuel.
Spark plug.	The spark plug is dirty or wet.	Make sure that the spark plug is dry and clean.
	The spark plug electrode gap is incorrect.	Clean the spark plug. Make sure that the electrode gap is correct. Make sure that the spark plug has a suppressor.
		Refer to <i>Technical data on page 18</i> for correct electrode gap.
	The spark plug is loose.	Tighten the spark plug.

### The engine starts but stops again

Check	Possible cause	Procedure
Fuel tank	Incorrect fuel type.	Empty the fuel tank and fill it with correct fuel.
Air filter	The air filter is clogged.	Clean the air filter.

---

## Transportation and storage

---

- Always allow the product to cool down before storage.
  - For storage and transportation of the product and fuel, make sure that there are no leaks or fumes. Sparks or open flames, for example from electrical devices or boilers, can start a fire.
  - Always use approved containers for storage and transportation of fuel.
  - Empty the fuel before transportation or before long-term storage. Discard the fuel at an applicable disposal location.
- Attach the transport guard during transportation and storage.
  - Remove the spark plug cap from the spark plug.
  - Attach the product during transportation. Make sure that it cannot move.
  - Clean and do servicing on the product before long-term storage.

## Technical data

### Technical data

	122C	122LK
<b>Engine</b>		
Cylinder displacement, cu.in/cm <sup>3</sup>	1.32/21.7	1.32/21.7
Idle speed, rpm	2900	2900
Recommended max. speed, rpm	7200	9100
Speed of output shaft, rpm	7200	6232
Power / Max. engine output, acc. to ISO 8893, kW/hp @ rpm	0.6/0.8 @ 7800	0.6/0.8 @ 7800
Catalytic converter muffler	Yes	Yes
Speed-regulated ignition system	No	No
Emissions Durability Period according to California Air Resources Board, h.	50	50
<b>Ignition system</b>		
Spark plug	HQT-4 672201	HQT-4 672201
Electrode gap, inch/mm	0.02/0.5	0.02/0.5
<b>Fuel system</b>		
Fuel tank capacity, US Pint/l	0.63/0.3	0.63/0.3
<b>Weight</b>		
Weight without fuel, cutting attachment and guard, lbs/kg	9.7/4.4	10.6/4.8
<b>Noise emissions<sup>1</sup></b>		
Sound power level, measured, dB(A)	102	104
Sound power level, guaranteed (L <sub>WA</sub> ) , dB(A)	104	108
<b>Noise levels<sup>2</sup></b>		
Equivalent sound pressure level at the operator's ear, measured according to EN ISO 11806 and ISO 22868, dB(A):	88	90
<b>Vibration levels<sup>3</sup></b>		
Equivalent vibration level (a <sub>hv, eq</sub> ) equipped with trimmer head, left handle, m/s <sup>2</sup>	5.0	3.6

<sup>1</sup> Noise emissions in the environment measured as sound power (L<sub>WA</sub>) in conformity with EC directive 2000/14/EC. Reported sound power level for the product has been measured with the original cutting attachment that gives the highest level. The difference between guaranteed and measured sound power is that the guaranteed sound power also includes dispersion in the measurement result and the variations between different products of the same model according to Directive 2000/14/EC.

<sup>2</sup> Reported data for equivalent sound pressure level for the product has a typical statistical dispersion (standard deviation) of 1 dB (A).

<sup>3</sup> Reported data for equivalent vibration level has a typical statistical dispersion (standard deviation) of 1 m/s<sup>2</sup>.

	<b>122C</b>	<b>122LK</b>
Equivalent vibration level ( $a_{hv, eq}$ ) equipped with trimmer head, right handle, $m/s^2$	3.6	3.5

## Accessories

### Accessories

<b>122C</b>		
<b>Approved accessories</b>	<b>Type</b>	<b>Cutting attachment guard</b>
Threaded shaft	3/8 R	–
Trimmer head	T25 (Ø 2.0 - 2.7 mm cord)	574 47 95-01
	T25C (Ø 2.0 - 2.7 mm cord)	574 47 95-01
<b>122LK</b>		
<b>Approved accessories</b>	<b>Type</b>	<b>Cutting attachment guard</b>
Threaded shaft	M10	–
Trimmer head	T25 (Ø 2.0 - 2.7 mm cord)	574 19 87-01

The following attachments are recommended for the specified models.

<b>Approved accessories</b>	<b>Art No.</b>	<b>Use with</b>
Clean sweep attachment with shaft SR600	537 19 67-01	122LK
Hedge trimmer attachment with shaft HA 850	537 19 66-06	122LK
Edger attachment with shaft	537 19 69-01	122LK
Saw attachment with shaft PA 1100	537 18 33-16	122LK
Saw attachment without shaft PA	537 18 33-11	122LK
Cultivator attachment with shaft CA 150	537 42 54-01	122LK
Trimmer attachment with shaft TA 850	537 35 35-01	122LK
Cultivator attachment with shaft CAC	952 71 19-07	122LK
Edger attachment EAC	952 71 19-08	122LK
Pole saw attachment PAC	952 71 19-10	122LK
Blower attachment BAC	952 71 19-11	122LK

---

# Warranty

---

## CALIFORNIA, U.S FEDERAL, AND CANADA EXHAUST AND EVAPORATIVE EMISSIONS CONTROL WARRANTY STATEMENT

### YOUR WARRANTY RIGHTS AND OBLIGATIONS

The California Air Resources Board (CARB), U.S. Environmental Protection Agency (EPA), Environment and Climate Change Canada and Husqvarna Professional Products, Inc. are pleased to explain the exhaust and evaporative emissions ("emissions") control system warranty on your 2020-2021\* small off-road engine. In California, new equipment that use small off-road engines must be designed, built, and equipped to meet State's stringent anti-smog standards. Husqvarna Professional Products, Inc. must warrant the emissions control system on your small off-road engine for the periods of time listed below provided there has been no abuse, neglect or improper maintenance of your small off-road engine or equipment leading to the failure of the emissions control system. Your emissions control system may include parts such as the carburetor or fuel injection system, the ignition system, catalytic converter, fuel tanks, fuel lines (for liquid fuel and fuel vapors), fuel caps, valves, canisters, filters, clamps and other associated components. Also included may be hoses, belts, connectors, and other emission-related assemblies. Where a warrantable condition exists, Husqvarna Professional Products, Inc. will repair your small off-road engine at no cost to you including diagnosis, parts and labor.

### MANUFACTURER'S WARRANTY COVERAGE

The exhaust and evaporative emissions control system on your small off-road engine is warranted for two years. If any emissions-related part on your small off-road engine is defective, the part will be repaired or replaced by Husqvarna Professional Products, Inc..

### OWNER'S WARRANTY RESPONSIBILITIES

- As the small off-road engine owner, you are responsible for performance of the required maintenance listed in your owner's manual. Husqvarna Professional Products, Inc. recommends that you retain all receipts covering maintenance on your small off-road engine, but Husqvarna Professional Products, Inc. cannot deny warranty coverage solely for the lack of receipts or for your failure to ensure the performance of all scheduled maintenance.
- As the small off-road engine owner, you should however be aware that Husqvarna Professional Products, Inc. may deny you warranty coverage if your small off-road engine or a part has failed due to abuse, neglect, or improper maintenance or unapproved modifications.

- You are responsible for presenting your small off-road engine to a Husqvarna Professional Products, Inc. authorized servicing dealer as soon as the problem exists. The warranty repairs shall be completed in a reasonable amount of time, not to exceed 30 days. If you have any questions regarding your warranty rights and responsibilities, you should contact Husqvarna Professional Products, Inc. in USA at 1-800-487-5951, in CANADA at 1-800-805-5523 or send e-mail correspondence to [emissions@husqvarnagroup.com](mailto:emissions@husqvarnagroup.com) or [warranty@hpp-emissions.com](mailto:warranty@hpp-emissions.com).

### WARRANTY COMMENCEMENT DATE

The warranty period begins on the date the engine or equipment is delivered to an ultimate purchaser.

### LENGTH OF COVERAGE

Husqvarna Professional Products, Inc. warrants to the ultimate purchaser and each subsequent owner that the engine or equipment is designed, built, and equipped so as to conform with all applicable regulations adopted by CARB and EPA, and is free from defects in materials and workmanship that causes the failure of a warranted part for a period of two years.

### WHAT IS COVERED

**REPAIR OR REPLACEMENT OF PARTS:** Repair or replacement of any defective warranted part will be performed at no charge to you at a brand authorized servicing dealer. Except for repairs and replacement under this Emission Control Warranty, you may choose a repair shop or other person to maintain, replace or repair emission control devices and systems. However, Husqvarna Professional Products, Inc. recommends that all maintenance, replacement and repairs of emission control devices and systems be performed by a brand authorized servicing dealer.

**IMPORTANT:** This product is compliant with U.S. EPA Phase 3 regulations for exhaust and evaporative emissions. To ensure EPA Phase 3, California Air Resources Board and Environment and Climate Change Canada regulation, we recommend using only genuine product branded replacement parts. Use of non-compliant replacement parts is a violation of federal and state laws.

**WARRANTY PERIOD:** Any warranted part which is not scheduled for replacement as required maintenance, or which is scheduled only for regular inspection to the effect of "repair or replace as necessary" is warranted for 2 years (or time defined in the product warranty statement, whichever is longer) from the date of purchase by the initial consumer purchaser. Any warranted part which is scheduled for replacement as required maintenance is warranted for the period of the time up to the first scheduled replacement for that part.

Any part repaired or replaced under the warranty must be warranted for the remaining warranty period.

**DIAGNOSIS:** You will not be charged for diagnostic labor that leads to the determination that a warranted part is in fact defective, provided that such diagnostic work is performed at a brand authorized servicing dealer.

**OTHER DAMAGES:** Husqvarna Professional Products, Inc. will repair other engine components caused by the failure of a warranted part still under warranty.

#### **EMISSION WARRANTY PARTS LIST**

1. Carburetor and intake parts or fuel injection system.
2. Air filter and fuel filter covered up to maintenance schedule.
3. Spark Plug, covered up to maintenance schedule.
4. Ignition Module.
5. Mufflers with catalyst and exhaust manifolds.
6. Fuel tank, fuel lines (for liquid fuel and fuel vapors), fuel cap, carbon canister and tip-over/anti-slosh valves as applicable.\*\*
7. Electronic Controls, Vacuum, temperature, and time sensitive valves and switches.
8. Hoses, connectors, and assemblies.
9. All other components the failure of which would increase the engine's exhaust and evaporative emissions of any regulated pollutant as set forth at the following:
  - For California see California Code of Regulations, 13 CCR §2405(d) and 2760(d).
  - For U.S. and Canada see US Federal Code of Regulations, 40 C.F.R 1068 Appendix I (iii).

#### **WHAT IS NOT COVERED**

All failures caused by abuse, neglect, unapproved modifications, misuse or improper maintenance are not covered.

**ADD -ON OR MODIFIED PARTS:** Add-on or modified parts that are not exempted by CARB or EPA may not be used. The use of any non-exempted add-on or modified parts will be grounds for disallowing a warranty claim. Husqvarna Professional Products, Inc. will not be liable to warrant failures of warranted parts caused by the use of a non-exempted add-on or modified part.

#### **HOW TO FILE A CLAIM**

If you have any questions regarding your warranty rights and responsibilities, you should contact your nearest authorized servicing dealer or call Husqvarna Professional Products, Inc. in USA at 1-800-487-5951, in CANADA at 1-800-805-5523 or send e-mail correspondence to [emissions@husqvarnagroup.com](mailto:emissions@husqvarnagroup.com) or [warranty@hpp-emissions.com](mailto:warranty@hpp-emissions.com).

#### **WHERE TO GET WARRANTY SERVICE**

Warranty services or repairs are provided through all Husqvarna Professional Products, Inc. authorized servicing dealers. If the nearest authorized servicing

dealer is more than 100 miles from your location, Husqvarna Professional Products, Inc. will arrange and pay for the shipping costs to and from a brand authorized servicing dealer or otherwise arrange for warranty service in accordance with applicable regulations.

#### **MAINTENANCE, REPLACEMENT AND REPAIR OF EMISSION-RELATED PARTS**

Any replacement part may be used in the performance of any warranty maintenance or repairs and must be provided without charge to the owner. Such use will not reduce the warranty obligations of the manufacturer.

#### **MAINTENANCE STATEMENT**

The owner is responsible for the performance of all required maintenance, as defined in the owner's manual.

\* Current and following model year will be updated annually in the warranty statement provided to the consumer. For example, in 2012 model year, 2012-2013 will be specified.

\*\* Evaporative emission parts.

## Contenido

Introducción.....	22	Solución de problemas.....	38
Seguridad.....	24	Transporte y almacenamiento.....	39
Montaje.....	29	Datos técnicos.....	39
Funcionamiento.....	31	Accesorios.....	40
Mantenimiento.....	35	Garantía.....	42

## Introducción

### Descripción del producto

El producto es una recortadora de césped con un motor de combustión.

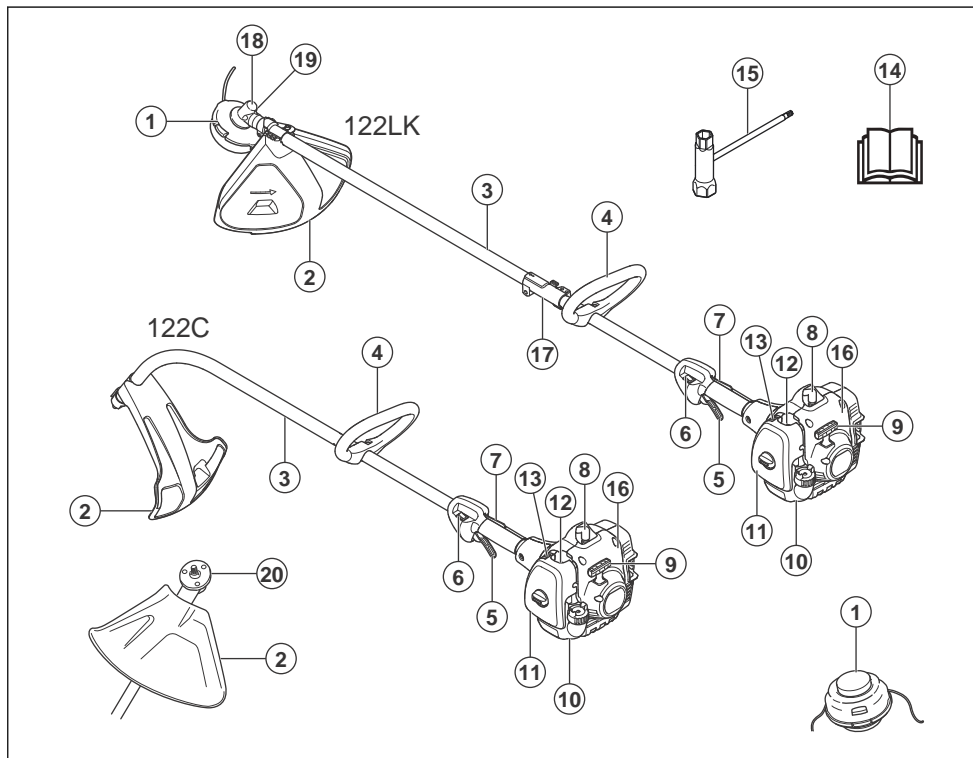
Se realiza un trabajo constante para aumentar su seguridad y la eficiencia durante la operación. Póngase en contacto con su taller de servicio para obtener más información.

### Uso específico

El producto se utiliza con un cabezal de corte para cortar césped. No utilice el producto para otras tareas que no sean cortar y desbrozar césped.

**Tenga en cuenta:** Las normativas nacionales pueden establecer un límite para el funcionamiento del producto.

### Descripción general de la máquina



1. Cabezal de corte

2. Protección del equipo de corte

3. Eje
4. Mango cerrado
5. Gatillo del acelerador
6. Interruptor de detención
7. Bloqueo del acelerador
8. Sombrero de bujía y bujía
9. Empuñadura de la cuerda de arranque
10. Depósito de combustible
11. Cubierta del filtro de aire
12. Bulbo de la purga de aire
13. Estrangulador
14. Manual del usuario
15. Llave combinada
16. Cuerpo del mecanismo de arranque
17. Acoplamiento de eje
18. Engranaje angulado
19. Tapón de llenado de grasa, engranaje angulado
20. Disco de arrastre

## Símbolos en el producto



**ADVERTENCIA:** Este producto es peligroso. El operador o las personas que se encuentran cerca pueden sufrir lesiones o la muerte si el producto no se utiliza con cuidado y correctamente. Para evitar daños graves al operador o a las personas que se encuentran cerca, lea y siga todas las instrucciones de seguridad del manual de usuario.



Lea atentamente el manual de instrucciones y asegúrese de que entiende las instrucciones antes de usar el producto.



Utilice un casco protector en lugares donde puedan caer objetos sobre usted. Use protección auricular aprobada. Use protección ocular homologada.



Régimen máximo del eje de salida.



Este producto cumple con las directivas CE pertinentes.



El producto puede provocar que los objetos salgan expulsados, lo que puede causar lesiones.



Manténgase a un mínimo de 15 m de distancia de las personas y los animales mientras el producto esté funcionando.



Use guantes protectores homologados.



Use botas antideslizantes de servicio pesado.



Utilice solo cable de corte flexible. No utilice equipos de corte metálicos.



Emisiones de ruido en el medioambiente según la Directiva de la Comunidad Europea. Las emisiones que genera el producto se especifican en el capítulo Datos técnicos y en la etiqueta.



Bulbo de la purga de aire.



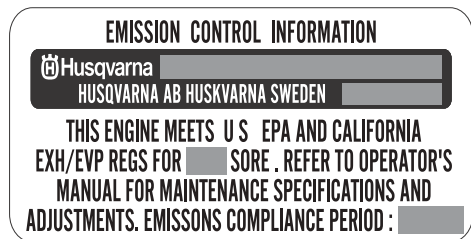
Estrangulador.

aaasssxxxx

En la placa de características, se muestra el número de serie. **aaaa** es el año de producción, **ss** es la semana de producción.

**Tenga en cuenta:** Otros símbolos o etiquetas del producto hacen referencia a requisitos de certificación para otras zonas comerciales.

## EPA III



El Período de cumplimiento de emisiones al que se hace referencia en la etiqueta de Cumplimiento de emisiones indica la cantidad de horas de funcionamiento en la que se ha demostrado que el motor cumple los requisitos de emisiones federales y de California.

## Propuesta 65 de California

**⚠️ ¡ADVERTENCIA!**

Los gases de escape del motor de este producto contienen sustancias químicas conocidas en el Estado de California como causantes de cáncer, defectos congénitos y otros daños reproductivos.

### Asistencia al cliente

Para comunicarse con asistencia al cliente, llame al: 1-800-487-5951 o visite [www.husqvarna.com](http://www.husqvarna.com).

## Responsabilidad del fabricante

Como se menciona en las leyes de responsabilidad del fabricante, no nos hacemos responsables de los daños que cause nuestro producto si:

- el producto se repara incorrectamente
- el producto se repara con piezas que no son del fabricante o que este no autoriza
- el producto tiene un accesorio que no es del fabricante o que este no autoriza
- el producto no se repara en un centro de servicio autorizado o por una autoridad aprobada.

---

## Seguridad

---

### Definiciones de seguridad

Las advertencias, precauciones y notas se utilizan para señalar las piezas particularmente importantes del manual.



**ADVERTENCIA:** Se utilizan para señalar el riesgo de lesiones graves o mortales para el operador o para aquellos que se encuentren cerca si no se siguen las instrucciones del manual.



**AVISO:** Se utilizan para señalar el riesgo de dañar la máquina, otros materiales o el área adyacente si no se siguen las instrucciones del manual.

**Tenga en cuenta:** Se utilizan para entregar más información necesaria en situaciones particulares.

### Instrucciones generales de seguridad



**ADVERTENCIA:** Lea atentamente las instrucciones de advertencia siguientes antes de usar el producto.

- Utilice el producto correctamente. Las lesiones graves o fatales son un posible resultado de un uso incorrecto. Solo utilice el producto para las tareas que aparecen en este manual. No utilice el producto para otras tareas.
- Obedezca las instrucciones contenidas en este manual. Obedezca los símbolos y las instrucciones de seguridad. Si el usuario no obedece las instrucciones y los símbolos, es posible que se produzcan daños y lesiones tanto graves como fatales.
- No deseche este manual. Utilice las instrucciones para montar, operar y mantener el producto en buen estado. Utilice las instrucciones para la correcta instalación de piezas y accesorios. Utilice solamente piezas y accesorios homologados.
- No use un producto dañado. Cumpla con el programa de mantenimiento. Realice solamente las tareas de mantenimiento en las que se detallan instrucciones en este manual. Un centro de servicio autorizado debe realizar todos los demás trabajos de mantenimiento.
- En este manual no se pueden abarcar todas las situaciones que pueden ocurrir cuando se utiliza el producto. Tenga cuidado y use el sentido común. No haga funcionar el producto ni le realice mantenimiento si no está seguro de la situación. Hable con un experto en el producto, su distribuidor, el agente de servicio o un centro de servicio autorizado para obtener más información.
- Desconecte el cable de la bujía antes de montar o almacenar el producto, o realizar tareas de mantenimiento.
- No utilice el producto si cambia su especificación inicial. No cambie una parte del producto sin la aprobación del fabricante. Utilice solo piezas aprobadas por el fabricante. Las lesiones graves o fatales son un posible resultado de un mantenimiento incorrecto.
- No respire los humos del motor. La inhalación prolongada de los gases de escape es un riesgo para la salud.
- No encienda el producto en interiores o cerca de materiales inflamables. Los gases de escape están muy calientes y pueden crear incendios debido a la creación de chispas. Un flujo de aire insuficiente puede causar lesiones graves o fatales por asfixia o debido al monóxido de carbono.
- Cuando utilice este producto, el motor crea un campo electromagnético. El campo



electromagnético puede causar daños a implantes médicos. Hable con su médico y fabricante del implante antes de utilizar el producto.

- No deje que un niño utilice el producto. No permita que una persona que no conozca las instrucciones utilice el producto.
- Asegúrese de supervisar siempre a una persona con capacidades físicas o mentales limitadas que utilice el producto. Debe haber un adulto responsable en todo momento.
- Mantenga el producto en un área a la cual los niños y las personas no autorizadas no puedan acceder.
- El producto puede expulsar objetos y causar lesiones. Siga las instrucciones de seguridad para reducir el riesgo de lesiones graves o fatales.
- No se aleje del producto cuando el motor esté en marcha.
- El operador del producto es responsable en caso de un accidente.
- Asegúrese de que las piezas no estén dañadas antes de utilizar el producto.
- Asegúrese de estar al menos a 15 m (50 pies) de distancia de otras personas o animales antes de utilizar el producto. Asegúrese de que las personas en el área adyacente sepan que utilizará el producto.
- Consulte las leyes locales o nacionales. Estas pueden evitar o disminuir el funcionamiento del producto en algunas condiciones.
- No utilice el producto si está cansado o bajo la influencia de alcohol, drogas o medicamentos. Pueden tener efectos sobre su visión, estado de alerta, coordinación o criterio.

## Instrucciones de seguridad para el montaje



**ADVERTENCIA:** Lea atentamente las instrucciones de advertencia siguientes antes de usar el producto.

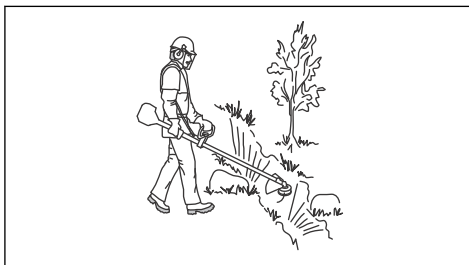
- Retire el sombrerete de bujía de la bujía antes de montar el producto.
- Use guantes protectores homologados.
- Antes de arrancar el motor, asegúrese de montar la cubierta y el eje de forma adecuada.

## Instrucciones de seguridad para el funcionamiento

- Asegúrese de que el producto esté completamente montado antes de usarlo.
- Antes de comenzar, mueva el producto 3 m (10 pies) de distancia desde la posición donde llenó el depósito de combustible. Coloque el producto sobre una superficie plana. Asegúrese de que el equipo de corte no toque el suelo u otros objetos.
- El producto puede provocar que los objetos salgan expulsados, lo que puede causar daños a los ojos.

Use siempre protección ocular autorizada cuando utilice el producto.

- Tenga cuidado, un niño puede acercarse al producto sin que lo note mientras se encuentra en funcionamiento.
- No utilice el producto si hay personas en el área de trabajo. Detenga el producto si una persona entra al área de trabajo.
- Asegúrese de estar siempre en control del producto.
- No utilice el producto si no puede recibir ayuda en caso de un accidente. Asegúrese siempre de que los demás sepan que va a utilizar el producto antes de comenzar a utilizarlo.
- No gire con el producto sin asegurarse de que no haya personas ni animales en la zona de seguridad.
- Retire todos los materiales no deseados del área de trabajo antes de empezar. Si el equipo de corte choca contra un objeto, el objeto se puede expulsar y causar lesiones o daños. El material no deseado puede enredarse en el equipo de corte y causar daños.
- No utilice el producto en malas condiciones climáticas (niebla, lluvia, vientos fuertes, riesgo de rayos u otros tipos de condiciones climáticas). Las condiciones peligrosas (como superficies resbaladizas) se pueden producir debido al mal clima.
- Asegúrese de poder moverse libremente y trabajar en una posición estable.



- Asegúrese de no correr riesgos de caídas cuando utilice el producto. No se incline cuando utilice el producto.
- Siempre sostenga el producto con las dos manos. Mantenga el producto al lado derecho de su cuerpo.



- Utilice el producto con el equipo de corte por debajo de la cintura.

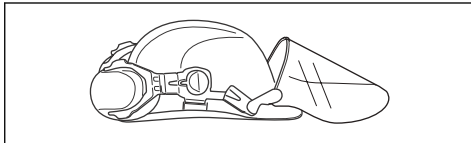
- Si el estrangulador está en la posición de estrangulamiento cuando el motor arranca, el equipo de corte comienza a girar.
- No toque el engranaje angulado después de que se detenga el motor. El engranaje angulado está caliente después de que el motor se detiene. Las áreas calientes pueden causar lesiones.
- Detenga el motor antes de mover el producto.
- No deje el producto en el suelo con el motor encendido.
- Antes de eliminar el material no deseado del producto, detenga el motor y espere hasta que el equipo de corte se detenga. Deje que el equipo de corte se detenga antes de que usted o un ayudante quiten el material de corte.

### Equipo de protección personal

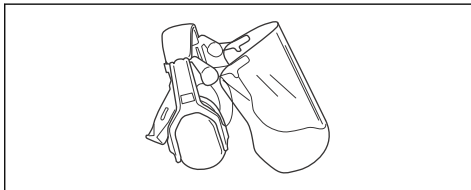


**ADVERTENCIA:** Lea atentamente las instrucciones de advertencia siguientes antes de usar el producto.

- Utilice siempre el equipo de protección personal adecuado cuando use el producto. El equipo de protección personal no puede impedir el riesgo de lesiones, pero disminuirá el grado de lesión si ocurre un accidente. Permita que su distribuidor le ayude seleccionar el equipo adecuado.
- Utilice un casco protector cuando exista el riesgo de caída de objetos.

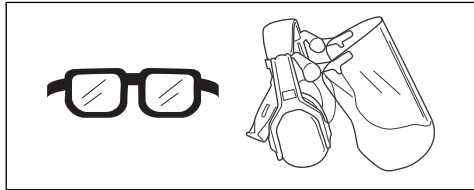


- Utilice protectores auriculares aprobados que proporcionen una reducción de ruido adecuada. La exposición prolongada al ruido puede causar la pérdida permanente de la audición.

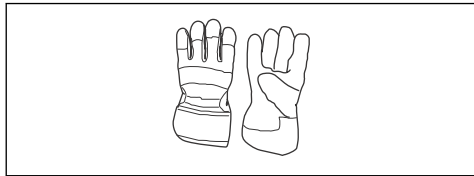


- Use protección ocular homologada. Si utiliza un visor, también debe usar gafas protectoras homologadas. Las gafas protectoras homologadas

deben cumplir con la norma ANSI Z87.1 de EE. UU. o EN 166 para países de la UE.



- Utilice guantes cuando sea necesario, por ejemplo, cuando conecte, examine o limpie el equipo de corte.



- Utilice botas resistentes antideslizantes.



- Utilice ropa de material resistente. Use siempre pantalones largos y gruesos, y mangas largas. Evite usar ropas holgadas que se puedan enganchar con ramas. No trabaje con joyas, pantalones cortos, sandalias ni con los pies descalzos. Asegure su cabello por encima del nivel de los hombros.
- Mantenga un equipo de primeros auxilios a mano.



### Dispositivos de seguridad en el producto



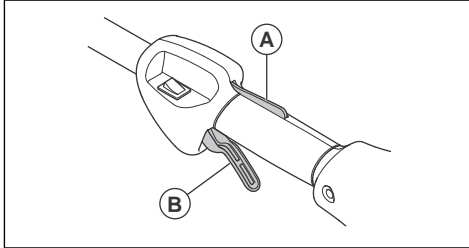
**ADVERTENCIA:** Lea atentamente las instrucciones de advertencia siguientes antes de usar el producto.

- No utilice un producto con dispositivos de seguridad defectuosos.
- Revise los dispositivos de seguridad de forma regular. Consulte *Programa de mantenimiento en la página 35*.

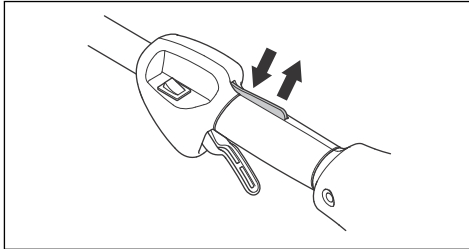
- Si los dispositivos de seguridad están defectuosos, comuníquese con su concesionario de servicio Husqvarna.

### Comprobación del fiador del acelerador

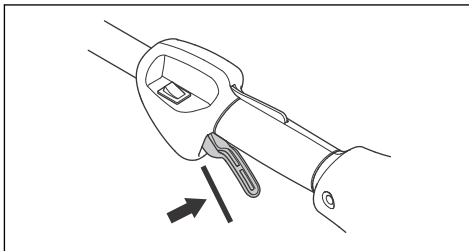
1. Asegúrese de que el bloqueo del acelerador (A) y el acelerador (B) se muevan libremente y que el muelle de retorno funcione de manera correcta.



2. Presione el bloqueo del acelerador hacia abajo y asegúrese de que vuelva a su posición inicial cuando lo suelte.



3. Asegúrese de que el acelerador esté bloqueado en la posición de ralentí cuando el bloqueo del acelerador esté liberado.



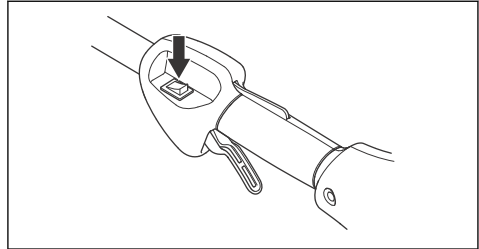
4. Encienda el producto y aplique la aceleración máxima.
5. Suelte el acelerador y asegúrese de que las hojas se detengan y permanezcan inmóviles.



**ADVERTENCIA:** Si las hojas se mueven cuando el acelerador está en la posición de ralentí, se debe ajustar el régimen de ralentí del carburador. Consulte *Para ajustar el régimen de ralentí en la página 36*.

### Para comprobar el interruptor de detención

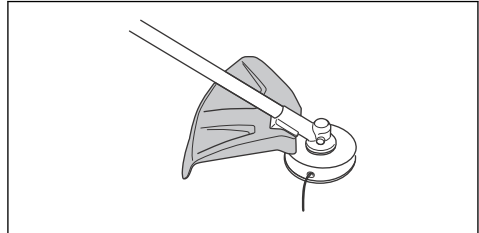
1. Arranque el motor.
2. Mueva el interruptor de detención a la posición de detención y asegúrese de que el motor se detenga.



### Comprobación de la protección del equipo de corte

La protección del equipo de corte evita que un objeto salga disparado en dirección al operador. También evita lesiones que se producen si toca el equipo de corte.

1. Detenga el motor.
2. Realice una comprobación visual para determinar si existen daños, por ejemplo, grietas.



3. Reemplace la protección del equipo de corte si está dañada.

### Silenciador

- No utilice un motor con un silenciador dañado. Un silenciador dañado aumenta el nivel de ruido y el riesgo de incendio. Mantenga un extintor de incendios cerca.
- Examine frecuentemente que el silenciador esté unido al producto.
- No toque el motor o el silenciador cuando el motor esté en marcha. No toque el motor o el silenciador por un tiempo después de que el motor se detenga. Las superficies calientes pueden causar lesiones.
- Un silenciador caliente puede provocar un incendio. Tenga cuidado si utiliza el producto cerca de líquidos inflamables o gases.
- No toque las piezas del silenciador si el silenciador está dañado. Las piezas pueden contener algunos productos químicos cancerígenos.

## Equipo de corte



**ADVERTENCIA:** Lea atentamente las instrucciones de advertencia siguientes antes de usar el producto.

- Realice el mantenimiento periódico. Permita que un centro de servicio autorizado examine frecuentemente el equipo de corte para realizar ajustes o reparaciones.
  - El rendimiento del equipo de corte aumenta.
  - La vida útil del equipo de corte aumenta.
  - Disminuye el riesgo de accidentes.
- Solamente utilice una protección aprobada para el equipo de corte. Consulte *Accesorios en la página 40*.
- No utilice un equipo de corte dañado.

## Seguridad de combustible



**ADVERTENCIA:** Lea atentamente las instrucciones de advertencia siguientes antes de usar el producto.

- No mezcle el combustible en interiores o cerca de una fuente de calor.
- No arranque el producto si hay combustible o aceite de motor en el producto. Quite el combustible o aceite no deseado y deje secar el producto. Quite el combustible no deseado del producto.
- Si derrama combustible en su ropa, cámbiese la ropa inmediatamente.
- No permita que le caiga combustible en el cuerpo, ya que puede causar lesiones. Si le cae combustible en el cuerpo, utilice jabón y agua para quitarlo.
- No arranque el motor si derrama aceite o combustible en el producto o en su cuerpo.
- No arranque el producto si el motor tiene una fuga. Examine frecuentemente el motor en busca de fugas.
- Tenga cuidado con el combustible. El combustible es inflamable y los gases son explosivos y pueden causar lesiones graves o fatales.
- No respire los gases del combustible, ya que pueden causar lesiones. Asegúrese de que haya suficiente flujo de aire.
- No fume cerca del combustible o del motor.
- No coloque objetos calientes cerca del combustible o del motor.
- No agregue combustible cuando el motor esté en marcha.
- Asegúrese de que el motor se enfríe antes de llenar el depósito de combustible.
- Antes de llenar el depósito de combustible, abra lentamente la tapa del depósito de combustible y libere la presión con cuidado.
- Asegúrese de que haya suficiente flujo de aire cuando recargue y mezcle combustible (gasolina y

aceite para motores de dos tiempos) o cuando vacíe el depósito de combustible.

- El combustible y sus gases son altamente inflamables y pueden causar lesiones graves si se inhalan o entran en contacto con la piel. Por esta razón, tenga precaución al manipular el combustible y asegúrese de que haya suficiente ventilación.
- Apriete la tapa del depósito de combustible con cuidado para evitar incendios.
- Mueva el producto a un mínimo de 3 m (10 pies) de la posición en la que se llenó el depósito antes de empezar.
- No ponga demasiado combustible en el depósito de combustible.
- Asegúrese de que no se puedan provocar fugas cuando mueva el producto o el recipiente de combustible.
- No coloque el producto ni un recipiente de combustible donde haya una llama expuesta, una chispa o una fuente de calor. Asegúrese de que no haya una llama expuesta en el área de almacenamiento.
- Utilice solamente contenedores aprobados cuando mueva el combustible o coloque el combustible en el almacenamiento.
- Vacíe el depósito de combustible antes de un almacenamiento a largo plazo. Cumpla con las leyes locales en cuanto al lugar en dónde se puede deshacer del combustible.
- Limpie el producto antes de un almacenamiento a largo plazo.
- Retire el sombrerete de bujía antes de almacenar el producto para asegurarse de que el motor no arranque accidentalmente.

## Instrucciones de seguridad para el mantenimiento



**ADVERTENCIA:** Lea atentamente las instrucciones de advertencia siguientes antes de usar el producto.

- Detenga el motor, asegúrese de que el equipo de corte se detenga y deje que se enfríe antes de realizar el mantenimiento.
- Desconecte el sombrerete de bujía antes de realizar el mantenimiento.
- Los gases de escape del motor contienen monóxido de carbono, un gas inodoro, tóxico y muy peligroso que puede causar la muerte. No arranque el producto en interiores o en espacios cerrados.
- Los gases de escape del motor están calientes y pueden contener chispas. No encienda el producto en interiores ni cerca de materiales inflamables.
- Accesorios y modificaciones en el producto que no estén aprobados por el fabricante pueden causar lesiones graves o la muerte. No modifique el producto. Siempre utilice accesorios originales.

- Si el mantenimiento no se realiza de manera correcta y regular, aumenta el riesgo de que se produzcan lesiones y que el producto se dañe.
- Solo realice mantenimiento según lo que se indica en este manual de usuario. Solicite que un Husqvarna taller de servicio realice todos los otros servicios.
- Permita que un taller de servicio Husqvarna aprobado realice trabajos de mantenimiento en el producto con regularidad.

- Cambie las piezas dañadas, desgastadas o rotas.
- Consulte las instrucciones del equipo de corte para conocer la forma adecuada de instalar el hilo de la recortadora y el diámetro adecuado del hilo.
- Mantenga los dientes de la hoja afilados correctamente. Siga nuestras recomendaciones. También consulte las instrucciones del envase de la hoja.

## Montaje

### Introducción



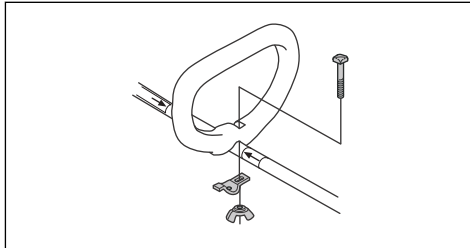
**ADVERTENCIA:** Antes de montar el producto, debe leer y entender el contenido del capítulo sobre seguridad.



**ADVERTENCIA:** Retire el cable de la bujía de la bujía antes de montar el producto.

### Para conectar el mango cerrado

1. Conecte el mango cerrado al eje como se muestra en la ilustración y apriete.

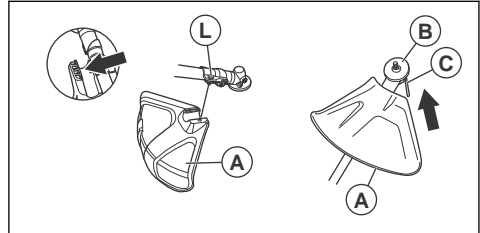


2. Asegúrese de conectar el mango cerrado entre las flechas del eje.

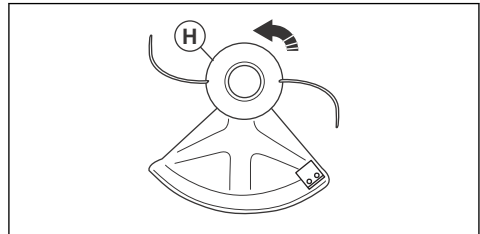
### Para conectar la protección del equipo de corte y el cabezal de corte (eje recto)

1. Conecte la protección del equipo de corte (A) al eje con el perno (L).
2. Conecte el disco de arrastre (B) al eje de salida.
3. Gire el eje de salida hasta que el orificio en el eje de arrastre se alinee con el orificio en la caja de engranajes.

4. Coloque un destornillador pequeño (C) en el orificio para bloquear el eje.

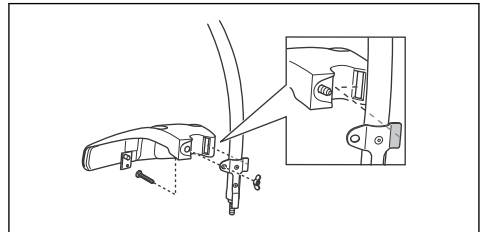


5. Gire el cabezal de corte (H) hacia la izquierda para apretar el cabezal de corte a la caja de cambios. (rosca izquierdas).

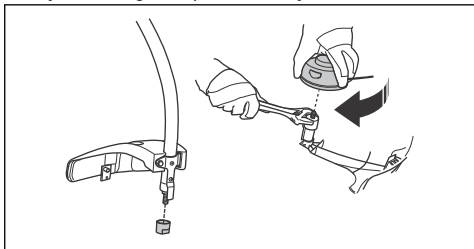


### Para conectar la protección del equipo de corte y el cabezal de corte (eje curvado)

1. Fije la protección. Apriete la tuerca.



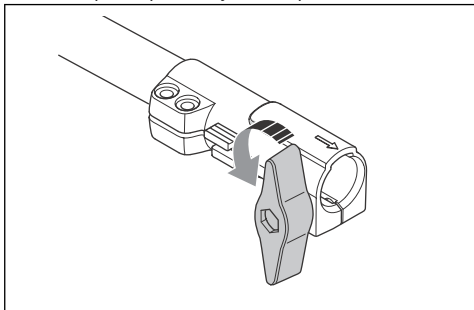
2. Fije el cubo guardapolvo en el eje.



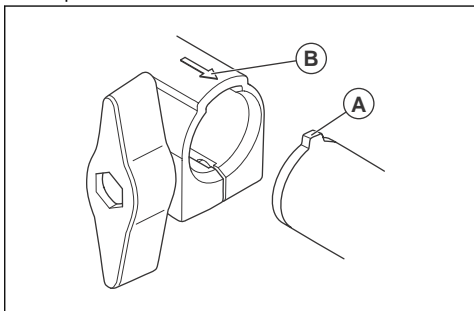
3. Fije el cubo guardapolvo con una llave ajustable para asegurarse de que el eje no gire.
4. Conecte el cabezal de corte al eje. Gire el cabezal de corte hacia la derecha.

### Para montar el eje de dos piezas

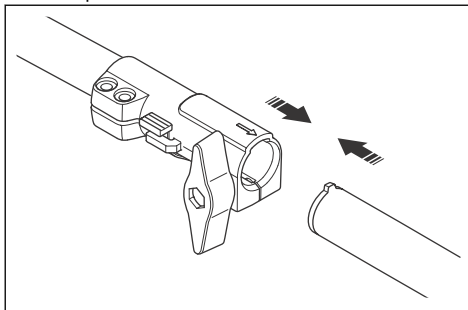
1. Gire la perilla para aflojar el acoplamiento.



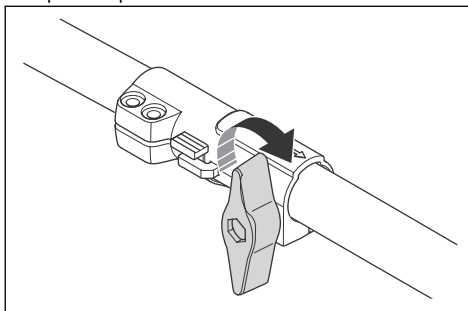
2. Alinee la pestaña (A) con la flecha (B) en el acoplamiento.



3. Empuje el eje en el acoplamiento hasta que encaje en su posición.

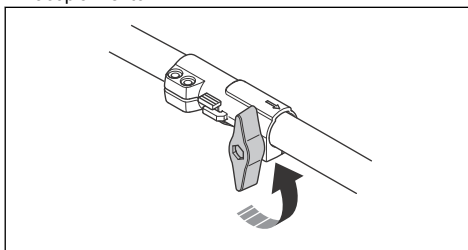


4. Apriete la perilla hasta el fondo.



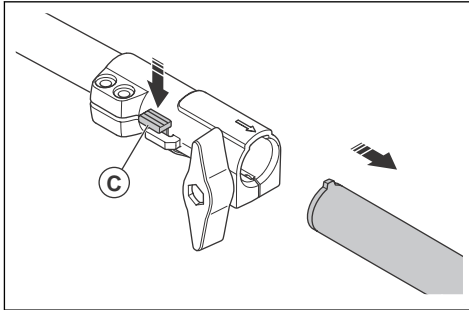
### Para desmontar el eje de dos piezas

1. Gire la perilla unas 3 vueltas o más para aflojar el acoplamiento.



2. Mantenga presionado el botón (C).
3. Apriete fuertemente hacia abajo el extremo del eje al que está conectado el motor.

4. Tire del accesorio para sacarlo del acoplamiento.



## Funcionamiento

### Introducción



**ADVERTENCIA:** Antes de utilizar el producto, debe leer y entender el capítulo sobre seguridad.

### Combustible

Este producto tiene un motor de dos tiempos.



**AVISO:** Usar el tipo incorrecto de combustible puede causar daños en el motor. Utilice una mezcla de gasolina y de aceite para motores de dos tiempos.

### Combustible premezclado

- Utilice combustible de alquilato premezclado Husqvarna para obtener el mejor rendimiento y prolongar la vida útil del motor. Este combustible contiene menos químicos dañinos en comparación con el combustible normal, lo cual disminuye los gases de escape dañinos. La cantidad de restos después de la combustión es menor con este combustible, que mantiene más limpios los componentes del motor.

### Para mezclar combustible

#### Gasolina

- Utilice gasolina sin plomo de buena calidad con un contenido máximo de un 10 % de etanol.



**AVISO:** No utilice gasolina con un octanaje inferior a 90 RON/87 AKI. El uso de gasolina de octanaje inferior puede causar el golpeteo del motor, lo que provoca daños en el motor.

### Aceite para motores de dos tiempos

- Para obtener los mejores resultados y el mejor rendimiento, utilice aceite para motores de dos tiempos Husqvarna.
- Si el aceite para motores de dos tiempos Husqvarna no está disponible, utilice un aceite para motores de dos tiempos de buena calidad para motores enfriados por aire. Contáctese con su concesionario de servicio para seleccionar el aceite correcto.



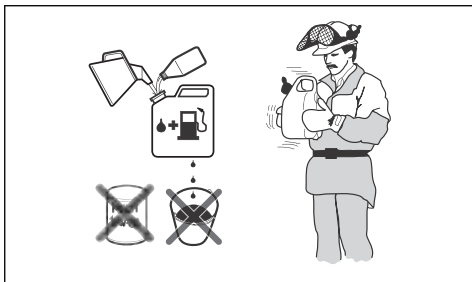
**AVISO:** No utilice aceite para motores de dos tiempos para motores fueraborda refrigerados por agua, también conocido como aceite para fueraborda. No utilice aceite para motores de cuatro tiempos.

### Para mezclar gasolina y aceite para motores de dos tiempos

Gasolina, litros	Aceite para motores de dos tiempos, litro
	<b>2 % (50:1)</b>
5	0,10
10	0,20
15	0,30
20	0,40
Galón estadounidense	Onza líquida EE. UU.
1	2 ½
2 1/2	6 ½
5	12 ½



**AVISO:** Los errores pequeños pueden influir drásticamente en la proporción de la mezcla cuando se mezclan cantidades pequeñas de combustible. Mida cuidadosamente la cantidad de aceite y asegúrese de obtener la mezcla correcta.



1. Llene la mitad de la cantidad de gasolina en un recipiente limpio para combustible.
2. Agregue la cantidad total de aceite.
3. Agite la mezcla de combustible.
4. Agregue la cantidad restante de gasolina al recipiente.
5. Agite cuidadosamente la mezcla de combustible.



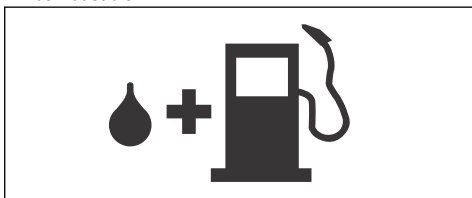
**AVISO:** No mezcle el combustible durante más de 1 mes cada vez.

#### Para llenar el depósito de combustible



**ADVERTENCIA:** Para su seguridad, siga el procedimiento que se indica a continuación.

1. Detenga el motor y deje que se enfríe.
2. Limpie el área alrededor del tapón del depósito de combustible.



3. Agite el recipiente y asegúrese de que el combustible esté totalmente mezclado.
4. Retire lentamente la tapa del depósito de combustible para liberar la presión.
5. Llene el depósito de combustible.



**AVISO:** Asegúrese de que el depósito de combustible no esté demasiado lleno. El combustible se expande cuando se calienta.

6. Apriete bien la tapa del depósito de combustible cuidadosamente.
7. Limpie los derrames de combustible en el producto y los alrededores.
8. Antes de arrancarlo, aleje el producto 3 m/10' o más del área de recarga de combustible y de la fuente de combustible.

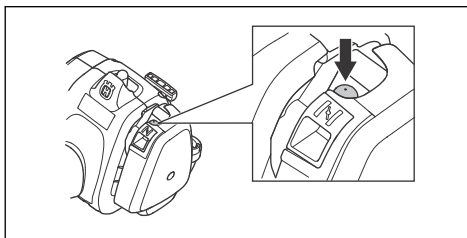
**Tenga en cuenta:** Para conocer la ubicación del depósito de combustible en el producto, consulte *Descripción general de la máquina en la página 22.*

#### Qué se debe examinar antes de comenzar

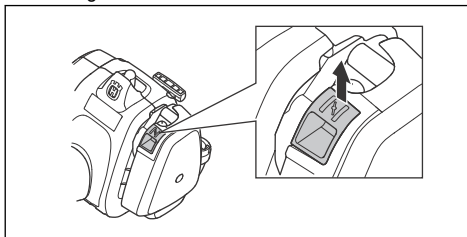
1. Asegúrese de que al producto no le falten piezas ni que tenga piezas dañadas, flojas o desgastadas.
2. Asegúrese de que las tuercas, los pernos y los tornillos estén apretados.
3. Asegúrese de que el cabezal de corte no presente daños.
4. Asegúrese de que el filtro de aire no esté obstruido.
5. Asegúrese de que los dispositivos de seguridad del producto no estén defectuosos.
6. Asegúrese de que el producto no presente fugas de combustible.

#### Para arrancar un motor frío

1. Presione el bulbo de la bomba de combustible de aire 10 veces.

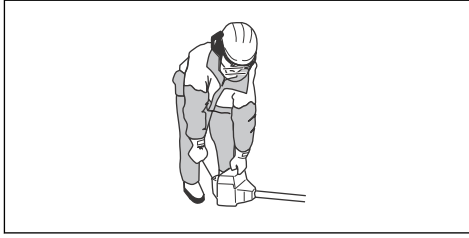


2. Establezca el estrangulador en la posición de estrangulamiento.





3. Mantenga el cuerpo del producto en el suelo con la mano izquierda.



**AVISO:** No se pare sobre el producto.

4. Tire lentamente la empuñadura de la cuerda de arranque con la mano derecha hasta que sienta resistencia. A continuación, tire de la empuñadura de la cuerda de arranque rápidamente y con fuerza hasta que el motor arranque o lo intente.



**ADVERTENCIA:** No se enrolle la cuerda de arranque en la mano.

5. Establezca el estrangulador en la posición de funcionamiento.
6. Si el motor arranca, presione ligeramente el bloqueo del acelerador y deje que el motor funcione durante 60 segundos para calentarse. Si el motor no arranca, tire de la empuñadura de la cuerda de arranque hasta que arranque. A continuación, presione ligeramente el bloqueo del acelerador y deje que el motor funcione durante 60 segundos para calentarse.



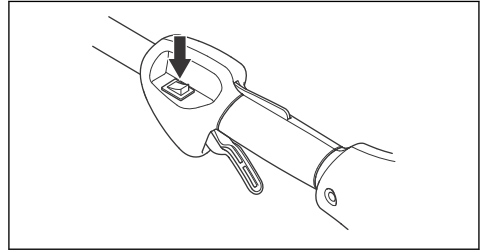
**AVISO:** No tire la cuerda de arranque en toda su extensión y no suelte la empuñadura de la cuerda de arranque. Esto puede provocar daños al producto. Suelte la cuerda de arranque lentamente.

### Para arrancar un motor caliente

1. Presione el bulbo de la bomba de combustible de aire 10 veces.
2. Tire de la cuerda de arranque hasta que el motor arranque.

### Para detener el producto

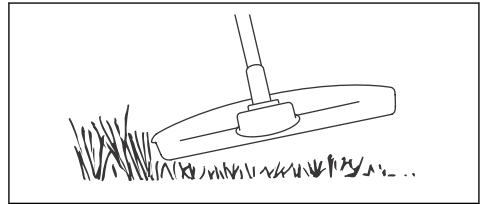
- Presione el interruptor de detención para detener el motor.



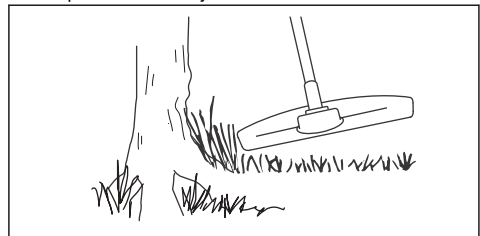
**Tenga en cuenta:** El interruptor de detención regresa automáticamente a su posición inicial.

### Para recortar el césped

1. Sostenga el cabezal de corte inmediatamente sobre el nivel del suelo en un ángulo. No presione el hilo de la recortadora de césped contra este último.



2. Disminuya la longitud del hilo de la recortadora entre 10 y 12 cm/4 y 4,75".
3. Disminuya el régimen del motor para reducir el riesgo de dañar las plantas.
4. Use una aceleración de un 80 % cuando corte el césped cerca de objetos.



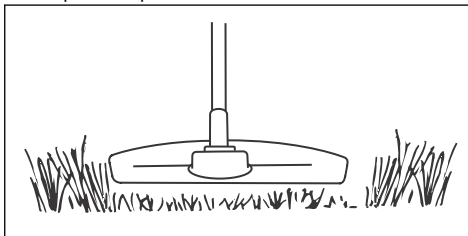
### Para arrancar el pasto con una hoja para hierba

1. Las hojas para hierba y las cortadoras de césped no se deben utilizar para tallos leñosos.
2. Una hoja para hierba se utiliza para todos los tipos de césped alto o hierba gruesa.

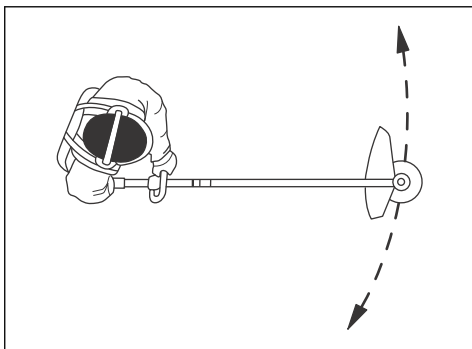
3. La hierba se corta con un movimiento lateral y oscilante, donde el movimiento de derecha a izquierda es de limpieza y el movimiento de izquierda a derecha es de retorno. Deje que el lado izquierdo de la hoja (levemente inclinada hacia la izquierda y hacia el frente) realice el corte.
4. Si la hoja está inclinada a la izquierda cuando corta la hierba, esta se acumulará en una línea, lo que hace que sea más sencillo juntarla, por ejemplo, con un rastrillo.
5. Intente trabajar a compás. Párese firmemente con los pies separados. Avance después del movimiento de retorno y vuelva a pararse firme.
6. Deje que la cazoleta de apoyo descanse ligeramente sobre el suelo. Se utiliza para evitar que la hoja golpee el suelo.
7. Reduzca el riesgo de que el material envuelva la hoja trabajando siempre a máxima velocidad y evitando el material cortado anteriormente durante el movimiento de retorno.
8. Detenga el motor, desenganche el arnés y coloque la máquina en el suelo antes de comenzar a juntar el material cortado.

### Para cortar el césped

1. Asegúrese de que el hilo de la recortadora de césped esté paralelo al suelo cuando corte.



2. No presione el cabezal de corte contra el suelo. Esto puede provocar daños al producto.
3. Mueva el producto de un lado a otro cuando corte. Utilice la máxima velocidad.



### Para barrer el césped

El flujo de aire del hilo giratorio de la recortadora puede usarse para eliminar el césped cortado de una zona.

1. Mantenga el cabezal de corte y el hilo de la recortadora paralelos al suelo y por sobre él.
2. Acelere al máximo.
3. Mueva el cabezal de corte de lado a lado y barra la hierba.



**ADVERTENCIA:** Limpie la cubierta del cabezal de corte cada vez que monte el nuevo hilo de la recortadora para evitar desestabilizaciones y vibraciones en los manillares. También realice una comprobación de las demás piezas del cabezal de corte y límpielo si es necesario.

### Cabezal de corte para hierba

- Asegúrese de enrollar el hilo de la recortadora de césped firme y equitativamente alrededor del tambor para disminuir la vibración.
- Utilice solamente cabezales e hilos de corte para hierba aprobados. Consulte *Accesorios en la página 40*.
- Utilice una longitud correcta de hilo para la recortadora. Un hilo largo para la recortadora utiliza más potencia del motor que un hilo corto.
- Asegúrese de que la cortadora en la protección del equipo de corte no está dañada.
- Empape el hilo de la recortadora de césped en agua durante 2 días antes de conectarlo al producto. Esto aumenta la vida útil del hilo de la recortadora de césped.
- Consulte las instrucciones del equipo de corte para usar el procedimiento adecuado para cargar el hilo de la recortadora y su diámetro adecuado.

## Mantenimiento

### Introducción



**ADVERTENCIA:** Antes de realizar el mantenimiento, debe leer y entender el capítulo sobre seguridad.

Para todos los trabajos de mantenimiento y reparación del producto, se requiere capacitación especial. Garantizamos la disponibilidad de trabajos de mantenimiento y reparación profesionales. Si el concesionario no cuenta con un taller de servicio, pídale información acerca del taller de servicio más cercano.

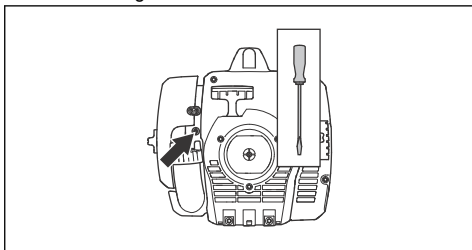
### Programa de mantenimiento

Mantenimiento	Diario	Una vez por semana	Una vez por mes
Limpie la superficie externa.	X		
Limpie el filtro de aire. Reemplácelos si es necesario.	X		
Examine el funcionamiento del bloqueador del acelerador y del acelerador.	X		
Examine el interruptor de detención.	X		
Examine las protecciones.	X		
Examine el cabezal de corte.	X		
Examine la contratuerca.	X		
Revise si hay fugas de combustible.	X		
Asegúrese de que la hoja para hierba esté alineada con el centro, de que esté afilada y de que la hoja o el agujero central no tengan daños.	X		
Asegúrese de que el equipo de corte no gire en régimen de ralentí.	X		
Aplique grasa al eje de dos piezas.		X	
Examine la empuñadura de la cuerda de arranque y la cuerda de arranque.		X	
Examine la grasa del engranaje angulado.		X	
Limpie la superficie exterior de la bujía. Retire la bujía y mida la distancia entre los electrodos. Ajuste la distancia entre los electrodos o cambie la bujía.		X	
Limpie el sistema de refrigeración.		X	
Limpie o cambie la rejilla apagachispas del silenciador.		X	
Limpie la superficie exterior del carburador y el espacio que lo rodea.		X	
Examine el filtro de combustible en busca de contaminación.			X
Examine la manguera de combustible en busca de daños.			X
Examine todos los cables y conexiones.			X
Revise si el embrague, los muelles de embrague y el tambor de embrague presentan desgaste.			X
Reemplace la bujía.			X

## Para ajustar el régimen de ralentí

Asegúrese de que el filtro de aire esté limpio y que la cubierta del filtro de aire esté instalada antes de ajustar el régimen de ralentí.

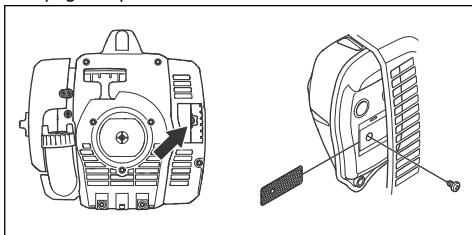
1. Gire el tornillo de ajuste de régimen de ralentí, identificado con una marca "T", en el sentido de las agujas del reloj hasta que el equipo de corte comience a girar.



2. Gire el tornillo de ajuste de régimen de ralentí, identificado con una marca "T", en el sentido contrario de las agujas del reloj hasta que el equipo de corte se detenga.
3. El régimen de ralentí debe ser inferior a la velocidad cuando el equipo de corte empieza a girar. El régimen de ralentí es el correcto cuando el motor funciona correctamente en todas las posiciones.

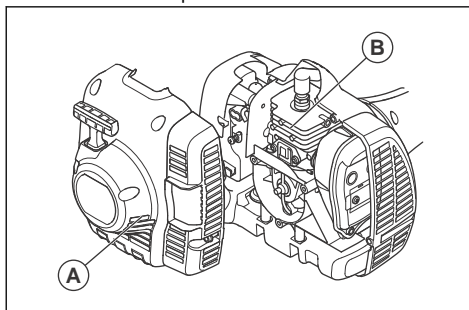
## Para realizar tareas de mantenimiento en la rejilla apagachispas

- Use un cepillo de alambre para limpiar la rejilla apagachispas.



## Para limpiar el sistema de refrigeración

- Limpie la toma de aire (A) en el mecanismo de arranque y las aletas de refrigeración (B) en el cilindro con un cepillo.

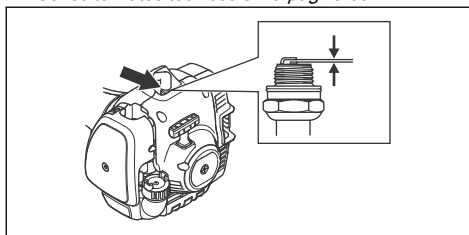


## Para examinar la bujía



**AVISO:** Utilice la bujía recomendada. Asegúrese de que la pieza de reemplazo sea la misma que la que proporcione el fabricante. Una bujía incorrecta puede causar daños al producto. Asegúrese de que la bujía esté instalada con un supresor. Póngase en contacto con su taller de servicio para obtener más información.

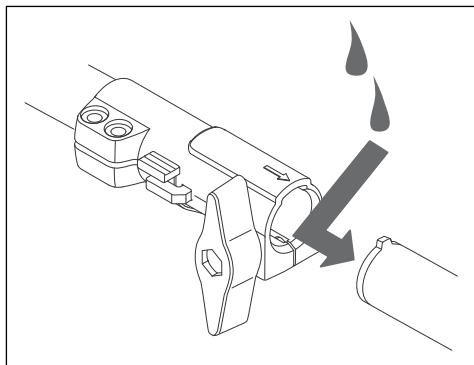
1. Examine la bujía cuando:
  - a) el motor tenga poca potencia.
  - b) el motor no arranque fácilmente.
  - c) el motor no funcione correctamente a régimen de ralentí.
2. Si el motor no arranca o funciona fácilmente, examine la bujía en busca de materiales no deseados. Para disminuir el riesgo de material no deseado en los electrodos de la bujía:
  - a) asegúrese de que el régimen de ralentí esté ajustado correctamente.
  - b) asegúrese de que la mezcla de combustible es la correcta.
  - c) asegúrese de que el filtro de aire esté limpio.
3. Limpie la bujía si está sucia. Asegúrese de que la distancia entre los electrodos sea la correcta. Consulte *Datos técnicos en la página 39*.



4. Reemplace la bujía cuando sea necesario.

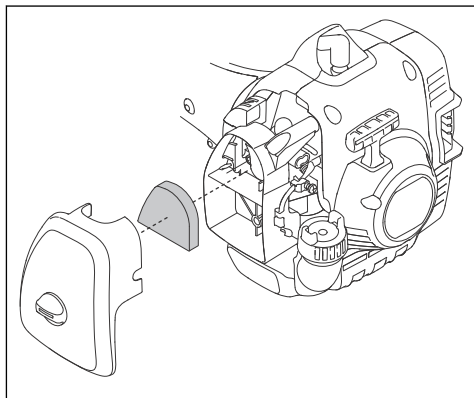
## Aplique grasa al eje de dos piezas

- Aplique grasa al extremo del eje propulsor cada 30 horas de funcionamiento.



## Para limpiar el filtro de aire

1. Quite la cubierta del filtro de aire y retire el filtro de aire.



2. Limpie el filtro de aire con agua jabonosa caliente. Asegúrese de que el filtro de aire esté seco antes de instalarlo.
3. Reemplace el filtro de aire si está demasiado sucio para limpiarlo completamente. Siempre reemplace un filtro de aire dañado.
4. Si su producto tiene un filtro de aire de espuma, aplique aceite del filtro de aire. Solo aplique aceite del filtro de aire a un filtro de espuma. No aplique aceite a un filtro de fieltro.

## Para aplicar aceite del filtro de aire al filtro de aire

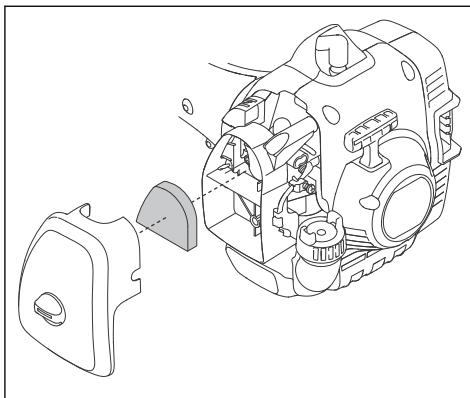


**AVISO:** Utilice siempre un aceite especial de filtros de aire en los filtros de aire de espuma. No utilice otros tipos de aceite.

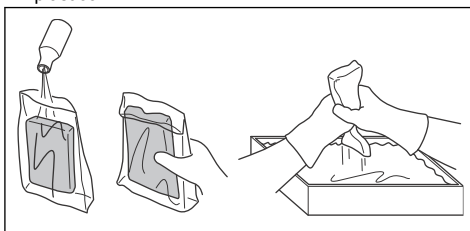


**ADVERTENCIA:** Evite que le caiga aceite en el cuerpo.

1. Quite la cubierta del filtro de aire y retire el filtro de aire.



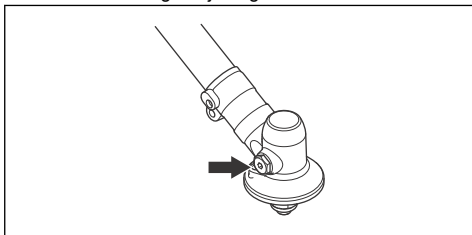
2. Coloque el filtro de aire en una bolsa de plástico.
3. Coloque el aceite del filtro de aire en una bolsa de plástico.



4. Empuje la bolsa de plástico para asegurarse de que el aceite se distribuya equitativamente en el filtro de aire.
5. Presione el filtro de aire, mientras se encuentra en la bolsa, para quitar el aceite que no sea necesario. Saque el filtro de aire de la bolsa.
6. Instale el filtro de aire.

## Para agregar grasa al engranaje angulado

- Asegúrese de que la grasa del engranaje angulado llene 3/4 del engranaje angulado.



## Solución de problemas

### El motor no arranca

Verificar	Causa posible	Procedimiento
Ganchos de arranque	Los ganchos de arranque no se pueden mover libremente.	Retire la cubierta del arranque y limpie alrededor de los ganchos de arranque.
		Permita que lo ayude un taller de servicio aprobado.
Depósito de combustible	Tipo de combustible incorrecto	Vacíe el depósito de combustible y llénelo con combustible correcto.
Bujía	La bujía está sucia o mojada.	Asegúrese de que la bujía esté limpia y seca.
	La distancia entre los electrodos de la bujía es incorrecta.	Limpie la bujía. Asegúrese de que la distancia entre los electrodos sea la correcta. Asegúrese de que la bujía está equipada con un supresor.
		Consulte <i>Datos técnicos en la página 39</i> para conocer la distancia correcta entre los electrodos.
	La bujía está floja.	Ajuste la bujía.

### El motor arranca, pero se detiene de nuevo.

Verificar	Causa posible	Procedimiento
Depósito de combustible	Tipo de combustible incorrecto	Vacíe el depósito de combustible y rellénelo con el combustible correcto.
Filtro de aire	El filtro de aire está obstruido.	Limpie el filtro de aire.

## Transporte y almacenamiento

- Siempre deje que el producto se enfríe antes de guardarlo.
- Para el almacenamiento y el transporte del producto y del combustible, asegúrese de que no haya fugas o vapores. Las chispas o llamas, por ejemplo, de dispositivos eléctricos o calderas, pueden iniciar un incendio.
- Siempre use contenedores aprobados para el almacenamiento y el transporte del combustible.
- Vacíe el combustible antes de un almacenamiento prolongado. Deseche el combustible en un lugar adecuado para tal propósito.
- Fije la protección para transportes durante el transporte y almacenamiento.
- Quite el sombrerete de bujía de la bujía.
- Fije el producto durante el transporte. Asegúrese de que no se mueva.
- Limpie y realice mantenimiento en el producto antes de almacenarlo durante un período prolongado.

## Datos técnicos

### Datos técnicos

	122C	122LK
<b>Motor</b>		
Cilindrada, cm <sup>3</sup> /pulg. cúb	1,32/21,7	1,32/21,7
Régimen de ralenti, rpm	2900	2900
Velocidad máxima recomendada, rpm	7200	9100
Velocidad de eje de salida, rpm	7200	6232
Potencia/alimentación máx. del motor, según la norma ISO 8893, kW/hp a rpm	0,6/0,8 a 7800	0,6/0,8 a 7800
Silenciador con catalizador	Sí	Sí
Sistema de encendido con velocidad regulada	No	No
Período de durabilidad de las emisiones según la Junta de Recursos del Aire de California, en horas.	50	50
<b>Sistema de encendido</b>		
Bujía	HQT-4 672201	HQT-4 672201
Distancia entre los electrodos, mm/pulg.	0,02/0,5	0,02/0,5
<b>Sistema de combustible</b>		
Capacidad del depósito de combustible, pinta EE. UU./l	0,63/0,3	0,63/0,3
<b>Peso</b>		
Peso sin combustible, equipo de corte y protección, lb/kg	9,7/4,4	10,6/4,8

	122C	122LK
<b>Emisiones sonoras<sup>4</sup></b>		
Nivel de potencia acústica, medido en dB(A)	102	104
Nivel de potencia acústica, L <sub>WA</sub> , dB(A) garantizada	104	108
<b>Niveles de ruido<sup>5</sup></b>		
Nivel de presión acústica equivalente en el oído del operador, medido según las normas EN ISO 11806 e ISO 22868, dB(A)	88	90
<b>Niveles de vibración<sup>6</sup></b>		
Nivel de vibración equivalente (a <sub>hv, eq</sub> ), equipado con cabezal de corte, mango izquierdo, m/s <sup>2</sup>	5,0	3,6
Nivel de vibración equivalente (a <sub>hv, eq</sub> ), equipado con cabezal de corte, mango derecho, m/s <sup>2</sup>	3,6	3,5

---

## Accesorios

---

### Accesorios

122C		
Accesorios aprobados	Tipo	Protección del equipo de corte
Eje roscado	3/8 R	–
Cabezal de corte	T25 (hilo de Ø 2 - 2,7 mm)	574 47 95-01
	T25C (hilo de Ø 2 - 2,7 mm)	574 47 95-01
122LK		
Accesorios aprobados	Tipo	Protección del equipo de corte
Eje roscado	M10	–
Cabezal de corte	T25 (hilo de Ø 2 - 2,7 mm)	574 19 87-01

Los siguientes accesorios están recomendados para los modelos especificados.

<sup>4</sup> Las emisiones sonoras en el medioambiente medidas como potencia acústica (L<sub>WA</sub>) en conformidad con la directiva CE 2000/14/CE. El nivel de potencia acústica registrado para el producto se midió con el equipo de corte original que proporciona el más alto nivel. La diferencia entre la potencia acústica garantizada y medida es que la potencia acústica garantizada también incluye la dispersión en el resultado de la medición y las variaciones entre los distintos productos del mismo modelo según la directiva 2000/14/CE.

<sup>5</sup> Los datos informados para el nivel de presión acústica equivalente del producto tienen una dispersión estadística típica (desviación estándar) de 1 dB (A).

<sup>6</sup> Los datos informados para nivel de vibración equivalente tienen una dispersión estadística típica (desviación estándar) de 1 m/s<sup>2</sup>.



<b>Accesorios aprobados</b>	<b>Número de artículo</b>	<b>Usar con</b>
Limpie el accesorio de barredora con el eje SR600	537 19 67-01	122LK
Accesorio de cortadora de setos con eje HA 850	537 19 66-06	122LK
Accesorio de rebordeadora con eje	537 19 69-01	122LK
Accesorio de sierra con eje PA 1100	537 18 33-16	122LK
Accesorio de sierra sin eje PA	537 18 33-11	122LK
Accesorio de cultivadora con eje CA 150	537 42 54-01	122LK
Accesorio de recortadora con eje TA 850	537 35 35-01	122LK
Accesorio de cultivadora con eje CAC	952 71 19-07	122LK
Accesorio de rebordeadora EAC	952 71 19-08	122LK
Accesorio de sierra de barra PAC	952 71 19-10	122LK
Accesorio de soplador BAC	952 71 19-11	122LK

---

## Garantía

---

### **DECLARACIÓN DE GARANTÍA DEL CONTROL DE EMISIONES DE VAPORES Y DE ESCAPE CONFORME A LA NORMATIVA DE CALIFORNIA, LA NORMATIVA FEDERAL DE LOS ESTADOS UNIDOS Y LA NORMATIVA DE CANADÁ**

#### **DERECHOS Y OBLIGACIONES DE LA GARANTÍA**

La Junta de Recursos del Aire de California (CARB, del inglés California Air Resources Board), la Agencia de Protección Medioambiental de EE. UU. (EPA, del inglés Environmental Protection Agency), el ministerio de Medioambiente y Cambio Climático de Canadá Husqvarna Professional Products, Inc. se complacen en profundizar sobre la garantía del sistema de control de emisiones de vapores y de escape ("emisiones") para 2020-2021 motores pequeños para todoterreno\*. En el estado de California, los nuevos equipos que utilizan motores pequeños para todoterreno se deben diseñar, construir y equipar conforme a las estrictas normas de control de emisiones contaminantes del Estado. Husqvarna Professional Products, Inc. debe proporcionar una garantía para el sistema de control de emisiones del motor pequeño para todoterreno por los períodos que se indican a continuación, siempre que no haya ningún abuso, negligencia ni mantenimiento incorrecto del motor pequeño para todoterreno o del equipo que pueda provocar la falla del sistema de control de emisiones. El sistema de control de emisiones puede incluir piezas como un carburador o un sistema de inyección de combustible, un sistema de encendido, un catalizador, depósitos de combustible, tuberías de combustible (para combustible líquido y vapores de combustible), tapones de combustible, válvulas, depósitos, filtros, abrazaderas y otros componentes asociados. Además, puede incluir mangueras, correas, conectores y otros montajes relacionados con las emisiones. Cuando exista una condición cubierta por la garantía, Husqvarna Professional Products, Inc. reparará el motor de pequeña cilindrada para todoterreno sin costo, incluido el diagnóstico, las piezas y la mano de obra.

#### **COBERTURA DE LA GARANTÍA DEL FABRICANTE**

El sistema de control de emisiones de vapores y de escape del motor pequeño para todoterreno tiene una garantía de dos años. Si alguna de las piezas del motor de pequeña cilindrada para todoterreno relacionada con las emisiones tiene una falla, Husqvarna Professional Products, Inc. reparará o reemplazará la pieza.

#### **RESPONSABILIDADES DE GARANTÍA DEL PROPIETARIO**

- Como propietario del motor pequeño para todoterreno, usted es responsable de la ejecución del mantenimiento necesario que se detalla en el manual del propietario. Husqvarna Professional Products, Inc. recomienda que conserve todos los recibos que cubran el mantenimiento del motor pequeño para todoterreno; sin embargo, Husqvarna Professional Products, Inc. no puede negar la cobertura de la garantía solo por la falta de recibos o porque no pueda garantizar la realización de todo el mantenimiento programado.
- No obstante, como propietario del motor de pequeña cilindrada para todoterreno debe saber que Husqvarna Professional Products, Inc. puede negar la cobertura de la garantía si dicho motor o una de sus piezas falló como resultado del abuso, negligencia o mantenimiento incorrecto, o modificaciones no aprobadas.
- Usted es responsable de llevar el motor de pequeña cilindrada para uso fuera de carretera a un concesionario de servicio Husqvarna Professional Products, Inc. autorizado lo antes posible en cuanto surja un problema. Las reparaciones bajo garantía se deben realizar dentro de un tiempo razonable que no supere los 30 días. Si tiene preguntas acerca de los derechos y las responsabilidades que implica esta garantía, debe comunicarse con Husqvarna Professional Products, Inc. en EE. UU. al 1-800-487-5951, en CANADÁ al 1-800-805-5523 o enviar un correo electrónico a [emissions@husqvarnagroup.com](mailto:emissions@husqvarnagroup.com) o [warranty@hpp-emissions.com](mailto:warranty@hpp-emissions.com).

#### **FECHA DE INICIO DE LA GARANTÍA**

El período de garantía comienza en el momento en que se entrega el motor o equipo al comprador final.

#### **EXTENSIÓN DE LA COBERTURA**

Husqvarna Professional Products, Inc. le garantiza al comprador final y a cualquier comprador posterior que el motor, así como el equipo, se diseñaron, construyeron y equiparon para que cumplan con las normativas pertinentes adoptadas por la CARB y la EPA, y que está libre de defectos en cuanto a materiales y mano de obra que causen la falla de una pieza cubierta por la garantía durante un período de dos años.

#### **ELEMENTOS CON COBERTURA**

**REPARACIÓN O REEMPLAZO DE PIEZAS:** La reparación o el reemplazo de cualquier pieza defectuosa en garantía se realizará sin cargo para el propietario en un taller de servicio autorizado. El propietario puede elegir el taller de reparación o una persona que realice los servicios de mantenimiento, reemplazo o reparación de los dispositivos y sistemas de control de emisiones, con excepción de las reparaciones y el reemplazo detallados en esta garantía de control de emisiones. Sin embargo, Husqvarna

Professional Products, Inc. recomienda que un taller de servicio autorizado de la marca realice todos los servicios de mantenimiento, reemplazo y reparación de los dispositivos y sistemas de control de emisiones.

**IMPORTANTE:** Este producto cumple con la normativa Fase 3 de la EPA (Environmental Protection Agency, Agencia de Protección Medioambiental) de EE. UU. referente a emisiones de escape y evaporación. Para garantizar el cumplimiento de la EPA Fase 3 de EE. UU. y con las regulaciones de la Junta de Recursos del Aire de California (California Air Resources Board) y del ministerio de Medioambiente y Cambio Climático de Canadá (Environment and Climate Change Canada), recomendamos utilizar únicamente piezas de repuesto originales de la marca del producto. El uso de piezas de repuesto que no cumplan con esta norma es una violación de las leyes federales y estatales.

**PERÍODO DE GARANTÍA:** Cualquier pieza cubierta por la garantía que no esté programada para reemplazo como mantenimiento necesario, o que esté programada solo para una inspección regular al efecto de "reparación o reemplazo según sea necesario", contará con una garantía de 2 años (o la duración establecida en la garantía del producto, lo que sea mayor) desde la fecha de compra del comprador original. Toda pieza que esté programada para su sustitución como parte del mantenimiento necesario estará garantizada por el período hasta la primera sustitución programada de la pieza. Cualquier pieza reparada o sustituida en conformidad con la garantía debe estar garantizada durante el lapso restante del período.

**DIAGNÓSTICO:** No se aplicarán tarifas por los trabajos de diagnóstico que lleven a determinar que una pieza bajo garantía se encuentra de hecho defectuosa, siempre y cuando dicho trabajo de diagnóstico se realice en un taller de servicio autorizado de la marca.

**OTROS DAÑOS:** Husqvarna Professional Products, Inc. reparará los daños a otros componentes del motor causados por la falla de una pieza garantizada que aún se encuentre cubierta por la garantía.

#### **LISTADO DE PIEZAS DE EMISIONES CUBIERTAS POR LA GARANTÍA**

1. Carburador y piezas de admisión o sistemas de inyección de combustible.
2. Filtro de aire y filtro de combustible, cubiertos hasta el programa de mantenimiento.
3. Bujía, cubierta hasta el programa de mantenimiento.
4. Módulo de ignición.
5. Silenciadores con catalizadores y colectores de escape.
6. Depósito de combustible, tuberías de combustible (para combustible líquido y vapores de combustible), tapón de combustible, depósito de carbono y válvulas de seguridad o antiderrame, según corresponda\*\*.
7. Controles electrónicos, y válvulas e interruptores susceptibles al tiempo, la temperatura y la succión.
8. Mangueras, conectores y montajes.

9. Todos los otros componentes cuya falla aumentaría las emisiones de vapores y de escape del motor de cualquier contaminante reglamentado, como se establece en la siguiente sección:

- En el caso del estado de California, consulte el California Code of Regulation (Código de Regulaciones de California) 13 CCR §2405(d) y 2760(d).
- Para los Estados Unidos y Canadá, consulte el US Federal Code of Regulations (Código de disposiciones federales de los Estados Unidos), 40 C.F.R 1068, Anexo I (III).

#### **ELEMENTOS SIN COBERTURA**

Las fallas causadas por abuso, negligencia, modificaciones no aprobadas, mal uso o mantenimiento incorrecto no están cubiertas por la garantía.

**AÑADIDURAS O PIEZAS MODIFICADAS:** No pueden utilizarse las añadiduras o piezas modificadas no exentas por la CARB o la EPA. La utilización de añadiduras o de piezas modificadas no exentas podrá servir de fundamento para anular una reclamación de garantía. Husqvarna Professional Products, Inc. no será responsable de las fallas de garantía de las piezas garantizadas provocadas por el uso de complementos o piezas modificadas no exentos.

#### **CÓMO PRESENTAR UNA RECLAMACIÓN**

Si tiene preguntas relacionadas con sus derechos y responsabilidades de la garantía, deberá comunicarse con su concesionario de servicio autorizado más cercano o llamar a Husqvarna Professional Products, Inc. en EE. UU. al 1-800-487-5951, en CANADÁ al 1-800-805-5523 o enviar un correo electrónico a [emissions@husqvarnagroup.com](mailto:emissions@husqvarnagroup.com) o [warranty@hpp-emissions.com](mailto:warranty@hpp-emissions.com).

#### **DÓNDE OBTENER SERVICIOS DE LA GARANTÍA**

Las reparaciones o los servicios de la garantía se brindan a través de todos los talleres de servicio autorizados de Husqvarna Professional Products, Inc.. Si el taller de servicio autorizado más cercano se encuentra a más de 160 kilómetros (100 millas) de su ubicación, Husqvarna Professional Products, Inc. se encargará de organizar y pagar los costos de envío al taller de servicio autorizado de la marca, y desde este, o dispondrá un servicio de garantía en conformidad con las normativas correspondientes.

#### **MANTENIMIENTO, REEMPLAZO Y REPARACIÓN DE PIEZAS RELACIONADAS CON EL CONTROL DE EMISIONES**

Cualquier pieza para sustituir una defectuosa puede utilizarse en cualquier mantenimiento o reparación bajo garantía y deben proporcionarse al propietario sin cargo. Dicho uso no reducirá las obligaciones de la garantía por parte del fabricante.

#### **DECLARACIÓN DE MANTENIMIENTO**

El propietario es responsable de la realización de todo el mantenimiento requerido, según se establece en el manual del propietario.

\* El año del modelo actual y subsiguiente se actualizará anualmente en la declaración de garantía proporcionada al consumidor. Por ejemplo, en el año del modelo 2012, se especificará 2012-2013.

\*\* Piezas de emisiones evaporativas.

## Table des matières

Introduction.....	45	Dépannage.....	61
Sécurité.....	47	Transport et entreposage.....	62
Montage.....	52	Données techniques.....	62
Fonctionnement.....	54	Accessoires.....	63
Entretien.....	58	Garantie.....	65

## Introduction

### Description du produit

Le produit est un coupe-herbe avec moteur à combustion.

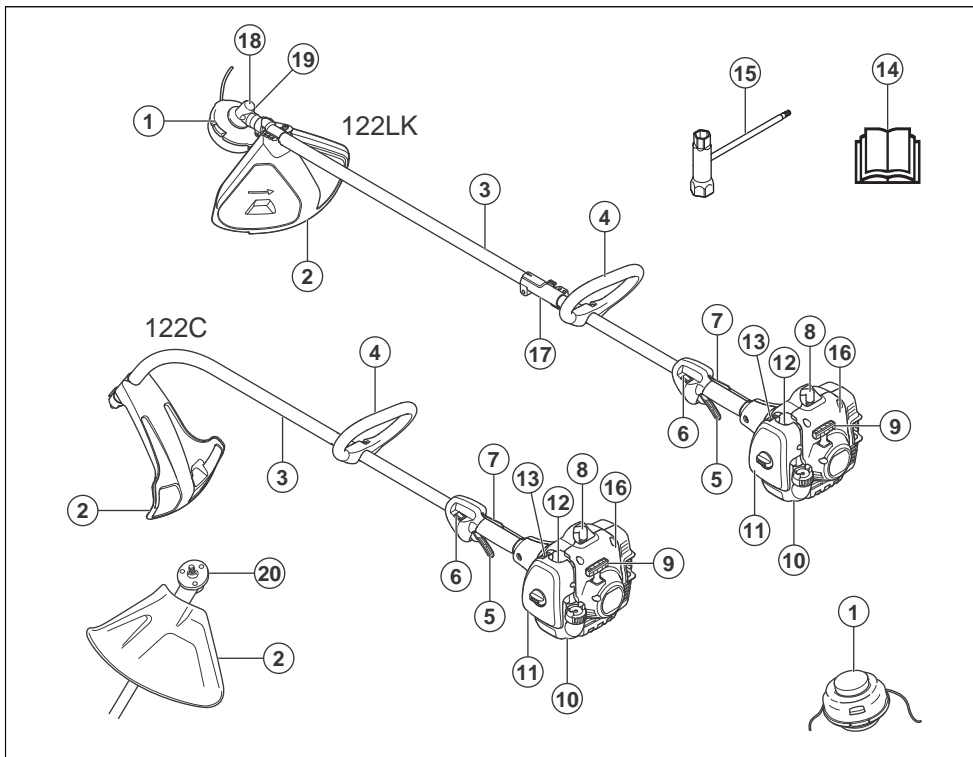
Le travail est constamment en cours pour augmenter votre sécurité et l'efficacité pendant l'utilisation. Pour obtenir de plus amples renseignements, communiquer avec votre centre de services.

### Utilisation prévue

Le produit est utilisé avec une tête de coupe pour couper l'herbe. Ne pas utiliser le produit pour des tâches autres que la coupe d'herbe.

**Remarque :** Les réglementations nationales peuvent limiter l'utilisation du produit.

### Présentation de l'appareil



1. Tête de coupe

2. Dispositif de protection de l'outil de coupe

3. Arbre
4. Poignée de boucle
5. Commande des gaz
6. Interrupteur d'arrêt
7. Dispositif de verrouillage de la gâchette de l'accélérateur
8. Capuchon de bougie et bougie d'allumage
9. Corde du lanceur
10. Réservoir de carburant
11. Couvercle du filtre à air
12. Pompe de purge d'air
13. Commande de l'étrangleur
14. Manuel d'utilisation
15. Clé à usages multiples
16. Boîtier du lanceur
17. Raccord de l'arbre
18. Pignon conique
19. Bouchon de remplissage de graisse, pignon conique
20. Disque d'entraînement

## Symboles figurant sur le produit



**AVERTISSEMENT!** Ce produit est dangereux. L'opérateur ou les personnes à proximité peuvent subir des blessures graves voire mortelles, si le produit n'est pas utilisé correctement et avec précaution. Pour éviter des blessures à l'opérateur ou aux personnes à proximité, lire et respecter toutes les consignes de sécurité contenues dans le manuel d'utilisation.



Avant d'utiliser la tondeuse, lire attentivement le manuel d'utilisation et veiller à bien comprendre les directives.



Utiliser un casque de protection dans les endroits où des objets peuvent tomber sur vous. Utiliser un dispositif de protection homologué pour les oreilles. Utiliser un dispositif de protection homologué pour les yeux.



max rpm Vitesse de rotation maximale de l'arbre de sortie.



L'outil est conforme aux directives européennes en vigueur.



L'appareil peut projeter des objets, ce qui peut causer des blessures.



Tenir les personnes et les animaux à une distance minimale de quinze mètres pendant l'utilisation de l'appareil.



Utiliser des gants de protection homologués.



Utiliser des bottes antidérapantes robustes.



Utiliser seulement du fil de coupe flexible. Ne pas utiliser d'équipement de coupe en métal.



Émissions sonores dans l'environnement conformes aux directives de la Communauté européenne. Les émissions produites par l'outil sont indiquées dans le chapitre portant sur les caractéristiques techniques et sur la plaque signalétique.



Pompe à carburant.



Volet de départ.

yyyywwxxxx

La plaque signalétique indique le numéro de série. **yyyy** représente l'année de production, **ww** indique la semaine de production.

**Remarque :** Les autres symboles/autocollants présents sur l'outil renvoient aux exigences en matière de certification pour d'autres zones commerciales.

## EPA III



La période de conformité aux réglementations antipollution de l'autocollant de conformité d'émissions indique le nombre nominal d'heures de fonctionnement du moteur conformément aux réglementations du gouvernement fédéral américain et de la Californie.

## Proposition 65 de la Californie

 **ATTENTION!**

Les émissions du moteur de cet outil contiennent des produits chimiques qui, d'après l'État de Californie, peuvent causer le cancer, des malformations congénitales ou autre danger pour la reproduction

## Service à la clientèle

Pour joindre le service à la clientèle, appelez le :  
1-800-487-5951 ou visitez le site [www.husqvarna.com](http://www.husqvarna.com).

## Responsabilité concernant le produit

Comme indiqué dans les lois en vigueur sur la responsabilité concernant les produits, nous ne serons pas tenus responsables des dommages que notre produit causerait dans les situations suivantes :

- Le produit n'est pas réparé de façon adéquate.
- Le produit est réparé avec des pièces qui ne sont pas fournies ou homologuées par le fabricant.
- Le produit comprend un accessoire qui n'est pas fourni ou homologué par le fabricant.
- Le produit n'est pas réparé par un centre de service après-vente agréé ou par une autorité homologuée.

---

## Sécurité

---

### Définitions relatives à la sécurité

Les avertissements, recommandations et remarques soulignent des points du manuel qui revêtent une importance particulière.



**AVERTISSEMENT:** Indique la présence d'un risque de blessure ou de décès de l'utilisateur ou de personnes à proximité si les instructions du manuel ne sont pas suivies.



**MISE EN GARDE :** Indique la présence d'un risque de dommages au produit, à d'autres appareils ou à la zone adjacente si les instructions du manuel ne sont pas suivies.

**Remarque :** Utilisé pour donner des renseignements plus détaillés qui sont nécessaires dans une situation donnée.

### Consignes générales de sécurité



**AVERTISSEMENT:** Lire les messages d'avertissement qui suivent avant d'utiliser l'outil.

- Utiliser l'outil correctement. Des blessures graves ou mortelles peuvent résulter d'une utilisation non adéquate. Utiliser l'outil seulement pour les tâches décrites dans le présent manuel. Ne pas utiliser cet outil pour d'autres tâches.
- Suivre les instructions de ce manuel. Respecter les symboles et les instructions de sécurité. Si l'opérateur ne respecte pas les instructions et les symboles, il pourrait en résulter des blessures, des dommages ou la mort.
- Ne pas jeter ce manuel. Utiliser les instructions pour assembler l'outil, le faire fonctionner et le conserver en bon état. Suivre les instructions pour l'installation correcte des équipements et accessoires. Utiliser uniquement des pièces et accessoires homologués.
- Ne pas utiliser l'outil s'il est endommagé. Respecter le calendrier d'entretien. N'effectuer que les travaux d'entretien prescrits dans ce manuel. Un centre agréé doit effectuer tous les autres travaux d'entretien.
- Ce manuel ne décrit pas toutes les situations qui peuvent se produire lorsqu'on utilise l'outil. Rester prudent et faire preuve de bon sens. Ne pas faire fonctionner l'outil ni effectuer un entretien sur l'outil si vous n'êtes pas sûr de la situation. Pour obtenir plus d'information, s'adresser à un spécialiste de l'outil, à votre revendeur, à un atelier de réparation ou à un centre de service après-vente agréé.
- Débrancher le câble d'allumage avant d'installer, de stocker ou de procéder à l'entretien de l'outil.
- Ne pas utiliser l'outil si des modifications contraires à ses caractéristiques initiales y ont été apportées. Ne pas modifier une partie de l'outil sans l'approbation du fabricant. Utiliser seulement des pièces approuvées par le fabricant. Des blessures graves ou mortelles peuvent résulter d'un entretien non adéquat.
- Ne pas respirer les vapeurs du moteur. L'inhalation à long terme des produits d'échappement du moteur représente un danger pour la santé.
- Ne pas démarrer l'outil dans un local clos ou à proximité de matériaux inflammables. Les gaz d'échappement sont très chauds et peuvent contenir des étincelles qui peuvent causer un incendie. Un débit d'air insuffisant peut entraîner des blessures ou la mort en raison d'une asphyxie ou du monoxyde de carbone.

- Lors de l'utilisation de ce produit, le moteur génère un champ électromagnétique. Le champ électromagnétique peut endommager les implants médicaux. Parler à votre médecin et au fabricant de l'implant avant d'utiliser l'outil.
- Ne pas laisser un enfant utiliser l'outil. Ne laisser personne utiliser la machine sans connaître les instructions.
- S'assurer de toujours surveiller les personnes avec des capacités physiques ou mentales réduites qui utilisent le produit. Un adulte responsable doit être présent à tout moment.
- Enfermer le produit dans un endroit verrouillé auquel les enfants et les personnes non autorisées ne peuvent pas accéder.
- Le produit peut projeter des objets et causer des blessures. Respecter les consignes de sécurité afin de réduire le risque de blessures graves ou mortelles.
- Ne pas s'éloigner de l'outil lorsque le moteur est sous tension.
- Tout accident avec cet outil engage la responsabilité de l'opérateur.
- Avant d'utiliser l'outil, vérifier que les pièces ne sont pas endommagées.
- S'assurer d'être à au moins 15 m (50 pi) d'autres personnes ou d'animaux avant d'utiliser le produit. S'assurer que toutes les personnes dans les environs immédiats sont informés que vous allez utiliser le produit.
- Consulter les lois nationales ou locales. Elles peuvent interdire ou limiter l'utilisation de l'outil dans certaines conditions.
- Ne pas utiliser le produit en cas de fatigue ou sous l'emprise de l'alcool, de drogues ou de médicaments. Ils peuvent avoir des effets indésirables sur votre vision, votre attention, votre coordination des gestes ou votre jugement.

## Consignes de sécurité pour l'assemblage



**AVERTISSEMENT:** Lire les messages d'avertissement qui suivent avant d'utiliser l'appareil.

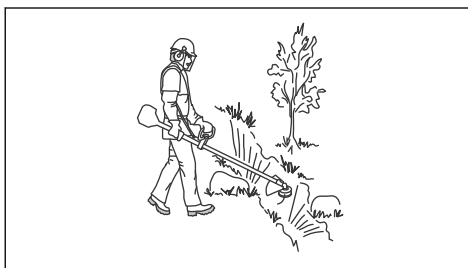
- Débrancher le chapeau de bougie de la bougie d'allumage avant d'assembler le produit.
- Utiliser des gants de protection homologués.
- S'assurer d'assembler adéquatement le couvercle et l'arbre avant de démarrer le moteur.

## Consignes de sécurité pour l'utilisation

- Vérifier que le produit est livré assemblé avant de l'utiliser.
- Avant de commencer, déplacer le produit à 3 m (10 pi) de l'endroit où l'appoint de carburant a été effectué. Placer le produit sur une surface plane.

Vérifier que l'outil de coupe ne touche pas le sol ou tout autre objet.

- Le produit peut causer des projections d'objets, ce qui peut causer des dommages aux yeux. Toujours utiliser un dispositif de protection homologué pour les yeux lorsqu'on utilise le produit.
- Si un enfant se trouve à proximité, faire preuve de prudence lors de l'utilisation du produit.
- Ne pas faire fonctionner l'outil s'il y a des personnes dans la zone de travail. Arrêter l'outil si une personne passe dans la zone de travail.
- Vérifier qu'on garde toujours le contrôle du produit.
- Ne pas utiliser ce produit si on ne peut pas recevoir de l'aide en cas d'accident. Toujours vérifier que d'autres personnes savent qu'on va utiliser le produit avant de commencer à le faire.
- Ne pas tourner avec le produit sans s'assurer qu'aucune personne ni aucun animal ne se trouvent dans la zone de sécurité.
- Retirer tous les matériaux indésirables de la zone de travail avant de commencer. Si l'outil de coupe heurte un objet, celui-ci peut être projeté et engendrer des blessures ou des dommages. Des matériaux indésirables peuvent s'enrouler autour de l'outil de coupe et causer des dommages.
- Ne pas utiliser ce produit par mauvais temps (brouillard, pluie, vent violent, risque d'éclair ou autres conditions climatiques défavorables). Les conditions de travail peuvent devenir dangereuses (tels que les surfaces glissantes) à cause des intempéries.
- S'assurer qu'on peut se déplacer librement et travailler dans une position stable.



- Vérifier qu'il n'y a pas de risque de chute lors de l'utilisation l'outil. Ne pas incliner l'outil lors de son utilisation.



- Toujours tenir l'outil des deux mains. Tenir l'outil sur le côté droit du corps.



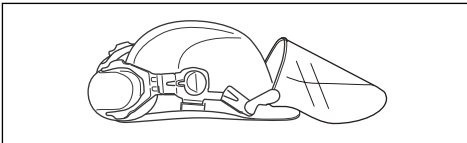
- Utiliser le produit en plaçant l'outil de coupe sous la taille.
- Si la commande d'étrangleur se trouve à la position de démarrage quand le moteur démarre, l'outil de coupe commence à tourner.
- Ne pas toucher le pignon conique après l'arrêt du moteur. Le pignon conique est chaud après l'arrêt du moteur. Les points chauds peuvent causer des blessures.
- Arrêter le moteur avant de déplacer le produit.
- Ne pas déposer le produit alors que le moteur est en marche.
- Avant de retirer les matériaux indésirables du produit, arrêter le moteur et attendre jusqu'à l'arrêt de l'outil de coupe. Laisser l'outil de coupe s'arrêter avant de retirer ou de faire retirer le matériau végétal.

### Équipement de protection personnelle



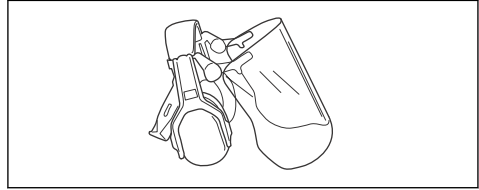
**AVERTISSEMENT:** Lire les messages d'avertissement qui suivent avant d'utiliser l'appareil.

- Toujours utiliser un équipement de protection personnelle homologué lors de l'utilisation de l'appareil. Cet équipement de protection personnelle n'élimine pas complètement les risques de blessures, mais il peut en réduire la gravité en cas d'accident. Laisser le concessionnaire vous aider à sélectionner l'équipement adéquat.
- Porter un casque de protection en cas de risque de chute d'objets.

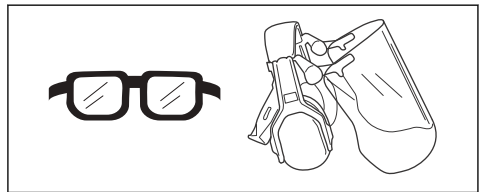


- Porter un dispositif de protection pour les oreilles homologué qui procure une réduction adéquate du

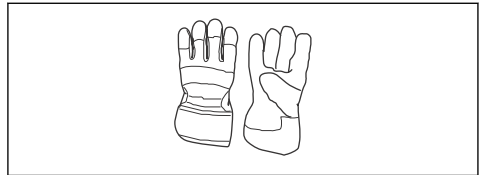
bruit. L'exposition prolongée au bruit peut causer des lésions auditives permanentes.



- Utiliser un dispositif de protection homologué pour les yeux. Porter également des lunettes de protection homologuées en cas d'utilisation d'une visière. Les lunettes de protection homologuées doivent être conformes à la norme ANSI Z87.1 aux États-Unis ou à la norme EN 166 dans les pays de l'Union européenne.



- Utiliser des gants au besoin, par exemple lors de la fixation, de l'examen ou du nettoyage de l'outil de coupe.

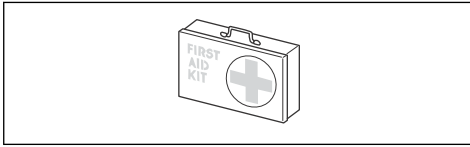


- Porter des bottes antidérapantes robustes.



- Utiliser des vêtements faits de tissus résistants. Toujours utiliser des pantalons longs et lourds et des manches longues. Ne pas porter des vêtements amples qui peuvent se prendre dans les broussailles et les branches. Ne pas porter des bijoux, des pantalons courts, des sandales et ne pas marcher pieds nus. Garder les cheveux au-dessus des épaules.

- Garder une trousse de premiers soins à portée de main.



### Dispositifs de sécurité sur l'outil

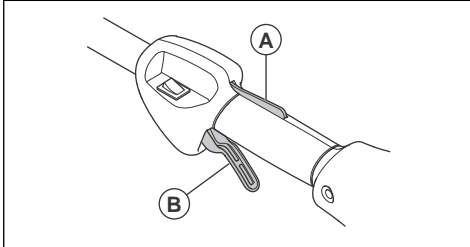


**AVERTISSEMENT:** Lire les messages d'avertissement qui suivent avant d'utiliser l'outil.

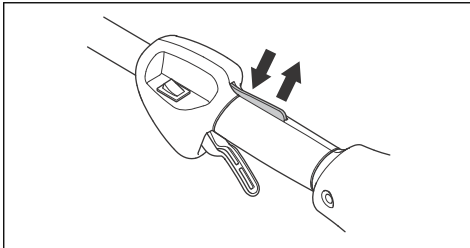
- Ne pas utiliser un outil dont les dispositifs de protection sont défectueux.
- Vérifier régulièrement les dispositifs de sécurité. Reportez-vous à *Calendrier d'entretien* à la page 58.
- Si les dispositifs de sécurité sont défectueux, communiquer avec votre centre de services Husqvarna

#### Pour vérifier le verrouillage de la gâchette de l'accélérateur

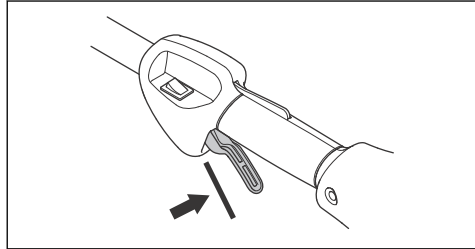
1. Vérifier que le dispositif de verrouillage de la gâchette de l'accélérateur et la gâchette d'accélération bougent librement et que le ressort de retour fonctionne correctement.



2. Appuyer sur le dispositif de verrouillage de la gâchette et s'assurer qu'il retourne à sa position initiale lorsqu'on le relâche.



3. S'assurer que la gâchette de l'accélérateur est verrouillée en position de ralenti lorsque le dispositif de verrouillage de la gâchette de l'accélérateur est relâché.



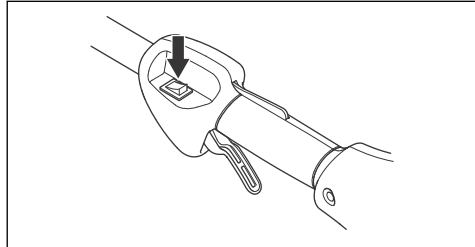
4. Démarrer le produit et le lancer à plein régime.
5. Relâcher la gâchette de l'accélérateur et s'assurer que la lame s'arrête et s'immobilise.



**AVERTISSEMENT:** Si les lames tournent lorsque la gâchette d'accélération se trouve à la position de ralenti, le régime de ralenti du carburateur doit être réglé. Se reporter à la section *Réglage du régime de ralenti* à la page 59.

#### Pour vérifier l'interrupteur d'arrêt

1. Démarrer le moteur.
2. Déplacer l'interrupteur d'arrêt en position d'arrêt et s'assurer que le moteur s'arrête.

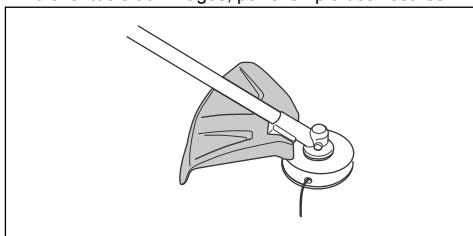


#### Pour vérifier le dispositif de protection de l'outil de coupe

Le dispositif de protection de l'outil de coupe arrête les objets projetés en direction de l'opérateur. Il empêche également de subir des blessures en cas de contact avec l'outil de coupe.

1. Couper le moteur.

2. Effectuer une inspection visuelle pour détecter d'éventuels dommages, par exemple des fissures.



3. Remplacer le dispositif de protection de l'outil de coupe s'il est endommagé.

### Silencieux

- Ne pas utiliser un moteur dont le silencieux est endommagé. Un silencieux endommagé augmente le niveau sonore et le risque d'incendie. Garder un extincteur à proximité.
- S'assurer régulièrement que le silencieux est fixé sur le produit.
- Ne pas toucher le moteur ou le silencieux alors que le moteur est sous tension. Ne pas toucher le moteur ou le silencieux pendant un moment après l'arrêt du moteur. Les surfaces chaudes peuvent causer des blessures.
- Un silencieux chaud peut causer un incendie. Rester prudent lorsqu'on utilise le produit à proximité de liquides ou de vapeurs inflammables.
- Ne pas toucher les pièces du silencieux si celui-ci est endommagé. Les pièces peuvent contenir des produits chimiques cancérigènes.

### Outil de coupe



**AVERTISSEMENT:** Lire les messages d'avertissement qui suivent avant d'utiliser l'appareil.

- Effectuer l'entretien de routine. Communiquer avec un centre agréé pour examiner régulièrement l'outil de coupe et effectuer les réglages et les réparations.
  - Cette précaution augmente les performances de l'outil de coupe.
  - Cette précaution augmente la durée de vie de l'outil de coupe.
  - Cette précaution réduit le risque d'accident.
- Utiliser seulement un dispositif de protection d'outil de coupe homologué. Se reporter à la section *Accessoires à la page 63*.
- Ne pas utiliser un équipement de coupe endommagé.

### Sécurité – carburant



**AVERTISSEMENT:** Lire les messages d'avertissement qui suivent avant d'utiliser l'outil.

- Ne pas mélanger le carburant à l'intérieur ou à proximité d'une source de chaleur.
- Ne pas démarrer l'outil s'il y a du carburant ou de l'huile moteur sur l'outil. Nettoyer le carburant ou l'huile et laisser sécher l'outil. Nettoyer tout carburant qui souille l'outil.
- Si du carburant se déverse sur les vêtements, changer immédiatement de vêtement.
- Ne pas déverser du carburant sur le corps; cela pourrait causer des blessures. Si du carburant se déverse sur le corps, se nettoyer au savon doux et à l'eau.
- Ne pas démarrer le moteur si de l'huile ou du carburant se renverse sur l'outil ou sur le corps.
- Ne pas démarrer l'outil si le moteur présente une fuite. Vérifier régulièrement le moteur à la recherche de fuites.
- Faire preuve de prudence lors de la manipulation du carburant. Celui-ci est inflammable et ses vapeurs sont explosives et peuvent causer des blessures ou la mort.
- Ne pas respirer les vapeurs de carburant, car elles peuvent causer des blessures. S'assurer que la ventilation est suffisante.
- Ne pas fumer à proximité du carburant ou du moteur.
- Ne pas placer des objets chauds à proximité du carburant ou du moteur.
- Ne pas faire le plein de carburant lorsque le moteur tourne.
- Vérifier que le moteur est froid avant de faire le plein.
- Avant de faire le plein, ouvrir lentement le couvercle du réservoir de carburant et relâcher la pression avec précaution.
- S'assurer que le débit d'air est suffisant lors du ravitaillement et du mélange de carburant (essence et huile deux temps) ou lors de la vidange du réservoir de carburant.
- Le carburant et les vapeurs de carburant sont extrêmement inflammables et peuvent causer des blessures très graves en cas d'inhalation ou de contact avec la peau. Pour cette raison, faire preuve de prudence lors de la manipulation du carburant et s'assurer que le débit d'air est suffisant.
- Serrer le couvercle du réservoir de carburant avec précaution, car un feu pourrait se déclencher.
- Avant de démarrer l'outil, le déplacer à au moins 3 m (10 pi) de la position où le plein de carburant a été fait.
- Ne pas mettre trop de carburant dans le réservoir de carburant.

- Vérifier qu'une fuite ne peut se produire lorsqu'on déplace l'outil ou le bidon d'essence.
- Ne pas placer l'outil ou un bidon d'essence dans un espace où il y a une flamme nue, des étincelles ou une veilleuse. Vérifier que la zone de stockage ne contient pas de flamme nue.
- Utiliser seulement des conteneurs agréés pour transporter ou stocker le carburant.
- Vider le réservoir de carburant avant de le remiser pour une période prolongée. Toujours respecter la législation locale sur la façon de mettre le carburant au rebut.
- Nettoyer l'outil avant de le remiser pour une période prolongée.
- Débrancher le chapeau de bougie avant de remiser le produit, pour que le moteur ne démarre pas par inadvertance.

## Consignes de sécurité pour la maintenance



**AVERTISSEMENT:** Lire les messages d'avertissement qui suivent avant d'utiliser l'outil.

- Arrêter le moteur, s'assurer que l'équipement de coupe s'arrête et laisser le produit refroidir avant de faire l'entretien.
- Débrancher la bougie d'allumage avant de procéder à l'entretien.
- Les gaz d'échappement du moteur contiennent du monoxyde de carbone, un gaz inodore, toxique et

très dangereux qui peut causer la mort. Ne pas démarrer le produit à l'intérieur ou dans des espaces fermés.

- Les gaz d'échappement du moteur sont chauds et peuvent contenir des étincelles. Ne pas démarrer l'outil dans un local clos ou à proximité de matériaux inflammables.
- Les accessoires et les modifications apportées au produit qui ne sont pas approuvés par le fabricant peuvent causer des blessures graves, voire mortelles. Ne pas modifier l'outil. Utilisez toujours des accessoires d'origine.
- Si l'entretien n'est pas effectué correctement et régulièrement, le risque de blessures et de dommages à l'outil augmente.
- N'effectuer que les travaux d'entretien recommandés dans ce manuel d'utilisation. Laisser un agent d'entretien agréé Husqvarna effectuer toutes les autres opérations d'entretien.
- Demander régulièrement à un agent d'entretien agréé Husqvarna d'effectuer l'entretien de l'outil.
- Remplacer les pièces endommagées, usées ou brisées.
- Reportez-vous aux instructions relatives à l'équipement de coupe afin de connaître la procédure adéquate pour l'installation du fil du coupe-herbe et le diamètre de fil approprié.
- Garder les dents de la lame correctement affûtées. Toujours respecter nos recommandations. Voir aussi les instructions sur l'emballage de la lame.

## Montage

### Introduction



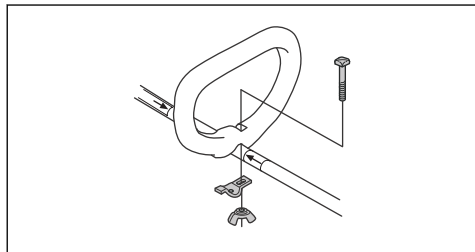
**AVERTISSEMENT:** Avant d'assembler le produit, lire et bien comprendre le chapitre sur la sécurité.



**AVERTISSEMENT:** Débrancher le câble de la bougie d'allumage de la bougie d'allumage avant d'assembler le produit.

### Montage du guidon en boucle

1. Fixer le guidon en boucle sur l'arbre selon l'illustration et serrer.

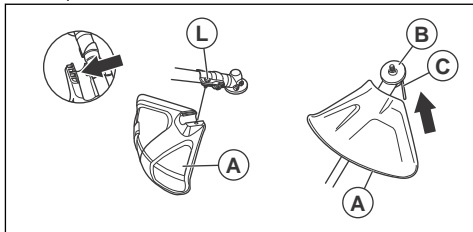


2. Vérifier que le guidon en boucle se fixe entre les flèches dessinées sur l'arbre.

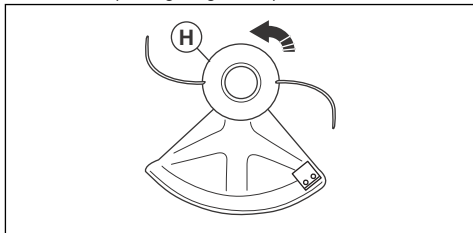
### Montage du dispositif de protection de l'outil de coupe et de la tête de coupe (arbre droit)

1. Fixer le dispositif de protection de l'outil de coupe (A) sur l'arbre au moyen de la vis (L).

2. Fixer le disque d'entraînement (B) sur l'arbre de sortie.
3. Tourner l'arbre de sortie jusqu'à ce que le trou dans le disque d'entraînement s'aligne avec le trou situé dans le carter d'engrenage.
4. Placer un petit tournevis (C) dans le trou pour bloquer l'arbre.

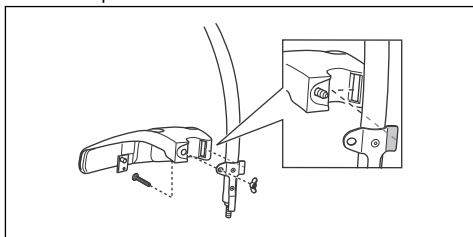


5. Tourner la tête du coupe-herbe (H) dans le sens antihoraire pour serrer la tête de coupe à la boîte de vitesses. (Filetage à gauche.)

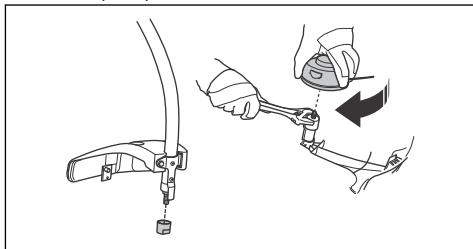


### Montage du dispositif de protection de l'outil de coupe et de la tête de coupe (arbre courbé)

1. Fixer la protection. Serrer l'écrou.



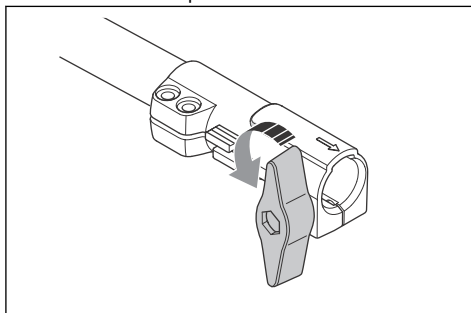
2. Fixer le pare-poussière sur l'arbre.



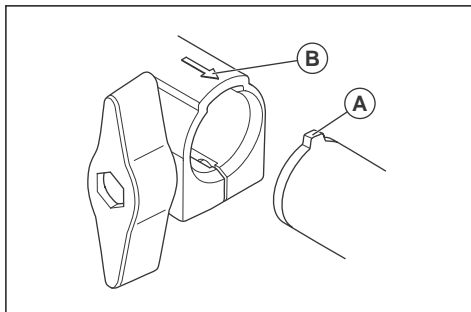
3. Maintenir le pare-poussière en place au moyen d'une clé réglable pour s'assurer que l'arbre ne tourne pas.
4. Fixer la tête de coupe sur l'arbre. Tourner la tête de coupe dans le sens des aiguilles d'une montre.

### Assemblage de l'arbre démontable

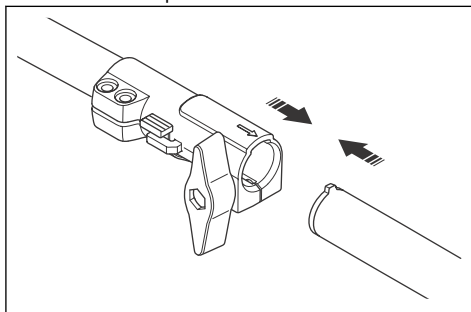
1. Tourner le bouton pour desserrer le raccord.



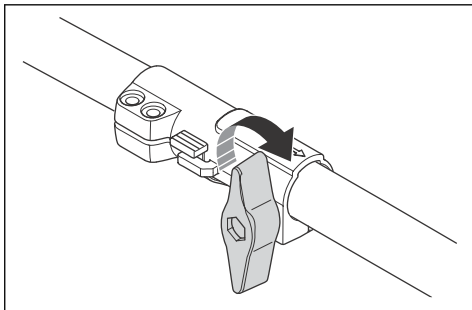
2. Aligner la languette (A) avec la flèche (B) sur le raccord.



3. Enfoncer l'arbre dans le raccord jusqu'à ce qu'il s'enclenche en position.

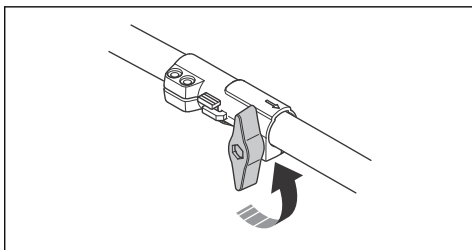


4. Serrer le bouton à fond.



### Pour démonter l'arbre en deux pièces

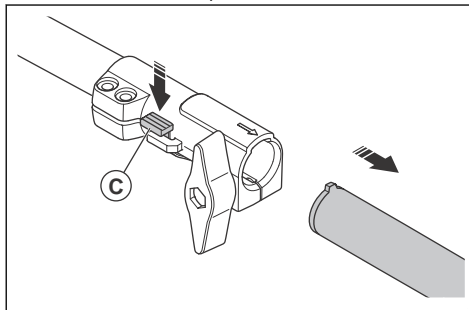
1. Tourner le bouton de 3 tours ou plus pour desserrer le raccord.



2. Appuyer longuement sur le bouton (C).

3. Tenir fermement à l'extrémité de l'arbre rattachée au moteur.

4. Tirer l'outil bien droit pour l'extraire du raccord.



## Fonctionnement

### Introduction



**AVERTISSEMENT:** Avant d'utiliser le produit, lire et bien comprendre le chapitre sur la sécurité.

### Carburant

Cet outil est équipé d'un moteur à deux-temps.



**MISE EN GARDE :** Un type de carburant inapproprié peut endommager le moteur. Utiliser un mélange d'essence et d'huile pour moteur à deux-temps.

### Carburant prémélangé

- Utiliser du carburant alkylat prémélangé Husqvarna, pour atteindre une performance optimale et un prolonger la durée de vie du moteur. Ce carburant contient moins de substances chimiques nocives par rapport à un carburant régulier, ce qui réduit les gaz d'échappement nocifs. La quantité de dépôts après combustion est inférieure avec ce carburant, ce qui maintient les composants du moteur plus propres.

### Pour mélanger le carburant

#### Essence

- Utiliser de l'essence sans plomb de bonne qualité contenant au maximum 10 % d'éthanol.



**MISE EN GARDE :** Ne pas utiliser d'essence à indice d'octane inférieur à 90 RON (87 AKI). L'utilisation d'un indice d'octane inférieur peut entraîner le cognement du moteur, ce qui provoque des dommages au moteur.

#### Huile à moteur deux temps

- Pour obtenir un meilleur résultat et un fonctionnement optimal, utiliser l'huile pour moteur à deux-temps Husqvarna.
- Si l'huile pour moteur à deux temps Husqvarna n'est pas disponible, utiliser une huile pour moteur à deux temps de bonne qualité destinée aux moteurs refroidis à l'air. Communiquer avec votre centre de services pour sélectionner l'huile appropriée.



**MISE EN GARDE :** Ne pas utiliser l'huile pour moteur à deux temps dans des moteurs hors-bord refroidis à l'eau,

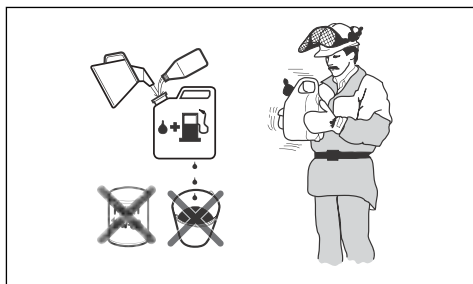
également appelée huile pour moteur hors-bord. Ne pas utiliser l'huile pour des moteurs à quatre temps.

### Pour mélanger l'essence et l'huile pour moteur à deux temps

Essence, litre	Huile pour moteur à deux temps, litre
	<b>2 % (50:1)</b>
5	0,10
10	0,20
15	0,30
20	0,40
gallon US	once liquide US
1	2 ½
2 1/2	6 ½
5	12 ¾



**MISE EN GARDE :** De petites erreurs peuvent influencer considérablement le ratio de mélange lors du mélange de petites quantités de carburant. Mesurer soigneusement la quantité d'huile et s'assurer d'obtenir le mélange approprié.



1. Remplir la moitié de la quantité d'essence dans un récipient propre destiné à contenir du carburant.
2. Ajouter la quantité totale d'huile.
3. Agiter le mélange de carburant.
4. Ajouter la quantité restante d'essence dans un récipient.
5. Agiter avec précaution le mélange de carburant.



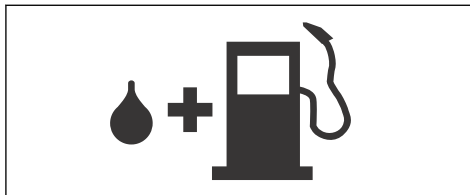
**MISE EN GARDE :** Ne pas mélanger le carburant pendant plus de 1 mois à la fois.

### Remplissage du réservoir de carburant



**AVERTISSEMENT :** Respecter la procédure suivante pour assurer la sécurité.

1. Couper le moteur et le laisser refroidir.
2. Nettoyer la zone autour du bouchon du réservoir de carburant.



3. Secouer le bidon et s'assurer que le carburant est complètement mélangé.
4. Retirer le bouchon du réservoir de carburant lentement pour libérer la pression.
5. Remplir le réservoir de carburant.



**MISE EN GARDE :** S'assurer qu'il n'y a pas trop de carburant dans le réservoir. Le carburant se dilate lorsqu'il devient chaud.

6. Serrer fermement le bouchon du réservoir de carburant.
7. Nettoyer le déversement de carburant sur le produit et autour de celui-ci.
8. Éloigner le produit de 3 m (10 pi) ou plus de la zone de remplissage et de la source de carburant avant de démarrer.

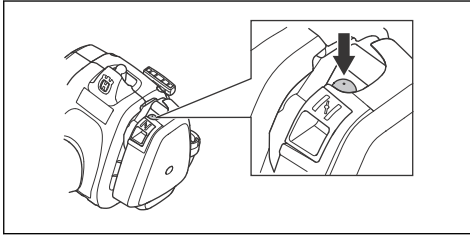
**Remarque :** Pour connaître l'emplacement du réservoir de carburant sur votre machine, se reporter à *Présentation de l'appareil à la page 45*.

### Vérification avant le démarrage

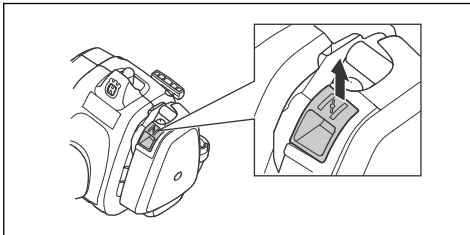
1. S'assurer qu'aucune pièce du produit n'est manquante, endommagée, desserrée ou usée.
2. S'assurer que les écrous, les vis et les boulons sont serrés.
3. S'assurer que la tête de désherbage n'est pas endommagée.
4. Vérifier que le filtre à air n'est pas bouché.
5. S'assurer que les dispositifs de sécurité du produit ne sont pas défectueux.
6. S'assurer que le produit ne présente aucune fuite de carburant.

## Démarrage d'un moteur froid

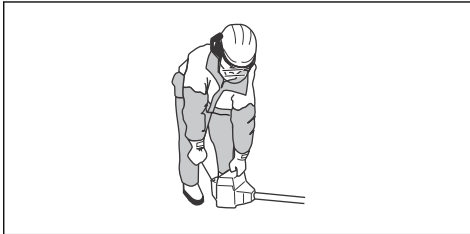
1. Appuyer 10 fois sur la pompe à carburant.



2. Mettre le starter à la position du starter.



3. Maintenir l'outil sur le sol à l'aide de la main gauche.



**MISE EN GARDE :** Ne pas marcher sur l'outil.

4. Tirer lentement la poignée du câble du lanceur avec la main droite jusqu'à rencontrer une résistance. Tirer ensuite rapidement sur la poignée du câble du lanceur jusqu'à ce que le moteur démarre ou tente de démarrer.



**AVERTISSEMENT:** Ne pas enrouler la corde du lanceur autour de la main.

5. Mettre le starter à la position de fonctionnement.
6. Si le moteur démarre, appuyer légèrement sur la gâchette d'accélération et laisser le moteur tourner pendant 60 secondes pour qu'il se réchauffe. Si le moteur ne démarre pas, tirer sur la poignée du lanceur jusqu'à ce qu'il démarre. Appuyer ensuite légèrement sur la gâchette d'accélération et laisser le moteur tourner pendant 60 secondes pour qu'il se réchauffe.



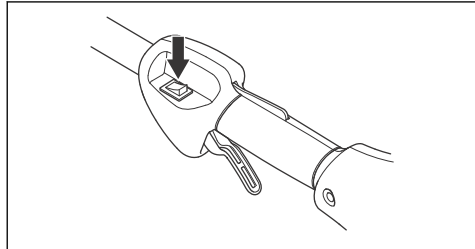
**MISE EN GARDE :** Ne pas tirer complètement le câble du lanceur et ne pas lâcher la poignée du câble du lanceur. Cela pourrait endommager le produit. Relâcher lentement la corde du démarreur.

## Démarrage d'un moteur chaud

1. Appuyer 10 fois sur la pompe à carburant.
2. Tirer sur le cordon du lanceur jusqu'à ce que le moteur démarre.

## Arrêt de la machine

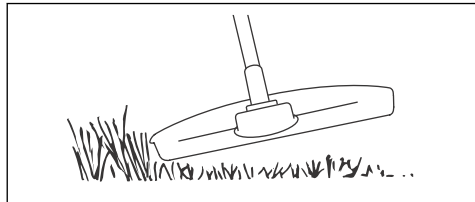
- Appuyer sur l'interrupteur pour arrêter le moteur.



**Remarque :** L'interrupteur revient automatiquement à sa position initiale.

## Tonte du gazon

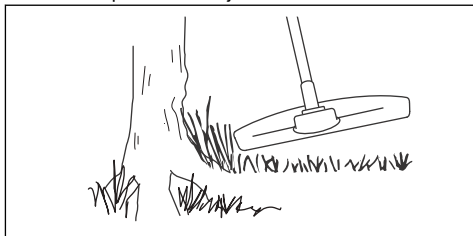
1. Tenir la tête de coupe tout juste au-dessus du sol, en l'inclinant. Ne pas appuyer le fil de coupe dans l'herbe.



2. Diminuer la longueur du fil de coupe de 10-12 cm (4-4,75 po).
3. Réduire le régime du moteur pour réduire le risque d'endommager les plantes.



- Utiliser 80 % de l'accélération lorsqu'on doit couper l'herbe à proximité d'objets.

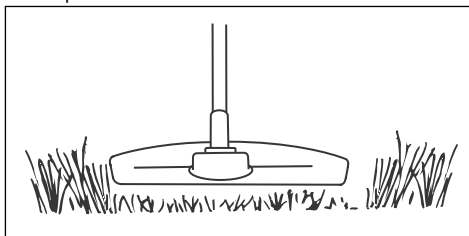


### Coupe de l'herbe au moyen d'une lame à herbe

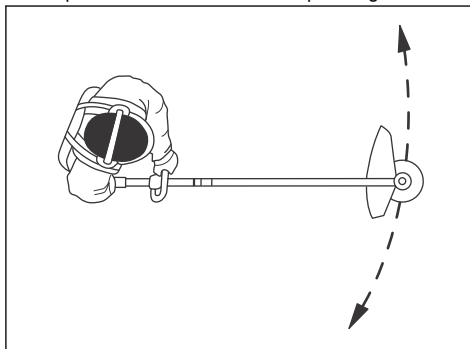
- Ne pas utiliser les lames et les couteaux à herbe pour les tiges ligneuses.
- La lame à herbe s'utilise pour tous les types d'herbe haute ou épaisse.
- Faucher l'herbe d'un mouvement de balancier latéral, le mouvement de la droite vers la gauche constituant la course aller et le mouvement de la gauche vers la droite la course de retour. Le côté gauche de la lame (entre la position 8 h et la position 12 h) effectue le travail de coupe.
- Si on penche légèrement la lame vers la gauche pendant le désherbage, l'herbe coupée est disposée en bandes, ce qui facilite le ramassage, par exemple lors du ratissage.
- Essayer d'adopter un rythme de travail régulier. Prendre une position stable, les pieds écartés. Faire un pas en avant après la course de retour et reprendre la même position stable.
- Laisser le bol de garde au sol. Son rôle est de protéger la lame contre tout contact avec le sol.
- Éviter que les matériaux s'enroulent autour de la lame en travaillant toujours à plein régime et en évitant de toucher le matériau végétal coupé lors de la course de retour.
- Arrêter le moteur, ouvrir le harnais et poser la machine par terre avant de rassembler le matériau végétal coupé.

### Pour couper l'herbe

- Pour effectuer une coupe, vérifier que le fil de coupe est parallèle au sol.



- Ne pas appuyer la tête de coupe sur le sol. Cela pourrait endommager le produit.
- Déplacer le produit d'un côté à l'autre pendant la coupe. Faire tourner le moteur à plein régime.



### Pour balayer l'herbe

Le débit d'air du fil de coupe en rotation peut être utilisé pour souffler l'herbe coupée d'une zone.

- Maintenir la tête de désherbage et le fil surélevés et parallèles au sol.
- Faire tourner le moteur à plein régime.
- Déplacer la tête de coupe d'un côté à l'autre et balayer l'herbe.



**AVERTISSEMENT:** Nettoyer le couvercle de la tête de désherbage à chaque remplacement du fil de coupe afin d'éviter un déséquilibre et des vibrations dans les poignées. En outre, vérifier les autres parties de la tête de coupe et les nettoyer au besoin.

### Tête de coupe d'herbe

- Vérifier que le fil coupe-herbe est fermement et uniformément enroulé autour du tambour; cette précaution réduit les vibrations.
- Utiliser seulement des têtes de coupe-herbe et des fils coupe-herbe homologués. Se reporter à la section *Accessoires à la page 63*.
- Utiliser un fil coupe-herbe de longueur adéquate. Un fil coupe-herbe plus long utilise plus de puissance de moteur qu'un fil coupe-herbe court.
- Vérifier que le couteau monté sur le dispositif de protection de l'outil de coupe n'est pas endommagé.
- Tremper le fil coupe-herbe dans de l'eau pendant deux jours avant de monter le fil coupe-herbe sur le produit. Cette précaution permet d'augmenter la durée de vie du fil coupe-herbe.
- Se reporter aux instructions relatives à l'équipement de coupe pour connaître la bonne façon de charger le fil et le diamètre de fil approprié.

## Entretien

### Introduction



**AVERTISSEMENT:** Avant de procéder à l'entretien, lire et bien comprendre le chapitre sur la sécurité.

Pour tous les travaux d'entretien et de réparation sur le produit, une formation spécifique est nécessaire. La disponibilité des réparations et des entretiens effectués de façon professionnelle est garantie. Si un distributeur n'est pas un agent d'entretien, communiquer avec lui pour connaître l'agent d'entretien le plus proche.

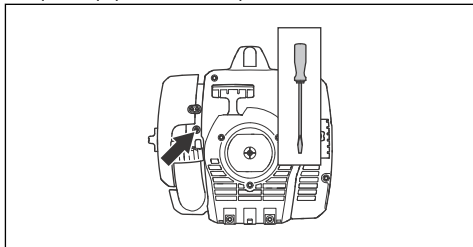
### Calendrier d'entretien

Entretien	Quotidien	Hebdo- madaire	Mensuel
Nettoyer la surface externe.	X		
Nettoyer le filtre à air. Les remplacer au besoin.	X		
Vérifier la fonction du blocage de l'accélération et la commande d'accélération.	X		
Vérifier l'interrupteur d'arrêt.	X		
Vérifier les protections	X		
Vérifier la tête de désherbage.	X		
Vérifier le contre-écrou.	X		
Vérifier pour détecter toute fuite éventuelle de carburant.	X		
S'assurer que la lame à herbe est alignée avec le centre, qu'elle est bien affûtée et qu'elle ne présente pas de dommages au niveau du tranchant ou du trou central.	X		
S'assurer que l'outil de coupe ne tourne pas au régime de ralenti.	X		
Appliquer la graisse sur l'arbre démontable.		X	
Vérifier la poignée du câble du lanceur et le câble du lanceur.		X	
Vérifier la graisse du pignon conique.		X	
Nettoyer la surface externe de la bougie. Retirer la bougie et mesurer la distance entre les électrodes. Régler la distance entre les électrodes ou remplacer la bougie.		X	
Nettoyer le système de refroidissement.		X	
Nettoyer ou remplacer l'écran pare-étincelles sur le silencieux.		X	
Nettoyer la surface externe du carburateur et ses zones adjacentes.		X	
Vérifier le filtre à carburant à la recherche de contamination.			X
Vérifier le tuyau de carburant pour détecter d'éventuels dommages.			X
Vérifier tous les câbles et toutes les connexions.			X
Vérifier l'embrayage, le ressort d'embrayage et le tambour d'embrayage à la recherche de trace d'usure.			X
Remplacer la bougie d'allumage			X

## Réglage du régime de ralenti

Vérifier que le filtre à air est propre et que le couvercle du filtre à air est fixé avant de régler le régime de ralenti.

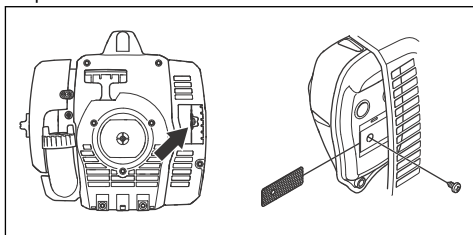
1. Tourner la vis de réglage du régime de ralenti, identifiée par un T, dans le sens horaire jusqu'à ce que l'équipement de coupe commence à tourner.



2. Tourner la vis de réglage du ralenti, identifiée par un T, dans le sens antihoraire jusqu'à ce que l'équipement de coupe cesse de tourner.
3. Le régime de ralenti doit être inférieur à la vitesse lorsque l'équipement de coupe commence à tourner. Le régime de ralenti est adéquat lorsque le moteur fonctionne sans à-coups dans toutes les positions.

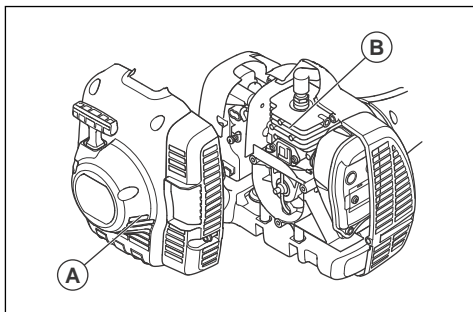
## Entretien de l'écran pare-étincelles

- Utiliser une brosse métallique pour nettoyer l'écran pare-étincelles.



## Nettoyage du système de refroidissement

- Nettoyer la prise d'air (A) sur le démarreur et les ailettes de refroidissement (B) du cylindre avec une brosse.

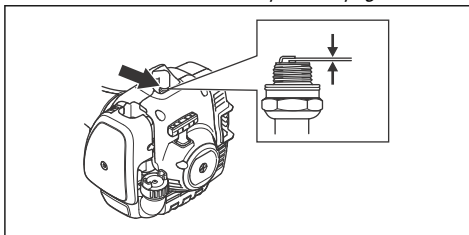


## Vérification de la bougie d'allumage



**MISE EN GARDE :** Utiliser la bougie recommandée. Vérifier que les pièces de rechange sont les mêmes que celles fournies par le fabricant. Une bougie inadéquate peut endommager l'outil. S'assurer que la bougie est installée avec un supprimeur. Pour obtenir de plus amples renseignements, communiquer avec votre centre de services.

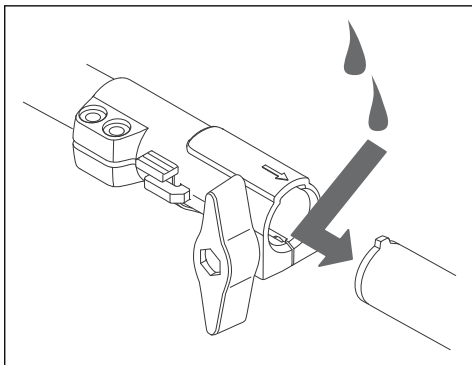
1. Vérifier la bougie d'allumage dans les cas suivants :
  - a) Le moteur manque de puissance.
  - b) Le moteur ne démarre pas facilement.
  - c) Le moteur ne fonctionne pas correctement au régime de ralenti.
2. Si le moteur n'est pas facile à démarrer ou faire fonctionner, examiner la bougie pour les matériaux indésirables. Afin de réduire le risque de matériau indésirable sur les électrodes de la bougie :
  - a) Vérifier que le régime de ralenti est réglé de façon adéquate.
  - b) Vérifier que le mélange de carburant est correct.
  - c) Vérifier que le filtre à air est propre.
3. Nettoyer la bougie si elle est sale. Vérifier que l'écartement des électrodes est correct. Se reporter à la section *Données techniques à la page 62*.



4. Remplacer la bougie d'allumage selon le besoin.

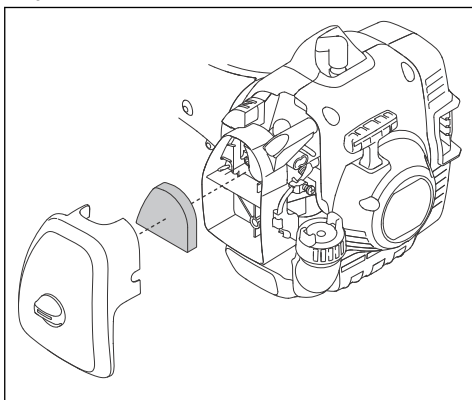
## Application de graisse sur l'arbre démontable

- Appliquer de la graisse sur l'extrémité de l'arbre d'entraînement après chaque 30 heures de fonctionnement.



## Nettoyage du filtre à air

1. Retirer le couvercle du filtre à air et retirer le filtre à air.



2. Nettoyer le filtre à air à l'eau savonneuse chaude. Vérifier que le filtre à air est sec avant de l'installer.
3. Remplacer le filtre à air s'il est trop sale pour le nettoyer entièrement. Toujours remplacer les filtres à air endommagés.
4. Si votre produit est équipé d'un filtre à air en mousse, appliquer de l'huile pour filtre à air. Appliquer seulement de l'huile pour filtre sur un filtre en mousse. Ne pas appliquer de l'huile sur un filtre en feutre.

## Application de l'huile pour filtre à air sur le filtre à air

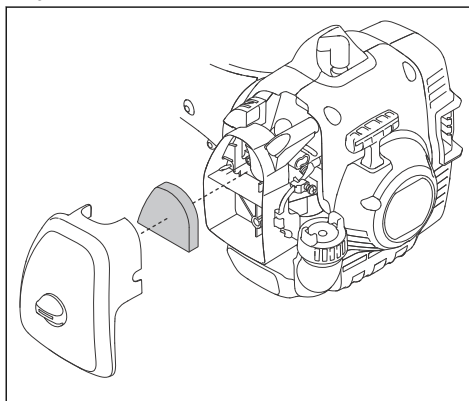


**MISE EN GARDE :** Toujours utiliser de l'huile spéciale pour filtre à air sur les filtres à air en mousse. Ne pas utiliser d'autres types d'huile.

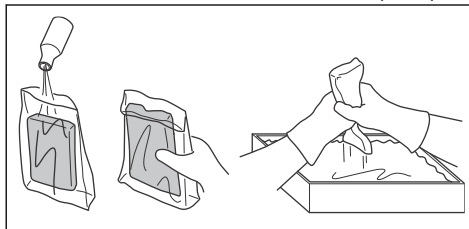


**AVERTISSEMENT :** Ne pas mettre d'huile sur le corps.

1. Retirer le couvercle du filtre à air et retirer le filtre à air.



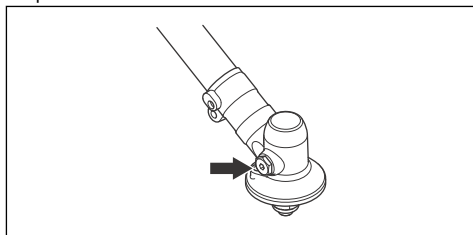
2. Placer le filtre à air dans un sac en plastique.
3. Placer l'huile du filtre à air dans le sac en plastique.



4. Appuyer le sac en plastique pour vérifier que l'huile alimente également l'ensemble du filtre à air.
5. Appuyer sur le filtre à air dans le sac, pour retirer l'huile de filtre à air qui n'est pas nécessaire. Retirer le filtre à air de son emballage.
6. Installer le filtre à air.

## Ajouter de la graisse au pignon conique

- Vérifier que le renvoi d'angle est rempli de graisse pour renvoi au 3/4.




---

## Dépannage

---

### Le moteur ne démarre pas.

Vérifier	Cause possible	Procédure
Cliquets de lanceur à rappel.	Les cliquets de lanceur à rappel ne peuvent se déplacer librement.	Retirer le couvercle du démarreur et nettoyer autour des cliquets de lanceur à rappel.
		Communiquer avec un centre de service agréé pour obtenir de l'aide.
Réservoir de carburant.	Type de carburant inapproprié.	Vidanger le réservoir de carburant et faire le plein avec le carburant correct.
Bougie d'allumage.	La bougie d'allumage est sale ou humide.	S'assurer que la bougie est propre et sèche.
	L'écartement des électrodes de la bougie d'allumage est incorrect.	Nettoyer la bougie d'allumage. Vérifier que l'écartement des électrodes est correct. S'assurer que la bougie d'allumage est dotée d'un supprimeur.
	La bougie d'allumage est desserrée.	Serrer la bougie d'allumage.
		Se reporter à la section <i>Données techniques</i> à la page 62 pour connaître la distance adéquate entre les électrodes.

### Le moteur démarre mais s'arrête à nouveau

Vérifier	Cause possible	Procédure
Réservoir de carburant	Type de carburant inapproprié.	Vider le réservoir de carburant et faire le plein avec le carburant correct.
Filtre à air	Le filtre à air est bouché.	Nettoyer le filtre à air.

## Transport et entreposage

- Toujours laisser l'appareil refroidir avant de l'entreposer.
  - Pour le stockage et le transport du produit et du carburant, s'assurer qu'il n'y a pas de fuite ou de vapeur. Les étincelles ou les flammes nues, par exemple avec des appareils électriques ou des chaudières, peuvent déclencher un incendie.
  - Utiliser toujours des contenants agréés pour entreposer ou transporter le carburant.
  - Vider les réservoirs de carburant avant tout transport ou remisage pendant une période prolongée. Mettre
- au rebut le carburant à un emplacement de mise au rebut adéquat.
  - Fixer la protection de transport pendant le transport et le stockage.
  - Retirer le chapeau de la bougie.
  - Fixer le produit pendant le transport. S'assurer qu'il ne puisse pas bouger.
  - Nettoyer et entretenir le produit avant de le remettre pour une période prolongée.

## Données techniques

### Données techniques

	122C	122LK
<b>Moteur</b>		
Cylindrée, po <sup>3</sup> /cm <sup>3</sup>	1,32/21,7	1,32/21,7
Régime de ralenti, tr/min	2900	2900
Régime maximal recommandé, tr/min	7200	9100
Régime de l'arbre de sortie, tr/min	7200	6232
Puissance/sortie max. du moteur, conformément à la norme ISO 8893, kW/hp à tr/min	0,6/0,8 @ 7 800	0,6/0,8 @ 7 800
Silencieux du pot catalytique	Oui	Oui
Système d'allumage à régime régulé	Non	Non
Durabilité des émissions selon la commission californienne chargée de la qualité de l'air (California Air Resources Board), h.	50	50
<b>Système d'allumage</b>		
Bougie d'allumage	HQT-4 672201	HQT-4 672201
Écartement des électrodes, po/mm	0,02/0,5	0,02/0,5
<b>Circuit d'alimentation</b>		
Capacité du réservoir de carburant, pte US/ l	0,63/0,3	0,63/0,3
<b>Poids</b>		
Poids sans carburant, équipement de coupe et protections, lb/kg	9,7/4,4	10,6/4,8
<b>Émissions sonores<sup>7</sup></b>		

<sup>7</sup> Émission du bruit dans l'environnement mesurée en tant que puissance acoustique (L<sub>WA</sub>) conforme à la directive européenne 2000/14/CE. La puissance sonore reportée pour le produit a été mesurée avec l'outil de coupe d'origine qui fournit le niveau le plus élevé. La puissance sonore garantie diffère du niveau mesuré en cela qu'elle prend également en compte la dispersion et les variations entre plusieurs produits du même modèle, conformément à la directive 2000/14/CE.

	<b>122C</b>	<b>122LK</b>
Niveau de puissance acoustique, mesuré, dB(A)	102	104
Niveau de puissance acoustique garanti ( $L_{WA}$ ), dB(A)	104	108
<b>Niveaux de bruit<sup>8</sup></b>		
Niveau de pression sonore équivalent à l'oreille de l'utilisateur mesuré selon la norme EN ISO 11806 et ISO 22868, dB(A) :	88	90
<b>Niveaux de vibrations<sup>9</sup></b>		
Niveau de vibration équivalent (vibrations main-bras, éq.), avec tête de coupe, poignée gauche, $m/s^2$	5,0	3,6
Niveau de vibration équivalent (vibrations main-bras, éq.), avec tête de coupe, poignée droite, $m/s^2$	3,6	3,5

---

## Accessoires

---

### Accessoires

<b>122C</b>		
<b>Accessoires homologués</b>	<b>Type</b>	<b>Protection de l'outil de coupe</b>
Arbre fileté	3/8 R	–
Tête de coupe	T25 (fil de 2,0 à 2,7 mm de diam.)	574 47 95-01
	T25C (fil de 2,0 à 2,7 mm de diam.)	574 47 95-01
<b>122LK</b>		
<b>Accessoires homologués</b>	<b>Type</b>	<b>Protection de l'outil de coupe</b>
Arbre fileté	M10	–
Tête de coupe	T25 (fil de 2,0 à 2,7 mm de diam.)	574 19 87-01

Les accessoires suivants sont recommandés pour les modèles indiqués.

<b>Accessoires homologués</b>	<b>Numéro d'article</b>	<b>Utilisation avec</b>
Accessoire de balayeuse avec arbre SR600	537 19 67-01	122LK
Accessoire de taille-haie avec arbre HA 850	537 19 66-06	122LK
Coupe-bordure avec arbre	537 19 69-01	122LK

<sup>8</sup> Les données signalées pour le niveau de pression sonore équivalent du produit présentent une dispersion statistique type (écart standard) de 1 dB (A).

<sup>9</sup> Les données signalées pour le niveau de vibration équivalent présentent une dispersion statistique type (écart standard) de 1  $m/s^2$ .

<b>Accessoires homologués</b>	<b>Numéro d'article</b>	<b>Utilisation avec</b>
Accessoire de sciage avec arbre PA 1100	537 18 33-16	122LK
Accessoire de sciage sans arbre PA	537 18 33-11	122LK
Accessoire de rotoculteur avec arbre CA 150	537 42 54-01	122LK
Accessoire de coupe-herbe avec arbre TA 850	537 35 35-01	122LK
Accessoire de rotoculteur avec arbre CAC	952 71 19-07	122LK
Accessoire de taille-bordures EAC	952 71 19-08	122LK
Accessoire de tronçonneuse à perche PAC	952 71 19-10	122LK
Accessoire pour aspiro-souffleur BAC	952 71 19-11	122LK



---

## Garantie

---

### **DÉCLARATION DE GARANTIE DU SYSTÈME DE CONTRÔLE DES ÉMISSIONS D'ÉCHAPPEMENT ET D'ÉVAPORATION CONFORME AUX EXIGENCES LÉGALES DES ÉTATS-UNIS, DE LA CALIFORNIE ET DU CANADA**

#### **VOS DROITS ET OBLIGATIONS EN VERTU DE LA GARANTIE**

Le California Air Resources Board (CARB), l'U.S. Environmental Protection Agency (EPA), Environnement et Changement climatique Canada et Husqvarna Professional Products, Inc. vous présentent la garantie du système de contrôle des émissions d'échappement et d'évaporation (les « émissions ») qui protège votre petit moteur hors route 2020-2021\*. En Californie, l'équipement neuf équipé d'un petit moteur hors-route doit être conçu, fabriqué et équipé de manière à répondre aux strictes normes antipollution de l'État. Husqvarna Professional Products, Inc. doit garantir les systèmes de contrôle des émissions de votre petit moteur hors route pendant les périodes figurant sur la liste ci-dessous à condition que votre petit moteur hors route ou tout autre équipement ne présente aucun signe d'abus, de négligence ou d'entretien inapproprié menant à la défaillance du système de contrôle des émissions. Votre système de contrôle des émissions peut comprendre différentes pièces comme un carburateur, un système d'injection de carburant, un système d'allumage, un pot catalytique, des réservoirs de carburant, des conduites de carburant (pour le carburant liquide et les vapeurs de carburant), des bouchons de réservoir de carburant, des soupapes, des réservoirs à charbon actif, des filtres, des colliers et d'autres composants associés. Il peut aussi comprendre des flexibles, de courroies, des raccords et d'autres pièces liées aux émissions. En cas de problème couvert par la garantie, Husqvarna Professional Products, Inc. répare votre petit moteur hors route sans frais, diagnostic, pièces et main-d'œuvre compris.

#### **COUVERTURE DE LA GARANTIE DU FABRICANT**

Le système de contrôle des émissions d'échappement et d'évaporation pour petit moteur hors route est garanti deux ans. Si une pièce de votre petit moteur hors route liée aux émissions est défectueuse, elle doit alors être réparée ou remplacée par Husqvarna Professional Products, Inc..

#### **RESPONSABILITÉS DU PROPRIÉTAIRE EN VERTU DE LA GARANTIE**

- À titre de propriétaire d'un petit moteur hors route, vous êtes tenu d'effectuer l'entretien obligatoire indiqué dans le manuel de l'utilisateur. Husqvarna

Professional Products, Inc. vous recommande de conserver tous les reçus relatifs à l'entretien de votre petit moteur hors route, mais Husqvarna Professional Products, Inc. ne peut pas refuser l'application de la garantie pour la seule raison de l'absence de reçus ou du non-respect du calendrier de maintenance.

- En tant que propriétaire d'un petit moteur hors route, vous devez savoir que Husqvarna Professional Products, Inc. peut vous refuser la couverture de la garantie si votre petit moteur hors route ou une pièce est défaillant en raison d'un abus, de négligence, d'un entretien inapproprié ou de modifications non approuvées.
- Vous devez présenter votre petit moteur hors route à un centre de réparation Husqvarna Professional Products, Inc. agréé dès que le problème se manifeste. Les réparations couvertes par la garantie seront effectuées dans un délai raisonnable qui n'excèdera pas 30 jours. Pour toute question relative à vos droits et responsabilités relativement à votre garantie, communiquer avec Husqvarna Professional Products, Inc. au CANADA au 1-800-805-5523 ou aux ÉTATS-UNIS au 1-800-487-5951, ou alors envoyer un courriel à l'adresse [emissions@husqvarnagroup.com](mailto:emissions@husqvarnagroup.com) ou [warranty@hpp-emissions.com](mailto:warranty@hpp-emissions.com).

#### **DATE D'ENTRÉE EN VIGUEUR DE LA GARANTIE**

La période de garantie commence à la date à laquelle le moteur ou le matériel est livré à l'acheteur final.

#### **DURÉE DE LA COUVERTURE**

Husqvarna Professional Products, Inc. garantit au dernier acheteur et à chacun des propriétaires suivants que le petit moteur ou l'équipement hors route a été conçu, construit et équipé dans le respect de toutes les réglementations applicables édictées par l'EPA et le CARB et est exempt de tout défaut matériel ou de fabrication pouvant provoquer la panne d'une pièce garantie pendant une période de deux ans.

#### **ÉLÉMENTS COUVERTS**

##### **RÉPARATION OU REMPLACEMENT DES PIÈCES :**

La réparation ou le remplacement de toute pièce garantie qui est défectueuse sera effectué sans frais dans un centre de services agréé par la marque. À l'exclusion des réparations et des remplacements couverts par la présente garantie, il est possible de choisir un atelier de réparation ou toute autre personne pour entretenir, remplacer ou réparer les dispositifs et systèmes de contrôle des émissions. Cependant, Husqvarna Professional Products, Inc. recommande que toutes les opérations d'entretien, de remplacement et de réparation des dispositifs et systèmes de contrôle des émissions soient effectuées dans un centre de services agréé par la marque.

**IMPORTANT :** Le présent produit est conforme à la réglementation de la Phase 3 de l'Environmental Protection Agency (EPA) des États-Unis en ce qui concerne les émissions d'échappement et d'évaporation. Afin de garantir le respect des règlements de l'EPA Phase 3 des États-Unis, du California Air Resources Board et d'Environnement et Changement climatique Canada, nous recommandons d'utiliser uniquement des pièces de rechange de la marque du produit d'origine. L'utilisation de pièces de rechange non conformes est une infraction à la législation fédérale et à celle de certains États.

**PÉRIODE DE GARANTIE :** Toute pièce garantie dont le remplacement n'est pas prévu dans le cadre du programme d'entretien obligatoire ou dont la seule mesure prévue est l'inspection régulière avec « réparation ou remplacement au besoin » est garantie pendant deux ans (ou pendant la durée stipulée dans la garantie du produit, selon la période la plus longue) à compter de sa date d'achat par l'acheteur initial. Toute pièce garantie dont le remplacement est prévu par le calendrier d'entretien obligatoire est garantie pendant la période écoulée jusqu'au premier remplacement prévu de la pièce. Toute pièce réparée ou remplacée en vertu de la garantie est couverte pendant la période de garantie restante.

**DIAGNOSTIC :** Vous n'avez pas à payer pour le diagnostic permettant de conclure que la pièce garantie est défectueuse, à condition qu'un tel diagnostic soit effectué dans un atelier d'entretien agréé.

**AUTRES DOMMAGES :** Husqvarna Professional Products, Inc. réparera les autres composants du moteur endommagés par suite de la défaillance d'une pièce sous garantie.

#### **LISTE DES PIÈCES COUVERTES PAR LA GARANTIE DE CONTRÔLE DES ÉMISSIONS**

1. Pièces du carburateur et du système d'admission ou système d'injection.
2. Filtre à air et filtre à carburant couverts dans la limite du calendrier d'entretien.
3. Bougies d'allumage couvertes dans la limite du calendrier d'entretien.
4. Module d'allumage.
5. Silencieux avec catalyseur et collecteurs d'échappement.
6. Réservoir de carburant, conduites de carburant (pour le carburant et les vapeurs de carburant), bouchon de réservoir, réservoir à charbon actif, clapet antiretour en cas de retournement et clapets antibalotement si applicable.
7. Commandes électroniques, soupapes et interrupteurs sensibles au vide, à la température et au temps.
8. Flexibles, raccords et ensembles.
9. Tous les autres composants, dont la défaillance augmenterait les émissions d'échappement et d'évaporation d'un polluant quelconque par le moteur, comme énoncé ci-dessous :

- Pour la Californie, voir le California Code of Regulations, 13 CCR §2405(d) et 2760(d).
- Pour les États-Unis et le Canada, se reporter au US Federal Code of Regulations, 40 C.F.R 1068 Appendix I (iii).

#### **ÉLÉMENTS NON COUVERTS**

Toutes les pannes dues à un abus, à de la négligence, à des modifications non approuvées, à une utilisation ou à un entretien inadéquat ne sont pas couvertes.

#### **PIÈCES COMPLÉMENTAIRES OU MODIFIÉES**

Aucune pièce complémentaire ou modifiée non affranchie par la CARB ou l'EPA ne peut être utilisée. L'utilisation de pièces complémentaires ou modifiées non exemptées est un motif suffisant pour rejeter une demande d'indemnisation. Husqvarna Professional Products, Inc. n'a pas la responsabilité de garantir les pannes de pièces garanties provoquées par l'utilisation d'une pièce complémentaire ou modifiée non affranchie.

#### **COMMENT PRÉSENTER UNE DEMANDE D'INDEMNISATION**

Pour toute question relative à vos droits et responsabilités relativement à la garantie, communiquer avec le centre de services agréé le plus proche, appeler Husqvarna Professional Products, Inc. aux ÉTATS-UNIS au 1-800-487-5951, au CANADA au 1-800-805-5523, ou bien envoyer un courriel à l'adresse [emissions@husqvarnagroup.com](mailto:emissions@husqvarnagroup.com) ou [warranty@hqp-emissions.com](mailto:warranty@hqp-emissions.com).

#### **OÙ JOINDRE LE SERVICE DE GARANTIE?**

Les services de garantie ou de réparation sont assurés par tous les ateliers d'entretien Husqvarna Professional Products, Inc. agréés. Si le centre de réparation agréé le plus près se trouve à plus de 160 kilomètres de votre emplacement, Husqvarna Professional Products, Inc. arrangerait et paierait la livraison aller-retour vers un centre de réparation agréé par la marque ou arrangerait autrement la prestation du service au titre de la garantie, en conformité avec les règlements applicables.

#### **ENTRETIEN, REMPLACEMENT ET RÉPARATION DES PIÈCES RELATIVES AUX ÉMISSIONS**

Toute pièce de remplacement peut être utilisée pour procéder à un entretien ou à une réparation sous garantie et elle sera fournie sans frais pour le propriétaire. Un tel remplacement n'a pas pour effet de réduire les obligations du fabricant relativement à la garantie.

#### **ATTESTATION D'ENTRETIEN**

Le propriétaire est tenu de respecter l'entretien obligatoire prévu dans le manuel de l'utilisateur.

\* L'année modèle courante et subséquente sera mise à jour annuellement dans la déclaration de garantie fournie au consommateur. Par exemple, 2012-2013 sera spécifié pour l'année modèle 2012.

\*\* Pièces liées aux émissions par évaporation.



Original instructions  
Instrucciones originales  
Instructions d'origine

1142107-49



2020-09-25